







Replacement Parts & Repair Kits

Table of Contents

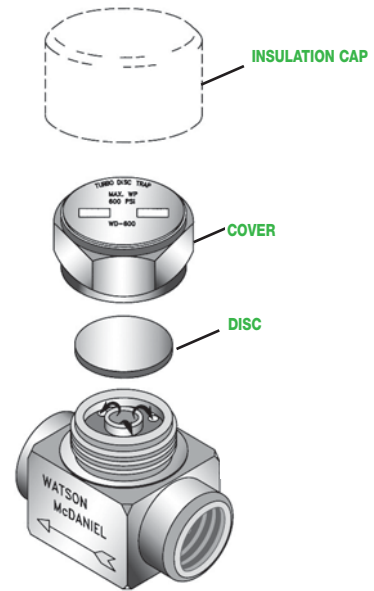
			Page No.
 STEAM TRAPS	Thermodynamic	TD600	376
		TD600S	376
		TD700S	377
		TD900S	377
		TD3600	377
	Float & Thermostatic	WFT	378
		FTT	380
		FTE/FTES	381
		FT	382
		FT600/FT601	384
	Inverted Bucket	IB	386
	Thermostatic	WT2500	388
		WT3000 & WT4000	388
		WT5000	388
	Radiator Thermostatic	TA25B & TA125	389
		TS25B & TS125	389
Clean Steam Traps	FDA300, FDA400 & FDA500	389	
	FDA600	389	
	FDA800	389	
 PUMPS	Rebuilt Mechanism Assemblies	PMPC, PMPF, PMPLS, PMPT	390
	New Assemblies & Parts	PMPM, PMPF, PMPC, PMPLS, PMPBP	391
	Parts & Kits	PMPT & PMPNT	392
 PRESSURE & TEMPERATURE REGULATORS	Pilot-Operated Valves	HD Regulator	393
	Pilots for HD Regulators	PP, PP5, PBP, PDP	394
		PA, PT, PTU	395
	Pilot-Operated Valves	HSP Regulator & Pilots	396
	Direct-Operated Regulating Valves	O-Series, B-Series	397
		455 Series, 402 & 403 Series	398
	Relief & Back Pressure Valves	10691 & 3040 Series	399
Control Valve	HB Series	399	
 LIQUID DRAINERS & AIR ELIMINATORS	Liquid Drainers	WLD1500	400
		WLD1600	400
		WLDE, WLDES	401
		WLD1400, WLD1900	401
		WLD600, WLD601	402
		WLD1800R	403
	Air Eliminators	AV813/AE1800R	403

Steam Traps

Replacement Parts & Kits for Thermodynamic Steam Traps

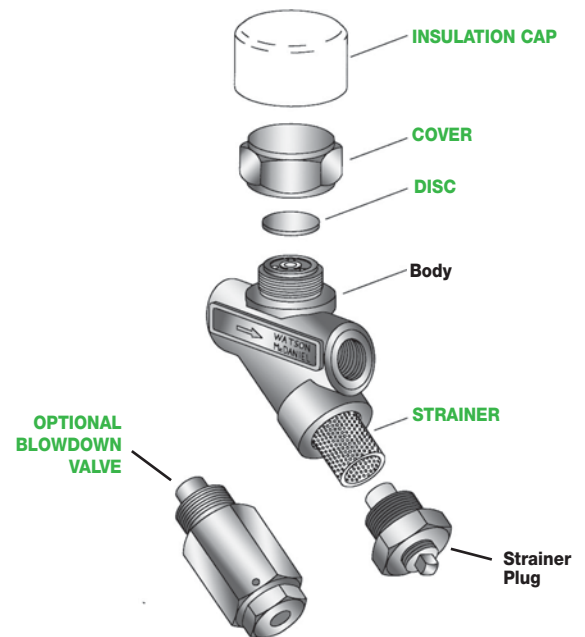
TD600 Series Thermodynamic Steam Trap Parts & Kits

Size	For Models	Item	Order #
3/8" 1/2"	TD600 TD600L	Disc	1495500
		Cover	1495600
		Insul-cap	W-INSUL-CAP-11
1/2" 3/4"	TD600 TD600L	Disc	1495800
		Cover	1495900
		Insul-cap	W-INSUL-CAP-12
3/4"	TD600	Disc	1496100
		Cover	1496200
		Insul-cap	W-INSUL-CAP-13
1"	TD600	Disc	1496400
		Cover	1496500
		Insul-cap	W-INSUL-CAP-14



TD600S Series Thermodynamic Steam Trap Parts & Kits

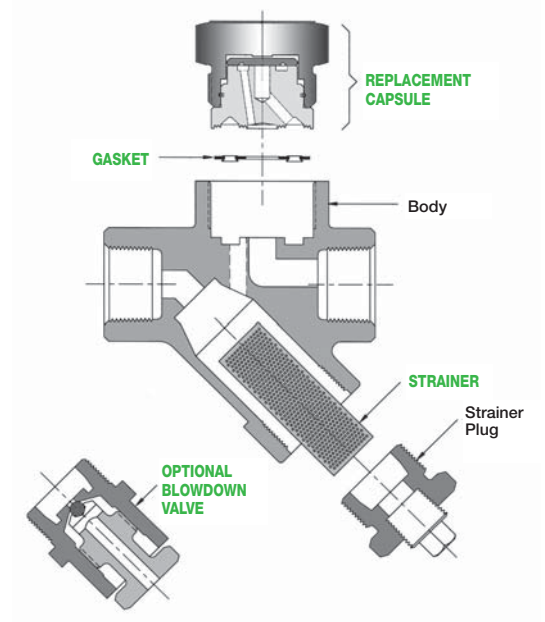
Size	For Models	Item	Order #
1/2" 1"	TD600LS/LSB TD600LS/LSB	Disc	1495500
		Cover	1495600
		Insul-cap	W-INSUL-CAP-11
1/2" 3/4"	TD600S/SB TD600LS/LSB	Disc	1495800
		Cover	1495900
		Insul-cap	W-INSUL-CAP-12
3/4"	TD600S/SB	Disc	1496100
		Cover	1496200
		Insul-cap	W-INSUL-CAP-13
All TD600S Series		Screen	1532002
All TD600SB/LSB		Blowdown Valve Assembly	WBLDNVLV-TRAPS



TD700S Series Thermodynamic Steam Trap Parts & Kits

Size	For Models	Items	Order #
1/2", 3/4", 1"	TD700S/SB	Repair Kit: (1) trap capsule (1) capsule gasket	W-KIT-WD700
1/2", 3/4", 1"	TD700HS/HSB	Repair Kit: (1) trap capsule (1) capsule gasket	W-KIT-WD700H
1/2", 3/4", 1"	TD700S Series TD700SB/HSB	(1) Strainer Screen	1532002
		(1) Blowdown Valve Assembly	WBLDNVLV-TRAPS

Cross Reference: Yarway Replacement Capsule 721/721H

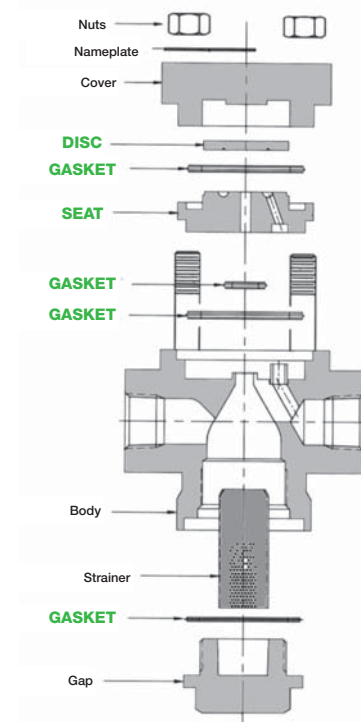


TD900S Series Thermodynamic Steam Trap Parts & Kits

Size	For Models	Items	Order #
1/2", 3/4", 1"	TD900S	Insulation Cap	W-INSUL-WD900S
		Seat & Disc Assembly Kit	W-KIT-900-SDA
1/2", 3/4", 1"	TD900LS	Insulation Cap	W-INSUL-WD900S
		Seat & Disc Assembly Kit	W-KIT-900L-SDA

Seat & Disc Assembly Kit consists of:

- (1) disc
- (1) seat
- (4) gaskets



TD3600 Series High-pressure Thermodynamic Steam Trap Parts & Kits

Size	For Model	Repair Kit	Kit Order #
1/2", 3/4", 1"	TD3600	Seat, Disc, Screen, Gaskets	W-KIT-3600

Steam Traps

Replacement Parts & Kits for Float & Thermostatic Steam Traps

WFT Series Float & Thermostatic Steam Trap Parts & Kits

Thermostat Kit:

- (1) welded stainless steel thermostat
- (1) thermostat gasket.

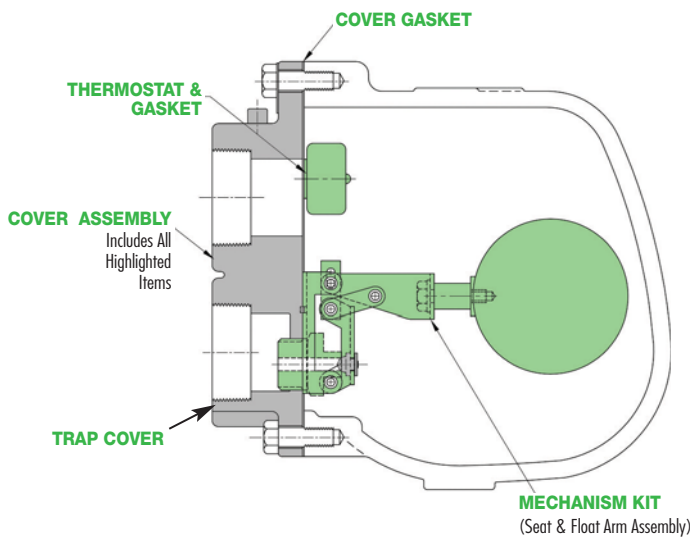
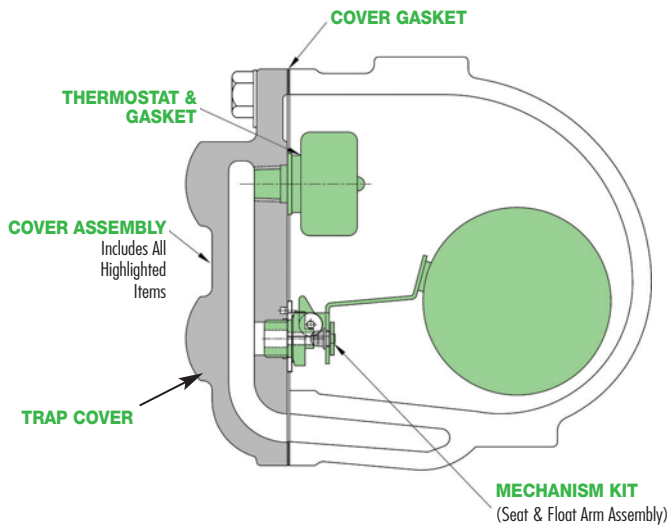
Mechanism Kit: (does not include thermostat & cover gasket)

- (1) seat & float arm assembly

Cover Assembly Kit: (consists of all internal components below, assembled to trap cover)

- (1) mechanism kit
- (1) thermostat kit
- (1) cover gasket

*The repair parts for the WFT Series F&T Traps are also used in the **WLD1900 Liquid Drainer**.
Note: No thermostat required in the WLD1900.



* Repair Parts for WLD1900 Liquid Drainer – 15 PSIG (PMO)

Model	Size #	Order	Item
WFT-015 • 15 PSI	3/4"	W-KIT-3-32	Cover Gasket
		W-KIT-4-12	Thermostat Kit
		W-KIT-6-57	Mechanism Kit
		W-KIT-7-30	Cover Assembly Kit
	1"	W-KIT-3-32	Cover Gasket Kit
		W-KIT-4-12	Thermostat Kit
		W-KIT-6-57	Mechanism Kit
	1 1/4"	W-KIT-7-30	Cover Assembly Kit
		W-KIT-3-32	Cover Gasket
		W-KIT-4-12	Thermostat Kit
		W-KIT-6-58	Mechanism Kit
	1 1/2"	W-KIT-7-30-15	Cover Assembly Kit
W-KIT-3-22		Cover Gasket	
W-KIT-4-12		Thermostat Kit	
W-KIT-6-59		Mechanism Kit	
2"	W-KIT-7-31	Cover Assembly Kit	
	W-KIT-3-18	Cover Gasket	
	W-KIT-4-12	Thermostat Kit	
	W-KIT-6-60	Mechanism Kit	
2"	W-KIT-7-32	Cover Assembly Kit	
	W-KIT-3-18	Cover Gasket	
	W-KIT-4-12	Thermostat Kit	
	W-KIT-6-60	Mechanism Kit	

* Repair Parts for WLD1900 Liquid Drainer – 30 PSIG (PMO)

Model	Size #	Order	Item
WFT-030 • 30 PSI	3/4"	W-KIT-3-32	Cover Gasket
		W-KIT-4-12	Thermostat Kit
		W-KIT-6-61	Mechanism Kit
		W-KIT-7-33	Cover Assembly Kit
	1"	W-KIT-3-32	Cover Gasket
		W-KIT-4-12	Thermostat Kit
		W-KIT-6-61	Mechanism Kit
	1 1/4"	W-KIT-7-33	Cover Assembly Kit
		W-KIT-3-32	Cover Gasket
		W-KIT-4-12	Thermostat Kit
		W-KIT-6-61	Mechanism Kit
	1 1/2"	W-KIT-7-33	Cover Assembly Kit
W-KIT-3-22		Cover Gasket	
W-KIT-4-12		Thermostat Kit	
W-KIT-6-62		Mechanism Kit	
2"	W-KIT-7-34	Cover Assembly Kit	
	W-KIT-3-18	Cover Gasket	
	W-KIT-4-12	Thermostat Kit	
	W-KIT-6-63	Mechanism Kit	
2"	W-KIT-7-35	Cover Assembly Kit	
	W-KIT-3-18	Cover Gasket	
	W-KIT-4-12	Thermostat Kit	
	W-KIT-6-63	Mechanism Kit	

WFT Series (continued)

* Repair Parts for WLD1900 Liquid Drainer – 90 PSIG (PMO)

Model	Size	Order #	Item
WFT-075 • 75 PSI	3/4"	W-KIT-3-32	Cover Gasket
		W-KIT-4-12	Thermostat Kit
		W-KIT-6-64	Mechanism Kit
		W-KIT-7-36	Cover Assembly Kit
	1"	W-KIT-3-32	Cover Gasket
		W-KIT-4-12	Thermostat Kit
		W-KIT-6-64	Mechanism Kit
		W-KIT-7-36	Cover Assembly Kit
	1 1/4"	W-KIT-3-22	Cover Gasket
		W-KIT-4-12	Thermostat Kit
		W-KIT-6-65	Mechanism Kit
		W-KIT-7-37-15	Cover Assembly Kit
	1 1/2"	W-KIT-3-22	Cover Gasket
		W-KIT-4-12	Thermostat Kit
		W-KIT-6-65	Mechanism Kit
		W-KIT-7-37	Cover Assembly Kit
2"	W-KIT-3-18	Cover Gasket	
	W-KIT-4-12	Thermostat Kit	
	W-KIT-6-66	Mechanism Kit	
	W-KIT-7-38	Cover Assembly Kit	

* Repair Parts for WLD1900 Liquid Drainer – 200 PSIG (PMO)

Model	Size	Order #	Item
WFT-175 • 175 PSI	3/4"	W-KIT-3-22-1	Cover Gasket
		W-KIT-4-18	Thermostat Kit
		W-KIT-6-70	Mechanism Kit
		W-KIT-7-42	Cover Assembly Kit
	1"	W-KIT-3-22-1	Cover Gasket
		W-KIT-4-18	Thermostat Kit
		W-KIT-6-70	Mechanism Kit
		W-KIT-7-43	Cover Assembly Kit
	1 1/4"	W-KIT-3-22-1	Cover Gasket
		W-KIT-4-18	Thermostat Kit
		W-KIT-6-71	Mechanism Kit
		W-KIT-7-44	Cover Assembly Kit
	1 1/2"	W-KIT-3-22-1	Cover Gasket
		W-KIT-4-18	Thermostat Kit
		W-KIT-6-71	Mechanism Kit
		W-KIT-7-45	Cover Assembly Kit
2"	W-KIT-3-18	Cover Gasket	
	W-KIT-4-18	Thermostat Kit	
	W-KIT-6-72	Mechanism Kit	
	W-KIT-7-46	Cover Assembly Kit	

* Repair Parts for WLD1900 Liquid Drainer – 150 PSIG (PMO)

Model	Size	Order #	Item
WFT-125 • 125 PSI	3/4"	W-KIT-3-32	Cover Gasket
		W-KIT-4-12-125	Thermostat Kit
		W-KIT-6-67	Mechanism Kit
		W-KIT-7-39	Cover Assembly Kit
	1"	W-KIT-3-32	Cover Gasket
		W-KIT-4-12-125	Thermostat Kit
		W-KIT-6-67	Mechanism Kit
		W-KIT-7-39	Cover Assembly Kit
	1 1/4"	W-KIT-3-22	Cover Gasket
		W-KIT-4-12-125	Thermostat Kit
		W-KIT-6-68	Mechanism Kit
		W-KIT-7-40-15	Cover Assembly Kit
	1 1/2"	W-KIT-3-22	Cover Gasket
		W-KIT-4-12-125	Thermostat Kit
		W-KIT-6-68	Mechanism Kit
		W-KIT-7-40	Cover Assembly Kit
2"	W-KIT-3-18	Cover Gasket	
	W-KIT-4-18	Thermostat Kit	
	W-KIT-6-69	Mechanism Kit	
	W-KIT-7-41	Cover Assembly Kit	

* Repair Parts for WLD1900 Liquid Drainer – 250 PSIG (PMO)

Model	Size	Order #	Item
WFT-250 • 250 PSI	3/4"	W-KIT-3-22-1	Cover Gasket
		W-KIT-4-18	Thermostat Kit
		W-KIT-6-73	Mechanism Kit
		W-KIT-7-47	Cover Assembly Kit
	1"	W-KIT-3-22-1	Cover Gasket
		W-KIT-4-18	Thermostat Kit
		W-KIT-6-73	Mechanism Kit
		W-KIT-7-48	Cover Assembly Kit
	1 1/4"	W-KIT-3-22-1	Cover Gasket
		W-KIT-4-18	Thermostat Kit
		W-KIT-6-74	Mechanism Kit
		W-KIT-7-49	Cover Assembly Kit
	1 1/2"	W-KIT-3-22-1	Cover Gasket
		W-KIT-4-18	Thermostat Kit
		W-KIT-6-75	Mechanism Kit
		W-KIT-7-50	Cover Assembly Kit
2"	W-KIT-3-18	Cover Gasket	
	W-KIT-4-18	Thermostat Kit	
	W-KIT-6-76	Mechanism Kit	
	W-KIT-7-51	Cover Assembly Kit	

Steam Traps

Replacement Parts & Kits for Float & Thermostatic Steam Traps

*The repair parts for the FTT Series F&T Traps are also used in the **WLD1400 Liquid Drainer**.
Note: No thermostat required in the WLD1400.

FTT Series Float & Thermostatic Steam Trap Parts & Kits

Thermostat Kit:

- (1) welded stainless steel thermostat
- (1) thermostat gasket

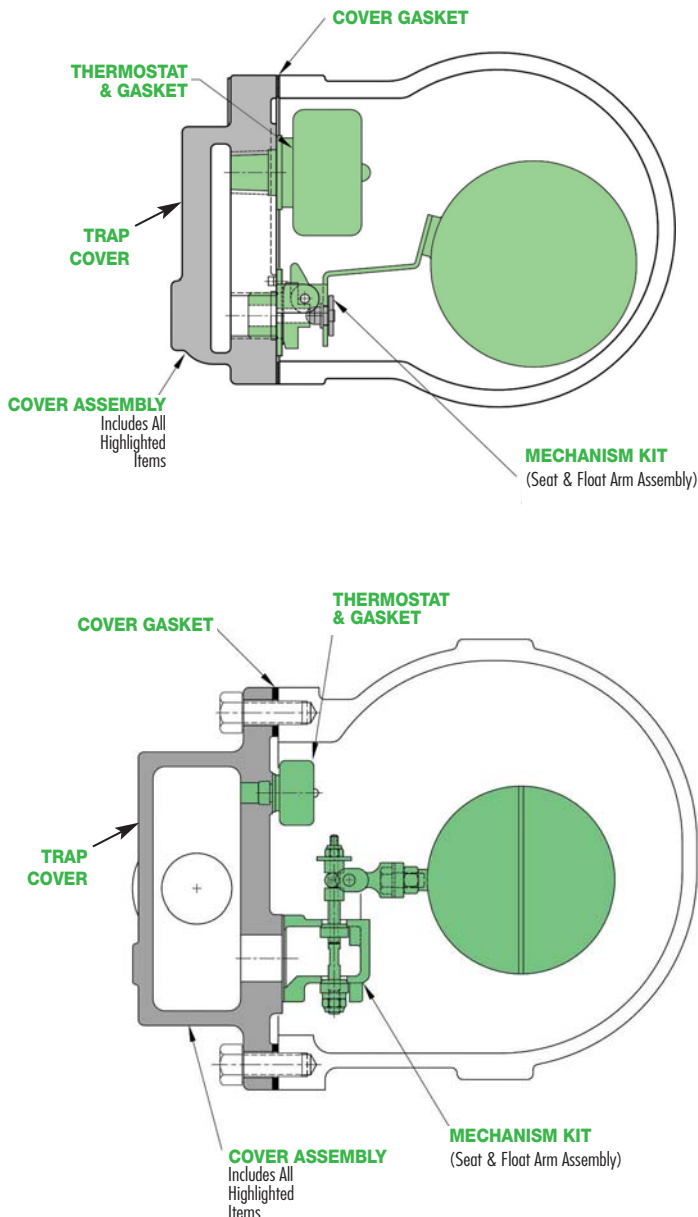
Mechanism Kit: (does not include thermostat & cover gasket)

- (1) seat & float arm assembly

Cover Assembly Kit:

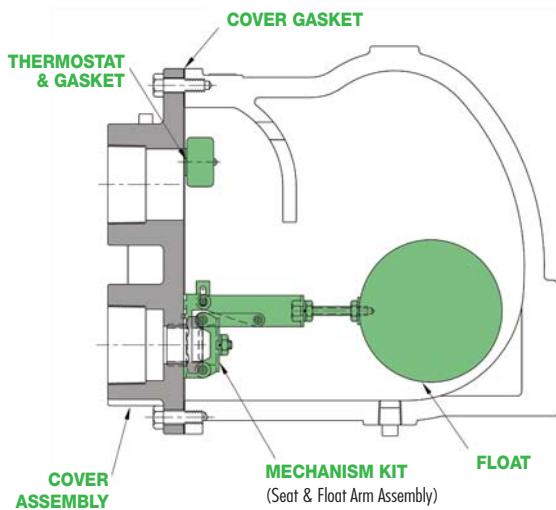
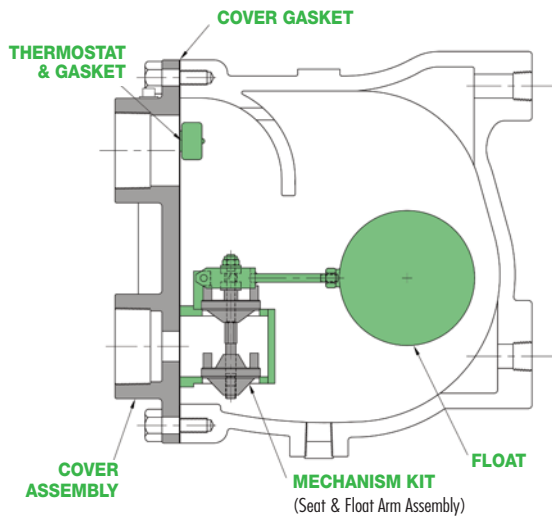
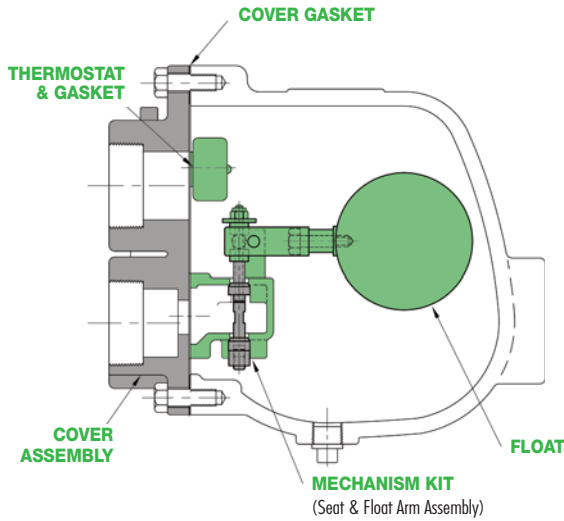
(consists of All internal components below, assembled to trap cover)

- (1) mechanism kit
- (1) thermostat kit
- (1) cover gasket



Model	Size	Order #	Description	
FTT-065 • 65 PSI	1/2" 3/4"	W-KIT-3-33	Cover Gasket	
		W-KIT-4-12	Thermostat Kit	
		W-KIT-6-55-065	Mechanism Kit	
	1"	W-KIT-7-21-065	Cover Assembly Kit	
		W-KIT-3-31	Cover Gasket	
		W-KIT-4-12	Thermostat Kit	
	1 1/2"	W-KIT-6-56-065	Mechanism Kit	
		W-KIT-7-22-065	Cover Assembly Kit	
		W-KIT-3-34	Cover Gasket	
	2"	W-KIT-4-12	Thermostat Kit	
		W-KIT-6-57-065	Mechanism Kit	
		W-KIT-7-52-065	Cover Assembly Kit	
FTT-145 • 145 PSI	1/2" 3/4"	W-KIT-3-33	Cover Gasket	
		W-KIT-4-18	Thermostat Kit	
		W-KIT-6-55-145	Mechanism Kit	
	1"	W-KIT-7-21-145	Cover Assembly Kit	
		W-KIT-3-31	Cover Gasket	
		W-KIT-4-18	Thermostat Kit	
	1 1/2"	W-KIT-6-56-145	Mechanism Kit	
		W-KIT-7-22-145	Cover Assembly Kit	
		W-KIT-3-34	Cover Gasket	
	2"	W-KIT-4-18	Thermostat Kit	
		W-KIT-6-57-145	Mechanism Kit	
		W-KIT-7-52-145	Cover Assembly Kit	
FTT-225 • 225 PSI	1/2" 3/4"	W-KIT-3-33	Cover Gasket	
		W-KIT-4-18	Thermostat Kit	
		W-KIT-6-55-225	Mechanism Kit	
	1"	W-KIT-7-21-225	Cover Assembly Kit	
		W-KIT-3-31	Cover Gasket	
		W-KIT-4-18	Thermostat Kit	
	1 1/2"	W-KIT-6-56-225	Mechanism Kit	
		W-KIT-7-22-225	Cover Assembly Kit	
		W-KIT-3-34	Cover Gasket	
	FTT-250 • 250 PSI	1 1/2"	W-KIT-4-18	Thermostat Kit
			W-KIT-6-57-250	Mechanism Kit
			W-KIT-7-52-250	Cover Assembly Kit
2"		W-KIT-3-34	Cover Gasket	
		W-KIT-4-18	Thermostat Kit	
		W-KIT-6-58-250	Mechanism Kit	
FTT-300	1"	W-KIT-7-53-250	Cover Assembly Kit	
		W-KIT-3-31	Cover Gasket	
		W-KIT-4-18	Thermostat Kit	
		W-KIT-6-56-300	Mechanism Kit	
		W-KIT-7-22-300	Cover Assembly Kit	

FTE/FTES Series Float & Thermostatic Steam Trap Parts & Kits



Size	Model	Order #	Description
2"	FTE-20	W-KIT-3-18	Cover Gasket
		W-KIT-4-18	Thermostat Kit
		W-KIT-5-18	Float
		W-KIT-6-28	Mechanism Kit
		W-KIT-7-24	Cover Assembly Kit
	FTE-50	W-KIT-3-19	Cover Gasket
		W-KIT-4-18	Thermostat Kit
		W-KIT-5-19	Float
		W-KIT-6-29	Mechanism Kit
		W-KIT-7-25	Cover Assembly Kit
2 1/2"	FTE-50 FTES-50*	W-KIT-3-19	Cover Gasket
		W-KIT-4-18	Thermostat Kit
		W-KIT-5-20	Float
		W-KIT-6-30	Mechanism Kit
		W-KIT-7-26	Cover Assembly Kit
	FTE-125 FTES-125*	W-KIT-3-19	Cover Gasket
		W-KIT-4-18	Thermostat Kit
		W-KIT-5-21	Float
		W-KIT-6-24	Mechanism Kit
		W-KIT-7-27	Cover Assembly Kit
1 1/2"	FTE-200	W-KIT-3-22-1	Cover Gasket
		W-KIT-4-18	Thermostat Kit
		W-KIT-5-22	Float
		W-KIT-6-26	Mechanism Kit
		W-KIT-7-28	Cover Assembly Kit
2"	FTE-200	W-KIT-3-18	Cover Gasket
		W-KIT-4-18	Thermostat Kit
		W-KIT-5-23	Float
		W-KIT-6-27	Mechanism Kit
		W-KIT-7-29	Cover Assembly Kit
2 1/2"	FTE-200 FTES-200 FTES-300*	W-KIT-3-19	Cover Gasket
		W-KIT-4-18	Thermostat Kit
		W-KIT-5-24	Float
		W-KIT-6-25	Mechanism Kit
		W-KIT-7-23	Cover Assembly Kit

Thermostat Kit:

- (1) welded stainless steel thermostat
- (1) thermostat gasket

Mechanism Kit: (does not include float, thermostat & cover gasket)

- (1) seat & float arm assembly

Cover Assembly Kit: (consists of all internal components below, assembled to trap cover)

- (1) mechanism kit
- (1) thermostat kit
- (1) cover gasket

* Contact Factory for any FTES Cover Assembly.

Steam Traps

Replacement Parts & Kits for Float & Thermostatic Steam Traps

FT Series Float & Thermostatic Steam Trap Parts & Kits

Thermostat Kit:

- (1) welded stainless steel thermostat
- (1) thermostat gasket.

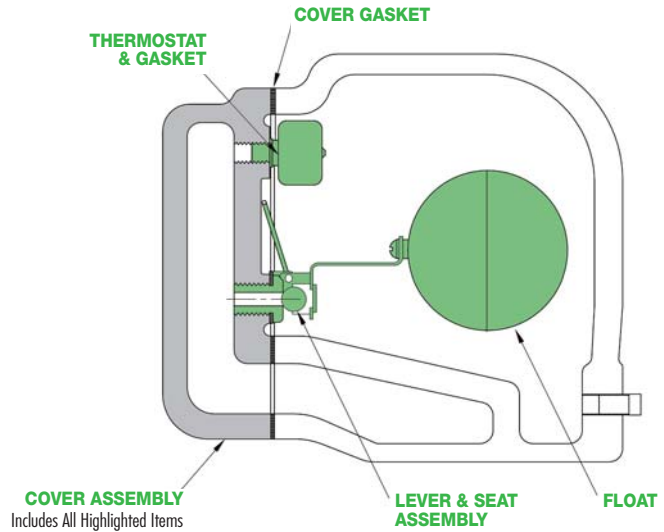
Lever & Seat Assembly: (does not include float)

- (1) lever
- (1) seat
- (1) disc
- (1) seat gasket

Cover Assembly Kit:

(consists of all items below assembled to trap cover)

- (1) trap cover
- (1) lever & seat assembly
- (1) float & screw
- (1) thermostat kit
- (1) cover gasket



15 PSI

Model	Order #	Item
FT3-015-13-N (3/4" FT-15)	W-KIT-3-01	Cover Gasket
	W-KIT-4-12	Thermostat Kit
	W-KIT-5-02	Float & Screw
	W-KIT-6-02	Lever & Seat Assembly
	W-KIT-7-02	Cover Assembly Kit
FT4-015-14-N (1" FT-15)	W-KIT-3-01	Cover Gasket
	W-KIT-4-12	Thermostat Kit
	W-KIT-5-02	Float & Screw
	W-KIT-6-02	Lever & Seat Assembly
	W-KIT-7-02	Cover Assembly Kit
FT6-015-15-N (1 1/4" FT-15)	W-KIT-3-02	Cover Gasket
	W-KIT-4-12	Thermostat Kit
	W-KIT-5-03	Float & Screw
	W-KIT-6-03	Lever & Seat Assembly
	W-KIT-7-03	Cover Assembly Kit
FT7-015-16-N (1 1/2" FT-15)	W-KIT-3-03	Cover Gasket
	W-KIT-4-12	Thermostat Kit
	W-KIT-5-04	Float & Screw
	W-KIT-6-04	Lever & Seat Assembly
	W-KIT-7-04	Cover Assembly Kit
FT8-015-17-N (2" FT-15)	W-KIT-3-04	Cover Gasket
	W-KIT-4-12	Thermostat Kit
	W-KIT-5-05	Float & Screw
	W-KIT-6-05	Lever & Seat Assembly
	W-KIT-7-05	Cover Assembly Kit
FTS8-015-17-N (2" FTS-15)	W-KIT-3-04	Cover Gasket
	W-KIT-4-12	Thermostat Kit
	W-KIT-5-17	Float & Screw
	W-KIT-6-21	Lever & Seat Assembly
	W-KIT-7-18	Cover Assembly Kit

30 PSI

Model	Order #	Item
FT33-030-13-N (3/4" FT-30)	W-KIT-3-01	Cover Gasket
	W-KIT-4-12	Thermostat Kit
	W-KIT-5-02	Float & Screw
	W-KIT-6-06	Lever & Seat Assembly
	W-KIT-7-06	Cover Assembly Kit
FT34-030-14-N (1" FT-30)	W-KIT-3-02	Cover Gasket
	W-KIT-4-12	Thermostat Kit
	W-KIT-5-03	Float & Screw
	W-KIT-6-07	Lever & Seat Assembly
	W-KIT-7-07	Cover Assembly Kit
FT35-030-14-N (1" FT-30)	W-KIT-3-02	Cover Gasket
	W-KIT-4-12	Thermostat Kit
	W-KIT-5-03	Float & Screw
	W-KIT-6-07	Lever & Seat Assembly
	W-KIT-7-07	Cover Assembly Kit
FT36-030-15-N (1 1/4" FT-30)	W-KIT-3-02	Cover Gasket
	W-KIT-4-12	Thermostat Kit
	W-KIT-5-03	Float & Screw
	W-KIT-6-07	Lever & Seat Assembly
	W-KIT-7-07	Cover Assembly Kit
FT37L-030-16-N (1 1/2" FT-30)	W-KIT-3-03	Cover Gasket
	W-KIT-4-12	Thermostat Kit
	W-KIT-5-04	Float & Screw
	W-KIT-6-15	Lever & Seat Assembly
	W-KIT-7-15	Cover Assembly Kit
FT37-030-16-N (1 1/2" FT-30)	W-KIT-3-04	Cover Gasket
	W-KIT-4-12	Thermostat Kit
FT38-030-17-N (2" FT-30)	W-KIT-5-05	Float & Screw
	W-KIT-6-08	Lever & Seat Assembly
	W-KIT-7-08	Cover Assembly Kit

FT Series (continued)

75 PSI		
Model	Order #	Item
FT73-075-13-N (3/4" FT-75)	W-KIT-3-01	Cover Gasket
	W-KIT-4-12	Thermostat Kit
FT74-075-14-N (1" FT-75)	W-KIT-5-02	Float & Screw
	W-KIT-6-09	Lever & Seat Assembly
	W-KIT-7-09	Cover Assembly Kit
FT75-075-14-N (1" FT-75)	W-KIT-3-02	Cover Gasket
	W-KIT-4-12	Thermostat Kit
	W-KIT-5-03	Float & Screw
	W-KIT-6-10	Lever & Seat Assembly
	W-KIT-7-10	Cover Assembly Kit
FT76-075-15-N (1 1/4" FT-75)	W-KIT-3-02	Cover Gasket
	W-KIT-4-12	Thermostat Kit
	W-KIT-5-03	Float & Screw
	W-KIT-6-10	Lever & Seat Assembly
	W-KIT-7-10	Cover Assembly Kit
FT77L-075-16-N (1 1/2" FT-75)	W-KIT-3-03	Cover Gasket
	W-KIT-4-12	Thermostat Kit
	W-KIT-5-04	Float & Screw
	W-KIT-6-16	Lever & Seat Assembly
	W-KIT-7-16	Cover Assembly Kit
FT77-075-16-N (1 1/2" FT-75)	W-KIT-3-04	Cover Gasket
	W-KIT-4-12	Thermostat Kit
FT78-075-17-N (2" FT-75)	W-KIT-5-05	Float & Screw
	W-KIT-6-11	Lever & Seat Assembly
	W-KIT-7-11	Cover Assembly Kit
FTS8-075-17-N (2" FTS-75)	W-KIT-3-04	Cover Gasket
	W-KIT-4-12	Thermostat Kit
	W-KIT-5-17	Float & Screw
	W-KIT-6-22	Lever & Seat Assembly
	W-KIT-7-19	Cover Assembly Kit

125 PSI		
Model	Order #	Item
FT123	W-KIT-3-01	Cover Gasket
	W-KIT-4-12-125	Thermostat Kit
FT124	W-KIT-5-02	Float & Screw
	W-KIT-6-12	Lever & Seat Assembly
	W-KIT-7-12	Cover Assembly Kit
FT125	W-KIT-3-02	Cover Gasket
	W-KIT-4-12-125	Thermostat Kit
	W-KIT-5-03	Float & Screw
	W-KIT-6-13	Lever & Seat Assembly
	W-KIT-7-13	Cover Assembly Kit
FT126	W-KIT-3-03	Cover Gasket
	W-KIT-4-12-125	Thermostat Kit
	W-KIT-5-04	Float & Screw
	W-KIT-6-13	Lever & Seat Assembly
	W-KIT-7-13	Cover Assembly Kit
FT127L	W-KIT-3-03	Cover Gasket
	W-KIT-4-12-125	Thermostat Kit
	W-KIT-5-04	Float & Screw
	W-KIT-6-17	Lever & Seat Assembly
	W-KIT-7-17	Cover Assembly Kit
FT127	W-KIT-3-04	Cover Gasket
	W-KIT-4-12-125	Thermostat Kit
FT128	W-KIT-5-05	Float & Screw
	W-KIT-6-14	Lever & Seat Assembly
	W-KIT-7-14	Cover Assembly Kit
FTS8-125	W-KIT-3-04	Cover Gasket
	W-KIT-4-12-125	Thermostat Kit
	W-KIT-5-05	Float & Screw
	W-KIT-6-23	Lever & Seat Assembly
	W-KIT-7-20	Cover Assembly Kit

Steam Traps

Replacement Parts & Kits for Float & Thermostatic Steam Traps

FT600/FT601 Series Float & Thermostatic Steam Trap Parts & Kits

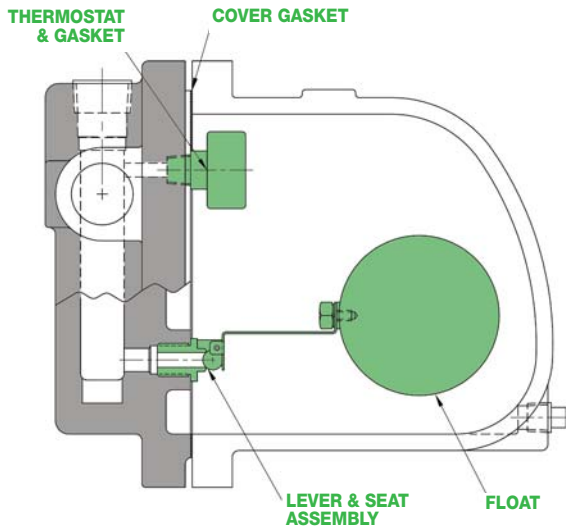
Thermostat Kit:

- (1) welded stainless steel thermostat
- (1) thermostat gasket.

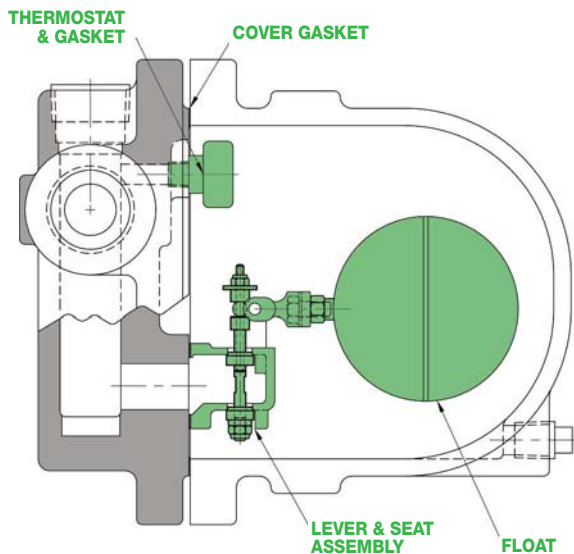
Lever & Seat Assembly: (does not include float)

- (1) lever
- (1) seat
- (1) disc
- (1) seat gasket

3/4" & 1" FT600



1 1/2" & 2" FT600



Size	Model	Order #	Item
3/4"	FT600-65	W-KIT-3-23	Cover Gasket
	FT601-65	W-KIT-4-18	Thermostat Kit
		W-KIT-5-25	Float & Screw
		W-KIT-6-31	Lever & Seat Assembly
	FT600-145	W-KIT-3-23	Cover Gasket
	FT601-145	W-KIT-4-18	Thermostat Kit
		W-KIT-5-25	Float & Screw
		W-KIT-6-32	Lever & Seat Assembly
	FT600-200	W-KIT-3-23	Cover Gasket
	FT601-200	W-KIT-4-18	Thermostat Kit
		W-KIT-5-25	Float & Screw
		W-KIT-6-33	Lever & Seat Assembly
FT600-300	W-KIT-3-23	Cover Gasket	
FT601-300	W-KIT-4-15	Thermostat Kit	
	W-KIT-5-25	Float & Screw	
	W-KIT-6-34	Lever & Seat Assembly	
FT600-450	W-KIT-3-23	Cover Gasket	
FT601-450	W-KIT-4-16	Thermostat Kit	
	W-KIT-5-25	Float & Screw	
	W-KIT-6-35	Lever & Seat Assembly	

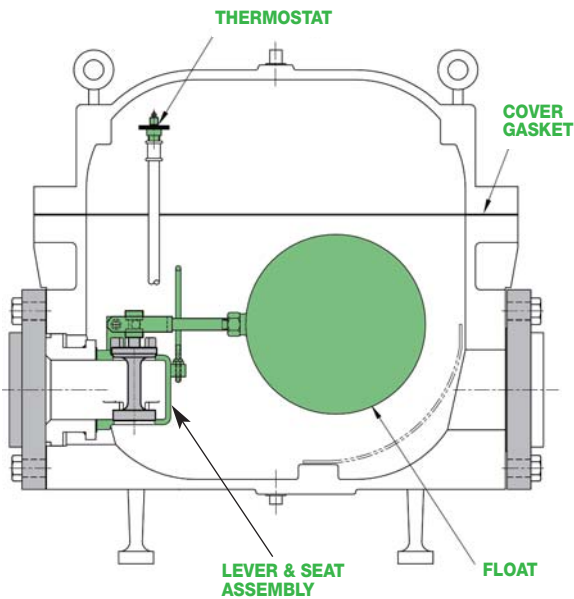
1"	FT600-65	W-KIT-3-24	Cover Gasket
	FT601-65	W-KIT-4-15	Thermostat Kit
		W-KIT-5-26	Float & Screw
		W-KIT-6-36	Lever & Seat Assembly
	FT600-145	W-KIT-3-24	Cover Gasket
	FT601-145	W-KIT-4-15	Thermostat Kit
		W-KIT-5-26	Float & Screw
		W-KIT-6-37	Lever & Seat Assembly
	FT600-200	W-KIT-3-24	Cover Gasket
	FT601-200	W-KIT-4-15	Thermostat Kit
		W-KIT-5-26	Float & Screw
		W-KIT-6-38	Lever & Seat Assembly
FT600-300	W-KIT-3-24	Cover Gasket	
FT601-300	W-KIT-4-15	Thermostat Kit	
	W-KIT-5-26	Float & Screw	
	W-KIT-6-39	Lever & Seat Assembly	
FT600-450	W-KIT-3-24	Cover Gasket	
FT601-450	W-KIT-4-16	Thermostat Kit	
	W-KIT-5-26	Float & Screw	
	W-KIT-6-40	Lever & Seat Assembly	

FT600/FT601 Series (continued)

Size	Model	Order #	Item
1 1/2"	FT600-65	W-KIT-3-25	Cover Gasket
	FT601-65	W-KIT-4-15	Thermostat Kit
		W-KIT-5-27-1	Float & Screw
		W-KIT-6-41	Lever & Seat Assembly
	FT600-145	W-KIT-3-25	Cover Gasket
	FT601-145	W-KIT-4-15	Thermostat Kit
		W-KIT-5-27-1	Float & Screw
		W-KIT-6-42	Lever & Seat Assembly
	FT600-200	W-KIT-3-25	Cover Gasket
	FT601-200	W-KIT-4-15	Thermostat Kit
		W-KIT-5-27-2	Float & Screw
		W-KIT-6-43	Lever & Seat Assembly
	FT600-300	W-KIT-3-25	Cover Gasket
	FT601-300	W-KIT-4-15	Thermostat Kit
		W-KIT-5-27-2	Float & Screw
		W-KIT-6-44	Lever & Seat Assembly
	FT600-450	W-KIT-3-25	Cover Gasket
	FT601-450	W-KIT-4-16	Thermostat Kit
		W-KIT-5-27-2	Float & Screw
		W-KIT-6-45	Lever & Seat Assembly

Size	Model	Order #	Item
2"	FT600-65	W-KIT-3-26	Cover Gasket
	FT601-65	W-KIT-4-15	Thermostat Kit
		W-KIT-5-28-1	Float & Screw
		W-KIT-6-52	Lever & Seat Assembly
	FT600-145	W-KIT-3-26	Cover Gasket
	FT601-145	W-KIT-4-15	Thermostat Kit
		W-KIT-5-28-1	Float & Screw
		W-KIT-6-53	Lever & Seat Assembly
	FT600-200	W-KIT-3-26	Cover Gasket
	FT601-200	W-KIT-4-15	Thermostat Kit
		W-KIT-5-28-2	Float & Screw
		W-KIT-6-54	Lever & Seat Assembly
	FT600-300	W-KIT-3-26	Cover Gasket
	FT601-300	W-KIT-4-15	Thermostat Kit
		W-KIT-5-28-2	Float & Screw
		W-KIT-6-49	Lever & Seat Assembly
	FT600-450	W-KIT-3-26	Cover Gasket
	FT601-450	W-KIT-4-16	Thermostat Kit
		W-KIT-5-28-2	Float & Screw
		W-KIT-6-50	Lever & Seat Assembly

3" & 4" FT600



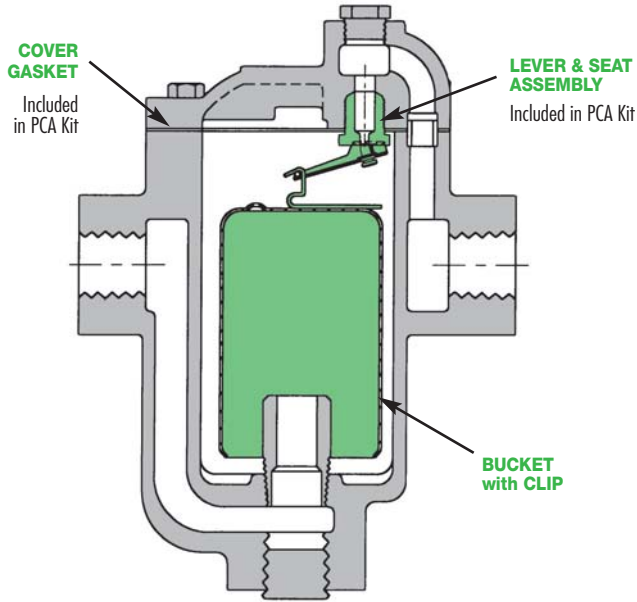
Size	Model	Order #	Item
3" & 4"	FT600-450	W-KIT-3-27	Cover Gasket
	FT601-450	W-KIT-4-16	Thermostat Kit
		W-KIT-5-29	Float & Screw
		W-KIT-6-51	Lever & Seat Assembly

Steam Traps

Replacement Parts & Kits for Inverted Bucket Steam Traps

IB Series Inverted Bucket Steam Trap Parts & Kits

Inverted Bucket Trap 1031, 1032, 1033, 1034

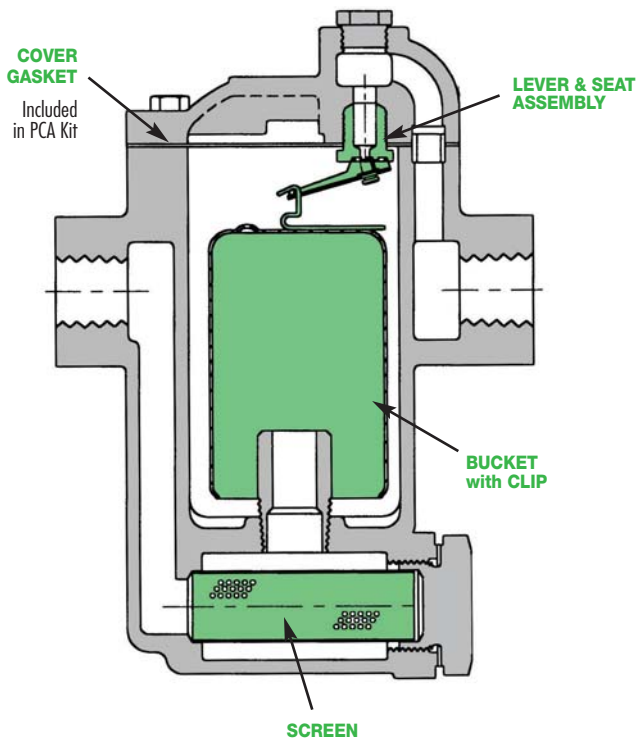


*PCA Kit-Pressure Change Assembly

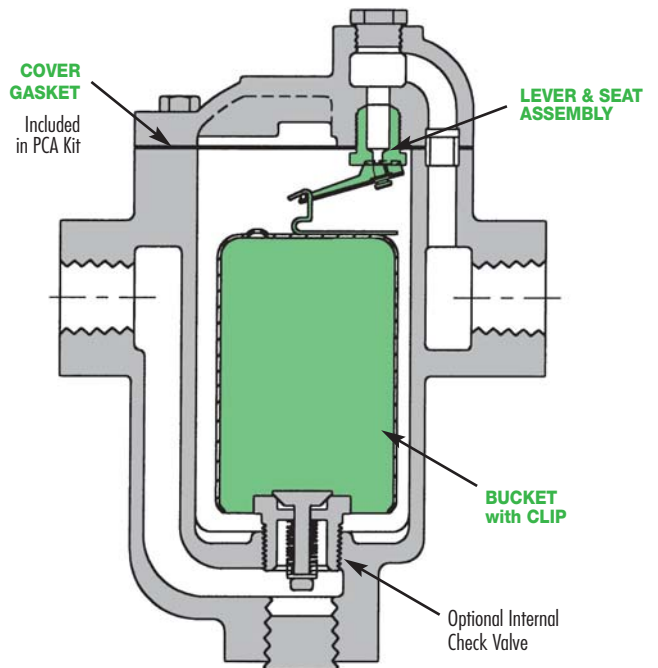
The PCA Kit consists of all items to rebuild the Bucket Trap except the bucket & clip. This includes the lever & seat assembly with cover gasket.



Inverted Bucket Trap 1041, 1042, 1044, 1038S



Inverted Bucket Trap 1032 shown with Check Valve



Replacement Parts & Kits for Inverted Bucket Steam Traps

PCA Kit # is dependent upon orifice size or maximum working pressure of the steam trap.
Consult factory for other parts if required.

PCA Kit: (Lever & Seat Assembly with Cover Gasket)

Connection	For Model	Max Pressure	Orifice Size	PCA Kit* #	Screen #	Cover Gasket #	Bucket with clip #	
1/2" 3/4"	IB1031-20	20	3/16	W-KIT-5-09-020	9-01	3-07	4-06	
	IB1041-20			W-KIT-5-09-080				
	IB1031-80	80	1/8	W-KIT-5-09-080				
	IB1041-80			W-KIT-5-09-125				
	IB1031-125	125	7/64	W-KIT-5-09-125				(For Model IB1041 Only)
	IB1041-125			W-KIT-5-09-150				
	IB1031S-125	150	#38	W-KIT-5-09-150				
	IB1041-150							
1/2" 3/4" 1"	IB1032-15	15	1/4	W-KIT-5-10-015	9-02	3-07	4-07	
	IB1042-15			W-KIT-5-10-030				
	IB1032-30	30	3/16	W-KIT-5-10-030				
	IB1042-30			W-KIT-5-10-070				
	IB1032-70	70	5/32	W-KIT-5-10-070				(For Model IB1042 Only)
	IB1042-70			W-KIT-5-10-125				
	IB1032-125	125	1/8	W-KIT-5-10-125				
	IB1042-125			W-KIT-5-10-200				
	IB1032-200	200	7/64	W-KIT-5-10-200				
	IB1042-200			W-KIT-5-10-250				
IB1032-250	250	#38	W-KIT-5-10-250					
IB1042-250								
1/2" 3/4"	IB1033-15	15	5/16	W-KIT-5-15-015	No Screen required	3-12	4-14	
	IB1033-30	30	1/4	W-KIT-5-15-030				
	IB1033-70	70	3/16	W-KIT-5-15-070				
	IB1033-125	125	5/32	W-KIT-5-15-125				
	IB1033-200	200	1/8	W-KIT-5-15-200				
	IB1033-250	250	7/64	W-KIT-5-15-250				
3/4" 1"	IB1034-15	15	1/2	W-KIT-5-11-015	9-03	3-08	4-08	
	IB1044-15			W-KIT-5-11-030				
	IB1034-30	30	3/8	W-KIT-5-11-030				
	IB1044-30			W-KIT-5-11-060				
	IB1034-60	60	5/16	W-KIT-5-11-060				(For Model IB1044 Only)
	IB1044-60			W-KIT-5-11-080				
	IB1034-80	80	9/32	W-KIT-5-11-080				
	IB1044-80			W-KIT-5-11-125				
	IB1034-125	125	1/4	W-KIT-5-11-125				
	IB1044-125			W-KIT-5-11-180				
	IB1034-180	180	7/32	W-KIT-5-11-180				
IB1044-180	W-KIT-5-11-250							
IB1034-250	250	3/16	W-KIT-5-11-250					
IB1044-250								
1 1/4" 1 1/2"	IB1038S-15	15	1/2	W-KIT-5-12S-015	9-03S	3-09S	4-09S	
	IB1038S-30	30	3/8	W-KIT-5-12S-030				
	IB1038S-60	60	5/16	W-KIT-5-12S-060				
	IB1038S-80	80	9/32	W-KIT-5-12S-080				
	IB1038S-125	125	1/4	W-KIT-5-12S-125				
	IB1038S-180	180	7/32	W-KIT-5-12S-180				
	IB1038S-250	250	3/16	W-KIT-5-12S-250				

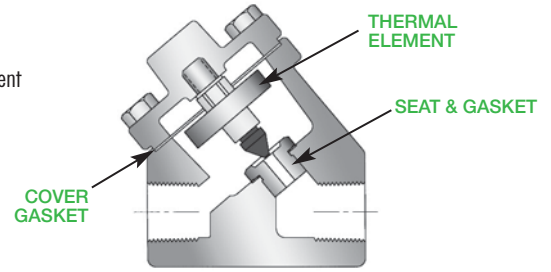
Steam Traps

Replacement Parts & Kits for Thermostatic Steam Traps

WT2500 Series Thermostatic Steam Trap Kits

Size	Seat Material	Orifice Size	Kit Order #
1/2" & 3/4"	Stainless Steel	3/16"	W-KIT-2501
	Stainless Steel	5/16"	W-KIT-2503

- Kit consists of:
- (1) seat
 - (1) thermal element
 - (1) cover gasket
 - (1) seat gasket



WT3000 & WT4000 Series Thermostatic Steam Trap Parts & Kits

Size	For Models	Orifice Size	Kit Order #
1/2" & 3/4"	WT3001/3001S/3001SB	3/16"	W-KIT-400-51
1/2" & 3/4"	WT3003/3003S/3003SB	5/16"	W-KIT-400-53
3/4" & 1"	WT4001/4001S/4001SB	5/16"	W-KIT-400-60
3/4" & 1"	WT4003/4003S/4003SB	7/16"	W-KIT-400-62

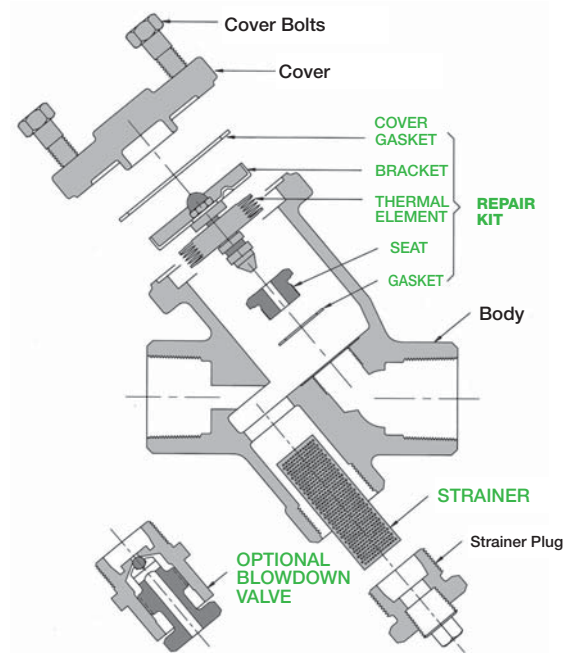
- Kit consists of:
- (1) bracket (bellows cup)
 - (1) thermal element
 - (1) valve seat
 - (1) cover gasket
 - (1) valve seat gasket

Cover Gasket

Size	For Models	Kit Order #
All	WT3000 Series	W-KIT-410-50
All	WT4000 Series	W-KIT-410-51

Blowdown Valve & Strainer

Size	For Models	Item	Order #
All	WT3000SB WT4000SB UC450SB	Blowdown Valve Assembly	WBLDNVLLV-TRAPS
All	WT3000SB WT4000SB UC450SB	Strainer Screen	1532002

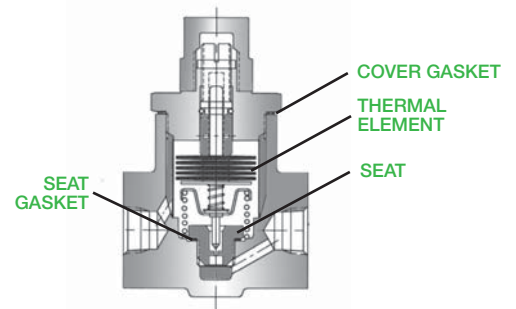


WT5000 Series Externally Adjustable Bi-Metallic Steam Trap Kits

Size	For Models	PMO PSI	Kit Order #
1/2", 3/4" & 1"	WT5000	650	W-KIT-WT5000

Cross Reference: TLV Model LEX3N-TZ

- Kit consists of:
- (1) thermal element
 - (1) valve seat
 - (1) cover gasket
 - (1) valve seat gasket
 - (1) screen

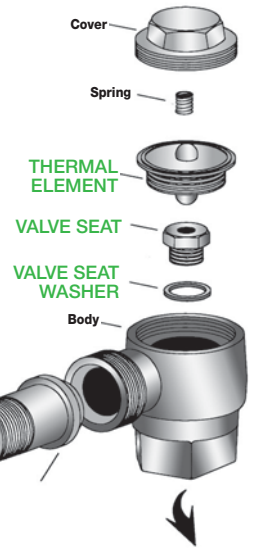


TA25B & TA125 Series Radiator Thermostatic Steam Trap Kits

Size	For Models	Seat Material	PMO PSI	Kit Order #
1/2"	TA25B-12-N	Brass	25	W-KIT-TT-12-025
	TA125-12-N	Stainless steel	125	W-KIT-TT-12-125
3/4"	TA25B-13-N	Brass	25	W-KIT-TT-13-025
	TA125-13-N	Stainless steel	125	W-KIT-TT-13-125

Kit consists of:

- (1) thermal element
- (1) valve seat
- (1) valve seat washer
- (1) cover gasket

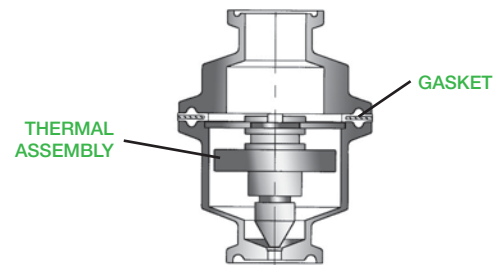


TS25B & TS125 Series Radiator Thermostatic Steam Trap Kits

Size	For Models	Seat Material	PMO PSI	Kit Order #
1/2"	TS25B-12-N	Brass	25	W-KIT-TT-12-025
	TS125-12-N	Stainless steel	125	W-KIT-TT-12-125
3/4"	TS25B-13-N	Brass	25	W-KIT-TT-13-025
	TS125-13-N	Stainless steel	125	W-KIT-TT-13-125

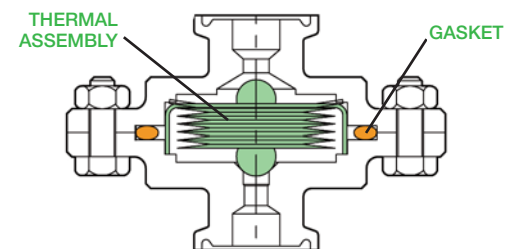
FDA300, FDA400 & FDA500 Series Clean Steam Trap Parts

For Models	Kit Order #	Product Description
FDA300	W-KIT-300-01	Gasket
FDA300	W-KIT-300-02	Thermal Assembly
FDA400/410 & FDA500/510	W-KIT-500-01	Gasket
FDA400/410 & FDA500/510	W-KIT-500-02	Thermal Assembly



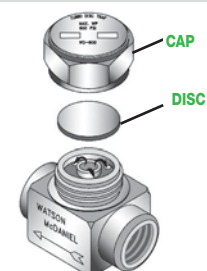
FDA600 Series Clean Steam Trap Parts

For Model	Kit Order #	Product Description
FDA600	W-KIT-600-01	Gasket
FDA600	W-KIT-600-02	Thermal Assembly



FDA800 Series Clean Steam Trap Parts

For Model	Kit Order #	Product Description
FDA800	W-KIT-800-01	Disc
FDA800	W-KIT-800-02	Cap



PMP Series

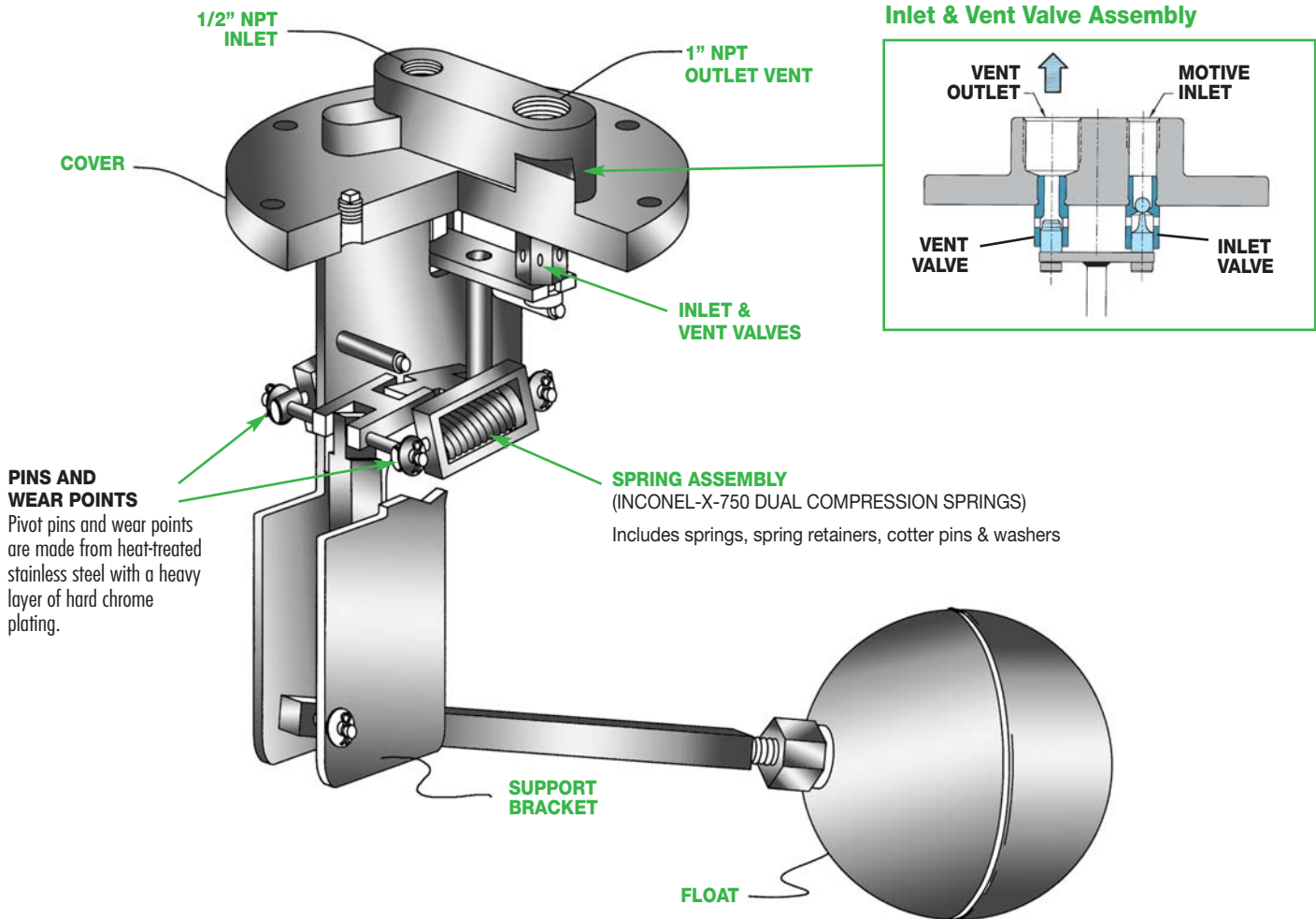
Pressure Motive Pump Mechanism Assembly Parts & Kits

Rebuilt Mechanism Assemblies

For Model (All Sizes)	Kit Order #	Description	Weight lbs
PMPF	W-KIT-900-03R	Rebuilt mechanism assembly for PMPF	30
PMPC & PMPLS	W-KIT-910-03R	Rebuilt mechanism assembly for PMPC & PMPLS	30
PMPT & PMPNT	W-KIT-912-03R	Rebuilt mechanism assembly for PMPT & PMPNT	15

Note: The exchange program is for mechanisms within two years of service or less. The old mechanism must be returned along with the order for the rebuilt mechanism. Orders without old mechanisms will be invoiced at the new mechanism price. **One time rebuild** of each mechanism only.

Pressure Motive Pump Mechanism Assembly



New Assemblies & Parts for Pressure Motive Pumps

For Model (All Sizes)	Kit Order #	Description	Weight lbs
PMPM	W-KIT-901-04	Cover gasket for PMPM	3
	W-KIT-901-06	Float & cover gasket for PMPM	3
	W-KIT-901-05	Inlet & vent valve assembly for PMPM	5
	W-KIT-901-08	Spring assembly for PMPM	5
	W-KIT-916-03	Complete mechanism assembly for PMPM less cover	5
	W-KIT-911-03	Complete mechanism assembly for PMPM	95
PMPE, PMPC & PMPLS All Sizes	W-KIT-900-03	New mechanism assembly for PMPF & PMPSP	30
	W-KIT-910-03	New mechanism assembly for PMPC & PMPLS	30
	W-KIT-900-04	Cover gasket for PMPF, PMPC & PMPLS	3
	W-KIT-900-05	Inlet & vent valve assembly for PMPF, PMPC & PMPLS	5
	W-KIT-900-06	Float & cover gasket for PMPF, PMPC & PMPLS	10
	W-KIT-900-08	Spring assembly for PMPF, PMPC & PMPLS	5
	W-KIT-904-03	PMP Head Assembly, Johnson LMV Complete	28
PMPBP 4" x 4"	W-KIT-900-01	New mechanism assembly for PMPBP & SSI	110
	W-KIT-910-14	Cover gasket for PMPBP	7
	W-KIT-900-15	Inlet & vent valve assembly for PMPBP	12
	W-KIT-900-16	Float & cover gasket for PMPBP	20
	W-KIT-900-18	Spring set for PMPBP	10
	W-KIT-900-02	New mechanism assembly for PMPBP, 150# FLG.	110
	W-KIT-900-07	New mechanism assembly for PMPBP, 300# FLG.	110

Note: For purchasing Stainless Steel Check Valves 1/2" - 3" NPT — See Check Valves Model WSSCV, in Pipeline Accessories Section.

Cross Reference

Kit Order #	Spirax Sarco	Johnson	Armstrong	Gestra	Hoffman	Spence
W-KIT-900-03	PTF	LMV	PT-400	FPS Series	PCC	P3
W-KIT-910-03	PTC	LMV	N/A	FPS Series	PCS	P3
W-KIT-900-01	PPF-P	N/A	PT-516	FPS33L	N/A	N/A

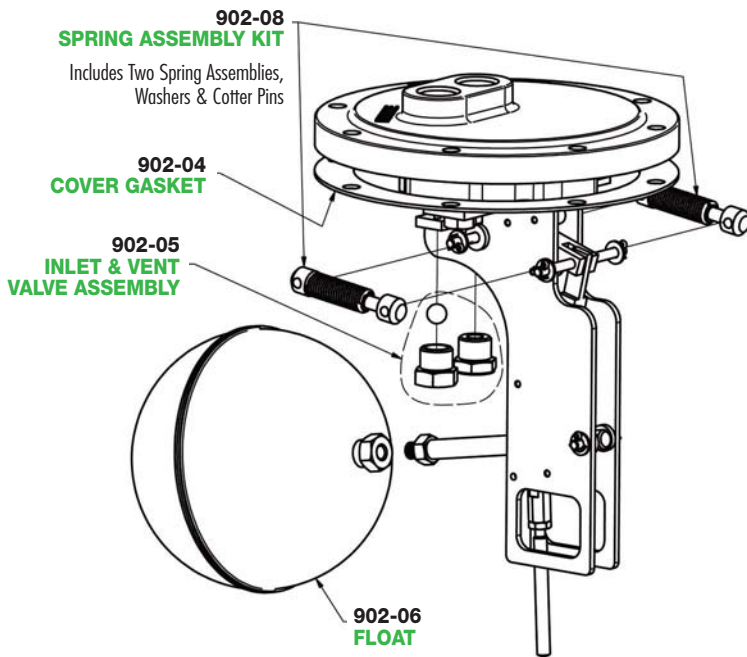
Pumps

Replacement Parts & Kits for Pressure Motive Pumps

PMPT & PMPNT Pressure Motive Pump & Trap Combination Parts & Kits

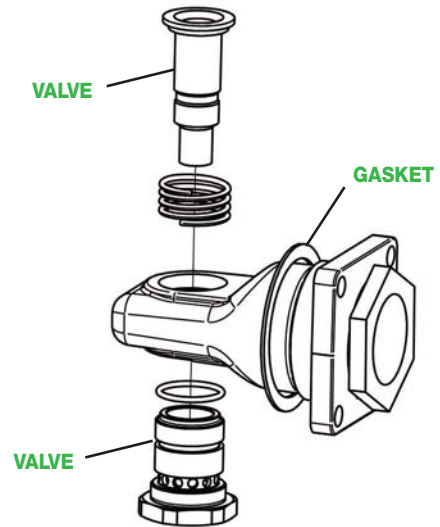
For Model (All Sizes)	Kit Order #	Description	Weight lbs
PMPT & PMPNT	W-KIT-902-04	Cover Gasket	0.5
	W-KIT-902-05	Inlet & Vent Valve Assembly	4.0
	W-KIT-902-06	Float & Cover Gasket	0.5
	W-KIT-902-08	Spring Assembly	0.8
	W-KIT-912-03	Complete Pump Mechanism Assembly & Gasket PMPT	15.0
	W-KIT-912-03-SS	Complete Pump Mechanism Assembly & Gasket PMPNTSS	15.0
	W-KIT-914-03	Complete Pump Mechanism Assembly & Gasket PMPNT	0.8
	W-KIT-914-03-SS	Complete Pump Mechanism Assembly & Gasket PMPNTSS	0.8
	W-KIT-917-03	Internal Trap Assembly Mechanism & Gasket for PMPT only	10.0

Notes: 1) For purchasing Stainless Steel Check Valves 1/2" - 3" NPT — See Check Valves Model WSSCV, in Pipeline Accessories Section.



912-03
Complete Pump Mechanism for
PMPT

914-03
Complete Pump Mechanism for
PMPNT



917-03
Internal Trap
Assembly Mechanism
for PMPT

Ductile Iron Regulator

HD Series Pilot-Operated Regulator Kits & Parts

Size	Maintenance Kit ¹ Order #	Complete Rebuild Kit ² Order #
1/2" & 3/4"	W-KIT-800-13	W-KIT-801-13
1"	W-KIT-800-14	W-KIT-801-14
1 1/4"	W-KIT-800-15	W-KIT-801-15
1 1/2"	W-KIT-800-16	W-KIT-801-16
2"	W-KIT-800-17	W-KIT-801-17
2 1/2"	W-KIT-800-18	W-KIT-801-18
3"	W-KIT-800-19	W-KIT-801-19
4"	W-KIT-800-20	W-KIT-801-20
6"	W-KIT-800-22	W-KIT-801-22

Note: For Low Pressure Main Valve (LP)
Add LP to the end of the above part number to include Peroxide cured EPDM Diaphragm. Example: W-KIT-800-13-LP

¹ HD Maintenance Kit (800 Series) Consists of :

- (1) bottom cover gasket
- (2) diaphragm gaskets
- (2) diaphragms
- (1) pilot adapter gasket
- (1) strainer screen

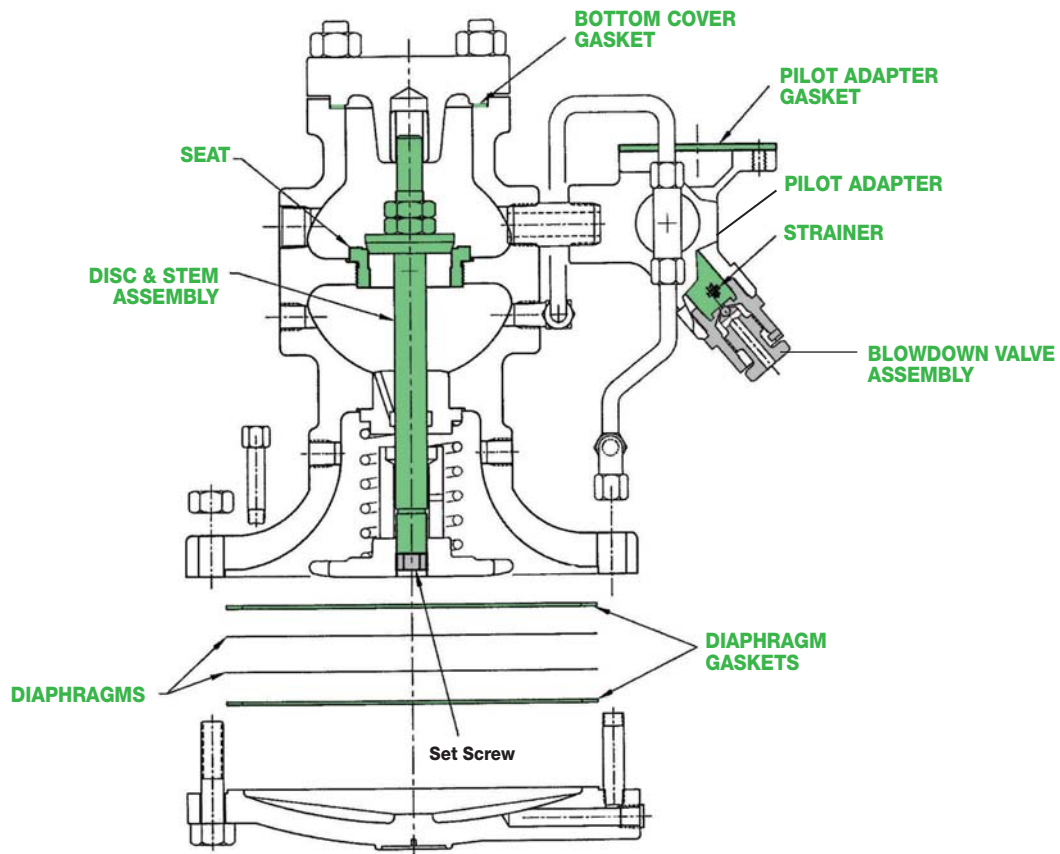
² Complete Rebuild Kit (801 Series) Consists of:

- (1) HD Maintenance Kit (800 Series; above)
- (1) seat
- (1) disc & stem assembly

Additional Options:

- a) Blowdown Valve Assembly:
Order #: **KIT-800-11**
- b) Gasket for Pilot Adapter:
Order #: **1762900**
- c) Reduced Port Kits; Contact Factory
- d) Replacement Pilot Adapter:
Order #: **ZBHD-18-19-20**

HD Regulator Repair Parts



Pilots – HD Regulator

Replacement Parts & Kits for Pilots used with HD Regulator

PP & PP5 Pressure Pilots Repair Kits

Kit Order #	Description
W-KIT-802-01	Series PP Pressure Pilot Kit
W-KIT-802-02	Series PP - 2 Diaphragms & bottom spring button only
W-KIT-854-04	Series PP5 Pressure Pilot Kit

PP & PP5 Pressure Pilot Kit Consists of:

- (2) diaphragms
- (1) head & seat assembly
- (1) seat gasket
- (1) pilot adapter gasket
- (1) diaphragm gasket (PP5 only)

PBP Back Pressure Pilot Repair Kits

Kit Order #	Description
W-KIT-803-01	PBP Back Pressure Pilot Kit

PBP Back Pressure Pilot Kit Consists of:

- (2) diaphragms
- (1) head & seat assembly
- (1) seat gasket
- (1) pilot adapter gasket

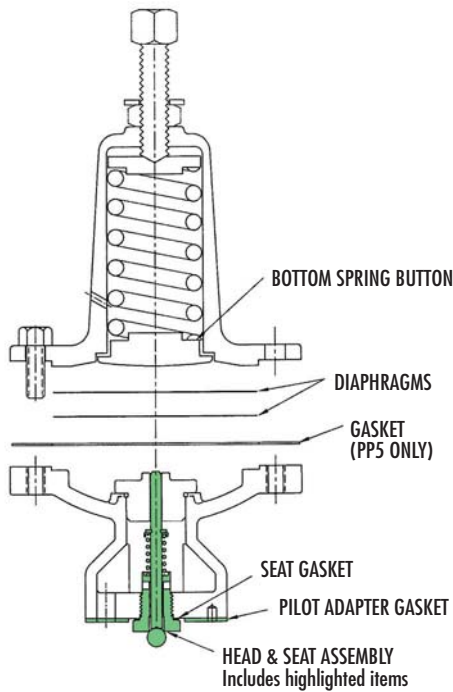
PDP Differential Pilot Repair Kits

Kit Order #	Description
W-KIT-806-01	PDP Differential Pressure Pilot Kit

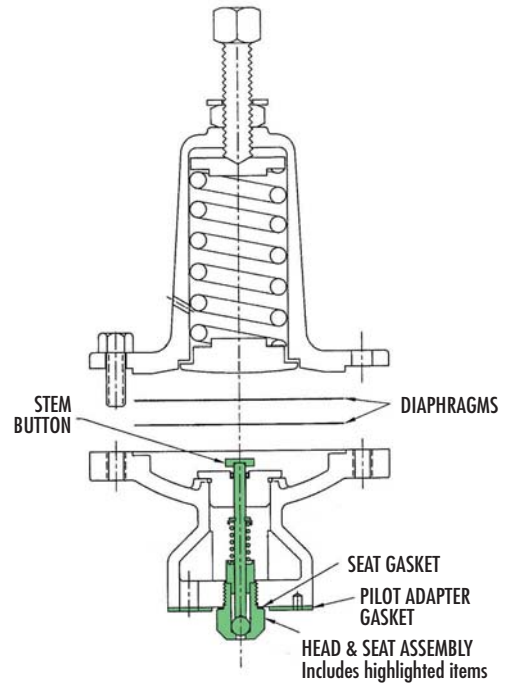
PDP Differential Pilot Kit Consists of:

- (2) diaphragms
- (1) head & seat assembly
- (1) cap gasket
- (1) seat gasket
- (1) pilot adapter gasket

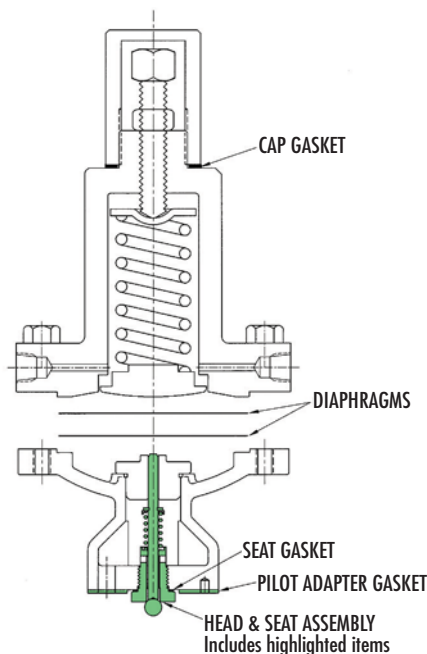
PP & PP5 Pressure Pilot Repair Kit



PBP Back Pressure Pilot Repair Kit



PDP Differential Pilot Repair Kit



Pilots – HD Regulator

Replacement Parts & Kits for Pilots used with HD Regulator

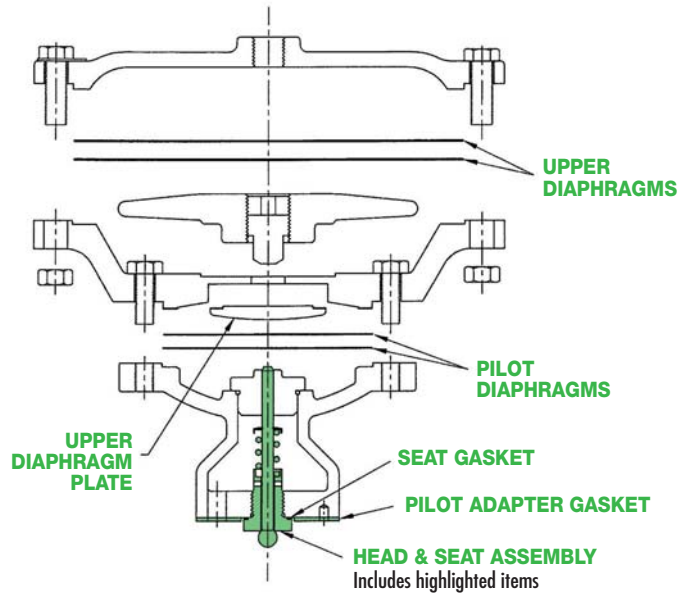
PA Series Air Pilots Repair Kits

Kit Order #	Description
W-KIT-804-01	PA1 (1:1) Air Pilot Kit
W-KIT-804-04	PA4 (4:1) Air Pilot Kit
W-KIT-804-06	PA6 (6:1) Air Pilot Kit

Kit Consists of:

- (2) upper diaphragms
- (2) pilot diaphragms
- (1) head & seat assembly
- (1) seat gasket
- (1) pilot adapter gasket

PA Air Pilot Repair Kit



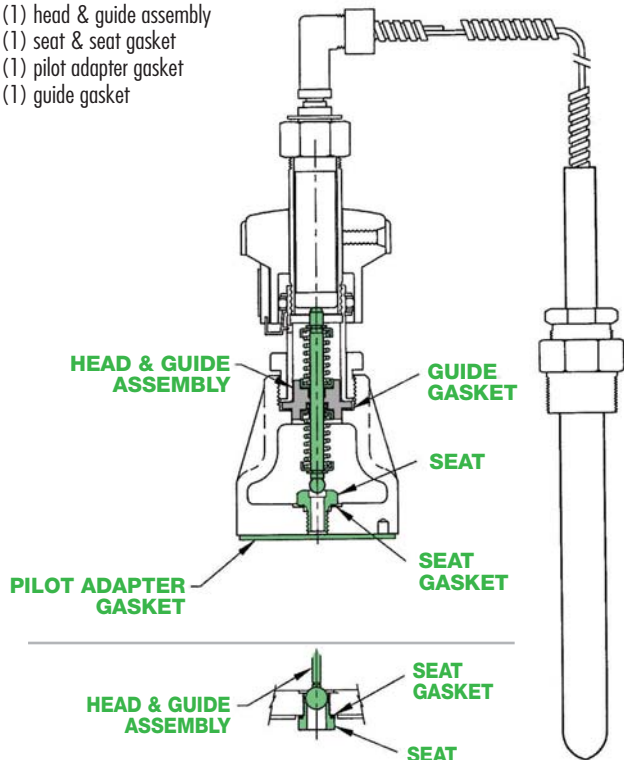
PT & PTU Temperature Pilots Repair Kits

Kit Order #	Description
W-KIT-805-01	PT & PTU Pilot Kit
W-KIT-805-02	PT & PTU Low Pressure Pilot Kit

Kit Consists of:

- (1) head & guide assembly
- (1) seat & seat gasket
- (1) pilot adapter gasket
- (1) guide gasket

PT & PTU Temperature Pilot Repair Kit



HSP Pilot-Operated Regulator

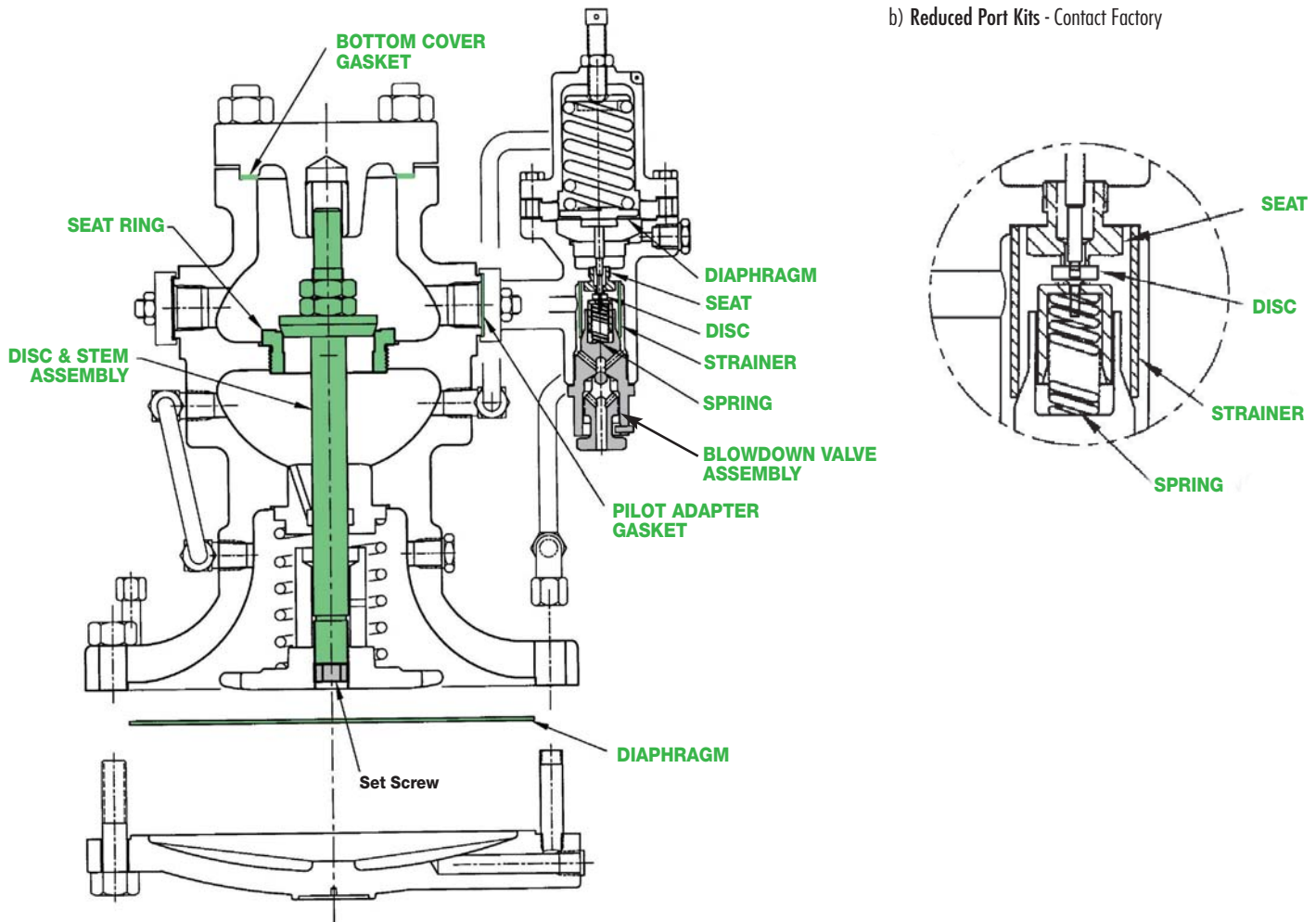
Replacement Parts & Kits for HSP Regulators

Cast Steel Regulator

HSP Series Pilot-Operated Pressure Regulator Repair Parts & Kits

Size	Maintenance Kit ¹ Order #	Complete Rebuild Kit ² Order #
1"	W-KIT-810-14	W-KIT-811-14
1 1/2"	W-KIT-810-16	W-KIT-811-16
2"	W-KIT-810-17	W-KIT-811-17
3"	W-KIT-810-19	W-KIT-811-19
4"	W-KIT-810-20	W-KIT-811-20

HSP Regulator Repair Parts



¹ HSP Maintenance Kit (810 Series) Consists of:

- (1) bottom cover gasket
- (1) diaphragm
- (1) pilot adapter gasket
- (1) strainer screen

² Complete Rebuild Kit for HSP Consists of:

- (1) 810 Series Maintenance Kit
- (1) seat
- (1) disc & stem assembly

Additional Options:

- a) Blowdown Valve Assembly for HSP:
Order #: **Kit-800-11-HSP**
- b) Reduced Port Kits - Contact Factory

PHSP Series Pilots Replacement Pressure Pilots & Repair Kit

Kit Order #	Description
PHSP-Y	HSP Pressure Pilot, 10-40 PSI (Yellow)
PHSP-B	HSP Pressure Pilot, 25-100 PSI (Blue)
PHSP-R	HSP Pressure Pilot, 75-300 PSI (Red)
W-KIT-812-01	HSP Pressure Pilot Kit

PHSP Pressure Pilot Kit Consists of:

- (1) diaphragm
- (1) disc
- (1) seat
- (1) spring
- (1) stem & cup

Direct-Operated Regulators

Replacement Parts & Kits for Direct-Operated Pressure Regulators

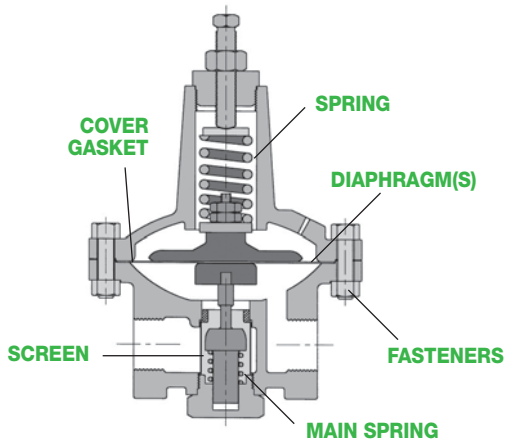
“O” Series Pressure Regulator Kits

Size	Kit Order #	Diaphragm Material	Kit Order #	Diaphragm Material
3/8", 1/2", 3/4"	W-KIT-80-11	Bronze	W-KIT-81-11V	Viton
3/4" HC	W-KIT-82-12	Bronze	W-KIT-83-12V	Viton
1", 1 1/4"	W-KIT-82-14	Bronze	W-KIT-83-14V	Viton
1 1/2", 2"	W-KIT-82-15	Bronze	W-KIT-83-15V	Viton

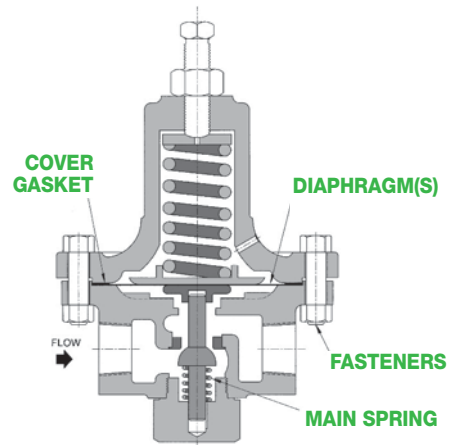
Kits for 3/8", 1/2" & 3/4" Sizes Consist of:
 (1) cover gasket
 (2) bronze or (1) Viton diaphragm
 (1) set of diaphragm cover fasteners
 (1) main spring

Kits for 3/4" HC Thru 2" Sizes also include:
 (1) screen

3/4" HC & 1" - 2" Sizes



3/8", 1/2" & 3/4" Sizes

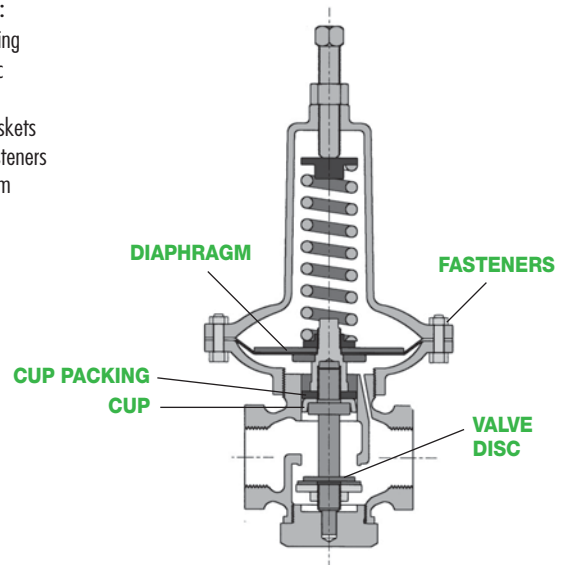


“B” Series Pressure Regulator Kits

Size	Viton Kit Order #
1/2", 3/4"	W-KIT-200-01V
1"	W-KIT-200-03V
1 1/4"	W-KIT-200-04V
1 1/2"	W-KIT-200-05V
2"	W-KIT-200-06V
2 1/2"	W-KIT-200-07V
3"	W-KIT-200-08V
4"	W-KIT-200-09V

Kits Consist of:

- (1) cup packing
- (1) valve disc
- (1) cup
- (1) set of gaskets
- (1) set of fasteners
- (1) diaphragm



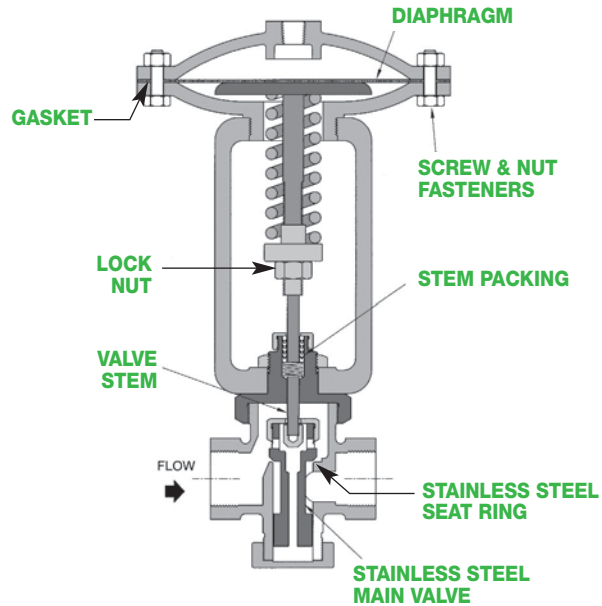
Direct-Operated Regulators

Replacement Parts & Kits for Direct-Operated Pressure Regulators

455 Series Pressure Regulator Kits & Parts

Size	Case Size	Kit Order #
1/2", 3/4"	5"	W-KIT-402-01
	6"	W-KIT-406-01
1"	5"	W-KIT-402-03
	6"	W-KIT-406-03
1 1/4"	5"	W-KIT-402-04
	6"	W-KIT-406-04
1 1/2"	5"	W-KIT-402-05
	6"	W-KIT-406-05
2"	7"	W-KIT-414-06
	9"	W-KIT-417-06
	13"	W-KIT-427-06
2 1/2"	7"	W-KIT-414-07
	9"	W-KIT-417-07
	13"	W-KIT-427-07
3"	7"	W-KIT-414-08
	9"	W-KIT-417-08
	13"	W-KIT-427-08
4"	7"	W-KIT-414-09
	9"	W-KIT-417-09
	13"	W-KIT-427-09

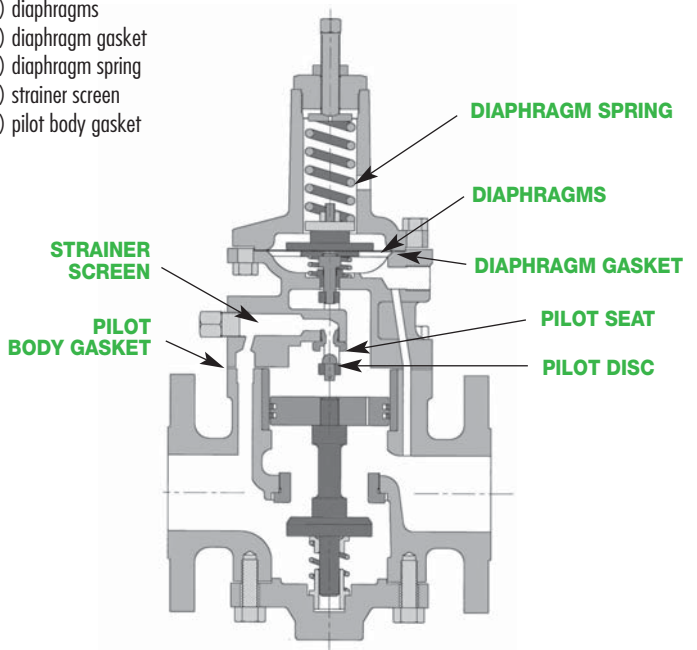
Kits consist of: (1) stainless steel main valve (1) stainless steel seat ring
 (1) set of stem packing (1) pilot stem
 (1) locknut (1) gasket
 (1) set of diaphragm case fasteners (1) diaphragm



402 & 403 Series Pressure Regulator Kits

Size	Kit Order #
	402 or 403 series
1/2", 3/4", 1"	W-KIT-450-01
1 1/4", 1 1/2"	W-KIT-450-04
2"	W-KIT-450-06
2 1/2"	W-KIT-450-07
3"	W-KIT-450-08
4"	W-KIT-450-09

Kits consist of:
 (1) pilot seat
 (1) pilot disc
 (2) diaphragms
 (1) diaphragm gasket
 (1) diaphragm spring
 (1) strainer screen
 (1) pilot body gasket



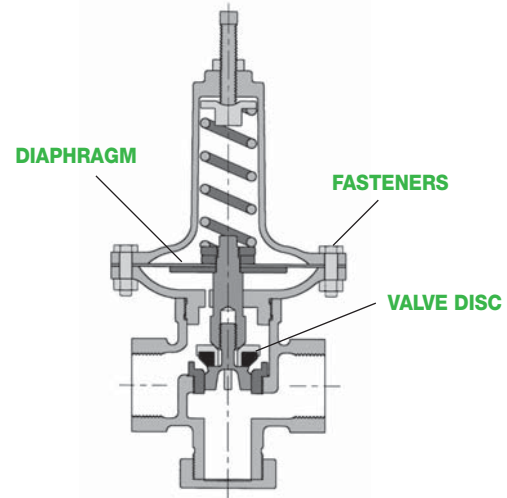
Direct-Operated Regulators

Replacement Parts & Kits for Pressure Relief Valves

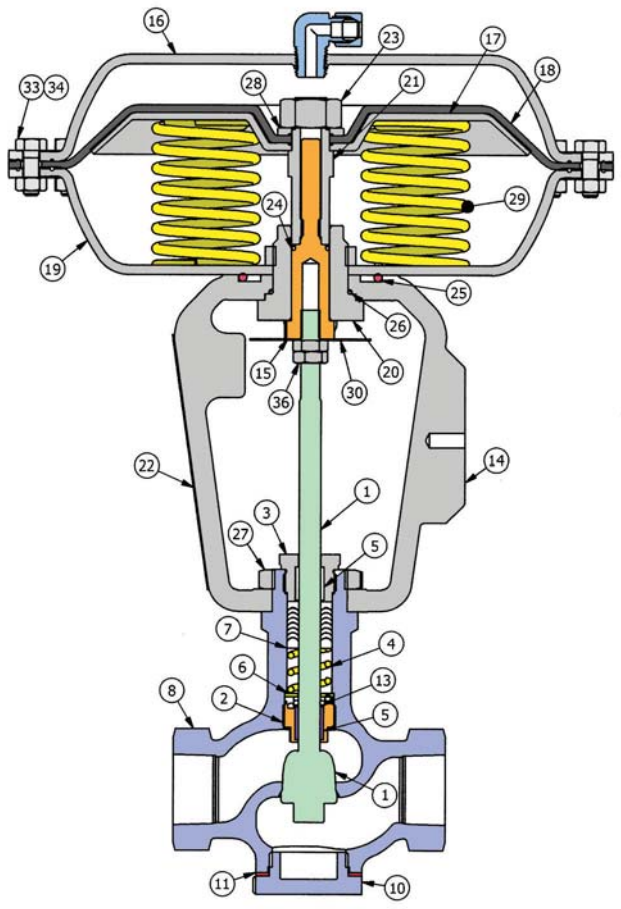
10691 Series			Back Pressure / Relief Valve Kits	
Size	Pressure Range PSI	Kit Order #	Kits consist of:	
1/2"	75-300	W-KIT-40-1	(1) disc	
	25-100	W-KIT-40-2	(1) disc follower	
	5-35	W-KIT-40-3	(1) disc holder	
3/4"	75-300	W-KIT-41-1	(1) spring	
	25-100	W-KIT-41-2	(1) gasket	
	5-35	W-KIT-41-3		
1"	75-300	W-KIT-42-1		
	25-100	W-KIT-42-2		
	5-35	W-KIT-42-3		

For Viton or Teflon Disc, Add **V** or **T** to part number.
 Example for Viton: **W-KIT-42-3-V**

3040 Series		Back Pressure / Relief Valve Kits	
Size	Standard Trim Kit Order #	Kits consist of:	
1/2", 3/4", 1"	W-KIT-3040-14	(1) valve disc (Viton)	
1 1/4"	W-KIT-3040-15	(1) diaphragm (Viton)	
1 1/2"	W-KIT-3040-16	(1) set of fasteners	
2"	W-KIT-3040-17	2" size also includes: (1) top gasket	



HB Series

 2-Way Control Valve


MATERIALS • Actuator		
18	Diaphragm	Nylon reinforced Neoprene
24	Stem O-ring	Viton
25	Yoke O-ring	Viton
26	Upper guide O-ring	Viton

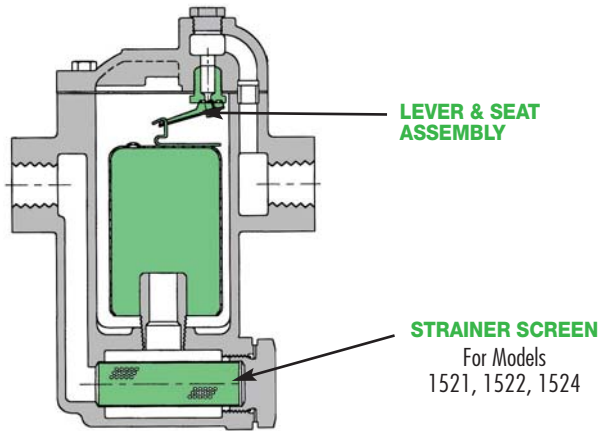
MATERIALS • Valve Body		
1	Stem	316 Stainless Steel
1	Plug	302 Stainless Steel
4	Stem Seal Spring	302 Stainless Steel
5	Guide Bushing	Rulon 641
7	V-ring Stem Seals	PTFE
11	Body Gasket	303 Stainless Steel

Stem & Plug is a single piece unit.

Liquid Drainers

Replacement Parts & Kits for Liquid Drainers

WLD1500 Series		Liquid Drainer Kits	
Size	For Model	Description	Kit Order #
3/4"	WLD1501	Lever & Seat Assembly, Gasket	W-KIT-5-09-150
	WLD1521 (with strainer)	Strainer Screen	W-KIT-9-01
		Gasket	W-KIT-3-07
3/4"	WLD1502	Lever & Seat Assembly, Gasket	W-KIT-5-10-200
	WLD1522 (with strainer)	Strainer Screen	W-KIT-9-02
		Gasket	W-KIT-3-07
1"	WLD1504	Lever & Seat Assembly, Gasket	W-KIT-5-11-200
	WLD1524 (with strainer)	Strainer Screen	W-KIT-9-03
		Gasket	W-KIT-3-08

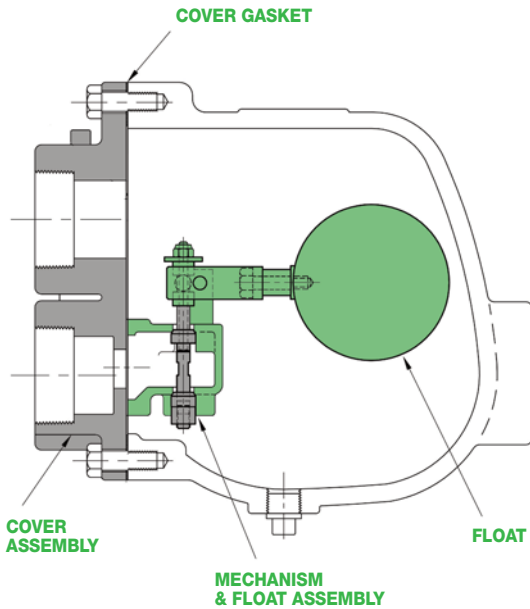


Lever Seat Assembly with Cover Gasket



WLD1600 Series		Liquid Drainer Kits	
Size	For Model	Item Description	Kit Order #
3/4"	WLD1601	Cover Assembly	W-KIT-7-12-LD
		Lever, Seat Assembly, Gasket	W-KIT-6-12
		Float & Screw	W-KIT-5-02
		Gasket	W-KIT-3-01
1"	WLD1602	Cover Assembly	W-KIT-7-13-LD
		Lever, Seat Assembly, Gasket	W-KIT-6-13
		Float & Screw	W-KIT-5-03
		Gasket	W-KIT-3-02
1 1/2"	WLD1603	Cover Assembly	W-KIT-7-17-LD
		Lever, Seat Assembly, Gasket	W-KIT-6-17
		Float & Screw	W-KIT-5-04
		Gasket	W-KIT-3-03
2"	WLD1604	Cover Assembly	W-KIT-7-20-LD
		Lever, Seat Assembly, Gasket	W-KIT-6-23
		Float & Screw	W-KIT-5-05
		Gasket	W-KIT-3-04

WLDE/WLDES Series **Float Type Liquid Drainer Kits**



Size	For Model	Kit Order #	Description
2"	WLDE-20	W-KIT-3-18	Cover Gasket
		W-KIT-5-18	Float
		W-KIT-6-28	Float, Lever & Seat Assembly
2"	WLDE-50	W-KIT-3-19	Cover Gasket
		W-KIT-5-19	Float
		W-KIT-6-29	Float, Lever & Seat Assembly
2 1/2"	WLDE-50 WLDES-50	W-KIT-3-19	Cover Gasket
		W-KIT-5-20	Float
		W-KIT-6-30	Float, Lever & Seat Assembly
2 1/2"	WLDE-125 WLDES-125	W-KIT-3-19	Cover Gasket
		W-KIT-5-21	Float
		W-KIT-6-24	Float, Lever & Seat Assembly
1 1/2"	WLDE-200	W-KIT-3-22	Cover Gasket
		W-KIT-5-22	Float
		W-KIT-6-26	Float, Lever & Seat Assembly
2"	WLDE-200	W-KIT-3-18	Cover Gasket
		W-KIT-5-23	Float
		W-KIT-6-27	Float, Lever & Seat Assembly
2 1/2"	WLDE-200 WLDES-300	W-KIT-3-19	Cover Gasket
		W-KIT-5-24	Float
		W-KIT-6-25	Float, Lever & Seat Assembly

WLD1400 Series **Float Type Liquid Drainer Kits**

All internal components are identical to FTT-Series Steam Traps, less the thermostat. See Page 380.

WLD1900 Series **Float Type Liquid Drainer Kits**

All internal components are identical to WFT-Series Steam Traps, less the thermostat. See Page 378 & 379.

Liquid Drainers

Replacement Parts & Kits for Liquid Drainers

WLD600/601 Series

Liquid Drainer Kits

Size	Model	Order #	Item
3/4"	WLD600-65 WLD601-65	W-KIT-3-23	Cover Gasket
		W-KIT-5-25	Float & Screw
		W-KIT-6-31	Lever & seat Assembly
	WLD600-145 WLD601-145	W-KIT-3-23	Cover Gasket
		W-KIT-5-25	Float & Screw
		W-KIT-6-32	Lever & seat Assembly
	WLD600-200 WLD601-200	W-KIT-3-23	Cover Gasket
		W-KIT-5-25	Float & Screw
		W-KIT-6-33	Lever & seat Assembly
	WLD600-300 WLD601-300	W-KIT-3-23	Cover Gasket
		W-KIT-5-25	Float & Screw
		W-KIT-6-34	Lever & Seat Assembly
WLD600-450 WLD601-300	W-KIT-3-23	Cover Gasket	
	W-KIT-5-25	Float & Screw	
	W-KIT-6-35	Lever & Seat Assembly	

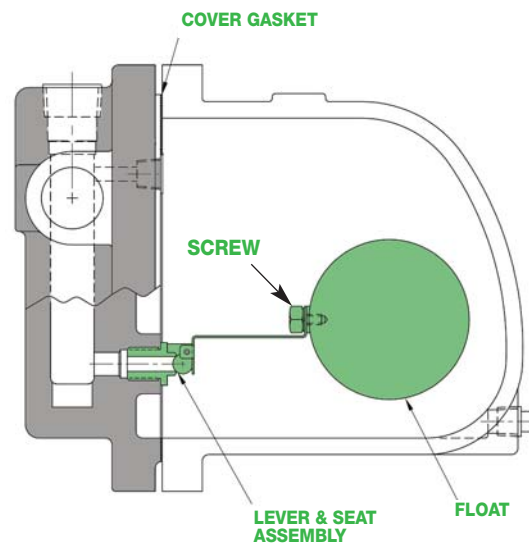
1"	WLD600-65 WLD601-65	W-KIT-3-24	Cover Gasket
		W-KIT-5-26	Float & Screw
		W-KIT-6-36	Lever & Seat Assembly
	WLD600-145 WLD601-145	W-KIT-3-24	Cover Gasket
		W-KIT-5-26	Float & Screw
		W-KIT-6-37	Lever & Seat Assembl
	WLD600-200 WLD601-200	W-KIT-3-24	Cover Gasket
		W-KIT-5-26	Float & Screw
		W-KIT-6-38	Lever & Seat assembly
	WLD600-300 WLD601-300	W-KIT-3-24	Cover Gasket
		W-KIT-5-26	Float & Screw
		W-KIT-6-39	Lever & Seat assembly
WLD600-450 WLD601-300	W-KIT-3-24	Cover Gasket	
	W-KIT-5-26	Float & Screw	
	W-KIT-6-40	Lever & Seat assembly	

1 1/2"	WLD600-65 WLD601-65	W-KIT-3-25	Cover Gasket
		W-KIT-5-27-1	Float & Screw
		W-KIT-6-41	Lever & Seat Assembly
	WLD600-145 WLD601-145	W-KIT-3-25	Cover Gasket
		W-KIT-5-27-1	Float & Screw
		W-KIT-6-42	Lever & Seat Assembly
	WLD600-200 WLD601-200	W-KIT-3-25	Cover Gasket
		W-KIT-5-27-2	Float & Screw
		W-KIT-6-43	Lever & Seat Assembly
	WLD600-300 WLD601-300	W-KIT-3-25	Cover Gasket
		W-KIT-5-27-2	Float & Screw
		W-KIT-6-44	Lever & Seat Assembly
WLD600-450 WLD601-300	W-KIT-3-25	Cover Gasket	
	W-KIT-5-27-2	Float & Screw	
	W-KIT-6-45	Lever & Seat Assembly	

Size	Model	Order #	Item
2"	WLD600-65 WLD601-65	W-KIT-3-26	Cover Gasket
		W-KIT-5-28-1	Float & Screw
		W-KIT-6-52	Lever & seat Assembly
	WLD600-145 WLD601-145	W-KIT-3-26	Cover Gasket
		W-KIT-5-28-1	Float & Screw
		W-KIT-6-53	Lever & Seat Assembly
	WLD600-200 WLD601-200	W-KIT-3-26	Cover Gasket
		W-KIT-5-28-2	Float & Screw
		W-KIT-6-54	Lever & Seat Assembly
	WLD600-300 WLD601-300	W-KIT-3-26	Cover Gasket
		W-KIT-5-28-2	Float & Screw
		W-KIT-6-49	Lever & Seat Assembly
WLD600-450 WLD601-450	W-KIT-3-26	Cover Gasket	
	W-KIT-5-28-2	Float & Screw	
	W-KIT-6-50	Lever & Seat Assembly	

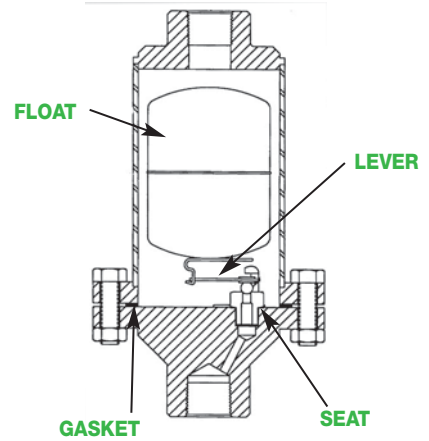
3" & 4"	WLD600-450 WLD601-450	W-KIT-3-27	Cover Gasket
		W-KIT-5-29	Float & Screw
		W-KIT-6-51	Lever & Seat Assembly

Note:
Reference FT600 Parts Section for additional detailed drawings.
All internal parts of WLD600 are identical to FT600, except WLD600
Liquid Drainers do not include a thermostat.



WLD1800R Series Liquid Drainer Kits

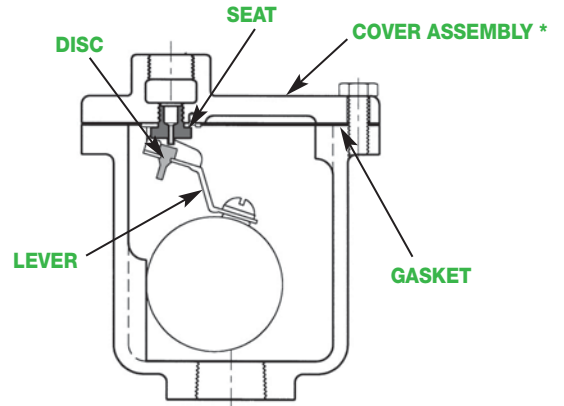
Model	Kit Order #	Description	PMO (PSI)
WLD1800R - All	W-KIT-3-29	Gasket	—
WLD1800R - All	W-KIT-5-31	Float	—
WLD1810R	W-KIT-6-46	Lever & Seat (.078 dia.)	400
WLD1820R	W-KIT-6-47	Lever & Seat (.101 dia.)	255
WLD1830R	W-KIT-6-48	Lever & Seat (.125 dia.)	175



AV813 Series Air Eliminator Parts & Kits

For Model	Kit Order #	Description	Cross Reference Spirax Sarco
AV813	W-KIT-813-01	Gasket	13WS
AV813	W-KIT-813-02	Lever & Disc, Seat	13WS
AV813	W-KIT-813-03	Cover Assembly *	13WS
AV813	W-KIT-813-04	Lever & Viton Seat	13WS

* Cover Assembly Consists of:
 (1) lever & disc
 (1) seat
 (1) cover gasket
 All fully assembled to cover.



AE1800R Series Air Eliminator Parts & Kits

For Model	Kit Order #	Description	PMO (PSI)
AE1800R	W-KIT-3-29	Gasket	—
AE1800R	W-KIT-5-31	Float	—
AE1810R	W-KIT-6-46	Lever & Seat (.078 dia.)	400
AE1820R	W-KIT-6-47	Lever & Seat (.101 dia.)	255
AE1830R	W-KIT-6-48	Lever & Seat (.125 dia.)	175

