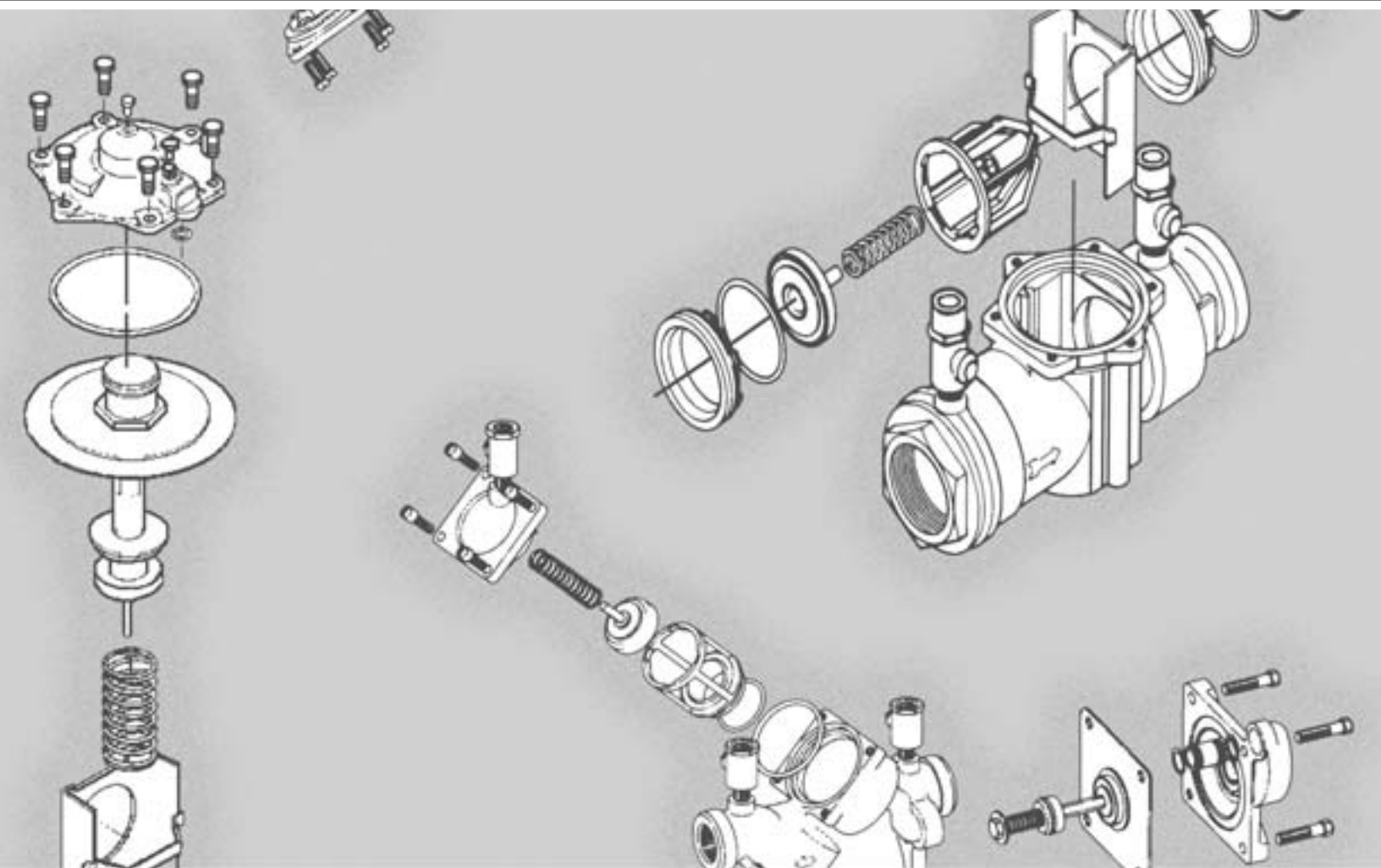


Watts Backflow Prevention Products REPAIR KITS LIST PRICE BOOK

Effective February 26, 2007



- **SINGLE AND DOUBLE CHECK VALVE ASSEMBLIES**
- **REDUCED PRESSURE ZONE ASSEMBLIES**
- **VACUUM BREAKERS**
- **NON-TESTABLE BACKFLOW PREVENTERS**

Table of Contents

Series Size Page

1 Single & Double Check Valve Assemblies

07F, SS07F.....	4" - 10"	1
007.....	1/2" - 2"	2
007, 007DCDA.....	2" - 3"	3
700.....	3/4" - 4"	4
709.....	3/4" - 2"	5
709.....	2 1/2" - 10"	6
709DCDA.....	3" - 10"	7
719.....		8
757, 757DCDA.....	2 1/2" - 10"	9
757a, 757aDCDA.....	2 1/2" - 6"	9
770, 770DCDA.....	4" - 8"	10
772, 772DCDA.....	4" - 10"	11
773, 773DCDA.....	4" - 6"	12
774, 774DCDA.....	2 1/2" - 12"	13
774X, 774XDCDA.....	6" - 12"	13
775.....	1/2" - 2"	14
775, 775DCDA.....	3" - 8"	15
Troubleshooting Guide.....		16

2 Reduced Pressure Zone Assemblies

009.....	1/4" - 2"	17, 18
009.....	2 1/2" - 3"	19
900.....	3/4" - 2"	20
909.....	3/4" - 2"	21, 22
909.....	2 1/2" - 10"	23, 24
909RPDA.....	2 1/2" - 10"	25, 26
919.....		27
957, 957RPDA.....	2 1/2" - 10"	28, 29
990, 990RPDA.....	4" - 8"	30, 31
992, 992RPDA.....	4" - 10"	32, 33
993, 993RPDA.....	4" - 6"	34, 35
994, 994RPDA.....	2 1/2" - 10"	36
995.....	1/2" - 2"	37
995, 995RPDA.....	3" - 6"	38, 39
Troubleshooting Guide.....		40

3 Vacuum Breakers

008.....	3/4" - 1"	41
800M, 800CM.....	1/2" - 3/4"	41
800M4, 800M4FR.....	1/2" - 2"	42
800M2.....	1/2" - 2"	43
800M3.....	1/2" - 3/4"	43
800.....	1/2" - 2"	44

Minimum order charge

A \$10.00 minimum order charge will apply for an individual parts order.

All prices are temporary and subject to change without notice and supersede all previous prices.

Limited Warranty: Watts Regulator Company warrants each product to be free from defects in material and workmanship under normal usage for a period of one year from the date of original shipment. In the event of such defects within the warranty period, the Company will, at its option, replace or recondition the product without charge. This shall constitute the sole and exclusive remedy for breach of warranty, and the Company shall not be responsible for any incidental, special or consequential damages, including without limitation, lost profits or the cost of repairing or replacing other property which is damaged if this product does not work properly, other costs resulting from labor charges, delays, vandalism, negligence, fouling caused by foreign material, damage from adverse water conditions, chemical, or any other circumstances over which the Company has no control. This warranty shall be invalidated by any abuse, misuse, misapplication or improper installation of the product. **THIS WARRANTY IS IN LIEU OF ALL OTHER WARRANTIES, EXPRESS OR IMPLIED, INCLUDING ANY IMPLIED WARRANTIES OF MERCHANTABILITY OR FITNESS FOR A PARTICULAR PURPOSE.** Any implied warranties that are imposed by law are limited in duration to one year.

Some States do not allow limitations on how long an implied warranty lasts, and some States do not allow the exclusion or limitation of incidental or consequential damages. Therefore the above limitations may not apply to you. This Limited Warranty gives you specific legal rights, and you may have other rights that vary from State to State. You should consult applicable state laws to determine your rights.

Series Size Page

4 Non-Testable Backflow Preventers

9D.....	1/2" - 3/4"	45
8A, NF8.....	3/4"	45
SD3.....	1/4" - 3/8"	45
9BD.....	1/4" - 3/8"	45
7.....	1/2" - 1 1/4"	45
N9, LF9, N9-CD, 912HP.....	1/4" - 1"	45
SD2.....	1/4" - 3/8"	45
Governor 80, 80-M1.....	All	46
188A, 288A, 289, 388ASC, N388.....	1/4" - 3"	46

5 Universal Rubber Repair Kits.....47

6 Accessories, Auxiliary Equipment

Accessories, Auxiliary Equipment.....	48, 49
Meters and Detector By-Pass Lines.....	50, 51
Replacement Shutoff Valves.....	52
Replacement Handle Kits.....	53

Repair Kit Matrix

Kit Type	Series	Model	Kit Contents	Size
<p>Example: ^{Kit Type} RK - ^{Series} 909 - ^{Model} RPDA - ^{Kit Contents} M1 - ^{Size} CK1 - 8"</p>				
RK = Repair Kit HK = Handle Kit AK = Accessory Kit UK = Union Kit			B = Bonnect Assembly C = Cover V = Vent or Relief Valve CK = Check or Spring RC = Rubber for Check RV = Rubber for Relief Valve RT = Total Rubber Parts S = Seat M = Metered Bypass L = Less Meter G = GPM C = CFM T = Total (all internal parts) 1 = First Check 2 = Second Check 3 = Both 1st and 2nd Check 4 = Either 1st or 2nd Check SS = Stainless Steel SM = Spring Module HW = Harsh/Hot Water	

Series 07F, SS07F

Single Check Valves

Sizes 4" – 10"

07F Repair Kits

When ordering specify Ordering Code, Kit No., and Valve Size.

ORDERING CODE	KIT NO.	SIZE	LIST PRICE
Rubber Parts Kits			
0887105	RK 07F RT	4"	\$313.25
0887106	RK 07F RT	6"	518.90
0887107	RK 07F RT	8"	788.50
0887104	RK 07F RT	10"	1111.40

Kit consists of: cover O-ring, bolt O-ring, disc and bracket.

Check Kits

0887108	RK 07F CK4	4"	355.25
0887109	RK 07F CK4	6"	656.05
0887110	RK 07F CK4	8"	1148.85
0887117	RK 07F CK4	10"	1687.30

Kit consists of: spring assembly and cover O-ring.

Seat Kits

0887111	RK 07F S	4"	90.45
0887112	RK 07F S	6"	140.35
0887113	RK 07F S	8"	178.35
0887118	RK 07F S	10"	246.70

Kit consists of: seat, seat O-ring and cover O-ring.

Total Repair Kits

0887114	RK 07F T	4"	445.70
0887115	RK 07F T	6"	797.50
0887116	RK 07F T	8"	1327.05
0887119	RK 07F T	10"	1934.95

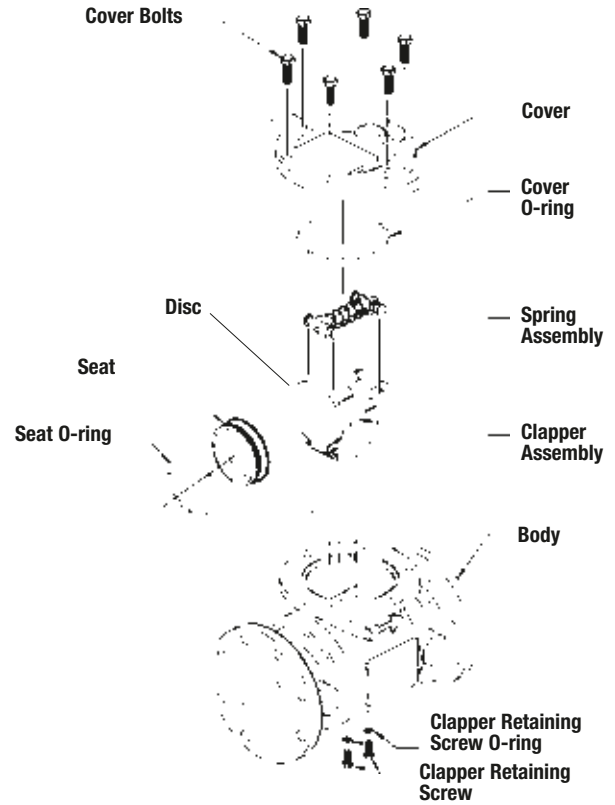
Kit consists of: spring assembly, disc and bracket, bolt O-rings and cover O-ring.

SS07F Repair Kits

ORDERING CODE	KIT NO.	SIZE	LIST PRICE
Check Kits			
0888940	RK SS07F CK	4"	\$473.95
0888941	RK SS07F CK	6"	594.85
0888942	RK SS07F CK	8", 10"	684.05

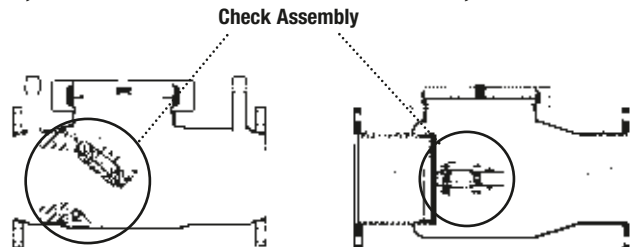
Kit consists of: complete check assembly.

4" – 10" 07F



4", 6" SS07F

8", 10" SS07F



Series 007

Double Check Valve Assemblies

Sizes 1/2" – 2"

Repair Kits

When ordering specify Ordering Code, Kit No., and Valve Size.

ORDERING CODE	KIT NO.	SIZE	LIST PRICE
Check Kits: 1st or 2nd Check			
0887193	RK 007 CK4	1/2"	\$28.80
0887377	RK SS007 CK4	1/2"	28.80
0887373	RK SS007M1 CK4	1"	41.60
0887026	RK 007M1 CK4	3/4" – 1"	41.60

1st Check

0887045	RK 007M2 CK1	3/4"	20.25
0888550	RK 007M3 CK1	3/4"	19.25
0887393	RK SS007M2 CK1	3/4"	20.25
0888070	RK SS007M3 CK1	1/2" – 3/4"	20.25
0887023	RK 007 CK1	3/4" – 1"	43.25
0887025	RK 007 CK1	1 1/2" – 2"	84.60
0887186	RK 007M1 CK1	1 1/2" – 2"	81.55
0887719	RK 007M2 CK1	1 1/4" – 1 1/2"	79.95

2nd Check

0887046	RK 007M2 CK2	3/4"	20.25
0888551	RK 007M3 CK2	3/4"	19.25
0888071	RK SS007M3 CK2	1/2" – 3/4"	20.25
0887024	RK 007 CK2	3/4" – 1"	43.25
0887028	RK 007 CK2	1 1/2" – 2"	84.60
0887187	RK 007M1 CK2	1 1/2" – 2"	81.55
0887720	RK 007M2 CK2	1 1/4" – 1 1/2"	79.95

Stainless Steel 1st or 2nd Check

0887022	RK 007 CK1 SS	3/4" – 1"	148.95
0887030	RK 007 CK2 SS	3/4" – 1"	148.95
0887032	RK 007M1 CK4 SS	3/4" – 1"	143.30
0887031	RK 007 CK1 SS	1 1/2" – 2"	209.35
0887035	RK 007 CK2 SS	1 1/2" – 2"	209.35
0887189	RK 007M1 CK1 SS	1 1/2" – 2"	201.40
0887190	RK 007M1 CK2 SS	1 1/2" – 2"	201.40

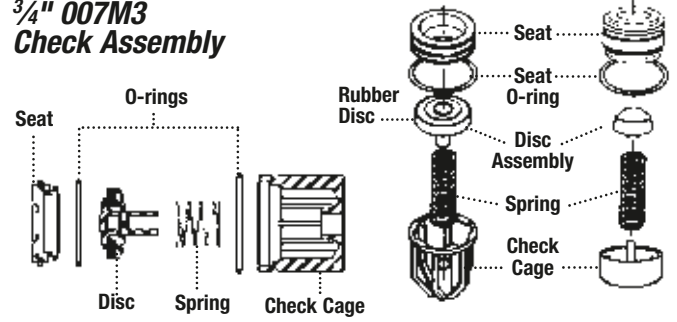
Kit consists of: seat; seat O-ring; disc assembly; spring; check cage; cover O-ring.

Cover Kit

0887195	RK 007 C	1/2"	42.80
0887379	RK SS007 C	1/2"	122.25
0888073	RK SS007M3 C	1/2" – 3/4"	136.15
0887039	RK 007M2 C	3/4"	47.65
0887380	RK SS007M2 C	3/4"	136.15
0888553	RK 007M3 C	3/4"	45.40
0887381	RK SS007M1 C	1"	197.60
0887036	RK 007 C	3/4" – 1"	71.95
0887038	RK 007M1 C	3/4" – 1"	69.10
0887037	RK 007C	1 1/2" – 2"	111.55
0887191	RK 007M1 C	1 1/2" – 2"	107.35
0887722	RK 007M2 C	1 1/4" – 1 1/2"	94.90

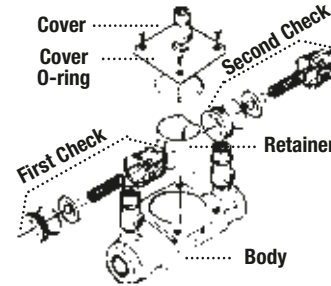
Kit consists of: cover and cover O-ring.

3/4" 007M3 Check Assembly

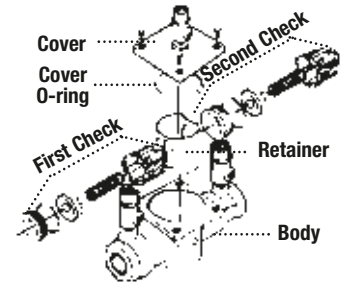


*Note: Rubber seat disc can be replaced. However, disc holder and disc retainer are permanently bonded to prevent failure.

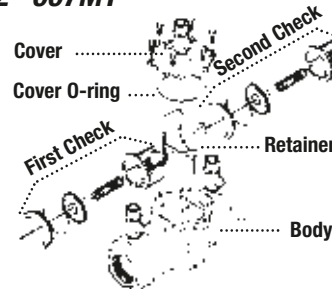
1/2" – 1" 007



1 1/4" – 1 1/2" 007M2



2" 007M1



ORDERING CODE	KIT NO.	SIZE	PRICE LIST
---------------	---------	------	------------

Complete Rubber Parts

0887194	RK 007 RT	1/2"	\$17.50
0887378	RK SS007 RT	1/2"	17.50
0888072	RK SS007M3 RT	1/2" – 3/4"	17.50
0887394	RK SS007M2 RT	3/4"	17.50
0887043	RK 007M2 RT	3/4"	17.50
0888552	RK 007M3 RT	3/4"	16.65
0887374	RK SS007M1 RT	1"	17.50
0887040	RK 007 RT	3/4" – 1"	18.15
0887042	RK 007M1 RT	3/4" – 1"	17.50
0887041	RK 007 RT	1 1/2" – 2"	54.30
0887188	RK 007M1 RT	1 1/2" – 2"	24.45
0887721	RK 007M2 RT	1 1/4" – 1 1/2"	24.45

Kit consists of: cover O-ring; 2 disc assemblies and 2 seat O-rings.

Series 007, 007DCDA

Double Check Valve Assemblies

Double Check Detector Assemblies

Sizes 2" – 3"

Repair Kits

When ordering specify Ordering Code, Kit No., and Valve Size.

ORDERING CODE	KIT NO.	SIZE	LIST PRICE
---------------	---------	------	------------

First Check Kit

0887980	RK 007DCDA CK1	2"	\$85.95
0887285	RK 007 CK1	2½", 3"	345.30
0887965	RK 007DCDA CK1	2½", 3"	358.35

Kit consists of: seat, seat O-ring, disc assembly, spring, spring retainer, check cage and cover O-ring.

Second Check Kit

0887981	RK 007DCDA CK2	2"	77.60
0887286	RK 007 CK2	2½", 3"	328.85
0887966	RK 007DCDA CK2	2½", 3"	328.85

Kit consists of: seat, seat O-ring, disc assembly, spring, spring retainer, check cage and cover O-ring.

Complete Rubber Parts

0887982	RK 007DCDA RT	2"	23.10
0887287	RK 007 RT	2½", 3"	183.60
0887967	RK 007DCDA RT	2½", 3"	183.60

Kit consists of: 2 seat discs, 2 seat O-rings, and cover O-ring.

Cover Kit

0887983	RK 007DCDA C	2"	102.20
0887288	RK 007 C	2½", 3"	280.85
0887970	RK 007DCDA C	2½", 3"	281.35

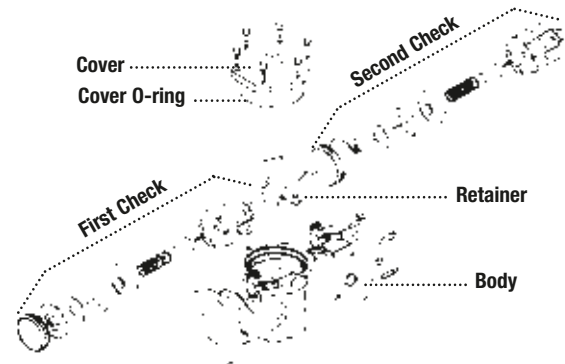
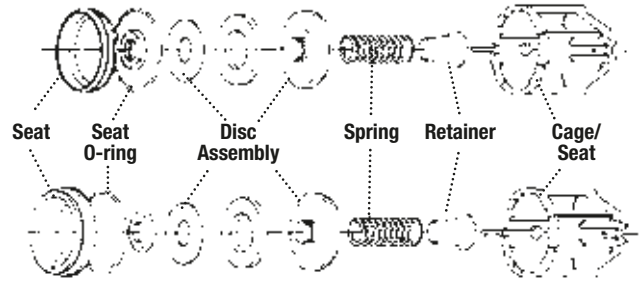
Kit consists of: cover, cover O-ring.

Seat Kit

0887984	RK 007DCDA S1	2"	64.95
0887985	RK 007DCDA S2	2"	64.95
0887289	RK 007 S1	2½", 3"	69.70
0887290	RK 007 S2	2½", 3"	69.70
0887968	RK 007DCDA S1	2½", 3"	69.70
0887969	RK 007DCDA S2	2½", 3"	69.70

Kit consists of: seat, seat O-ring and cover O-ring.

Check Assemblies



Series 700

Double Check Valve Assemblies

Sizes 3/4" – 4"

Repair Kits

When ordering specify Ordering Code, Kit No., and Valve Size.

ORDERING CODE	KIT NO.	TYPE	SIZE	LIST PRICE
---------------	---------	------	------	------------

Check Kits: 1st or 2nd Check

0881461	†5-BFP-RK	1st & 2nd Check Kits	1"	184.25
0881464	10-BFP-RK	1st & 2nd Check Kits	4"	824.00

Kit consist of: complete first and second check modules.

†Seat not included.

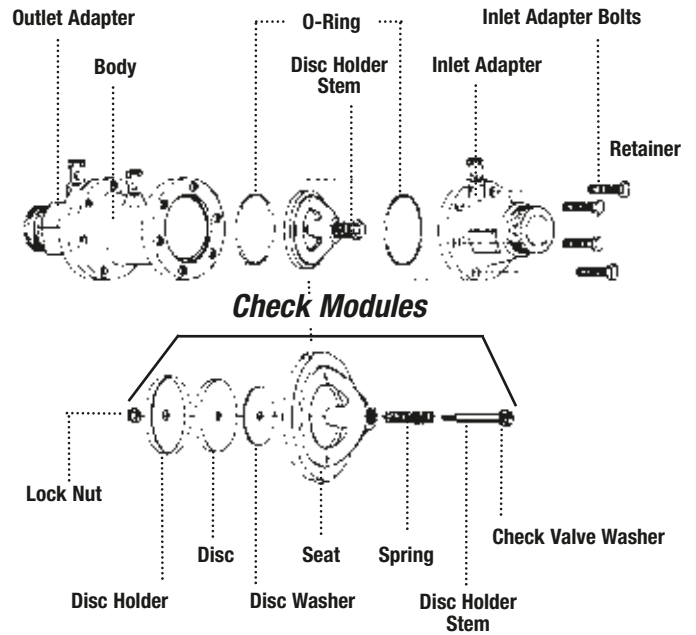
Rubber Parts

0881220	3-BFP-RK	Rubber Parts	1½", 2"	248.20
0881222	7-BFP-RK	Rubber Parts	2½", 3"	155.30

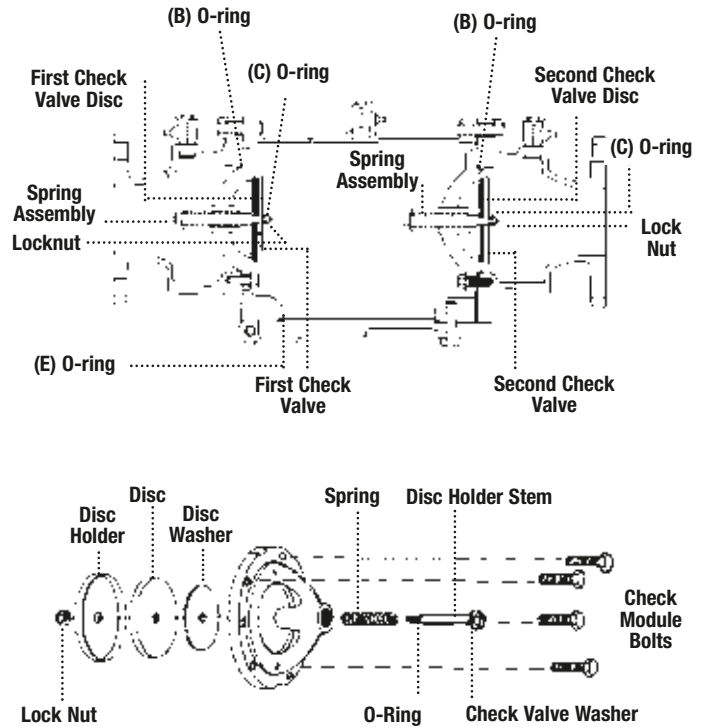
Kit consist of: complete first and second check modules.

*Rubber parts kit includes all items marked.

3/4" – 2"



2½" – 4"



Series 709

Double Check Valve Assemblies

Sizes 3/4" – 2"

Repair Kits

When ordering specify Ordering Code, Kit No., and Valve Size.

ORDERING CODE	KIT NO.	SIZE	LIST PRICE
First or Second Check Kits			
0887150	RK 709 CK4	3/4" – 1"	\$80.60
0887151	RK 709 CK4	1 1/2" – 2"	147.05
0887154	RK 709 CK4SS*	3/4" – 1"	208.60
0887155	RK 709 CK4SS*	1 1/2" – 2"	292.80

Kit consists of: disc assembly; spring; seat O-ring and cover O-ring.

Complete Rubber Parts

0887152	RK 709 RT	3/4" – 1"	11.05
0887153	RK 709 RT	1 1/2" – 2"	51.10

Kit consists of: disc assembly; seat O-ring and cover O-ring.

Seat Kits

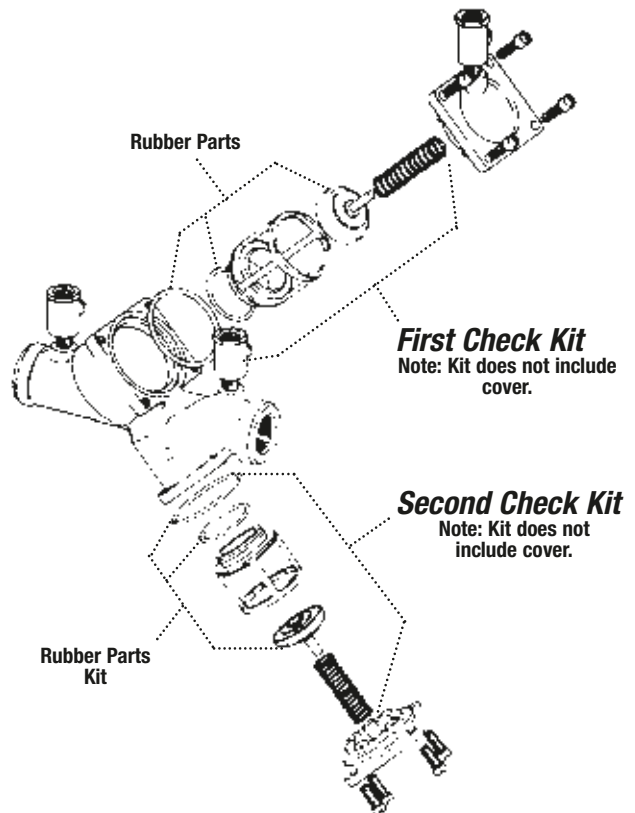
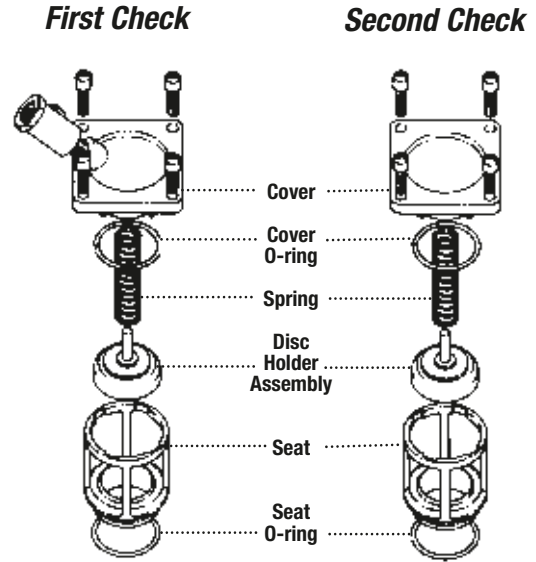
0887160	RK709 S4	3/4" – 1"	24.35
0887161	RK709 S4	1 1/2" – 2"	30.50
0887162	RK709 S4SS*	3/4" – 1"	175.80
0887163	RK709 S4SS*	1 1/2" – 2"	227.90

Kit consists of: seat; seat O-ring and cover O-ring.

Cover Kits

0887156	RK 709C1	3/4" – 1"	56.45
0887157	RK 709C1	1 1/2" – 2"	70.40
0887158	RK 709C2	3/4" – 1"	51.40
0887159	RK 709C2	1 1/2" – 2"	70.40

Kit consists of: cover and cover O-ring.



Series 709

Double Check Valve Assemblies

Sizes 2½" – 10"

Repair Kits

When ordering specify Ordering Code, Kit No., and Valve Size.

ORDERING CODE	KIT NO.	SIZE	LIST PRICE
---------------	---------	------	------------

First or Second Check Kits

0887900	RK 709 CK4	2½" – 3"	\$276.60
0887901	RK 709 CK4	4"	451.35
0887902	RK 709 CK4	*6"	779.65
0887903	RK 709 CK4	8"	1427.10
0887904	RK 709 CK4	10"	1921.45

Kit consists of: disc & spring assembly and cover O-ring.

Rubber Parts (for one check)

0887905	RK 709 RC4	2½" – 3"	50.85
0887906	RK 709 RC4	4"	68.00
0887907	RK 709 RC4	*6"	77.50
0887908	RK 709 RC4	8"	93.75
0887909	RK 709 RC4	10"	128.50

Kit consists of: disc and cover O-ring.

Complete Rubber Parts

0887915	RK 709 RT	2½" – 3"	101.85
0887916	RK 709 RT	4"	135.90
0887917	RK 709 RT	*6"	155.00
0887918	RK 709 RT	8"	187.80
0887919	RK 709 RT	10"	256.90

Kit consists of: 2 discs and 2 cover O-rings.

Seat Kits

0887910	RK 709S	2½" – 3"	110.70
0887911	RK 709S	4"	162.40
0887912	RK 709S	6"	279.60
0887913	RK 709S	8"	668.50
0887914	RK 709S	10"	780.95

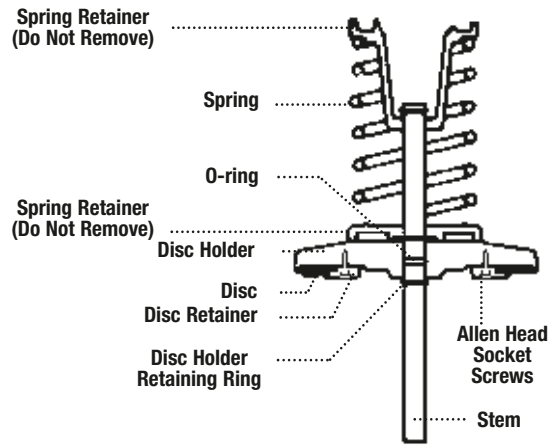
Kit consists of: seat; seat O-ring; cover O-ring and retainer wire.

Cover Kits

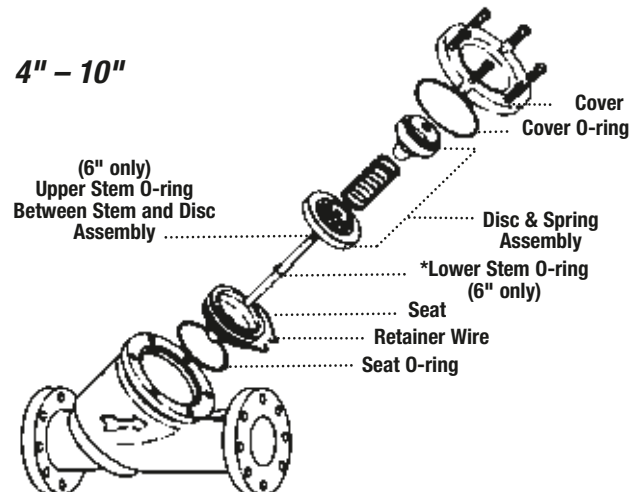
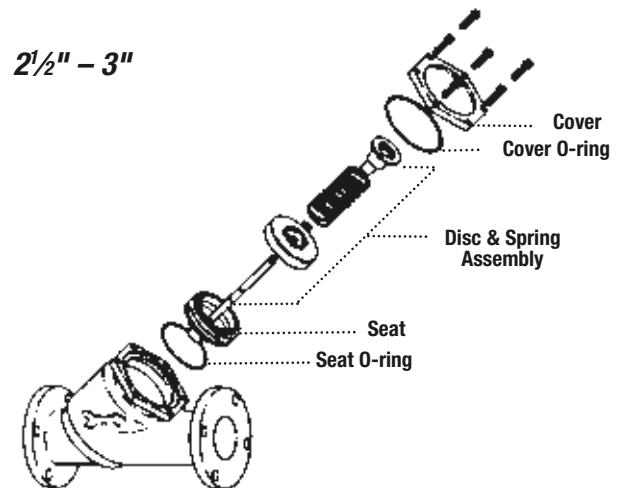
0887920	RK 709 C	2½" – 3"	176.60
0887921	RK 709 C	4"	198.00
0887922	RK 709 C	6"	276.55
0887923	RK 709 C	8"	454.00
0887924	RK 709 C	10"	1018.20

Kit consists of: cover and cover O-ring.

*6" also includes upper and lower stem O-ring



***WARNING:**
Spring assembly is factory assembled. DO NOT DISASSEMBLE.



Series 709DCDA

Double Check Detector Assemblies

Sizes 3" – 10"

Repair Kits

When ordering specify Ordering Code, Kit No., and Valve Size.

ORDERING CODE	KIT. NO.	SIZE	LIST PRICE
First Check Kits			
0887930	RK 709DCDA CK1	3"	\$354.05
0887931	RK 709DCDA CK1	4"	493.15
0887932	RK 709DCDA CK1	*6"	891.00
0887933	RK 709DCDA CK1	8"	1610.80
0887934	RK 709DCDA CK1	10"	2391.40

Second Check Kits

0887935	RK 709DCDA CK2	3"	276.60
0887936	RK 709DCDA CK2	4"	451.35
0887937	RK 709DCDA CK2	*6"	779.65
0887938	RK 709DCDA CK2	8"	1427.10
0887939	RK 709DCDA CK2	10"	1921.45

Kit consists of: disc assembly; spring and cover O-ring.

Rubber Parts (for one check)

0887940	RK 709DCDA RC4	3"	50.85
0887941	RK 709DCDA RC4	4"	68.00
0887942	RK 709DCDA RC4	*6"	77.50
0887943	RK 709DCDA RC4	8"	93.75
0887944	RK 709DCDA RC4	10"	128.50

Kit consists of: disc and cover O-ring.

***6" also includes lower stem O-ring**

Seat Kits

0887945	RK 709DCDA S	3"	110.70
0887946	RK 709DCDA S	4"	162.40
0887947	RK 709DCDA S	6"	279.60
0887948	RK 709DCDA S	8"	668.50
0887949	RK 709DCDA S	10"	780.95

Kit consists of: seat; seat O-ring; cover O-ring and retainer wire.

Cover Kits

0887950	RK 709DCDA C	3"	180.05
0887951	RK 709DCDA C	4"	201.85
0887952	RK 709DCDA C	6"	282.00
0887953	RK 709DCDA C	8"	462.70
0887954	RK 709DCDA C	10"	1037.95

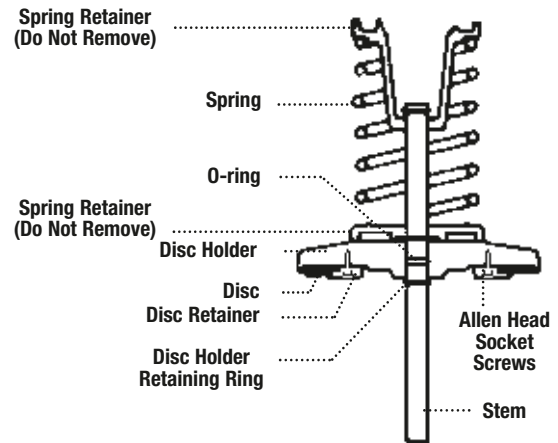
Kit consists of: cover and cover O-ring.

Complete Rubber Parts

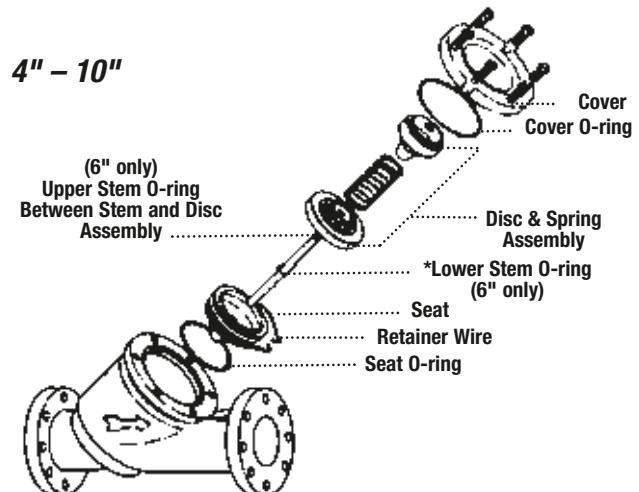
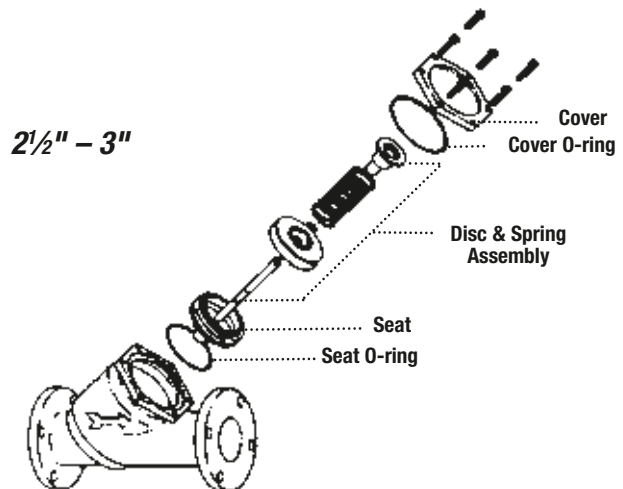
0887956	RK 709DCDA RT	3"	103.80
0887957	RK 709DCDA RT	4"	138.40
0887958	RK 709DCDA RT	*6"	158.00
0887959	RK 709DCDA RT	8"	191.40
0887960	RK 709DCDA RT	10"	261.85

Kit consists of: 2 discs and 2 cover O-rings.

***6" also includes upper and lower stem O-ring**



***WARNING:**
Spring assembly is factory assembled. DO NOT DISASSEMBLE.



Series 719

Double Check Valve Assemblies

Sizes 1/2" – 2"

Repair Kits

When ordering specify Ordering Code, Kit No., and Valve Size.

ORDERING CODE	KIT. NO.	SIZE	LIST PRICE
1st or 2nd Check Kits			
0888100	RK 719R10 CK4	1/2" – 3/4"	35.15
0889060	RK 719 CK4	1/2"	28.80
0889061	RK 719 CK4	3/4"	41.60
0889062	RK 719 CK4	1"	43.25
0888101	RK 719 CK4	1 1/4" – 1 1/2"	79.95
0888102	RK 719 CK4	2"	81.55

Kit consists of: Disc holder, Spring and Cover O-ring.

ORDERING CODE	KIT. NO.	SIZE	LIST PRICE
1st or 2nd Check Rubber Parts Kits			
0888103	RK 719R10 RC4	1/2" – 3/4"	14.55
0889063	RK 719 RC4	1/2"	17.50
0889064	RK 719 RC4	3/4"	18.15
0889065	RK 719 RC4	1"	21.95
0888104	RK 719 RC4	1 1/4" – 1 1/2"	23.30
0888105	RK 719 RC4	2"	23.65

Kit consists of: Disc rubber, Seat O-ring and Cover O-ring.

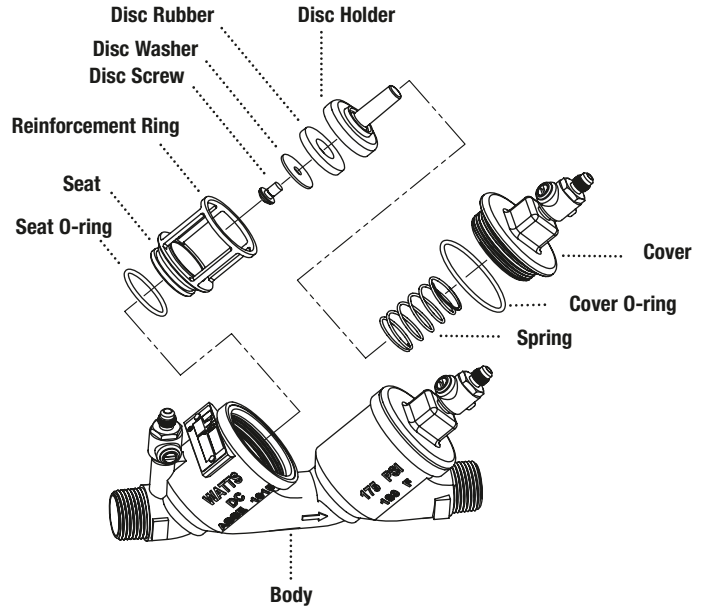
ORDERING CODE	KIT. NO.	SIZE	LIST PRICE
1st or 2nd Check Seat Kits			
0888997	RK 719R10 S	1/2" – 3/4"	24.65
0889069	RK 719 S	1/2"	22.20
0889070	RK 719 S	3/4"	29.25
0889071	RK 719 S	1"	30.20
0888998	RK 719 S	1 1/4" – 1 1/2"	45.95
0888999	RK 719 S	2"	50.95

Kit consists of: Seat, Seat O-ring and Cover O-ring.

ORDERING CODE	KIT. NO.	SIZE	LIST PRICE
1st or 2nd Check Cover Kits			
0888106	RK 719R10 C	1/2" – 3/4"	56.00
0889066	RK 719 C	1/2"	42.80
0889067	RK 719 C	3/4"	69.10
0889068	RK 719 C	1"	71.95
0888107	RK 719 C	1 1/4" – 1 1/2"	94.90
0888108	RK 719 C	2"	111.55

Kit consists of: Cover and Cover O-ring.

Note: For 1 1/4" 719R15 models use 1 1/4" - 1 1/2" repair kits.



Series 757, 757DCDA 757a, 757aDCDA

Double Check Valve Assemblies Double Check Detector Assemblies

Sizes 2½" – 10"

Repair Kits 757, 757DCDA

When ordering specify Ordering Code, Kit No., and Valve Size.

ORDERING CODE	KIT NO.	DISC	SIZE	LIST PRICE
First Check Kits				
7018128	RK 757/757DCDA CK1	Red Silicone	2½" – 4"	\$216.55
7018131	RK 757/757DCDA CK1	Red Silicone	6"	301.75
7018134	RK 757/757DCDA CK1	Red Silicone	8"	499.05
0899200	RK 757/757DCDA CK1	Red Silicone	10"	698.85

Kit consists of: first check module, check module O-ring and disc elastomer.

2nd Check Kits				
7018130	RK 757/757DCDA CK2	Red Silicone	2½" – 4"	188.10
7018133	RK 757/757DCDA CK2	Red Silicone	6"	293.20
0899206	RK 757/757DCDA CK2	Red Silicone	8"	499.05
0899201	RK 757/757DCDA CK2	Red Silicone	10"	698.85

Kit consists of: second check module, check module O-ring and disc elastomer.

1st or 2nd Check Rubber Parts Kits				
0899202	RK 757/757DCDA RC4	Red Silicone	2½" – 4"	28.10
0899203	RK 757/757DCDA RC4	Red Silicone	6"	35.85
0899204	RK 757/757DCDA RC4	Red Silicone	8"	50.35
0899205	RK 757/757DCDA RC4	Red Silicone	10"	112.45

Kit consists of: check module O-ring, disc elastomer and E-clip.

Check Sleeve Cover Kits				
0899211	RK 757/757DCDA C		2½" – 4"	181.90
0899212	RK 757/757DCDA C		6"	295.65
0899213	RK 757/757DCDA C		8"	560.45
0899214	RK 757/757DCDA C		10"	701.05

Kit consists of: closure sleeve, sleeve O-ring and gasket.

Repair Kits 757a, 757aDCDA – Sizes 2½" – 6"

When ordering specify Ordering Code, Kit No., and Valve Size.

ORDERING CODE	KIT NO.	DISC	SIZE	LIST PRICE
1st Check Kits				
0899250	RK 757a/757aDCDA CK1	EPDM	2½" – 4"	\$216.55
0899251	RK 757a/757aDCDA CK1	EPDM	6"	301.75

Kit consists of: first check module, check module O-ring, disc elastomer.

2nd Check Kits				
0899254	RK 757a/757aDCDA CK2	EPDM	2½" – 4"	188.10
0899255	RK 757a/757aDCDA CK2	EPDM	6"	293.20

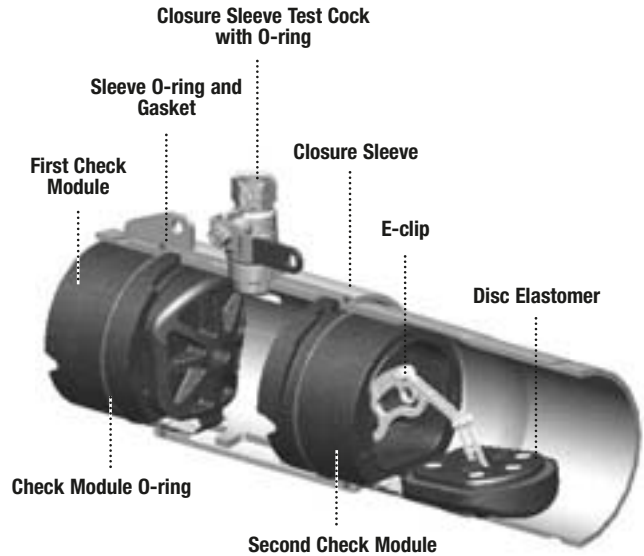
Kit consists of: second check module, check module O-ring, disc elastomer.

1st or 2nd Check Rubber Parts Kits				
0899258	RK 757a/757aDCDA RC4	EPDM	2½" – 4"	28.10
0899259	RK 757a/757aDCDA RC4	EPDM	6"	35.85

Kit consists of: check module O-ring, disc elastomer and E-clip.

1st or 2nd Check Cover Kits				
0899266	RK 757a/757aDCDA C		2½" – 4"	181.90
0899267	RK 757a/757aDCDA C		6"	255.70

Kit consists of: closure sleeve, 2 pieces of sleeve O-ring.



Series 770, 770DCDA

Double Check Valve Assemblies Double Check Detector Assemblies

Sizes 4" – 8"

Repair Kits 770

When ordering specify Ordering Code, Kit No., and Valve Size.

ORDERING CODE	KIT NO.	SIZE	LIST PRICE
---------------	---------	------	------------

Check Repair Kits

0887070	RK 770 CK4	4"	\$355.25
0887071	RK 770 CK4	6"	656.05
0887072	RK 770 CK4	8"	1148.85

Kit consists of: spring assembly and cover O-ring.

Check Rubber Parts

0887091	RK 770 RC4	4"	488.20
0887092	RK 770 RC4	6"	617.65
0887093	RK 770 RC4	8"	788.20

Kit consists of: cover O-ring; bolt O-ring; disc - for one check.

Complete Repair Kits

0887079	RK 770 T	4"	891.60
0887080	RK 770 T	6"	1592.65
0887081	RK 770 T	8"	2654.30

Kit consists of: 2 cover O-rings; 2 bolts O-ring; 2 disc; 2 spring assemblies - for both checks.

Seat Kits

0887085	RK 770 S	4"	90.45
0887086	RK 770 S	6"	140.35
0887087	RK 770 S	8"	178.35

Kit consists of: seat; seat O-ring for one check.

Repair Kits 770DCDA

When ordering specify Ordering Code, Kit No., and Valve Size.

ORDERING CODE	KIT NO.	SIZE	LIST PRICE
---------------	---------	------	------------

Check Repair Kits

0887073	RK 770DCDA CK1	4"	\$355.25
0887074	RK 770DCDA CK1	6"	656.05
0887075	RK 770DCDA CK1	8"	1148.85
0887076	RK 770DCDA CK2	4"	355.25
0887077	RK 770DCDA CK2	6"	656.05
0887078	RK 770DCDA CK2	8"	1148.85

Kit consists of: spring assembly and cover O-ring.

Check Rubber Parts

0887082	RK 770DCDA RC4	4"	488.20
0887083	RK 770DCDA RC4	6"	617.65
0887084	RK 770DCDA RC4	8"	788.20

Kit consists of: cover O-ring; bolt O-ring; disc - for one check.

Complete Repair Kit

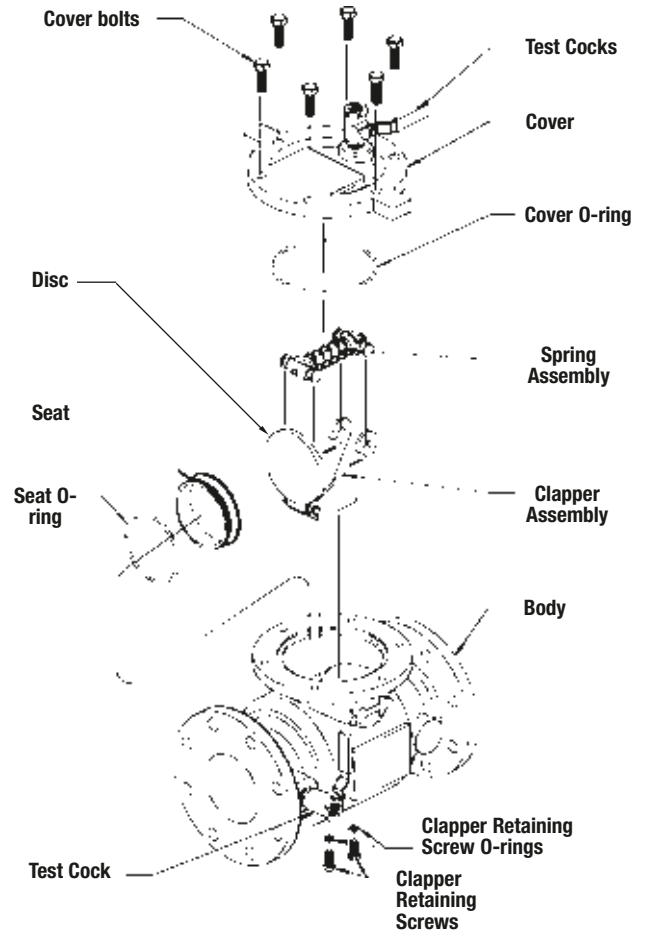
0887088	RK 770DCDA T	4"	891.60
0887089	RK 770DCDA T	6"	1592.65
0887090	RK 770DCDA T	8"	2654.30

Kit consists of: 2 cover O-ring; 2 bolts O-ring; 2 disc; 2 spring assemblies - for both checks.

Seat Kits

0887100	RK 770DCDA S	4"	90.45
0887095	RK 770DCDA S	6"	140.35
0887096	RK 770DCDA S	8"	178.35

Kits consist of: seat; seat O-ring - for one check.



Series 772, 772DCDA

Double Check Valve Assemblies Double Check Detector Assemblies

Sizes 4" – 10"

Repair Kits 772

NOTE: 772 Series utilizes 770 repair kits

When ordering specify Ordering Code, Kit No., and Valve Size.

ORDERING CODE	KIT NO.	SIZE	LIST PRICE
1st or 2nd check kits			
0887070	RK 770 CK4	4"	\$355.25
0887071	RK 770 CK4	6" – 8"	656.05
0887072	RK 770 CK4	10"	1148.85

Kit consists of: spring assembly and cover O-ring.

Check Rubber Parts

0887091	RK 770 RC4	4"	488.20
0887092	RK 770 RC4	6" – 8"	617.65
0887093	RK 770 RC4	10"	788.20

Kit consists of: cover O-ring; bolt O-ring; disc - for one check.

Complete Repair Kits

0887079	RK 770 T	4"	891.60
0887080	RK 770 T	6" – 8"	1592.65
0887081	RK 770 T	10"	2654.30

Kit consists of: 2 cover O-rings; 2 discs; 2 spring assembly; 2 bolt O-ring - for both checks.

Seat Kits

0887085	RK 770 S	4"	90.45
0887086	RK 770 S	6" – 8"	140.35
0887087	RK 770 S	10"	178.35

Kit consists of: seat; seat O-ring - for one check.

Repair Kits 772DCDA

NOTE: 772 Series utilizes 770 repair kits

ORDERING CODE	KIT NO.	SIZE	LIST PRICE
1st or 2nd check kits			
0887073	RK 770DCDA CK1	4"	\$355.25
0887074	RK 770DCDA CK1	6" – 8"	656.05
0887075	RK 770DCDA CK1	10"	1148.85
0887076	RK 770DCDA CK2	4"	355.25
0887077	RK 770DCDA CK2	6" – 8"	656.05
0887078	RK 770DCDA CK2	10"	1148.85

Kit consists of: spring assembly and cover O-ring.

Check Rubber Parts

0887082	RK 770 DCDA RC4	4"	488.20
0887083	RK 770 DCDA RC4	6" – 8"	617.65
0887084	RK 770 DCDA RC4	10"	788.20

Kit consists of: cover O-ring; bolt O-ring; disc - for one check.

Complete Repair Kits

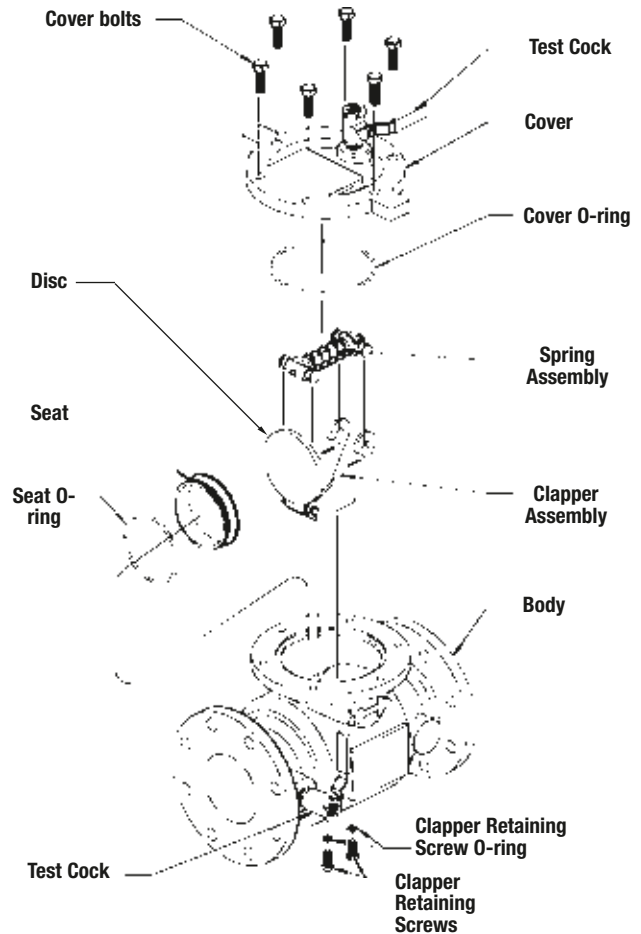
0887088	RK 770 DCDA T	4"	891.60
0887089	RK 770 DCDA T	6" – 8"	1592.65
0887090	RK 770 DCDA T	10"	2654.30

Kit consists of: 2 cover O-rings; 2 discs; 2 spring assembly; 2 bolt O-ring - for both checks.

Seat Kits

0887100	RK 770DCDA S	4"	90.45
0887095	RK 770DCDA S	6" – 8"	140.35
0887096	RK 770DCDA S	10"	178.35

Kit consists of: seat; seat O-ring - for one check.



Series 773, 773DCDA

Double Check Valve Assemblies

Double Check Detector Assemblies

Sizes 4" and 6"

Repair Kits 773

When ordering specify Ordering Code, Kit No., and Valve Size.

ORDERING CODE	KIT NO.	SIZE	LIST PRICE
---------------	---------	------	------------

First or Second Check Kit

0888415	RK 773 CK4	4"	\$480.45
0888428	RK 773 CK4	6"	829.90

Kit consists of: disc & spring assembly and cover O-ring.

First or Second Check Rubber Parts Kit

0888416	RK 773 RC4	4"	72.30
0888429	RK 773 RC4	6"	82.50

Kit consists of: disc; seat O-ring and cover O-ring.

Seat Kit for Check

0888417	RK 773 S	4"	172.80
0888430	RK 773 S	6"	297.70

Kit consists of: seat; seat O-ring; cover O-ring and retainer wire.

Cover Kit

0888418	RK 773 C	4"	210.90
0888431	RK 773 C	6"	294.45

Kit consists of: cover and cover O-ring.

Repair Kits 773DCDA

When ordering specify Ordering Code, Kit No., and Valve Size.

ORDERING CODE	KIT NO.	SIZE	LIST PRICE
---------------	---------	------	------------

First Check Kit

0888420	RK 773DCDA CK1	4"	\$524.90
0888432	RK 773DCDA CK1	6"	948.55

Second Check Kit

0888421	RK 773DCDA CK2	4"	480.45
0888433	RK 773DCDA CK2	6"	829.90

Kit consists of: disc & spring assembly and cover O-ring.

First or second check Rubber Parts Kit

0888422	RK 773DCDA RC4	4"	72.30
0888434	RK 773DCDA RC4	6"	82.50

Kit consists of: disc; seat O-ring and cover O-ring.

Seat Kit for Check

0888423	RK 773DCDA S	4"	172.80
0888435	RK 773DCDA S	6"	297.70

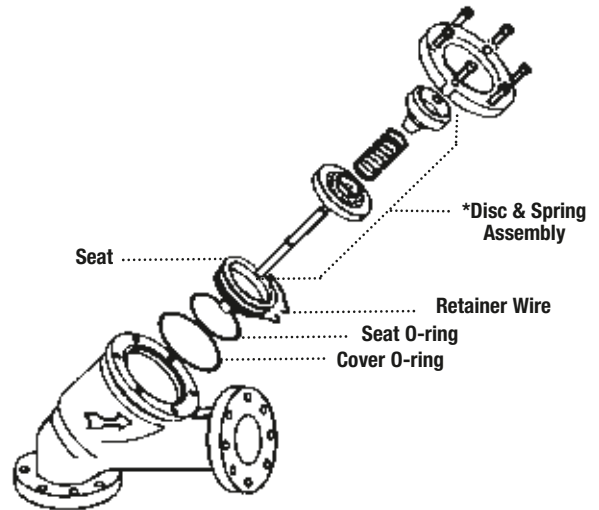
Kit consists of: seat; seat O-ring; cover O-ring and retainer wire.

Cover Kit

0888424	RK 773DCDA C	4"	210.90
0888436	RK 773DCDA C	6"	294.45

Kit consists of: cover and cover O-ring.

4" and 6"



***WARNING:**
Spring assembly is factory assembled. DO NOT DISASSEMBLE.

NOTE: No special tools required to service Series 773

Series 774, 774DCDA, 774X, 774XDCDA

Double Check Valve Assemblies Double Check Detector Assemblies

Sizes 2½" – 12"

Repair Kits

When ordering specify Ordering Code, Kit No., and Valve Size.

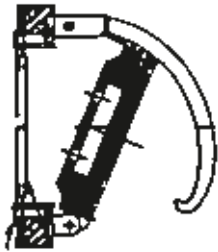
ORDERING CODE	KIT NO.	SIZE	FOR USE W/MODEL #S	LIST PRICE
First Check Kit				
0888820	RK 774/774DCDA CK 1	2½", 3", 4"	2½"-4" 774/774DCDA/6" 774X/774XDCDA	\$206.10
0888821	RK 774/774DCDA CK 1	6"	6" 774/774DCDA/8" 774X/774XDCDA	219.70
0888827	RK 774/774DCDA CK4	8" – 12"	774/774DCDA	633.65
Kit consists of: complete #1 cam check with check O-ring.				
Second Check Kit				
0888822	RK 774/774DCDA CK 2	2½", 3", 4"	2½"-4" 774/774DCDA/6" 774X/774XDCDA	206.10
0888823	RK 774/774DCDA CK 2	6"	6" 774/774DCDA/8" 774X/774XDCDA	219.70
0888827	RK 774/774DCDA CK4	8" – 12"	774/774DCDA	633.65
Kit consists of: complete #2 cam check with check O-ring.				
Cover Kit				
0888824	RK 774/774DCDA C	2½", 3", 4"	2½"-4" 774/774DCDA	235.60
0888825	RK 774/774DCDA C	6"	6" 774/774DCDA/8" 774X/774XDCDA	351.05
0888826	RK 774X/774XDCDA C	6"	6" 774X/774XDCDA	270.00
0888828	RK 774/774DCDA C	8" – 12"	774/774DCDA	450.05

Kit consists of: cover; grooved coupler & gasket.

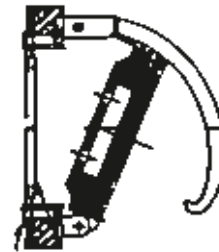
For 6" 774X 1st & 2nd check, use RK 774 CK1 & CK2 4"
For 8" 774X 1st & 2nd check, use RK 774 CK1 & CK2 6"
For 8" 774X cover kit, use RK 774 C 6"

For 6" 774XDCDA 1st & 2nd check, use RK 774DCDA CK1 & CK2 4"
For 8" 774XDCDA 1st & 2nd check, use RK 774DCDA CK1 & CK2 6"
For 8" 774XDCDA cover kit, use RK 774DCDA C 6"

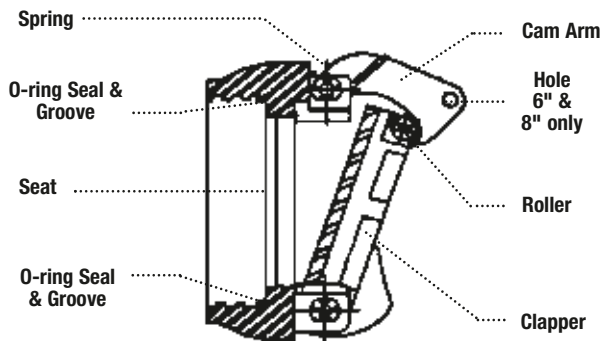
First Check 8" – 12"



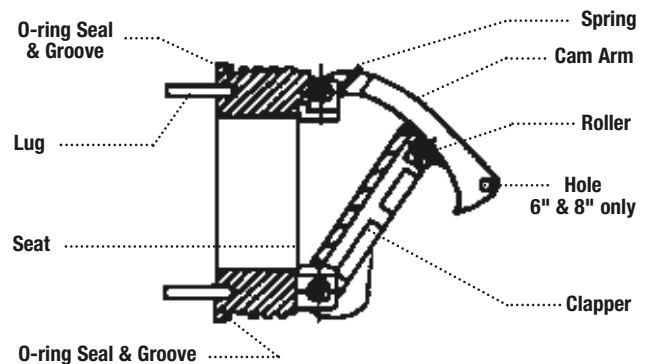
Second Check 8" – 12"



First Check 2½" – 6"



Second Check 2½" – 6"



Series 775

Double Check Valve Assemblies

Sizes 1/2" – 2"

Repair Kits

When ordering specify Ordering Code, Kit No., and Valve Size.

ORDERING CODE	KIT NO.	SIZE	LIST PRICE
1st Check Kits			
0888560	RK 775 CK1	1/2" – 3/4"	\$20.55
0888561	RK 775 CK1	1"	42.45
0888562	RK 775 CK1	1 1/4" – 1 1/2"	81.50
0888563	RK 775 CK1	2"	83.10

Kit consists of: disc assembly; seat; seat O-ring; spring; cage and cover O-ring.

2nd Check Kits			
0888564	RK 775 CK2	1/2" – 3/4"	20.55
0888565	RK 775 CK2	1"	42.45
0888566	RK 775 CK2	1 1/4" – 1 1/2"	81.50
0888567	RK 775 CK2	2"	83.10

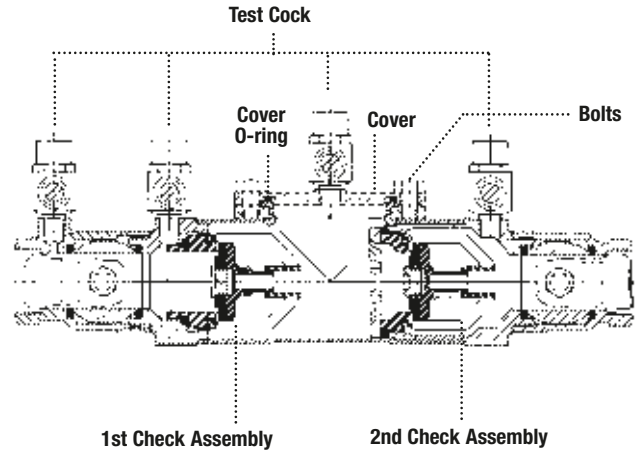
Kit consists of: disc assembly; seat; seat O-ring; spring; cage and cover O-ring.

Rubber Parts Kits			
0888568	RK 775 RT	1/2" – 3/4"	17.80
0888569	RK 775 RT	1"	17.80
0888570	RK 775 RT	1 1/4" – 1 1/2"	24.80
0888571	RK 775 RT	2"	24.80

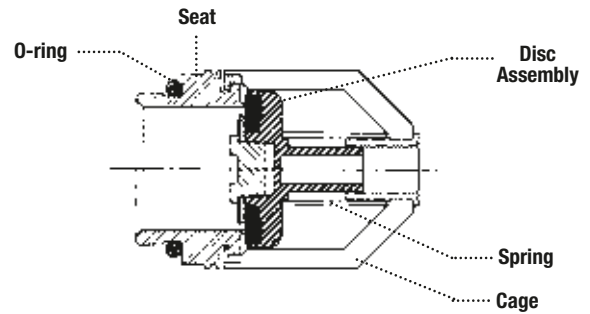
Kit consists of: 2 disc assemblies; 2 seat O-rings and cover O-ring.

Cover Kits			
0888572	RK 775C	1/2" – 3/4"	48.65
0888573	RK 775C	1"	70.45
0888574	RK 775C	1 1/4" – 1 1/2"	96.75
0888575	RK 775C	2"	109.50

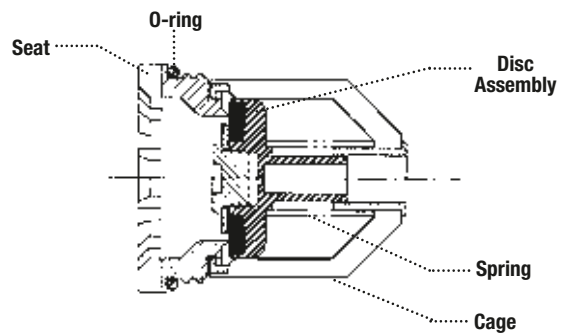
Kit consists of: cover and cover O-ring.



1st Check



2nd Check



Series 775, 775DCDA

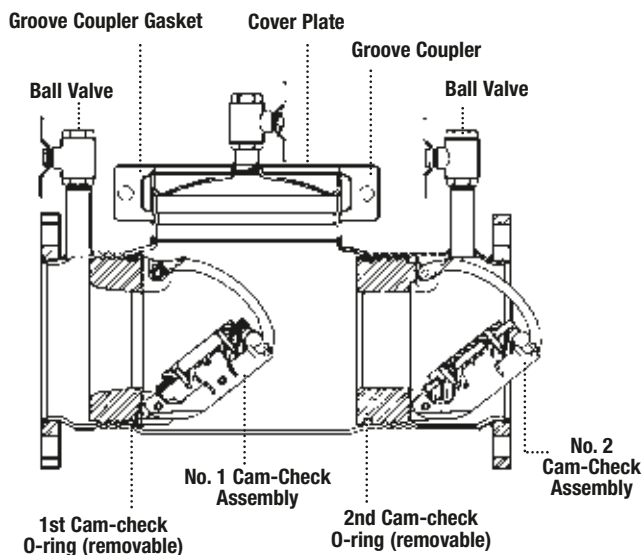
Double Check Valve Assemblies Double Check Detector Assemblies

Sizes 3" – 8"

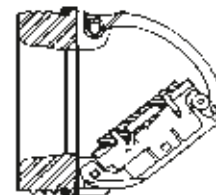
Repair Kits

When ordering specify Ordering Code, Kit No., and Valve Size.

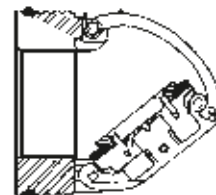
ORDERING CODE	KIT NO.	SIZE	FOR USE WITH /MODEL #'S	LIST PRICE
First Check Kit				
0888900	RK 775/775DCDA CK 1	3" – 4"	3" – 4" 775/775DCDA/N775/N775DCDA	\$304.75
0888901	RK 775/775DCDA CK 1	6" – 8"	6" – 8" 775/775DCDA/N775/N775DCDA	422.50
Kit consists of: complete No. 1 check assembly with check O-ring.				
Second Check Kit				
0888902	RK 775/775DCDA CK 2	3" – 4"	3" – 4" 775/775DCDA/N775/N775DCDA	398.60
0888903	RK 775/775DCDA CK 2	6" – 8"	6" – 8" 775/775DCDA/N775/N775DCDA	536.95
Kit consists of: complete No. 2 check assembly with check O-ring.				
Cover Kit				
0888904	RK 775/775DCDA C	3" – 4"	3" – 4" 775/775DCDA/N775/N775DCDA	187.70
0888905	RK 775/775DCDA C	6" – 8"	6" – 8" 775/775DCDA/N775/N775DCDA	352.15
Kit consists of: cover; grooved coupler & gasket.				
First Check Rubber Parts Kit				
0888906	RK 775/775DCDA RC1	3" – 4"	3" – 4" 775/775DCDA/N775/N775DCDA	14.20
0888907	RK 775/775DCDA RC1	6" – 8"	6" – 8" 775/775DCDA/N775/N775DCDA	20.20
Kit consists of: first check assembly O-ring and check disc.				
Second Check Rubber Parts Kit				
0888908	RK 775/775DCDA RC2	3" – 4"	3" – 4" 775/775DCDA/N775/N775DCDA	21.95
0888909	RK 775/775DCDA RC2	6" – 8"	6" – 8" 775/775DCDA/N775/N775DCDA	32.15
Kit consists of: second check assembly O-ring and check disc.				
Rubber Total Parts Kit				
0888910	RK 775/775DCDA RT	3" – 4"	3" – 4" 775/775DCDA/N775/N775DCDA	32.20
0888911	RK 775/775DCDA RT	6" – 8"	6" – 8" 775/775DCDA/N775/N775DCDA	36.25
Kit consists of: first and second check assembly O-ring; and first and second check disc.				



No. 1 Check Assembly



No. 2 Check Assembly



Troubleshooting Guide

Double Check Valve Assemblies, Double Check Detector Assemblies

1

Single & Double Check Assemblies

PROBLEM	CAUSE	Should valve be replaced?	SOLUTION
A. Double check valve fails to hold 1.0 PSID minimum.			
	A-1 Debris on check disc sealing surface.	No	Check valve must be disassembled and cleaned
	A-2 Leaking gate valve	No	Gate valve must be disassembled and cleaned
	A-3 Damaged seat disc or seat O-ring	No	Disassemble damage check and replace
	A-4 Damaged guide holding check open	No	Disassemble and clean or replace if necessary
	A-5 Weak or broken spring	No	Check valve must be disassemble and spring replaced
B Chatter during flow conditions			
	B-1 Worn, damaged or defective guide	No	Disassemble and repair or replace guide
C. Low flows passing through mainline valve (DCDA only)			
	C-1 Check(s) on mainline are fouled	No	Mainline check(s) must be disassemble and cleaned
	C-2 Meter strainer on bypass line is plugged	No	Strainer must be disassemble and cleaned
	C-3 Mainline seat disc or seat is damage	No	Disassemble damage seat disc or seat and replace
	C-4 Broken mainline spring	No	Mainline check must be disassemble and spring replaced

Series 009

Reduced Pressure Zone Assemblies

Sizes 1/4" – 2"

Relief valve kits

When ordering specify Ordering Code, Kit No., and Valve Size.

1/4" – 1"

ORDERING CODE	KIT NO.	SIZE	LIST PRICE
---------------	---------	------	------------

Total Relief Valve Kits

0887294	RK 009 VT	1/4"– 1/2"	\$67.90
0887509	RK SS009 VT	1/2"	69.10
0887002	RK 009M2 VT	3/4"	84.85
0887520	RK SS009M2/M3 VT	1/4"– 3/4"	86.60
0888524	RK 009M3 VT	3/4"	84.85
0887015	RK 009 VT	3/4" – 1"	120.70
0887503	RK SS009VT	1"	118.30
0887785	RK 009M2 VT	1"	116.15

Kit consists of: seat, seat O-ring, stem & diaphragm assembly, Stem O-ring, cover O-ring and RV spring.

Relief Valve Rubber Parts Kits

0887295	RK 009 RV	1/4"– 1/2"	29.00
0887510	RK SS009 RV	1/2"	29.70
0886998	RK 009M2 RV	3/4"	32.85
0887519	RK SS009M2/M3 RV	1/4"– 3/4"	35.05
0888523	RK 009M3 RV	3/4"	32.85
0887181	RK 009 RV	3/4"– 1"	34.10
0887529	RK SS009 RV	3/4"– 1"	35.05
0887786	RK 009M2 RV	1"	32.85

Kit consists of: diaphragm, disc assembly, stem O-rings, seat O-ring and cover O-ring.

Total Rubber Parts Kits

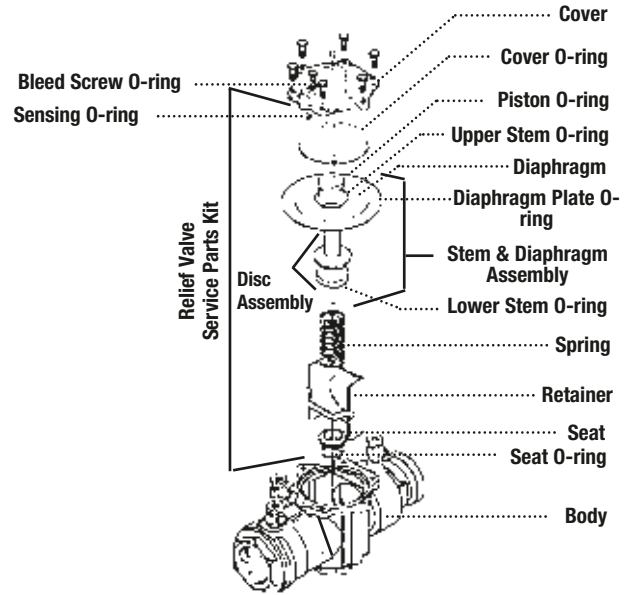
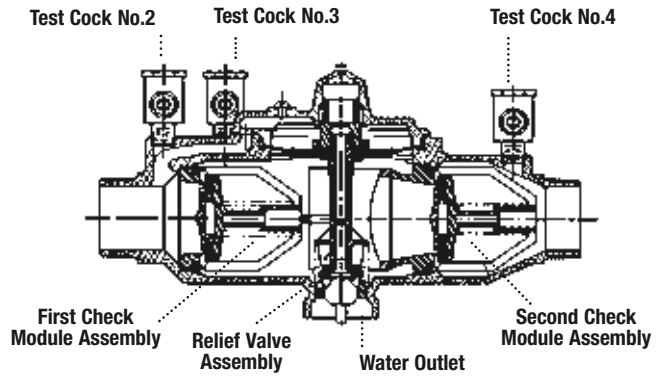
0887297	RK 009 RT	1/4"– 1/2"	46.05
0887511	RK SS009 RT	1/2"	47.00
0886999	RK 009M2 RT	3/4"	49.10
0887521	RK SS009M2 RT	1/4" – 3/4"	52.75
0888597	RK SS009M3 RT	1/4"– 3/4"	52.75
0888526	RK 009M3 RT	3/4"	51.10
0887182	RK 009 RT	3/4"– 1"	51.10
0887530	RK SS009 RT	1"	52.70
0887787	RK 009M2 RT	1"	49.10

Kit consists of: diaphragm, two disc assemblies, stem O-rings, cover O-ring, two seat O-rings and RV seat O-ring.

Cover Kits

0887296	RK 009 C	1/4"– 1/2"	41.30
0887500	RK SS009 C	1/2"	122.25
0887004	RK 009M2 C	3/4"	45.90
0887501	RK SS009M2/M3 C	1/4"– 3/4"	136.15
0888525	RK 009M3 C	3/4"	45.90
0887013	RK 009 C	3/4"– 1"	69.10
0887502	RK SS009 C	1"	197.60
0887788	RK 009M2 C	1"	66.55

Kit consists of: cover and cover O-ring.



1 1/4" – 2"

ORDERING CODE	KIT NO.	SIZE	LIST PRICE
---------------	---------	------	------------

Relief Valve Total Kits

0887307	RK 009M2 VT	1/4"– 1/2"	\$157.95
0887277	RK 009M1 VT	1/4"– 2"	223.90
0887016	RK 009 VT	1/4"– 2"	232.75
0887545	RK 009M2 VT	2"	219.65

Kit consists of: RV assembly, seat, seat O-ring, cover O-ring, sensing passage O-ring and upper stem O-ring and RV spring.

Relief Valve Rubber Parts Kits

0887306	RK 009M2 RV	1/4"– 1/2"	38.35
0887276	RK 009M1 RV	1/4"– 2"	40.20
0887184	RK 009 RV	1/4"– 2"	43.45
0887544	RK 009M2 RV	2"	39.35

Kit consists of: diaphragm, seat O-ring, cover O-ring and sensing passage O-ring.

Complete Rubber Parts Kits

0887309	RK 009M2 RT	1/4"– 1/2"	75.90
0887280	RK 009M1 RT	1/4"– 2"	82.30
0887185	RK 009 RT	1/4"– 2"	106.55
0887547	RK 009M2 RT	2"	76.80

Kit consists of: two check assembly O-rings, two disc assemblies, one cover O-ring, one RV diaphragm, one RV seat O-ring, one sensing passage O-ring, one diaphragm plate O-ring, one RV lower stem O-ring, one RV upper stem O-ring, one RV disc assembly and one bleed screw O-ring.

Cover Kits

0887308	RK 009M2 C	1/4"– 1/2"	93.20
0887278	RK 009M1 C	1/4"– 2"	107.35
0887014	RK 009 C	1/4"– 2"	111.55
0887546	RK 009M2 C	2"	105.25

Kit consists of: cover, cover O-ring sensing passage O-ring, bleed screw O-ring, vent hood and bleed screw.

2

Reduced Pressure Zone Assemblies

Series 009

Reduced Pressure Zone Assemblies

Sizes 1/4" – 2"

Check valve kits

When ordering specify Ordering Code, Kit No., and Valve Size.

1/4" – 1"

ORDERING CODE	KIT NO.	SIZE	LIST PRICE
---------------	---------	------	------------

First Check Kits

0887291	RK 009 CK1	1/4" – 1/2"	\$29.00
0887505	RK SS009 CK1	1/2"	29.70
0887000	RK 009M2 CK1	3/4"	24.15
0887515	RK SS009M2/M3 CK1	1/4" – 3/4"	24.60
0888520	RK 009M3 CK1	3/4"	24.15
0887005	RK 009 CK1	3/4" – 1"	45.75
0887009	RK 009 CK1SS	3/4" – 1"	169.90
0887525	RK SS009 CK1	1"	44.90
0887789	RK 009 M2 CK1	1"	44.05

Kit consists of: check assembly and cover O-ring.

Second Check Kits

0887292	RK 009 CK2	1/4" – 1/2"	28.30
0887506	RK SS009 CK2	1/2"	28.80
0887001	RK 009M2 CK2	3/4"	19.80
0887516	RK SS009M2/M3 CK2	1/4" – 3/4"	20.25
0888521	RK 009M3 CK2	3/4"	19.80
0887007	RK 009 CK2	3/4" – 1"	41.60
0887011	RK 009 CK2SS	3/4" – 1"	146.10
0887526	RK SS009 CK2	1"	40.85
0887790	RK 009M2 CK2	1"	40.05

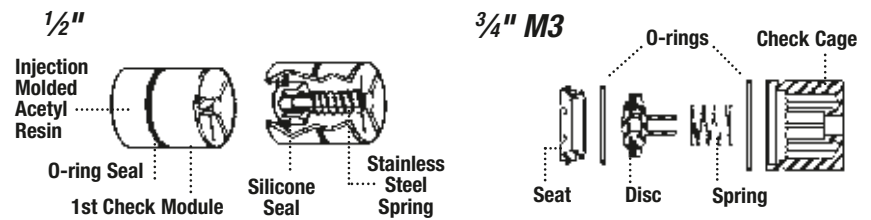
Kit consists of: check assembly and cover O-ring.

Check Rubber Parts

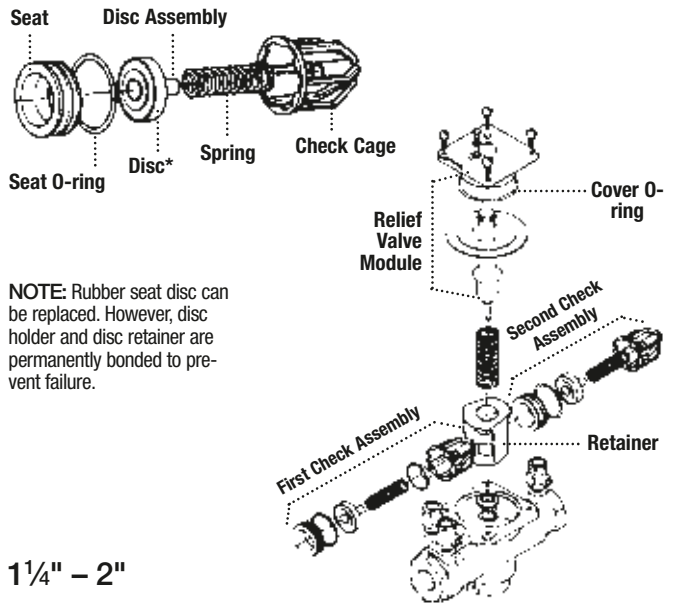
0887293	RK 009 RC3	1/4" – 1/2"	17.10
0887507	RK SS009 RC1	1/2"	17.50
0887508	RK SS009 RC2	1/2"	17.50
0887003	RK 009M2 RC3	3/4"	16.30
0887517	RK SS009M2 RC1	3/4"	17.50
0888595	RK SS009M3 RC1	1/4" – 3/4"	17.50
0888596	RK SS009M3 RC2	1/4" – 3/4"	17.50
0887518	RK SS009M2 RC2	3/4"	17.50
0888522	RK 009M3 RC3	3/4"	16.30
0887017	RK 009 RC1	3/4" – 1"	8.50
0887180	RK 009 RC2	3/4" – 1"	8.50
0887527	RK 009 RC1	1"	8.70
0887528	RK 009 RC2	1"	8.70
0887791	RK 009M2 RC1	1"	8.25
0887792	RK 009M2 RC2	1"	8.25

Kit consists of: disc, cover O-ring and seat O-ring.

CHECK ASSEMBLIES



1" – 2"



NOTE: Rubber seat disc can be replaced. However, disc holder and disc retainer are permanently bonded to prevent failure.

1 1/4" – 2"

ORDERING CODE	KIT NO.	SIZE	LIST PRICE
---------------	---------	------	------------

First Check Kits

0887300	RK 009M2 CK1	1/4" – 1/2"	\$84.05
0887270	RK 009M1 CK1	1/4" – 2"	91.55
0887006	RK 009 CK1	1/4" – 2"	93.35
0887010	RK 009 CK1SS	1/4" – 2"	242.35
0887272	RK 009M1 CK1SS	1/4" – 2"	233.15
0887540	RK 009M2 CK1	2"	89.65

Kit consists of: first check assembly, cover O-ring and sensing passage O-ring.

Second Check Kits

0887301	RK 009M2 CK2	1/4" – 1/2"	78.40
0887271	RK 009M1 CK2	1/4" – 2"	81.50
0887008	RK 009 CK2	1/4" – 2"	83.05
0887012	RK 009 CK2SS	1/4" – 2"	209.35
0887273	RK 009M1 CK2SS	1/4" – 2"	201.35
0887541	RK 009M2 CK2	2"	79.95

Kit consists of: second check assembly, cover O-ring and sensing passage O-ring.

First Check Rubber Parts Kits

0887304	RK 009M2 RC1	1/4" – 1/2"	17.80
0887274	RK 009M1 RC1	1/4" – 2"	21.05
0887018	RK 009 RC1	1/4" – 2"	31.40
0887542	RK 009M2 RC1	2"	18.70

Kit consists of: first check assembly O-ring, disc holder assembly, cover O-ring and sensing passage O-ring.

Second Check Rubber Parts Kits

0887305	RK 009M2 RC2	1/4" – 1/2"	17.80
0887275	RK 009M1 RC2	1/4" – 2"	21.05
0887183	RK 009 RC2	1/4" – 2"	31.55
0887543	RK 009M2 RC2	2"	18.70

Kit consists of: second check assembly O-ring, disc holder assembly, cover O-ring and sensing passage O-ring.

Series 009

Reduced Pressure Zone Assemblies

Sizes 2½" – 3"

Relief valve kits

When ordering specify Ordering Code, Kit No., and Valve Size.

ORDERING CODE	KIT NO.	SIZE	LIST PRICE
Total Relief Valve Kit			
0887021	RK 009 VT	2½" – 3"	\$469.75

Kit consists of: seat, stem assembly, spring, two piston O-rings, flow tube O-ring and cover O-ring.

Relief Valve Rubber Parts

0887206	RK 009 RV	2½" – 3"	84.45
---------	-----------	----------	-------

Kit consists of: diaphragm, disc, molded disc assembly, piston O-ring, stem O-ring and cover O-ring.

Stem O-ring located between stem and piston O-ring.

Check valve kits

When ordering specify Ordering Code, Kit No., and Valve Size.

ORDERING CODE	KIT NO.	SIZE	LIST PRICE
First Check Parts Kit			
0887019	RK 009 CK1	2½" – 3"	\$345.55

Kit consists of: check assembly, cover O-ring and flow tube O-ring.

Second Check Parts Kit

0887020	RK 009 CK2	2½" – 3"	335.15
---------	------------	----------	--------

Kit consists of: check assembly, cover O-ring and flow tube O-ring.

First Check Rubber Parts Kit

0887281	RK 009 RC1	2½" – 3"	118.85
---------	------------	----------	--------

Second Check Rubber Parts Kit

0887205	RK 009 RC2	2½" – 3"	91.80
---------	------------	----------	-------

Kit consists of: disc, seat O-ring, cover O-ring and flow tube O-ring.

Total Rubber Parts

0887207	RK 009 RT	2½" – 3"	294.90
---------	-----------	----------	--------

Kit consists of: diaphragm, two molded disc assemblies, two seat O-rings, RV O-ring, two piston O-rings, RV stem O-ring, flow tube O-ring and cover O-ring.

Cover Kit

0887282	RK 009 C	2½" – 3"	286.30
---------	----------	----------	--------

Kit consists of: cover, cover O-ring and flow tube O-ring.

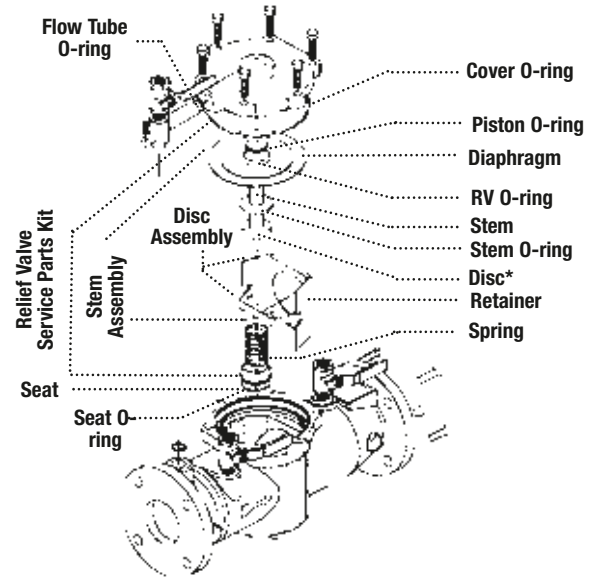
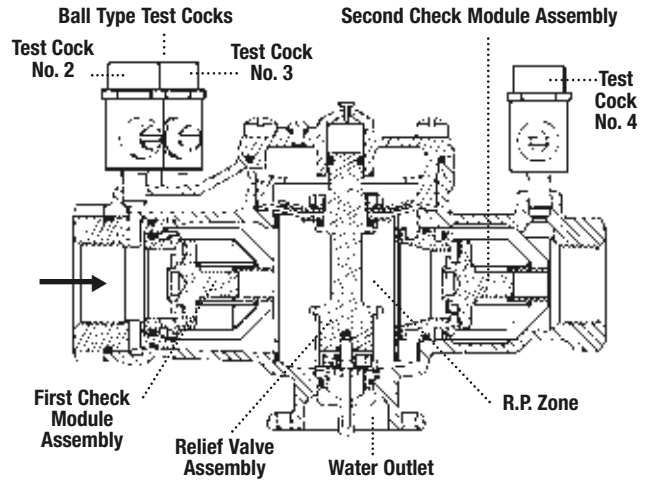
Check Seat Kit

0887208	RK 009 S1	2½" – 3"	71.10
0887209	RK 009 S2	2½" – 3"	71.10

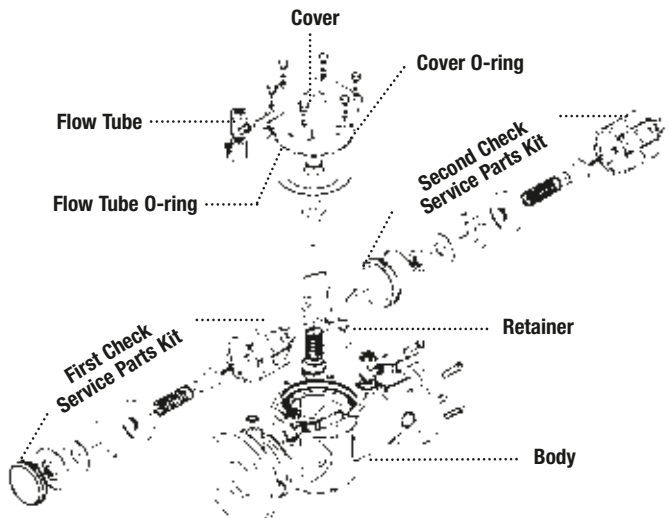
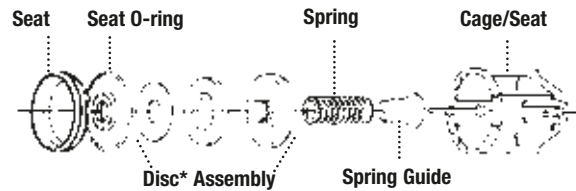
Kit consists of: check seat, seat O-ring and cover O-ring.

NOTE: Rubber seat disc can be replaced. However, disc holder and disc retainer are permanently bonded to prevent failure.

NOTE: First and Second Check Valve modules are not interchangeable.



Check Assemblies



Series 900

Reduced Pressure Zone Assemblies

Size 3/4" – 2"

Repair kits

When ordering specify Ordering Code, Kit No., and Valve Size.

ORDERING CODE	KIT NO.	SIZE	LIST PRICE
---------------	---------	------	------------

Complete Repair Kits

0881240	45 BFP-RK	3/4", 1", 1 1/4"	\$286.00
0881263	47 BFP-RK	1 1/2", 2"	525.80

Kit consists of: inlet adapter gasket, first check valve assembly, with spring and O-ring, second check valve spring, two union nut gaskets, relief valve spring, second check valve assembly, stem O-ring, maintenance tool and silicone grease.

Rubber Parts Kits

0881241	46 BFP-RK	3/4", 1", 1 1/4"	221.75
0881264	48 BFP-RK	1 1/2", 2"	373.60

Kit consists of: molded disc and piston O-ring.

Relief Valve Seat and Seal Kits

0881245	34 BFP-RK	3/4", 1", 1 1/4"	69.90
0881275	35 BFP-RK	1 1/2", 2"	81.60

Kit consists of: relief valve seat and O-ring.

Sizes 2 1/2" - 6"

Check kits

When ordering specify Ordering Code, Kit No., and Valve Size.

ORDERING CODE	KIT NO.	SIZE	LIST PRICE
---------------	---------	------	------------

First Check Assembly & Relief Valve Kits

0889100	36 BFP-RK	2 1/2", 3"	\$1426.95
0889110	37 BFP-RK	4"	2057.15
0889120	38 BFP-RK	6"	3829.05

Kit consists of: first check valve seat and disc, valve spring, gasket, relief valve seat and spring.

Second Check Assembly Kits

0889105	39 BFP-RK	2 1/2", 3"	463.05
0889115	40 BFP-RK	4"	704.10
0889125	41 BFP-RK	6"	1902.95

Kit consists of: second check valve spring assembly, valve disc and seat, O-rings, lock nut, piston O-ring and guide assembly and relief valve O-ring.

Rubber Parts Kits

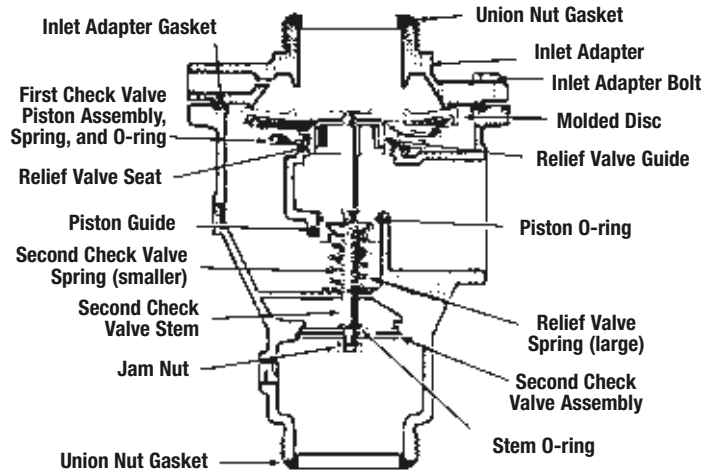
0881295	42 BFP-RK	2 1/2", 3"	1073.55
0881297	43 BFP-RK	4"	1268.50
0881298	44 BFP-RK	6"	2391.55

Kit consists of: first check valve disc, second check valve disc, O-rings and silicone grease.

Maintenance Tool Kits

0834019	SAT900H153	2 1/2", 3"	142.50
0834042	SAT900J153	4"	291.75
0834018	SAT900K153	6"	396.45

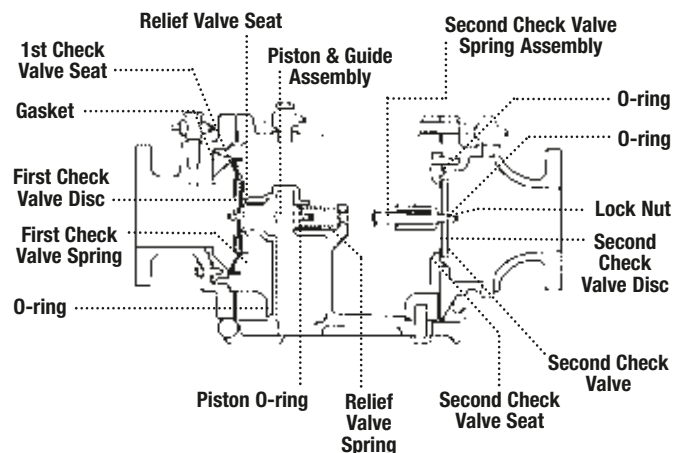
Kit consists of: jacking tool, tuning fork and compression rod.



NOTE: Before reassembly, grease Relief Valve Seat orifice, Piston Bore and Piston O-ring. Use silicone base grease.

IMPORTANT:

Service of these sizes require proper factory maintenance tool kit (see below).



2

Reduced Pressure Zone Assemblies

Series 909

Reduced Pressure Zone Assemblies

Sizes $\frac{3}{4}$ " – 2"

Relief valve kits

When ordering specify Ordering Code, Kit No., and Valve Size.

ORDERING CODE	KIT NO.	SIZE	LIST PRICE
---------------	---------	------	------------

Relief Valve Kits

0887126	RK 909 VT	$\frac{3}{4}$ " – 1"	\$132.55
0887138	RK 909M1 VT	$1\frac{1}{4}$ " – 2"	246.90

Kit consists of: relief valve assembly, seat, seat O-ring, 2 piston O-rings and lubricant.

Rubber Parts for Relief Valve

0887131	RK 909 RV	$\frac{3}{4}$ " – 1"	39.45
0887141	RK 909M1 RV	$1\frac{1}{4}$ " – 2"	55.20

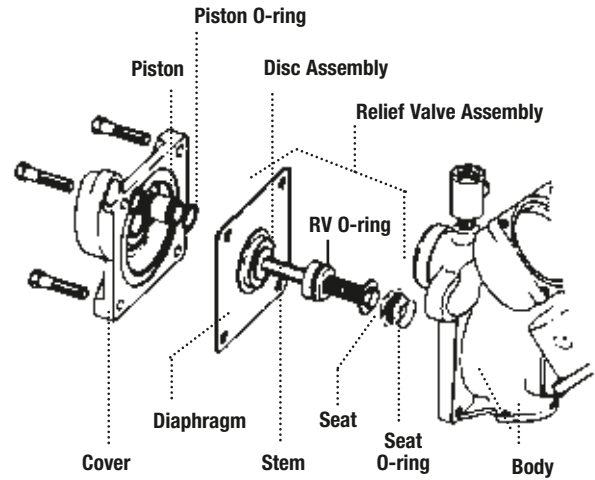
Kit consists of: diaphragm, disc assembly, seat O-ring, RV O-ring, 2 piston O-ring, and lubricant.

Seat Kits for Relief Valve

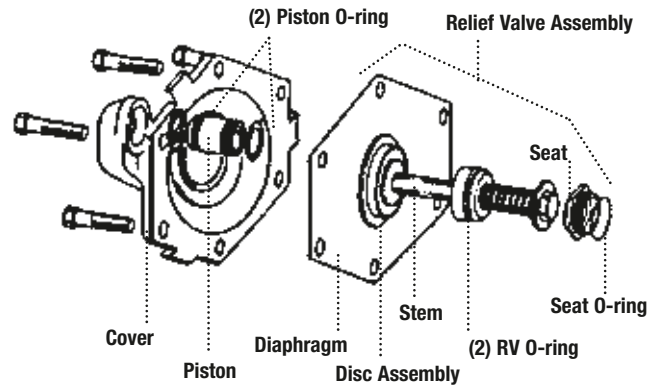
0887372	RK 909 SV	$\frac{3}{4}$ " – 1"	57.10
0887371	RK 909M1 SV	$1\frac{1}{4}$ " – 2"	90.70

Kit consists of: seat, seat O-ring, 2 piston O-ring and lubricant.

$\frac{3}{4}$ " – 1"



$1\frac{1}{4}$ " – 2"



Note: $1\frac{1}{4}$ " – 2" 909/909M1 are common kits.

TO PREVENT SHAFT DAMAGE ASSEMBLE AS SHOWN: If cover will not press against body, assembly is crooked and tightening bolts will bend shaft. Do not force the cover into place as damage may result from misalignment.

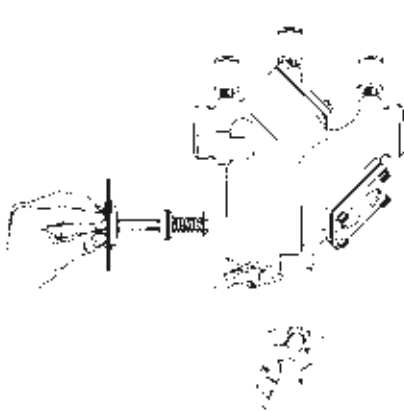


Figure 1:

To assemble the relief valve assembly have a screwdriver ready.

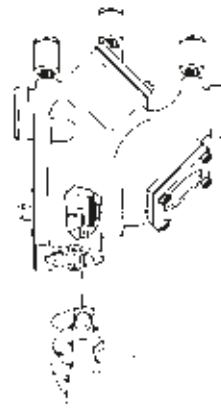


Figure 2:

Depress the relief valve assembly, carefully guiding it against the two pound spring load. When properly aligned, the piston is in the cylinder bore. Insert the screwdriver as shown.

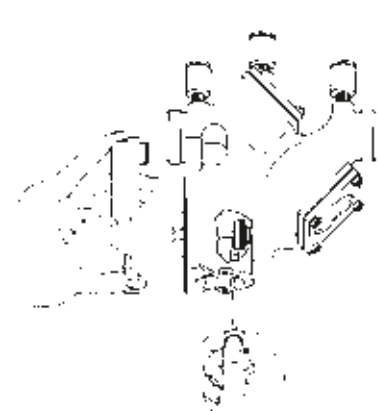


Figure 3:

The relief valve assembly is held encapsulated by the screwdriver. You should now have both hands free to bolt down the cover. Insert and snug two bolts 180° apart to hold the cover. Finish inserting the remaining bolts and snug up evenly alternating until secure. Remove the screwdriver.

Series 909

Reduced Pressure Zone Assemblies

Sizes 3/4" – 2"

Check valve kits

When ordering specify Ordering Code, Kit No., and Valve Size.

Note: 1 1/4" – 2" 909/909M1 are common kits.

ORDERING CODE	KIT NO.	SIZE	LIST PRICE
---------------	---------	------	------------

First Check Kits

0887120	RK 909 CK1	3/4" – 1"	\$87.85
0887133	RK 909M1 CK1	1 1/4" – 2"	160.50
0887122	RK 909 CK1SS*	3/4" – 1"	133.30
0887135	RK 909M1 CK1SS*	1 1/4" – 2"	226.70

Second Check Kits

0887121	RK 909 CK2	3/4" – 1"	82.25
0887134	RK 909M1 CK2	1 1/4" – 2"	151.60
0887123	RK 909 CK2SS*	3/4" – 1"	125.80
0887136	RK 909M1 CK2SS*	1 1/4" – 2"	217.35

Kit consists of: disc assembly, spring, seat, seat O-ring, cover O-ring and lubricant.

Rubber Parts for Both Checks

0887129	RK 909 RC3	3/4" – 1"	16.65
0887142	RK 909M1 RC3	1 1/4" – 2"	53.25
0887310	RK 909 RC3 HW	3/4" – 1"	34.10
0887311	RK 909M1 RC3 HW	1 1/4" – 2"	53.25
0887145	RK 909 PC RC3	1 1/4" – 2"	63.75

Kit consists of: disc assembly, seat O-ring, cover O-ring and lubricant.

NOTE: HW model has bronze disc assembly.

Complete Rubber Parts

0887130	RK 909 RT	3/4" – 1"	54.40
0887144	RK 909M1 RT	1 1/4" – 2"	83.80
0887146	RK 909 PC RT	1 1/4" – 2"	94.65

Kit consists of: disc assembly, seat O-rings, RV diaphragm, RV O-rings, piston O-rings, cover O-rings and lubricant.

Seat Kits for One Check

0887124	RK 909 S	3/4" – 1"	25.85
0887139	RK 909M1 S	1 1/4" – 2"	32.70
0887125	RK 909 S-SS*	3/4" – 1"	177.55
0887140	RK 909M1 S-SS*	1 1/4" – 2"	233.95

Kit consists of: seat, seat O-ring and lubricant.

Cover Kits

0887127	RK 909 C1	3/4" – 1"	58.10
0887128	RK 909 C2	3/4" – 1"	53.15
0887132	RK 909 VC	3/4" – 1"	66.90
0887137	RK 909M1 C4	1 1/4" – 2"	73.45
0887143	RK 909M1 VC	1 1/4" – 2"	115.75

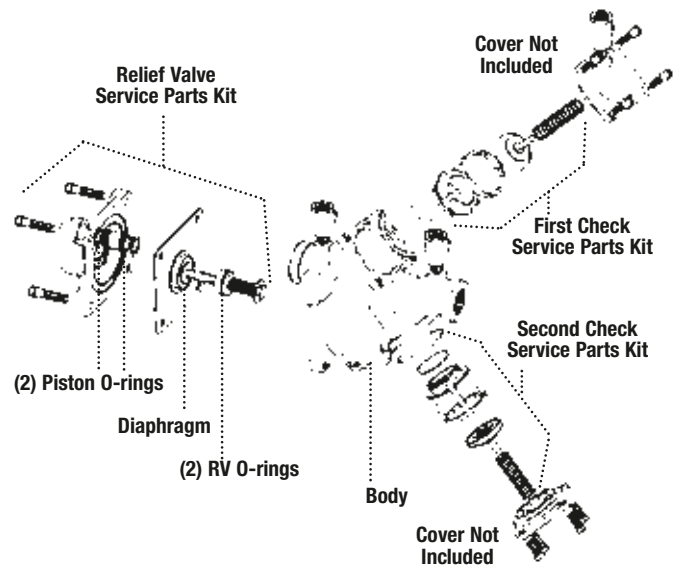
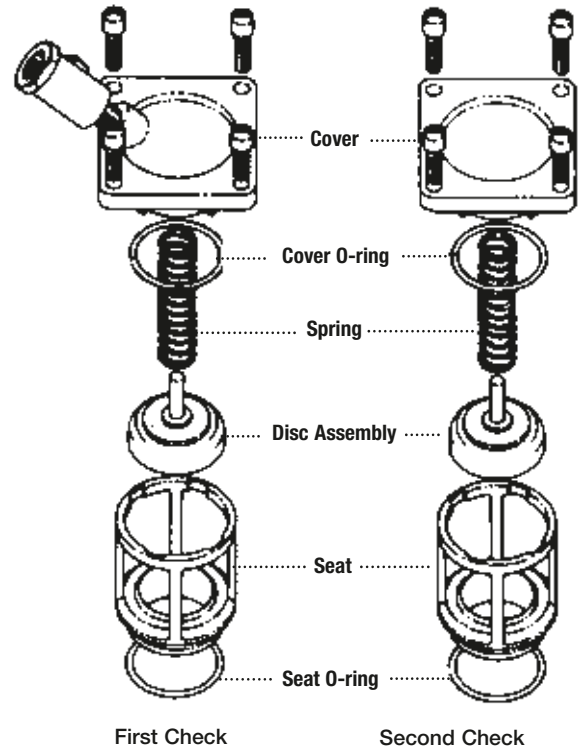
Kit consists of: cover, cover O-ring and lubricant.

Polymer Coated Valves

0887780	RK 909PC CK1	3/4" – 1"	101.05
0887781	RK 909PC CK2	3/4" – 1"	94.65
0887782	RK 909PC CK1	1 1/4" – 2"	181.00
0887783	RK 909PC CK2	1 1/4" – 2"	171.10

Kit consists of: disc assembly, seat, seat O-ring, sleeve, check spring, PC cover and cover O-ring.

*Stainless steel seat



NOTE: No special tools required to service Series 909.

NOTE: Rubber seat disc can be replaced. However, disc holder and disc retainer are permanently bonded to prevent failure.

Series 909

Reduced Pressure Zone Assemblies

Sizes 2½" – 10"

Relief valve kits

When ordering specify Ordering Code, Kit No., and Valve Size.

*M1 = Cast iron relief valve.

ORDERING CODE	KIT NO.	SIZE	LIST PRICE
---------------	---------	------	------------

Relief Valve Rubber Parts

0887231	RK 909 RV	2½" – 3"	\$135.60
0887232	RK 909 RV	4" – 6"	179.00
0887233	RK 909 RV	8" – 10"	225.25
0887234	*RK 909M1 RV	4" – 10"	179.00

Kit consists of: sleeve O-ring, piston O-ring, stem O-ring, RV disc assembly, diaphragm, piston seal, bottom plug O-ring, adapter O-ring and lubricant.

Relief Valve Total

0887235	RK 909 VT	2½" – 3"	262.90
0887236	RK 909 VT	4" – 6"	490.95
0887237	RK 909 VT	8" – 10"	1041.95
0887238	*RK 909M1 VT	4" – 10"	669.30

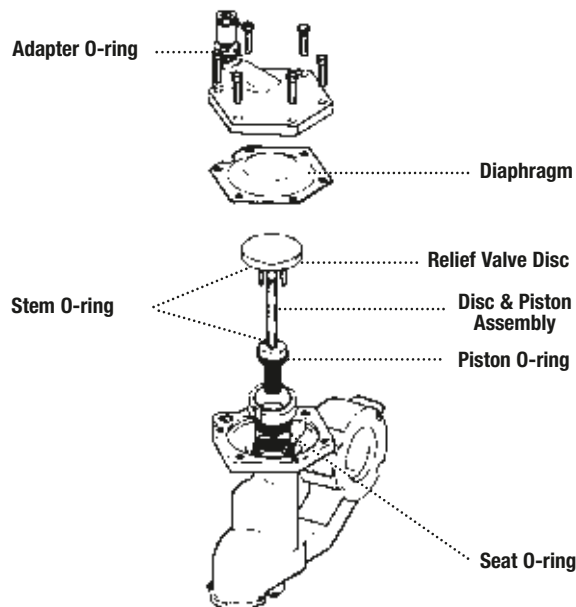
Kit consists of: diaphragm, disc & piston assembly, seat, seat O-ring, adapter O-ring and lubricant. (Sizes 4"–10"M1 includes bottom plug & spring assembly).

Total Rubber Parts Kits

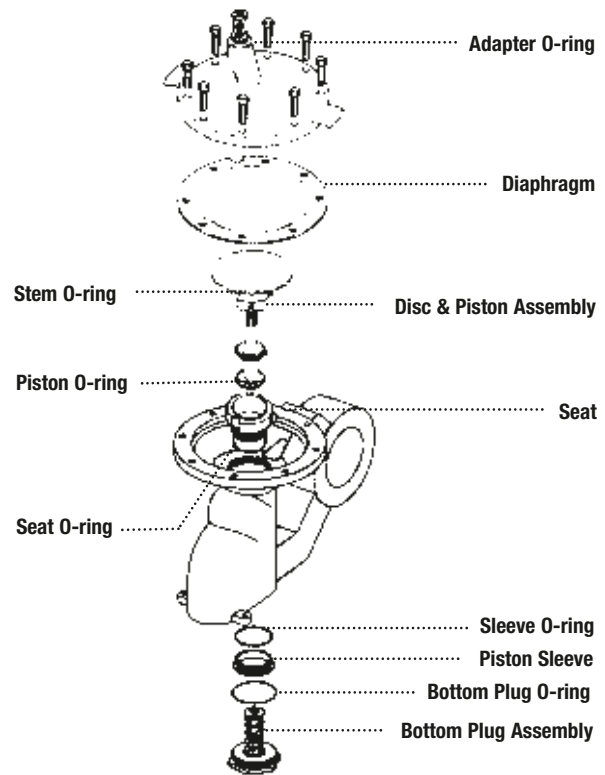
0887750	RK 909 RT	2½" – 3"	240.65
0887751	RK 909 RT	4"	318.15
0887752	RK 909 RT	6"	333.90
0887753	RK 909 RT	8"	412.00
0887761	RK 909M1 RT	8"	366.60
0887754	RK 909 RT	10"	481.20
0887762	RK 909M1 RT	10"	435.80

Kit consists of: upper and lower check stem O-ring (6" only), check disc, cover O-ring, sleeve O-ring, piston O-ring, RV disc assembly, diaphragm, piston seal and lubricant.

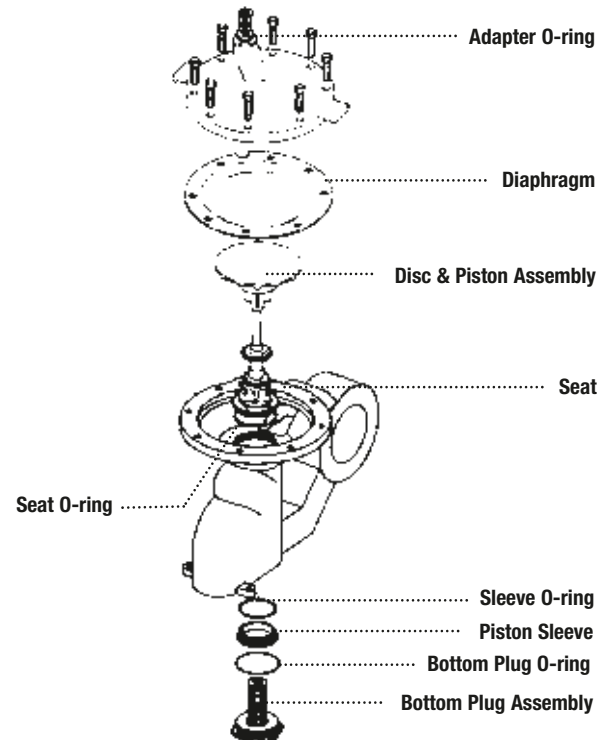
2½", 3"



4" – 10"



8"M1, 10"M1



Series 909

Reduced Pressure Zone Assemblies

Sizes 2½" – 10"

Check valve kits

When ordering specify Ordering Code, Kit No., and Valve Size.

ORDERING CODE	KIT NO.	SIZE	LIST PRICE
---------------	---------	------	------------

First Check Kits

0887210	RK 909 CK1	2½" – 3"	\$295.55
0887212	RK 909 CK1	4"	478.25
0887213	RK 909 CK1	6"	856.10
0887214	RK 909 CK1	8"	1523.35
0887215	RK 909 CK1	10"	2183.70

Second Check Kits

0887211	RK 909 CK2	2½" – 3"	283.75
0887216	RK 909 CK2	4"	453.00
0887217	RK 909 CK2	6"	781.10
0887218	RK 909 CK2	8"	1428.75
0887219	RK 909 CK2	10"	1923.15

Kit consists of: disc & spring assembly, cover O-ring and lubricant.

Seat Kits

0887730	RK 909 S	2½" – 3"	112.45
0887731	RK 909 S	4"	164.05
0887732	RK 909 S	6"	281.30
0887733	RK 909 S	8"	670.20
0887734	RK 909 S	10"	782.80

Kit consists of: seat, seat O-ring, cover O-ring, retainer wires and lubricant.

First Check Rubber Parts Kits

0887220	RK 909 RC1	2½" – 3"	52.65
0887221	RK 909 RC1	4"	69.50
0887223	RK 909 RC1	6"	79.15
0887224	RK 909 RC1	8"	95.55
0887225	RK 909 RC1	10"	130.15

Second Check Rubber Parts Kits

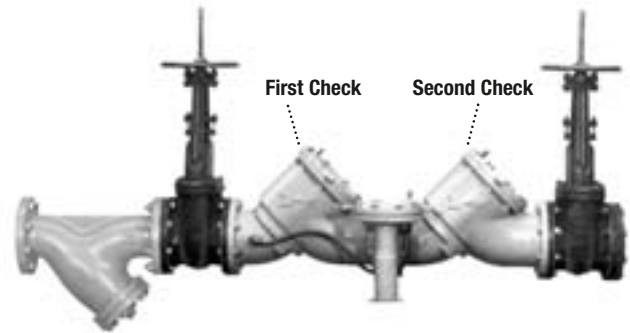
0887226	RK 909 RC2	2½" – 3"	52.65
0887227	RK 909 RC2	4"	69.50
0887228	RK 909 RC2	6"	79.15
0887229	RK 909 RC2	8"	95.55
0887230	RK 909 RC2	10"	130.15

Kit consists of: upper and lower check stem O-ring (6" only), check disc, cover O-ring and lubricant.

Cover Kits for Checks

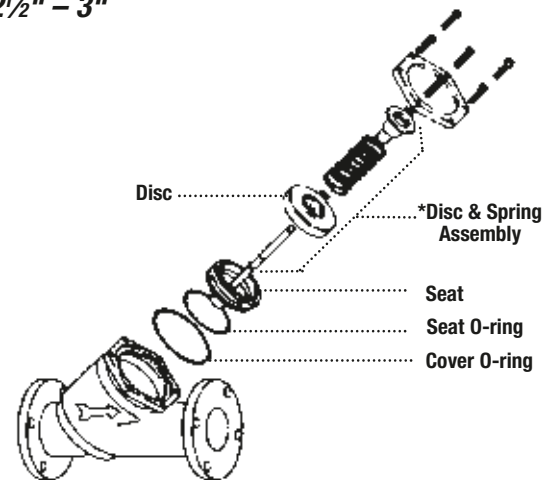
0887740	RK 909 C	2½" – 3"	178.35
0887741	RK 909 C	4"	199.75
0887742	RK 909 C	6"	278.35
0887743	RK 909 C	8"	455.70
0887744	RK 909 C	10"	1019.90

Kit consists of: cover, cover O-ring and lubricant.

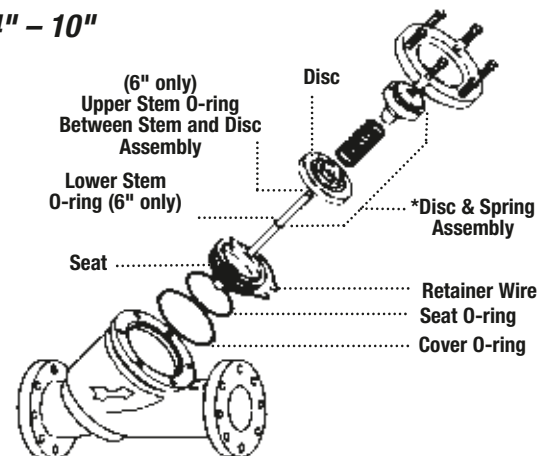


First and second checks are not interchangeable.

2½" – 3"



4" – 10"



***WARNING:**
Spring assembly is factory assembled. DO NOT DISASSEMBLE.

Series 909RPDA

Reduced Pressure Detector Assemblies

2½" – 10"

Relief valve kits

When ordering specify Ordering Code, Kit No., and Valve Size.

*M1 = Cast iron relief valve.

ORDERING CODE	KIT NO.	SIZE	LIST PRICE
Relief Valve Rubber Parts			
0887263	RK 909RPDA RV	2½" – 3"	\$135.60
0887264	RK 909RPDA RV	4" – 6"	179.00
0887265	RK 909RPDA RV	8" – 10"	225.25
0887266	*RK 909RPDAM1 RV	4" – 10"	179.00

Kit consists of: sleeve O-ring, seat O-ring, piston O-ring, stem O-ring, RV disc assembly, diaphragm, piston seal, bottom plug O-ring, adapter O-ring and lubricant.

Relief Valve Total

0887259	RK 909RPDA VT	2½" – 3"	262.90
0887260	RK 909RPDA VT	4" – 6"	490.95
0887261	RK 909RPDA VT	8" – 10"	1041.95
0887262	*RK 909RPDAM1 VT	4" – 10"	669.30

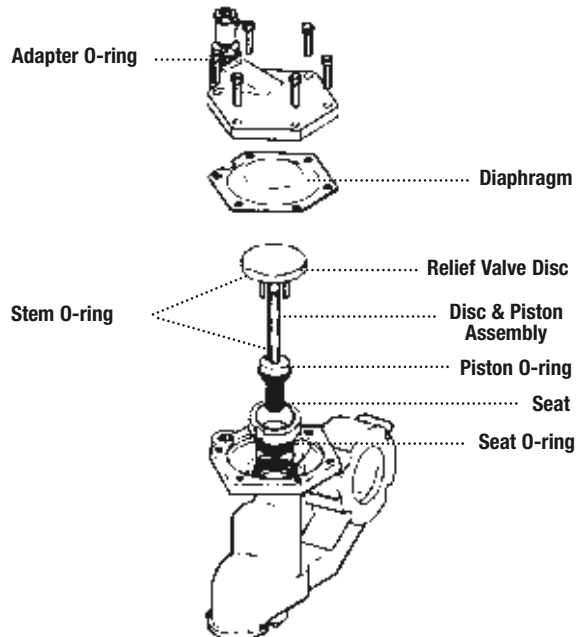
Kit consists of: diaphragm, disc & piston assembly, seat, seat O-ring, adapter O-ring and lubricant. (Sizes 4"–10"M1 includes bottom plug & spring assembly.)

Total Rubber Parts Kits

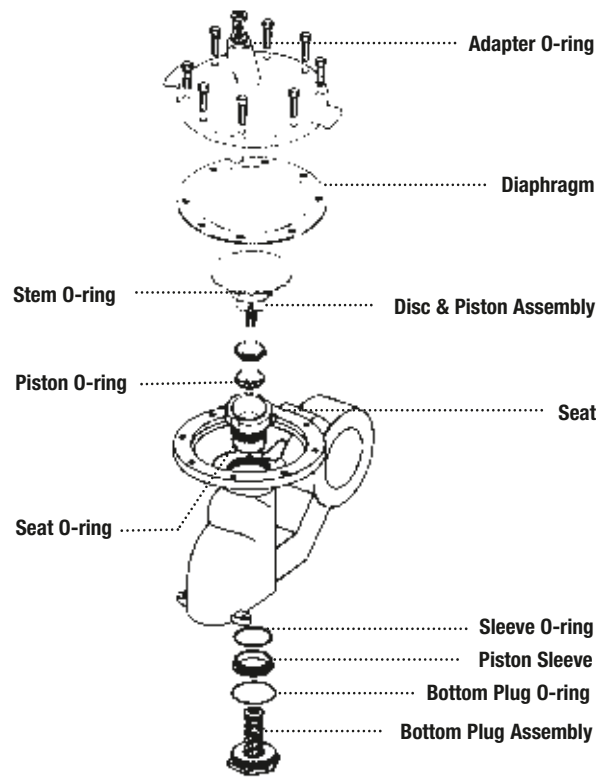
0887756	RK 909RPDA RT	2½" – 3"	240.55
0887757	RK 909RPDA RT	4"	318.15
0887758	RK 909RPDA RT	6"	333.90
0887759	RK 909RPDA RT	8"	412.00
0887764	RK 909RPDAM1 RT	8"	366.60
0887760	RK 909RPDA RT	10"	481.20
0887765	RK 909RPDAM1 RT	10"	435.80

Kit consists of: upper and lower check stem O-ring (6" only), check disc, cover O-ring, sleeve O-ring, piston O-ring, RV disc assembly, diaphragm, piston seat and lubricant.

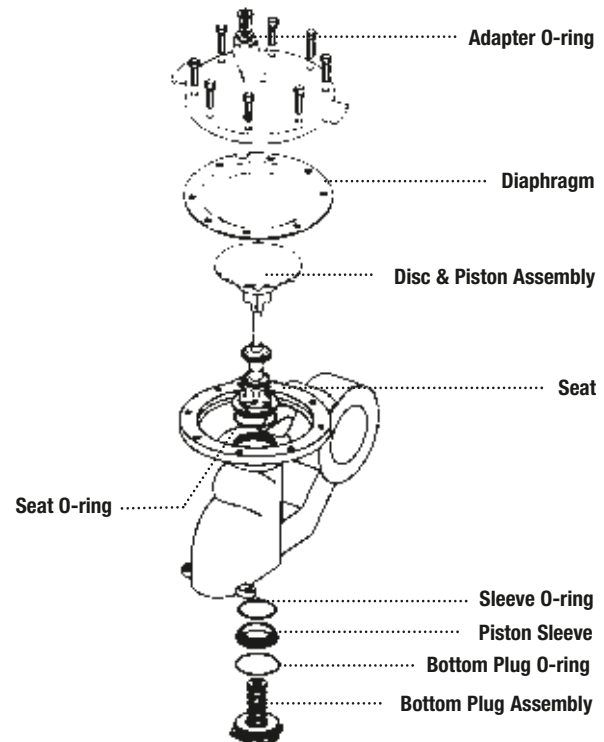
2½" – 3"



4" – 10"



8"M1, 10"M1



Series 909RPDA

Reduced Pressure Detector Assemblies

2½" – 10"

Check valve kits

When ordering specify Ordering Code, Kit No., and Valve Size.

ORDERING CODE	KIT NO.	SIZE	LIST PRICE
---------------	---------	------	------------

First Check Kits

0887239	RK 909RPDA CK1	2½" – 3"	\$355.70
0887240	RK 909RPDA CK1	4"	494.75
0887241	RK 909RPDA CK1	6"	892.70
0887242	RK 909RPDA CK1	8"	1612.45
0887243	RK 909RPDA CK1	10"	2393.15

Second Check Kits

0887244	RK 909RPDA CK2	2½" – 3"	283.75
0887245	RK 909RPDA CK2	4"	453.00
0887246	RK 909RPDA CK2	6"	781.10
0887247	RK 909RPDA CK2	8"	1428.75
0887248	RK 909RPDA CK2	10"	1923.15

Kit consists of: disc & spring assembly, cover O-ring and lubricant.

First Check Rubber Parts Kits

0887249	RK 909RPDA RC1	2½" – 3"	52.65
0887250	RK 909RPDA RC1	4"	69.50
0887251	RK 909RPDA RC1	6"	79.15
0887252	RK 909RPDA RC1	8"	95.55
0887253	RK 909RPDA RC1	10"	130.15

Second Check Rubber Parts Kits

0887254	RK 909RPDA RC2	2½" – 3"	52.65
0887255	RK 909RPDA RC2	4"	69.50
0887256	RK 909RPDA RC2	6"	79.15
0887257	RK 909RPDA RC2	8"	95.55
0887258	RK 909RPDA RC2	10"	130.15

Kit consists of: upper and lower check stem O-ring (6" only), check disc, cover O-ring and lubricant.

Seat Kits

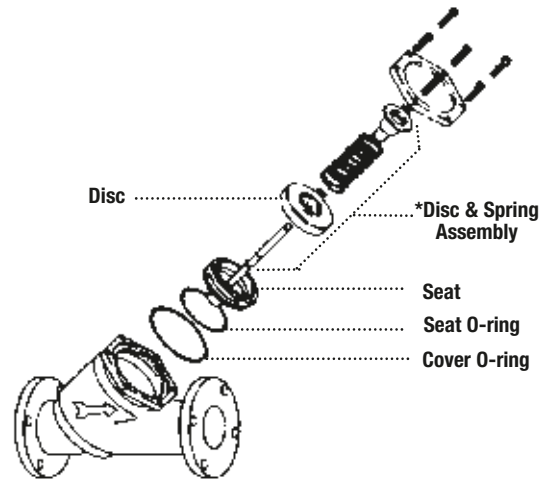
0887735	RK 909RPDA S	2½" – 3"	112.45
0887736	RK 909RPDA S	4"	164.05
0887737	RK 909RPDA S	6"	281.30
0887738	RK 909RPDA S	8"	670.20
0887739	RK 909RPDA S	10"	782.80

Kit consists of: seat, seat O-ring, cover O-ring, retainer wires and lubricant.

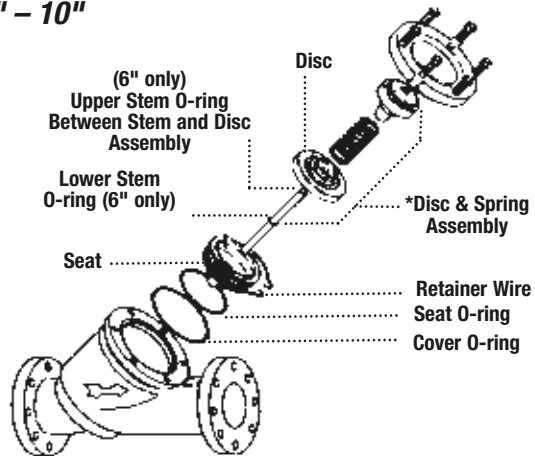
Cover Kits for Checks

0887745	RK 909RPDA C	2½" – 3"	178.35
0887746	RK 909RPDA C	4"	199.75
0887747	RK 909RPDA C	6"	278.35
0887748	RK 909RPDA C	8"	455.70
0887749	RK 909RPDA C	10"	1019.90

2½" – 3"



4" – 10"



***WARNING:**
Spring assembly is factory assembled. DO NOT DISASSEMBLE.

Series 919

Reduced Pressure Zone Assemblies

Sizes 1/4" – 2"

Relief valve kits

When ordering specify Ordering Code, Kit No., and Valve Size.

ORDERING CODE	KIT NO.	SIZE	LIST PRICE
---------------	---------	------	------------

Total Relief Valve Kits

0888130	RK 919 VT	1/4" – 1/2"	\$67.90
0888131	RK 919 VT	3/4" – 1"	120.70
0888132	RK 919 VT	1 1/4" – 2"	157.95

Kit consists of: Relief Valve Assembly, RV Spring, and RV Cover O-ring.

Relief Valve Rubber Parts Kits

0888135	RK 919 RV	1/4" – 1/2"	29.00
0888136	RK 919 RV	3/4" – 1"	34.10
0888137	RK 919 RV	1 1/4" – 2"	38.35

Kit consists of: Relief Valve Disc, RV Diaphragm, RV Seat O-ring and Cover O-ring

Relief Valve Seat Kits

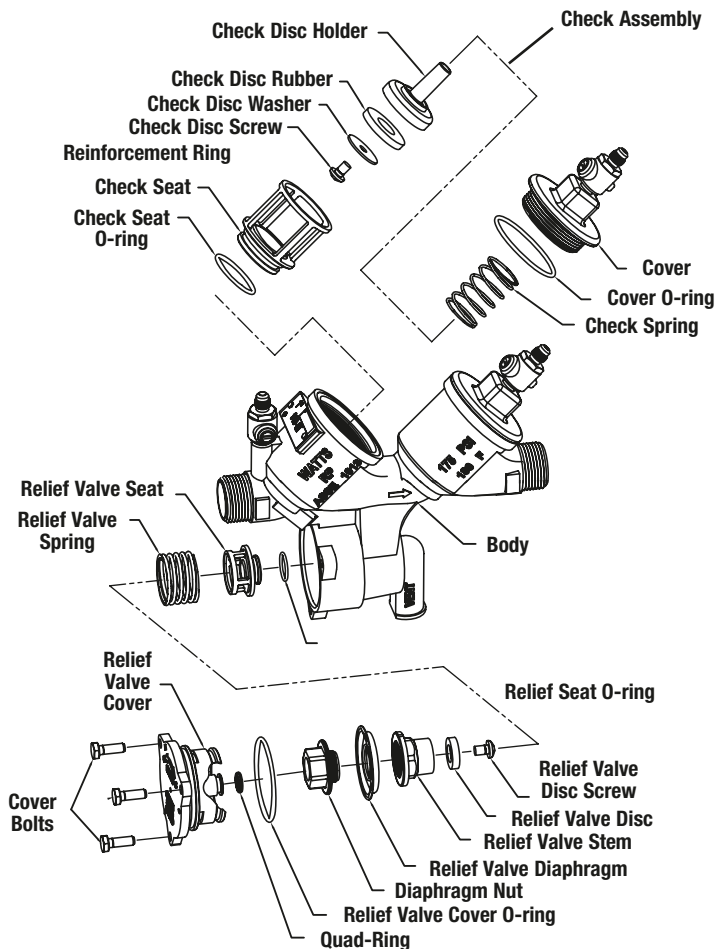
0888150	RK 919 SV	1/4" – 1/2"	8.95
0888151	RK 919 SV	3/4" – 1"	9.60
0888153	RK 919 SV	1 1/4" – 2"	7.55

Kit consists of: Relief Valve Seat, RV Seat O-ring and RV Cover O-ring

Relief Valve Cover Kits

0888155	RK 919 VC	1/4" – 1/2"	59.35
0888156	RK 919 VC	3/4" – 1"	57.40
0888158	RK 919 VC	1 1/4" – 2"	59.35

Kit consists of: Relief Valve Cover and Cover O-ring



Check valve kits

When ordering specify Ordering Code, Kit No., and Valve Size.

ORDERING CODE	KIT NO.	SIZE	LIST PRICE
---------------	---------	------	------------

1st Check Kits

0888110	RK 919 CK1	1/4" – 1/2"	\$29.00
0888111	RK 919 CK1	3/4"	45.75
0888112	RK 919 CK1	1"	45.75
0888113	RK 919 CK1	1 1/4" – 1 1/2"	84.05
0888114	RK 919 CK1	2"	89.65

Kit consists of: Check Assembly, Spring and Cover O-ring

2nd Check Kits

0888115	RK 919 CK2	1/4" – 1/2"	28.30
0888116	RK 919 CK2	3/4"	41.60
0888117	RK 919 CK2	1"	41.60
0888118	RK 919 CK2	1 1/4" – 1 1/2"	78.40
0888119	RK 919 CK2	2"	79.95

Kit consists of: Check Assembly, Spring and Cover O-ring

1st or 2nd Check Rubber Parts Kits

0888120	RK 919 RC4	1/4" – 1/2"	8.50
0888121	RK 919 RC4	3/4"	8.50
0888122	RK 919 RC4	1"	8.50
0888123	RK 919 RC4	1 1/4" – 1 1/2"	11.20
0888124	RK 919 RC4	2"	11.80

Kit consists of: Disc, Seat O-ring and Cover O-ring

Check Seat Kits

0888125	RK 919 S	1/4" – 1/2"	22.20
0888126	RK 919 S	3/4"	29.25
0888127	RK 919 S	1"	30.20
0888128	RK 919 S	1 1/4" – 1 1/2"	45.95
0888129	RK 919 S	2"	50.95

Kit consists of: Seat, Seat O-ring and Cover O-ring

Complete Valve Rubber Parts Kits

0888140	RK 919 RT	1/4" – 1/2"	46.05
0888141	RK 919 RT	3/4"	49.10
0888142	RK 919 RT	1"	51.10
0888143	RK 919 RT	1 1/4" – 1 1/2"	61.85
0888144	RK 919 RT	2"	64.85

Kit consists of: 2 Check Seat O-rings, 2 Check Cover O-rings, Relief Valve O-ring, Relief Valve Cover O-ring, Relief Valve Stem O-ring

Check Cover Kits

0888145	RK 919 C	1/4" – 1/2"	41.30
0888146	RK 919 C	3/4"	69.10
0888147	RK 919 C	1"	69.10
0888148	RK 919 C	1 1/4" – 1 1/2"	93.20
0888149	RK 919 C	2"	105.25

Kit consists of: Cover and Cover O-ring

Note: For 1/2" and 3/4" 919R10 models use 1" repair kits.

Series 957, 957RPDA

Reduced Pressure Zone Assemblies

Reduced Pressure Detector Assemblies

Sizes 2½" – 10"

Relief valve kits

When ordering specify Ordering Code, Kit No., and Valve Size.

ORDERING NO.	KIT NO.	SIZE	LIST PRICE
--------------	---------	------	------------

Relief Valve Total Kits

0899232	RK 957/957RPDA VT	2½" – 10"	\$508.55
---------	-------------------	-----------	----------

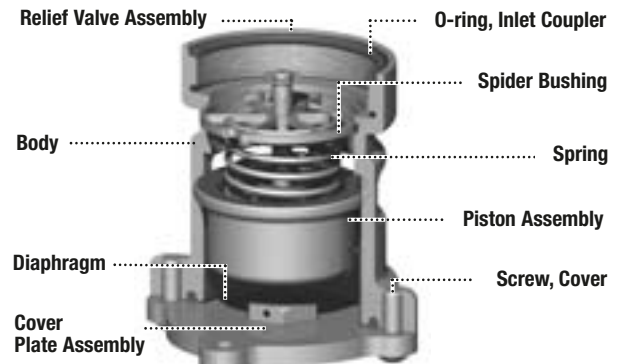
Kit consists of: complete relief valve assembly.

ORDERING NO.	KIT NO.	SIZE	LIST PRICE
--------------	---------	------	------------

Relief Valve Rubber Parts Kits

0899236	RK 957/957RPDA RV	2½" – 10"	\$143.55
---------	-------------------	-----------	----------

Kit consists of: diaphragm, inlet coupler O-ring and piston assembly.



2

Reduced Pressure Zone Assemblies

Series 957, 957RPDA

Reduced Pressure Zone Assemblies

Reduced Pressure Detector Assemblies

Sizes 2½" – 10"

Check valve kits

When ordering specify Ordering Code, Kit No., and Valve Size.

ORDERING NO.	KIT NO	DISC	SIZE	LIST PRICE
First Check Kits				
7018129	RK 957/957RPDA CK1	EPDM	2½" – 4"	\$229.60
0889370	RK 957/957RPDA CK1-RS	Red Silicone	2½" – 4"	229.60
7018132	RK 957/957RPDA CK1	EPDM	6"	341.00
0889374	RK 957/957RPDA CK1-RS	Red Silicone	6"	341.00
7018135	RK 957/957RPDA CK1	Red Silicone	8"	542.65
0899215	RK 957/957RPDA CK1	Red Silicone	10"	735.65

Kit consists of: first check module, check module O-ring and disc elastomer.

Second Check Kits				
0899216	RK 957/957RPDA CK2	EPDM	2½" – 4"	216.55
0889371	RK 957/957RPDA CK2-RS	Red Silicone	2½" – 4"	216.55
0899217	RK 957/957RPDA CK2	EPDM	6"	300.90
0889375	RK 957/957RPDA CK2-RS	Red Silicone	6"	300.90
0899218	RK 957/957RPDA CK2	Red Silicone	8"	498.95
0899219	RK 957/957RPDA CK2	Red Silicone	10"	627.65

Kit consists of: second check module, check module O-ring and disc elastomer.

First or Second Check Rubber Parts Kits				
0899220	RK 957/957RPDA RC4	EPDM	2½" – 4"	28.10
0889372	RK 957/957RPDA RC4-RS	Red Silicone	2½" – 4"	28.10
0899221	RK 957/957RPDA RC4	EPDM	6"	35.85
0889376	RK 957/957RPDA RC4-RS	Red Silicone	6"	35.85
0899222	RK 957/957RPDA RC4	Red Silicone	8"	50.35
0899223	RK 957/957RPDA RC4	Red Silicone	10"	112.90

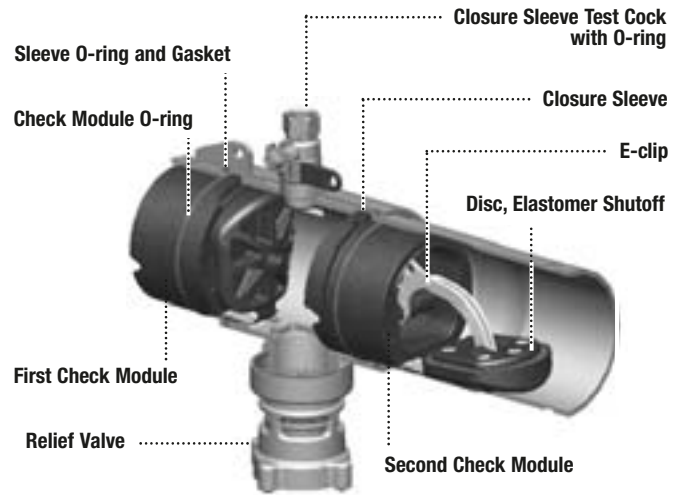
Kit consists of: check module O-ring, disc elastomer and E-clip.

Check Sleeve Cover Kits				
0899240	RK 957/957RPDA C		2½" – 4"	274.45
0899241	RK 957/957RPDA C		6"	368.20
0899242	RK 957/957RPDA C		8"	629.25
0899243	RK 957/957RPDA C		10"	767.40

Kit consists of: closure sleeve, sleeve O-ring and gasket.

Total Rubber Parts Kits				
0899244	RK 957/957RPDA RT	EPDM	2½" – 4"	192.25
0889373	RK 957/957RPDA RT-RS	Red Silicone	2½" – 4"	192.25
0899245	RK 957/957RPDA RT	EPDM	6"	206.90
0889377	RK 957/957RPDA RT-RS	Red Silicone	6"	206.90
0899246	RK 957/957RPDA RT	Red Silicone	8"	236.05
0899247	RK 957/957RPDA RT	Red Silicone	10"	388.00

Kit consists of: 1st and 2nd check module O-ring, (2) disc elastomer, (2) E-clips, relief valve diaphragm, relief valve inlet coupler O-ring and relief valve piston assembly.



2

Reduced Pressure Zone Assemblies

Series 990, 990RPDA

Reduced Pressure Zone Assemblies

Reduced Pressure Detector Assemblies

Sizes 4" – 8"

Relief valve kits

When ordering specify Ordering Code, Kit No., and Valve Size.

Series 990

ORDERING CODE	KIT NO.	SIZE	LIST PRICE
Relief Valve Total			
0887327	RK 990 VT	4"	\$260.55
0887328	RK 990 VT	6"	260.55
0887329	RK 990 VT	8"	861.95

Kit consists of: relief valve stem assembly, seat O-ring.

Relief Valve Rubber Parts

0887324	RK 990 RV	4"	168.35
0887325	RK 990 RV	6"	183.05
0887326	RK 990 RV	8"	194.95

Kit consists of: relief valve diaphragm, piston O-rings, seat disc, seat O-ring.

Series 990RPDA

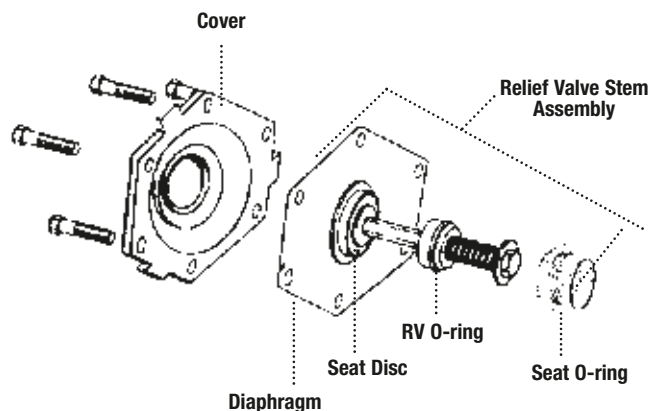
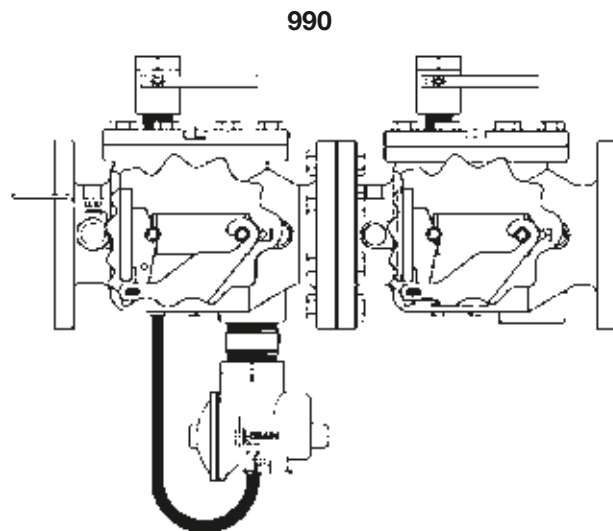
ORDERING CODE	KIT NO.	SIZE	LIST PRICE
Relief Valve Total			
0887358	RK 990RPDA VT	4"	\$260.55
0887359	RK 990RPDA VT	6"	260.55
0887360	RK 990RPDA VT	8"	861.95

Kit consists of: relief valve stem assembly, seat O-ring.

Relief Valve Rubber Parts

0887355	RK 990RPDA RV	4"	168.40
0887356	RK 990RPDA RV	6"	183.05
0887357	RK 990RPDA RV	8"	194.95

Kit consists of: relief valve diaphragm, piston O-rings, seat disc, seat O-ring.

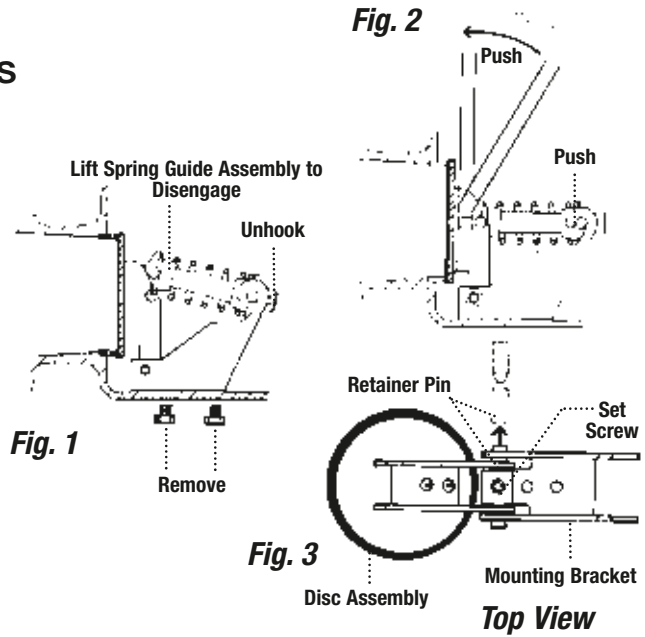
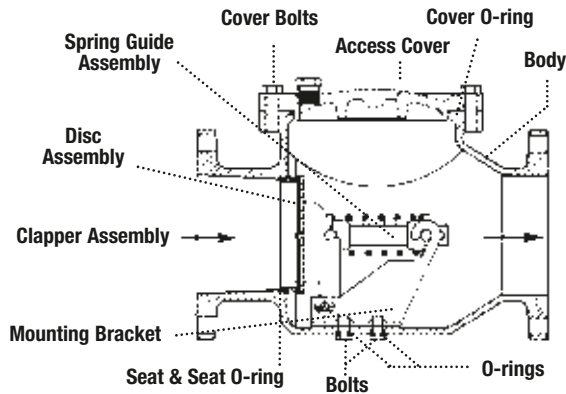


Series 990, 990RPDA

Reduced Pressure Zone Assemblies

Reduced Pressure Detector Assemblies

Sizes 4" – 8"



Check valve kits

When ordering specify Ordering Code, Kit No., and Valve Size.

Series 990

ORDERING CODE	KIT NO.	SIZE	LIST PRICE
---------------	---------	------	------------

First Check Repair Kits

0887315	RK 990 CK1	4"	\$420.65
0887316	RK 990 CK1	6"	523.35
0887317	RK 990 CK1	8"	1041.05

Second Check Repair Kits

0887318	RK 990 CK2	4"	355.25
0887319	RK 990 CK2	6"	656.05
0887320	RK 990 CK2	8"	1148.85

Kit consists of: spring assembly and cover O-ring.

Check Rubber Parts

0887321	RK 990 RC1	4"	488.20
0887322	RK 990 RC1	6"	617.65
0887313	RK 990 RC2	4"	488.20
0887314	RK 990 RC2	6"	617.65
0887323	RK 990 RC4	8"	788.20

Kit consists of: cover O-ring, two bolt O-rings and disc assembly for one check.

Seat Kits

0887330	RK 990 S	4"	90.45
0887331	RK 990 S	6"	140.35
0887332	RK 990 S	8"	178.35

Kit consists of: seat and seat O-ring for one check.

Complete Rubber Parts

0887333	RK 990 RT	4"	1107.10
0887334	RK 990 RT	6"	1456.85
0887335	RK 990 RT	8"	1771.40

Kit consists of: two cover O-rings, four bolt O-rings, two disc assemblies, one relief valve diaphragm, relief valve cover O-ring, piston O-ring, relief valve seat disc and seat O-ring.

Complete Repair Kits

0887336	RK 990 T	4"	1314.85
0887337	RK 990 T	6"	2317.00
0887338	RK 990 T	8"	4683.90

Kit consists of: two cover O-rings, four bolt O-rings, two disc assemblies, two spring assemblies, relief valve, stem assembly, seat O-ring and cover O-ring.

Series 990RPDA

ORDERING CODE	KIT NO.	SIZE	LIST PRICE
---------------	---------	------	------------

First Check Repair Kits

0887340	RK 990RPDA CK1	4"	\$420.65
0887341	RK 990RPDA CK1	6"	523.35
0887342	RK 990RPDA CK1	8"	1041.05

Second Check Repair Kits

0887343	RK 990RPDA CK2	4"	355.25
0887344	RK 990RPDA CK2	6"	656.05
0887345	RK 990RPDA CK2	8"	1148.85

Kit consists of: spring assembly and cover O-ring.

Check Rubber Parts

0887346	RK 990RPDA RC1	4"	488.20
0887347	RK 990RPDA RC1	6"	617.65
0887366	RK 990RPDA RC2	4"	488.20
0887367	RK 990RPDA RC2	6"	575.95
0887348	RK 990RPDA RC4	8"	788.20

Kit consists of: cover O-ring, two bolt O-ring and disc assembly for one check.

Seat Kits

0887352	RK 990RPDA S	4"	90.45
0887353	RK 990RPDA S	6"	140.35
0887354	RK 990RPDA S	8"	178.35

Kit consists of: seat and seat O-ring for one check.

Complete Rubber Parts

0887361	RK 990RPDA RT	4"	1107.10
0887362	RK 990RPDA RT	6"	1456.85
0887363	RK 990RPDA RT	8"	1771.40

Kit consists of: two cover O-rings, four bolt O-rings, two disc assemblies, one relief valve diaphragm, relief valve cover O-ring, piston O-ring, relief valve seat disc and seat O-ring.

Complete Repair Kits

0887349	RK 990RPDA T	4"	1314.85
0887350	RK 990RPDA T	6"	2485.00
0887351	RK 990RPDA T	8"	4683.90

Kit consists of: two cover O-rings, four bolt O-rings, two disc assemblies, two spring assemblies, relief valve, stem assembly, seat O-ring and cover O-ring.

Series 992, 992RPDA

Reduced Pressure Zone Assemblies

Reduced Pressure Detector Assemblies

Sizes 4" – 10"

Relief valve kits

Series 992

NOTE: 992 Series utilizes 990 Repair Kits

When ordering specify Ordering Code, Kit No., and Valve Size.

ORDERING CODE	KIT NO.	FITS SIZES	LIST PRICE
Relief Valve Total			
0887327	RK 990 VT	4"	\$260.55
0887328	RK 990 VT	6" – 8"	260.55
0887329	RK 990 VT	10"	861.95

Kit consists of: relief valve stem assembly and seat O-ring.

ORDERING CODE	KIT NO.	FITS SIZES	LIST PRICE
Relief Valve Rubber Parts			
0887324	RK 990 RV	4"	168.35
0887325	RK 990 RV	6" – 8"	183.05
0887326	RK 990 RV	10"	194.95

Kit consists of: relief valve diaphragm, piston O-rings, seat disc and seat O-ring.

Series 992RPDA

NOTE: 992 Series utilizes 990 Repair Kits

When ordering specify Ordering Code, Kit No., and Valve Size.

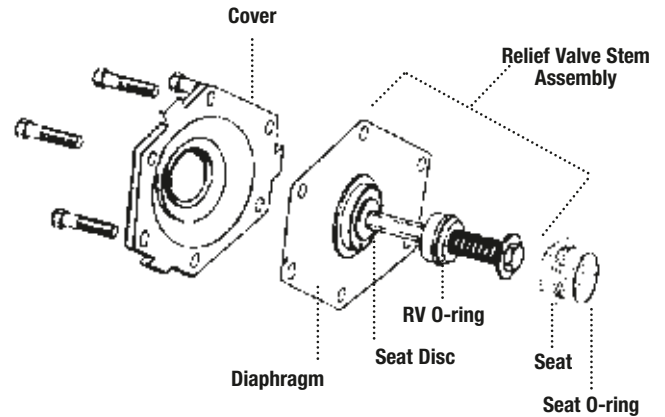
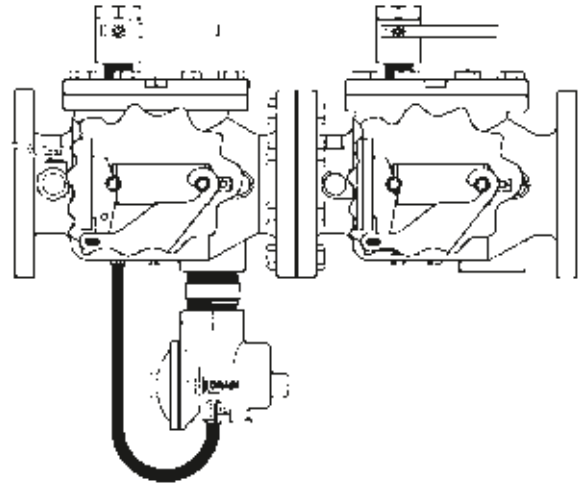
ORDERING CODE	KIT NO.	FITS SIZES	LIST PRICE
Relief Valve Total			
0887358	RK 990RPDA VT	4"	\$260.55
0887359	RK 990RPDA VT	6" – 8"	260.55
0887360	RK 990RPDA VT	10"	861.95

Kit consists of: relief valve stem assembly and seat O-ring.

ORDERING CODE	KIT NO.	FITS SIZES	LIST PRICE
Relief Valve Rubber Parts			
0887355	RK 990RPDA RV	4"	168.40
0887356	RK 990RPDA RV	6" – 8"	183.05
0887357	RK 990RPDA RV	10"	194.95

Kit consists of: relief valve diaphragm, piston O-rings, seat disc and seat O-ring.

Watts 990

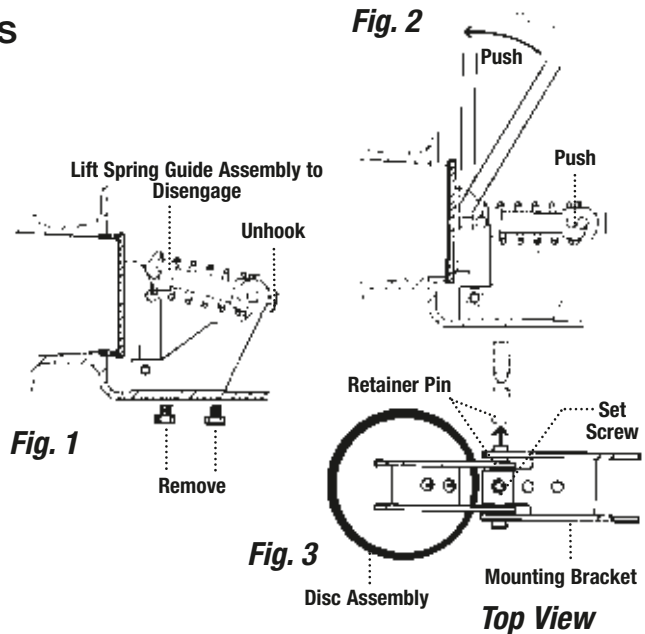
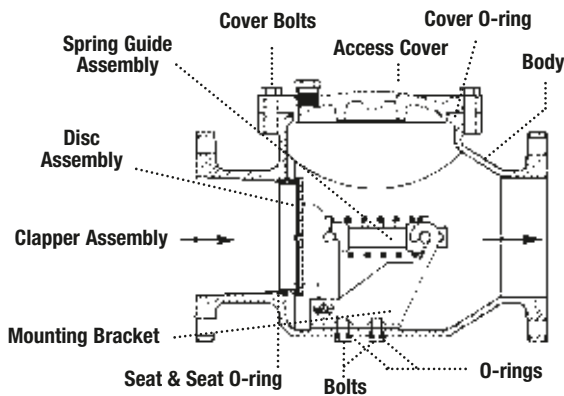


Series 992, 992RPDA

Reduced Pressure Zone Assemblies

Reduced Pressure Detector Assemblies

Sizes 4" – 10"



Check valve kits

Series 992

NOTE: 992 Series utilizes 990 Repair Kits

When ordering specify Ordering Code, Kit No., and Valve Size.

ORDERING CODE	KIT NO.	FITS SIZES	LIST PRICE
First Check Repair Kits			
0887315	RK 990 CK1	4"	\$420.65
0887316	RK 990 CK1	6" – 8"	523.35
0887317	RK 990 CK1	10"	1041.05

Second Check Repair Kits			
0887318	RK 990 CK2	4"	355.25
0887319	RK 990 CK2	6" – 8"	656.05
0887320	RK 990 CK2	10"	1148.85

Kit consists of: spring assembly and cover O-ring.

ORDERING CODE	KIT NO.	FITS SIZES	LIST PRICE
Check Rubber Parts			
0887321	RK 990 RC4	4"	488.20
0887322	RK 990 RC4	6" – 8"	617.65
0887323	RK 990 RC4	10"	788.20

Kit consists of: cover O-ring, two bolt O-rings and disc assembly for one check.

ORDERING CODE	KIT NO.	FITS SIZES	LIST PRICE
Seat Kits			
0887330	RK 990 S	4"	90.45
0887331	RK 990 S	6" – 8"	140.35
0887332	RK 990 S	10"	178.35

Kit consists of: seat and seat O-ring for one check.

ORDERING CODE	KIT NO.	FITS SIZES	LIST PRICE
Complete Rubber Parts			
0887333	RK 990 RT	4"	1107.10
0887334	RK 990 RT	6" – 8"	1456.85
0887335	RK 990 RT	10"	1771.40

Kit consists of: two cover O-rings, four bolt O-rings, two disc assemblies, one relief valve diaphragm, relief valve cover O-ring, piston O-ring, relief valve seat disc and seat O-ring.

Series 992RPDA

ORDERING CODE	KIT NO.	FITS SIZES	LIST PRICE
First Check Repair Kits			
0887340	RK 990RPDA CK1	4"	\$420.65
0887341	RK 990RPDA CK1	6" – 8"	523.35
0887342	RK 990RPDA CK1	10"	1041.05

Second Check Repair Kits			
0887343	RK 990RPDA CK2	4"	355.25
0887344	RK 990RPDA CK2	6" – 8"	656.05
0887345	RK 990RPDA CK2	10"	1148.85

Kit consists of: spring assembly and cover O-ring.

ORDERING CODE	KIT NO.	FITS SIZES	LIST PRICE
Check Rubber Parts			
0887346	RK 990RPDA RC4	4"	488.20
0887347	RK 990RPDA RC4	6" – 8"	617.65
0887348	RK 990RPDA RC4	10"	788.20

Kit consists of: cover O-ring, two bolt O-ring and disc assembly for one check.

ORDERING CODE	KIT NO.	FITS SIZES	LIST PRICE
Seat Kits			
0887352	RK 990RPDA S	4"	90.45
0887353	RK 990RPDA S	6" – 8"	140.35
0887354	RK 990RPDA S	10"	178.35

Kit consists of: seat and seat O-ring for one check.

ORDERING CODE	KIT NO.	FITS SIZES	LIST PRICE
Complete Rubber Parts			
0887361	RK 990RPDA RT	4"	1107.10
0887362	RK 990RPDA RT	6" – 8"	1456.85
0887363	RK 990RPDA RT	10"	1771.40

Kit consists of: two cover O-rings, four bolt O-rings, two disc assemblies, one relief valve diaphragm, relief valve cover O-ring, piston O-ring, relief valve seat disc and seat O-ring.

Series 993, 993RPDA

Reduced Pressure Zone Assemblies

Reduced Pressure Detector Assemblies

4" and 6"

Relief valve kits

When ordering specify Ordering Code, Kit No., and Valve Size.

Series 993

ORDERING CODE	KIT NO.	SIZE	LIST PRICE
---------------	---------	------	------------

Relief Valve Rubber Parts

0888045	RK 993 RV	4"	\$168.30
0888507	RK 993 RV	6"	168.30

Kit consists of: relief valve diaphragm, piston O-rings, disc assembly, seat O-ring and lubricant.

Relief Valve Total

0888046	RK 993 VT	4"	260.50
0888508	RK 993 VT	6"	260.50

Kit consists of: relief valve stem assembly, seat O-ring, and lubricant.

Series 993RPDA

Relief Valve Rubber Parts

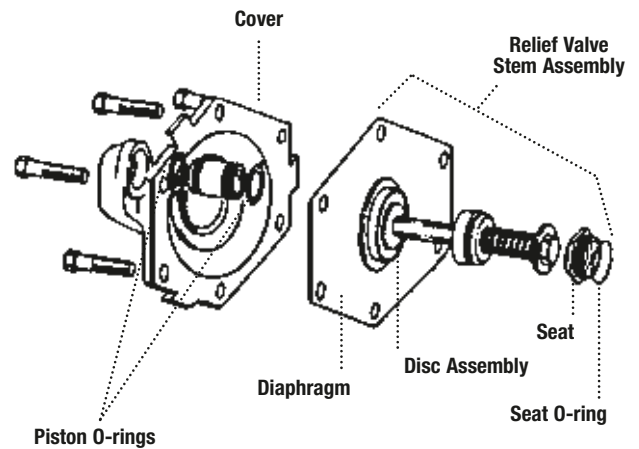
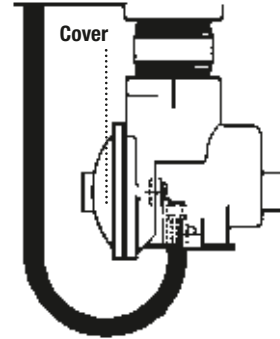
0888405	RK 993RPDA RV	4"	168.30
0888517	RK 993RPDA RV	6"	168.30

Kit consists of: relief valve diaphragm, piston O-rings, disc assembly, seat O-ring and lubricant.

Relief Valve Total

0888406	RK 993RPDA VT	4"	260.50
0888518	RK 993RPDA VT	6"	260.50

Kit consists of: relief valve stem assembly, seat O-ring, and lubricant.



Series 993, 993RPDA

Reduced Pressure Zone Assemblies

Reduced Kits Pressure Detector Assemblies

Sizes 4" and 6"

Check valve kits

When ordering specify Ordering Code, Kit No., and Valve Size.

Series 993

ORDERING CODE	KIT NO.	SIZE	LIST PRICE
---------------	---------	------	------------

First Check Kits

0888040	RK 993 CK1	4"	\$518.90
0888500	RK 993 CK1	6"	928.70

Second Check Kits

0888041	RK 993 CK2	4"	491.35
0888501	RK 993 CK2	6"	847.60

Kit consists of: disc & spring assembly, cover O-ring and lubricant.

First Check Rubber Parts Kits

0888042	RK 993 RC1	4"	75.50
0888502	RK 993 RC1	6"	85.85

Second Check Rubber Parts Kits

0888043	RK 993 RC2	4"	75.50
0888503	RK 993 RC2	6"	85.85

Kit consists of: disc assembly, cover O-ring and lubricant.

Seat Kit for Checks

0888044	RK 993 S	4"	177.95
0888504	RK 993 S	6"	305.10

Kit consists of: seat, seat O-ring, cover O-ring, retainer wire and lubricant.

Total Rubber Parts Kits

0888048	RK 993 RT	4"	319.30
0888505	RK 993 RT	6"	340.10

Kit consists of: disc assembly, cover O-ring, sleeve O-ring, piston O-ring, RV disc assembly, diaphragm, piston seat and lubricant.

Cover Kits

0888047	RK 993 C	4"	216.70
0888506	RK 993 C	6"	301.95

Kit consists of: cover, cover O-ring and lubricant.

Series 993RPDA

ORDERING CODE	KIT NO.	SIZE	LIST PRICE
---------------	---------	------	------------

First Check Kits

0888400	RK 993RPDA CK1	4"	\$536.65
0888510	RK 993RPDA CK1	6"	968.45

Second Check Kits

0888401	RK 993RPDA CK2	4"	491.35
0888511	RK 993RPDA CK2	6"	847.60

Kit consists of: disc & spring assembly, cover O-ring and lubricant.

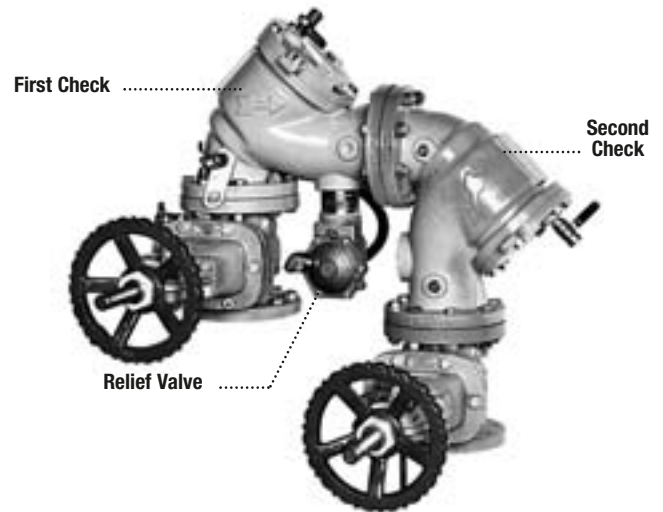
First Check Rubber Parts Kits

0888402	RK 993RPDA RC1	4"	75.50
0888512	RK 993RPDA RC1	6"	85.85

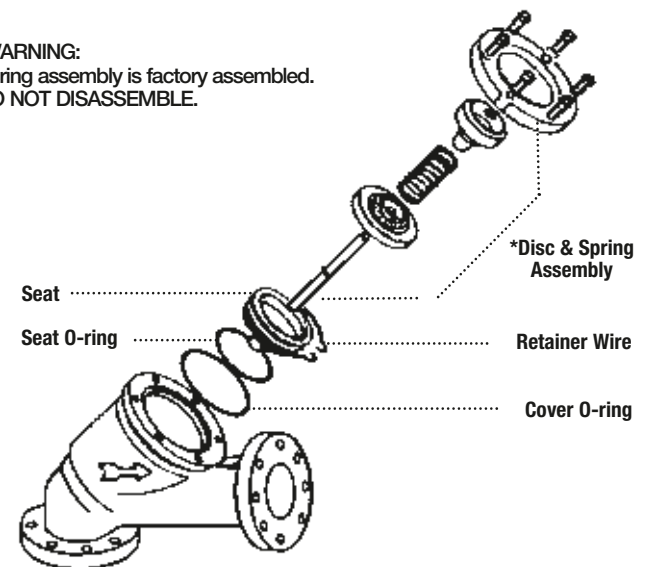
Second Check Rubber Parts Kits

0888403	RK 993RPDA RC2	4"	75.50
0888513	RK 993RPDA RC2	6"	85.85

Kit consists of: disc assembly, cover O-ring and lubricant.



***WARNING:**
Spring assembly is factory assembled.
DO NOT DISASSEMBLE.



ORDERING CODE	KIT NO.	SIZE	LIST PRICE
---------------	---------	------	------------

Seat Kit for Checks

0888404	RK 993RPDA S	4"	\$177.95
0888514	RK 993RPDA S	6"	305.10

Kit consists of: seat, seat O-ring, cover O-ring, retainer wire and lubricant.

Total Rubber Parts Kits

0888408	RK 993RPDA RT	4"	319.30
0888515	RK 993RPDA RT	6"	340.10

Kit consists of: disc assembly, cover O-ring, sleeve O-ring, piston O-ring, RV disc assembly, diaphragm, piston seat and lubricant.

Cover Kits

0888407	RK 993RPDA C	4"	216.70
0888516	RK 993RPDA C	6"	301.95

Kit consists of: cover, cover O-ring and lubricant.

Series 994, 994RPDA

Reduced Pressure Zone Assemblies

Reduced Pressure Detector Assemblies

Sizes 2½" – 10"

Repair Kits

When ordering specify Ordering Code, Kit No., and Valve Size.

ORDERING CODE	KIT NO.	SIZE	LIST PRICE
---------------	---------	------	------------

First Check Kits

0888830	RK 994/994 RPDA CK1	2½", 3", 4"	\$228.15
0888831	RK 994/994 RPDA CK1	6"	244.95
0888832	RK 994/994 RPDA CK1	8", 10"	1039.20

Kit consists of: complete No. 1 check with check O-ring.

Second Check Kits

0888833	RK 994/994 RPDA CK2	2½", 3", 4"	206.10
0888834	RK 994/994 RPDA CK2	6"	219.70
0888835	RK 994/994 RPDA CK2	8", 10"	633.65

Kit consists of: complete No. 2 check with check O-ring.

Cover Kits

0888836	RK 994/994 RPDA C	2½", 3", 4"	197.70
0888837	RK 994/994 RPDA C	6"	280.55
0888838	RK 994/994 RPDA C	8", 10"	431.70

Kit consists of: cover, grooved coupler, gasket.

Relief Valve Rubber Parts Kits

0888839	RK 994/994 RPDA RV	2½" – 10"	125.90
---------	--------------------	-----------	--------

Kit consists of: rubber disc, piston diaphragm assembly, disc retainer, relief valve body O-ring.

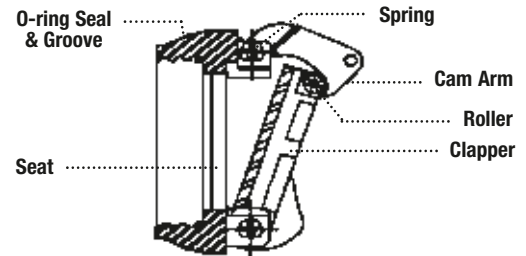
Relief Valve Total Kits

0888840	RK 994/994 RPDA VT	2½" – 10"	794.20
---------	--------------------	-----------	--------

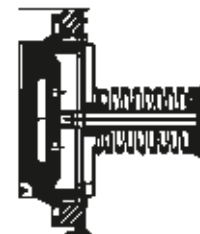
Kit consists of: body, disc, piston diaphragm assembly, hex head bolt, disc retainer, sleeve, bottom bolt, shut-off plate and bottom flange.

NOTE: Use 2½" – 4" repair kits for repair of 994 BLT, 994 HMB

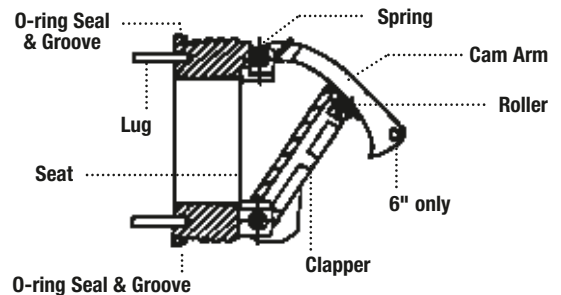
No. 1 Check 2½" & 6"



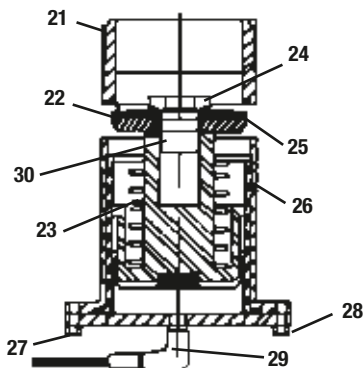
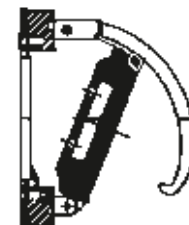
No. 1 Cam-Check 8" & 10"



No. 2 Check 2½" & 6"



No. 2 Cam-Check 8" & 10"



Parts Table

ITEM	PART DESCRIPTION	QTY.
21	Relief valve body	1
22	Rubber shutoff disc	1
23	Piston diaphragm assembly	1
24	Hex head bolt	1
25	Disc retainer	1
26	Sleeve	1
27	Bottom bolt	1
28	Bottom flange (w. st. elbow)	1
29	Bottom St. Elbow	1
30	O-ring disc	1

Series 995

Reduced Pressure Zone Assemblies

Sizes 1/2" – 1 1/2"

Repair kits

When ordering specify Ordering Code, Kit No., and Valve Size.

ORDERING CODE	KIT NO.	SIZE	LIST PRICE
---------------	---------	------	------------

First Check Kits

0888580	RK 995 CK1	1/2" – 3/4"	\$25.65
0888581	RK 995 CK1	1"	46.80
0888050	RK 995 CK1	1 1/4" – 1 1/2"	85.70

Kit consists of: check assembly and cover O-ring.

Second Check Kits

0888582	RK 995 CK2	1/2" – 3/4"	21.15
0888583	RK 995 CK2	1"	42.60
0888052	RK 995 CK2	1 1/4" – 1 1/2"	79.95

Kit consists of: check assembly and cover O-ring.

First Check Rubber Parts

0888584	RK 995 RC1	1/2" – 3/4"	8.65
0888585	RK 995 RC1	1"	8.65
0888054	RK 995 RC1	1 1/4" – 1 1/2"	11.35

Kit consists of: seat O-ring, disc assembly and cover O-ring.

Second Check Rubber Parts

0888586	RK 995 RC2	1/2" – 3/4"	8.65
0888587	RK 995 RC2	1"	8.65
0888056	RK 995 RC2	1 1/4" – 1 1/2"	11.35

Kit consists of: seat O-ring, disc assembly and cover O-ring.

Cover Kits

0888590	RK 995 C	1/2" – 3/4"	48.85
0888591	RK 995 C	1"	70.80
0888064	RK 995 C	1 1/4" – 1 1/2"	94.95

Kit consists of: cover and cover O-ring.

Relief Valve Kits

0888589	RK 995 VT	1/2" – 1"	123.50
0888060	RK 995 VT	1 1/4" – 1 1/2"	160.90

Kit consists of: seat, seat O-ring, stem and diaphragm assembly, stem O-ring, cover O-ring and relief valve spring.

Relief Valve Rubber Parts Kits

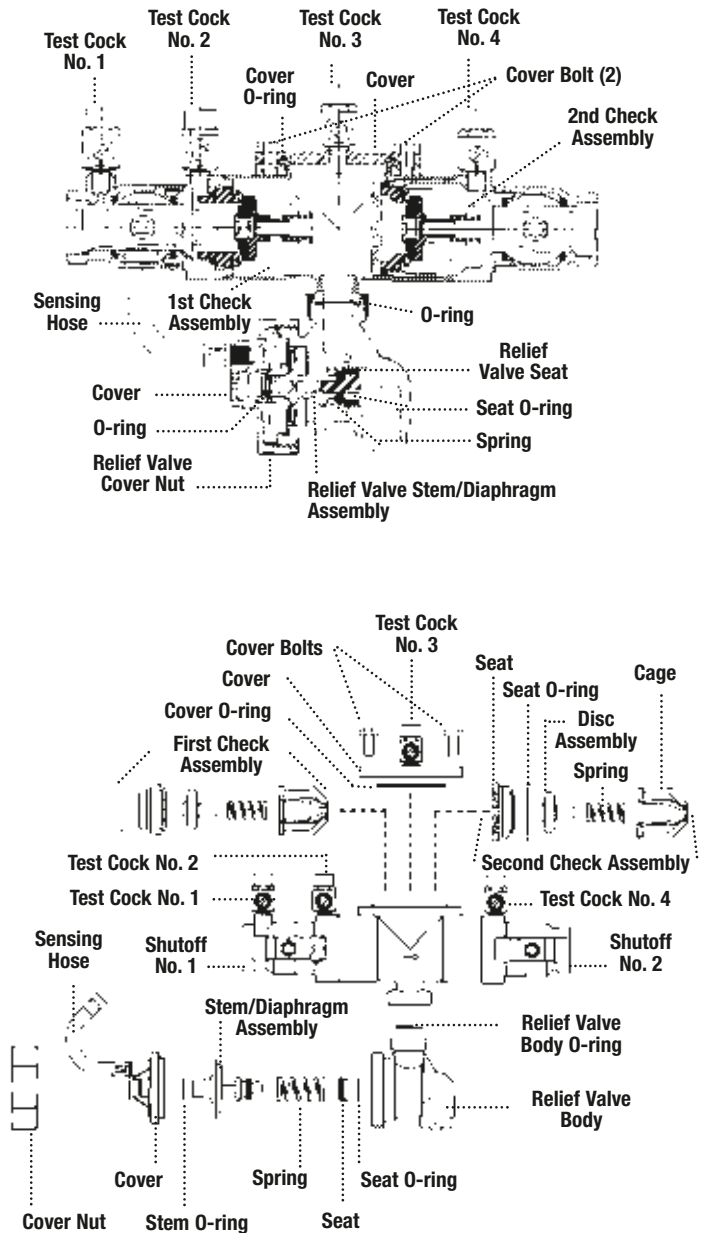
0888588	RK 995 RV	1/2" – 1"	34.95
0888058	RK 995 RV	1 1/4" – 1 1/2"	39.10

Kit consists of: diaphragm, disc, stem spring, seat O-ring and cover O-ring.

Total Rubber Parts Kits

0888592	RK 995 RT	1/2" – 3/4"	50.10
0888593	RK 995 RT	1"	50.10
0888062	RK 995 RT	1 1/4" – 1 1/2"	63.00

Kit consists of: diaphragm, relief valve disc, two check valve disc assemblies, stem O-ring, cover O-ring, two check seat O-rings, relief valve seat O-ring and relief valve body O-ring.



ORDERING CODE	KIT NO.	SIZE	LIST PRICE
---------------	---------	------	------------

RV with Hose Assembly

0888066	RK SA 995 VT	1/2" – 1"	\$142.15
0888067	RK SA 995 VT	1 1/4" – 1 1/2"	185.15

Kit consists of: relief valve body and internals, cover and sensing hose.

2

Reduced Pressure Zone Assemblies

Series 995, 995RPDA

Reduced Pressure Zone Assemblies

Reduced Pressure Detector Assemblies

Sizes 3" – 6"

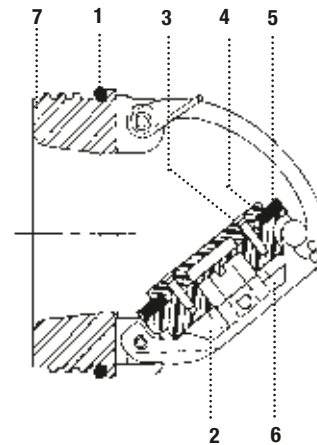
Repair Kits

When ordering specify Ordering Code, Kit No., and Valve Size.

ORDERING CODE	KIT NO.	SIZE	FOR USE W/MODEL #S	LIST PRICE
First Check Kits				
0888915	RK 995/995 RPDA CK1	3" – 4"	3" – 4" 995/995 RPDA	\$350.90
0888916	RK 995/995 RPDA CK1	6"	6" 995/995 RPDA	470.95
Kit consists of: complete #1 check assembly and check O-ring.				
Second Check Kits				
0888917	RK 995/995 RPDA CK2	3" – 4"	3" – 4" 995/995 RPDA	398.60
0888918	RK 995/995 RPDA CK2	6"	6" 995/995 RPDA	550.90
Kit consists of: complete #2 check assembly and check O-ring.				
First Check Rubber Parts Kits				
0888923	RK 995/995 RPDA RC1	3" – 4"	3" – 4" 995/995 RPDA	14.20
0888924	RK 995/995 RPDA RC1	6"	6" 95/995 RPDA	20.20
Kit consists of: first check assembly O-ring, check disc, and (2) C-clips.				
Second Check Rubber Parts Kits				
0888925	RK 995/995 RPDA RC2	3" – 4"	3" – 4" 995/995 RPDA	21.95
0888926	RK 995/995 RPDA RC2	6"	6" 995/995 RPDA	32.20
Kit consists of: second check assembly O-ring, check disc, and (2) C-clips.				
Rubber Total Parts Kits				
0888927	RK 995/995 RPDA RT	3" – 4"	3" – 4" 995/995 RPDA	328.90
0888928	RK 995/995 RPDA RT	6"	6" 995/995 RPDA	409.25
Kit consists of: first and second check assembly O-ring, first and second check disc, (4) C-clips, RV diaphragm, RV disc, RV lower O-ring, RV upper O-ring.				
Cover Kits				
0888929	RK 995/995 RPDA C	3" – 4"	3" – 4" 995/995 RPDA	225.25
0888930	RK 995/995 RPDA C	6"	6" 995/995 RPDA	422.55
Kit consists of: cover and cover O-ring.				

Parts Table

ITEM	PART DESCRIPTION	QTY.
1	1st Cam-Check O-ring (removable)	1
2	Clapper Assembly (removable)	1
3	Clapper Retaining Plate Screws (removable)	4
4	Clapper Retainer Plate (removable)	1
5	Clapper Disc (removable)	1
6	Pivot Arm Pin (removable) 2 c-clips	1
7	2nd Cam-Check O-ring (removable)	1



NOTE: Align holes and insert pin or small screwdriver to hold in open position.

Series 995, 995RPDA

Reduced Pressure Zone Assemblies

Reduced Pressure Detector Assemblies

Sizes 3" – 6"

Relief Valve Kits

When ordering specify Ordering Code, Kit No., and Valve Size.

ORDERING CODE	KIT NO.	SIZE	LIST PRICE
Relief Valve Total Kits			
0888919	RK 995/995 RPDA VT	3" – 4"	\$882.80
0888920	RK 995/995 RPDA VT	6"	887.90
0888933	RK 995/995 RPDAM1 VT	3" – 4"	882.80
0888934	RK 995/995 RPDAM1 VT	6"	887.90

Kit consists of: relief valve assembly, cover plate, diaphragm, and all relief valve components.

Relief Valve Rubber Parts List

0888921	RK 995/995 RPDA RV	3" – 4"	305.30
0888922	RK 995/995 RPDA RV	6"	357.65
0888931	RK 995/995 RPDAM1 RV	3" – 4"	305.30
0888932	RK 995/995 RPDAM1 RV	6"	357.65

Kit consists of: RV diaphragm, RV disc, lower O-ring, upper O-ring.

RELIEF VALVE SERVICE INSTRUCTIONS

1. Prior to beginning any maintenance work, shut down the water supply to the unit.
2. The relief valve is an integral part of the lid assembly and may be serviced when the lid assembly is removed from the body of the valve.
3. The relief valve may be disconnected from the sensing line hose if desired to enable easier access to all parts of the assembly.

REPLACING THE SEALING DISC

1. Unscrew the lower guide, (5) from the shaft (3).
2. Replace the sealing disc assembly (4).
3. Screw the lower guide (5) back into the shaft (3). The lower guide will seal the assembly with pressure against the elastomer in the sealing disc assembly (4).

COMPLETE DISASSEMBLY OF THE RELIEF VALVE

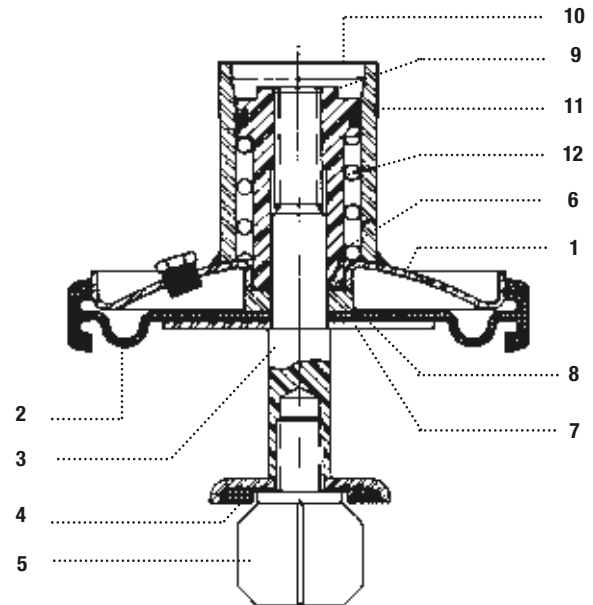
1. Remove the sealing disc as above.
2. Remove the dust cover (10) from the cover weldment (1).
3. Unload the internal spring by unscrewing the guide, shaft (9) using a socket wrench.
4. Draw the shaft out through the bottom of the diaphragm.
5. Remove the spring through the top of the cover weldment.
6. Remove guide O-ring (6).
7. Remove O-ring (12) from the guide shaft.

REASSEMBLY

1. Replace all O-rings
2. Reverse disassembly steps above.

Parts Table

ITEM	PART DESCRIPTION	QTY.
1	Cover	1
2	Diaphragm/Gasket	1
3	Shaft	1
4	Sealing Disc	1
5	Guide, Lower	1
6	O-ring	1
7	Support Disc	1
8	Disc, Diaphragm Stop	1
9	Guide, Upper	1
10	Cover, Dust	1
11	O-ring, Upper	1
12	Spring	1



Troubleshooting Guide

Reduced Pressure Zone Assemblies, Reduced Pressure Detector Assemblies

2

Reduced Pressure Zone Assemblies

PROBLEM	CAUSE	Should valve be replaced?	SOLUTION
A. Valve spits periodically from the vent.			
	A.1 Fluctuating supply pressure.	No	A.1 Install a spring-loaded, soft seated check valve immediately upstream of the device.
	A.2 Fluctuating downstream pressure.	No	A.2 Install a spring-loaded, soft seated check valve downstream of the device as close as possible to the shutoff valve.
B. Valve drips continually from the vent.			
	B.1 Fouled first check.	No	B.1 Flush valve. If flushing does not resolve problem, disassemble valve and clean or replace the first check.
	B.2 Damaged or fouled relief valve seat.	No	B.2 Clean or replace the relief valve seat.
	B.3 Relief valve piston "O" ring not free to move due to pipe scale, dirt or build-up of mineral deposits.	No	B.3 Clean, grease or replace the piston "O" ring.
	B.4 Excessive backpressure, freezing, or water hammer	No	B.4 Eliminate source of excessive backpressure or hammer has distorted the second check water hammer in the system downstream of the device. Use Watts Series 601 to dampen out backpressure and Series 15 to eliminate water hammer. Replace defective second check assembly. In case of freezing; thaw, disassemble, and inspect internal components. Replace as necessary.
	B.5 Electrolysis of relief valve seat or first .	No	B.5 Replace relief valve seat or inlet cover. Install check seats dielectric unions (Watts Series 3001 through 3006). Electrically ground the piping system and/or electrically isolate the device with plastic pipe immediately upstream and downstream of the device.
	B.6 Valve improperly reassembled.	No	B.6 If valve is disassembled during installation, caution must be exercised to install check springs in their proper location.
C. Valve exhibits high pressure drop.			
	C.1 Fouled strainer.	No	C.1 Clean strainer element or replace.
	C.2 Valve too small for flows encountered.	Yes	C.2 Install proper size device based upon flow requirements.
D. No water flows downstream of valve.			
	D. Valve installed backwards.	No	D. Install valve in accordance with flow direction arrow.
E. Valve does not test properly.			
	E.1 Follow manufacturer's test procedure.	No	E.1, E.2 Clean or replace gate valve with full port ball valves or resilient wedge shutoff valves.
	E.2 Leaky downstream gate valve.	No	
F. Valve quickly and repeatedly fouls following servicing.			
	F. Debris in pipe line is too fine to be trapped. by strainer	No	F. Install finer mesh strainer element in the strainer.
G. Winterization of backflow preventers.			
			G. Prevent freeze damage by enclosing in a WATTSBOX heat-enclosure. For additional information, send for literature ES-WB.

Series 008, 008PC

Anti-Siphon, Anti-Spill Vacuum Breaker

Sizes $\frac{3}{8}$ " – 1"

Repair Kits

When ordering specify Ordering Code, Kit No., and Valve Size.

ORDERING CODE	KIT NO.	SIZE	LIST PRICE
---------------	---------	------	------------

Check Kits

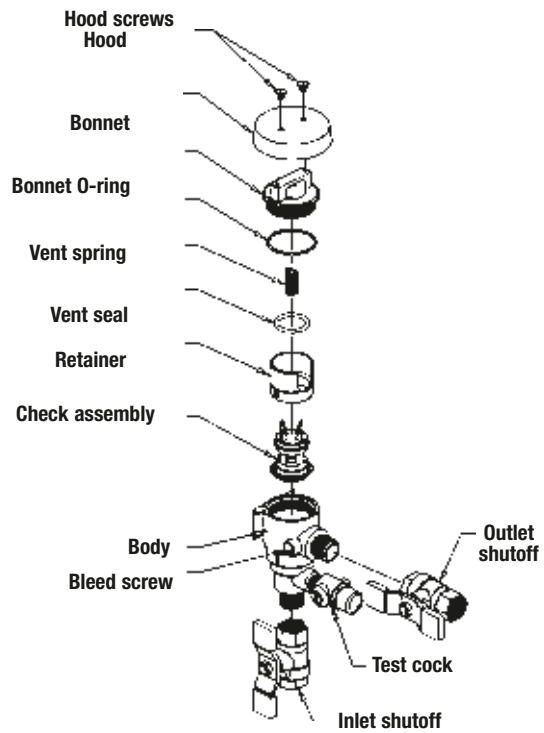
0887972	RK 008 T	$\frac{3}{8}$ ", $\frac{1}{2}$ "	\$42.25
0887974	RK 008 T	$\frac{3}{4}$ " – 1"	86.45

Kit consists of: check assembly, O-ring, spring, vent O-ring, bleed screw O-ring and retainer.

Bonnet Kits

0888012	RK 008 B	$\frac{3}{8}$ ", $\frac{1}{2}$ "	13.50
0887973	RK 008 B	$\frac{3}{4}$ " – 1"	28.85

Kit consists of: bonnet, bonnet O-ring and vent spring.



Series 800M, 800CM

Pressure Vacuum Breaker Compact Model

Sizes $\frac{1}{2}$ " and $\frac{3}{4}$ "

Repair Kits

When ordering specify Ordering Code, Kit No., and Valve Size.

ORDERING CODE	KIT NO.	SIZE	LIST PRICE
---------------	---------	------	------------

0886043	RK 800M C	$\frac{1}{2}$ ", $\frac{3}{4}$ "	\$14.50
---------	-----------	----------------------------------	---------

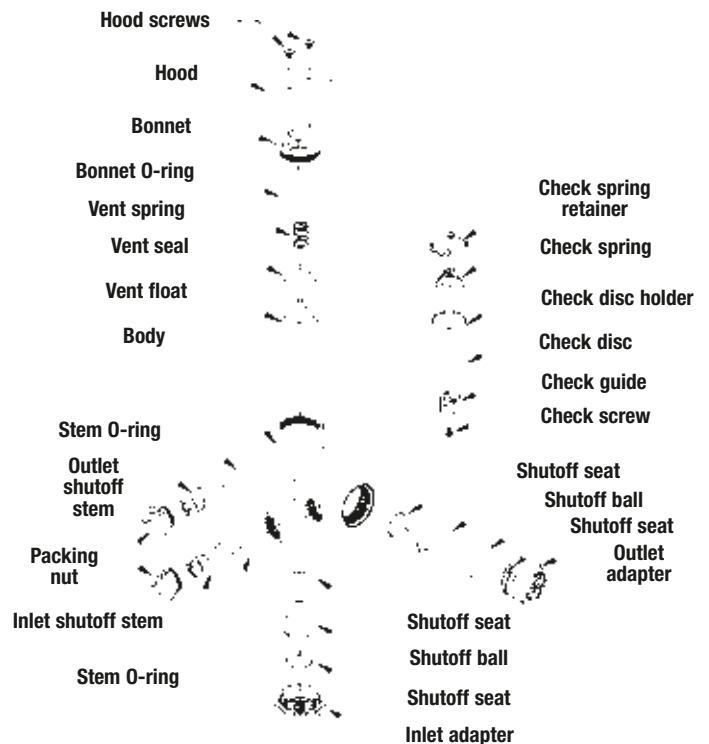
Kit consists of: brass cover (hood) and screws.

0886044	RK 800CM C	$\frac{1}{2}$ ", $\frac{3}{4}$ "	17.35
---------	------------	----------------------------------	-------

Kit consists of: chrome cover (hood) and screws.

0886030	RK 800M/CM T	$\frac{1}{2}$ ", $\frac{3}{4}$ "	45.15
---------	--------------	----------------------------------	-------

Kit consists of: check disc assembly, vent float & vent seal, check spring, vent spring, bonnet assembly and hood screws.



Series 800M4, 800M4FR

Pressure Vacuum Breaker

Sizes 1/2" – 2"

Repair Kits

When ordering specify Ordering Code, Kit No., and Valve Size.

ORDERING CODE	KIT NO.	SIZE	LIST PRICE
Check Kits			
0887703	*RK 800M4 CK	1/2", 3/4"	\$17.70
0887704	*RK 800M4 CK	1"	17.70
0887705	*RK 800M4 CK	1 1/4" – 2"	31.40

Kit consists of: check disc assembly (disc & disc holder), bonnet O-ring and check spring. *Fits 800M4FR models

Vent Float Kits

0887709	RK 800M4 V	1/2", 3/4"	7.80
0887710	RK 800M4 V	1"	7.80
0887711	RK 800M4 V	1 1/4" – 2"	28.30

Kit consists of: float vent disc assembly (vent float, seal & spring) and bonnet O-ring.

FR Vent Float Kits

0887725	RK 800M4 FRV	1/2", 3/4"	23.00
0887715	RK 800M4 FRV	1"	27.25
0887716	RK 800M4 FRV	1 1/4" – 2"	33.40

Kit consists of: float disc assembly, vent spring and bonnet O-ring.

Retrofit Kits (Kits to convert 800M4QT to 800M4FR)

0887726	Retro 800M4 FR	1/2", 3/4"	24.40
0887715	for 1" retrofit	1"	27.25
0887717	Retro 800M4 FR	1 1/4" – 2"	48.85

Kit consists of: float disc assembly, vent spring, bonnet, bonnet O-ring. (1 1/4" – 2" Kit also includes hood & screws)

Bonnet Assembly Kits

0887700	RK 800M4 B	1/2", 3/4"	26.10
0887701	RK 800M4 B	1"	26.55
0887702	RK 800M4 B	1 1/4" – 2"	57.65

Kit consists of: bonnet, bonnet O-ring, vent spring, hood & hood screws.

Rubber Parts Kits

0887706	RK 800M4 RT	1/2", 3/4"	11.20
0887707	RK 800M4 RT	1"	11.60
0887708	RK 800M4 RT	1 1/4" – 2"	16.65

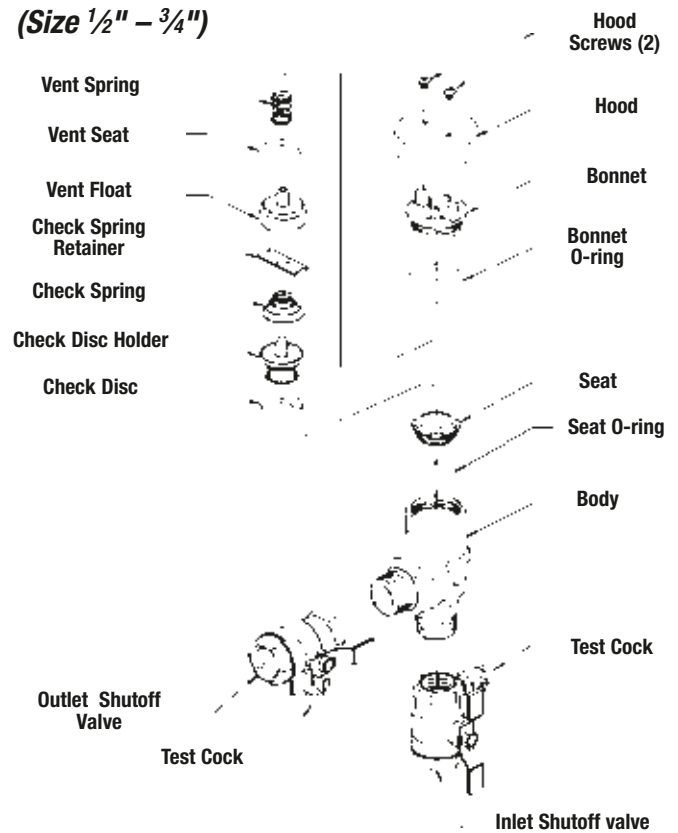
Kit consists of: vent seal, check disc and bonnet O-ring.

Seat Kits

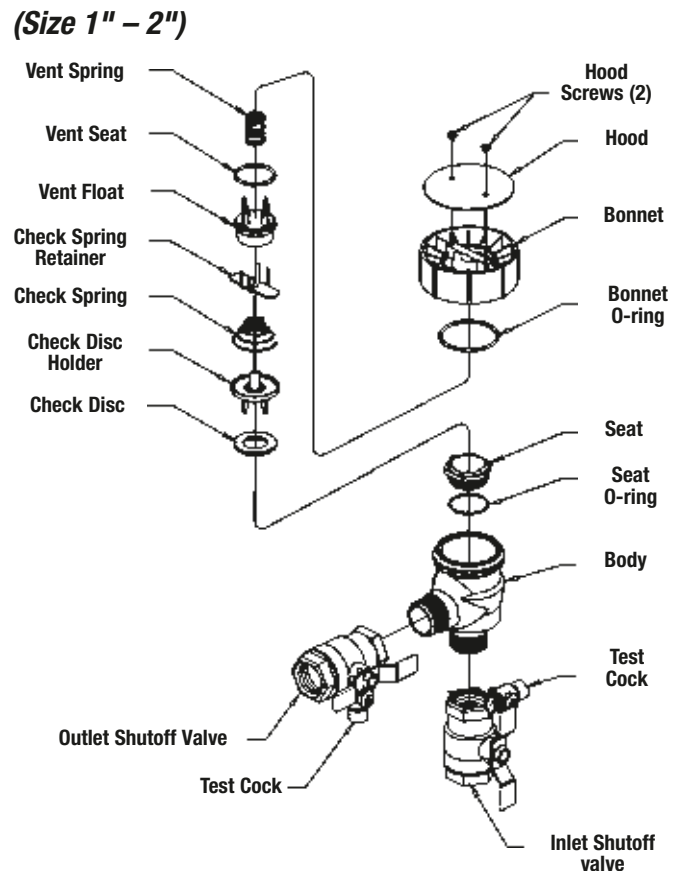
0887712	RK 800M4 S	1/2", 3/4"	13.45
0887713	RK 800M4 S	1"	26.90
0887714	RK 800M4 S	1 1/4" – 2"	38.55

Kit consists of: seat, seat O-ring and bonnet O-ring.

(Size 1/2" – 3/4")



(Size 1" – 2")



Series 800M3

Pressure Vacuum Breaker

Sizes 1/2" and 3/4"

Repair Kits

When ordering specify Ordering Code, Kit No., and Valve Size.

ORDERING CODE	KIT NO.	SIZE	LIST PRICE
---------------	---------	------	------------

Check Kits

0886042	RK 800M3 CK	1/2", 3/4"	\$18.70
---------	-------------	------------	---------

Kit consists of: check disc assembly (disc & disc holder), bonnet O-ring and check spring.

Vent Float Kits

0886041	RK 800M3 V	1/2", 3/4"	8.85
---------	------------	------------	------

Kit consists of: float vent disc assembly (vent float, seal & spring) and bonnet O-ring.

Bonnet Assembly Kits

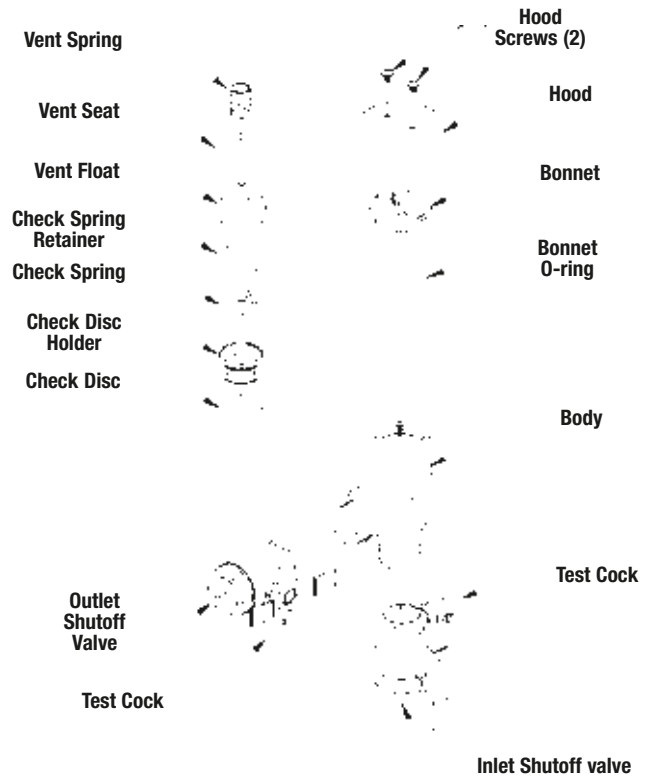
0886040	RK 800M3 B	1/2", 3/4"	28.25
---------	------------	------------	-------

Kit consists of: bonnet, bonnet O-ring, vent spring, hood & hood screws.

Rubber Part Kits

0886039	RK 800M3 RT	1/2", 3/4"	12.40
---------	-------------	------------	-------

Kit consists of: vent seal, check disc and bonnet O-ring.



Series 800M2

Pressure Vacuum Breaker

Sizes 1/2" – 2"

Repair Kits

When ordering specify Ordering Code, Kit No., and Valve Size.

ORDERING CODE	KIT NO.	SIZE	LIST PRICE
---------------	---------	------	------------

Check Kits

0886037	RK 800M2 CK	1/2" – 1"	\$18.70
---------	-------------	-----------	---------

0886038	RK 800M2 CK	1 1/4" – 2"	33.20
---------	-------------	-------------	-------

Kit consists of: check disc assembly (disc & holder), bonnet O-ring and check spring.

Vent Float Kits

0886035	RK 800M2 V	1/2" – 1"	8.85
---------	------------	-----------	------

0886036	RK 800M2 V	1 1/4" – 2"	21.75
---------	------------	-------------	-------

Kit consists of: float vent disc assembly (vent float, seal & spring) and bonnet O-ring.

Bonnet Assembly Kits

0886033	RK 800M2 B	1/2" – 1"	28.25
---------	------------	-----------	-------

0886034	RK 800M2 B	1 1/4" – 2"	62.25
---------	------------	-------------	-------

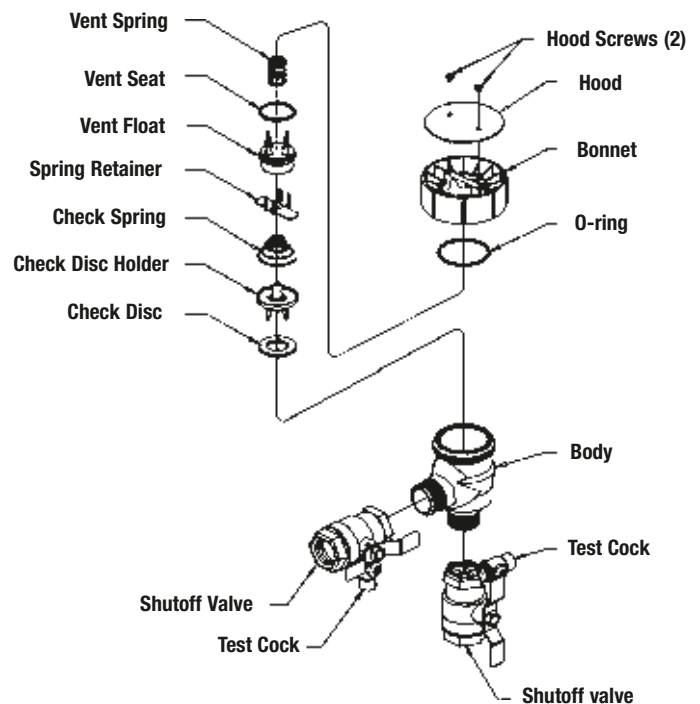
Kit consists of: bonnet, bonnet O-ring, vent spring, hood & hood screws.

Rubber Parts Kits

0886031	RK 800M2 RT	1/2" – 1"	12.80
---------	-------------	-----------	-------

0886032	RK 800M2 RT	1 1/4" – 2"	18.25
---------	-------------	-------------	-------

Kit consists of: vent seal, check disc and bonnet O-ring.



Series 800

Pressure Vacuum Breaker

Sizes 1/2" – 2"

Repair Kits

When ordering specify Ordering Code, Kit No., and Valve Size.

ORDERING CODE	KIT NO.	SIZE	LIST PRICE
Check Kits			
0886027	RK 800 CK	1/2" – 1"	\$33.35
0886028	RK 800 CK	1 1/4" – 2"	88.70

Kit consists of: check disc assembly (disc holder, disc, washer, guide and screw), bonnet O-ring and check spring.

Vent Float Kits

0886025	RK 800 V	1/2" – 1"	33.35
0886026	RK 800 V	1 1/4" – 2"	122.65

Kit consists of: float vent disc assembly and bonnet O-ring.

Bonnet Kits

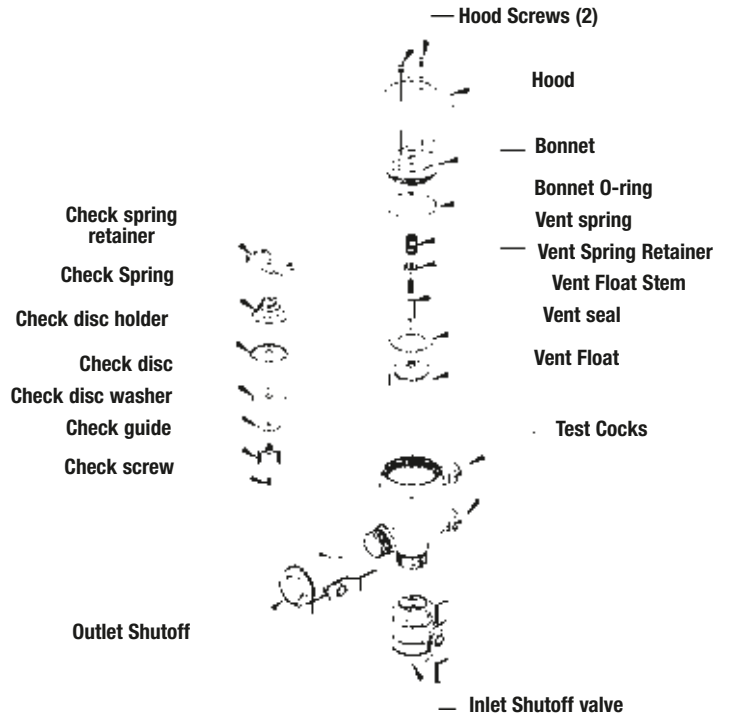
0886023	RK 800 B	1/2" – 1"	69.40
0886024	RK 800 B	1 1/4" – 2"	120.90

Kit consists of: bonnet, vent float stem, vent retainer, spring and bonnet O-ring.

Rubber Parts Kits

0886021	RK 800 RT	1/2" – 1"	29.45
0886022	RK 800 RT	1 1/4" – 2"	48.65

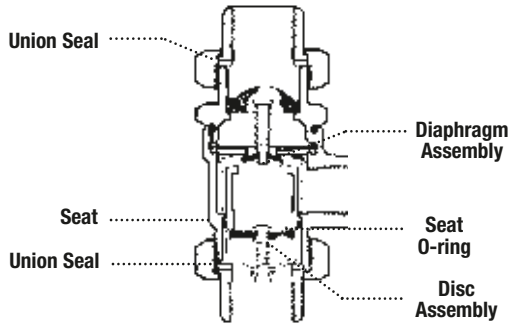
Kit consists of: vent seal, check disc and bonnet O-ring.



Repair Kits

When ordering specify Ordering Code, Kit No., and Valve Size.

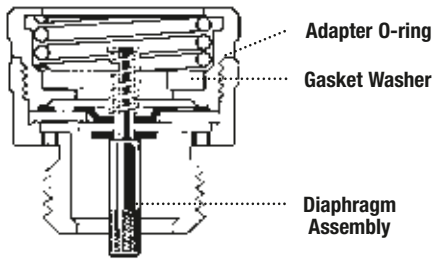
Series 9D



ORDERING CODE	KIT NO.	SIZE	LIST PRICE
0886010	RK 9DM2 T	1/2" - 3/4"	\$35.40
0886011	RK 9DM3 T	1/2"	33.10

Kit consists of: diaphragm assembly, disc assembly, seat, seat O-ring and two union seals

Series 8A, NF8

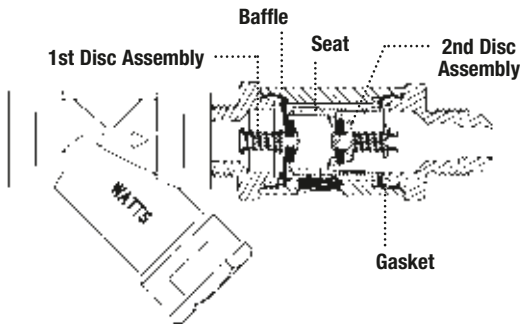


ORDERING CODE	KIT NO.	SIZE	LIST PRICE
0886013	RK 8A T	3/4"	\$9.45
0886014	RK NF8 T	3/4"	9.45

8A Kit consists of: diaphragm assembly, gasket washer and one O-ring

NF8 Kit consists of: diaphragm assembly, gasket washer and three O-rings (adapter O-ring and two sleeve O-rings)

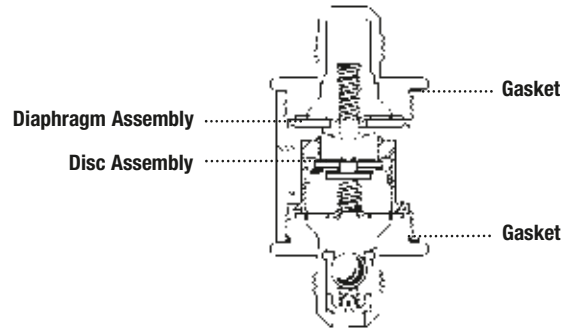
SD3



ORDERING CODE	KIT NO.	SIZE	LIST PRICE
0888556	RK SD3-T	1/4", 3/8"	\$33.70

Kit consists of: 1st & 2nd disc assemblies, baffle, seat and gasket

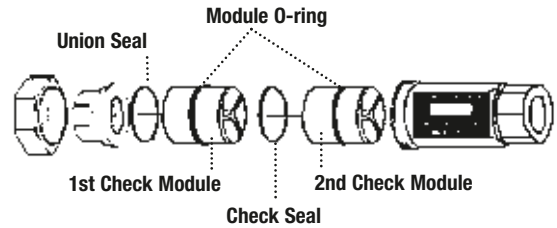
Series 9BD



ORDERING CODE	KIT NO.	SIZE	LIST PRICE
0886012	RK 9BD T	1/4", 3/8"	\$33.70

Kit consists of: diaphragm assembly, disc assembly and two gaskets

Series 7



ORDERING CODE	KIT NO.	SIZE	LIST PRICE
0886015	RK 7/CU7 T	1/2" - 1 1/4"	\$20.95
0886009	RK 7/7C T	3/8"	20.95
0886016	RK 7B T	3/4"	30.35
0886018	RK A7 T	5/8" - 3/4"	30.35
0886017	RK 07S T	1"	45.35
*0886005	RK L7T	3/4" - 1"	25.55

Kit consists of: first and second check modules, two module O-rings, union seal and check seal.

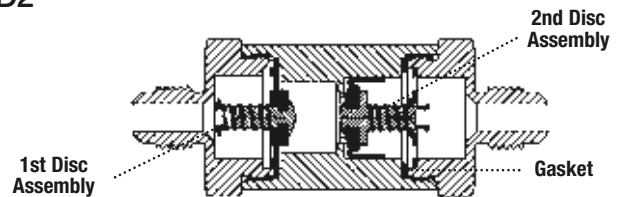
*Kit consists of: two disc assemblies, two springs, two cover seal O-rings and two union O-rings.

Series N9, NLF9, N9-CD, 912HP

ORDERING CODE	KIT NO.	SIZE	LIST PRICE
0886019	RK N9/NLF9 T	1/4", 3/8"	\$16.65
0886004	RK N9-CDT	3/4"	21.50
0886008	RK 912HP T	3/4" - 1"	44.30

Kit No. N9, NLF9 consists of: diaphragm assembly, disc assembly and gasket

SD2



ORDERING CODE	KIT NO.	SIZE	LIST PRICE
0888555	RK SD2-T	1/4", 3/8"	\$32.15

Kit includes: 1st & 2nd Disc assemblies, and Gasket

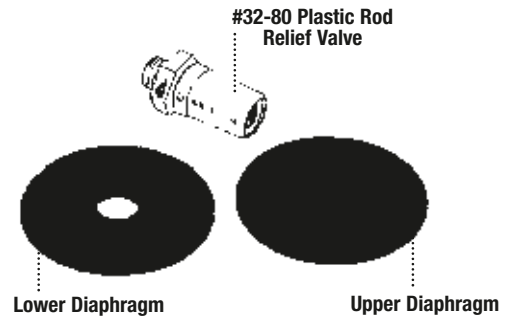
Governor 80 and Governor 80M1 Ball Cock and Relief Valve

Repair Kits

When ordering specify Ordering Code, Kit No., and Valve Size.

ORDERING CODE	KIT NO.	SIZE	LIST PRICE
0721475	Gov. 80-RK	ALL	\$25.95
0721515	Gov. 80M1-RK	ALL	25.95

Kit consists of: one upper diaphragm, one lower diaphragm and one #32-80 relief valve.



Series 188A, 288A, 289, 388ASC, N388

Repair Kits

When ordering specify Ordering Code, Kit No., and Valve Size.

ORDERING CODE	KIT NO.	SIZE	LIST PRICE
---------------	---------	------	------------

188A/288A/388ASC

0887170	RK 188A/288A/388 T	1/4" - 3/8"	\$11.55
0887171	RK 188A/288A/388 T	1/2"	18.55
0887172	RK 188A/288A/388 T	3/4" - 1"	18.55
0887173	RK 188A/288A/388 T	1 1/4"	26.90
0887174	RK 188A/288A/388 T	1 1/2"	67.35
0887175	RK 188A/288A/388 T	2"	101.40
0887176	RK 188A/288A/388 T	2 1/2" - 3"	173.55

for 288A's with bell shaped hood

0887164	RK 288AZ1 T	1/4" - 3/8"	24.60
0887165	RK 288AZ1 T	1/2"	31.60
0887166	RK 288AZ1 T	3/4"	33.05

Kit consists of: disc assembly (includes disc and disc float) and bonnet O-ring.

289

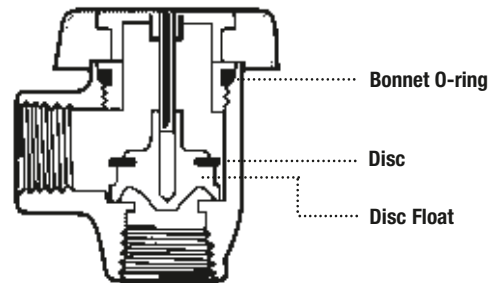
0887177	RK 289 T	3/8" - 1/2"	42.25
0887179	RK 289 T	3/4" - 1"	86.45

Kit consists of: check assembly, vent spring, retainer and bonnet O-ring.

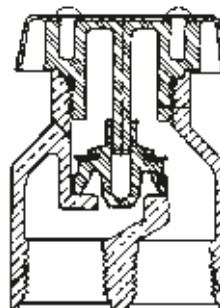
0887178	RK 289 B	3/8" - 1/2"	13.50
0887196	RK 289 B	3/4" - 1"	28.85

Kit consists of: bonnet, bonnet O-ring and vent spring.

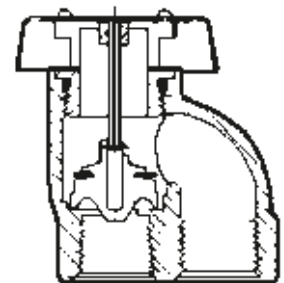
188A/288A



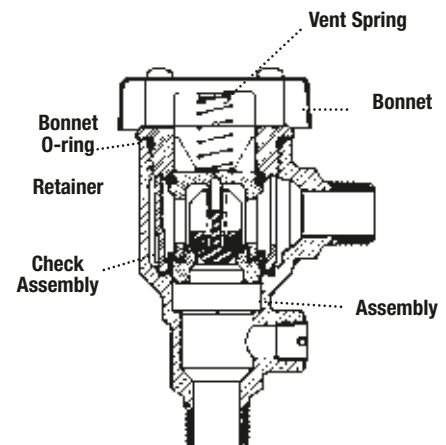
N388



388ASC



289



Universal Rubber Repair Kits

ORDERING CODE	KIT NO.	SIZE	LIST PRICE
0887800	RK 007 UNI RT 3/4		58.55
Kit consists of: RK 007M2 RT, RK 007M3 RT, RK 007 RT, RK 007M1 RT			
0887801	RK 007 UNI RT 1		29.90
Kit consists of: RK 007M2 RT, RK 007M1 RT			
0887721	RK 007 RT 1 1/4		24.45
<i>1 1/4" 007 only has the M2 version and does require a universal kit.</i>			
0887802	RK 007 UNI RT 1 1/2		86.50
Kit consist of: RK 007M1 RT, RK 007M1 RT, RK 007M2 RT			
0887803	RK 007 UNI RT 2		66.00
Kit consists of: RK 007 RT, RK 007M1 RT			
0887804	RK 009 UNI RT 3/4		125.25
Kit consists of: RK 009M2 RT, RK 009M3 RT, RK 009 RT			
0887805	RK 009 UNI RT 1		84.05
Kit consists of: RK 009 RT, RK 009M2 RT			
0887806	RK 009 UNI RT 1 1/4		222.30
Kit consists of: RK 009M2, RK 009M1, RK 009 RT			
0887807	RK 009 UNI RT 1 1/2		222.95
Kit consists of: RK 009M2, RK 009M1, RK 009 RT			
0887808	RK 009 UNI RT 2		223.00
Kit consists of: RK 009M1 RT, RK 009 RT, RK 009M2 RT			
0887809	RK 800 UNI RT 1/2		55.20
Kit consists of: RK 800M4 RT, RK 800M3 RT, RK 800M2 RT, RK 800 RT			
0887810	RK 800 UNI RT 3/4		55.20
Kit consists of: RK 800M4 RT, RK 800M3 RT, RK 800M2 RT, RK 800 RT			
0887811	RK 800 UNI RT 1		45.15
Kit consists of: RK 800M4 RT, RK 800M2 RT, RK 800 RT			
0887812	RK 800 UNI RT 1 1/4		70.10
Kit consists of: RK 800M4 RT, RK 800M2 RT, RK 800 RT			
0887813	RK 800 UNI RT 1 1/2		70.10
Kit consists of: RK 800M4 RT, RK 800M2 RT, RK 800 RT			
0887814	RK 800 UNI RT 2		70.10
Kit consists of: RK 800M4 RT, RK 800M2 RT, RK 800 RT			

Accessories/Auxiliary Equipment

When ordering specify Ordering Code, Kit No., and Valve Size.

ORDERING CODE	KIT NO.	SIZE	LIST PRICE
Flanged Accessory Kits			
0885020	AK FLGE 709-909*	2½"	\$33.40
0885021	AK FLGE 709-909*	3"	35.50
0885022	AK FLGE 709-909*	4"	71.45
0885023	AK FLGE 709-909*	6"	107.95
0885024	AK FLGE 709-909*	8"	201.25
0885025	AK FLGE 709-909*	10"	376.70
0885026	AK FLGE 007-009*	2½" - 3"	38.40

Kits consist of: 2 gaskets; 8 nuts and bolts.

*Also used for 770 - 990

ORDERING CODE	KIT NO.	SIZE	LIST PRICE
Strainer Kits			
0885010	AK Strainer	½"	63.00
0885011	AK Strainer	¾"	66.80
0885012	AK Strainer	1"	79.55
0885013	AK Strainer	1¼"	100.55
0885014	AK Strainer	1½"	137.85
0885015	AK Strainer	2"	210.15

Kits consist of: strainer assembly; 1 nipple and test cock.

ORDERING CODE	KIT NO.	SIZE	LIST PRICE
Test Cocks			
0006628	½ EZ-TC SS	½"-1"	53.65
0006630	½ NPT TC	¾"-1"	19.00
0006631	½ EZ-TC *	½"-1"	12.35
0006635	¼ TC	1¼"-2"	19.00
0006903	½ SAE-TC Adapter	¼" - 7/16"	20.90
0006904	½ SAE-TC	¼" - 1"	18.55
0888845	RK SAE-TC	¼" - 1"	9.45
0888846	RK-TC-P ½-¼	cap & tether only	0.85
0006902	½ SAE-TC Brass Cap		1.30
0007000	½ TC 757/957	2½" - 4"	35.95
0007001	¾ TC 757/957	6" - 10"	37.30
0007002	RK TC#3 757/957	2½" - 4"	42.35
0007003	RK TC#3 757/957	6" - 10"	42.35
0546744	FBV-M ½	2½"- 4"	24.00
0891933	B6002 ¾	6" - 10"	33.35

ORDERING CODE	KIT NO.	SIZE	LIST PRICE
Test Cock for Gate Valve			
0891931	B6000 M2 ¾	6" - 10"	23.55

*EZ-TC fits test cock #2, #3, and #4 - not for use on shutoffs or hot water models.

ORDERING CODE	KIT NO.	SIZE	LIST PRICE
Air gaps			
0881399	909-AGA	¼" - ½" 009, ½" - 1" 995 ¾" 009M2/M3	37.75
0881376	909-AGC	¾", 1" 009/909 1¼"-1½" 009M2 1¼"-2" 995	46.80
0881378	909-AGF	1¼" - 2" 009M1, 2" 009M2 1¼" - 3" 009/909 4" - 6" 990	95.20
0881385	909-AGK	4" - 6" 909, 8" - 10" 909M1 8" 990	192.60
0881387	909-AGM	8" - 10" 909	192.60
0881575	919 AGA	¼" - ½"	37.75
0881576	919 AGC	¾" - 1"	46.80
0881577	919 AGF	1¼" - 2"	95.20
0111764	957-AG	2½" - 10" 957	123.20
0111815	957-AG Splash Guard Only	4" - 10"	36.50
0881397	994-AGKP	2½" - 10" 994	121.50
0439190	995-AG	3" - 6" 995	113.50

ORDERING CODE	KIT NO.	SIZE	LIST PRICE
Elbows			
0881370	909-ELA	¼" - ½" 009 ¾" 009M2/M3	\$26.50
0881380	909-ELC	¾" - 1" 009/909, 1¼" - 1½" 009M2	28.85
0881382	909-ELF (vertical)	1¼" - 2" 009M1, 2" 009M2, 4" - 6" 990	55.75
0881384	909-ELH (vertical)	2½" - 3" 009/909	169.75
0881396	994-ELF (vertical)	2½" - 10" 994	332.05

ORDERING CODE	KIT NO.	SIZE	LIST PRICE
Plastic Retainer			
0887365	RK 009 RET-P	¾" - 1"	13.95

For use on ¾" and 1" 009 and 007 series.

ORDERING CODE	KIT NO.	SIZE	LIST PRICE
Hose Assembly Kit (sensing line)			
0881486	AK 909 Hose Assembly	2½" - 4"	115.65
0881487	AK 909 Hose Assembly	6" - 8"	128.50
0881488	AK 909 Hose Assembly	10"	138.05
0882723	AK 994 Hose Assembly	2½" - 6"	122.15
0882724	AK 994 Hose Assembly	8" - 10"	133.25
0882725	AK 995 Hose Assembly	3" - 6"	128.50
0298120	½ x ½ CFC-S-CF x 20	2½" - 4" 957, 957RPDA	7.50
0298121	½ x ½ CFC-S-CF x 24	2½" - 3" 957/957RPDA N & Z	8.30
0298122	½ x ½ CFC-S-CF x 30	6" 957, 4" 957N; 2½", 3", 4" 957Z; 6", 8" 957RPDA; 4", 6", 8" 957RPDA N & Z; 2½", 3", 4" 957RPDA BFG; 2½", 3", 4", 6" 957RPDA BFG N & Z	8.85
0298123	½ x ½ CFC-S-CF x 36	8" & 10" 957; 6", 8", 10" 957 N & Z; 10" 957RPDA N & Z; 6" & 8" 957RPDA BFG N & Z	10.40

ORDERING CODE	KIT NO.	LIST PRICE
TK9A - Test Kit Replacement Parts		
0833389	SATK9Y37 Needle Valve	78.40
0834046	TK9Z160-1 Gauge Only	666.55

To order repair part for gauge or to get information on TK9A and TK99E contact: Orange Research Inc. 140 Cascade Blvd. Milford, CT 06460 (203) 877-5657.

ORDERING CODE	KIT NO.	HEIGHT ADJ.	LIST PRICE
Lube			
0886020	RK009 Lube	Six Pack	30.50

Important: The use of other lubricant types may cause swelling or accelerated deterioration of the rubber parts.

Note: RK009 Lube should be used when repairing Series 909.

ORDERING CODE	KIT NO.	HEIGHT ADJ.	LIST PRICE
Valve Stands			
0777229	RD W STD 10 - 14	10" - 14"	570.90
0777230	RD W STD 12 - 18	12" - 18"	570.90
0777231	RD W STD 16 - 24	16" - 24"	570.90
0777232	RD W STD 24 - 38	24" - 38"	605.50

Replacement parts are not subject to Repair Kit Discount

Series 900, 009 and 909

Union Nuts, Tailpieces and Gaskets

ORDERING CODE	VALVE SERIES	SIZE	PART NO.	DESCRIPTION	LIST PRICE
1140012	900	¾", 1", 1¼"	5D140	Union Nut	\$22.05
1140014	900, 009, 009M1	1½", 2"	5F140	Union Nut	30.35
1140015	909, 009	¾", 1"	35C140	Union Nut	11.35
0833990	900	¾"	900B139	Union Tailpiece	15.60
0834000	900	1"	900C139	Union Tailpiece	19.75
1139017	900	1¼"	5D139	Union Tailpiece	26.40
1139026	009, 009M1	1¼"	99DA139	Union Tailpiece	28.25
0834010	900, 009, 009M1	1½"	900E139	Union Tailpiece	28.25
1139019	900, 009, 009M1	2"	5F139	Union Tailpiece	56.20
0835253	909, 009	¾"	909B139	Union Tailpiece	26.40
0835254	909, 009	1"	909C139	Union Tailpiece	26.30
0833915	900	¾", 1", 1¼"	900C103-1	Gasket	2.55
0833935	900	1½", 2"	900E103-1	Gasket	2.55
1203003	909, 009	¾", 1"	35C103	Gasket	2.55
1203007	909, 009	1¼", 1½", 2"	5F103	Gasket	4.15
0835013	909	1¼"	909D2	Flanged End Adapter	43.90
0835014	909	1½"	909E2	Flanged End Adapter	45.15
0835015	909	2"	909F2	Flanged End Adapter	47.55
0835247	909	All Sizes	909E101	O-ring for FAE	3.40
1101115	009M1	1¼", 1½", 2"	6010FA/101-EP	Union O-ring	1.20



Union Nut



Union Tailpiece



Union Gasket



Flanged End Adapter

Series 009 and 007 Retainers

Retainers are not subject to Repair Kit Discount

ORDERING CODE	KIT NO.	SIZE	LIST PRICE
Retainers (009)			
1047053	99AB47	¼" - ½"	1.25
1047394	99BA47	¾", M2/M3	1.85
1047114	99CA47-P	1" M2	2.55
1047001	99FA47	1¼" - 2"	19.00
1047001	99FA47	1¼" - 2", M1-2" M2	19.00
1047401	99EA47	1¼" - 1½" M2	5.75
Retainers (007)			
1047053	99AB47	007	1.25
1047382	DC7CA47	M1 007	1.70
1047394	99BA47	M2/M3 007	1.85
1047001	99FA47	007	19.00
1047112	DC7FA47	M1 007	8.20
1047099	DC7EA47-P	M2 007	3.85

Meters and Detector By-Pass Lines

Water Meter



ROM
Outside Reader

Replacement Badger Meters – CFM and GPM

When ordering specify Ordering Code, Kit No., and Valve Size.

ORDERING CODE	KIT NO.	SIZE	LIST PRICE
1203010	D709BB203 CFM-B	2½" – 10"	\$178.55
0899022	ROM DC/RP CFM-B	2½" – 10"	487.60

Badger Remote Outside Meter – CFM and GPM

When ordering specify Ordering Code, Kit No., and Valve Size.

ORDERING CODE	KIT NO.	SIZE	LIST PRICE
0835561	D709BA203 GPM-B	2½" – 10"	\$178.55
0899023	ROM DC/RP GPM-B	2½" – 10"	487.60

ROM includes 10' wire

Detector By-Pass Lines – CFM

When ordering specify Ordering Code, Kit No., and Valve Size.

ORDERING CODE	KIT NO.	SIZE	LIST PRICE
SS07F			
0882700	SS07F-BP CFM	4"	\$329.80
0882702	SS07F-BP CFM	6"	375.15
0882704	SS07F-BP CFM	8"	442.65
0882706	SS07F-BP CFM	10"	491.65
709DCDA			
1203014	SAD709BC203 CFM	3"	753.95
1203013	SAD709BC203 CFM	4"	761.85
1203011	SAD709BA203 CFM	6"	809.00
1203012	SAD709BA203 CFM	8"	825.30
0835606	SAD709BA203 CFM	10"	857.05
007DCDA			
1203045	SADC7A203 CFM	2"	812.25
1203035	SADC7HA203 CFM	2½" – 3"	594.25
774DCDA			
0889005	SAD 774 CFM	4"	786.15
0889007	SAD 774 CFM	6"	818.95
0889009	SAD 774 CFM	8"	851.75
0889011	SAD 774 CFM	10"	884.45
0889013	SAD 774X CFM	6"	818.95
0889015	SAD 774X CFM	8"	851.75
775DCDA			
0889024	SAD 775 CFM	3" – 4"	786.15
0889026	SAD 775 CFM	6" – 8"	851.75
909RPDA			
1203111	SAD909BC203 CFM	2½" – 3"	930.40
1203112	SAD909BC203 CFM	4"	938.40
1203103	SAD909BA203 CFM	6"	970.80
1203104	SAD909BA203 CFM	8"	984.10
1203105	SAD909BA203 CFM	10"	1035.55
994RPDA			
0889020	SAD 994 CFM	2½" – 4"	895.50
0889022	SAD 994 CFM	6"	926.40
995RPDA			
0889030	SAD 995 CFM	3" – 4"	895.50
0889032	SAD 995 CFM	6"	926.40

Detector By-Pass Lines – GPM

When ordering specify Ordering Code, Kit No., and Valve Size.

ORDERING CODE	KIT NO.	SIZE	LIST PRICE
SS07F			
0882701	SS07F-BP GPM	4"	\$329.80
0882703	SS07F-BP GPM	6"	375.15
0882705	SS07F-BP GPM	8"	442.65
0882707	SS07F-BP GPM	10"	491.65
709DCDA			
0835560	SAD709BC203 GPM	3"	753.95
0835575	SAD709BC203 GPM	4"	761.85
1203009	SAD709BA203 GPM	6"	809.00
0835571	SAD709BA203 GPM	8"	825.30
0835579	SAD709BA203 GPM	10"	857.05
007DCDA			
1203044	SADC7A203 GPM	2"	812.25
1203034	SADC7HA203 GPM	2½" – 3"	594.25
774DCDA			
0889006	SAD 774 GPM	4"	786.15
0889008	SAD 774 GPM	6"	818.95
0889010	SAD 774 GPM	8"	851.75
0889012	SAD 774 GPM	10"	884.45
0889014	SAD 774X GPM	6"	818.95
0889016	SAD 774X GPM	8"	851.75
775DCDA			
0889025	SAD 775 GPM	3" – 4"	786.15
0889027	SAD 775 GPM	6" – 8"	851.75
909RPDA			
1203109	SAD909BC203 GPM	2½" – 3"	930.40
1203110	SAD909BC203 GPM	4"	938.40
1203106	SAD909BB203 GPM	6"	970.80
1203107	SAD909BB203 GPM	8"	984.10
1203102	SAD909BA203 GPM	10"	1035.55
994RPDA			
0889021	SAD 994 GPM	2½" – 4"	895.50
0889023	SAD 994 GPM	6"	926.40
995RPDA			
0889031	SAD 995 GPM	3" – 4"	895.50
0889033	SAD 995 GPM	6"	926.40

Detector By-Pass Lines cont.

When ordering specify Ordering Code, Kit No., and Valve Size.

ORDERING CODE (LM)	MODEL	SIZE	LIST PRICE
--------------------	-------	------	------------

757DCDA Detector By-Pass Lines – Less Meter

0111974	SAD 757/757(a) OSY LM	2 1/2" – 4"	\$444.10
0111975	SAD 757/757(a) OSY LM	6"	526.15
0111976	SAD 757 OSY LM	8"	1067.65
0111977	SAD 757 OSY LM	10"	1067.65

0111982	SAD 757/757(a) BFG LM	2 1/2" – 4"	444.10
0111983	SAD 757/757(a) BFG LM	6"	526.15

957RPDA Detector By-Pass Lines – Less Meter

0112026	SAD 957 OSY LM	2 1/2" – 4"	821.55
0112027	SAD 957 OSY LM	6"	"865.30
0112028	SAD 957 OSY LM	8"	"923.80
0112029	SAD 957 OSY LM	10"	"952.35

ORDERING CODE		MODEL	SIZE	LIST PRICE
CFM	GPM			

757DCDA Detector By-Pass Lines – CFM, GPM

0111950	0111954	SAD 757/757(a) OSY CFM/GPM	2 1/2" – 4"	\$492.35
0111951	0111955	SAD 757/757(a) OSY CFM/GPM	6"	574.35
0111952	0111956	SAD 757 OSY CFM/GPM	8"	1115.95
0111953	0111957	SAD 757 OSY CFM/GPM	10"	1115.95
0111958	0111962	SAD 757N/757N(a) OSY CFM/GPM	2 1/2" – 4"	492.35
0111959	0111963	SAD 757N/757N(a) OSY CFM/GPM	6"	844.90
0111960	0111964	SAD 757N OSY CFM/GPM	8"	844.90
0111961	0111965	SAD 757N OSY CFM/GPM	10"	844.90
0111966	0111968	SAD 757/757(a) BFG CFM/GPM	2 1/2" – 4"	492.35
0111967	0111969	SAD 757/757(a) BFG CFM/GPM	6"	574.35
0111970	0111972	SAD 757N/757N(a) BFG CFM/GPM	2 1/2" – 4"	492.35
0111971	0111973	SAD 757N/757N(a) BFG CFM/GPM	6"	844.90

957RPDA Detector By-Pass Lines – CFM, GPM

0111986	0111990	SAD 957 OSY CFM/GPM	2 1/2" – 4"	869.75
0111987	0111991	SAD 957 OSY CFM/GPM	6"	913.60
0111988	0111992	SAD 957 OSY CFM/GPM	8"	971.95
0111989	0111993	SAD 957 OSY CFM/GPM	10"	1000.55
0111994	0111998	SAD 957N OSY CFM/GPM	2 1/2" – 4"	492.35
0111995	0111999	SAD 957N OSY CFM/GPM	6"	844.90
0111996	0112000	SAD 957N OSY CFM/GPM	8"	844.90
0111997	0112001	SAD 957N OSY CFM/GPM	10"	844.90
0112002	0112006	SAD 957Z OSY CFM/GPM	2 1/2" – 4"	492.35
0112003	0112007	SAD 957Z OSY CFM/GPM	6"	844.90
0112004	0112008	SAD 957Z OSY CFM/GPM	8"	844.90
0112005	0112009	SAD 957Z OSY CFM/GPM	10"	844.90
0112010	0112014	SAD 957N BFG CFM/GPM	2 1/2" – 4"	492.35
0112011	0112015	SAD 957N BFG CFM/GPM	6"	844.90
0112012	0112016	SAD 957N BFG CFM/GPM	8"	844.90
0112013	0112017	SAD 957N BFG CFM/GPM	10"	844.90
0112018	0112022	SAD 957Z BFG CFM/GPM	2 1/2" – 4"	492.35
0112019	0112023	SAD 957Z BFG CFM/GPM	6"	844.90
0112020	0112024	SAD 957Z BFG CFM/GPM	8"	844.90
0112021	0112025	SAD 957Z BFG CFM/GPM	10"	844.90

Replacement Shutoff Valves

When ordering specify Ordering Code, Kit No., and Valve Size.

ORDERING CODE	KIT NO.	SIZE	LIST PRICE
Shutoff Valves			
0701208	NRS-RW GATE	2½"	\$399.95
0701209	NRS-RW GATE	3"	423.25
0701210	NRS-RW GATE	4"	540.85
0701211	NRS-RW GATE	6"	858.30
0701212	NRS-RW GATE	8"	1363.85
0701213	NRS-RW GATE	10"	1903.85
0701196	NRS-RW GATE-TC	2½"	435.25
0701198	NRS-RW GATE-TC	3"	460.85
0701201	NRS-RW GATE-TC	4"	588.75
0701203	NRS-RW GATE-TC	6"	934.25
0701205	NRS-RW GATE-TC	8"	1484.70
0701207	NRS-RW GATE-TC	10"	2175.85
0701214	OSY-RW GATE	2½"	520.20
0701215	OSY-RW GATE	3"	572.45
0701216	OSY-RW GATE	4"	694.35
0701217	OSY-RW GATE	6"	1106.25
0701218	OSY-RW GATE	8"	1871.10
0701219	OSY-RW GATE	10"	2965.40
0701116	OSY-RW GATE-TC	2½"	511.95
0701126	OSY-RW GATE-TC	3"	563.20
0701136	OSY-RW GATE-TC	4"	755.25
0701146	OSY-RW GATE-TC	6"	1203.20
0701156	OSY-RW GATE-TC	8"	2034.95
0701166	OSY-RW GATE-TC	10"	3225.25
0701350	406NRS FLG x GRV	2½"	399.95
0701351	406NRS FLG x GRV	3"	423.25
0701352	406NRS FLG x GRV	4"	540.85
0701353	406NRS FLG x GRV	6"	858.30
0701354	406NRS FLG x GRV	8"	1363.85
0701355	406NRS FLG x GRV	10"	1903.85

ORDERING CODE	KIT NO.	SIZE	LIST PRICE
Shutoff Valves			
0702350	408OSY FLG x GRV	2½"	520.20
0702351	408OSY FLG x GRV	3"	572.45
0702352	408OSY FLG x GRV	4"	694.35
0702353	408OSY FLG x GRV	6"	1106.25
0702354	408OSY FLG x GRV	8"	1871.10
0702355	408OSY FLG x GRV	10"	2965.40
0702360	BFG	2½"	514.35
0702361	BFG	3"	565.90
0702362	BFG	4"	685.85
0702363	BFG	6"	1093.20
0702364	BFG	8"	1848.70
0547050	FBV-TH	¼" x ½"	19.65
0547051	FBV-TH	⅜" x ½"	19.65
0547052	FBV-TH	½"	20.45
0547053	FBV-TH	¾"	32.90
0547054	FBV-TH	1"	51.65
0547055	FBV-TC-TH	¼" x ½"	23.70
0547056	FBV-TC-TH	⅜" x ½"	23.70
0546748	FBV-TC-TH	½"	23.00
0546720	FBV-TC-TH	¾"	35.70
0546725	FBV-TC-TH	1"	55.80
0546760	FBV	1¼"	76.90
0546765	FBV	1½"	98.35
0546770	FBV	2"	172.10
0546730	FBV-TC	1¼"	82.60
0546735	FBV-TC	1½"	105.90
0546740	FBV-TC	2"	185.00

Gate Valve Packs

Ordering Code	Kit No.	Size	List Price
0702410	OSY/PIV Gate Valve Pack	3"	1348.05
0702411	OSY/PIV Gate Valve Pack	4"	1425.65
0702412	OSY/PIV Gate Valve Pack	6"	2063.70
0702413	OSY/PIV Gate Valve Pack	8"	4606.00
0702414	OSY/PIV Gate Valve Pack	10"	7359.95

Pack includes: 1 OSY Flg x Flg gate valve, 1 PIV gate valve, 1 test cock & nipple, 2 flanges & gasket and bolts

6

Accessory / Auxiliary Equipment

Replacement Handle Kits

When ordering specify Ordering Code, Kit No., and Valve Size.

ORDERING CODE	KIT NO.	SIZE	LIST PRICE
Handle Kits			
0889594	405-RW-HK (NRS)	2½"	\$36.45
0889595	405-RW-HK (NRS)	3"	36.45
0889596	405-RW-HK (NRS)	4"	65.25
0889597	405-RW-HK (NRS)	6"	101.45
0889598	405-RW-HK (NRS)	8"	130.30
0889599	405-RW-HK (NRS)	10"	183.25
0889618	NRS-RW-HK (DOMESTIC NRS)	2½"	73.50
0889619	NRS-RW-HK (DOMESTIC NRS)	3"	121.35
0889620	NRS-RW-HK (DOMESTIC NRS)	4"	163.10
0889621	NRS-RW-HK (DOMESTIC NRS)	6"	174.35
0889622	NRS-RW-HK (DOMESTIC NRS)	8"	275.70
0889623	NRS-RW-HK (DOMESTIC NRS)	10"	349.00
0701250	408-RW-HK-F (OSY)	2"	108.60
0889640	408-RW-HK-F (OSY)	2½"	117.10
0889641	408-RW-HK-F (OSY)	3"	182.35
0889642	408-RW-HK-F (OSY)	4"	210.30
0889643	408-RW-HK-F (OSY)	6"	286.50
0889644	408-RW-HK-F (OSY)	8"	342.30
0889645	408-RW-HK-F (OSY)	10"	490.00
0889612	408-RW-HK (DOMESTIC OSY)	2½"	117.10
0889613	408-RW-HK (DOMESTIC OSY)	3"	182.35
0889614	408-RW-HK (DOMESTIC OSY)	4"	210.30
0889615	408-RW-HK (DOMESTIC OSY)	6"	286.50
0889616	408-RW-HK (DOMESTIC OSY)	8"	342.30
0889617	408-RW-HK (DOMESTIC OSY)	10"	490.00

Ball Valve Handle Kits

"E" = inlet ball valve, "F" = Fortune ball valve, "T" = Tahoe ball valve

0881700	HK FBV TH F	¼" – ¾"	\$6.80
0881122	HK FBV TH F	1"	6.80
0881123	HK FBV F	1¼"	14.25
0881124	HK FBV F	1½"	14.25
0881125	HK FBV F	2"	14.25
0881160	HK FBV E F	1¼"	14.25
0881161	HK FBV E F	1½"	14.25
0881162	HK FBV E F	2"	14.25
0881519	HK FBV TH T	½"	6.80
0881520	HK FBV TH T	¾"	6.80
0881521	HK FBV TH T	1"	6.80

When ordering specify Ordering Code, Kit No., and Valve Size.

ORDERING CODE	KIT NO.	SIZE	LIST PRICE
for SS007/SS009 — Stainless Steel Handle			
0881702	HK FBV SS TH F	¼" – ¾"	\$8.35
0881128	HK FBV SS TH F	1"	8.35
0881129	HK FBV SS F	1¼"	17.85
0881130	HK FBV SS F	1½"	17.85
0881131	HK FBV SS F	2"	17.85
0881711	HK FBV SS E F	1¼"	17.85
0881712	HK FBV SS E F	1½"	17.85
0881713	HK FBV SS E F	2"	17.85

Stainless Steel Handle

0881715	HK SFBV SS TH F	¼" – ¾"	8.35
0881701	HK SFBV SS TH F	½" – ¾"	8.35
0881134	HK SFBV SS TH F	1"	8.35

Locking Handle

0881703	HK FBV LH TH F	¼" – ¾"	7.15
0881704	HK FBV LH TH F	1"	7.15
0881705	HK FBV LH F	1¼"	12.70
0881707	HK FBV LH F	1½"	12.70
0881709	HK FBV LH F	2"	12.70
0881706	HK FBV LH E F	1¼"	12.70
0881708	HK FBV LH E F	1½"	12.70
0881710	HK FBV LH E F	2"	12.70

For Technical Assistance Call Your Authorized Watts Agent.

			Telephone #	Fax #
	HEADQUARTERS: Watts Regulator Company	815 Chestnut St., North Andover, MA 01845-6098 U.S.A.	978 688-1811	978 794-1848
North East	Edwards, Platt & Deely, Inc.	271 Royal Ave., Hawthorne, NJ 07506	973 427-2898	973 427-4246
	Edwards, Platt & Deely, Inc.	368 Wyandanch Ave., North Babylon, NY 11703	631 253-0600	631 253-0303
	W. P. Haney Co., Inc.	51 Norfolk Ave., South Easton, MA 02375	508 238-2030	508 238-8353
Mid Atlantic	J. B. O'Connor Company, Inc.	P.O. Box 12927, Pittsburgh, PA 15241	724 745-5300	724 745-7420
	RMI	Glenfield Bus. Ctr., 2535 Mechanicsville Tpk., Richmond, VA 23223	804 643-7355	804 643-7380
	The Joyce Agency, Inc.	8442 Alban Rd., Springfield, VA 22150	703 866-3111	703 866-2332
	Vernon Bitzer Associates, Inc.	980 Thomas Drive, Warminster, PA 18974	215 443-7500	215 443-7573
	WMS Sales, Inc. (Main office)	9580 County Rd., Clarence Center, NY 14032	716 741-9575	716 741-4810
South East	Billingsley & Associates, Inc.	2728 Crestview Ave., Kenner, LA 70062-4829	504 602-8100	504 602-8106
	Billingsley & Associates, Inc.	478 Cheyenne Lane, Madison, MS 39110	601 856-7565	601 856-8390
	Francisco J. Ortiz & Co., Inc.	Charlyn Industrial Pk., Road 190 KM1.9 - Lot #8, Carolina, Puerto Rico 00983	787 769-0085	787 750-5120
	Mid-America Marketing, Inc.	203 Industrial Drive, Birmingham, AL 35211	205 879-3469	205 870-5027
	Mid-America Marketing, Inc.	1364 Foster Avenue, Nashville, TN 37210	615 259-9944	615 259-5111
	Mid-America Marketing, Inc.	5466 Old Hwy. 78, Memphis, TN 38118	901 795-0045	901 795-0394
	Smith & Stevenson Co., Inc.	4935 Chastain Ave., Charlotte, NC 28217	704 525-3388	704 525-6749
	Harry Warren, Inc.	1400 North Orange Blossom Trail, Orlando, FL 32804	407 841-9237	407 841-9246
	Watts Georgia	2861-B Bankers Industrial Drive, Atlanta, GA 30360	770 209-3310	770 447-4583
North Central	Aspinall Associates, Inc.	6840 Hillsdale Court, Indianapolis, IN 46250	317 849-5757	317 845-7967
	Dave Watson Associates	1325 West Beecher, Adrian, MI 49221	517 263-8988	517 263-2328
	Disney McLane & Associates	428 McGregor Ave., Cincinnati, OH 45206	800 542-1682	877 476-1682
	BWA Company	17610 S. Waterloo Rd., Cleveland, OH 44119	216 486-1010	216 486-2860
	Mid-Continent Marketing Services Ltd.	1724 Armitage Ct., Addison, IL 60101	630 953-1211	630 953-1067
	Soderholm & Associates, Inc.	7150 143rd Ave. N.W., Anoka, MN 55303	763 427-9635	763 427-5665
	Stickler & Associates	333 North 121 St., Milwaukee, WI 53226	414 771-0400	414 771-3607
South Central	Hugh M. Cunningham, Inc.	13755 Benchmark, Dallas, TX 75234	972 888-3808	972 888-3838
	HMC Sandia Group	13755 Benchmark, Dallas, TX 75234	505 222-3134	800 339-0191
	Mack McClain & Associates	4407 Meramec Bottom, Suite G, St. Louis, MO 63129	314 894-8188	314 894-8388
	Mack McClain & Associates, Inc.	1450 NE 69th Place, Ste. 56 Ankeny, IA 50021	515 288-0184	515 288-5049
	Mack McClain & Associates, Inc.	15090 West 116th St., Olathe, KS 66062	913 339-6677	913 339-9518
	OK! Sales, Inc.	214-A NE 12th., Moore, OK 73160	405 794-5200	405 794-5250
Western	Delco Sales, Inc.	1930 Raymer Ave., Fullerton, CA 92833	714 888-2444	714 888-2448
	Delco Sales, Inc.	111 Sand Island Access Rd., Unit I-10, Honolulu, HI 96819	808 842-7900	808 842-9625
	Fanning & Associates, Inc.	6765 Franklin St., Denver, CO 80229-7111	303 289-4191	303 286-9069
	Hollabaugh Brothers & Associates	6915 South 194th St., Kent, WA 98032	253 867-5040	253 867-5055
	Hollabaugh Brothers & Associates	3028 S.E. 17th Ave., Portland, OR 97202	503 238-0313	503 235-2824
	P I R Sales, Inc.	3050 North San Marcos Place, Chandler, AZ 85225	480 892-6000	480 892-6096
	Preferred Sales	31177 Wiegman Road, Hayward, CA 94544	510 487-9755	510 476-1595
	R. E. Fitzpatrick Sales, Inc.	4109 West Nike Dr. (8250 South), West Jordan, UT 84088	801 282-0700	801 282-0600
Canada	Watts Industries (Canada) Inc. (Watts Regulator Co. Division)	5435 North Service Road, Burlington, Ontario L7L 5H7	905 332-4090	905 332-7068
	Con-Cur West Marketing, Inc.	71B Clipper Street, Coquitlam, British Columbia V3K 6X2	604 540-5088	604 540-5084
	D.C. Sales Ltd.	#10-6130 4th St. S.E., Calgary, Alberta T2H 2B6	403 253-6008	403 259-8331
	D.C. Sales Ltd.	16726 111 Ave, Edmonton, Alberta T5M 2S6	780 496-9495	780 496-9621
	GTA Sales Team.	Greater Toronto Area	888 208-8927	888 479-2887
	Hydro-Mechanical Sales, Ltd.	3700 Joseph Howe Drive, Suite 1, Halifax, Nova Scotia B3L 4H7	902 443-2274	902 443-2275
	Hydro-Mechanical Sales, Ltd.	P.O. Box 1445 (Mailing), 297 Collishaw St., Suite 7 (shipping) Moncton, New Brunswick E1C 9R2	506 859-1107	506 859-2424
	J.D.S. Sales Ltd.	4 Lancaster Street, St. John's, Newfoundland A1A 5P7	709 579-5771	709 579-1558
	Les Ent. Roland Lajoie	6221 Marivaux, St-Leonard, QC H1P 3H6	514 328-6645	514 328-6131
	Les Ent. Roland Lajoie	23 du Buisson, Pont Rouge, QC G3H 1X9	418 873-2500	418 873-2505
	Mar-Win Agencies, Ltd.	1333 Clifton St., Winnipeg, Manitoba R3E 2V1	204 775-8194	204 786-8016
	Northern Mechanical Sales	P.O. Box 280 (mailing) 163 Pine St. (shipping), Garson, Ontario P3L 1S6	705 693-2715	705 693-4394
	Palser Enterprises, Ltd.	P.O. Box 28136 (mailing), 1885 Blue Heron Dr., #4, London, Ontario N6H 5L9	519 471-9382	519 471-1049
RAM Mechanical Marketing Inc.	1401 St. John Street, Regina, Saskatchewan S4R 1S5	306 525-1986	306 525-0809	
RAM Mechanical Marketing Inc.	510 Ave M South, Saskatoon, Saskatchewan S7M 2K9	306 244-6622	306 244-0807	
Walmart Mechanical Sales	24 Gurdwara Rd., Nepean, Ontario K2E 8B5	613 225-9774	613 225-0673	
0703	EXPORT Hdqtrs.: Watts Regulator Co.	815 Chestnut St., North Andover, MA 01845-6098 U.S.A.	978 688-1811	978 794-1848



Water Safety & Flow Control Products

USA: 815 Chestnut St., No. Andover, MA 01845-6098; www.watts.com

Canada: 5435 North Service Rd., Burlington, ONT. L7L 5H7; www.wattscanada.ca

PL-RP-BPD 0701

© Watts Regulator Company, 2007