

Welcome to 7th OSM Hackfest



University of Patras, Greece
9-13 September 2019

Spyros Denazis
Electrical & Computer Engineering Department

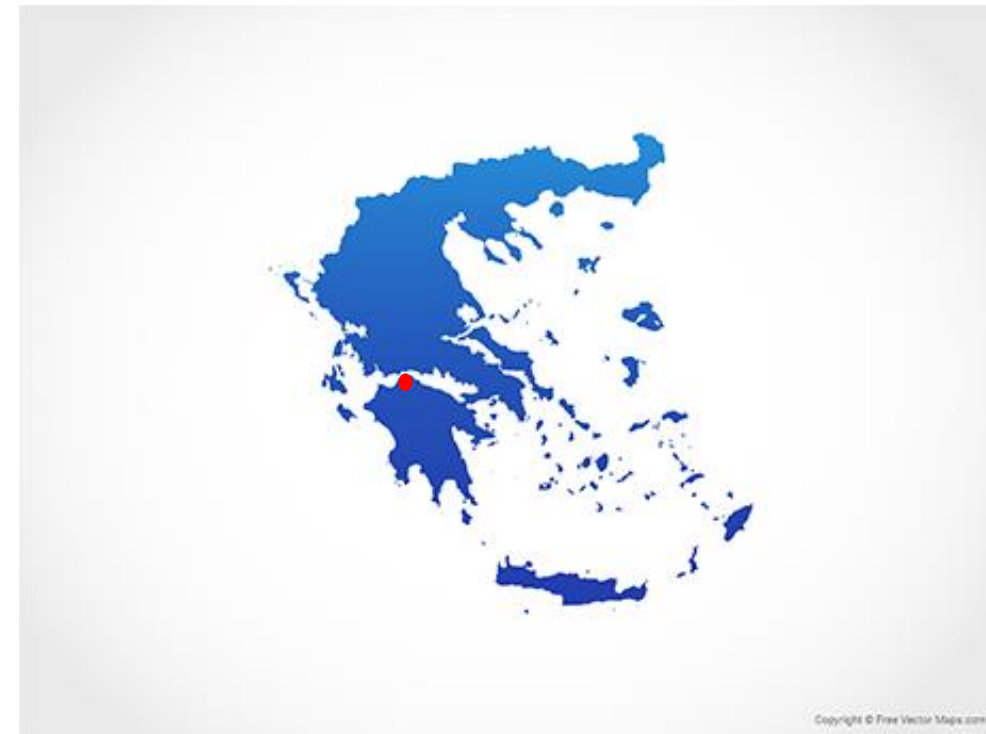


About the University & the Area



The University of Patras

- Founded in the city of Patras in 1964
- Currently is the 3rd largest University in Greece
- The University of Patras includes
 - 37 Departments, 161 laboratories and 17 fully equipped clinics.
 - >30.000 Undergraduate students,
 - >4000 Postgraduate students,
 - 715 Faculty members
 - 226 Scientific staff members
 - 454 Administrative staff members
 - >1600 Researchers
- School of Engineering
 - 7 Departments
 - Electrical & Computer Engineering the oldest department



Copyright © Free Vector Maps.com



The University Campus



The Region of Patras & the Ecosystem



Industry & Academia





Useful Info & Logistics

Public WiFi

- Name: Upatras Guest
- Username: guest
- Password: con91592019

- Also eduroam



Agenda

OSM-MR#7 & Hackfest Patras	MONDAY 9 Sept	TUESDAY 10 Sept	WEDNESDAY 11 Sept	THURSDAY 12 Sept	FRIDAY 13 Sept
09:00..10:30 (1h30)	LG	TECH S2 Basic Descriptors	TECH S6 Day 1/2 Config	S11 Robot Framework	TECH S10 How to Contribute Q&A & Wrap-up
10:30 ..11:00 (0h30)	COFFEE BREAK				
11:00..13:00 (2h00)	EUAG	TECH S3 Multi VDU S4 Advanced	TECH S6 Day 1/2 Config	TECH S8 Network Slicing	DEMO 3 - Canonical DEMO 4 - Tata Elxsi DEMO 5 - Whitestack
13:00..14:00 (1h00)	REGISTRATION	LUNCH BREAK			
14:00..16:00 (2h)	Welcome TSC S0 Intro DEMO 0	TECH S5 Day 0 Config	TECH OSM & 5G Verticals	TECH S7 Fault & Perf Mgmt	
16:00..16:30 (0h30)	COFFEE BREAK				
16:30..18:00 (1h30)	TSC & MDL S1 OSM Install	DEMO 1 - DPB WIM DEMO 2 - VNF Onboarding	TECH OSM & 5G Verticals	TECH Overflow and Q&A	

Rooms + Coffee + Lunch Breaks

- | Sessions | Room | Group |
|--------------------|------|-----------------|
| OSM Hackfest | I-10 | All |
| OSM & 5G Verticals | I-10 | All |
| OSM-MR7 (TECH) | I-12 | OSM All |
| TSC / TSC&MDL | | OSM TSC/TSC&MDL |
| LG | | OSM LG |
| EUAG | | OSM EUAG |

- Coffee breaks take place just outside rooms I-10 & I-12
- Lunch breaks 1st Floor at the Foyer

Transportation (From Patras to the University)

- <https://www.upatras.gr/en/node/4395>
- By suburban railway
 - The Central Railway Station (OSE) is located in the city center.
 - From the Central Railway Station there is the Suburban Railway (Proastiakos) that runs every one hour
 - The ticket cost is 1.40 Euros/ trip and 1 euro/ trip for students.
 - The suburban train (Proastiakos) runs every 1 hour between 06.30 – 22.30
 - Take the train from Patras (central) and get off at **Kastelokampos**
 - The return route Kastelokampos - Patras is also every 1 hour between 07.00 – 23.00.
 - IMPORTANT! From Kastelokampos Railway Station, a bus takes the passengers to the University and vice versa.
- By taxi
 - There are about one thousand taxis available in the city of Patras. Many taxis work on a 24-hour basis. You can hire a taxi at a taxi stand. Taxis can also be requested by telephone using one of the following numbers 1300, 2610 346700, 2610 450000
 - Costs about €10 from city centre

OSM Hackfest Social Event



Wednesday 11/9
at 20:00

Address
Patras Port
Iroon Politechniou
(Above Duty Free)



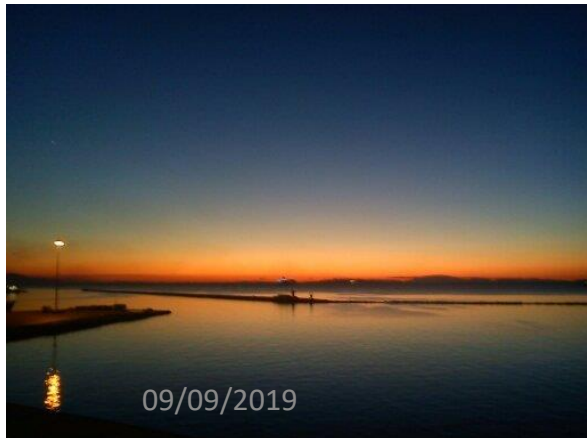
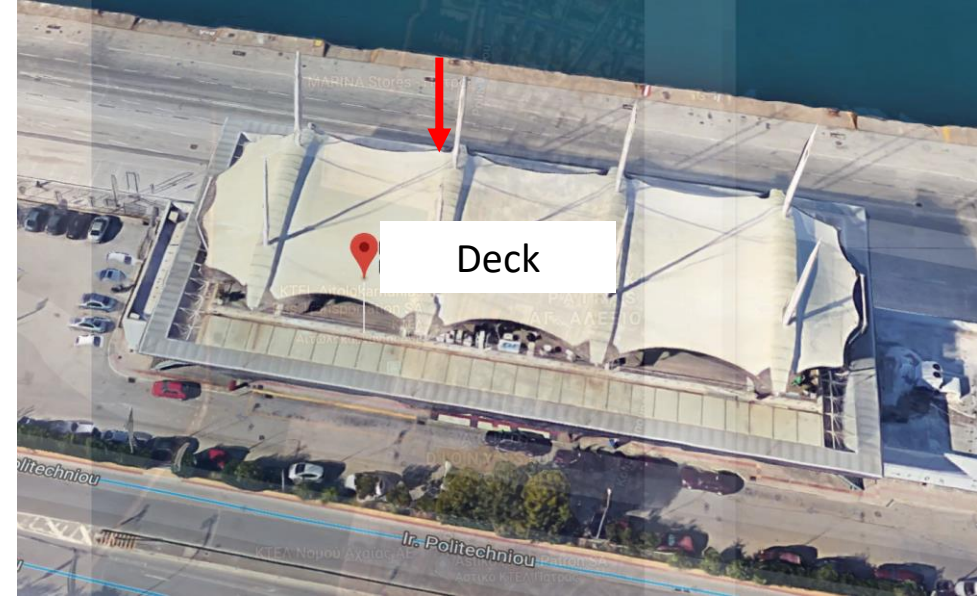


OSM Hackfest Social Event



Wednesday 11/9
at 20:00

Address
Patras Port
Iroon Politechniou
(Above Duty Free)



Sponsors

- uni.systems
-  5GINFIRE
-  5G-VINNI
-  SOLUTIONS
-  5G VICTORI

Contacts

- Spyros Denazis
- (30) 6944658336



Welcome & Enjoy your stay!



Patras OPEN 5G Infrastructure

5G-VINNI Facility Sites

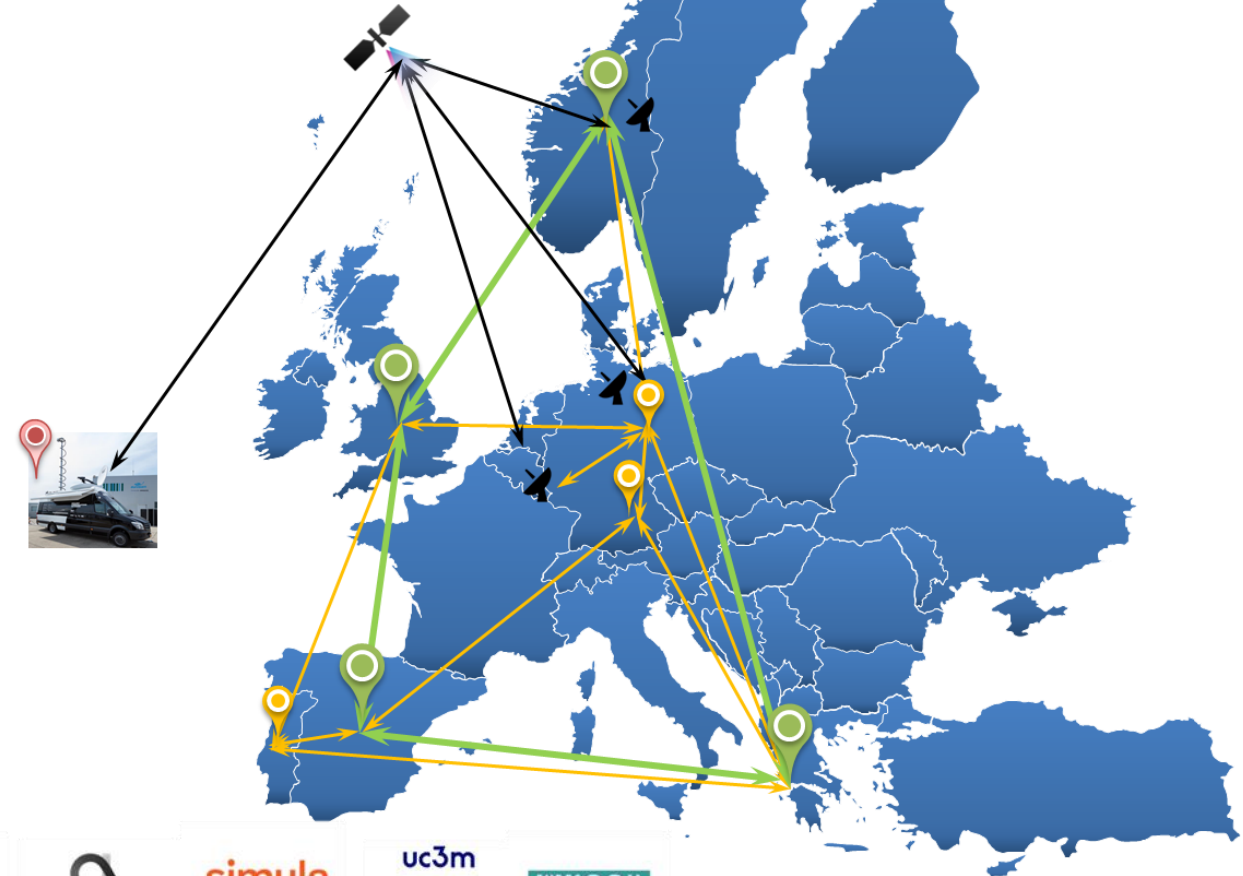
Main Facility sites: E2E 5G-VINNI facility that offers services to ICT-18-19-22 projects with well-defined Service Level Agreements.

- Norway (Oslo, Kongsberg)
- UK (Martlesham)
- Spain (Madrid)
- Greece (Patras)

Experimentation Facility sites: provide environments for advanced focused experimentation and testing possibilities on elements and combinations of elements of the E2E model.

- Portugal (Aveiro)
- Germany (Berlin)
- Germany (Munich)

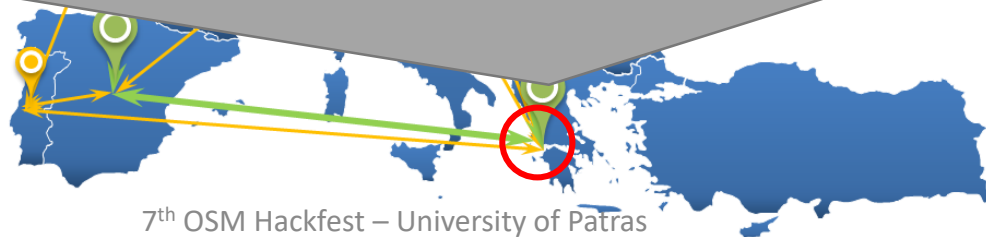
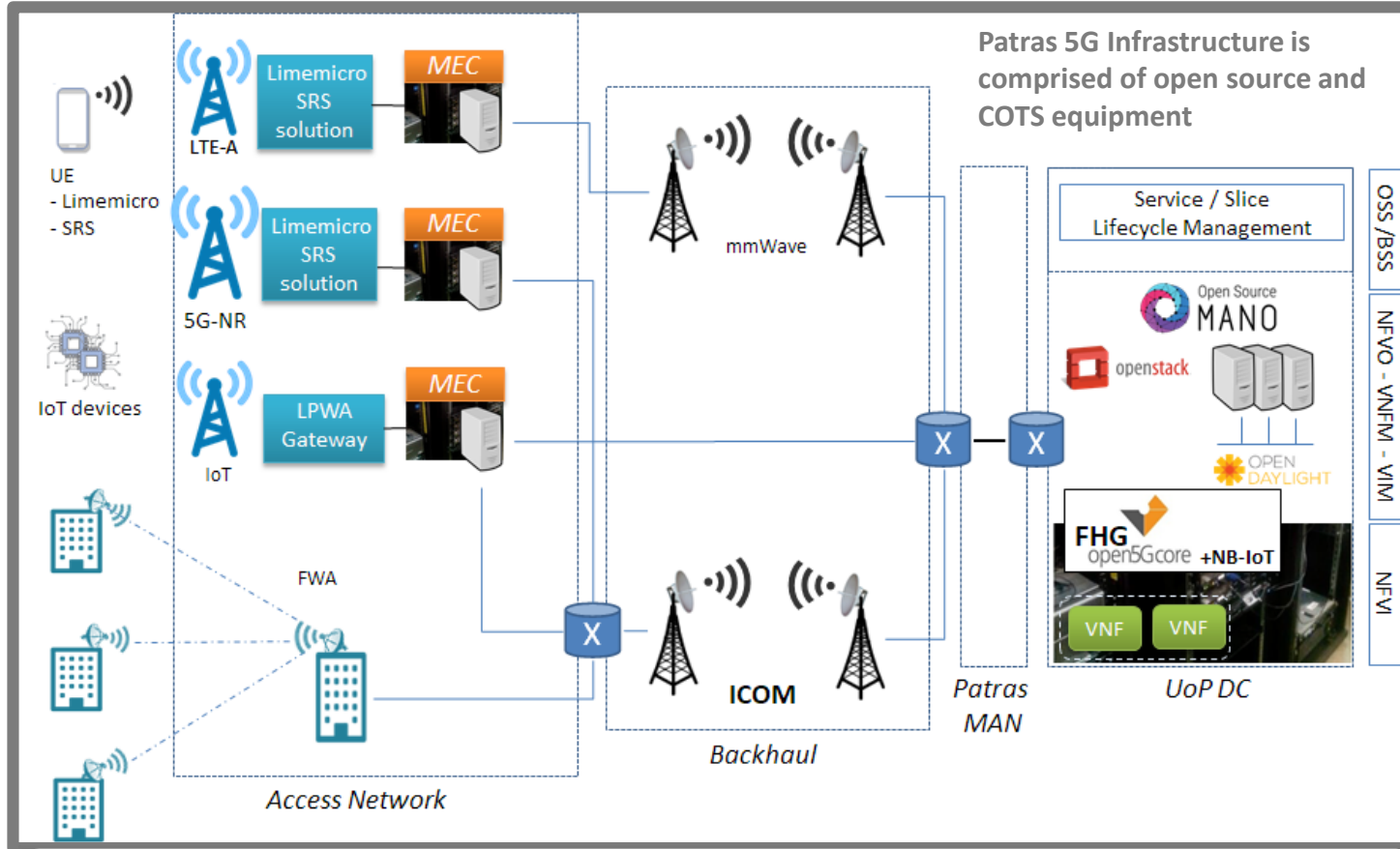
Moving Experimentation Facility site: satellite connected vehicle.



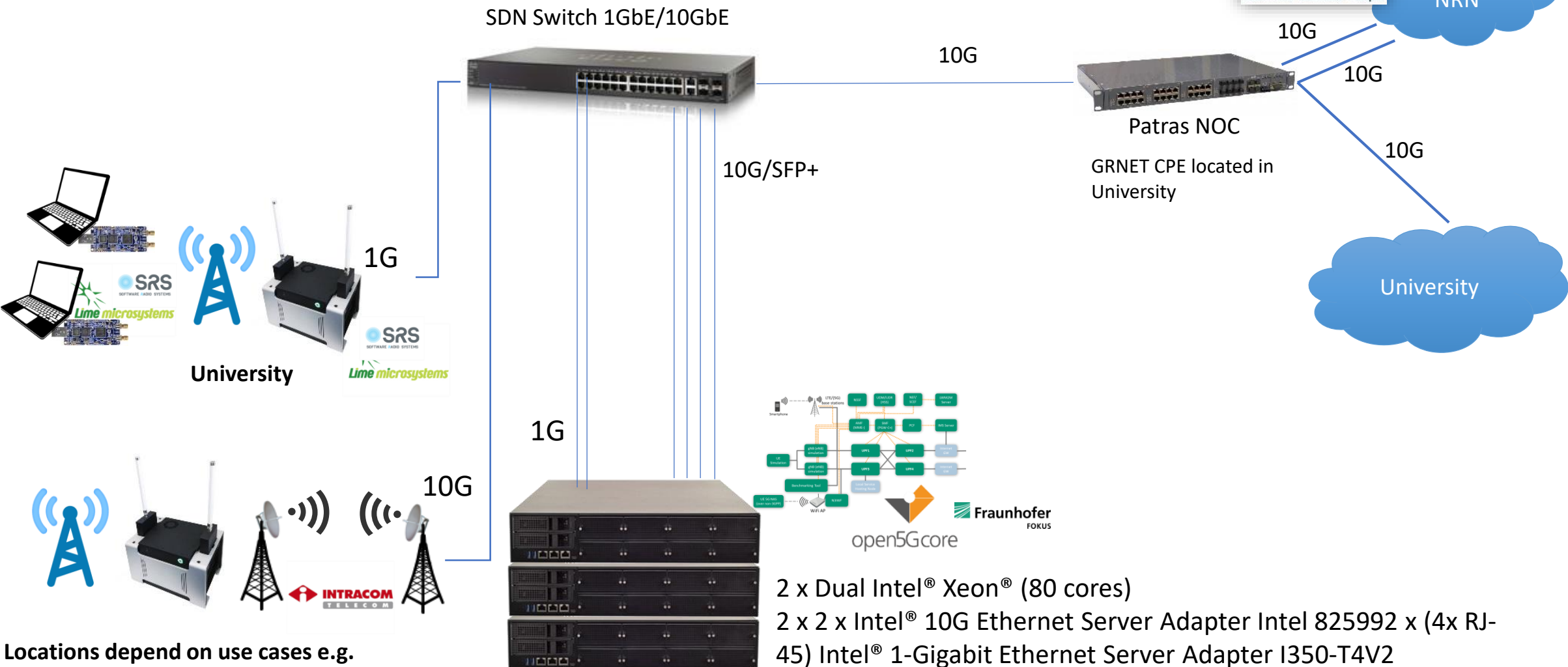


5G-VINNI Patras/Greece Main Facility Site

<https://www.5g-vinni.eu/greece-main-facility-site/>



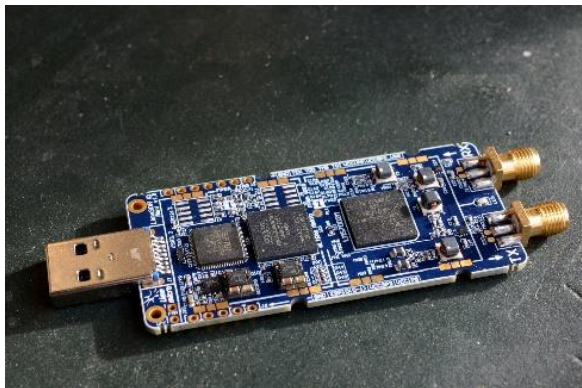
5G-VINNI Patras/Greece Main Facility Site: NFVI



Locations depend on use cases e.g.
 - City center
 - Train Stations

2 x Dual Intel® Xeon® (80 cores)
 2 x 2 x Intel® 10G Ethernet Server Adapter Intel 825992 x (4x RJ-45)
 Intel® 1-Gigabit Ethernet Server Adapter I350-T4V2
 512GB RAM
 DPDK, SR-IOV, EPA

5G-VINNI Patras/Greece Main Facility Site: NFVI (RAN)



LimeSDR, LimeSDR Mini
UE on Laptops



LimeNET Mini
For Indoor Base Station test
as “crowdcell”
and as UE



LimeNET Base Station
Deployed outdoor



Outdoors Antenna

Currently we are looking at other 5G equipment (gNodeB) to be installed e.g. NOKIA, HUAWEI.



5G-VINNI Patras/Greece Main Facility Site: NFVI (Transport network)



FWA and Backhaul Networks at Patras Facility Site

Location #1: University of Patras, Electrical and Engineering Department Building

Location #2: City of Patras, Prefecture of Patras

Location #3: To be defined

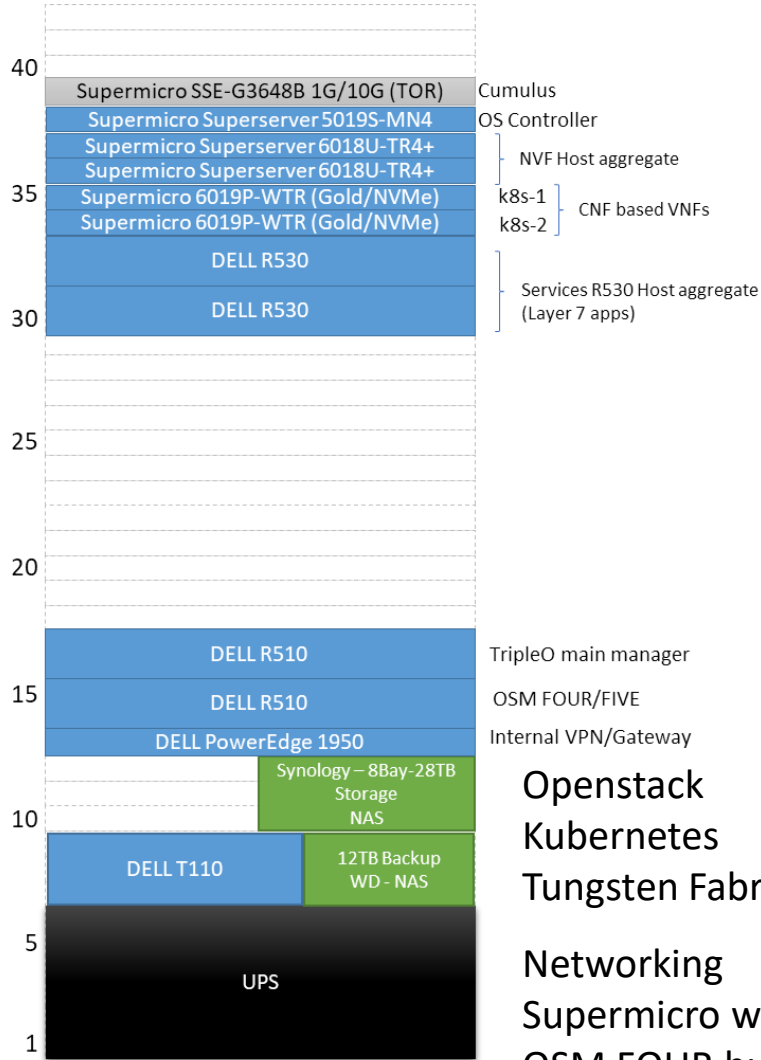
Equipment to be used Ultra-link GX80 from Intracom

http://www.intracom-telecom.com/en/products/wireless_network_systems/4G5G_backhaul_fronthaul/ultralinkGX80.htm

Illustration from Radio Planning for FWA Network at Patras Facility Site (access to a hospital, school, City Directorate-General for Development Planning, and a park to perform some of the use cases)

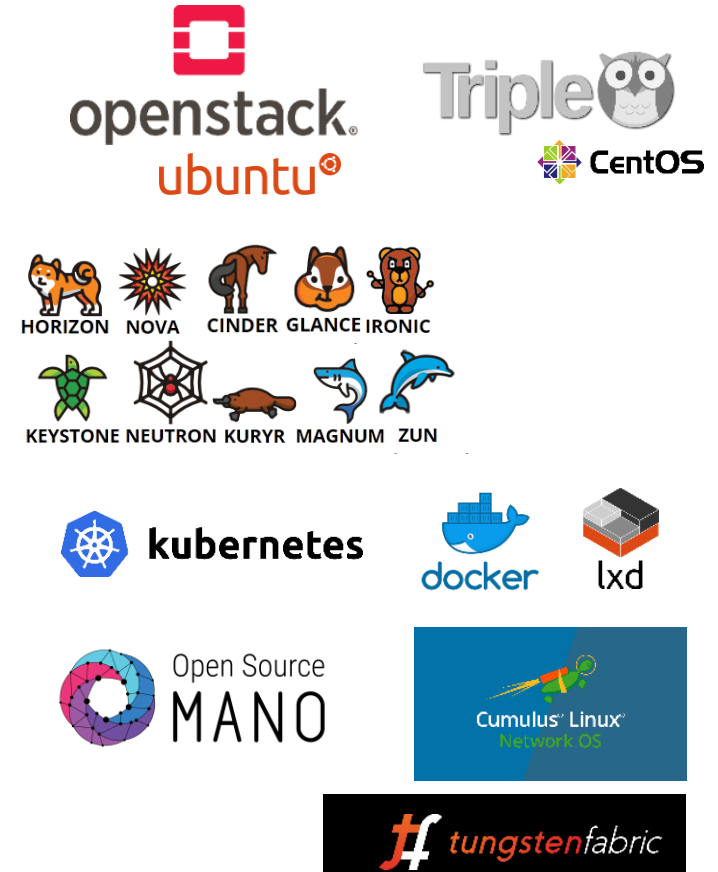


5G-VINNI Patras/Greece Main Facility Site: NFVI (Cloud)

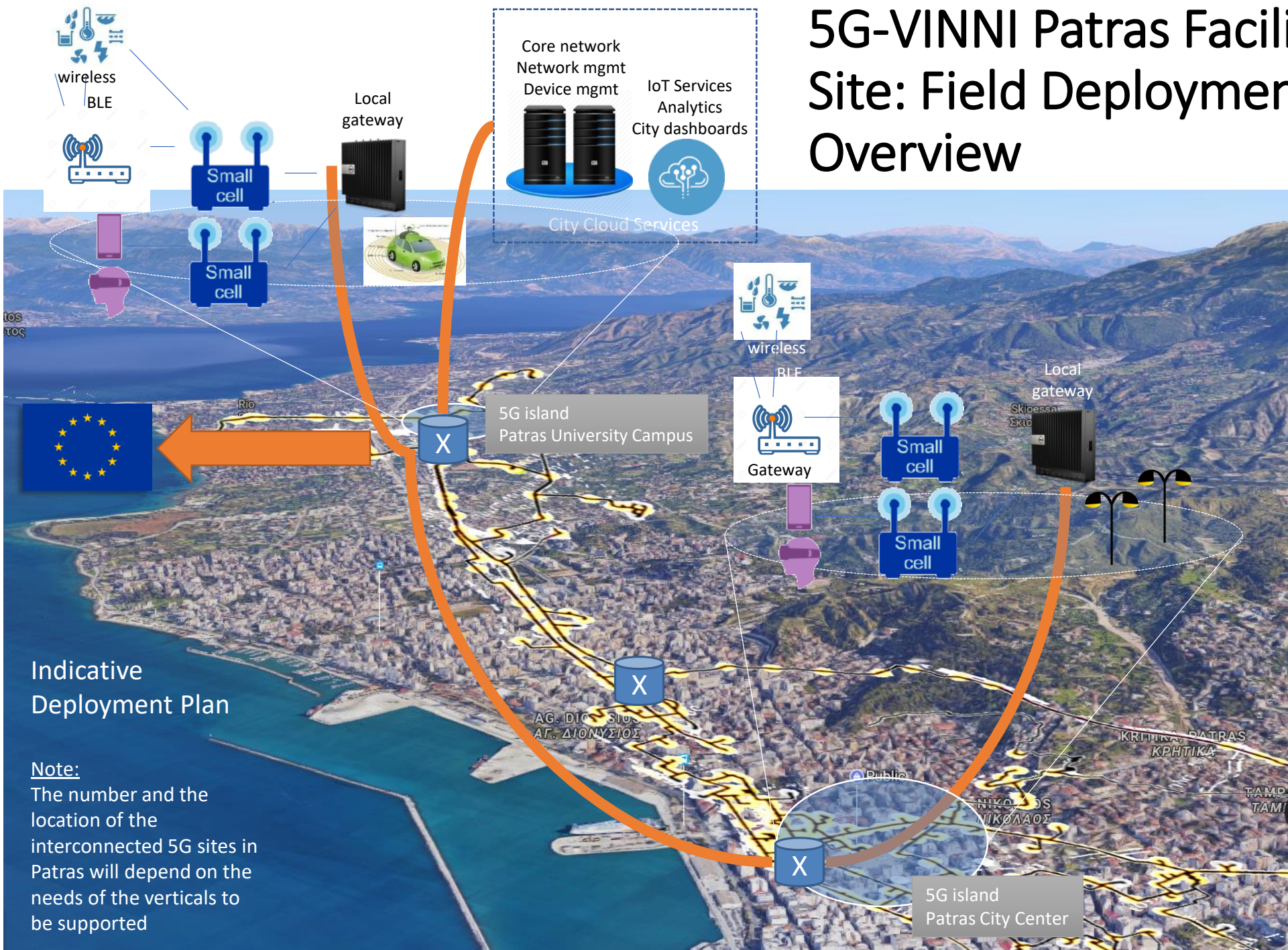


Rancher
K8s 2nd cluster in VMs
Other services + some future ICT-19 services/apps

This cloud facility can be used to (co)host third parties software and hardware and provide access to the 5G facility for testing and experimentation.



5G-VINNI Patras Facility Site: Field Deployment Overview



Indicative Deployment Plan

Note:

The number and the location of the interconnected 5G sites in Patras will depend on the needs of the verticals to be supported

Related EU Projects & Our Role

- **5GinFIRE – NFV based experimentation**

- <https://5ginfire.eu/>
- Our role in the project
 - We have designed and developed the portal for experimentation. This portal will be expanded and used in future 5G project activities (see below)
 - <http://wiki.5ginfire.eu/>
 - <http://wiki.5ginfire.eu/portalarchitecturedesign>
 - <https://portal.5ginfire.eu/>

- **5G-VINNI – Deployment of 5G facilities in Europe**

- 3 years project, started in June 2018
- <https://www.5g-vinni.eu/>
- Patras 5G facility is one of the main facilities in 5G-VINNI
 - <https://www.5g-vinni.eu/facility-site/>
 - <https://www.5g-vinni.eu/greece-main-facility-site/>

- **Two new projects to host verticals in 5G-VINNI**

- **5G-SOLUTIONS**

- 3 years project, started in June 2019
- <https://www.5gsolutionsproject.eu/>
- Our role in this project
 - To develop and deploy 5G private networks in industrial environment (in Belgium and Ireland)
 - To host in Patras 5G facility Multimedia & Entertainment vertical use case and support a live event (Carnival)

- **5G-VICTORY**

- 3 years project, started in June 2019
- <https://www.5g-victori-project.eu/project.html>
- Our role in the project
 - To provide 5G coverage and support to nearby train stations and onboard the train along the train tracks
 - To provide 5G coverage and host of use cases from Energy Vertical through the National Electricity Distributor in Greece (ADMIE)