



Wheel Horse[®]

520Lxi

**Lawn and Garden
Tractor**

Model No. 73545-8900001 & Up

Model No. 73546-8900001 & Up

Parts Catalog

ORDERING REPLACEMENT PARTS

To order replacement parts, please supply: the part number, the quantity, and the description of each part desired.

Contents

Description	Page	Description	Page
Bumper and Hood Assembly	1	Cruise Control Assembly	23
Steering Tower and Fuel Tank Assembly	2	Fender and Fuel System Assembly	24
Attach A Matic and Hitch Assembly	3	Wheel Assembly	25
Lower Power Steering Assembly	4	Liquid Cooled Gas Engine Assembly	26
Power Steering and Tilt Assembly	5	Liquid Cooled Gas Engine Assembly (Continued)	27
Tie Rods, Spindle & Front Axle Assembly	6	Electrical Assembly	28
Hydro Trans Axle Assembly	7	Transmission Assembly	29
Hydro Trans Axle Assembly (Continued)	8	Transmission Assembly	30
Drive Shaft Assembly	9	Crankcase Assembly	31
Hydro Lift Lower Assembly	10	Piston & Crankshaft Assembly	32
Hydro Lift Upper Assembly	11	Valve/Camshaft Assembly	33
Hood & Headlight Assembly	12	Oil Pump & Filter Assembly	34
Grille and Side Panel Assembly	13	Water Pump Assembly	35
Dash Assembly	14	Electrical Components Assembly	36
Fender, Footrest and Seat Assembly	15	Governor Assembly	37
Fender, Footrest and Seat Assembly (Continued)	16	Carburetor Assembly	38
Smart Turn Rear Assembly	17	Air Cleaner Assembly	39
Hi-Lo Shift Assembly	18	Fuel Pump & Filter Assembly	40
Upper Parking Brake Assembly	19	Starter Assembly	41
Hydro Controls Assembly	20	Wiring Harness Routing	42
Smart Turn Front Assembly	21	Electrical Schematic Diagram	43
Lower Parking Brake Assembly	22		

Accessories

Description	Model / Parts No.	Description	Model / Parts No.
42" Rear Discharge Mower (Model No. 73545 Only)	78353	52" Side Discharge Mower (Model No. 73545 Only)	78370
42" Rear Discharge Low Cut Mower (Model No. 73546 Only)	78442	52" Recycler Mower (Model No. 73545 Only)	78375
44" Side Discharge Mower (Model No. 73545 Only)	78357	52" Side Discharge Low Cut Mower (Model No. 73546 Only)	78452
44" Recycler Mower (Model No. 73545 Only)	78358	60" Side Discharge Mower (Model No. 73545 Only)	78395
44" Side Discharge Low Cut Mower (Model No. 73546 Only)	78444	60" Side Discharge Low Cut Mower (Model No. 73546 Only)	78469
48" Side Discharge Mower (Model No. 73545 Only)	78363	36" Tiller*	79375
48" Recycler Mower (Model No. 73545 Only)	78364	50" Grader Blade*	79356
48" Side Discharge Low Cut Mower (Model No. 73546 Only)	78448	42" Single Stage Snowthrower**	79365
		44" Two-Stage Snowthrower**	79366
		48" Snow/Dozer Blade**	79355

Accessories (Continued)

ROPS	79210	Dual Wheel Adapter	94–2050
Rear Wheel Weights	81115	Rear Attach–A–Matic	95–4220
Flush Mount Rear Wheel Weights	81117	Clevis Hitch	94–7800
Front Wheel Weights	81214	Note: * Requires 95–4220	
Tire Chains	82146	** Requires 81115	

Part Description Abbreviations

Part descriptions in this catalog may include the following abbreviations.

Abbreviation	Meaning	Abbreviation	Meaning
AR	as required	HWHTF	hex washer head thread forming
ASM	assembly	INC	incorporated
CARR	carriage	LH	left hand
DEG	degrees	PH	pan head
FH	flat head	PPH	Phillips pan head
GA	gauge	PTO	power take off
HF	hex flange	RH	right hand
HFV	hex flange washer	SFH	slotted fillister head
HH	hex head	SH	square head
HHF	hex head flange	SHWH	slotted hex washer head
HHST	hex head self tapping	SPH	slotted pan head
HJ	hex jam	STD	standard
HOC	height-of-cut	TAP	self tapping
HS	hex socket	TH	truss head
HSBH	hex socket button head	TTH	Torx truss head
HSFH	hex socket flat head	WH	wing head
HSH	hex socket head		
HWH	hex washer head		

Important Format Explanations

This catalog uses special formats to convey information in illustrations and parts lists. Specifically, one format is used in conjunction with service assemblies and another with quantities associated with reference numbers.

Service Assemblies

Parts within service assemblies have reference numbers in the form *X:Y*. *X* is the reference number of the service assembly and *Y* is a sequential number unique to each part within the service assembly.

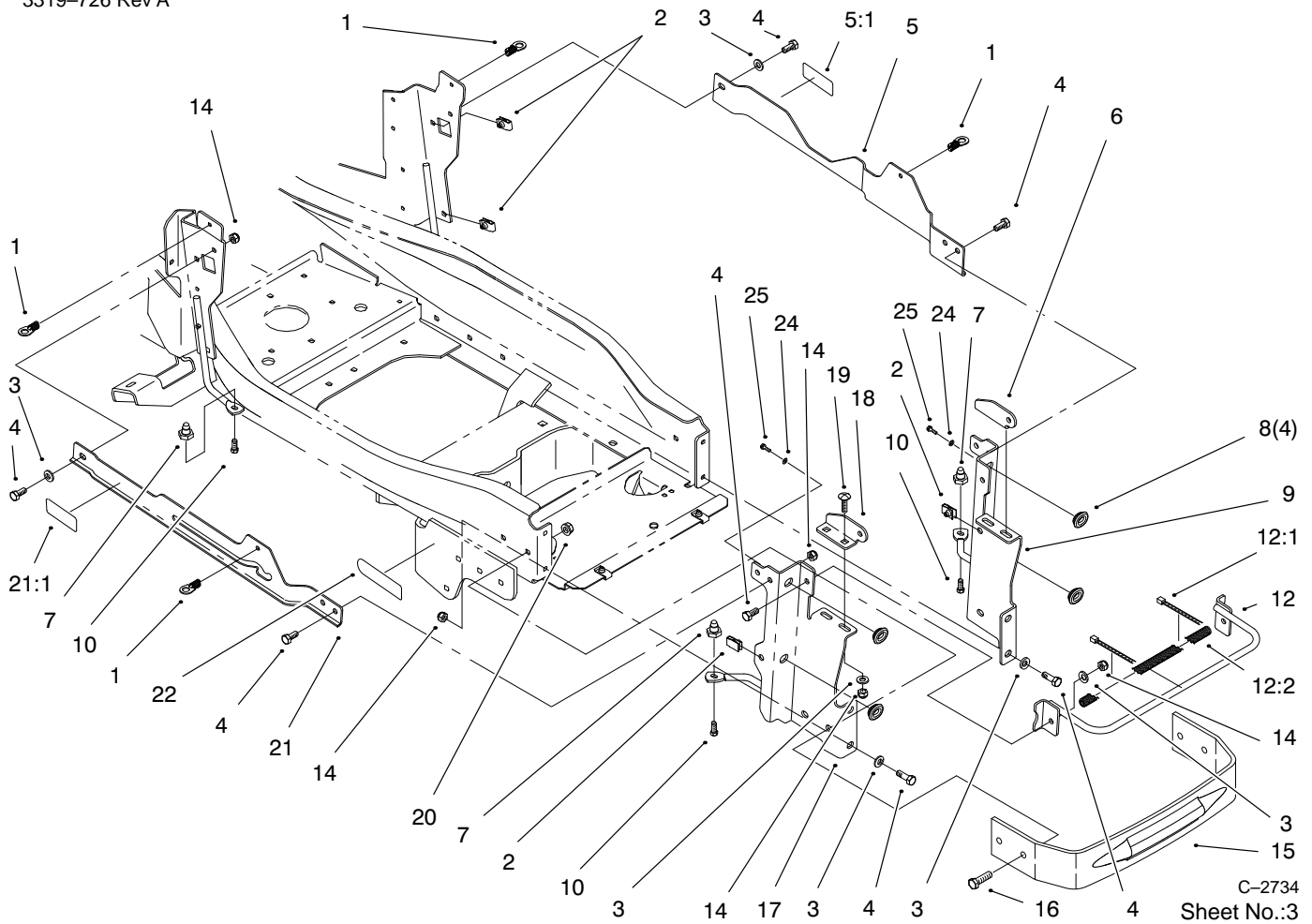
For example, a wheel assembly might be identified by reference number 6, the tire by 6:1, the valve by 6:2, and the wheel by 6:3. When you order the assembly identified by reference number 6, you receive all parts identified by reference numbers 6:1, 6:2, and 6:3. However, you may also order any part individually.

Reference numbers of this type appear in part lists and as callouts in illustrations.

Reference Numbers with Quantities

Illustrations may have a quantity in parentheses next to a reference number, in the form *X (Y)*. *X* is the reference number. *Y* in parentheses is the quantity of the part identified by the reference number.

For example, the illustration callout 4 (2) indicates that two parts are used in that instance.

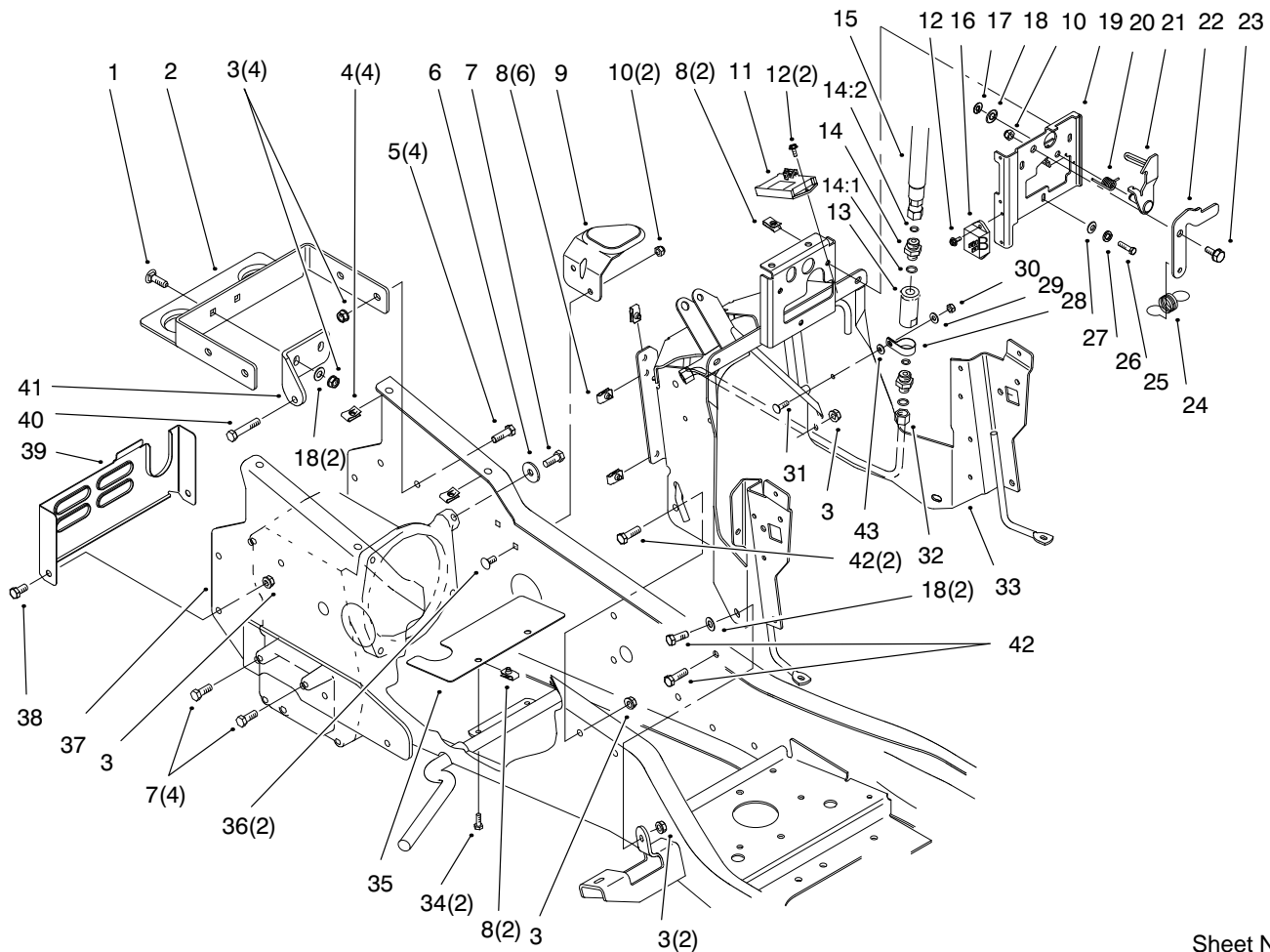


C-2734
Sheet No.:3

Bumper and Hood Assembly

Ref. No.	Part No.	Qty.	Description
1	95-4013	4	Latch Assembly
2	107069	6	Nut-Panel
3	3256-23	12	Washer-Flat
4	322-3	12	Screw-HH
5	98-5064-03	1	Support ASM (Only On: 73545)
5	98-5070-03	1	Support ASM (Only On: 73546)
5:1	98-5014	1	Decal-Warning (Only On: 73545)
5:1	98-5015	1	Decal-Warning (Only On: 73546)
6	94-7995-03	1	Bracket-Hinge Lower LH
7	95-3989	4	Mount-Sidepanel
8	94-7910	4	Grommet
9	95-4082-03	1	Hood Support LH
10	46-8093	4	Screw-TAP
12	98-7203	1	Hood Support ASM
12:1	95-4258	1	Cover-Brace
12:2	614249	2	Tie Strap
14	3296-29	16	Nut-Lock
15	94-2308-03	1	Bumper-Frame
16	323-7	4	Screw-HH
17	95-4081-03	1	Hood Support RH

Ref. No.	Part No.	Qty.	Description
18	94-7994-03	1	Bracket-Hinge Lower RH
19	3230-16	4	Screw-CARR
20	3296-39	4	Nut-Lock
21	98-5061-03	1	Support ASM (Only On: 73545)
21	98-5063-03	1	Support ASM (Only On: 73546)
21:1	98-5014	1	Decal-Warning (Only On: 73545)
21:1	98-5015	1	Decal-Warning (Only On: 73546)
22	92-8747	2	Decal-Attach A Matic
24	3256-61	2	Washer-Flat (Only On: 73546)
25	32144-42	2	Screw-HH TAP (Only On: 73546)

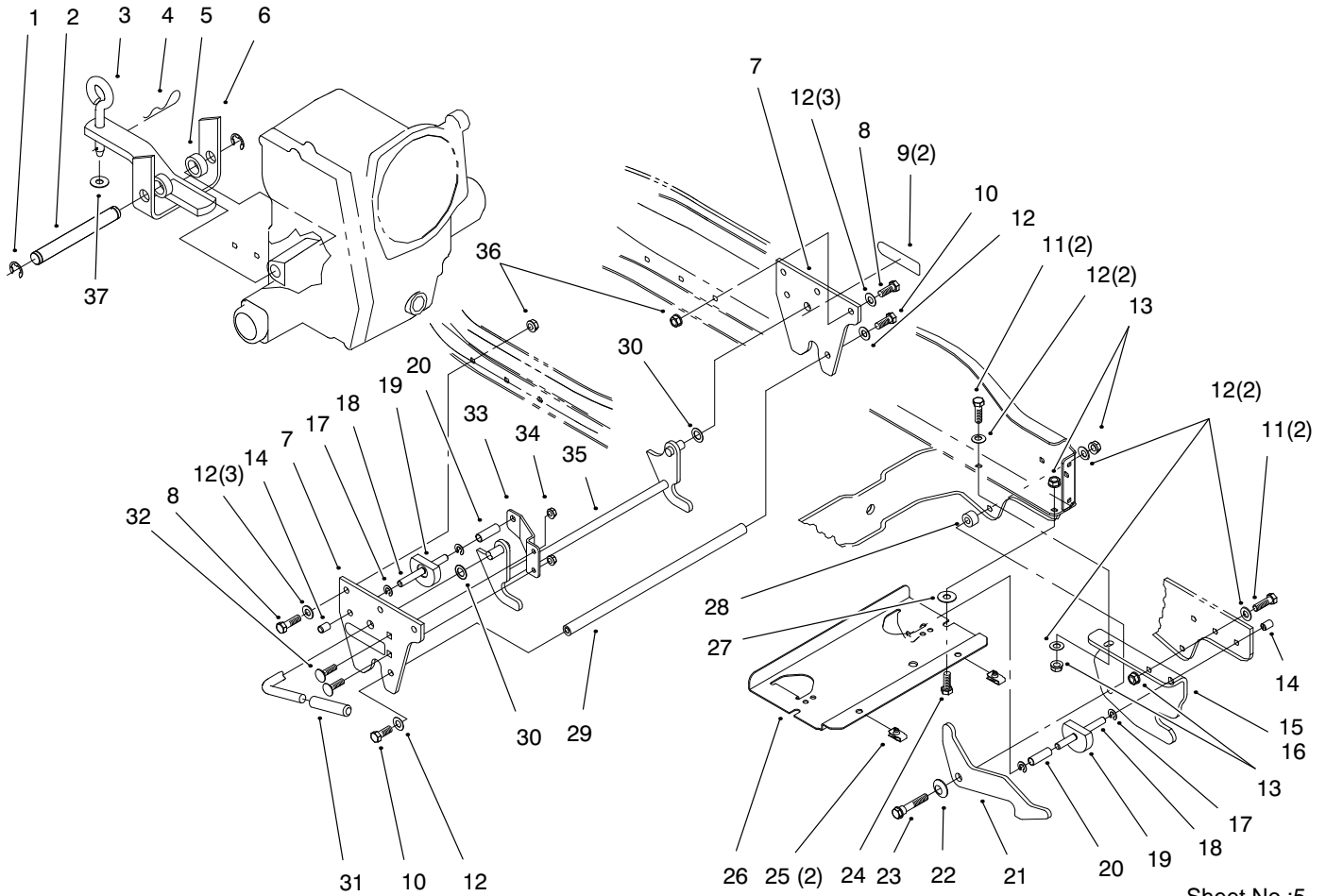


Sheet No.:4

Steering Tower and Fuel Tank Assembly

Ref. No.	Part No.	Qty.	Description
1	3231-25	2	Screw-CARR
2	94-7740-03	1	Support - Gas Tank
3	3296-39	10	Nut-Lock
4	94-2413	4	U-Nut
5	323-7	4	Screw-HH
6	2844	1	Washer-Flat
7	3235-22	5	Screw-HH
8	107069	10	Nut-Panel
9	95-3961-03	1	Support-Fuel Tank
10	3296-29	3	Nut-Lock
11	94-7613	1	Module-Kawasaki
12	12-5450	3	Screw-Thread Forming
13	95-3991	1	Filter-Hydraulic Screen
14	95-4138	2	Fitting-Hydraulic
14:1	237-22	2	O-Ring
14:2	237-42	2	O-Ring
15	95-3807	1	Hose ASM
16	95-3029	1	Cruise Module
17	105797	1	Ring-Retaining
18	3256-24	5	Washer-Flat
19	95-3892-03	1	Bracket-Latch
20	95-4165	1	Spring-Torsion
21	95-3899	1	Latch Lever
22	95-3900	1	Tension Lever-Latch

Ref. No.	Part No.	Qty.	Description
23	37-8771	1	Bolt-Shoulder
24	95-3895	1	Spring-Extension
25	321-4	3	Screw-HH
26	3253-3	3	Washer-Lock
27	3256-22	3	Washer-Flat
28	2412-106	1	R Clamp
29	3256-22	1	Washer-Flat
30	3296-42	1	Nut-Lock
31	3229-1	1	Bolt-CARR
32	94-7971	1	Tube-Hydraulic
33	94-7643-03	1	Tower ASM
34	321-4	2	Screw-HH
35	95-4246	1	Baffle-Fan
36	3230-1	2	Bolt-CARR
37	94-2083-03	1	Frame
38	323-4	2	Screw-HH
39	95-4005-03	1	Cover-Rear
40	94-7972	1	Screw-HH
41	94-7739-03	1	Strap-Torque
42	323-6	4	Screw-HH
43	32115-15	1	Retainer



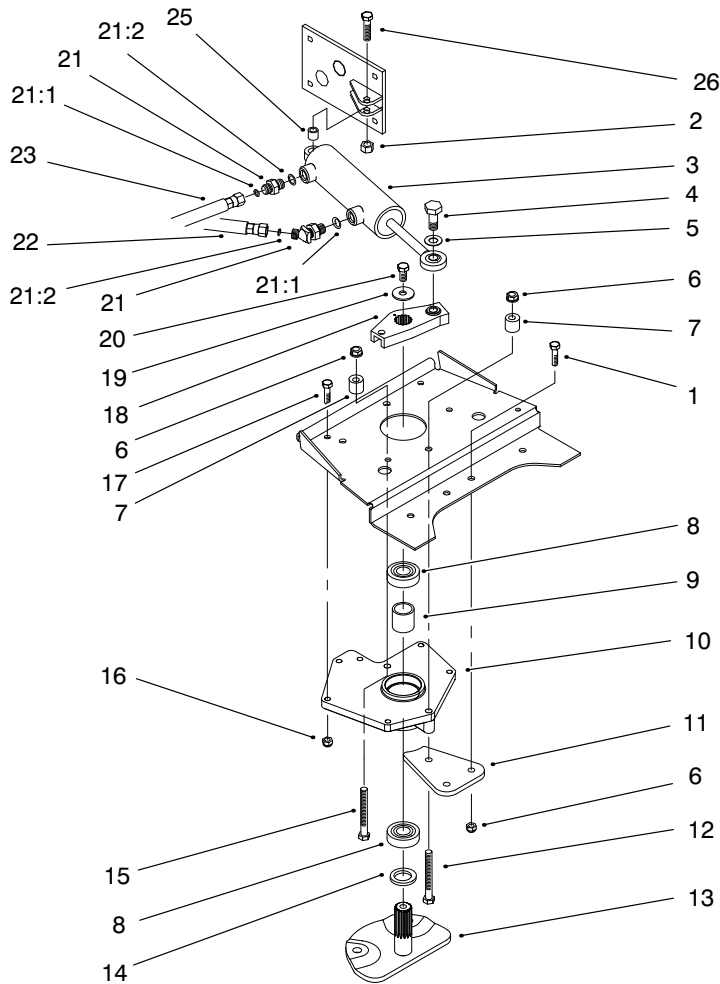
Sheet No.:5

Attach A Matic and Hitch Assembly

Ref. No.	Part No.	Qty.	Description
1	5618	2	Ring-Retaining
2	105269	1	Pin-Hitch
3	106634	1	Pin-Attachment
4	9335054	1	Hairpin
5	9791204	2	Spacer
6	98-8083	1	Hitch ASM
7	94-2251-03	2	Plate-Hitch
8	323-44	6	Screw-HH
9	98-1632	2	Decal-Attach A Matic
10	3235-22	2	Screw-HH
11	323-7	4	Screw-HH
12	3256-24	16	Washer-Flat
13	3296-39	8	Nut-Lock
14	105316	3	Cap-Rod
*15	94-2230-03	1	Hanger RH
16	94-2231-03	1	Hanger LH
17	105797	6	Ring-Retaining
18	94-2256	3	Rod-Lock
19	94-2258	3	Lock-Latch
20	8616	3	Spring-Compression
21	94-7777-03	2	Latch-Pulley Box
22	3290-221	2	Washer-Spring
23	92-7674	2	Bolt-Shoulder
24	323-6	2	Screw-HH
25	107069	2	Nut-Panel
26	94-2304-03	1	Tray-Battery

Ref. No.	Part No.	Qty.	Description
27	3-4685	2	Washer-Thrust
28	94-2233	2	Spacer
29	94-2475	1	Rod-Spacer
30	98-1629	2	Washer
31	9038	1	Grip
32	3230-2	2	Screw-CARR
33	94-7855-03	1	Mid Bracket ASM
34	3296-29	2	Nut-Lock
35	94-2250-03	1	Latch ASM
36	108881	6	Nut-Hex
37	3256-26	1	Washer-Flat

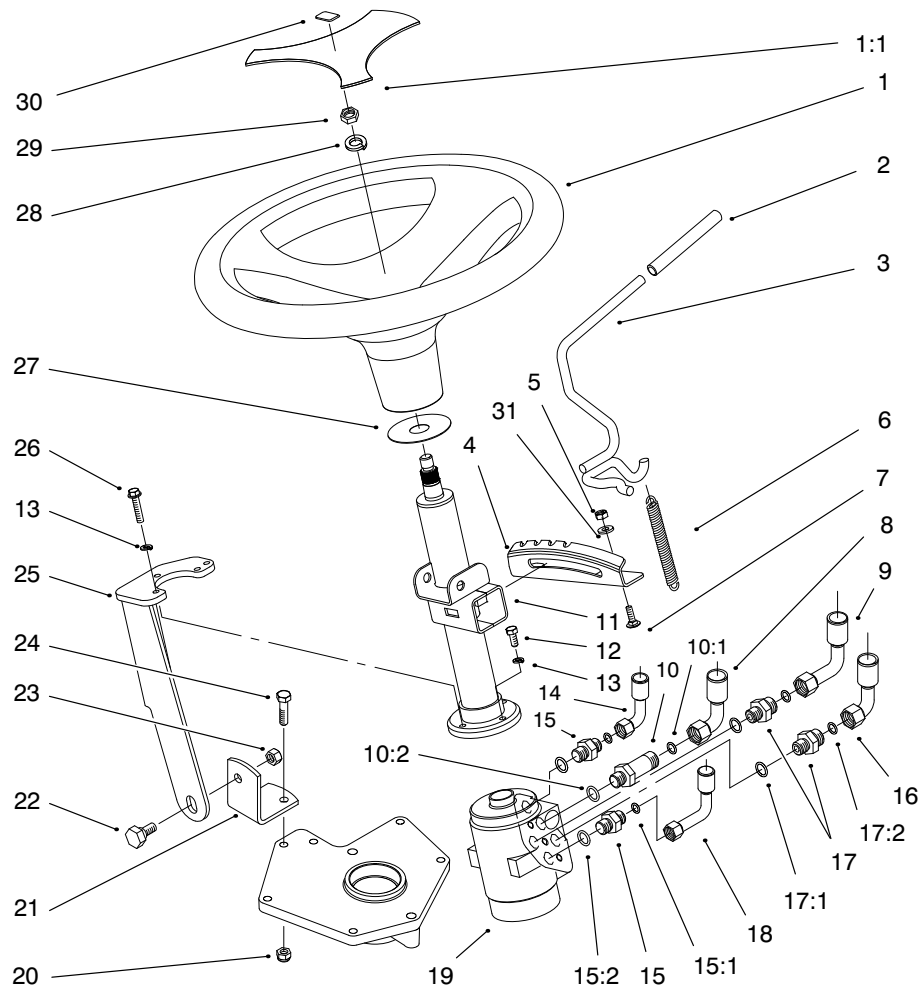
* Not illustrated



Sheet No.:8

Lower Power Steering Assembly

Ref. No.	Part No.	Qty.	Description	Ref. No.	Part No.	Qty.	Description
1	323-7	2	Screw-HH	21:2	237-21	2	O-Ring
2	108881	1	Nut-Hex	22	94-7946	1	Hose ASM
3	95-3965	1	Cylinder-Hydraulic	23	94-7947	1	Hose ASM
4	94-7976	1	Screw-HH	25	94-7907	1	Spacer
5	98-3087	1	Washer-Power Steering	26	323-8	1	Screw-HH
6	3296-39	4	Nut-Lock				
7	94-7819	2	Spacer-Stop				
8	251-82	2	Bearing-Ball				
9	94-2219	1	Spacer				
10	94-7581	1	Housing-Power Steering				
11	94-7820-03	1	Plate-Power Steering				
12	323-15	1	Screw-HH				
13	94-2142-03	1	Arm-Lower				
14	3256-42	1	Washer-Flat				
15	323-10	1	Screw-HH				
16	3296-29	4	Nut-Lock				
17	322-6	4	Screw-HH				
18	94-7556	1	Arm-Upper				
19	2844	1	Washer-Flat				
20	98-3052	1	Screw-Thread Locking				
21	95-4136	2	Fitting-Hydraulic 45 DEG				
21:1	237-42	2	O-Ring				



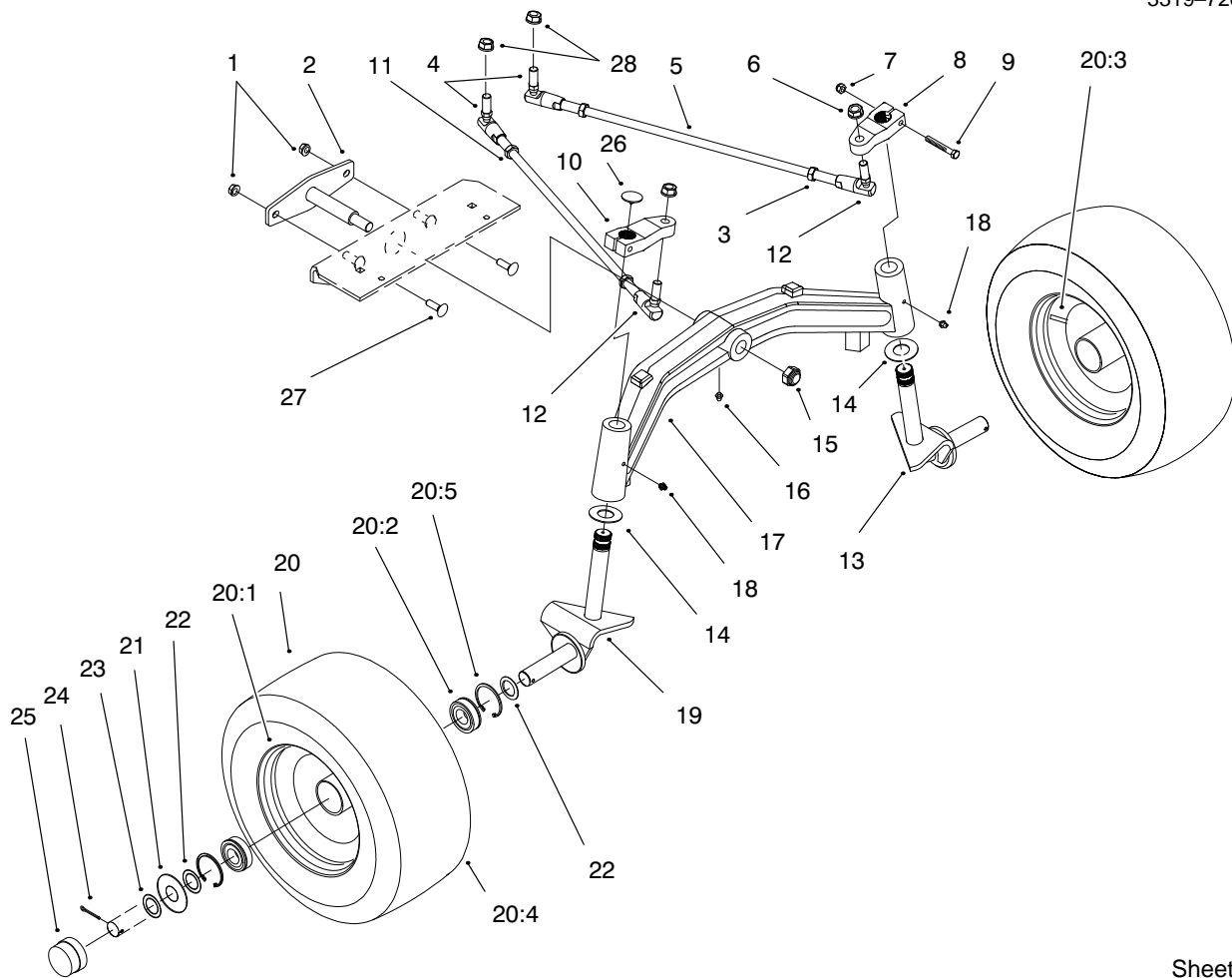
Sheet No.:9

Power Steering and Tilt Assembly

Ref. No.	Part No.	Qty.	Description
1	98-1474	1	Steering Wheel ASM
1:1	98-7211	1	Cover ASM (Incl. Ref. #30)
2	92-6798	1	Cap-Rod
3	95-3964	1	Lever-Tilt
4	94-2382	1	Bracket
5	3296-42	2	Nut-Lock
6	95-3805	1	Spring
7	3229-1	2	Screw-CARR
8	94-7947	1	Hose ASM
9	94-7949	1	Hose ASM
10	95-4137	1	Fitting-Hydraulic Long
10:1	237-42	1	O-Ring
10:2	237-22	1	O-Ring
11	94-2451	1	Power Column ASM
12	33103-020	1	Screw-HHF
13	48-8020	4	Washer-Lock
14	94-7948	1	Hose ASM
15	95-4139	2	Fitting-Hydraulic Straight
15:1	237-42	2	O-Ring
15:2	237-21	2	O-Ring
16	95-3807	1	Hose ASM
17	95-4138	2	Fitting-Hydraulic
17:1	237-22	2	O-Ring
17:2	237-42	2	O-Ring

Ref. No.	Part No.	Qty.	Description
18	94-7946	1	Hose ASM
19	94-7567	1	Control Unit
20	3296-29	2	Nut-Lock
21	94-7599-03	1	Bracket-Pivot
22	94-7582	1	Bolt-Shoulder
23	108881	1	Nut-Hex
24	322-6	2	Screw-HH
25	94-7521-03	1	Power Steering Pivot
26	33103-025	3	Screw-HHF
27	94-2025	1	Washer-Boot
28	69-8420	1	Lockwasher
29	95-4182	1	Nut-HH Jam
30	98-1459	1	Decal
31	3256-22	2	Washer-Flat
*32	614249	2	Tie Strap

* Not illustrated



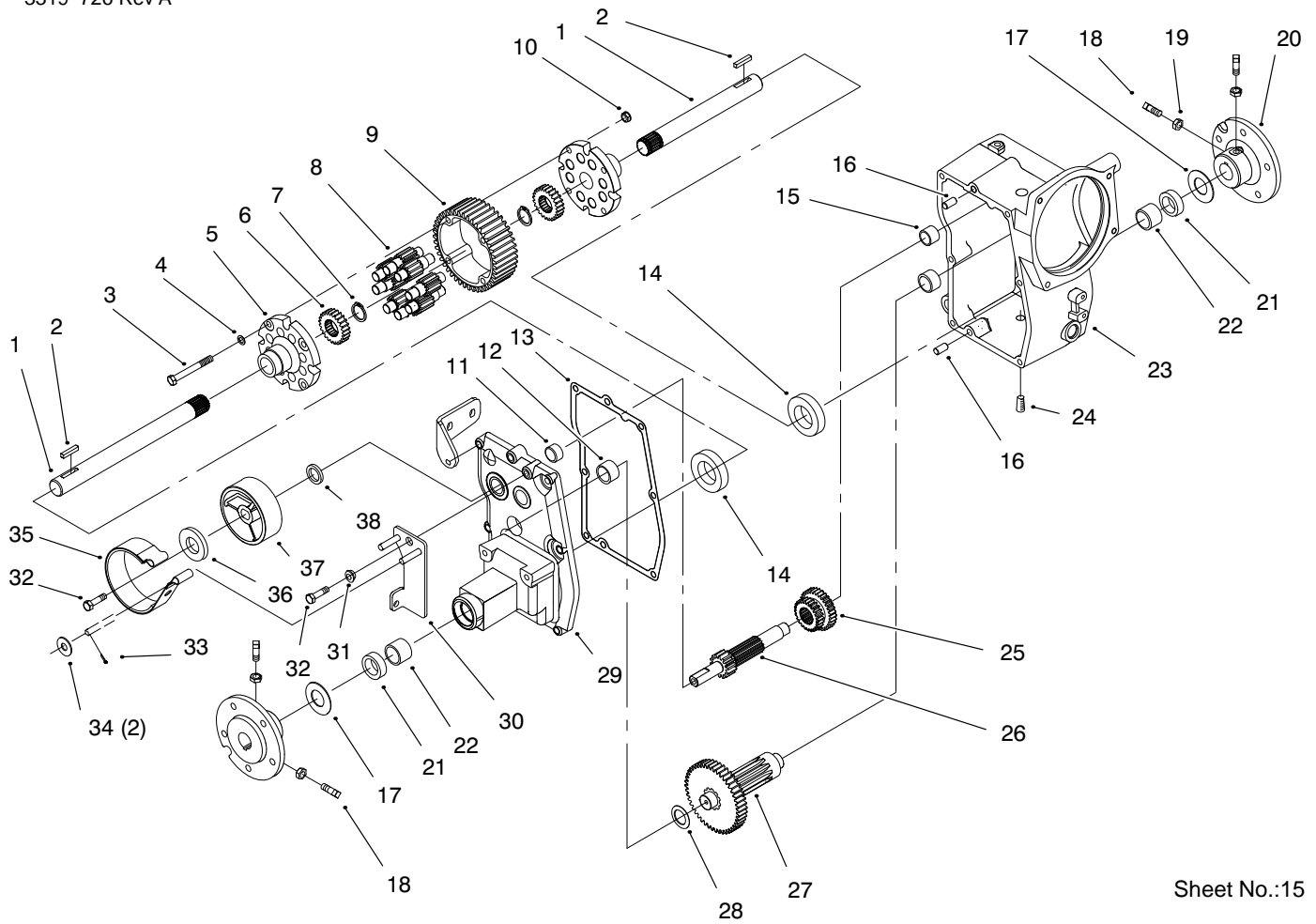
Sheet No.:14

Tie Rods, Spindle & Front Axle Assembly

Ref. No.	Part No.	Qty.	Description
1	3296-39	2	Nut-Lock
2	94-2205-03	1	Pivot Pin
3	3220-5	2	Nut-Hex
4	94-7539	2	Balljoint-LH Thread
5	94-2212	2	Rod-Steering
6	98-8088	2	Nut-Lock
7	3296-29	2	Nut-Lock
8	94-2197	1	Arm-LH Steering
9	322-32	2	Screw-HH
10	94-2196	1	Arm-RH Steering
11	3220-12	2	Nut-Hex
12	98-8086	2	Balljoint-RH Thread
13	94-7537-03	1	LH Spindle
14	9548	2	Washer-Thrust
15	3296-61	1	Nut-Hex
16	302-11	1	Fitting-Grease
17	94-7568-03	1	Axle-Front
18	302-5	2	Fitting-Grease
19	94-7536-03	1	RH Spindle
20	94-7542	2	Wheel & Tire ASM (Only On: 73545)
20	95-4084	2	Wheel & Tire ASM (Only On: 73546)
20:1	94-7541	2	Wheel
20:2	94-7538	4	Bearing ASM (Incl. Ref. #20:5)

Ref. No.	Part No.	Qty.	Description
20:3	5108	2	Valve-Tire Tubeless
20:4	94-2191	2	Tire (Only On: 73545)
20:4	95-4085	2	Tire (Only On: 73546)
20:5	94-2053	4	Snap Ring
21	95-4060	2	Washer-Wheel
22	9202514	4	Washer-Flat
23	9202524	A/R	Washer
24	3272-18	2	Pin-Cotter
25	94-7871	2	Cap-Dust
26	98-1642	2	Cap-Spindle
27	3231-25	2	Screw-CARR
28	98-8089	2	Nut-Lock
*	112819	2	Tube-Inner

* Not Illustrated

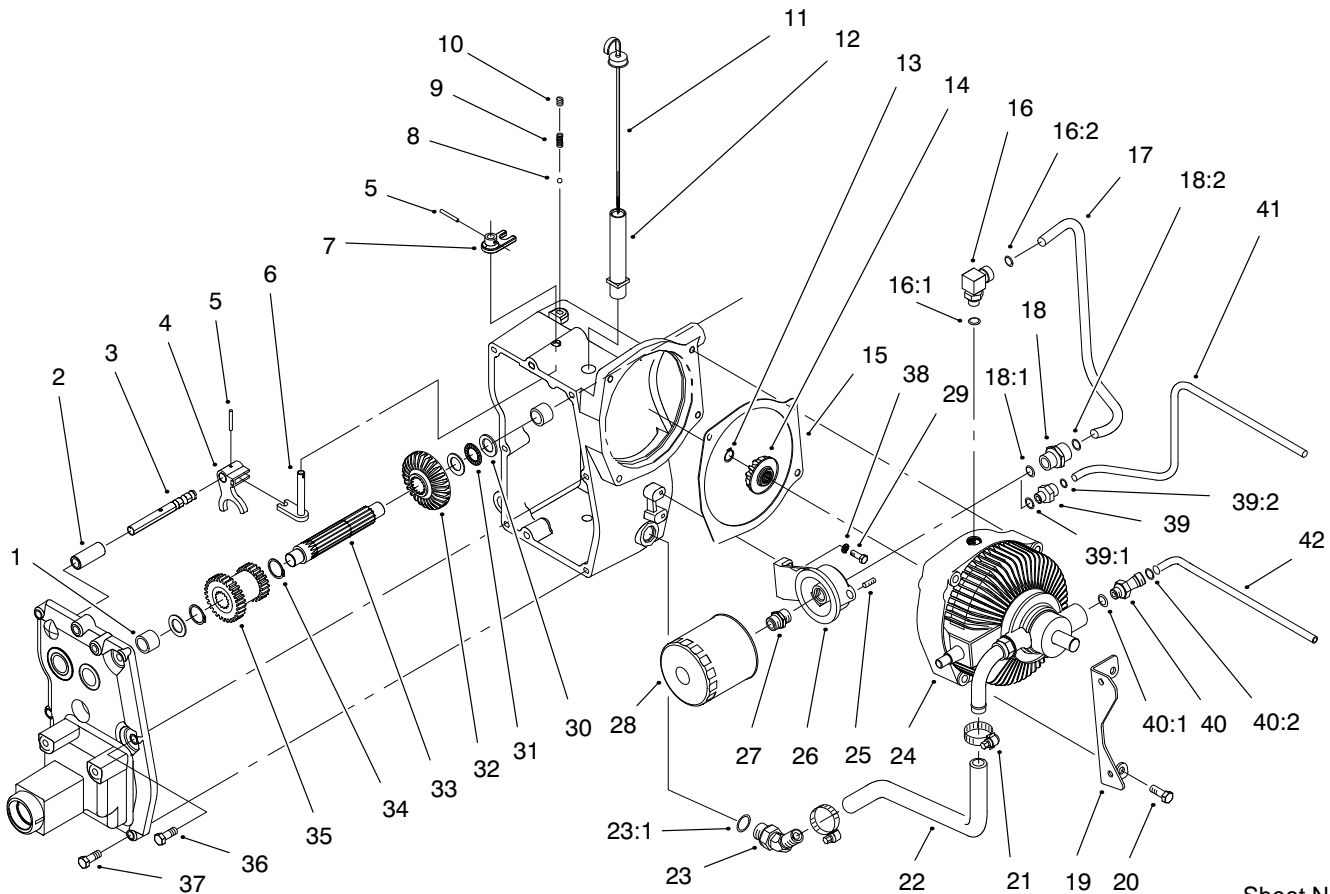


Sheet No.:15

Hydro Trans Axle Assembly

Ref. No.	Part No.	Qty.	Description
1	79-3340	2	Axle-Rear
2	79-3370	2	Key-Square
3	911423	4	Screw-HH
4	107374	4	Washer-Flat
5	111196	2	Cap-End
6	101889	2	Gear-Axle
7	105876	2	Ring-Retaining
8	101623	8	Gear-Pinion
9	105061	1	Gear-Differential
10	108881	4	Nut-Hex
11	1540	1	Bearing-Needle
12	94-2021	2	Bearing-Needle
13	94-2022	1	Gasket-Transaxle
14	111199	2	Bearing-Ball
15	1529	1	Bearing-Needle
16	108363	2	Pin-Locating
17	106826	2	Washer-Thrust
18	3243-5	4	Screw-Set
19	3218-3	4	Nut-HJ
20	105763-03	2	Hub-Wheel
21	6449	2	Seal-Oil
22	9416	2	Bearing-Needle
23	94-2001-03	1	Case-Transaxle
24	281-10	1	Plug-Pipe
25	94-2008	1	Gear-Sliding
26	94-2007	1	Shaft-Brake

Ref. No.	Part No.	Qty.	Description
27	94-2006	1	M-Gear
28	9547	1	Washer-Thrust
29	94-2002-03	1	Case-Transaxle
30	94-2019-03	1	Arm-Brake Pivot
31	100309	1	Bushing-Cam Pivot
32	3235-22	2	Screw-HH
33	3272-6	2	Pin-Cotter
34	3256-24	2	Washer-Flat
35	94-2419	1	Brake Band
36	2844	1	Washer-Flat
37	94-2009	1	Drum-Brake
38	253-44	1	Seal-Oil

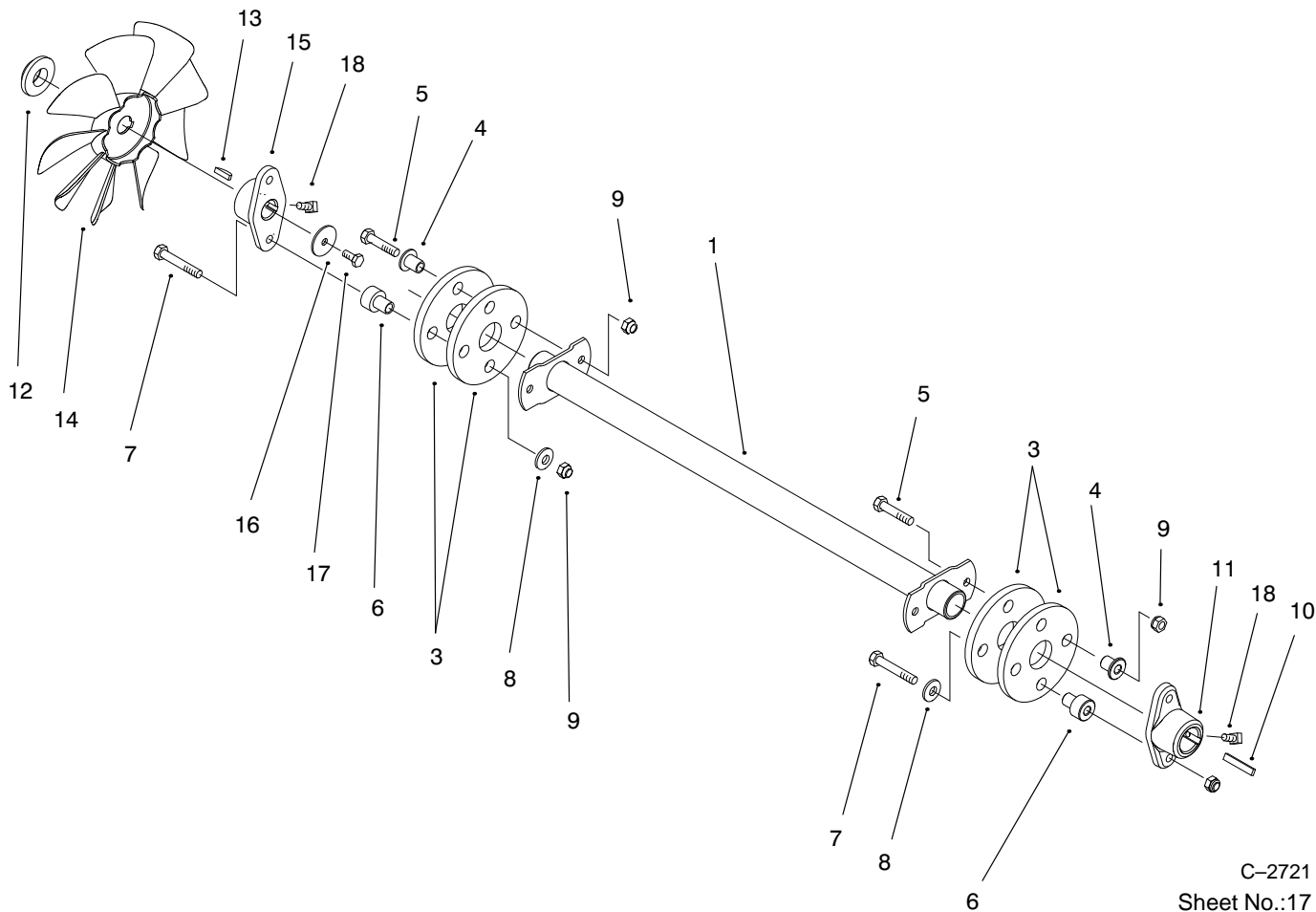


Sheet No.:16

Hydro Trans Axle Assembly (Continued)

Ref. No.	Part No.	Qty.	Description
1	1529	2	Bearing-Needle
2	94-2014	1	Tube-Shifter Rail
3	94-2054	1	Rail-Shift
4	94-2015	1	Fork-Hi Lo Shift
5	933154	2	Pin-Spirol
6	94-2143	1	Arm-Shifter
7	94-7510	1	Arm-Hi Lo
8	3517	1	Ball
9	94-2024	1	Spring-Shift
10	3247-2	1	Screw-Set
11	94-7680-03	1	Dipstick
12	94-7559	1	Tube-Dipstick
13	32120-64	1	Ring-Retaining
14	94-7565	1	Pinion-Bevel
15	702062	1	Gasket-Pump & Motor
16	94-7693	1	Fitting-Hydraulic
16:1	237-42	1	O-Ring
16:2	237-30	1	O-Ring
17	94-7969	1	Tube-Hydraulic
18	94-7694	1	Fitting-Hydraulic
18:1	237-42	1	O-Ring
18:2	237-30	1	O-Ring
19	94-2148-03	1	Plate-Support Bracket
20	323-13	4	Screw-HH
21	2412-141	2	Clamp-Hose
22	95-4133	1	Hose-Suction

Ref. No.	Part No.	Qty.	Description
23	94-7692	1	Fitting-Hose
23:1	237-80	1	O-Ring
24	94-2003	1	Transmission
25	281-10	1	Plug-Pipe
26	108323	1	Base-Filter
27	5991	1	Fitting-Filter
28	79-5270	1	Filter-Oil
29	321-5	2	Screw-HH
30	1535	3	Washer-Thrust
31	8571	1	Bearing-Needle
32	94-7566	1	Gear-Bevel
33	94-2010	1	Shaft-Input
34	32151-29	2	Ring-Ext. Snap
35	94-2011	1	Gear-Hi Lo
36	323-9	3	Screw-HH
37	323-8	2	Screw-HH
38	3253-3	2	Washer-Lock
39	95-4138	1	Fitting-Hydraulic
39:1	237-22	1	O-Ring
39:2	237-42	1	O-Ring
40	95-4135	1	Fitting-Hydraulic 45
40:1	237-42	1	O-Ring
40:2	237-22	1	O-Ring
41	94-7970	1	Tube-Hydraulic
42	94-7971	1	Tube-Hydraulic

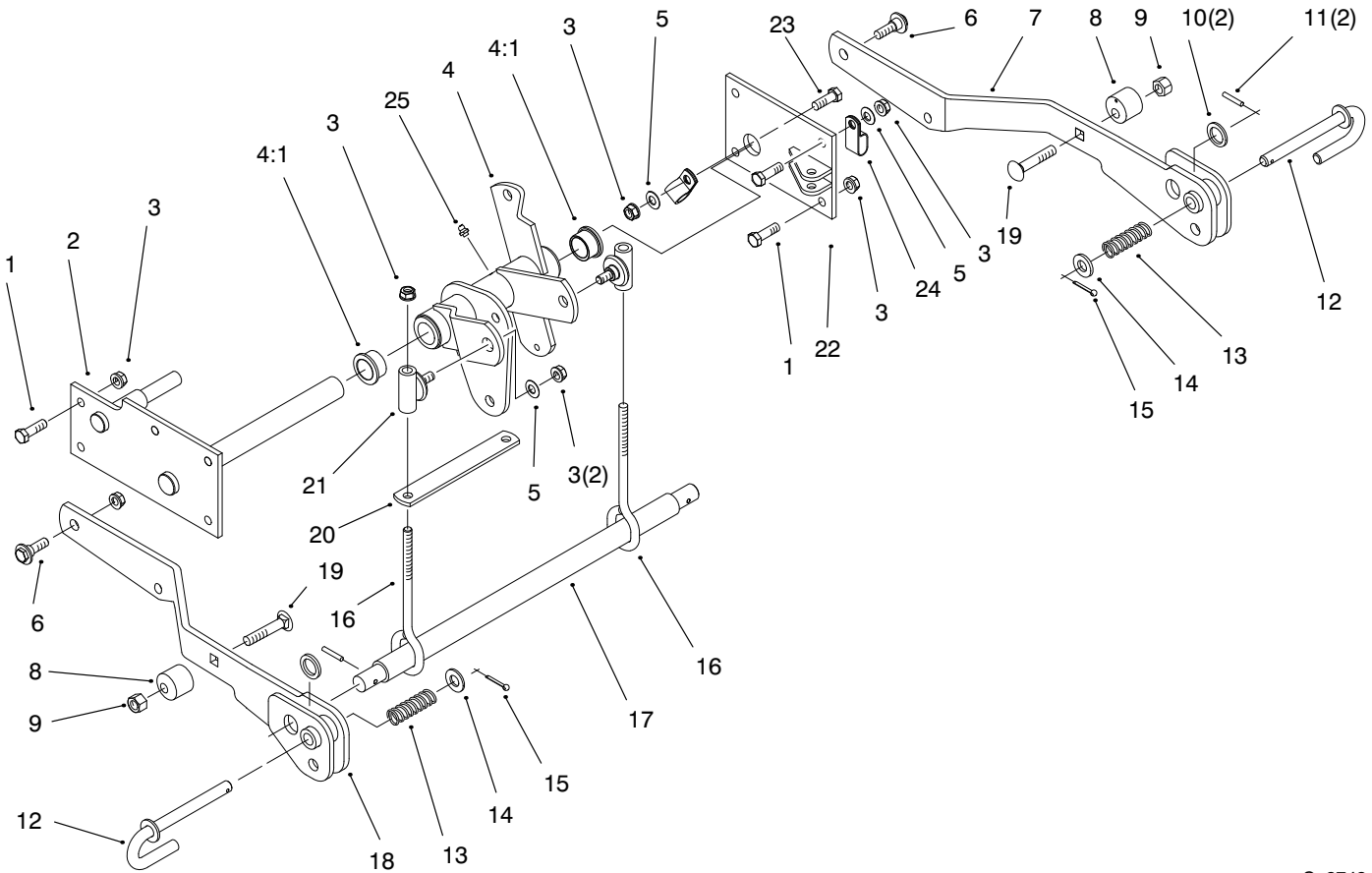


C-2721
Sheet No.:17

Drive Shaft Assembly

Ref. No.	Part No.	Qty.	Description
1	94-2373-03	1	Drive Shaft
3	44-2230	4	Coupling-Rubber
4	71-4411	4	Spacer-Coupling
5	322-7	4	Screw-HH
6	71-4410	4	Spacer-Coupling
7	322-11	4	Screw-HH
8	3256-3	4	Washer-Flat
9	3296-29	8	Nut-Lock
10	94-2425	1	Key-Square
11	94-2059	1	Hub
12	94-2371	1	Spacer-Fan
13	937089	1	Key-Woodruff
14	95-4223	1	Fan-Hydro
15	94-2310	1	Hub
16	103995	1	Washer
17	94-7955	1	Screw-Lock
18	94-7975	4	Screw-Square Set

Ref. No.	Part No.	Qty.	Description

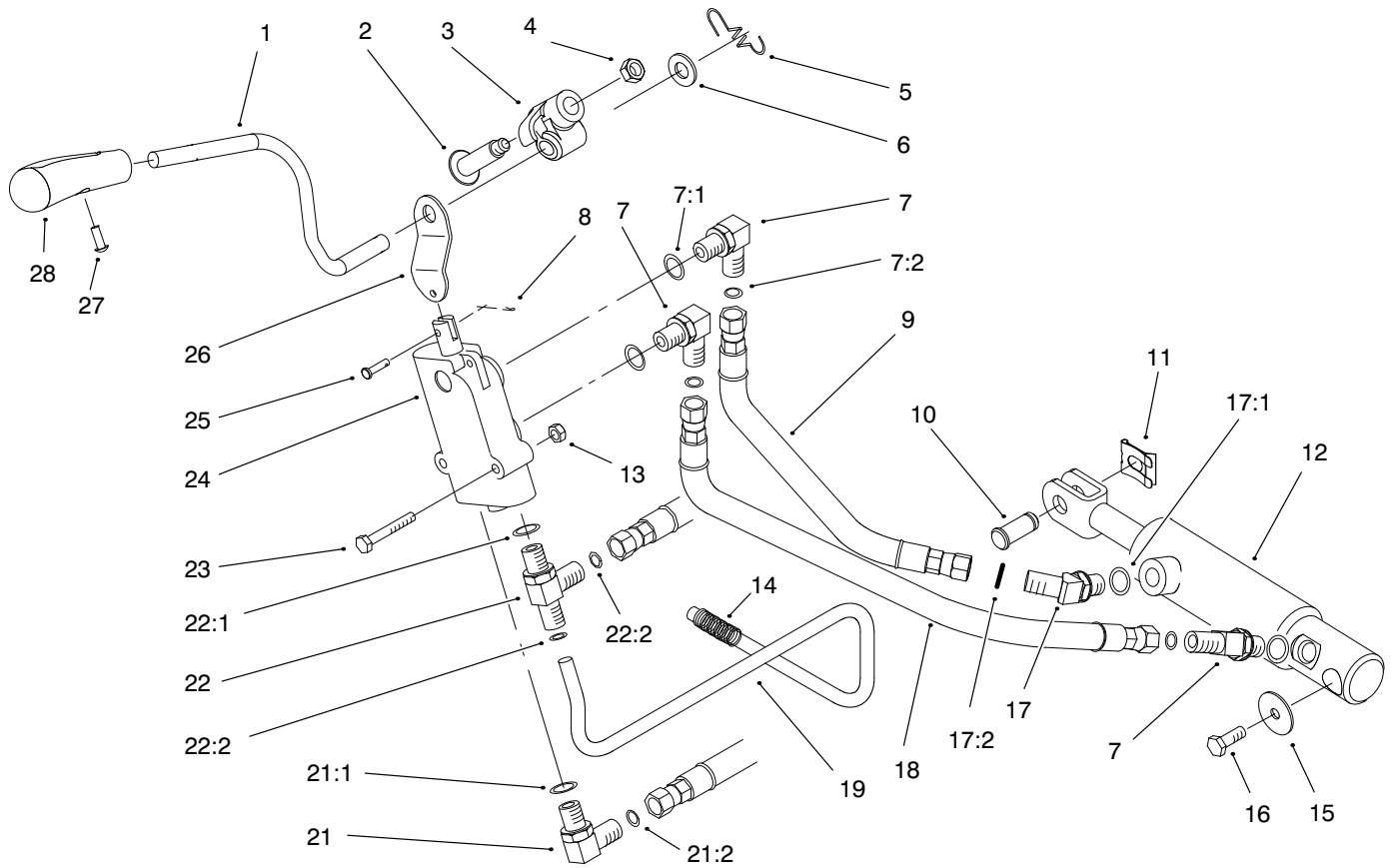


C-2742
Sheet No.:18

Hydro Lift Lower Assembly

Ref. No.	Part No.	Qty.	Description
1	323-7	5	Screw-HH
2	94-2263-03	1	Support-Deck Lift
3	3296-39	15	Nut-Lock
4	98-3582	1	Bellcrank & Bushing ASM
4:1	94-7574	2	Bushing-Flanged
5	3256-24	4	Washer-Flat
6	614672	2	Bolt-Shoulder
7	94-2279-03	1	Lift Arm ASM-LH
8	94-2411	2	Stop-Lift Adj.
9	3296-48	2	Nut-Lock
10	3256-28	2	Washer-Flat
11	32121-79	2	Roll Pin
12	94-2301	2	J Pin
13	95-4256	2	Spring-Compression
14	3256-26	2	Washer-Flat
15	3272-10	2	Pin-Cotter
16	94-2262	2	Rod-Lift
17	94-2277-03	1	Bar-Lift
18	94-2278-03	1	Lift Arm ASM-RH
19	3232-5	2	Screw-CARR
20	94-7600-03	1	Spacer-Strap
21	94-2260	2	Lift Sleeve ASM
22	94-2266-03	1	Support-Cylinder
23	323-18	4	Screw-HH

Ref. No.	Part No.	Qty.	Description
24	98-1617	1	Clamp-Tube
25	302-5	1	Fitting-Grease



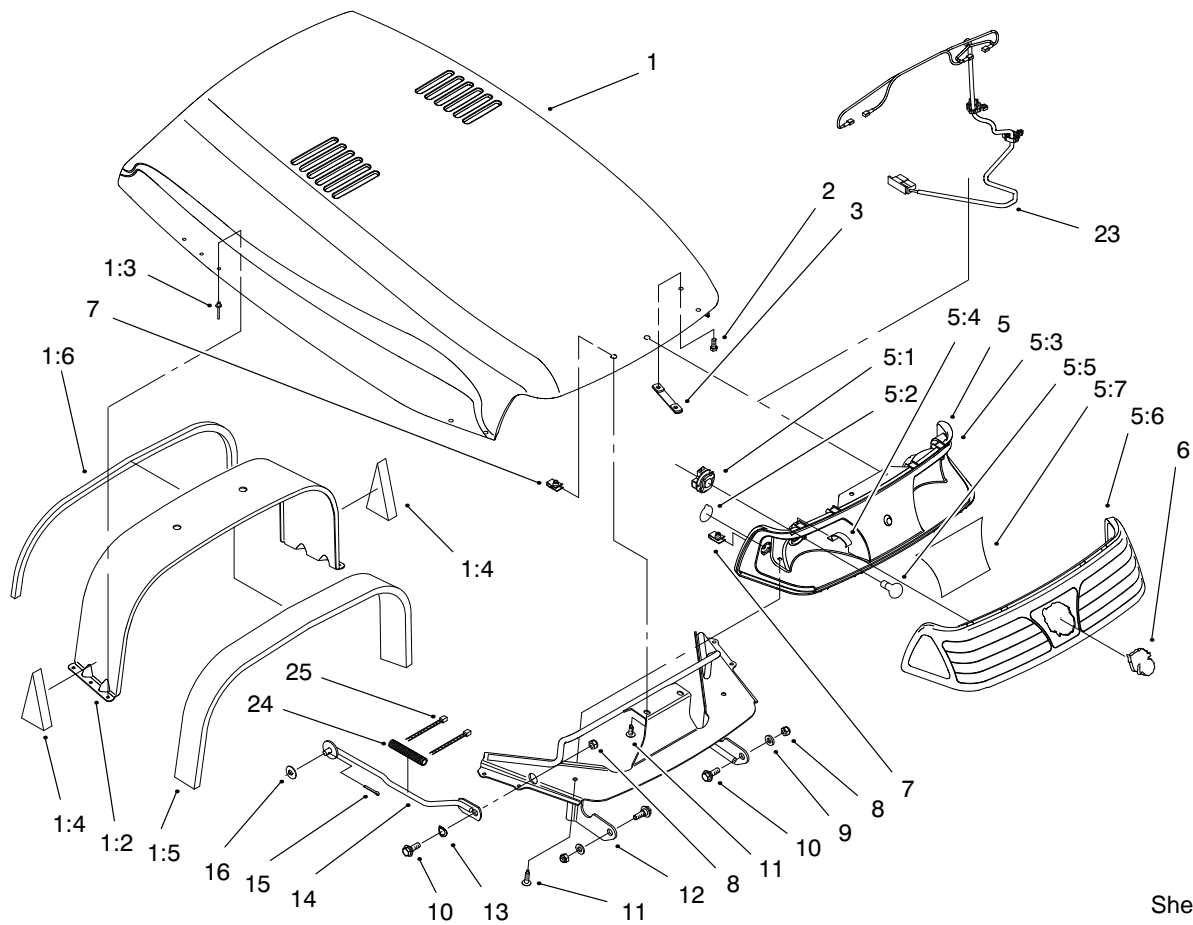
C-2728
Sheet No.:19

Hydro Lift Upper Assembly

Ref. No.	Part No.	Qty.	Description
1	94-7714	1	Handle-Lift
2	92-1099	1	Bolt-Shoulder
3	95-4168	1	Trunnion-Lift Lever
4	610358	1	Nut-Lock
5	95-4221	1	Spring-Ext. Lift
6	95-4235	1	Washer
7	95-4141	3	Fitting-Hydraulic 90 DEG
7:1	237-42	3	O-Ring
7:2	237-21	3	O-Ring
8	3272-1	1	Pin-Cotter
9	94-7945	1	Hose ASM
10	98-1639	1	Pin-Clevis
11	95-4064	1	Clip-Pin
12	94-2300	1	Lift Cylinder ASM
*12:1	95-4007	1	Seal Kit
13	3296-42	2	Nut-Lock
14	95-4258	2	Cover-Brace
15	3256-57	1	Washer-Flat
16	95-4245	1	Screw-Thread Locking
17	95-4136	1	Fitting-Hydraulic 45 DEG
17:1	237-42	1	O-Ring
17:2	237-21	1	O-Ring
18	94-7944	1	Hose ASM

Ref. No.	Part No.	Qty.	Description
19	94-7970	1	Tube-Hydraulic
21	95-4140	1	Fitting-Hydraulic 90 DEG.
21:1	237-42	1	O-Ring
21:2	237-22	1	O-Ring
22	95-4134	1	Fitting-Hydraulic Tee
22:1	237-42	1	O-Ring
22:2	237-22	2	O-Ring
23	321-10	2	Screw-HH
24	95-4019	1	Valve-Hydraulic
25	283-16	1	Pin-Clevis
26	98-1620	1	Link-Lift
27	95-4236	1	Tscrew-PPH
28	94-2100	1	Knob-Lift (Only On: 73545)
28	95-4106	1	Knob-Lift (Only On: 73546)

* Not illustrated

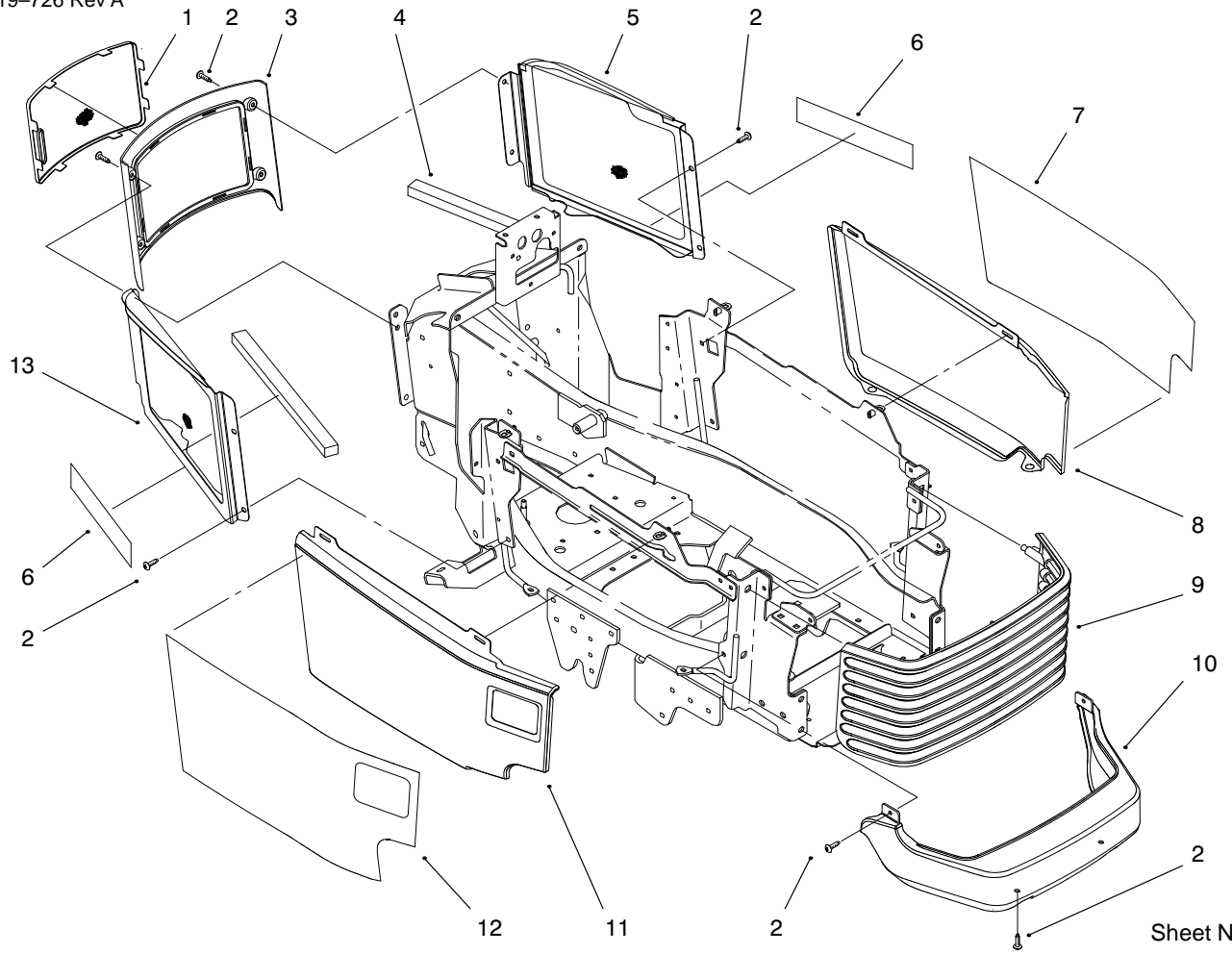


C-2731
Sheet No.:20

Hood & Headlight Assembly

Ref. No.	Part No.	Qty.	Description
1	98-7205	1	Hood ASM
1:2	98-7204	1	Rear Bulkhead ASM (Incl. Ref. #1:4 1:5 1:6)
1:3	3269-12	6	Rivet-Pop
1:4	95-4259	2	Foam-Lower Bulkhead
1:5	95-4078	1	Foam Seal-Rear Bulkhead
1:6	95-4233	1	Foam-Bulkhead/Hood
2	3274-31	4	Screw-HS
3	95-4197	2	Nut Plate
5	95-4166	1	Headlight ASM
5:1	98-3591	2	Socket
5:2	98-1602	2	Decal-Sidelight
5:3	98-7210	1	Reflector ASM (Incl. Ref. #5:2 & 5:7)
5:4	95-4129	4	Clip
5:5	7228	2	Bulb-Light
5:6	94-2099	1	Lens-Headlight
5:7	98-3597	1	Decal-Headlight Reflector
6	95-4248	1	Logo-Headlight
7	107069	4	Nut-Panel
8	3296-29	3	Nut-Lock
9	3256-23	2	Washer-Flat
10	27-0410	3	Bolt-Shoulder

Ref. No.	Part No.	Qty.	Description
11	92-7020	4	Screw-TTH
12	95-3800-03	1	Front Bulkhead
13	98-1649	1	Washer-Spring
14	95-4070-03	1	Hood Support Rod
15	3272-10	1	Pin-Cotter
16	98-3051	1	Washer-Plastic
23	95-0691	1	Harness-Wire
24	98-3595	1	Shield-Support Rod
25	614249	2	Tie Strap

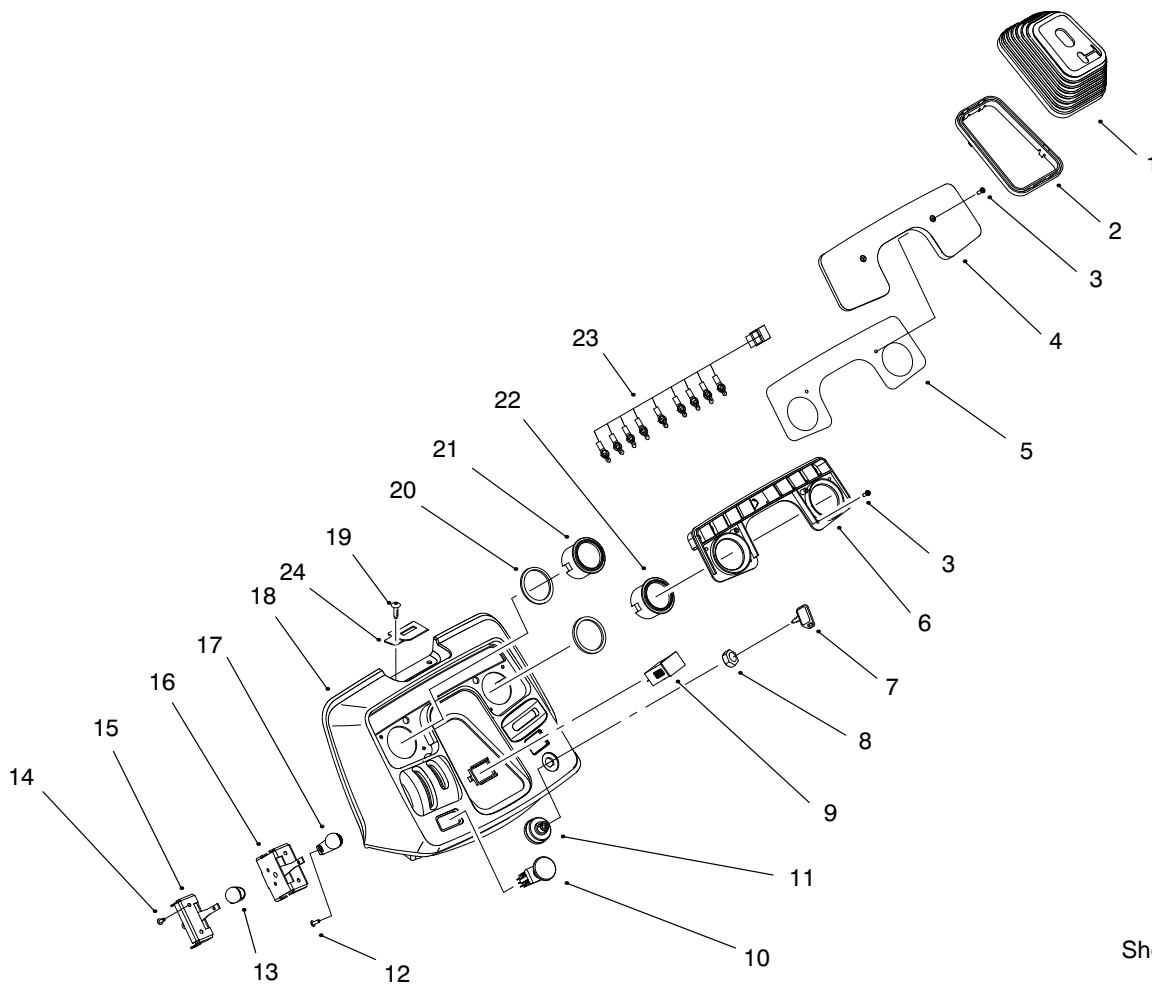


Sheet No.:21

Grille and Side Panel Assembly

Ref. No.	Part No.	Qty.	Description
1	94-2417-03	1	Screen-Rear
2	92-7020	12	Screw-TTH
3	94-2093	1	Cover-Rear
4	95-4231	2	Foam-Seal
5	95-4114-03	1	Cover-Side LH
6	98-1606	2	Decal-520xi
7	95-4260	1	Decal-Hood LH
8	94-2088-01	1	Sidepanel-Hood
9	94-2104	1	Grille
10	94-2103	1	Cover-Bumper
11	94-2087-01	1	Sidepanel-Hood
12	95-4261	1	Decal-Hood RH
13	95-4113-03	1	Cover-Side RH

Ref. No.	Part No.	Qty.	Description

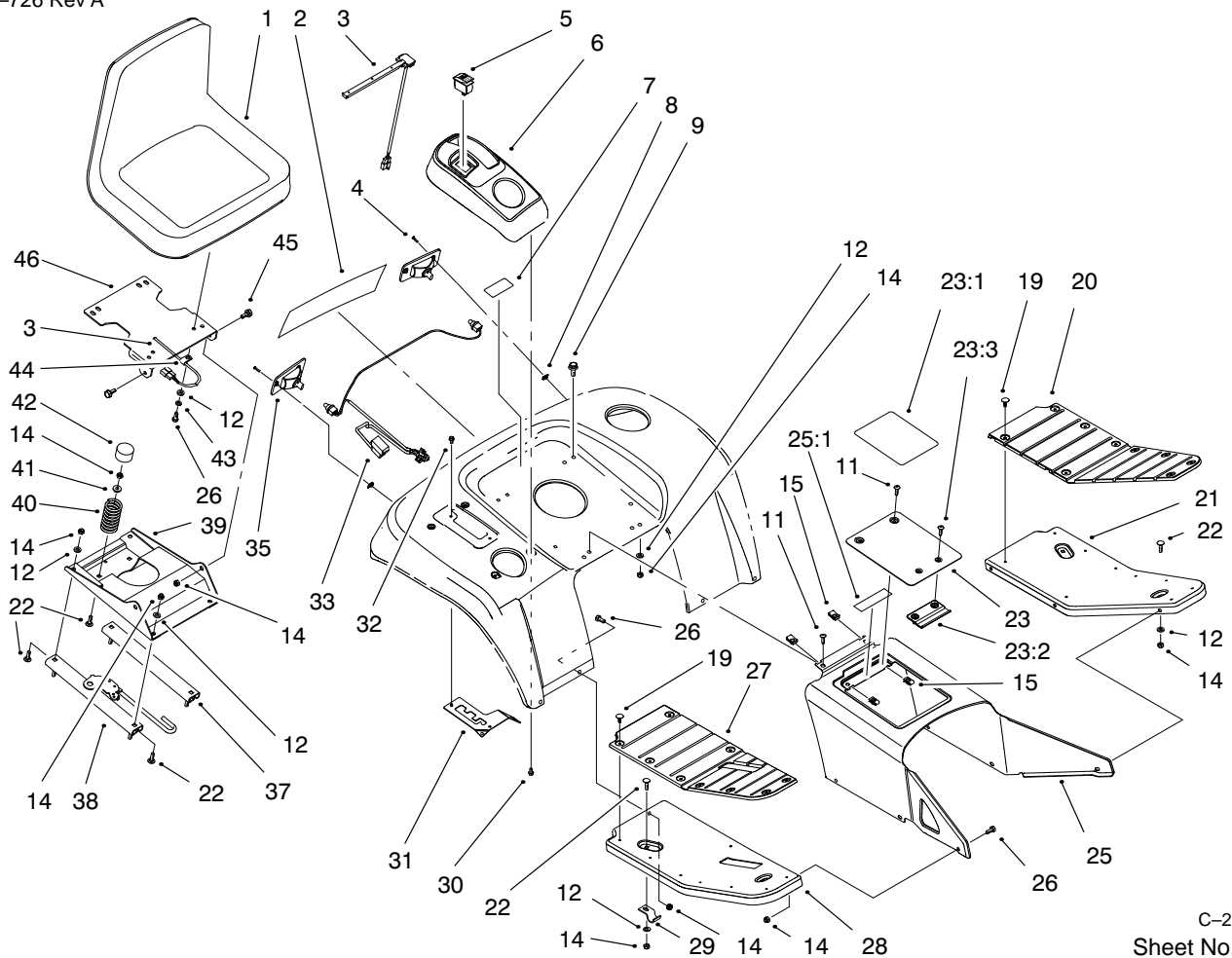


Sheet No.:22

Dash Assembly

Ref. No.	Part No.	Qty.	Description
1	94-2102	1	Boot-Steering
2	95-3844	1	Retainer-Boot
3	95-4234	6	Screw-Pan Hd
4	95-3842	1	Lens-Dash
5	95-4073	1	Decal-Dash Lens
6	95-3843	1	Housing-Light
7	62-7770	1	Key-Ignition
8	700919	1	Nut
9	94-4208	1	Hourmeter
10	95-7489	1	Switch-PTO
11	92-6785	1	Switch-Ignition
12	95-4236	2	Tscrew-PPH
13	94-2121	1	Knob-Throttle
14	32144-32	4	Screw-Plastic
15	95-4225	1	Control Throttle ASM
16	95-4224	1	ASM-Control Choke
17	94-2122	1	Knob-Choke
18	94-2101	1	Dash
19	92-7020	4	Screw-TTH
20	95-4238	2	Gasket-Foam
21	94-7617	1	Water Temp. Gauge
22	95-3830	1	Gauge-Fuel
23	94-7609	1	Harness-7 Light
24	95-4287	1	Guard-Latch (Only On: 73546)

Ref. No.	Part No.	Qty.	Description

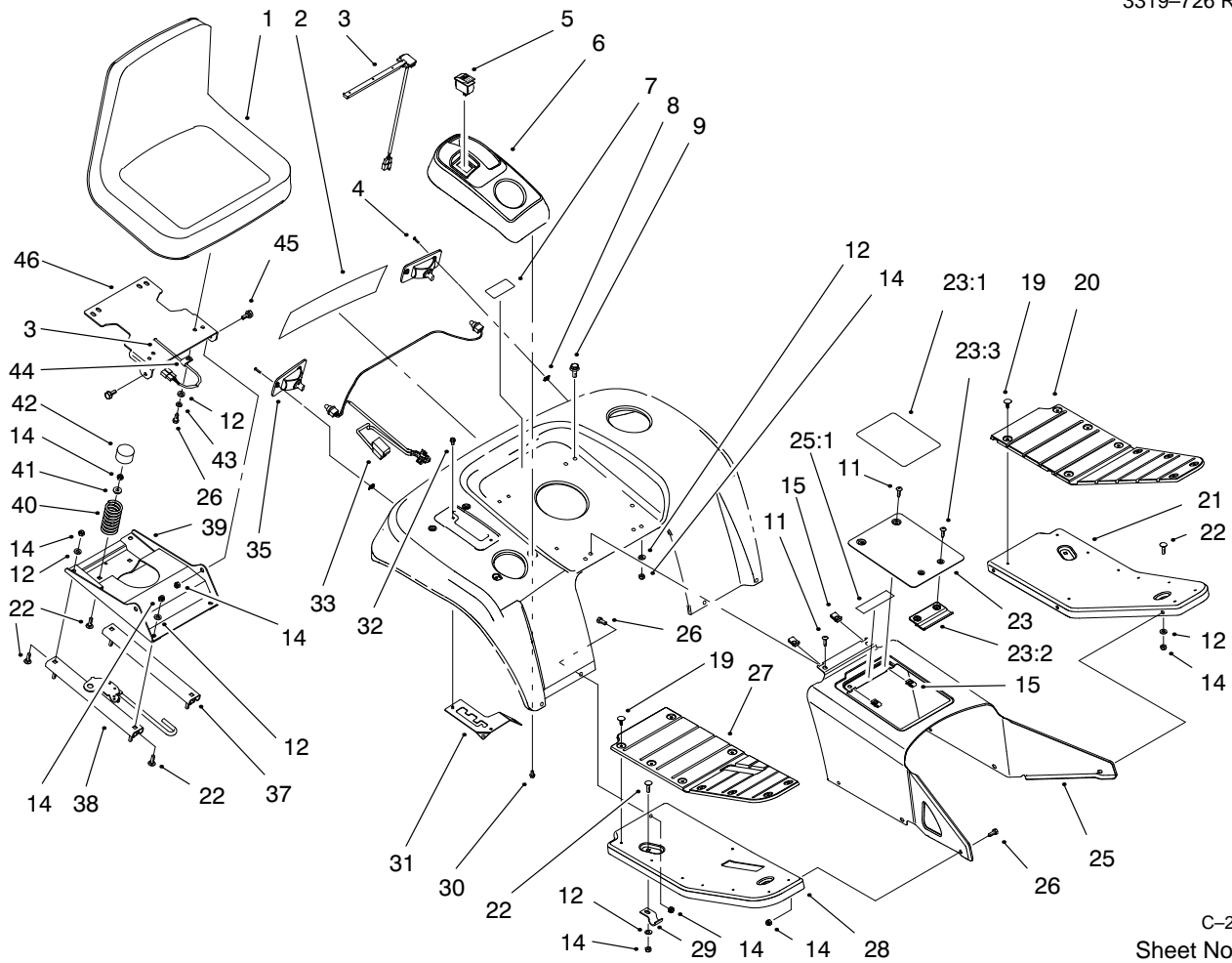


C-2736
Sheet No.:23

Fender, Footrest and Seat Assembly

Ref. No.	Part No.	Qty.	Description
1	94-3518	1	Seat V-811
2	95-4262	1	Decal-Fender
3	38-1420	1	Switch-Seat
4	3250-29	4	Screw
5	94-7602	1	Switch Cruise
6	94-2120	1	Pod-Control (Only On: 73545)
6	95-4000	1	Pod-Control (Only On: 73546)
7	76-1340	1	Decal-USA (Only On: 73545)
8	95-4115	4	Nut-Speed
9	3234-29	4	Screw-HHF
11	92-7020	4	Screw-TTH
12	3256-23	17	Washer-Flat
14	3296-29	27	Nut-Lock
15	107069	4	Nut-Panel
16	80-8760	1	Decal-Danger (Only On: 73545)
19	3290-479	18	Fastener-Panel
20	94-2096	1	Pad-Footrest
21	94-2090-01	1	Footrest
22	3230-16	10	Screw-CARR
23	98-1621	1	Tunnel Cover ASM (Only On: 73545)

Ref. No.	Part No.	Qty.	Description
23	98-1623	1	Tunnel Cover ASM (Only On: 73546)
23:1	95-4263	1	Decal-Danger (Only On: 73545)
23:1	98-1608	1	Decal-Danger (Only On: 73546)
23:2	95-4107	1	Retainer-Cover
23:4	94-4496	2	Screw
25	98-5025-01	1	Tunnel ASM (Only On: 73545)
25	98-5058-01	1	Tunnel ASM (Only On: 73546)
25:1	80-8760	1	Decal-Danger (Only On: 73545)
25:1	98-5015	1	Decal-Warning (Only On: 73546)
26	322-3	14	Screw-HH
27	94-2095	1	Pad-Footrest
28	94-2089-01	1	Footrest
29	95-3858	2	Bracket-Footrest
30	32144-20	4	Screw
31	98-8711	1	Gate-Hi Lo Shift
32	32144-4	2	Screw-TAP
33	94-7611	1	Harness-Rear
35	94-2124	2	Lamp-Taillight
37	94-2112	1	Slide-Seat

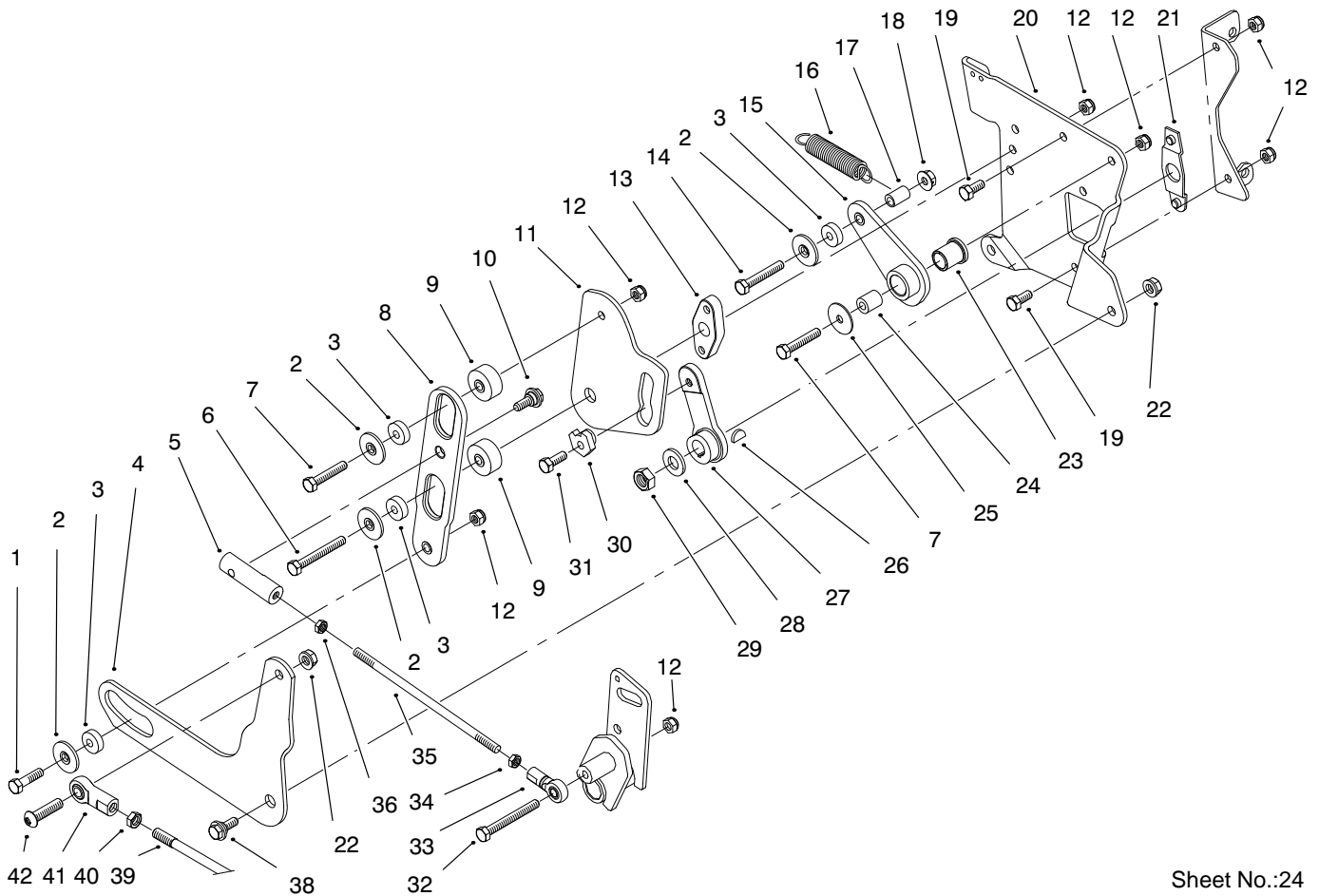


C-2736
 Sheet No.:23

Fender, Footrest and Seat Assembly (Continued)

Ref. No.	Part No.	Qty.	Description
38	94-2177	1	Seat Slide-Latch
39	94-2107-03	1	Base-Seat
40	94-2106-03	2	Spring-Compression
41	105503	2	Bushing
42	95-4242	2	Cap-Seat Spring
43	3253-4	4	Washer-Lock
44	98-2390	1	Clamp-R
45	37-8771	2	Bolt-Shoulder
46	94-2111-03	1	Mount-Seat

Ref. No.	Part No.	Qty.	Description

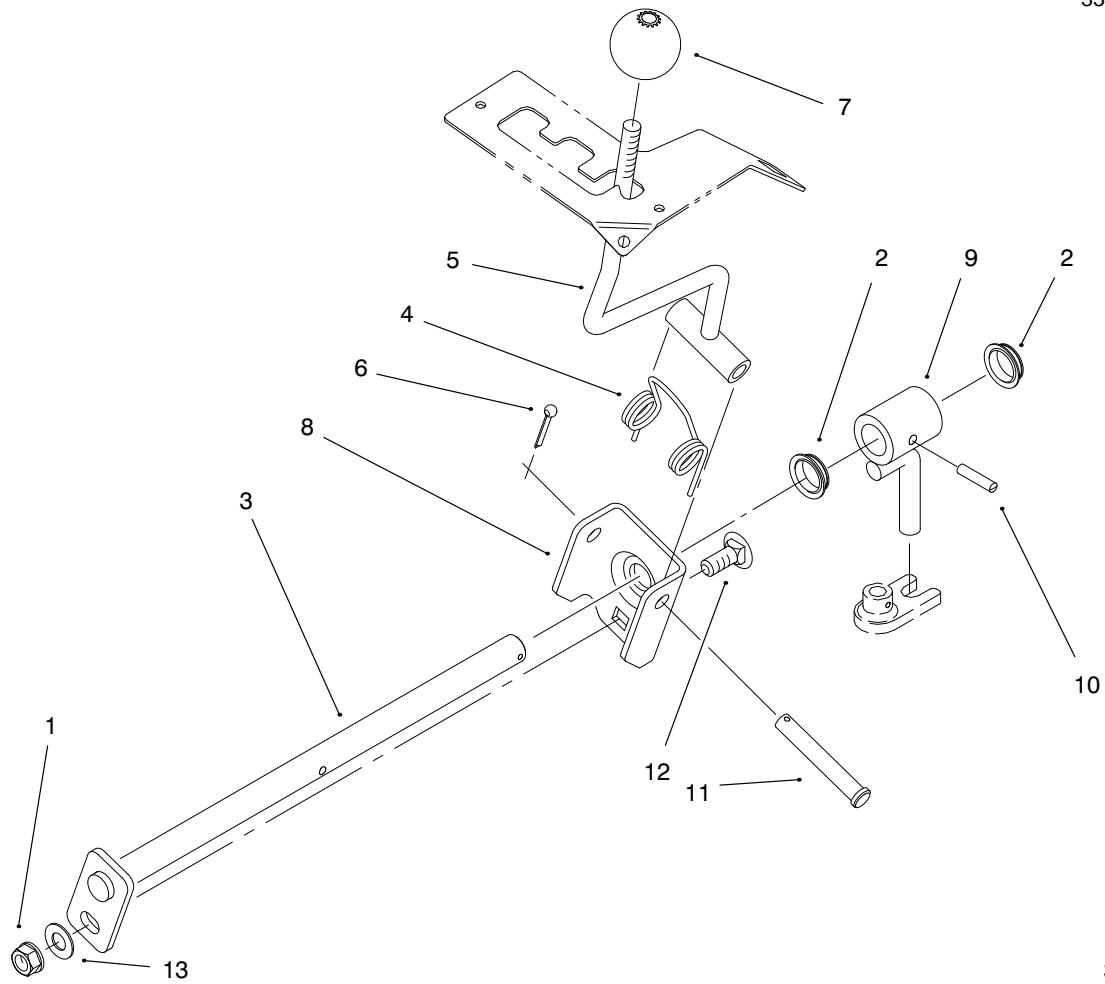


Sheet No.:24

Smart Turn Rear Assembly

Ref. No.	Part No.	Qty.	Description
1	322-6	1	Screw-HH
2	94-2313	4	Retainer-Bearing
3	95-4185	4	Bearing-Ball
4	95-3801-03	1	Slider Lift
5	94-7637	1	Rod End RH
6	322-12	1	Screw HH
7	322-9	2	Screw-HH
8	94-2144	1	Slider-Speed Control
9	94-2169	2	Standoff-Cam
10	94-7817	1	Bolt-Shoulder
11	94-2145	1	Plate-Cam
12	3296-29	7	Nut-Lock
13	94-2168	1	Standoff-Slider
14	322-10	1	Screw-HH
15	94-7586	1	Arm-Return To Neutral
16	63-1590	1	Spring-Extension
17	94-2309	1	Standoff-Spring
18	32128-30	1	Nut-Flange
19	322-3	2	Screw-HH
20	94-2149-03	1	Plate-Control
21	94-7814	1	Locater-Control Plate
22	108881	2	Nut-Hex
23	94-7913	1	Bushing-Flange
24	94-7564	1	Spacer
25	3256-57	1	Washer-Flat

Ref. No.	Part No.	Qty.	Description
26	3257-24	1	Key-Woodruff
27	94-7816	1	Arm-Speed Control
28	3256-26	1	Washer-Flat
29	3296-45	1	Nut
30	94-2468	1	Cam-Eccentric
31	95-4245	1	Screw-Thread Locking
32	322-13	1	Screw-HH
33	94-7571	1	Rod End LH
34	3220-20	1	Nut-Hex Jam
35	94-2497	1	Rod-Slider To Pivot
36	3220-2	1	Nut-Jam
38	94-7582	1	Bolt-Shoulder
39	94-7500	1	Rod-Lift Lever
40	3220-3	1	Nut-Hex Jam
41	92-7008	1	Rod End
42	95-3857	1	Screw-Button Head

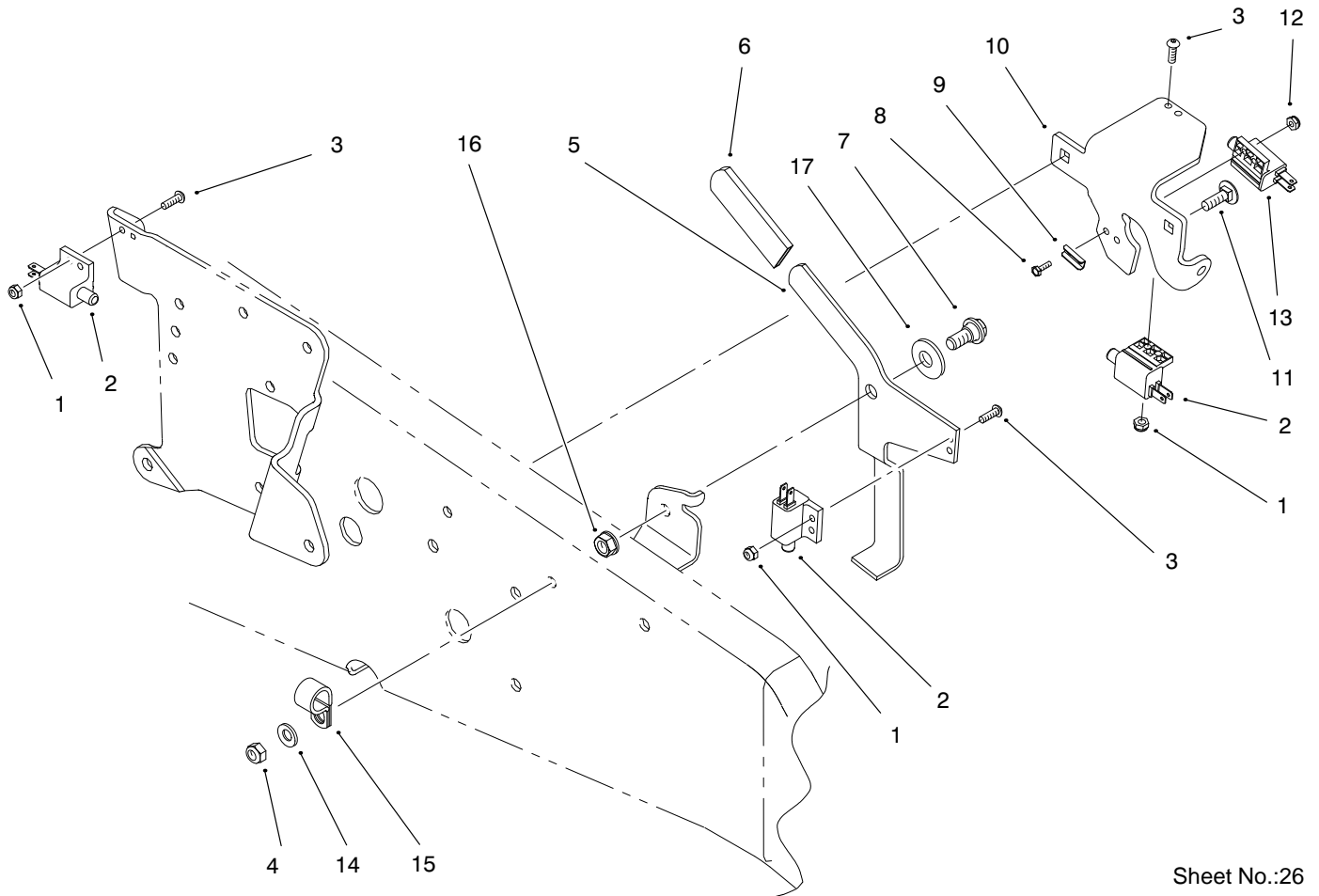


Sheet No.:25

Hi-Lo Shift Assembly

Ref. No.	Part No.	Qty.	Description
1	3296-39	1	Nut-Lock
2	86-9320	2	Bushing-Nylon
3	94-7504	1	Shift Rod
4	94-7835	1	Spring-Torsion
5	94-7833	1	Lever-Hi Lo
6	3272-10	1	Pin-Cotter
7	95-4022	1	Knob-Hi Lo Shift
8	94-7834	1	Bracket-Pivot
9	94-7507	1	Shift Rod
10	32121-16	1	Pin-Roll
11	283-47	1	Pin-Clevis
12	3231-22	1	Bolt-CARR
13	3256-24	1	Washer-Flat

Ref. No.	Part No.	Qty.	Description

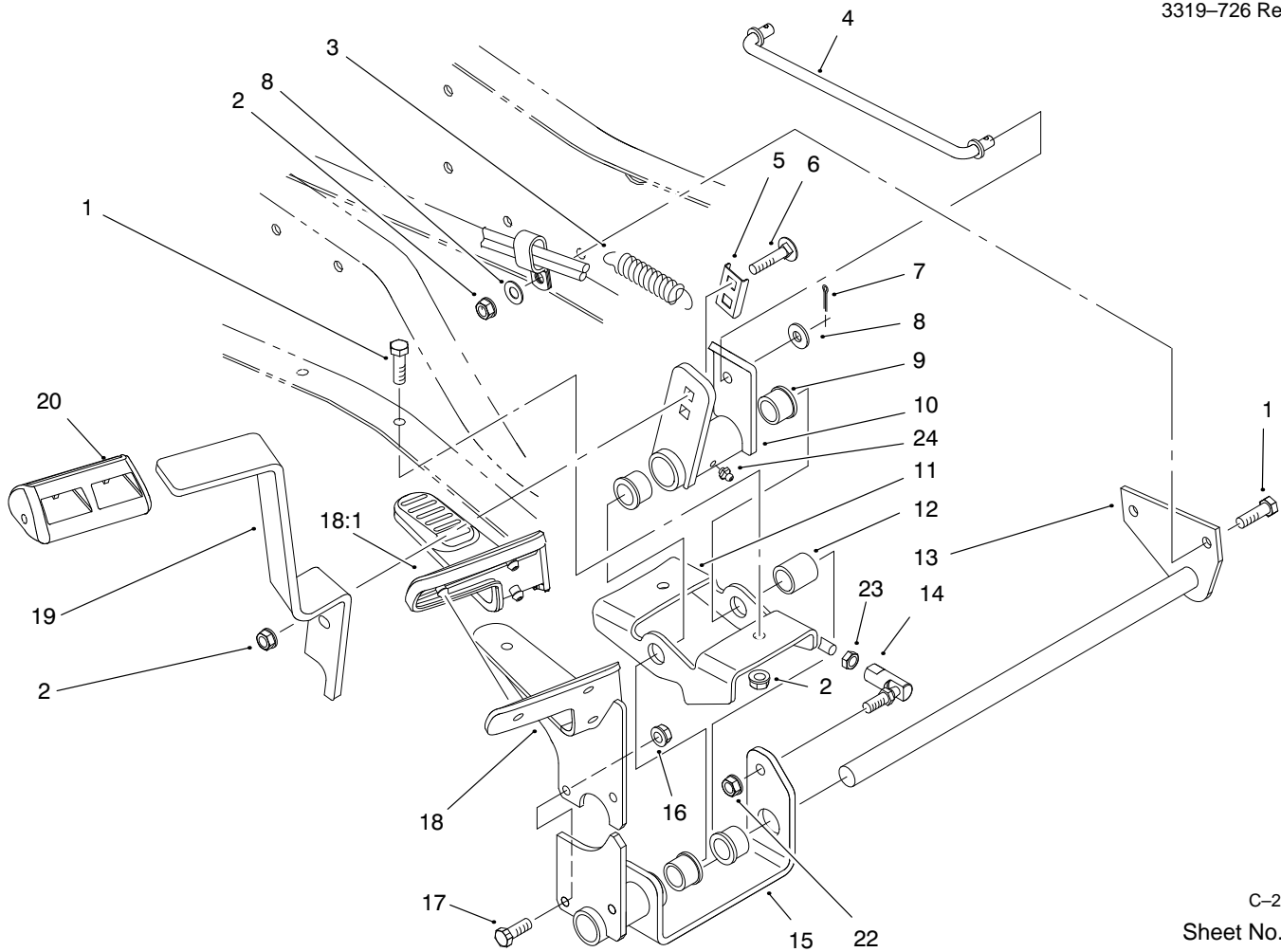


Sheet No.:26

Upper Parking Brake Assembly

Ref. No.	Part No.	Qty.	Description
1	3296-2	6	Nut Lock
2	65-7410	3	Switch-Single Pole
3	3274-14	6	Screw-HSH
4	3296-29	2	Nut-Lock
5	94-2157-03	1	Latch-Parking Brake
6	102597	1	Grip
7	94-7582	1	Bolt-Shoulder
8	3290-392	2	Screw-HH
9	94-7905	1	Retainer-Screw
10	94-7562-03	1	Bracket-Switch
11	3230-16	2	Screw-CARR
12	3296-1	2	Locknut
13	95-1653	1	Switch-Single Pole
14	3256-23	1	Washer-Flat
15	98-2358	1	Clamp-R
16	108881	1	Nut-Hex
17	98-3087	1	Washer-Power Steering

Ref. No.	Part No.	Qty.	Description

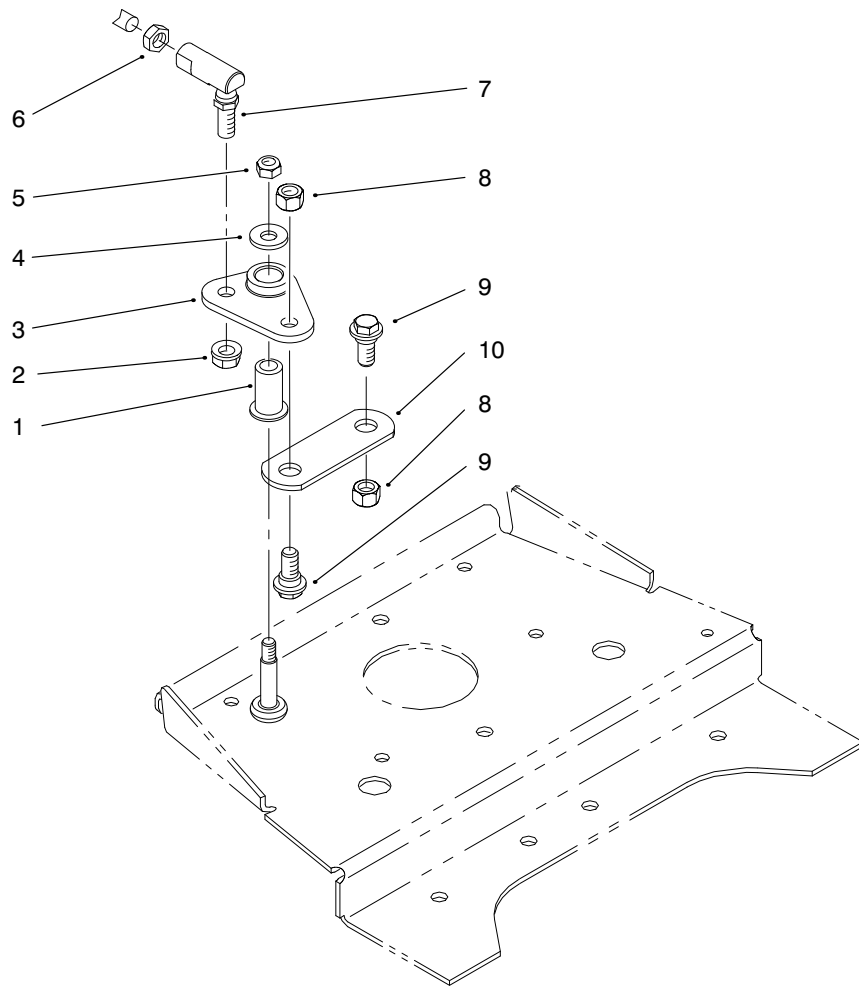


C-2737
Sheet No.:27

Hydro Controls Assembly

Ref. No.	Part No.	Qty.	Description
1	323-7	4	Screw-HH
2	3296-39	6	Nut-Lock
3	63-1590	1	Spring-Extension
4	94-2499	1	Link-Brake Pedal
5	94-7818	1	Retainer-Screw
6	3231-25	2	Screw-CARR
7	3272-10	2	Pin-Cotter
8	3256-24	3	Washer-Flat
9	98-1636	4	Bushing-Flange
10	94-2351-03	1	Brake Bracket
11	94-2343-03	1	Bracket-Support
12	94-7501	1	Spacer-Pedal
13	94-2345-03	1	Pivot Shaft
14	94-7572	1	Tie Rod End RH
15	94-2342-03	1	Bracket-Forward Reverse
16	3296-29	2	Nut-Lock
17	322-5	2	Screw-HH
18	98-7207	1	Hydro Pedal ASM
18:1	94-7824	1	Pad-Hydro Pedal
19	94-2352-03	1	Pedal-Brake
20	94-2123	1	Pad-Brake Pedal
22	3296-6	1	Nut-Lock
23	3220-3	1	Nut-Hex Jam
24	302-5	1	Fitting-Grease

Ref. No.	Part No.	Qty.	Description

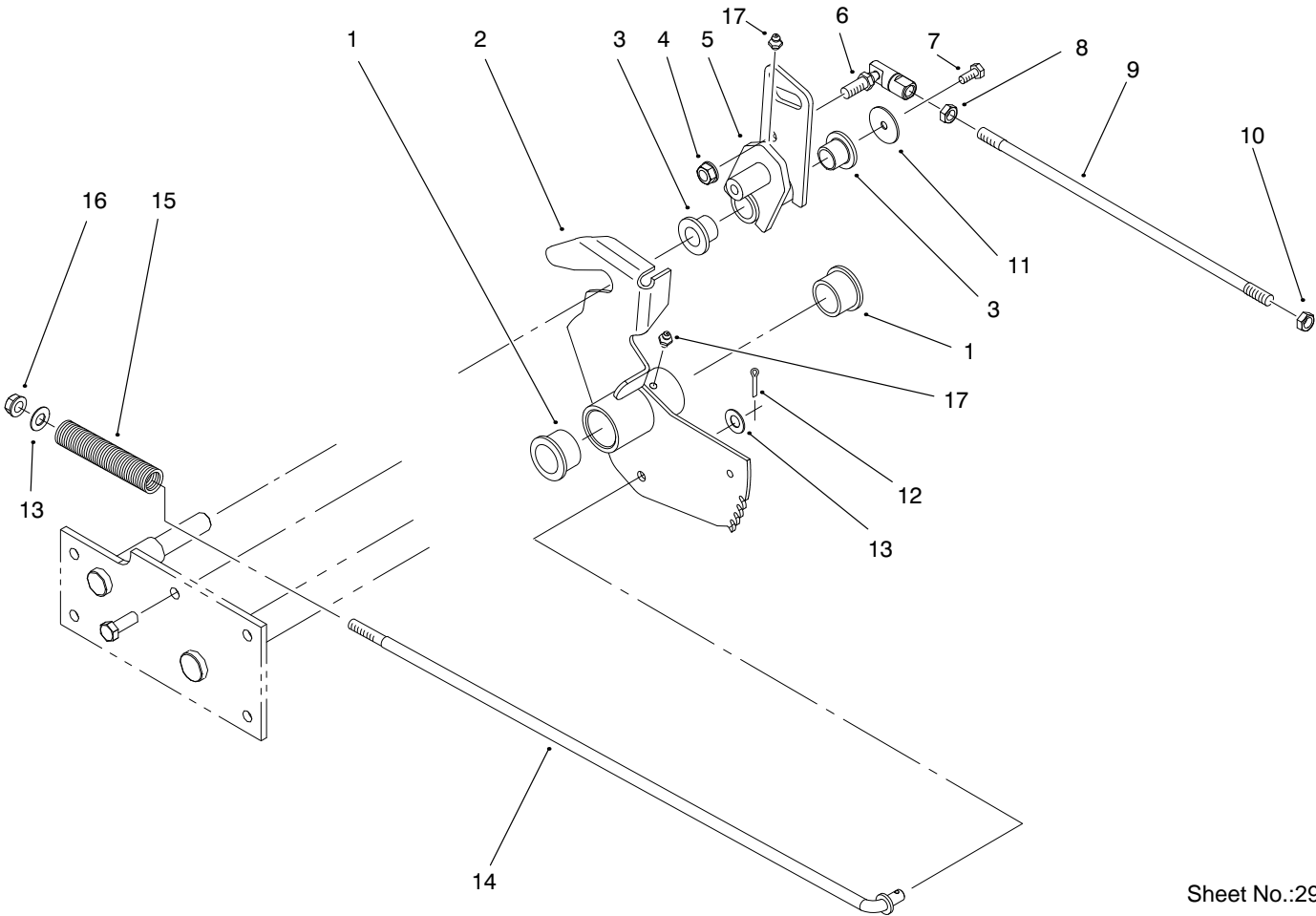


Sheet No.:28

Smart Turn Front Assembly

Ref. No.	Part No.	Qty.	Description
1	94-7919	1	Bushing
2	3296-6	1	Nut-Lock
3	94-7579	1	Lever-Slow Down
4	98-3499	1	Washer-Flat
5	3296-29	1	Nut-Lock
6	3220-16	1	Nut-HJ
7	94-7573	1	Tie Rod End LH
8	108881	2	Nut-Hex
9	94-7582	2	Bolt-Shoulder
10	94-2409	1	Link-Slow Down

Ref. No.	Part No.	Qty.	Description

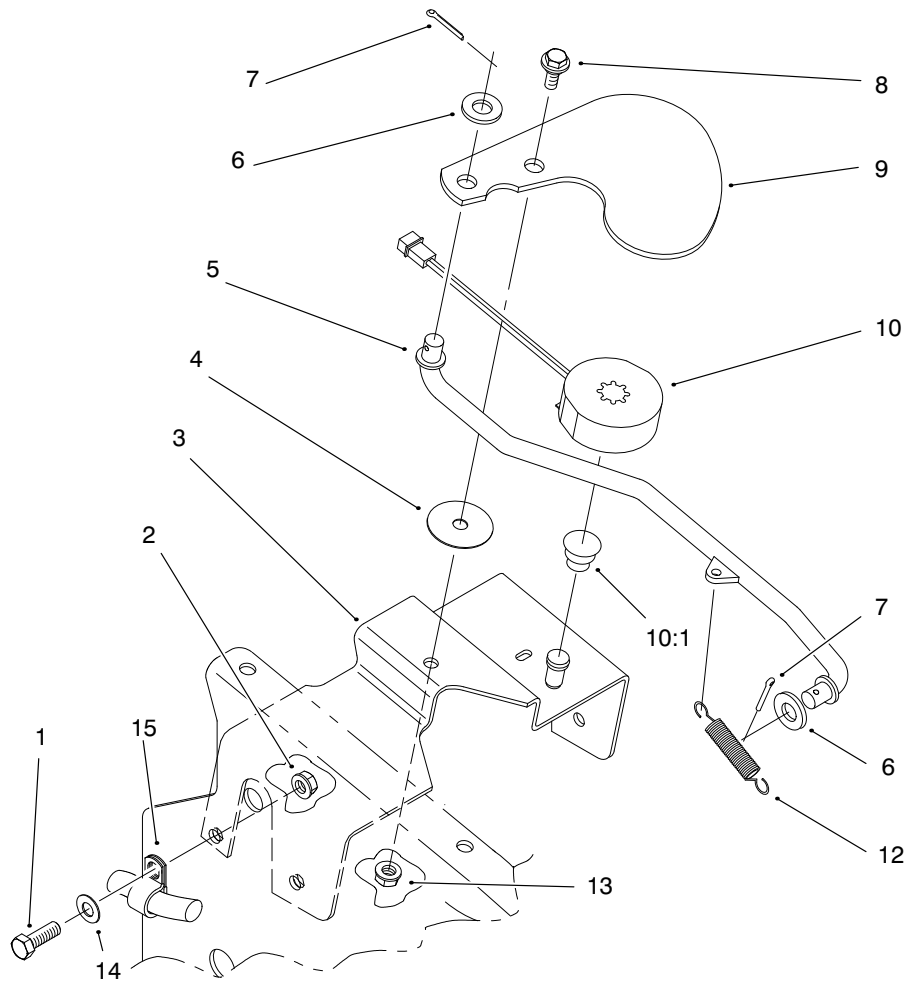


Sheet No.:29

Lower Parking Brake Assembly

Ref. No.	Part No.	Qty.	Description
1	94-7574	2	Bushing-Flanged
2	94-2375-03	1	Brake Pivot Plate
3	94-7569	2	Bushing
4	3296-6	1	Nut-Lock
5	94-2488-03	1	Hydro Pivot
6	94-7573	1	Tie Rod End LH
7	94-7955	1	Screw-Lock
8	3220-16	1	Nut-HJ
9	94-2498	1	Rod-Pivot To Pedal
10	3220-3	1	Nut-Hex Jam
11	3256-55	1	Washer-Flat
12	3272-10	1	Pin-Cotter
13	3256-24	2	Washer-Flat
14	94-2393	1	Rod-Brake
15	94-7906	1	Spring-Compression
16	3296-39	1	Nut-Lock
17	302-5	2	Fitting-Grease

Ref. No.	Part No.	Qty.	Description

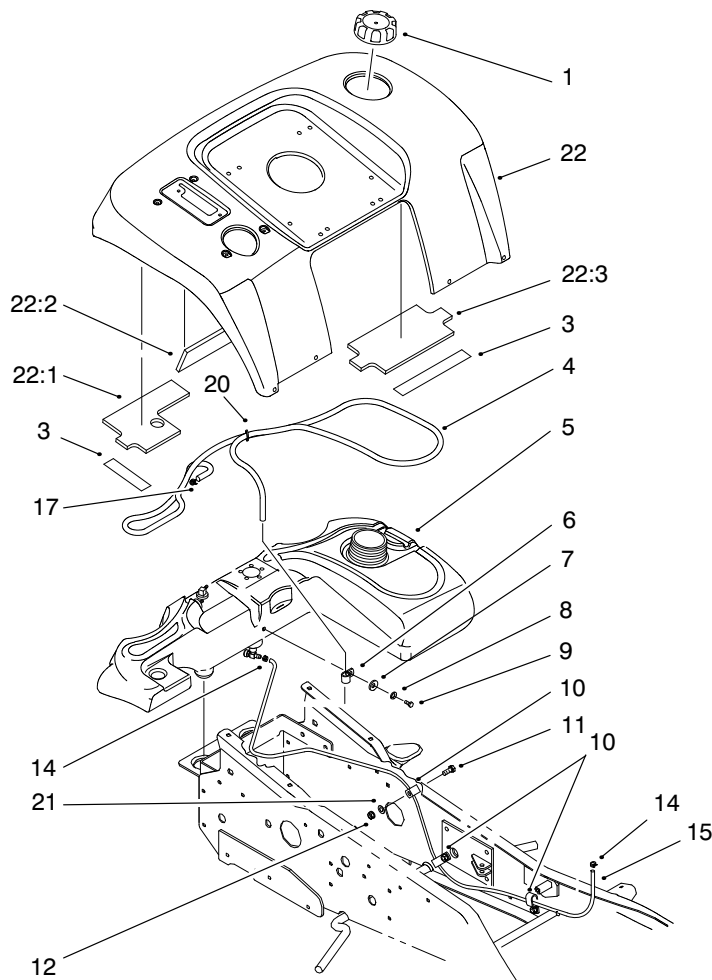


Sheet No.:30

Cruise Control Assembly

Ref. No.	Part No.	Qty.	Description
1	323-6	4	Screw-HH
2	3296-39	4	Nut-Lock
3	94-2494-03	1	Bracket-Cruise Control
4	94-7575	1	Spacer-Cruise
5	94-7980	1	Rod-Cruise Control
6	3256-26	2	Washer-Flat
7	3272-10	2	Pin-Cotter
8	94-7582	1	Bolt-Shoulder
9	94-2158	1	Plate-Magnet
10	93-4366	1	Magnet ASM
10:1	93-6601	1	Spring
12	66-4160	1	Spring
13	108881	1	Nut-Hex
14	3256-24	2	Washer-Flat
15	98-2358	2	Clamp-R

Ref. No.	Part No.	Qty.	Description

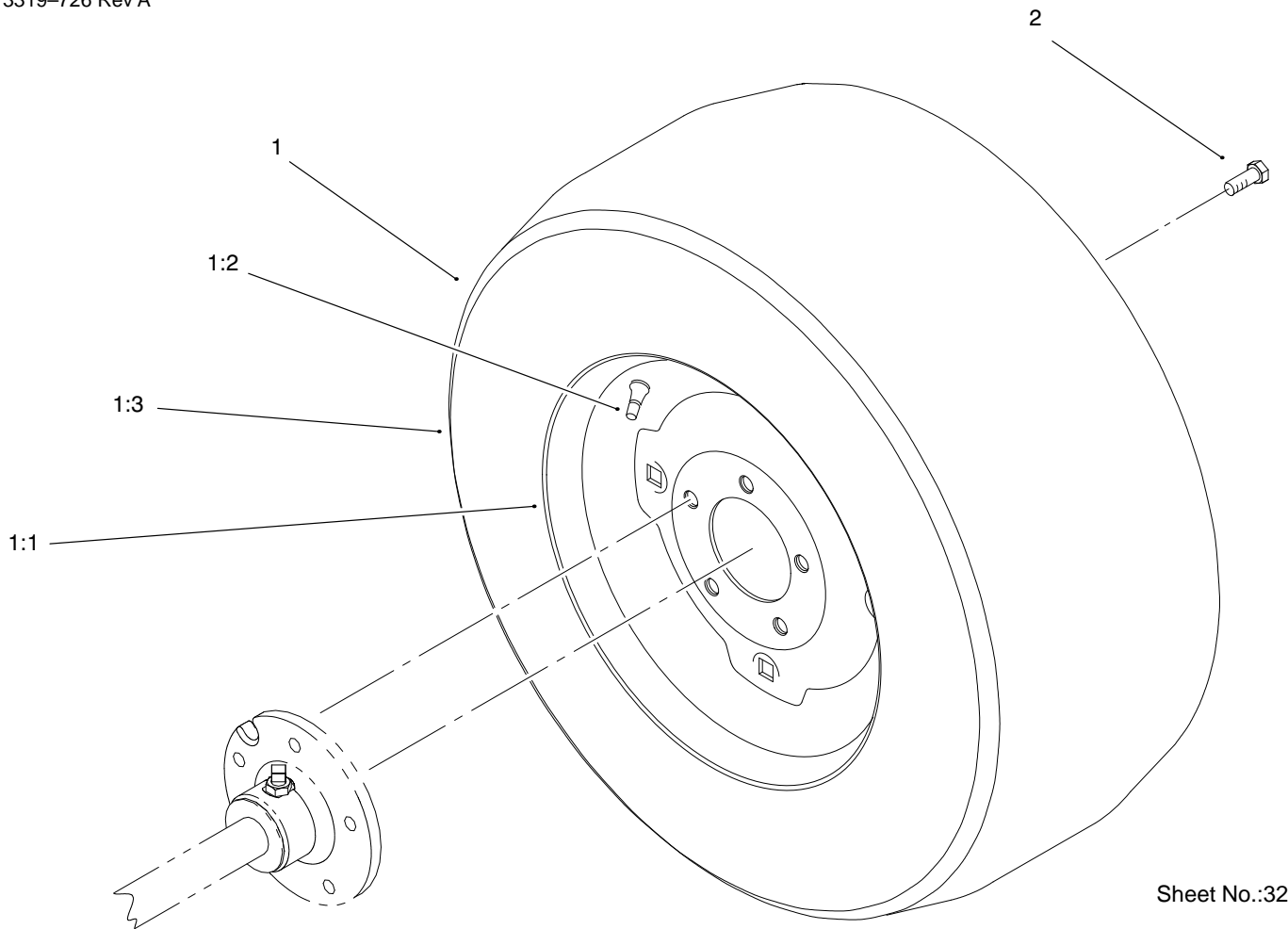


C-2738
Sheet No.:31

Fender and Fuel System Assembly

Ref. No.	Part No.	Qty.	Description	Ref. No.	Part No.	Qty.	Description
1	95-4192	1	Gas Cap ASM-Unleaded	21	3256-24	1	Washer-Flat
3		1	Tape	22	98-7208	1	Rear Body ASM
4	95-4186	1	Hose-Vent	22:1	95-4159	1	Foam-Tank LH
5	95-3809	1	Tank-Gas	22:2	95-4158	1	Foam-Tank RH
*5:1	98-3050	1	Fitting Orifice	22:3	95-4157	1	Foam-Tank Center
*5:2	104047	1	Bushing				
*5:3	99-3716	1	Fitting-Fuel Shut Off				
*5:4	2412-36	1	Clamp				
*5:5	95-3971	1	Sender-Fuel level				
*5:6	99-2326	1	Gasket-Fuel Sender				
*5:7	3250-31	5	Screw				
*5:8	3253-17	5	Lockwasher				
*5:9	95-3968	1	Fitting				
*5:10	98-7390	1	Gage				
6	2412-94	1	R-Clamp				
7	3256-22	1	Washer-Flat				
8	3253-3	1	Washer-Lock				
9	321-3	1	Screw-HH				
10	98-1616	3	Clamp-Tube				
11	323-6	1	Screw-HH				
12	3296-39	1	Nut-Lock				
14	95-4271	2	Clamp-Hose				
15	95-4274	1	Hose-Fuel				
17	94-8189	1	Clamp-Hose				
20	614249	1	Tie Strap				

* Not Illustrated

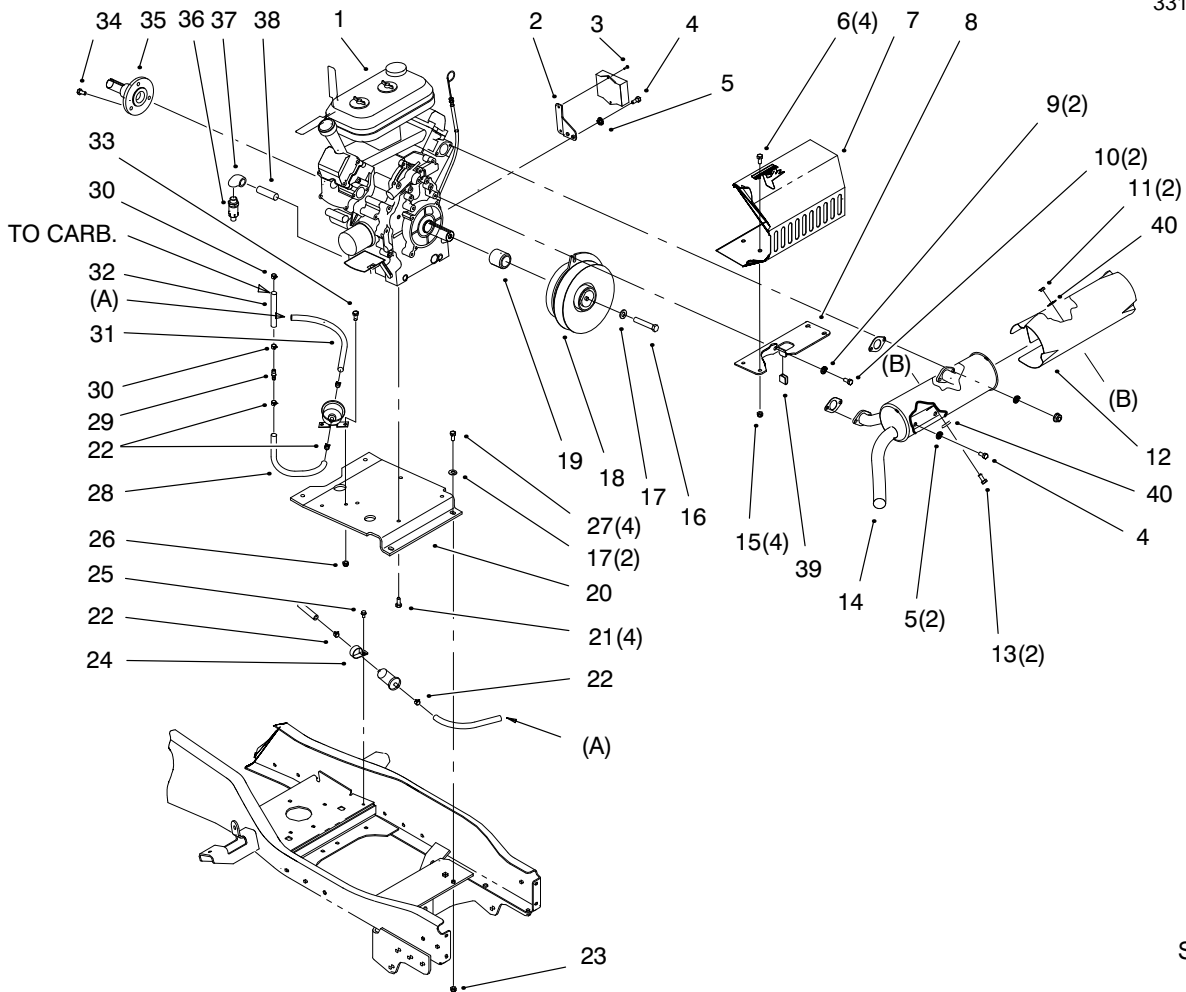


Wheel Assembly

Ref. No.	Part No.	Qty.	Description
1	94-2194	2	Rear Wheel & Tire ASM (Only On: 73545)
1	95-4086	2	Rear Wheel & Tire ASM (Only On: 73546)
1:1	94-2193	2	Tire (Only On: 73545)
1:1	95-4087	2	Tire (Only On: 73546)
1:2	5108	2	Valve-Tire Tubeless
1:3	110680	2	Wheel
2	83-2720	10	Bolt-Lug
*	7007	2	Tube-Inner

Ref. No.	Part No.	Qty.	Description

* Not Illustrated

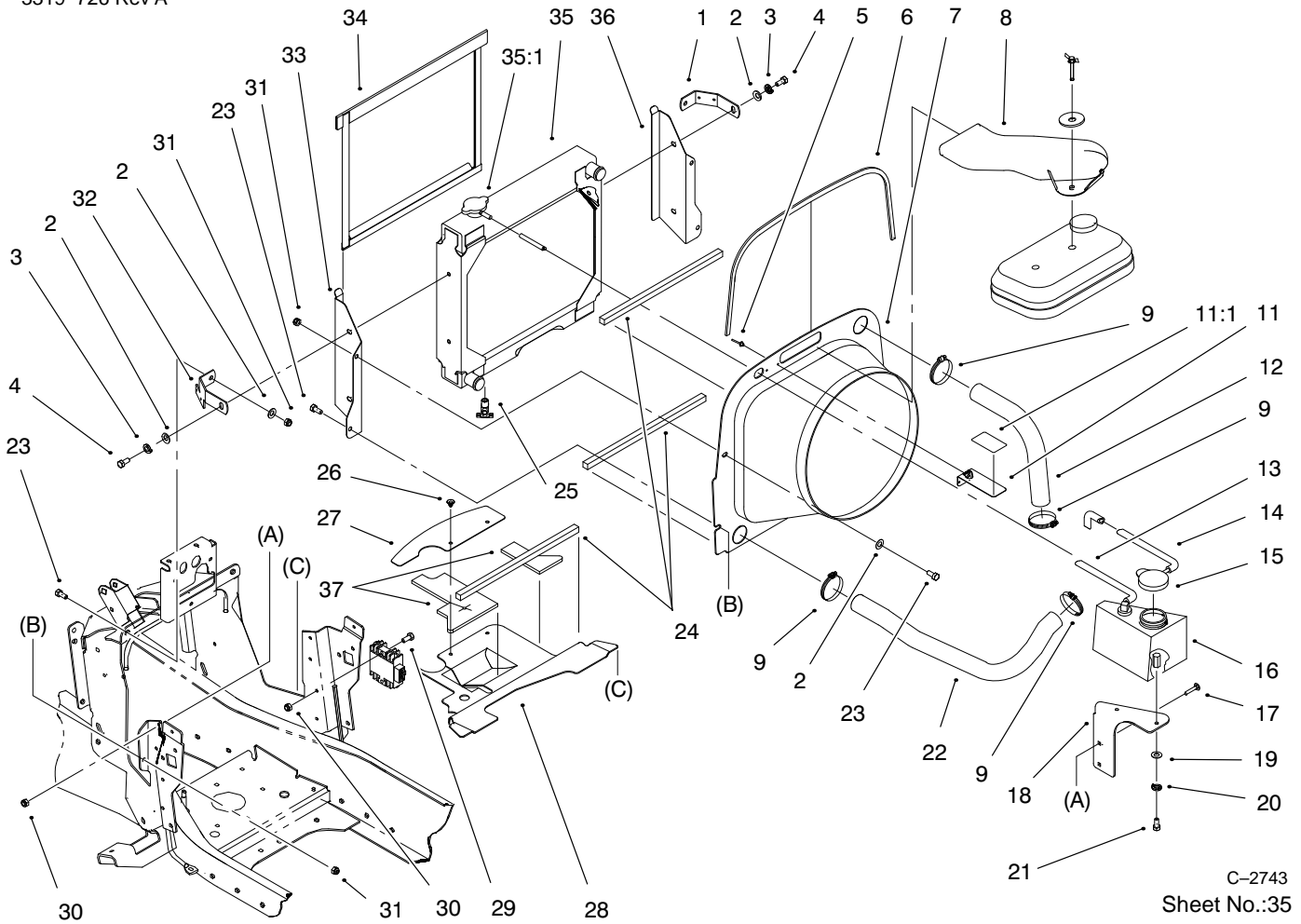


Sheet No.:34

Liquid Cooled Gas Engine Assembly

Ref. No.	Part No.	Qty.	Description
1	98-8063	1	Engine Service ASM
2	95-4063-03	1	Bracket-Kawasaki
3	32144-4	2	Screw-TAP
4	33114-016	4	Screw-HH
5	3253-4	4	Washer-Lock
6	322-3	4	Screw-HH
7	94-7523-03	1	Shroud-Muffler
8	94-7631-03	1	Support-Muffler
9	3253-5	2	Washer-Lock
10	323-6	2	Screw-HH
11	32152-4	2	Locknut
12	95-3990	1	Reflector-Heat
13	321-3	2	Screw-HH
14	94-7557	1	Muffler-Kawaski
15	32153-3	4	Nut
16	94-7974	1	Screw-Cap
17	3256-24	3	Washer-Flat
18	94-2190	1	Clutch-PTO
19	94-2068	1	Spacer-Clutch
20	94-7848-03	1	Plate-Engine
21	95-4184	4	Screw-Threadlocking
22	95-4271	4	Clamp-Hose
23	3296-39	4	Nut-Lock
24	2412-104	1	Clamp
25	32144-70	1	Screw-TAP

Ref. No.	Part No.	Qty.	Description
26	3296-8	2	Nut-Lock
27	323-7	4	Screw-HH
28	95-4276	1	Hose-Fuel
29	95-4061	1	Fitting-Barbed
30	2412-98	2	Clamp-Hose
31	95-4275	1	Hose-Fuel
32	95-4277	1	Hose-Fuel
33	321-3	2	Screw-HH
34	95-4232	3	Screw-Threadlocking
35	94-2066	1	Hub-Drive
36	92-6877	1	Valve-Oil Drain
37	2811-16	1	Elbow-90°
38	289-51	1	Nipple-Pipe
39	98-5023	1	Bumper
40	3256-22	4	Washer-Flat



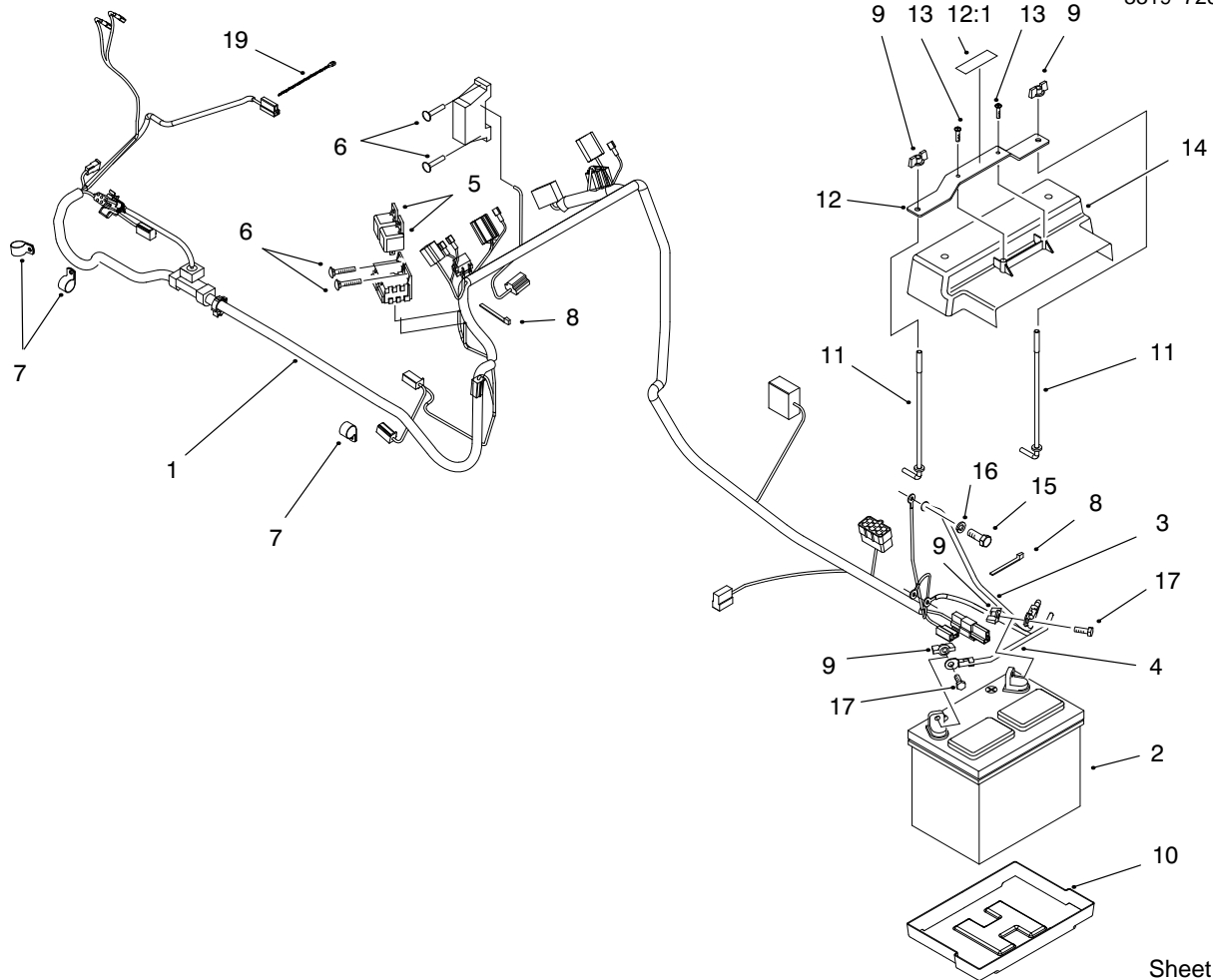
C-2743

Sheet No.:35

Liquid Cooled Gas Engine Assembly (Continued)

Ref. No.	Part No.	Qty.	Description
1	94-7644-03	1	Strap-Radiator
2	3256-23	6	Washer-Flat
3	3253-4	4	Washer-Lock
4	322-2	4	Screw-HH
5	3269-12	2	Rivet-Pop
6	98-7216	1	Trim-Loc
7	94-7911	1	Shroud-Fan
8	94-7891	1	Duct-Air
9	95-4271	4	Clamp-Hose
11	98-5024	1	Bracket ASM
11:1	95-4143	1	Decal-Warning
12	95-4268	1	Hose-Radiator
13	62-2470	1	Hose-Gas Line Long
14	95-4227	1	Hose-Overflow
15	95-4191	1	Cap-Coolant
16	95-4017	1	Bottle-Overflow
17	3229-1	2	Bolt-CARR
18	95-4080-03	1	Bracket-Bottle
19	3256-22	2	Washer-Flat
20	3253-3	2	Washer-Lock
21	321-3	2	Screw-HH
22	95-4269	1	Hose-Radiator
23	322-5	6	Screw-HH
24	95-4161	3	Foam-Radiator
25	95-4142	1	Valve-Drain
26	95-4237	2	Rivet-Plastic

Ref. No.	Part No.	Qty.	Description
27	95-4170	1	Baffle-Tower Rear
28	94-7956	1	Baffle-Tower
29	321-8	2	Screw-HH
30	3296-8	4	Nut-Lock
31	3296-29	6	Nut-Lock
32	98-3590-03	1	Bracket-Relay
33	94-7645-03	1	Support-Radiator RH
34	98-1643-03	1	Screen-Chaff
35	94-7601	1	Radiator
35:1	93-5957	1	Cap-Radiator
36	94-7646-03	1	Support-Radiator LH
37	98-5026	1	Foam-Baffle



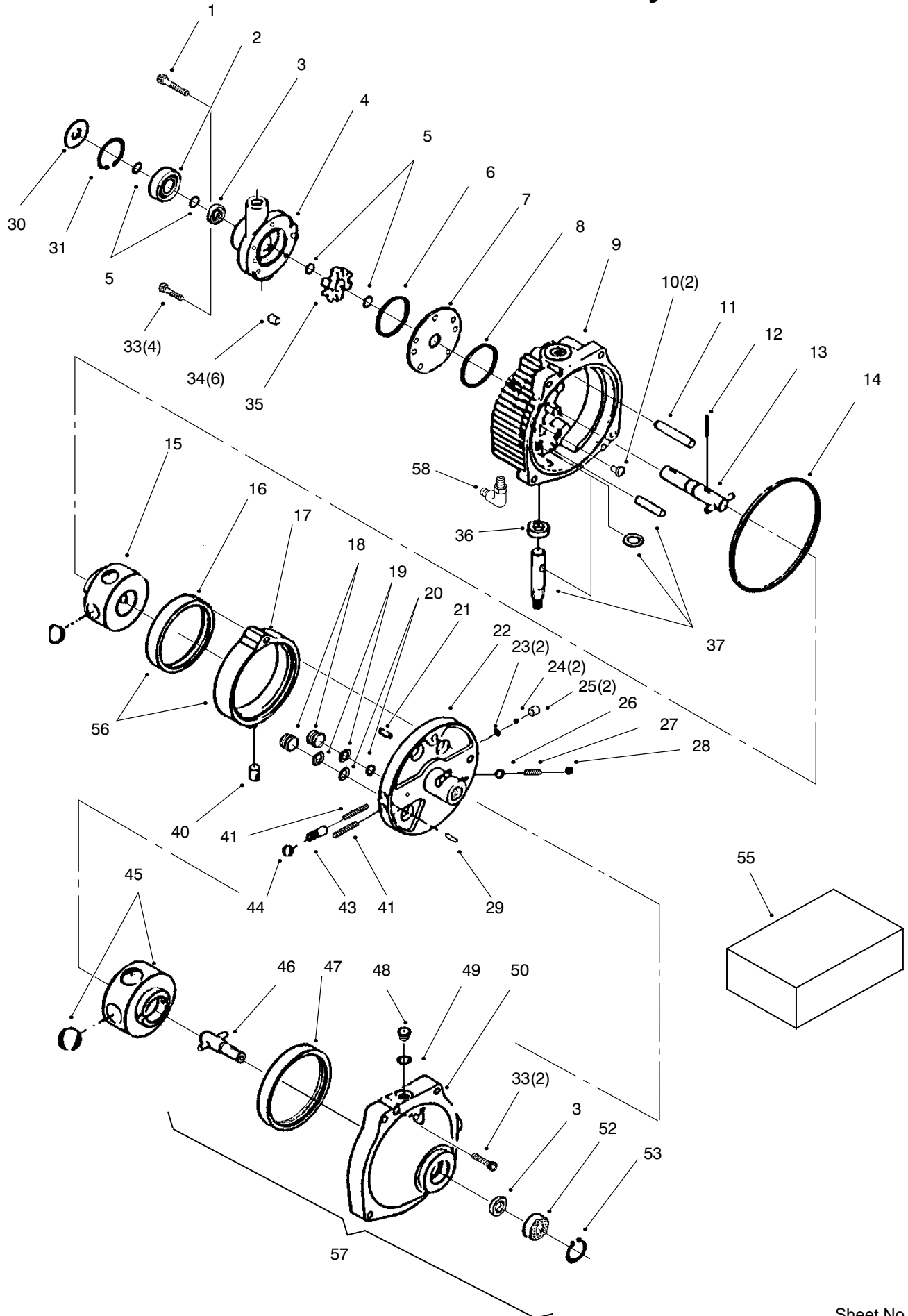
C-2742
Sheet No.:49

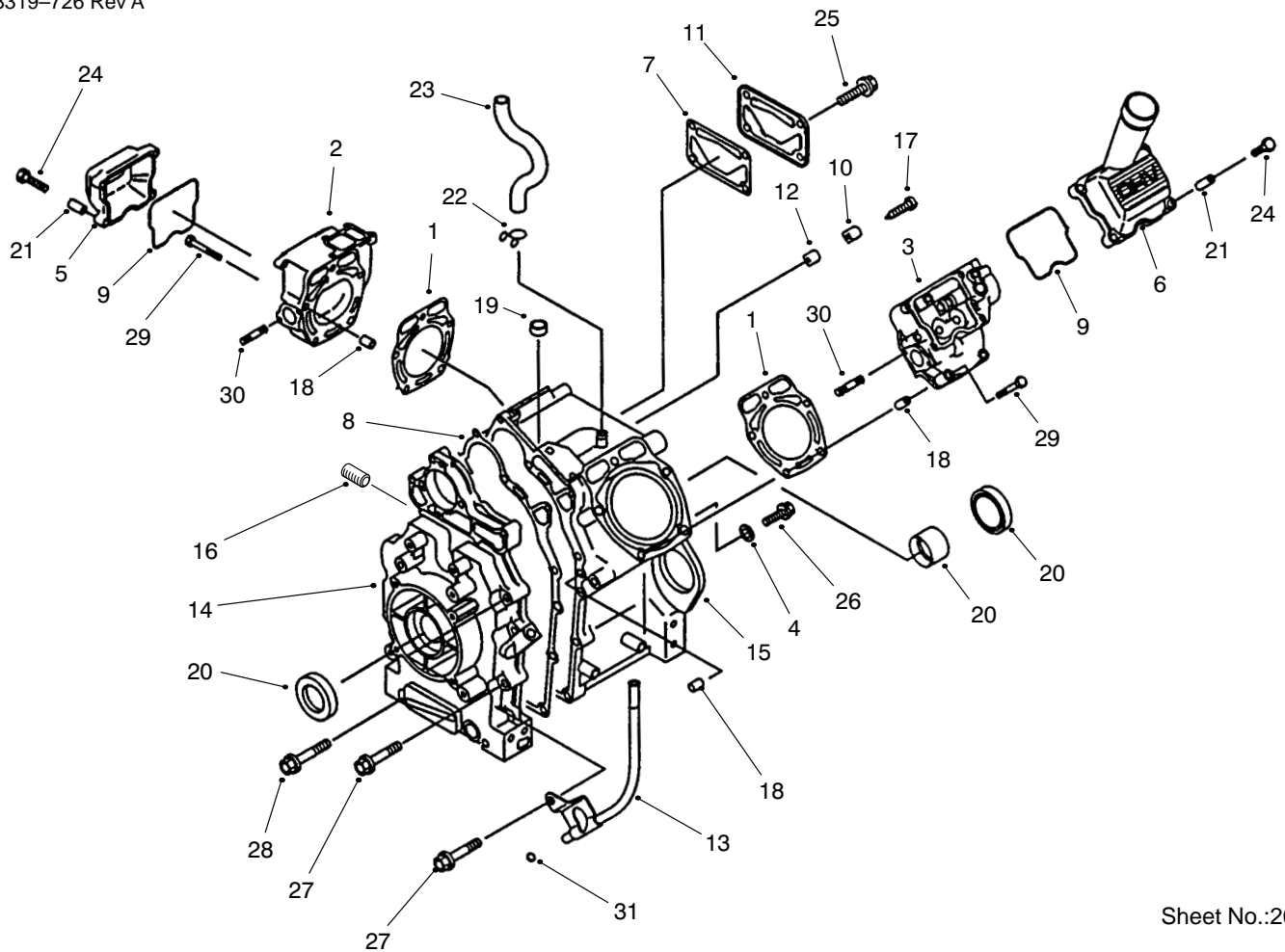
Electrical Assembly

Ref. No.	Part No.	Qty.	Description
1	94-7605	1	Harness-Main
2	94-1867	1	Battery
3	95-7855	1	Cable-Battery
4	98-5011	1	Cable-Battery
5	98-7249	2	Relay
6	12-5450	4	Screw-Thread Forming
7	98-2358	3	Clamp-R
8	614249	2	Tie Strap
9	32103-22	4	Nut-Wing
10	106948	1	Tray-Battery
11	95-4042	2	Hold Down-Battery
12	98-5056	1	Strap ASM
12:1	93-1265	1	Decal-Hot
13	94-4496	2	Screw
14	95-4044	1	Shield-Battery (Only On: 73545)
14	95-4092	1	Shield-Battery (Only On: 73546)
15	323-4	1	Screw-HH
16	3253-21	1	Washer-Lock
17	321-4	2	Screw-HH
19	98-5072	1	Tie-Cable
*	218-578	2	!0 Amp Fuse
*	109102	1	25 Amp Fuse
*	NN10277	1	30 Amp Fuse

Ref. No.	Part No.	Qty.	Description

Transmission Assembly

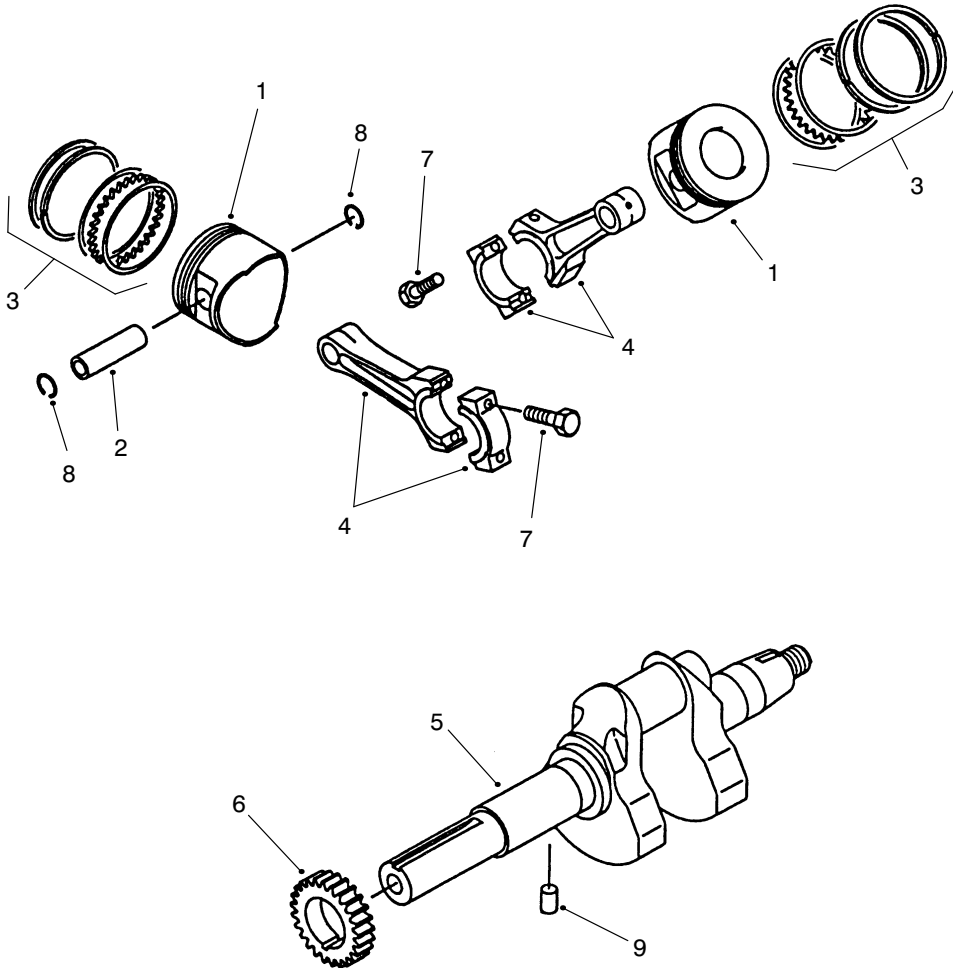




Sheet No.:202

Crankcase Assembly

Ref. No.	Part No.	Qty.	Description	Ref. No.	Part No.	Qty.	Description
1	95-9700	2	Gasket-Head	26	95-9722	2	Bolt-Flanged
2	95-9701	1	Head-Cylinder	27	Kw10035	6	Bolt-Flanged
3	95-9702	1	Head-Cylinder	28	95-9723	2	Bolt-Flanged
4	95-9703	2	Gasket	29	95-9724	10	Bolt-Flanged
5	95-9704	1	Cover-Rocker	30	95-9725	4	Bolt-Stud
6	95-9705	1	Cover-Rocker	31	95-9726	1	Seal-O-Ring
7	95-9706	1	Gasket-Breather				
8	95-9707	1	Gasket-Crankcase Cover				
9	95-9708	2	Gasket-Rocker Cover				
10	95-9709	1	Plate				
11	95-9710	1	Cover				
12	95-9711	1	Valve				
13	98-7369	1	Pipe-Oil Level				
14	95-9713	1	Cover-Crankcase				
15	95-9714	1	Crankcase Assembly				
16	95-9715	1	Joint				
17	95-9716	1	Screw				
18	93-8512	6	Pin				
19	Kw10227	1	Seal-Oil				
20	95-9717	2	Seal-Oil				
21	95-9719	8	Collar				
22	95-9720	1	Clamp				
23	95-9721	1	Tube				
24	93-8548	8	Bolt-Flanged				
25	93-8679	4	Bolt-Flanged				

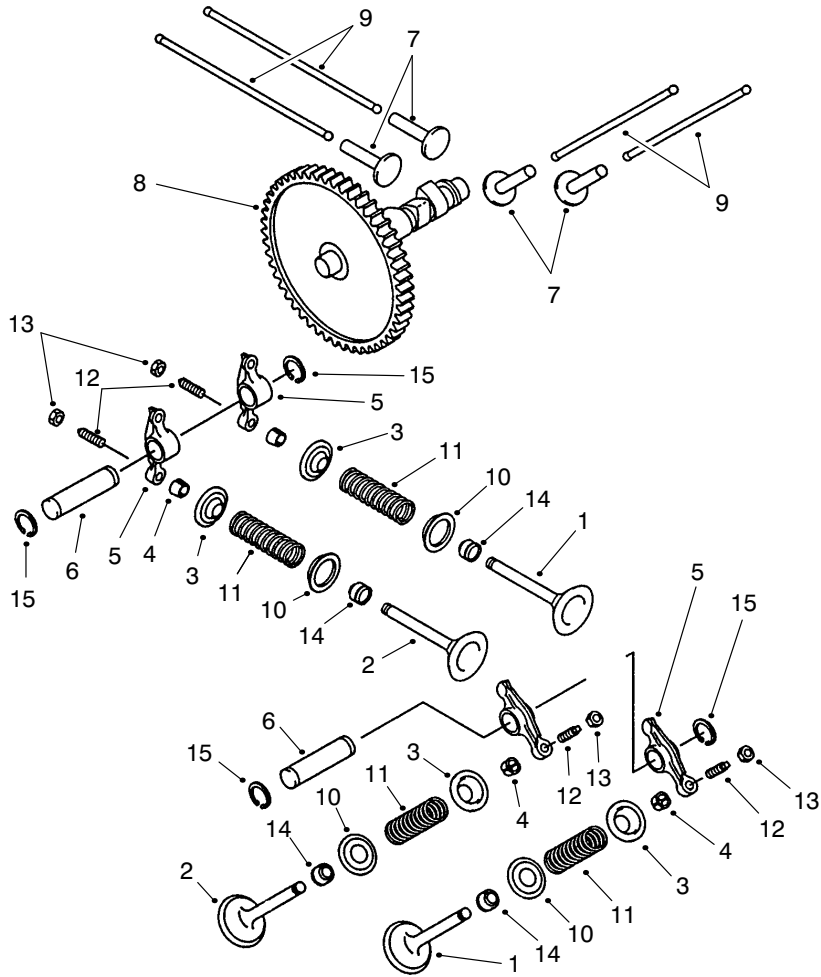


Sheet No.:203

Piston & Crankshaft Assembly

Ref. No.	Part No.	Qty.	Description
1	95-6331	2	Piston-Engine L
1	95-6332	2	Piston-Engine L
1	95-9727	2	Piston-STD.
2	95-9728	2	Pin-Piston
3	95-6333	2	Ring-Set-Piston L
3	95-6334	2	Ring-Set-Piston L
3	95-9729	2	Piston Ring Set-STD.
4	95-6335	2	Connecting Rod ASM.50 Os
4	95-9734	2	Connecting Rod ASM
5	95-9736	1	Crankshaft ASM
6	95-9737	1	Gear-Spur
7	95-9738	4	Bolt
8	95-9739	4	Ring-Snap
9	95-9740	1	Pin-Dowel

Ref. No.	Part No.	Qty.	Description

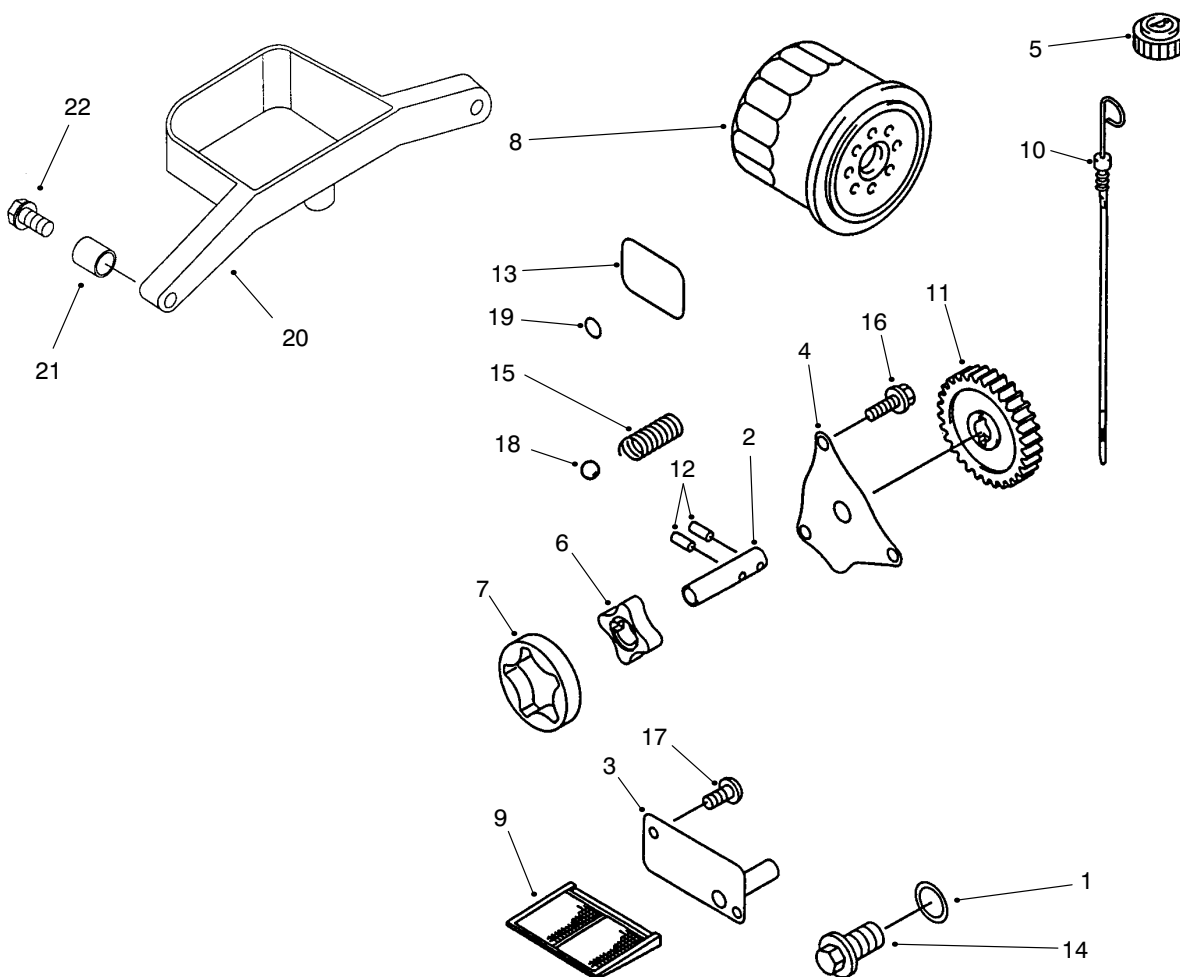


Sheet No.:204

Valve/Camshaft Assembly

Ref. No.	Part No.	Qty.	Description
1	95-9741	2	Valve-Intake
2	95-9742	2	Valve-Exhaust
3	95-9743	4	Retainer-Valve Spring
4	95-9744	4	Collet
5	95-9745	4	Arm-Rocker
6	95-9746	2	Shaft-Rocker
7	93-8539	4	Tappet
8	95-9747	1	Camshaft-Valve
9	95-9748	4	Rod-Push
10	95-9749	4	Retainer-Spring
11	95-9750	4	Spring-Valve
12	95-9751	4	Screw-Adjustment
13	95-9752	4	Nut
14	95-9753	4	Seal-Oil
15	95-9754	4	Circlip

Ref. No.	Part No.	Qty.	Description

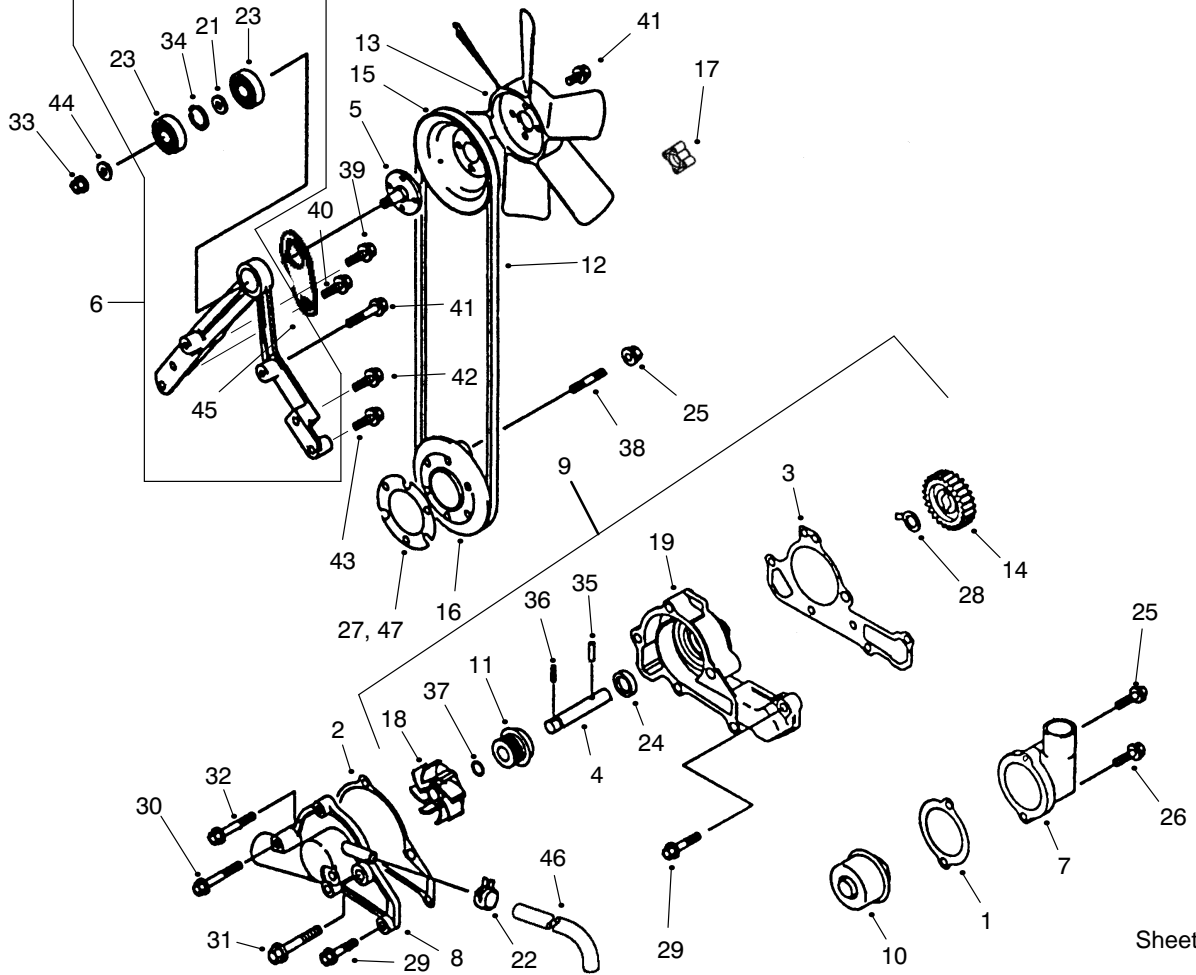


Sheet No.:205

Oil Pump & Filter Assembly

Ref. No.	Part No.	Qty.	Description
1	95-9755	1	Gasket
2	95-9756	1	Shaft
3	95-9757	1	Plate
4	95-9758	1	Cover
5	95-9759	1	Cap-Oil Filter
6	95-9760	1	Rotor-Pump
7	95-9761	1	Rotor-Pump
8	Kw10761	1	Filter-Oil
9	95-9762	1	Filter-Oil
10	98-7371	1	Gauge-Oil
11	95-9764	1	Gear-Spur
12	95-9765	2	Pin
13	95-9766	1	O Ring
14	95-9767	1	Plug
15	95-9768	1	Spring
16	93-8566	3	Bolt-Flanged
17	95-9769	2	Screw-Pan
18	95-9770	1	Ball-Steel
19	95-9771	1	O Ring
20	98-7370	1	Receiver-Oil
21	98-7372	2	Collar
22	Kw10513	2	Bolt-Flanged

Ref. No.	Part No.	Qty.	Description

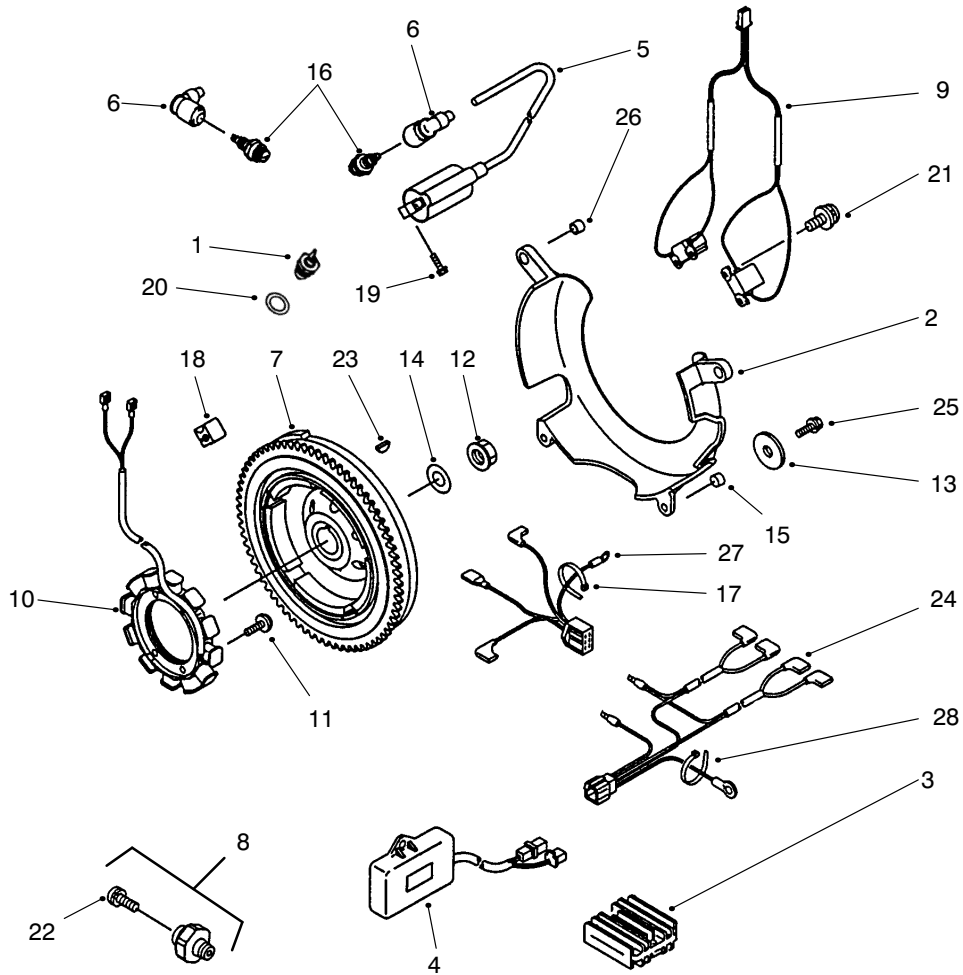


Sheet No.:206

Water Pump Assembly

Ref. No.	Part No.	Qty.	Description
1	95-9772	1	Gasket
2	95-9773	1	Gasket
3	95-9774	1	Gasket
4	95-9776	1	Shaft
5	95-9777	1	Shaft
6	95-9778	1	Housing-ASM
7	95-9779	1	Cover
8	95-9780	1	Cover-Pump
9	95-9781	1	Pump-Water
10	95-9782	1	Thermostat
11	95-9783	1	Seal-Mechanical
12	95-9784	1	Fan Belt
13	95-9785	1	Cooling Fan
14	95-9786	1	Gear-Spur
15	95-9787	1	Pulley
16	95-9788	1	Pulley
17	95-9789	1	Fan Spacer
18	95-9791	1	Impeller
19	95-9792	1	Case-Pump
20	95-9799	2	Bolt
21	95-9795	1	Spacer
22	95-9796	2	Clamp
23	95-9797	2	Ball Bearing
24	95-9798	1	Oil Seal
25	95-9793	3	Nut
26	95-9800	1	Bolt

Ref. No.	Part No.	Qty.	Description
27	95-9802	A/R	Shim
28	95-9803	1	Washer
29	95-9804	3	Bolt-Flanged
30	95-9805	1	Bolt-Flanged
31	95-9806	1	Bolt-Flanged
32	95-9807	1	Bolt-Flanged
33	95-9808	1	Nut-Hex-Fine
34	95-9809	1	Circlip
35	95-9765	1	Pin
36	95-9810	1	Pin-Dowel
37	95-9812	1	O Ring
38	Kw10545	3	Bolt-Stud
39	Kw10513	1	Bolt-Flanged
40	Kw10031	1	Bolt-Flanged
41	Kw10030	6	Bolt-Flanged
42	Kw10516	1	Bolt-Flanged
43	Kw10035	1	Bolt-Flanged
44	93-8668	1	Washer
45	98-7394	1	Bracket
46	98-7373	1	Hose-Coolant
47	95-9801	A/R	Shim

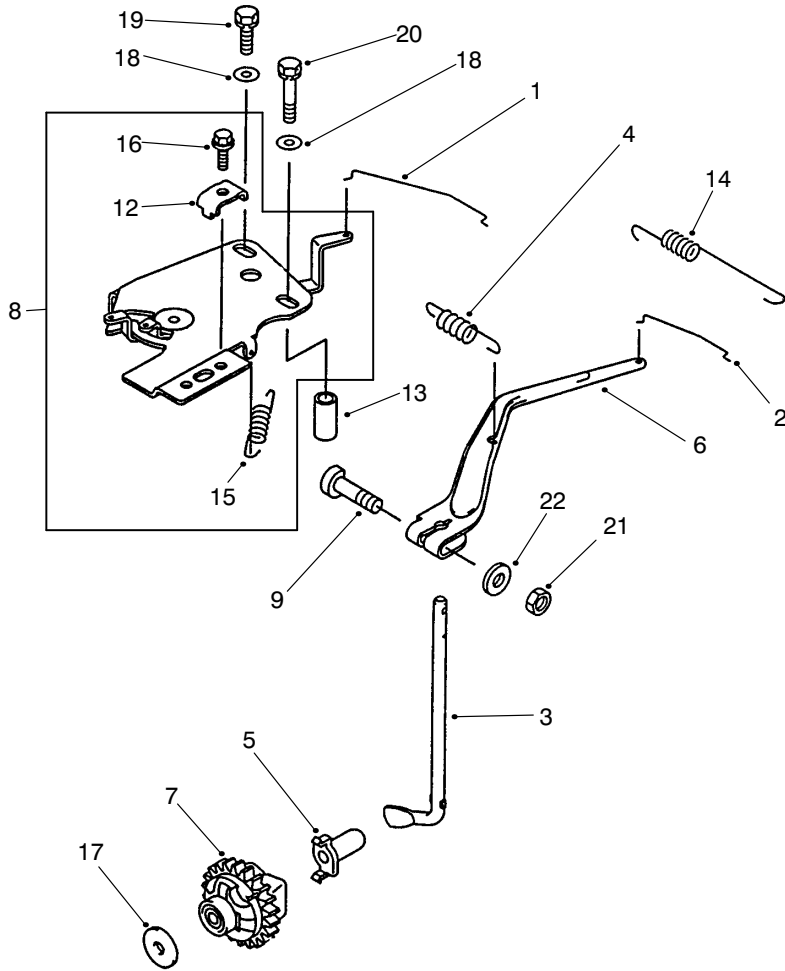


Sheet No.:207

Electrical Components Assembly

Ref. No.	Part No.	Qty.	Description
1	98-7360	1	Sensor
2	95-9814	1	Flywheel Cover
3	95-9815	1	Voltage Regulator
4	95-9816	1	Igniter
5	95-9819	2	Coil-Ignition
6	Kw10087	2	Spark Plug Cap
7	95-9820	1	Flywheel-ASM
8	95-9824	1	Switch
9	95-9825	1	Coil-Pulsing
10	95-9826	1	Coil-Charging
11	95-9827	4	Screw
12	95-9828	1	Nut
13	95-9829	2	Washer
14	95-9830	1	Washer
15	95-9832	2	Collar
16	95-9833	2	Spark Plug
17	95-9834	2	Band
18	95-9835	1	Clamp
19	95-9836	4	Bolt-Flanged
20	98-7359	1	Gasket
21	95-9838	4	Screw-Pan
22	95-9839	1	Screw-Pan
23	Kw10163	1	Woodruff Key
24	95-9823	1	Harness
25	95-9837	2	Bolt-Flanged
26	95-9831	2	Collar

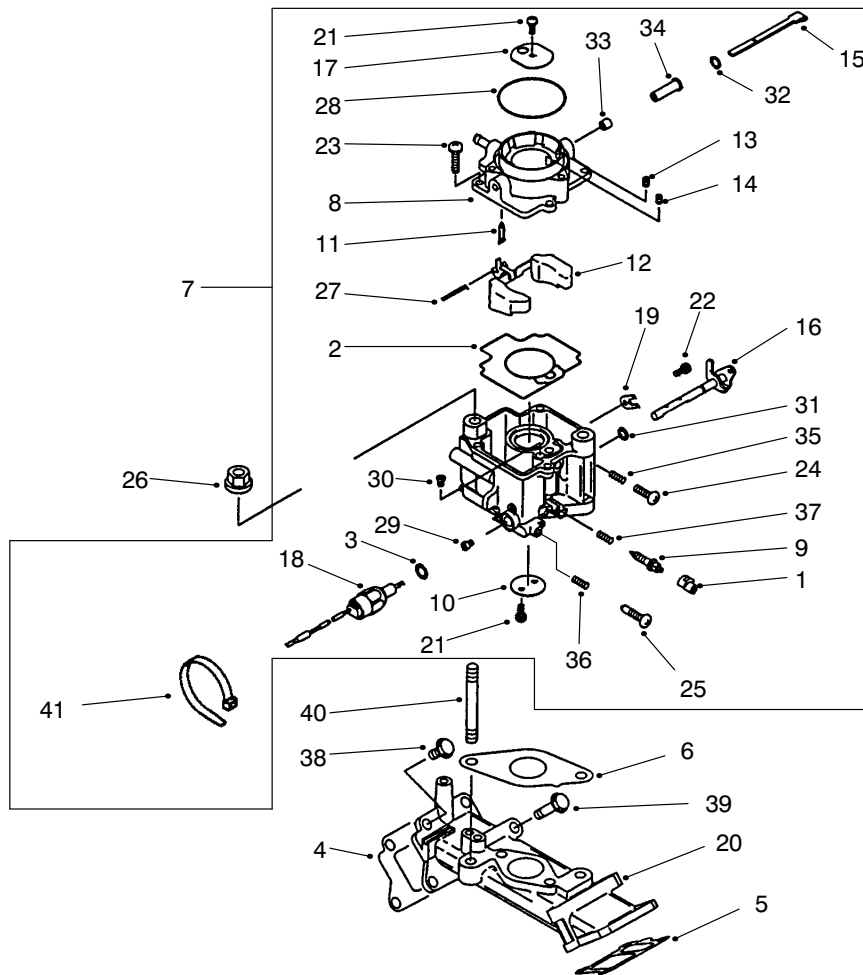
Ref. No.	Part No.	Qty.	Description
27	95-9821	1	Harness
28	98-7361	2	Band



Sheet No.:208

Governor Assembly

Ref. No.	Part No.	Qty.	Description	Ref. No.	Part No.	Qty.	Description
1	95-9840	1	Link-Choke				
2	95-9841	1	Link				
3	98-7362	1	Arm-Pivot				
4	98-7363	1	Spring-Governor				
5	Kw10140	1	Sleeve				
6	98-7364	1	Arm-Governor				
7	98-7365	1	Governor ASM				
8	95-9846	1	Panel-Comp-Control				
9	93-8606	1	Bolt				
12	95-9849	2	Clamp				
13	95-9850	1	Collar				
14	95-9851	1	Spring				
15	95-9852	1	Spring				
16	95-9853	2	Bolt (Only On: 73545)				
16	98-7374	2	Screw-Torx (Only On: 73546)				
17	93-8612	1	Washer				
18	95-9854	2	Washer				
19	95-9855	1	Bolt-Upset-Ws				
20	95-9856	1	Bolt-Upset-Ws				
21	Kw10101	1	Nut-Hex				
22	93-8645	1	Washer				

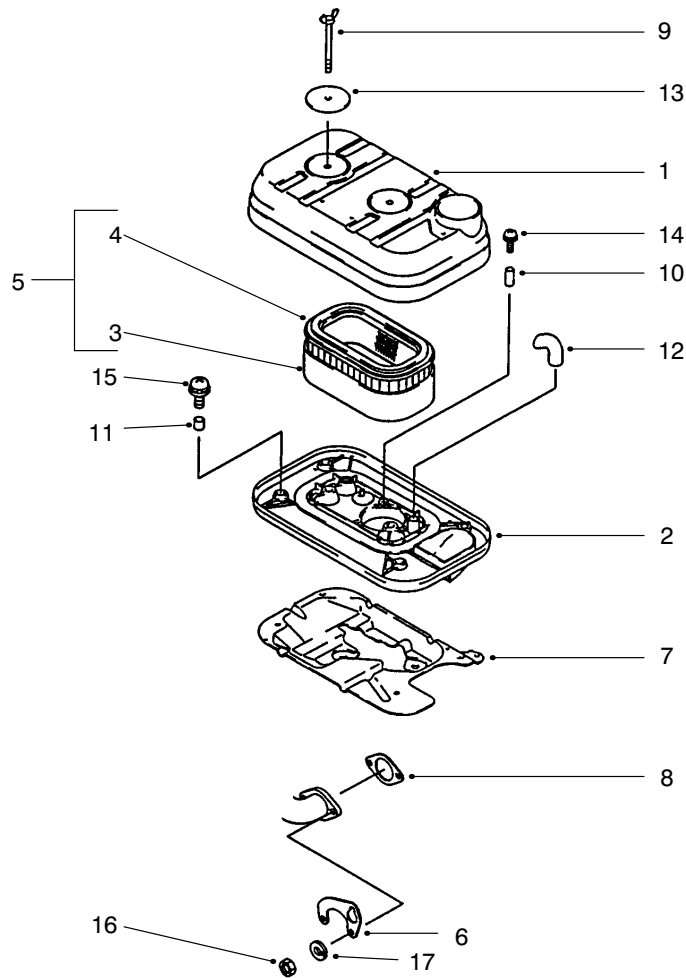


Sheet No.:209

Carburetor Assembly

Ref. No.	Part No.	Qty.	Description
1	95-9857	1	Cap
2	95-9858	1	Gasket
3	95-9859	1	Gasket
4	95-9860	1	Gasket
5	95-9861	1	Gasket
6	95-9862	1	Gasket
7	98-7366	1	Carburetor ASM
8	95-9864	1	Cap-Chamber
9	95-9865	1	Screw-Pilotair
10	95-9866	1	Valve-Throttle
11	95-9867	1	Valve-Float
12	95-9868	1	Float
13	95-9869	1	Jet-Air
14	95-9870	1	Jet-Air
15	95-9871	1	Shaft-Carburetor
16	98-7367	1	Shaft-Carb.
17	95-9873	1	Valve
18	95-9874	1	Solenoid
19	95-9875	1	Stopper
20	95-9876	1	Manifold-Intake
21	95-9877	3	Screw
22	95-9878	1	Screw
23	95-9879	4	Screw
24	95-9880	1	Screw
25	95-9881	1	Screw
26	Kw10621	2	Nut

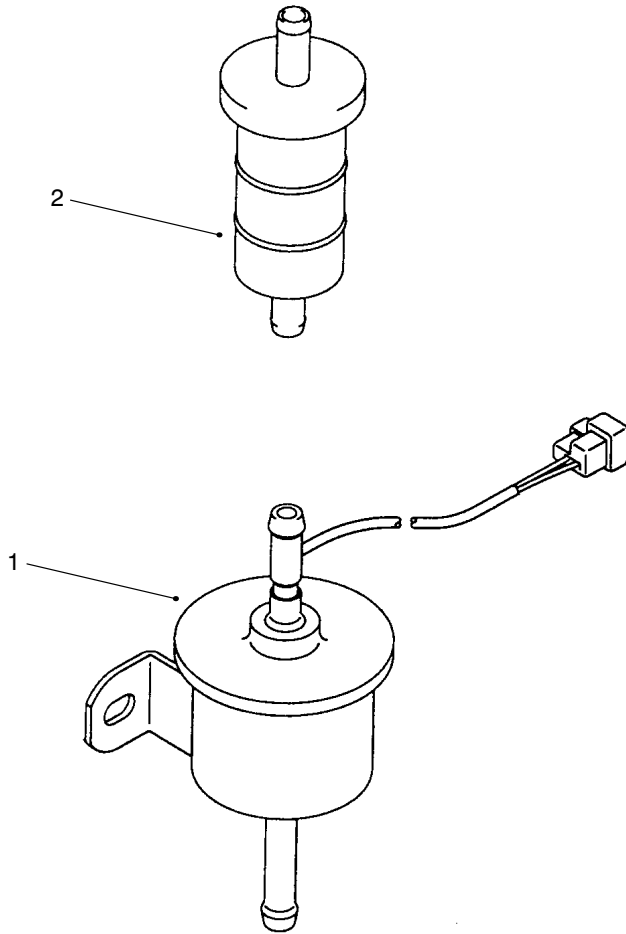
Ref. No.	Part No.	Qty.	Description
27	95-9883	1	Pin
28	95-9972	1	O-Ring
29	95-9884	1	Jet-Main
30	95-9885	1	Jet-Pilot
31	95-9886	1	Seal
32	95-9887	1	Seal
33	95-9888	1	Collar
34	95-9889	1	Collar
35	95-9890	1	Spring
36	95-9891	1	Spring
37	95-9892	1	Spring
38	95-9893	5	Bolt-Flanged
39	95-9894	3	Bolt-Flanged
40	95-9895	2	Bolt-Stud
41	98-7368	1	Clamp



Sheet No.:210

Air Cleaner Assembly

Ref. No.	Part No.	Qty.	Description	Ref. No.	Part No.	Qty.	Description
1	95-9896	1	Case-Air Filter				
2	95-9897	1	Case-Air Filter				
3	95-9898	1	Element-Air Filter				
4	95-9899	1	Element-Air Filter				
5	95-9950	1	Element-Air Filter ASM				
6	95-9951	1	Bracket				
7	95-9952	1	Bracket				
8	95-9953	2	Gasket				
9	Kw10185	2	Bolt				
10	95-9954	3	Collar				
11	95-9955	4	Collar				
12	95-9956	1	Tube				
13	95-9957	2	Washer				
14	95-9958	3	Screw-Pan-Wsp				
15	95-9959	4	Screw-Pan-Wsp				
16	33013-00	4	Nut-Hex M6				
17	93-8655	4	Washer-Spring				

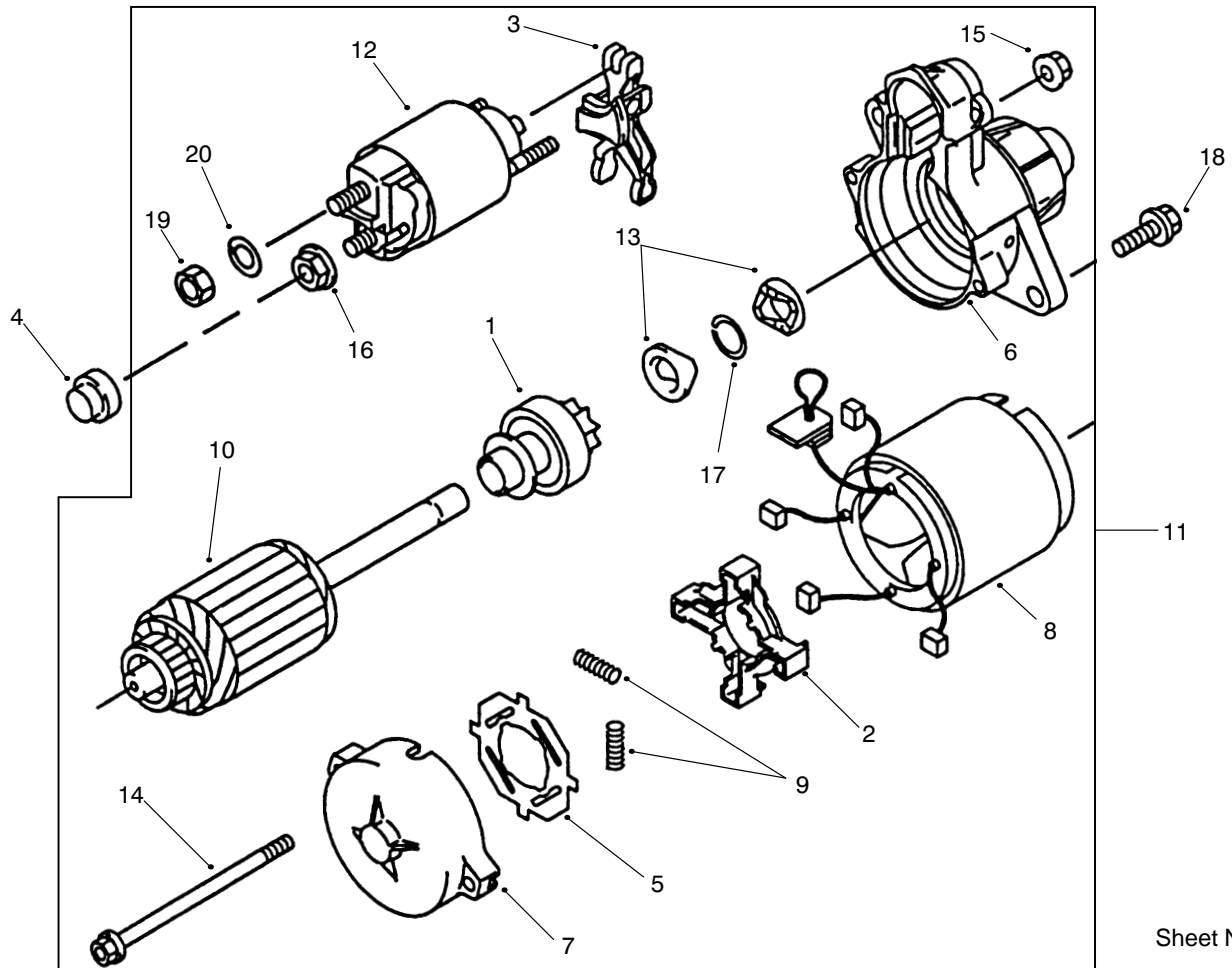


Sheet No.:211

Fuel Pump & Filter Assembly

Ref. No.	Part No.	Qty.	Description
1	95-9960	1	Fuel Pump
2	95-9962	1	Fuel Filter

Ref. No.	Part No.	Qty.	Description
----------	----------	------	-------------



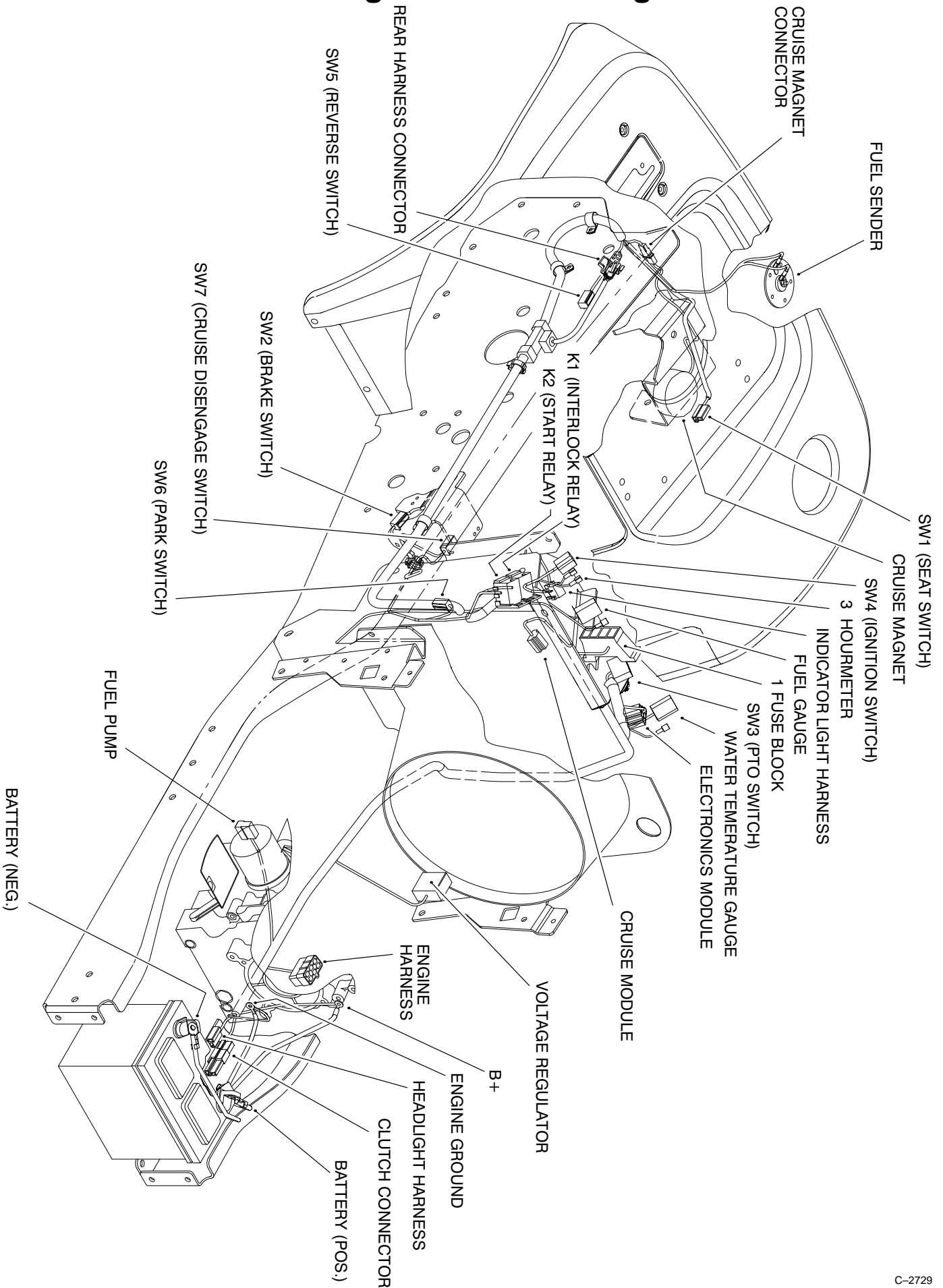
Sheet No.:212

Starter Assembly

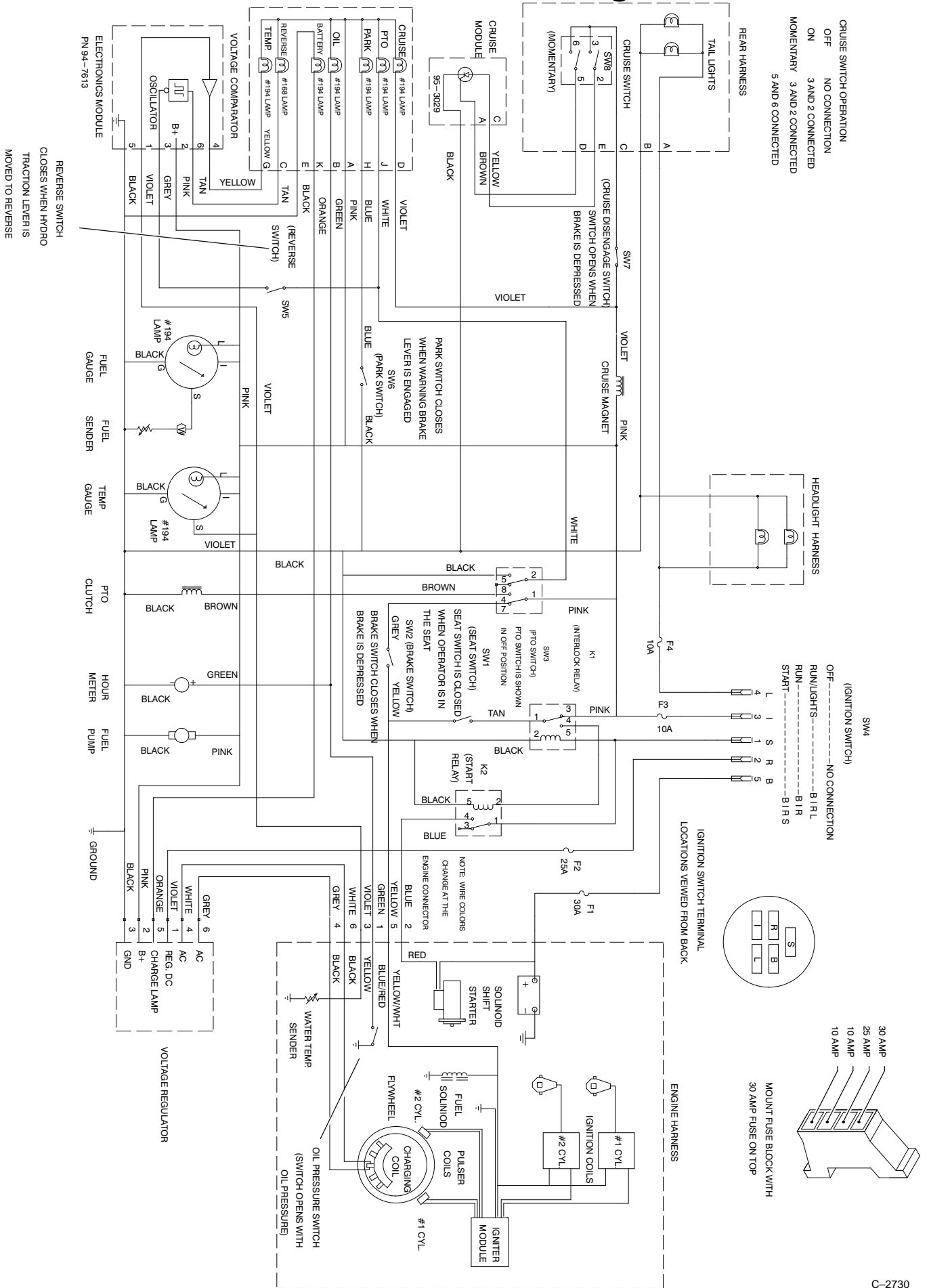
Ref. No.	Part No.	Qty.	Description
1	95-9961	1	Clutch ASM
2	Kw10048	1	Holder
3	Kw10051	1	Lever
4	95-9963	1	Cover
5	Kw10073	1	Insulator
6	95-9964	1	Cover-ASM
7	95-9965	1	Cover-ASM
8	Kw10081	4	Brush
9	Kw10082	4	Spring-Brush
10	Kw10084	1	Armature
11	95-9966	1	Starter-Electric
12	Kw10098	1	Switch
13	95-9967	1	Stopper
14	Kw10190	2	Bolt
15	Kw10197	2	Nut
16	Kw10198	1	Nut
17	Kw10219	1	Ring-Snap
18	Kw10031	2	Bolt-Flanged
19	95-9968	2	Nut-Hex-Small
20	Kw10143	2	Washer-Spring

Ref. No.	Part No.	Qty.	Description

Wiring Harness Routing



Electrical Schematic Diagram



Toro Part Number Index

Part No.	Page No.	Ref. No.	Qty.	Description
1529	7	15	1	Bearing-Needle
1529	8	1	2	Bearing-Needle
1535	8	30	3	Washer-Thrust
1540	7	11	1	Bearing-Needle
2844	2	6	1	Washer-Flat
2844	4	19	1	Washer-Flat
2844	7	36	1	Washer-Flat
3517	8	8	1	Ball
5108	6	20:3	2	Valve-Tire Tubeless
5108	25	1:2	2	Valve-Tire Tubeless
5618	3	1	2	Ring-Retaining
5991	8	27	1	Fitting-Filter
6449	7	21	2	Seal-Oil
7007	25	*	2	Tube-Inner
7228	12	5:5	2	Bulb-Light
8571	8	31	1	Bearing-Needle
8616	3	20	3	Spring-Compression
9038	3	31	1	Grip
9416	7	22	2	Bearing-Needle
9547	7	28	1	Washer-Thrust
9548	6	14	2	Washer-Thrust
100309	7	31	1	Bushing-Cam Pivot
101623	7	8	8	Gear-Pinion
101889	7	6	2	Gear-Axle
102597	19	6	1	Grip
103995	9	16	1	Washer
104047	24	5:2	1	Bushing
105061	7	9	1	Gear-Differential
105269	3	2	1	Pin-Hitch
105316	3	14	3	Cap-Rod
105503	16	41	2	Bushing
105797	2	17	1	Ring-Retaining
105797	3	17	6	Ring-Retaining
105876	7	7	2	Ring-Retaining
106634	3	3	1	Pin-Attachment
106826	7	17	2	Washer-Thrust
106948	28	10	1	Tray-Battery
107069	1	2	6	Nut-Panel
107069	2	8	10	Nut-Panel
107069	3	25	2	Nut-Panel
107069	12	7	4	Nut-Panel
107069	15	15	4	Nut-Panel
107374	7	4	4	Washer-Flat
108323	8	26	1	Base-Filter
108363	7	16	2	Pin-Locating
108881	3	36	6	Nut-Hex
108881	4	2	1	Nut-Hex
108881	5	23	1	Nut-Hex
108881	7	10	4	Nut-Hex
108881	17	22	2	Nut-Hex
108881	19	16	1	Nut-Hex
108881	21	8	2	Nut-Hex
108881	23	13	1	Nut-Hex
109102	28	*	1	25 Amp Fuse
110680	25	1:3	2	Wheel
111196	7	5	2	Cap-End
111199	7	14	2	Bearing-Ball
112641	30	9	1	Cover ASM
112652	30	30	1	Shield-Grass
112653	30	31	1	Ring-Retaining
112819	6	*	2	Tube-Inner
113136	30	16	1	Race-Pump

*Not Illustrated

Toro Part Number Index (cont.)

Part No.	Page No.	Ref. No.	Qty.	Description
610358	11	4	1	Nut-Lock
614249	1	12:2	2	Tie Strap
614249	5	32	2	Tie Strap
614249	12	25	2	Tie Strap
614249	24	20	1	Tie Strap
614249	28	8	2	Tie Strap
614672	10	6	2	Bolt-Shoulder
700919	14	8	1	Nut
702062	8	15	1	Gasket-Pump & Motor
911423	7	3	4	Screw-HH
933154	8	5	2	Pin-Spirol
937089	9	13	1	Key-Woodruff
9202514	6	22	4	Washer-Flat
9202524	6	23	A/R	Washer
9335054	3	4	1	Hairpin
9791204	3	5	2	Spacer
3-4685	3	27	2	Washer-Thrust
Kw10030	35	41	6	Bolt-Flanged
Kw10031	35	40	1	Bolt-Flanged
Kw10031	41	18	2	Bolt-Flanged
Kw10035	31	27	6	Bolt-Flanged
Kw10035	35	43	1	Bolt-Flanged
Kw10048	41	2	1	Holder
Kw10051	41	3	1	Lever
Kw10073	41	5	1	Insulator
Kw10081	41	8	4	Brush
Kw10082	41	9	4	Spring-Brush
Kw10084	41	10	1	Armature
Kw10087	36	6	2	Spark Plug Cap
Kw10098	41	12	1	Switch
Kw10101	37	21	1	Nut-Hex
Kw10140	37	5	1	Sleeve
Kw10143	41	20	2	Washer-Spring
Kw10163	36	23	1	Woodruff Key
Kw10185	39	9	2	Bolt
Kw10190	41	14	2	Bolt
Kw10197	41	15	2	Nut
Kw10198	41	16	1	Nut
Kw10219	41	17	1	Ring-Snap
Kw10227	31	19	1	Seal-Oil
Kw10513	34	22	2	Bolt-Flanged
Kw10513	35	39	1	Bolt-Flanged
Kw10516	35	42	1	Bolt-Flanged
Kw10545	35	38	3	Bolt-Stud
Kw10621	38	26	2	Nut
Kw10761	34	8	1	Filter-Oil
12-5450	2	12	3	Screw-Thread Forming
12-5450	28	6	4	Screw-Thread Forming
27-0410	12	10	3	Bolt-Shoulder
37-8771	2	23	1	Bolt-Shoulder
37-8771	16	45	2	Bolt-Shoulder
38-1420	15	3	1	Switch-Seat
44-2230	9	3	4	Coupling-Rubber
46-8093	1	10	4	Screw-TAP
48-8020	5	13	4	Washer-Lock
56-2800	30	1	1	Screw-HH
56-2810	30	2	1	Bearing-Ball
56-2820	30	3	2	Seal-Oil
56-2850	30	6	1	Ring-Seal
56-2860	30	7	1	Plate-Pump
56-2870	30	8	1	Ring-Seal
56-2880	30	10	2	Button

*Not Illustrated

Toro Part Number Index (cont.)

Part No.	Page No.	Ref. No.	Qty.	Description
56-2890	30	11	1	Pin-Dowel
56-2900	30	12	1	Pin-Drive
56-2910	30	13	1	Shaft-Input
56-2920	30	14	1	Ring-Seal
56-2930	30	15	1	Rotor/Ball-Pump
56-2940	30	56	1	Cam Ring ASM Incl 16 17
56-2950	30	18	2	Piston
56-2960	30	19	2	Ring-Backup
56-2970	30	20	2	O-Ring
56-2980	30	21	1	Pin-Coil
56-2990	30	22	1	Pintle ASM
56-3000	30	23	2	Ring-Retaining
56-3010	30	24	2	Ball-.313 Dia
56-3020	30	25	2	Body-Valve
56-3030	30	26	1	Ball-.438 Dia
56-3040	30	27	1	Spring-Valve
56-3050	30	28	1	Plug-Valve
56-3060	30	29	1	Pin-Dowel
56-3090	30	5	4	Ring-Retaining
56-3100	30	33	6	Screw-HSBH
56-3110	30	34	6	Roller
56-3120	30	35	1	Carrier
56-3130	30	36	1	Seal-Oil
56-3140	30	37	1	Kit-Shaft
56-3170	30	40	1	Insert-Ring
56-3180	30	41	1	Spring-Valve
56-3200	30	43	2	Body-Valve
56-3210	30	44	2	Ball-.625 Dia
56-3220	30	45	1	Rotor/Ball-Motor
56-3230	30	46	1	Shaft-Output
56-3240	30	47	1	Race-Motor
56-3250	30	48	1	ASM-Plug
56-3260	30	49	1	O-Ring
56-3280	30	52	1	Bearing-Ball
56-3290	30	53	1	Ring-Retaining
56-3310	30	55	1	Kit-Seal
62-2470	27	13	1	Hose-Gas Line Long
62-7770	14	7	1	Key-Ignition
63-1590	17	16	1	Spring-Extension
63-1590	20	3	1	Spring-Extension
65-7410	19	2	3	Switch-Single Pole
66-4160	23	12	1	Spring
69-8420	5	28	1	Lockwasher
71-4410	9	6	4	Spacer-Coupling
71-4411	9	4	4	Spacer-Coupling
76-1340	15	7	1	Decal-USA (Only On: 73545)
79-3340	7	1	2	Axle-Rear
79-3370	7	2	2	Key-Square
79-5270	8	28	1	Filter-Oil
80-8760	15	16	1	Decal-Danger (Only On: 73545)
80-8760	15	25:1	1	Decal-Danger (Only On: 73545)
83-2720	25	2	10	Bolt-Lug
86-9320	18	2	2	Bushing-Nylon
92-1099	11	2	1	Bolt-Shoulder
92-6785	14	11	1	Switch-Ignition
92-6798	5	2	1	Cap-Rod
92-6877	26	36	1	Valve-Oil Drain
92-7008	17	41	1	Rod End
92-7020	12	11	4	Screw-TTH
92-7020	13	2	12	Screw-TTH
92-7020	14	19	4	Screw-TTH
92-7020	15	11	4	Screw-TTH

*Not Illustrated

Toro Part Number Index (cont.)

Part No.	Page No.	Ref. No.	Qty.	Description
92-7674	3	23	2	Bolt-Shoulder
92-8747	1	22	2	Decal-Attach A Matic
93-1265	28	12:1	1	Decal-Hot
93-4366	23	10	1	Magnet ASM
93-6601	23	10:1	1	Spring
93-8512	31	18	6	Pin
93-8539	33	7	4	Tappet
93-8548	31	24	8	Bolt-Flanged
93-8566	34	16	3	Bolt-Flanged
93-8606	37	9	1	Bolt
93-8612	37	17	1	Washer
93-8645	37	22	1	Washer
93-8655	39	17	4	Washer-Spring
93-8668	35	44	1	Washer
93-8679	31	25	4	Bolt-Flanged
93-9810	30	17	1	Ring-Cam
94-1867	28	2	1	Battery
94-2001-03	7	23	1	Case-Transaxle
94-2002-03	7	29	1	Case-Transaxle
94-2003	8	24	1	Transmission
94-2006	7	27	1	M-Gear
94-2007	7	26	1	Shaft-Brake
94-2008	7	25	1	Gear-Sliding
94-2009	7	37	1	Drum-Brake
94-2010	8	33	1	Shaft-Input
94-2011	8	35	1	Gear-Hi Lo
94-2014	8	2	1	Tube-Shifter Rail
94-2015	8	4	1	Fork-Hi Lo Shift
94-2019-03	7	30	1	Arm-Brake Pivot
94-2021	7	12	2	Bearing-Needle
94-2022	7	13	1	Gasket-Transaxle
94-2024	8	9	1	Spring-Shift
94-2025	5	27	1	Washer-Boot
94-2053	6	20:5	4	Snap Ring
94-2054	8	3	1	Rail-Shift
94-2059	9	11	1	Hub
94-2066	26	35	1	Hub-Drive
94-2068	26	19	1	Spacer-Clutch
94-2083-03	2	37	1	Frame
94-2087-01	13	11	1	Sidepanel-Hood
94-2088-01	13	8	1	Sidepanel-Hood
94-2089-01	15	28	1	Footrest
94-2090-01	15	21	1	Footrest
94-2093	13	3	1	Cover-Rear
94-2095	15	27	1	Pad-Footrest
94-2096	15	20	1	Pad-Footrest
94-2099	12	5:6	1	Lens-Headlight
94-2100	11	28	1	Knob-Lift (Only On: 73545)
94-2101	14	18	1	Dash
94-2102	14	1	1	Boot-Steering
94-2103	13	10	1	Cover-Bumper
94-2104	13	9	1	Grille
94-2106-03	16	40	2	Spring-Compression
94-2107-03	16	39	1	Base-Seat
94-2111-03	16	46	1	Mount-Seat
94-2112	15	37	1	Slide-Seat
94-2120	15	6	1	Pod-Control (Only On: 73545)
94-2121	14	13	1	Knob-Throttle
94-2122	14	17	1	Knob-Choke
94-2123	20	20	1	Pad-Brake Pedal
94-2124	15	35	2	Lamp-Taillight
94-2142-03	4	13	1	Arm-Lower

*Not Illustrated

Toro Part Number Index (cont.)

Part No.	Page No.	Ref. No.	Qty.	Description
94-2143	8	6	1	Arm- Shifter
94-2144	17	8	1	Slider- Speed Control
94-2145	17	11	1	Plate- Cam
94-2148-03	8	19	1	Plate- Support Bracket
94-2149-03	17	20	1	Plate- Control
94-2157-03	19	5	1	Latch- Parking Brake
94-2158	23	9	1	Plate- Magnet
94-2168	17	13	1	Standoff- Slider
94-2169	17	9	2	Standoff- Cam
94-2177	16	38	1	Seat Slide- Latch
94-2190	26	18	1	Clutch- PTO
94-2191	6	20:4	2	Tire (Only On: 73545)
94-2193	25	1:1	2	Tire (Only On: 73545)
94-2194	25	1	2	Rear Wheel & Tire ASM (Only On: 73545)
94-2196	6	10	1	Arm- RH Steering
94-2197	6	8	1	Arm- LH Steering
94-2205-03	6	2	1	Pivot Pin
94-2212	6	5	2	Rod- Steering
94-2219	4	9	1	Spacer
94-2230-03	3	15	1	Hanger RH
94-2231-03	3	16	1	Hanger LH
94-2233	3	28	2	Spacer
94-2250-03	3	35	1	Latch ASM
94-2251-03	3	7	2	Plate- Hitch
94-2256	3	18	3	Rod- Lock
94-2258	3	19	3	Lock- Latch
94-2260	10	21	2	Lift Sleeve ASM
94-2262	10	16	2	Rod- Lift
94-2263-03	10	2	1	Support- Deck Lift
94-2266-03	10	22	1	Support- Cylinder
94-2277-03	10	17	1	Bar- Lift
94-2278-03	10	18	1	Lift Arm ASM- RH
94-2279-03	10	7	1	Lift Arm ASM- LH
94-2300	11	12	1	Lift Cylinder ASM
94-2301	10	12	2	J Pin
94-2304-03	3	26	1	Tray- Battery
94-2308-03	1	15	1	Bumper- Frame
94-2309	17	17	1	Standoff- Spring
94-2310	9	15	1	Hub
94-2313	17	2	4	Retainer- Bearing
94-2342-03	20	15	1	Bracket- Forward Reverse
94-2343-03	20	11	1	Bracket- Support
94-2345-03	20	13	1	Pivot Shaft
94-2351-03	20	10	1	Brake Bracket
94-2352-03	20	19	1	Pedal- Brake
94-2371	9	12	1	Spacer- Fan
94-2373-03	9	1	1	Drive Shaft
94-2375-03	22	2	1	Brake Pivot Plate
94-2382	5	4	1	Bracket
94-2393	22	14	1	Rod- Brake
94-2409	21	10	1	Link- Slow Down
94-2411	10	8	2	Stop- Lift Adj.
94-2413	2	4	4	U- Nut
94-2417-03	13	1	1	Screen- Rear
94-2419	7	35	1	Brake Band
94-2425	9	10	1	Key- Square
94-2451	5	11	1	Power Column ASM
94-2468	17	30	1	Cam- Eccentric
94-2475	3	29	1	Rod- Spacer
94-2488-03	22	5	1	Hydro Pivot
94-2494-03	23	3	1	Bracket- Cruise Control
94-2497	17	35	1	Rod- Slider To Pivot

*Not Illustrated

Toro Part Number Index (cont.)

Part No.	Page No.	Ref. No.	Qty.	Description
94-2498	22	9	1	Rod-Pivot To Pedal
94-2499	20	4	1	Link-Brake Pedal
94-3518	15	1	1	Seat V-811
94-4208	14	9	1	Hourmeter
94-4496	15	23:4	2	Screw
94-4496	28	13	2	Screw
94-7500	17	39	1	Rod-Lift Lever
94-7501	20	12	1	Spacer-Pedal
94-7504	18	3	1	Shift Rod
94-7507	18	9	1	Shift Rod
94-7510	8	7	1	Arm-Hi Lo
94-7521-03	5	25	1	Power Steering Pivot
94-7523-03	26	7	1	Shroud-Muffler
94-7536-03	6	19	1	RH Spindle
94-7537-03	6	13	1	LH Spindle
94-7538	6	20:2	4	Bearing ASM (Incl. Ref. #20:5)
94-7539	6	4	2	Balljoint-LH Thread
94-7541	6	20:1	2	Wheel
94-7542	6	20	2	Wheel & Tire ASM (Only On: 73545)
94-7556	4	18	1	Arm-Upper
94-7557	26	14	1	Muffler-Kawasaki
94-7559	8	12	1	Tube-Dipstick
94-7562-03	19	10	1	Bracket-Switch
94-7564	17	24	1	Spacer
94-7565	8	14	1	Pinion-Bevel
94-7566	8	32	1	Gear-Bevel
94-7567	5	19	1	Control Unit
94-7568-03	6	17	1	Axle-Front
94-7569	22	3	2	Bushing
94-7571	17	33	1	Rod End LH
94-7572	20	14	1	Tie Rod End RH
94-7573	21	7	1	Tie Rod End LH
94-7573	22	6	1	Tie Rod End LH
94-7574	10	4:1	2	Bushing-Flanged
94-7574	22	1	2	Bushing-Flanged
94-7575	23	4	1	Spacer-Cruise
94-7579	21	3	1	Lever-Slow Down
94-7581	4	10	1	Housing-Power Steering
94-7582	5	22	1	Bolt-Shoulder
94-7582	17	38	1	Bolt-Shoulder
94-7582	19	7	1	Bolt-Shoulder
94-7582	21	9	2	Bolt-Shoulder
94-7582	23	8	1	Bolt-Shoulder
94-7586	17	15	1	Arm-Return To Neutral
94-7599-03	5	21	1	Bracket-Pivot
94-7600-03	10	20	1	Spacer-Strap
94-7601	27	35	1	Radiator
94-7602	15	5	1	Switch Cruise
94-7605	28	1	1	Harness-Main
94-7609	14	23	1	Harness-7 Light
94-7611	15	33	1	Harness-Rear
94-7613	2	11	1	Module-Kawasaki
94-7617	14	21	1	Water Temp. Gauge
94-7631-03	26	8	1	Support-Muffler
94-7637	17	5	1	Rod End RH
94-7643-03	2	33	1	Tower ASM
94-7644-03	27	1	1	Strap-Radiator
94-7645-03	27	33	1	Support-Radiator RH
94-7646-03	27	36	1	Support-Radiator LH
94-7680-03	8	11	1	Dipstick
94-7692	8	23	1	Fitting-Hose
94-7693	8	16	1	Fitting-Hydraulic

*Not Illustrated

Toro Part Number Index (cont.)

Part No.	Page No.	Ref. No.	Qty.	Description
94-7694	8	18	1	Fitting-Hydraulic
94-7714	11	1	1	Handle-Lift
94-7739-03	2	41	1	Strap-Torque
94-7740-03	2	2	1	Support - Gas Tank
94-7777-03	3	21	2	Latch-Pulley Box
94-7814	17	21	1	Locater-Control Plate
94-7816	17	27	1	Arm-Speed Control
94-7817	17	10	1	Bolt-Shoulder
94-7818	20	5	1	Retainer-Screw
94-7819	4	7	2	Spacer-Stop
94-7820-03	4	11	1	Plate-Power Steering
94-7824	20	18:1	1	Pad-Hydro Pedal
94-7833	18	5	1	Lever-Hi Lo
94-7834	18	8	1	Bracket-Pivot
94-7835	18	4	1	Spring-Torsion
94-7848-03	26	20	1	Plate-Engine
94-7855-03	3	33	1	Mid Bracket ASM
94-7871	6	25	2	Cap-Dust
94-7891	27	8	1	Duct-Air
94-7905	19	9	1	Retainer-Screw
94-7906	22	15	1	Spring-Compression
94-7907	4	25	1	Spacer
94-7910	1	8	4	Grommet
94-7911	27	7	1	Shroud-Fan
94-7913	17	23	1	Bushing-Flange
94-7919	21	1	1	Bushing
94-7944	11	18	1	Hose ASM
94-7945	11	9	1	Hose ASM
94-7946	4	22	1	Hose ASM
94-7946	5	18	1	Hose ASM
94-7947	4	23	1	Hose ASM
94-7947	5	8	1	Hose ASM
94-7948	5	14	1	Hose ASM
94-7949	5	9	1	Hose ASM
94-7955	9	17	1	Screw-Lock
94-7955	22	7	1	Screw-Lock
94-7956	27	28	1	Baffle-Tower
94-7969	8	17	1	Tube-Hydraulic
94-7970	8	41	1	Tube-Hydraulic
94-7970	11	19	1	Tube-Hydraulic
94-7971	2	32	1	Tube-Hydraulic
94-7971	8	42	1	Tube-Hydraulic
94-7972	2	40	1	Screw-HH
94-7974	26	16	1	Screw-Cap
94-7975	9	18	4	Screw-Square Set
94-7976	4	4	1	Screw-HH
94-7980	23	5	1	Rod-Cruise Control
94-7994-03	1	18	1	Bracket-Hinge Lower RH
94-7995-03	1	6	1	Bracket-Hinge Lower LH
94-8189	24	17	1	Clamp-Hose
95-0691	12	23	1	Harness-Wire
95-1653	19	13	1	Switch-Single Pole
95-3029	2	16	1	Cruise Module
95-3800-03	12	12	1	Front Bulkhead
95-3801-03	17	4	1	Slider Lift
95-3805	5	6	1	Spring
95-3807	2	15	1	Hose ASM
95-3807	5	16	1	Hose ASM
95-3809	24	5	1	Tank-Gas
95-3830	14	22	1	Gauge-Fuel
95-3842	14	4	1	Lens-Dash
95-3843	14	6	1	Housing-Light

*Not Illustrated

Toro Part Number Index (cont.)

Part No.	Page No.	Ref. No.	Qty.	Description
95-3844	14	2	1	Retainer-Boot
95-3857	17	42	1	Screw-Button Head
95-3858	15	29	2	Bracket-Footrest
95-3892-03	2	19	1	Bracket-Latch
95-3895	2	24	1	Spring-Extension
95-3899	2	21	1	Latch Lever
95-3900	2	22	1	Tension Lever-Latch
95-3968	24	5:9	1	Fitting
95-3971	24	5:5	1	Sender-Fuel Level
95-3961-03	2	9	1	Support-Fuel Tank
95-3964	5	3	1	Lever-Tilt
95-3965	4	3	1	Cylinder-Hydraulic
95-3989	1	7	4	Mount-Sidepanel
95-3990	26	12	1	Reflector-Heat
95-3991	2	13	1	Filter-Hydraulic Screen
95-4000	15	6	1	Pod-Control (Only On: 73546)
95-4005-03	2	39	1	Cover-Rear
95-4007	11	12:1	1	Seal Kit
95-4013	1	1	4	Latch Assembly
95-4017	27	16	1	Bottle-Overflow
95-4019	11	24	1	Valve-Hydraulic
95-4022	18	7	1	Knob-Hi Lo Shift
95-4042	28	11	2	Hold Down-Battery
95-4044	28	14	1	Shield-Battery (Only On: 73545)
95-4060	6	21	2	Washer-Wheel
95-4061	26	29	1	Fitting-Barbed Adapter
95-4063-03	26	2	1	Bracket-Kawasaki Module
95-4064	11	11	1	Clip-Pin
95-4070-03	12	14	1	Hood Support Rod
95-4073	14	5	1	Decal-Dash Lens
95-4078	12	1:5	1	Foam Seal-Rear Bulkhead
95-4080-03	27	18	1	Bracket-Bottle
95-4081-03	1	17	1	Hood Support RH
95-4082-03	1	9	1	Hood Support LH
95-4084	6	20	2	Wheel & Tire ASM (Only On: 73546)
95-4085	6	20:4	2	Tire (Only On: 73546)
95-4086	25	1	2	Rear Wheel & Tire ASM (Only On: 73546)
95-4087	25	1:1	2	Tire (Only On: 73546)
95-4092	28	14	1	Shield-Battery (Only On: 73546)
95-4106	11	28	1	Knob-Lift (Only On: 73546)
95-4107	15	23:2	1	Retainer-Cover
95-4113-03	13	13	1	Cover-Side RH
95-4114-03	13	5	1	Cover-Side LH
95-4115	15	8	4	Nut-Speed
95-4129	12	5:4	4	Clip
95-4133	8	22	1	Hose-Suction
95-4134	11	22	1	Fitting-Hydraulic Tee
95-4135	8	40	1	Fitting-Hydraulic 45
95-4136	4	21	2	Fitting-Hydraulic 45 DEG
95-4136	11	17	1	Fitting-Hydraulic 45 DEG
95-4137	5	10	1	Fitting-Hydraulic Long
95-4138	2	14	2	Fitting-Hydraulic
95-4138	5	17	2	Fitting-Hydraulic
95-4138	8	39	1	Fitting-Hydraulic
95-4139	5	15	2	Fitting-Hydraulic Straight
95-4140	11	21	1	Fitting-Hydraulic 90 DEG.
95-4141	11	7	3	Fitting-Hydraulic 90 DEG
95-4142	27	25	1	Valve-Drain
95-4143	27	11:1	1	Decal-Warning
95-4157	24	22:3	1	Foam-Tank Center
95-4158	24	22:2	1	Foam-Tank RH
95-4159	24	22:1	1	Foam-Tank LH

*Not Illustrated

Toro Part Number Index (cont.)

Part No.	Page No.	Ref. No.	Qty.	Description
95-4161	27	24	3	Foam-Radiator
95-4165	2	20	1	Spring-Torsion
95-4166	12	5	1	Headlight ASM
95-4168	11	3	1	Trunnion-Lift Lever
95-4170	27	27	1	Baffle-Tower Rear
95-4182	5	29	1	Nut-HH Jam
95-4184	26	21	4	Screw-Threadlocking
95-4185	17	3	4	Bearing-Ball
95-4186	24	4	1	Hose-Vent
95-4191	27	15	1	Cap-Coolant
95-4192	24	1	1	Gas Cap ASM-Unleaded
95-4197	12	3	2	Nut Plate
95-4221	11	5	1	Spring-Ext. Lift
95-4223	9	14	1	Fan-Hydro
95-4224	14	16	1	ASM-Control Choke
95-4225	14	15	1	Control Throttle ASM
95-4227	27	14	1	Hose-Overflow
95-4231	13	4	2	Foam-Seal
95-4232	26	34	3	Screw-Threadlocking
95-4233	12	1:6	1	Foam-Bulkhead/Hood
95-4234	14	3	6	Screw-Pan Hd
95-4235	11	6	1	Washer
95-4236	11	27	1	Tscrew-PPH
95-4236	14	12	2	Tscrew-PPH
95-4237	27	26	2	Rivet-Plastic
95-4238	14	20	2	Gasket-Foam
95-4242	16	42	2	Cap-Seat Spring
95-4245	11	16	1	Screw-Thread Locking
95-4245	17	31	1	Screw-Thread Locking
95-4246	2	35	1	Baffle-Fan
95-4248	12	6	1	Logo-Headlight
95-4256	10	13	2	Spring-Compression
95-4258	1	12:1	1	Cover-Brace
95-4258	11	14	2	Cover-Brace
95-4259	12	1:4	2	Foam-Lower Bulkhead
95-4260	13	7	1	Decal-Hood LH
95-4261	13	12	1	Decal-Hood RH
95-4262	15	2	1	Decal-Fender
95-4263	15	23:1	1	Decal-Danger (Only On: 73545)
95-4268	27	12	1	Hose-Radiator
95-4269	27	22	1	Hose-Radiator
95-4271	24	14	2	Clamp-Hose
95-4271	26	22	4	Clamp-Hose
95-4271	27	9	4	Clamp-Hose
95-4274	24	15	1	Hose-Fuel
95-4275	26	31	1	Hose-Fuel
95-4276	26	28	1	Hose-Fuel
95-4277	26	32	1	Hose-Fuel
95-4287	14	24	1	Guard-Latch (Only On: 73546)
95-6331	32	1	2	Piston-Engine L
95-6332	32	1	2	Piston-Engine L
95-6333	32	3	2	Ring-Set-Piston L
95-6334	32	3	2	Ring-Set-Piston L
95-6335	32	4	2	Connecting Rod ASM.50 Os
95-7489	14	10	1	Switch-PTO
95-7855	28	3	1	Cable-Battery
95-9700	31	1	2	Gasket-Head
95-9701	31	2	1	Head-Cylinder
95-9702	31	3	1	Head-Cylinder
95-9703	31	4	2	Gasket
95-9704	31	5	1	Cover-Rocker
95-9705	31	6	1	Cover-Rocker

*Not Illustrated

Toro Part Number Index (cont.)

Part No.	Page No.	Ref. No.	Qty.	Description
95-9706	31	7	1	Gasket-Breather
95-9707	31	8	1	Gasket-Crankcase Cover
95-9708	31	9	2	Gasket-Rocker Cover
95-9709	31	10	1	Plate
95-9710	31	11	1	Cover
95-9711	31	12	1	Valve
95-9713	31	14	1	Cover-Crankcase
95-9714	31	15	1	Crankcase Assembly
95-9715	31	16	1	Joint
95-9716	31	17	1	Screw
95-9717	31	20	2	Seal-Oil
95-9719	31	21	8	Collar
95-9720	31	22	1	Clamp
95-9721	31	23	1	Tube
95-9722	31	26	2	Bolt-Flanged
95-9723	31	28	2	Bolt-Flanged
95-9724	31	29	10	Bolt-Flanged
95-9725	31	30	4	Bolt-Stud
95-9726	31	31	1	Seal-O-Ring
95-9727	32	1	2	Piston-STD.
95-9728	32	2	2	Pin-Piston
95-9729	32	3	2	Piston Ring Set-STD.
95-9734	32	4	2	Connecting Rod ASM
95-9736	32	5	1	Crankshaft ASM
95-9737	32	6	1	Gear-Spur
95-9738	32	7	4	Bolt
95-9739	32	8	4	Ring-Snap
95-9740	32	9	1	Pin-Dowel
95-9741	33	1	2	Valve-Intake
95-9742	33	2	2	Valve-Exhaust
95-9743	33	3	4	Retainer-Valve Spring
95-9744	33	4	4	Collet
95-9745	33	5	4	Arm-Rocker
95-9746	33	6	2	Shaft-Rocker
95-9747	33	8	1	Camshaft-Valve
95-9748	33	9	4	Rod-Push
95-9749	33	10	4	Retainer-Spring
95-9750	33	11	4	Spring-Valve
95-9751	33	12	4	Screw-Adjustment
95-9752	33	13	4	Nut
95-9753	33	14	4	Seal-Oil
95-9754	33	15	4	Circlip
95-9755	34	1	1	Gasket
95-9756	34	2	1	Shaft
95-9757	34	3	1	Plate
95-9758	34	4	1	Cover
95-9759	34	5	1	Cap-Oil Filter
95-9760	34	6	1	Rotor-Pump
95-9761	34	7	1	Rotor-Pump
95-9762	34	9	1	Filter-Oil
95-9764	34	11	1	Gear-Spur
95-9765	34	12	2	Pin
95-9765	35	35	1	Pin
95-9766	34	13	1	O Ring
95-9767	34	14	1	Plug
95-9768	34	15	1	Spring
95-9769	34	17	2	Screw-Pan
95-9770	34	18	1	Ball-Steel
95-9771	34	19	1	O Ring
95-9772	35	1	1	Gasket
95-9773	35	2	1	Gasket
95-9774	35	3	1	Gasket

*Not Illustrated

Toro Part Number Index (cont.)

Part No.	Page No.	Ref. No.	Qty.	Description
95-9776	35	4	1	Shaft
95-9777	35	5	1	Shaft
95-9778	35	6	1	Housing-ASM
95-9779	35	7	1	Cover
95-9780	35	8	1	Cover-Pump
95-9781	35	9	1	Pump-Water
95-9782	35	10	1	Thermostat
95-9783	35	11	1	Seal-Mechanical
95-9784	35	12	1	Fan Belt
95-9785	35	13	1	Cooling Fan
95-9786	35	14	1	Gear-Spur
95-9787	35	15	1	Pulley
95-9788	35	16	1	Pulley
95-9789	35	17	1	Fan Spacer
95-9791	35	18	1	Impeller
95-9792	35	19	1	Case-Pump
95-9793	35	25	3	Nut
95-9795	35	21	1	Spacer
95-9796	35	22	2	Clamp
95-9797	35	23	2	Ball Bearing
95-9798	35	24	1	Oil Seal
95-9799	35	20	2	Bolt
95-9800	35	26	1	Bolt
95-9801	35	47	A/R	Shim
95-9802	35	27	A/R	Shim
95-9803	35	28	1	Washer
95-9804	35	29	3	Bolt-Flanged
95-9805	35	30	1	Bolt-Flanged
95-9806	35	31	1	Bolt-Flanged
95-9807	35	32	1	Bolt-Flanged
95-9808	35	33	1	Nut-Hex-Fine
95-9809	35	34	1	Circlip
95-9810	35	36	1	Pin-Dowel
95-9812	35	37	1	O Ring
95-9814	36	2	1	Flywheel Cover
95-9815	36	3	1	Voltage Regulator
95-9816	36	4	1	Igniter
95-9819	36	5	2	Coil-Ignition
95-9820	36	7	1	Flywheel-ASM
95-9821	36	27	1	Harness
95-9823	36	24	1	Harness
95-9824	36	8	1	Switch
95-9825	36	9	1	Coil-Pulsing
95-9826	36	10	1	Coil-Charging
95-9827	36	11	4	Screw
95-9828	36	12	1	Nut
95-9829	36	13	2	Washer
95-9830	36	14	1	Washer
95-9831	36	26	2	Collar
95-9832	36	15	2	Collar
95-9833	36	16	2	Spark Plug
95-9834	36	17	2	Band
95-9835	36	18	1	Clamp
95-9836	36	19	4	Bolt-Flanged
95-9837	36	25	2	Bolt-Flanged
95-9838	36	21	4	Screw-Pan-Wsp-Cros
95-9839	36	22	1	Screw-Pan-Wp
95-9840	37	1	1	Link-Choke
95-9841	37	2	1	Link
95-9846	37	8	1	Panel-Comp-Control
95-9849	37	12	2	Clamp
95-9850	37	13	1	Collar

*Not Illustrated

Toro Part Number Index (cont.)

Part No.	Page No.	Ref. No.	Qty.	Description
95-9851	37	14	1	Spring
95-9852	37	15	1	Spring
95-9853	37	16	2	Bolt (Only On: 73545)
95-9854	37	18	2	Washer
95-9855	37	19	1	Bolt-Upset
95-9856	37	20	1	Bolt-Upset-Ws
95-9857	38	1	1	Cap
95-9858	38	2	1	Gasket
95-9859	38	3	1	Gasket
95-9860	38	4	1	Gasket
95-9861	38	5	1	Gasket
95-9862	38	6	1	Gasket
95-9864	38	8	1	Cap-Chamber
95-9865	38	9	1	Screw-Pilotair
95-9866	38	10	1	Valve-Throttle
95-9867	38	11	1	Valve-Float
95-9868	38	12	1	Float
95-9869	38	13	1	Jet-Air
95-9870	38	14	1	Jet-Air
95-9871	38	15	1	Shaft-Carburetor
95-9873	38	17	1	Valve
95-9874	38	18	1	Solenoid
95-9875	38	19	1	Stopper
95-9876	38	20	1	Manifold-Intake
95-9877	38	21	3	Screw
95-9878	38	22	1	Screw
95-9879	38	23	4	Screw
95-9880	38	24	1	Screw
95-9881	38	25	1	Screw
95-9883	38	27	1	Pin
95-9884	38	29	1	Jet-Main
95-9885	38	30	1	Jet-Pilot
95-9886	38	31	1	Seal
95-9887	38	32	1	Seal
95-9888	38	33	1	Collar
95-9889	38	34	1	Collar
95-9890	38	35	1	Spring
95-9891	38	36	1	Spring
95-9892	38	37	1	Spring
95-9893	38	38	5	Bolt-Flanged
95-9894	38	39	3	Bolt-Flanged
95-9895	38	40	2	Bolt-Stud
95-9896	39	1	1	Case-Air Filter
95-9897	39	2	1	Case-Air Filter
95-9898	39	3	1	Element-Air Filter
95-9899	39	4	1	Element-Air Filter
95-9950	39	5	1	Element-Air Filter ASM
95-9951	39	6	1	Bracket
95-9952	39	7	1	Bracket
95-9953	39	8	2	Gasket
95-9954	39	10	3	Collar
95-9955	39	11	4	Collar
95-9956	39	12	1	Tube
95-9957	39	13	2	Washer
95-9958	39	14	3	Screw-Pan-Wsp
95-9959	39	15	4	Screw-Pan-Wsp
95-9960	40	1	1	Fuel Pump
95-9961	41	1	1	Clutch ASM
95-9962	40	2	1	Fuel Filter
95-9963	41	4	1	Cover
95-9964	41	6	1	Cover-ASM
95-9965	41	7	1	Cover-ASM

*Not Illustrated

Toro Part Number Index (cont.)

Part No.	Page No.	Ref. No.	Qty.	Description
95-9966	41	11	1	Starter-Electric
95-9967	41	13	1	Stopper
95-9968	41	19	2	Nut-Hex-Small
95-9972	38	28	1	O-Ring
98-1459	5	30	1	Decal
98-1474	5	1	1	Steering Wheel ASM
98-1602	12	5:2	2	Decal-Sidelight
98-1606	13	6	2	Decal-520lx
98-1608	15	23:1	1	Decal-Danger (Only On: 73546)
98-1616	24	10	3	Clamp-Tube
98-1617	10	24	1	Clamp-Tube
98-1620	11	26	1	Link-Lift
98-1621	15	23	1	Tunnel Cover ASM (Only On: 73545)
98-1623	15	23	1	Tunnel Cover ASM (Only On: 73546)
98-1629	3	30	2	Washer
98-1632	3	9	2	Decal-Attach A Matic
98-1636	20	9	4	Bushing-Flange
98-1639	11	10	1	Pin-Clevis
98-1642	6	26	2	Cap-Spindle
98-1643-03	27	34	1	Screen-Chaff
98-1649	12	13	1	Washer-Spring
98-2358	19	15	1	Clamp-R
98-2358	23	15	2	Clamp-R
98-2358	28	7	3	Clamp-R
98-2390	16	44	1	Clamp-R
98-3050	24	5:1	1	Fitting Orifice
98-3051	12	16	1	Washer-Plastic
98-3052	4	20	1	Screw-Thread Locking
98-3087	4	5	1	Washer-Power Steering
98-3087	19	17	1	Washer-Power Steering
98-3499	21	4	1	Washer-Flat
98-3582	10	4	1	Bellcrank & Bushing ASM
98-3590-03	27	32	1	Bracket-Relay
98-3591	12	5:1	2	Socket
98-3595	12	24	1	Shield-Support Rod
98-3597	12	5:7	1	Decal-Headlight Reflector
98-5011	28	4	1	Cable-Battery
98-5014	1	5:1	1	Decal-Warning (Only On: 73545)
98-5014	1	21:1	1	Decal-Warning (Only On: 73545)
98-5015	1	5:1	1	Decal-Warning (Only On: 73546)
98-5015	1	21:1	1	Decal-Warning (Only On: 73546)
98-5015	15	25:1	1	Decal-Warning (Only On: 73546)
98-5023	26	39	1	Bumper
98-5024	27	11	1	Bracket ASM
98-5025-01	15	25	1	Tunnel ASM (Only On: 73545)
98-5026	27	37	1	Foam-Baffle
98-5056	28	12	1	Strap ASM
98-5058-01	15	25	1	Tunnel ASM (Only On: 73546)
98-5061-03	1	21	1	Support ASM (Only On: 73545)
98-5063-03	1	21	1	Support ASM (Only On: 73546)
98-5064-03	1	5	1	Support ASM (Only On: 73545)
98-5070-03	1	5	1	Support ASM (Only On: 73546)
98-5072	28	19	1	Tie-Cable
98-7203	1	12	1	Hood Support ASM
98-7204	12	1:2	1	Rear Bulkhead ASM (Incl. Ref. #1:4 1:5 1:6)
98-7205	12	1	1	Hood ASM
98-7207	20	18	1	Hydro Pedal ASM
98-7208	24	22	1	Rear Body ASM
98-7210	12	5:3	1	Reflector ASM (Incl. Ref. #5:2 & 5:7)
98-7211	5	1:1	1	Cover ASM (Incl. Ref. #30)
98-7216	27	6	1	Trim-Loc
98-7249	28	5	2	Relay

*Not Illustrated

Toro Part Number Index (cont.)

Part No.	Page No.	Ref. No.	Qty.	Description
98-7359	36	20	1	Gasket
98-7360	36	1	1	Sensor
98-7361	36	28	2	Band
98-7362	37	3	1	Arm-Pivot
98-7363	37	4	1	Spring-Governor
98-7364	37	6	1	Arm-Governor
98-7365	37	7	1	Governor ASM
98-7366	38	7	1	Carburetor ASM
98-7367	38	16	1	Shaft-Carb.
98-7368	38	41	1	Clamp
98-7369	31	13	1	Pipe-Oil Level
98-7370	34	20	1	Receiver-Oil
98-7371	34	10	1	Gauge-Oil
98-7372	34	21	2	Collar
98-7373	35	46	1	Hose-Coolant
98-7374	37	16	2	Screw-Torx (Only On: 73546)
98-7377	30	4	1	ASM-Pump
98-7378	30	58	1	Fitting-90 Bent Tube
98-7379	30	50	1	Body
98-7380	30	57	1	ASM-Body
98-7390	24	5:10	1	Gage
98-7394	35	45	1	Bracket
98-8063	26	1	1	Engine Service ASM
98-8083	3	6	1	Hitch ASM
98-8086	6	12	2	Balljoint-RH Thread
98-8088	6	6	2	Nut-Lock
98-8089	6	28	2	Nut-Lock
98-8711	15	31	1	Gate-Hi Lo Shift
99-2326	24	5:6	1	Gasket-Fuel Sender
99-3716	24	5:3	1	Fitting-Fuel Shut Off
105763-03	7	20	2	Hub-Wheel
218-578	28	*	2	10 Amp Fuse
237-21	4	21:2	2	O-Ring
237-21	5	15:2	2	O-Ring
237-21	11	7:2	3	O-Ring
237-21	11	17:2	1	O-Ring
237-22	2	14:1	2	O-Ring
237-22	5	10:2	1	O-Ring
237-22	5	17:1	2	O-Ring
237-22	8	39:1	1	O-Ring
237-22	8	40:2	1	O-Ring
237-22	11	21:2	1	O-Ring
237-22	11	22:2	2	O-Ring
237-30	8	16:2	1	O-Ring
237-30	8	18:2	1	O-Ring
237-42	2	14:2	2	O-Ring
237-42	4	21:1	2	O-Ring
237-42	5	10:1	1	O-Ring
237-42	5	15:1	2	O-Ring
237-42	5	17:2	2	O-Ring
237-42	8	16:1	1	O-Ring
237-42	8	18:1	1	O-Ring
237-42	8	39:2	1	O-Ring
237-42	8	40:1	1	O-Ring
237-42	11	7:1	3	O-Ring
237-42	11	17:1	1	O-Ring
237-42	11	21:1	1	O-Ring
237-42	11	22:1	1	O-Ring
237-80	8	23:1	1	O-Ring
2412-36	24	5:4	1	Clamp
2412-94	24	6	1	R-Clamp
2412-98	26	30	2	Clamp-Hose

*Not Illustrated

Toro Part Number Index (cont.)

Part No.	Page No.	Ref. No.	Qty.	Description
2412-104	26	24	1	Clamp
2412-106	2	28	1	R Clamp
2412-141	8	21	2	Clamp-Hose
251-82	4	8	2	Bearing-Ball
253-44	7	38	1	Seal-Oil
281-10	7	24	1	Plug-Pipe
281-10	8	25	1	Plug-Pipe
283-16	11	25	1	Pin-Clevis
283-47	18	11	1	Pin-Clevis
289-51	26	38	1	Nipple-Pipe
2811-16	26	37	1	Elbow-90 DEG
302-5	6	18	2	Fitting-Grease
302-5	10	25	1	Fitting-Grease
302-5	20	24	1	Fitting-Grease
302-5	22	17	2	Fitting-Grease
302-11	6	16	1	Fitting-Grease
321-3	24	9	1	Screw-HH
321-3	26	13	2	Screw-HH
321-3	26	33	2	Screw-HH
321-3	27	21	2	Screw-HH
321-4	2	25	3	Screw-HH
321-4	2	34	2	Screw-HH
321-4	28	17	2	Screw-HH
321-5	8	29	2	Screw-HH
321-8	27	29	2	Screw-HH
321-10	11	23	2	Screw-HH
322-2	27	4	4	Screw-HH
322-3	1	4	12	Screw-HH
322-3	15	26	14	Screw-HH
322-3	17	19	2	Screw-HH
322-3	26	6	4	Screw-HH
322-5	20	17	2	Screw-HH
322-5	27	23	6	Screw-HH
322-6	4	17	4	Screw-HH
322-6	5	24	2	Screw-HH
322-6	17	1	1	Screw-HH
322-7	9	5	4	Screw-HH
322-9	17	7	2	Screw-HH
322-10	17	14	1	Screw-HH
322-11	9	7	4	Screw-HH
322-12	17	6	1	Screw HH
322-13	17	32	1	Screw-HH
322-32	6	9	2	Screw-HH
323-4	2	38	2	Screw-HH
323-4	28	15	1	Screw-HH
323-6	2	42	4	Screw-HH
323-6	3	24	2	Screw-HH
323-6	23	1	4	Screw-HH
323-6	24	11	1	Screw-HH
323-6	26	10	2	Screw-HH
323-7	1	16	4	Screw-HH
323-7	2	5	4	Screw-HH
323-7	3	11	4	Screw-HH
323-7	4	1	2	Screw-HH
323-7	10	1	5	Screw-HH
323-7	20	1	4	Screw-HH
323-7	26	27	4	Screw-HH
323-8	4	26	1	Screw-HH
323-8	8	37	2	Screw-HH
323-9	8	36	3	Screw-HH
323-10	4	15	1	Screw-HH
323-13	8	20	4	Screw-HH

*Not Illustrated

Toro Part Number Index (cont.)

Part No.	Page No.	Ref. No.	Qty.	Description
323-15	4	12	1	Screw-HH
323-18	10	23	4	Screw-HH
323-44	3	8	6	Screw-HH
3218-3	7	19	4	Nut-HJ
3220-2	17	36	1	Nut-Jam
3220-3	17	40	1	Nut-Hex Jam
3220-3	20	23	1	Nut-Hex Jam
3220-3	22	10	1	Nut-Hex Jam
3220-5	6	3	2	Nut-Hex
3220-12	6	11	2	Nut-Hex
3220-16	21	6	1	Nut-HJ
3220-16	22	8	1	Nut-HJ
3220-20	17	34	1	Nut-Hex Jam
3229-1	2	31	1	Bolt-CARR
3229-1	27	17	2	Bolt-CARR
3229-1	5	7	2	Screw-CARR
3230-1	2	36	2	Bolt-CARR
3230-2	3	32	2	Screw-CARR
3230-16	1	19	4	Screw-CARR
3230-16	15	22	10	Screw-CARR
3230-16	19	11	2	Screw-CARR
3231-22	18	12	1	Bolt-CARR
3231-25	2	1	2	Screw-CARR
3231-25	6	27	2	Screw-CARR
3231-25	20	6	2	Screw-CARR
3232-5	10	19	2	Screw-CARR
3234-29	15	9	4	Screw-HHF
3235-22	2	7	5	Screw-HH
3235-22	3	10	2	Screw-HH
3235-22	7	32	2	Screw-HH
3243-5	7	18	4	Screw-Set
3247-2	8	10	1	Screw-Set
3250-29	15	4	4	Screw
3250-31	24	5:7	5	Screw
3253-3	2	26	3	Washer-Lock
3253-3	8	38	2	Washer-Lock
3253-3	24	8	1	Washer-Lock
3253-3	27	20	2	Washer-Lock
3253-4	16	43	4	Washer-Lock
3253-4	26	5	4	Washer-Lock
3253-4	27	3	4	Washer-Lock
3253-5	26	9	2	Washer-Lock
3253-17	24	5:8	5	Lockwasher
3253-21	28	16	1	Washer-Lock
3256-3	9	8	4	Washer-Flat
3256-22	2	27	3	Washer-Flat
3256-22	2	29	1	Washer-Flat
3256-22	5	31	2	Washer-Flat
3256-22	24	7	1	Washer-Flat
3256-22	26	40	4	Washer-Flat
3256-22	27	19	2	Washer-Flat
3256-23	1	3	12	Washer-Flat
3256-23	12	9	2	Washer-Flat
3256-23	15	12	17	Washer-Flat
3256-23	19	14	1	Washer-Flat
3256-23	27	2	6	Washer-Flat
3256-24	2	18	5	Washer-Flat
3256-24	3	12	16	Washer-Flat
3256-24	7	34	2	Washer-Flat
3256-24	10	5	4	Washer-Flat
3256-24	18	13	1	Washer-Flat
3256-24	20	8	3	Washer-Flat

*Not Illustrated

Toro Part Number Index (cont.)

Part No.	Page No.	Ref. No.	Qty.	Description
3256-24	22	13	2	Washer-Flat
3256-24	23	14	2	Washer-Flat
3256-24	24	21	1	Washer-Flat
3256-24	26	17	3	Washer-Flat
3256-26	10	14	2	Washer-Flat
3256-26	17	28	1	Washer-Flat
3256-26	23	6	2	Washer-Flat
3256-26	5	37	1	Washer-Flat
3256-28	10	10	2	Washer-Flat
3256-42	4	14	1	Washer-Flat
3256-55	22	11	1	Washer-Flat
3256-57	11	15	1	Washer-Flat
3256-57	17	25	1	Washer-Flat
3256-61	1	24	2	Washer-Flat (Only On: 73546)
3257-24	17	26	1	Key-Woodruff
3269-12	12	1:3	6	Rivet-Pop
3269-12	27	5	2	Rivet-Pop
3272-1	11	8	1	Pin-Cotter
3272-6	7	33	2	Pin-Cotter
3272-10	10	15	2	Pin-Cotter
3272-10	12	15	1	Pin-Cotter
3272-10	18	6	1	Pin-Cotter
3272-10	20	7	2	Pin-Cotter
3272-10	22	12	1	Pin-Cotter
3272-10	23	7	2	Pin-Cotter
3272-18	6	24	2	Pin-Cotter
3274-14	19	3	6	Screw-HSH
3274-31	12	2	4	Screw-HS
3290-221	3	22	2	Washer-Spring
3290-392	19	8	2	Screw-HH
3290-479	15	19	18	Fastener-Panel
3296-1	19	12	2	Locknut
3296-2	19	1	6	Nut-Lock
3296-6	20	22	1	Nut-Lock
3296-6	21	2	1	Nut-Lock
3296-6	22	4	1	Nut-Lock
3296-8	26	26	2	Nut-Lock
3296-8	27	30	4	Nut-Lock
3296-29	1	14	16	Nut-Lock
3296-29	2	10	3	Nut-Lock
3296-29	3	34	2	Nut-Lock
3296-29	4	16	4	Nut-Lock
3296-29	5	20	2	Nut-Lock
3296-29	6	7	2	Nut-Lock
3296-29	9	9	8	Nut-Lock
3296-29	12	8	3	Nut-Lock
3296-29	15	14	27	Nut-Lock
3296-29	17	12	7	Nut-Lock
3296-29	19	4	2	Nut-Lock
3296-29	20	16	2	Nut-Lock
3296-29	21	5	1	Nut-Lock
3296-29	27	31	6	Nut-Lock
3296-39	1	20	4	Nut-Lock
3296-39	2	3	10	Nut-Lock
3296-39	3	13	8	Nut-Lock
3296-39	4	6	4	Nut-Lock
3296-39	6	1	2	Nut-Lock
3296-39	10	3	15	Nut-Lock
3296-39	18	1	1	Nut-Lock
3296-39	20	2	6	Nut-Lock
3296-39	22	16	1	Nut-Lock
3296-39	23	2	4	Nut-Lock

*Not Illustrated

Toro Part Number Index (cont.)

Part No.	Page No.	Ref. No.	Qty.	Description
3296-39	24	12	1	Nut-Lock
3296-39	26	23	4	Nut-Lock
3296-42	2	30	1	Nut-Lock
3296-42	5	5	2	Nut-Lock
3296-42	11	13	2	Nut-Lock
3296-45	17	29	1	Nut
3296-48	10	9	2	Nut-Lock
3296-61	6	15	1	Nut-Hex
32103-22	28	9	4	Nut-Wing
32115-15	2	43	1	Retainer
32120-64	8	13	1	Ring-Retaining
32121-16	18	10	1	Pin-Roll
32121-79	10	11	2	Roll Pin
32128-30	17	18	1	Nut-Flange
32144-4	15	32	2	Screw-TAP
32144-4	26	3	2	Screw-TAP
32144-20	15	30	4	Screw
32144-32	14	14	4	Screw-Plastic
32144-42	1	25	2	Screw-HH TAP (Only On: 73546)
32144-70	26	25	1	Screw-TAP
32151-29	8	34	2	Ring-Ext. Snap
32152-4	26	11	2	Locknut
32153-3	26	15	4	Nut
33013-00	39	16	4	Nut-Hex M6
33103-020	5	12	1	Screw-HHF
33103-025	5	26	3	Screw-HHF
33114-016	26	4	4	Screw-HH
NN10277	28	*	1	30 Amp Fuse