



Wheel Horse[®]
270-H Yard & Garden Tractor
270-HE Yard & Garden Tractor
Model No. 72108-200000001 and Up
Model No. 72116-200000001 and Up

Parts Catalog

Ordering Replacement Parts

To order replacement parts, please supply: the part number, the quantity, and the description of each part desired.

Understanding Reference Numbers

Each identified part in an illustration has a reference number. The reference number for a part also appears in the parts list, along with other information about the part.

This catalog uses two special reference number formats, one to indicate parts in a service assembly and another to indicate the quantity of a given part in an illustration.

Service Assembly Reference Numbers

Parts in service assemblies have reference numbers in the form **a:b**. The **a** represents the reference number of the entire service assembly and the **b** represents a sequential number unique to each part within the service assembly.

For example, a wheel assembly might be identified by reference number **6**, the tire by **6:1**, the valve by **6:2**, and the wheel by **6:3**. When you order the assembly identified by reference number **6**, you receive all parts identified by reference numbers **6:1**, **6:2**, and **6:3**. However, you may also order any part individually.

Reference numbers of this type appear in illustrations and in part lists.

Reference Numbers Indicating Quantity

In an illustration, if a reference number indicates more than one part, the reference number has the form **nX y**. The **n** represents the quantity of the part, the **X** is the multiplication symbol, and the **y** represents the reference number.

For example, in an illustration, the reference number **2X 37** means that two of the parts identified by reference number **37** are indicated.

Contents

Description	Page	Description	Page
Hood & Grill Assembly	3	Frame Assembly	15
Hydro Drive Assembly	4	Hydro Transaxle Assembly	16
Front Axle Assembly	5	Fender & Footrests Assembly	17
Twin Cylinder Engine,		Seat Assembly	18
Muffler & PTO Assembly	6	Dash Assembly	19
Battery Assembly	7	Rear Wheel Assembly	20
Fuel Tank Assembly	8	Cruise Control Assembly	21
Lower Steering Assembly	9	Power Lift Assembly	22
Steering Wheel & Tilt Assembly	10	Transaxle	23-26
Hoodstand & Firewall Assembly	11	Engine Assembly	27-38
Lift Lever & HOC Assembly	12	Pump Assembly	39
Hydro Brake Assembly	13	Wiring Assembly	40-42
Hydro Controls Assembly	14	Maintenance	43

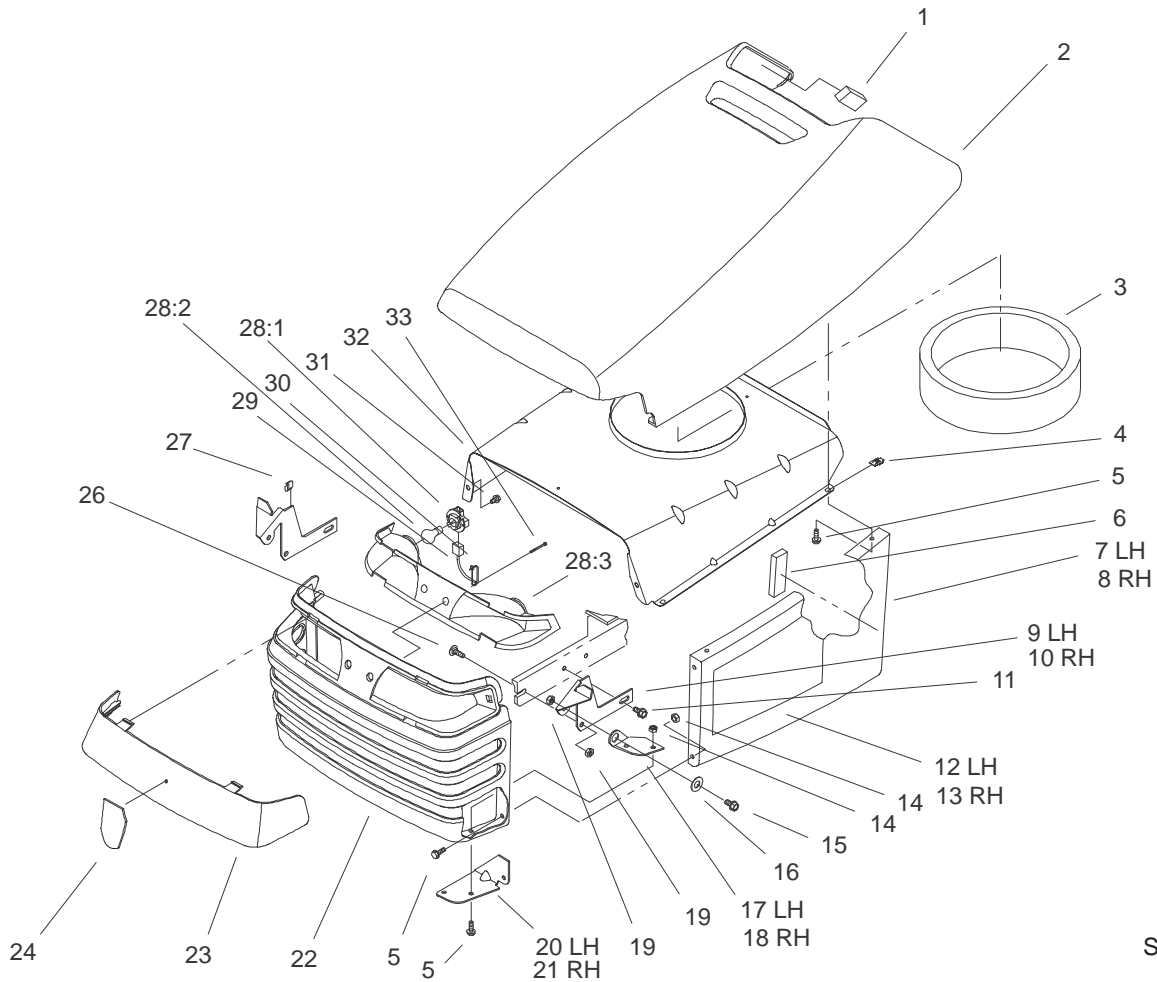
Accessories

Description	Model / Part No.	Description	Model / Part No.
38" Side Discharge Mower (Model No. 72108 Only)	Model No. 78216	11 Cubic Foot Twin Bagger (For 38" SD Mower)	Model No. 79202
42" Side Discharge Mower (Model No. 72108 Only)	Model No. 78231	11 Cubic Foot Twin Bagger (For 42" & 48" SD Mower)	Model No. 79203
48" Side Discharge Mower (Model No. 72108 Only)	Model No. 78261	36" Tiller	Model No. 79271
52" Side Discharge Mower (Model No. 72108 Only)	Model No. 78281	48" Dozer Blade	Model No. 79253
38" Side Discharge Mower (Model No. 72116 Only)	Model No. 78218	42" Snowthrower	Model No. 79263
42" Side Discharge Mower (Model No. 72116 Only)	Model No. 78232	38" Recycler Kit	Model No. 79170
48" Side Discharge (Model No. 72116 Only)	Model No. 78268	Baffle Kit – 42" SD Mower	Model No. 85501
52" Side Discharge Mower (Model No. 72116 Only)	Model No. 78253	48" Blade Adapter	Part No. 92-6828
		42" Snowthrower Adapter	Part No. 93-7625
		48" Recycler Kit	Model No. 79195
		52" Recycler Kit	Model No. 79185
		48" Blade Skid Shoe	
		(Model No. 72116 Only)	Part No. 92-6840

Part Description Abbreviations

Part descriptions in this catalog may include the following abbreviations.

Abbreviation	Meaning	Abbreviation	Meaning
AR	as required	INC	incorporated
ASM	assembly	LH	left hand
CARR	carriage	NI	nylon insert
DEG	degrees	PPH	Phillips pan head
FH	flat head	PTH	Phillips truss head
GA	gauge	PTO	power take off
HF	hex flange	RH	right hand
HH	hex head	SFH	slotted fillister head
HHF	hex head flange	SHH	slotted hex head
HLH	hex lag head	SQH	square head
HJ	hex jam	SHWH	slotted hex washer head
HOC	height-of-cut	SPH	slotted pan head
HS	hex socket	SRH	slotted round head
HSBH	hex socket button head	STD	standard
HSFH	hex socket flat head	TAP	self tapping
HSH	hex socket head	TTH	Torx truss head
HWH	hex washer head	WH	wing head
HWHTF	hex washer head thread forming		

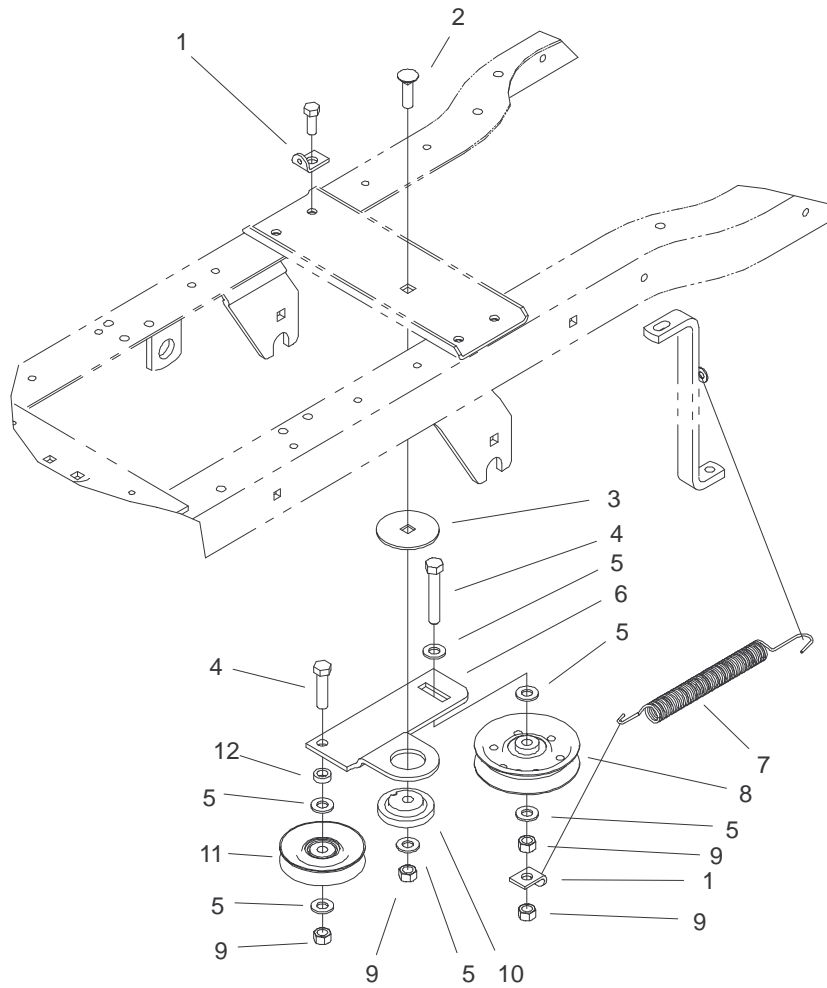


Sheet No.:2

Hood & Grill Assembly

Ref. No.	Part No.	Qty.	Description	Ref. No.	Part No.	Qty.	Description
1	94-1980	2	Foam - Hood	26	3230-1	2	Screw-CARR
2	93-0490	1	Hood ASM	27	519337	1	Clip-Cable
3	92-7076	1	Seal-Air Inlet Twin	*	88-3970	1	Reflector & Lamp ASM
4	92-7006	4	Nut - J Type	28:1	111686	2	Socket-Light
5	32105-15	12	Screw-Machine	28:2	7228	2	Bulb -No. 1156
6	92-7148	2	Foam - Sidepanel	28:3	93-8741	1	Reflector
7	93-0491	1	Hood-Side, LH	29	88-4320	1	Wire Harness-Lights
8	93-0492	1	Hood-Side, RH	30	614249	1	Tie Strap
9	92-6918-03	1	Bracket-Hinge, LH	31	46-8093	2	Screw-Plastite
10	92-6917-03	1	Bracket-Hinge, RH	32	92-6914-03	1	Baffle-Hood Upper
11	32144-14	2	Screw-HWH	33	32144-32	2	Screw
12	95-0801	1	Decal-Hood, LH				
13	95-0800	1	Decal-Hood, RH				
14	32128-10	8	Locknut-Flange				
15	322-3	2	Screw-HH				
16	105503	2	Bushing				
17	92-6997-03	1	Hinge-Hood, LH				
18	92-6996-03	1	Hinge-Hood, RH				
19	3296-29	4	Nut-Lock, NI				
20	92-7049-03	1	Bracket-Hood Hinge, RH				
21	92-7048-03	1	Bracket-Hood Hinge, LH				
22	100-6068	1	Grill				
23	92-6656	1	Lens - Headlight				
24	92-6987	1	Emblem-Horsehead				

* Not illustrated

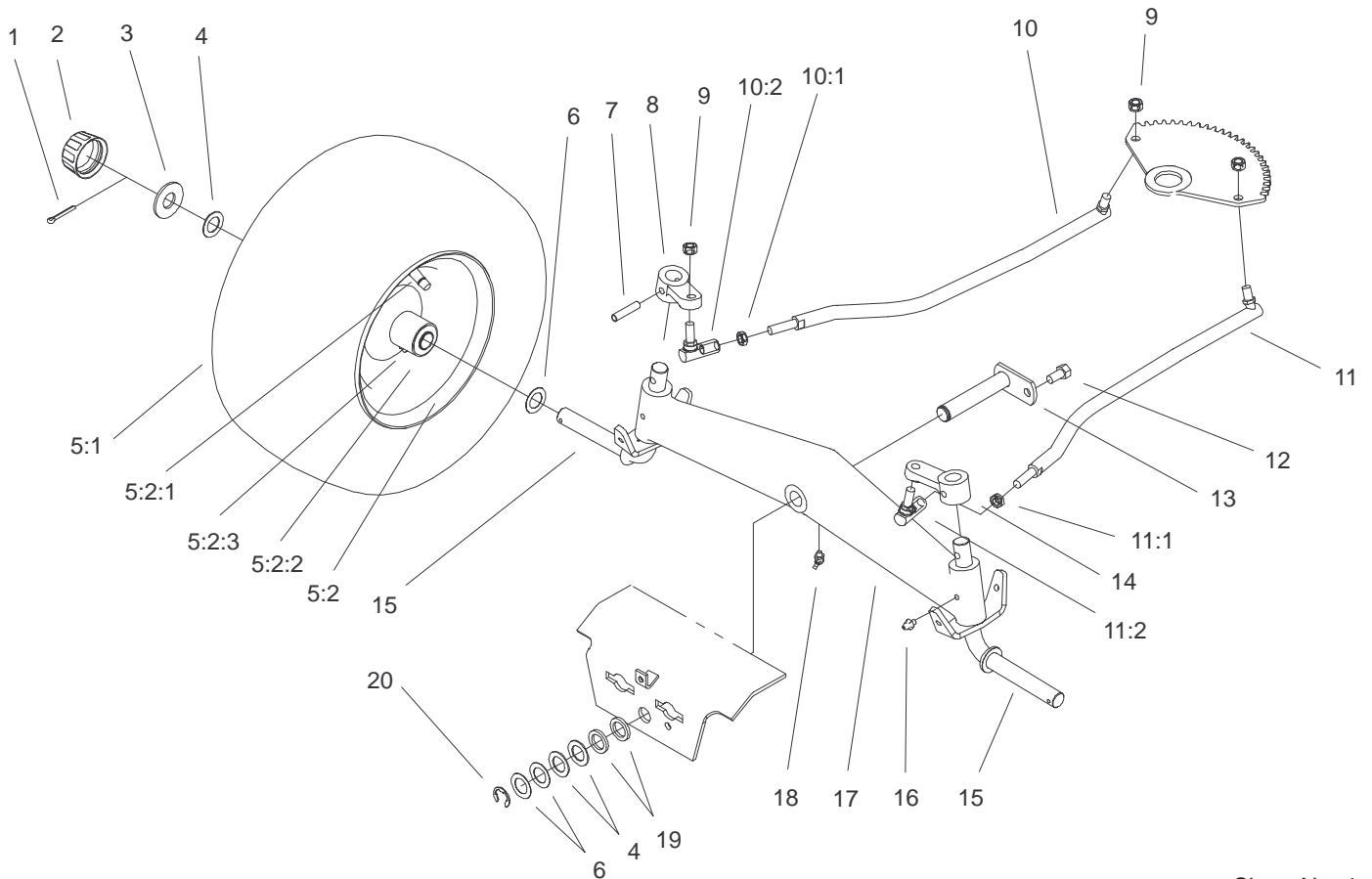


Sheet No.:3

Hydro Drive Assembly

Ref. No.	Part No.	Qty.	Description
1	2534	2	Clip – Spring
2	3231-25	1	Screw-CARR
3	111419	1	Bearing-Washer
4	323-10	2	Screw-HH
5	3256-24	6	Washer-Flat
6	92-6900	1	Arm – Idler Hydro
7	79-7530	1	Spring – Clutch
8	92-7101	1	Pulley – Flat Idler
9	3296-59	4	Nut-Lock, NI
10	111418	1	Bushing
11	93-3658	1	Spacer
12	92-7102	1	Pulley – Idler

Ref. No.	Part No.	Qty.	Description



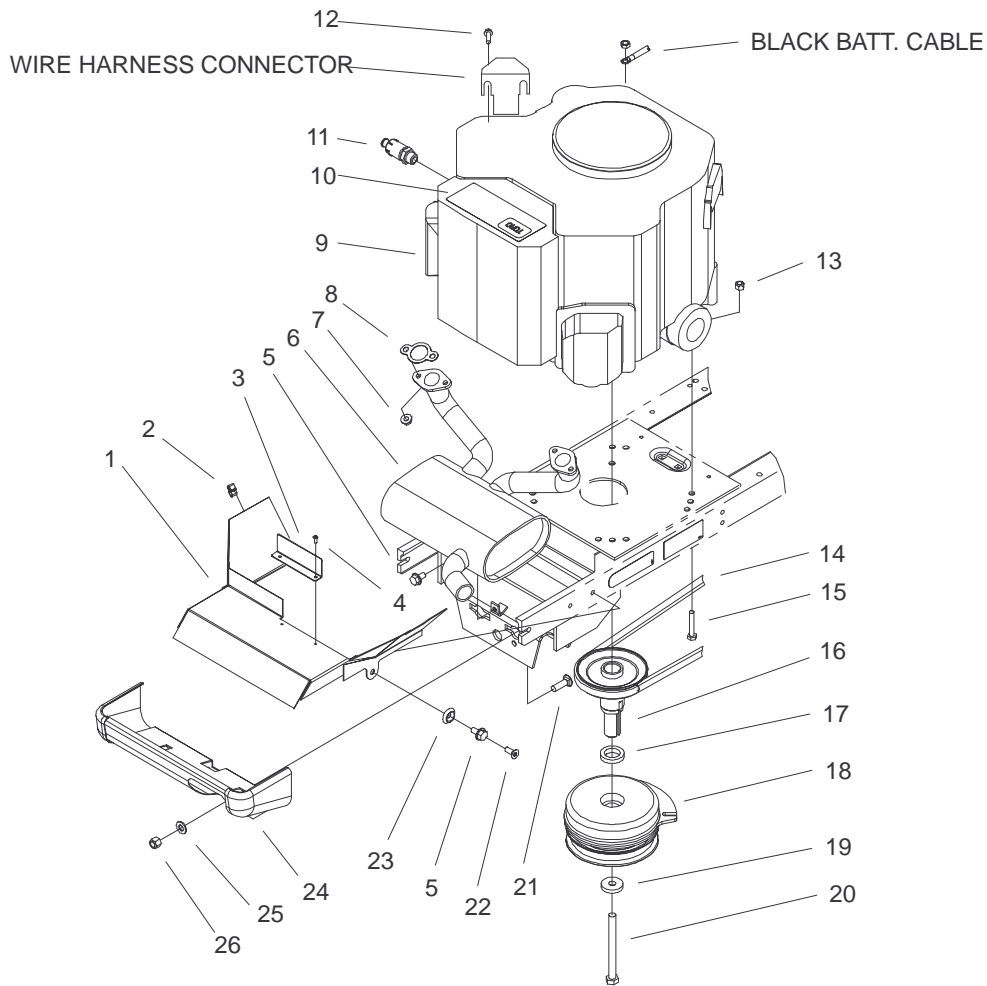
Sheet No.:4

Front Axle Assembly

Ref. No.	Part No.	Qty.	Description
1	3272-17	2	Pin-Cotter
2	61-9780	2	Cap-Hub
3	28-2480	2	Washer
4	1278	4	Washer
5:1	99-2336	1	Tire
5:2	93-9801	1	Wheel ASM
5:2:1	5108	1	Valve-Tubeless Tire
5:2:2	110513	2	Bearing-Wheel
5:2:3	109500	1	Zerk-Grease
*	105293	1	Tube
6	5210	4	Washer-Shim
7	933270	2	Pin
8	78-1950-01	1	Arm-Front Spindle
9	9150026	4	Nut-Eslok
10	92-6883	1	Linkage-Steering, RH
10:1	9150854	1	Jam Nut
10:2	78-2920	1	Ball-Joint
11	92-6884	1	Linkage-Steering, LH
11:1	9150854	1	Jam Nut
11:2	78-2920	1	Ball-Joint
12	9267154	1	Screw
13	92-7057-03	1	Pin-Axle
14	78-1940-01	1	Arm-Front Spindle
15	78-2601-01	2	Spindle
16	302-5	2	Fitting - Lube
17	78-7960-01	1	Axle-Front

Ref. No.	Part No.	Qty.	Description
18	302-11	1	Fitting-Lube, 45°
19	9202324	2	Washer
20	5618	1	E-Ring

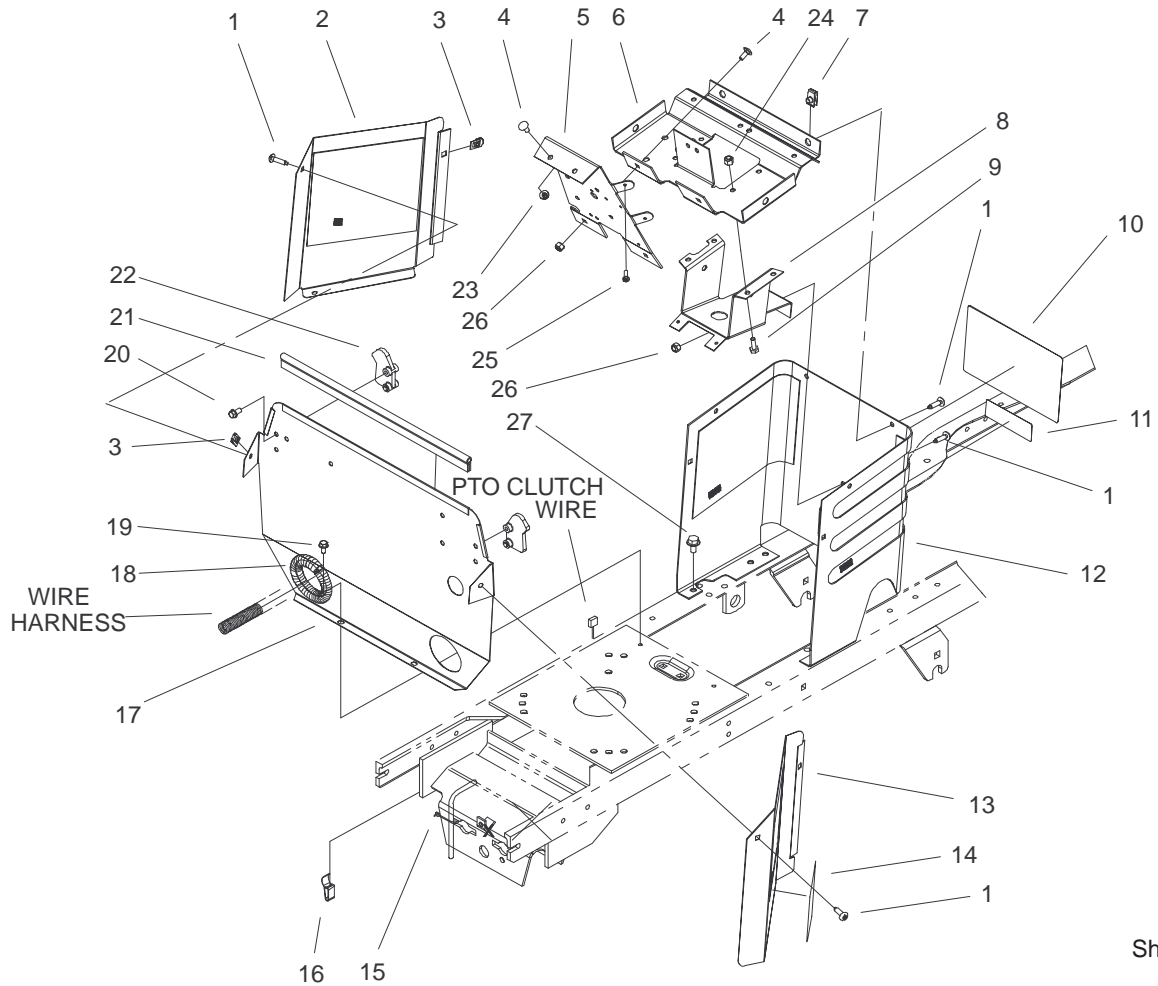
* Not illustrated



Sheet No.:5

Twin Cylinder Engine, Muffler & PTO Assembly

Ref. No.	Part No.	Qty.	Description	Ref. No.	Part No.	Qty.	Description
1	94-6950-03	1	Shield-Muffler, Twin	18	100-6060	1	Clutch-Elec PTO (only on: 72116)
2	702366	1	Clip-Wire Retainer	18	100-6059	1	Clutch-PTO (only on: 72108)
3	99-6764-03	1	Guard-Throttle (only on: 72116)	19	112843	1	Washer
4	100-1320	2	Screw-Panhead Torx (only on: 72116)	20	9114466	1	Screw-HH
5	32144-14	3	Screw-HWH (only on: 72108)	21	3231-25	2	Screw-CARR
5	32144-14	1	Screw-HWH (only on: 72116)	22	100-1325	2	Screw-Countersunk Torx (only on: 72116)
6	100-3543	1	Muffler-Twin	23	100-1326	2	Washer-Countersunk (only on: 72116)
7	92-6780	4	Nut-Hex Flange	24	100-3541-01	1	Muffler Shield ASM, Welded
8	93-0350	2	Gasket - Exhaust	25	3256-24	2	Washer-Flat
9	94-3515	1	Engine - Kohler 20 Int'l (only on: 72116)	26	3296-39	2	Nut-Lock, NI
9	94-3514	1	Engine - Kohler 20 (only on: 72108)				
10	94-2870	1	Decal - Toro Power + 20				
11	92-6877	1	Valve - Oil Drain				
12	32144-118	2	Screw-PPH				
13	3296-29	4	Nut-Lock, NI				
14	100-3469	1	V-Belt, Hydro				
15	322-9	4	Screw-HH				
16	92-6888	1	Pulley-Engine (Hydro)				
17	100-1340	1	Spacer-Cluth				

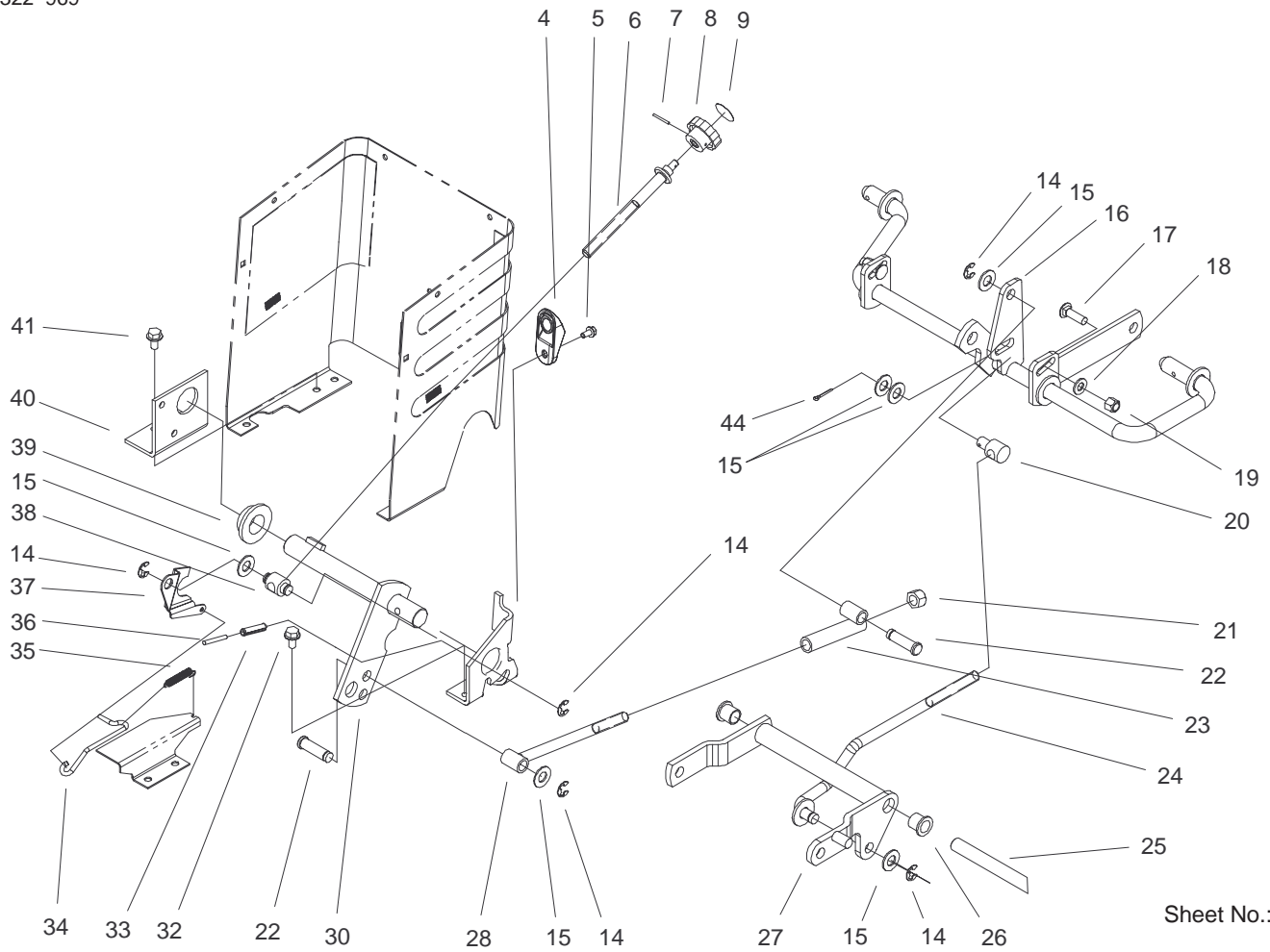


Sheet No.:10

Hoodstand & Firewall Assembly

Ref. No.	Part No.	Qty.	Description
1	92-7020	9	Screw-HH
2	92-6937-03	1	Cover-RH Side Wa
3	92-7006	4	Nut - J Type
4	3229-11	4	Screw-CARR
5	100-6064-03	1	Panel-Support, Dash
6	92-6859-03	1	Support - Dash
7	107069	4	Clip
8	92-6778-03	1	Brkt - Lower Column
9	321-4	4	Screw-HH
10	93-7313	1	Decal-Slope/Hydro- nt'l (only on: 72116)
10	93-0302	1	Decal - Danger (only on: 72108)
11	83-6620	1	Decal - Instruction
12	100-6070	1	Hoodstand w/Decals (only on: 72108)
12	100-6071	1	Hoodstand w/Decals (only on: 72116)
13	92-6936-03	1	Cover-LH Side Wa
14	95-0811	2	Decal - 270 Hydro
15	614249	1	Tie Strap
16	212-93	1	Casing Clamp
17	94-1749-03	1	Firewall
18	24-7924	2	Drive Shaft Cover
19	32144-4	2	Screw-HH
20	46-8093	2	Screw-Plastite

Ref. No.	Part No.	Qty.	Description
21	93-1131	1	Trim-Seal Firewall
22	92-6960	2	Latch - Hood
23	32149-2	2	Nut-Keps
24	3296-8	4	Nut-Lock NI
25	32144-8	2	Screw-HH
26	3296-42	3	Nut-Lock
27	32144-14	2	Screw-HWH

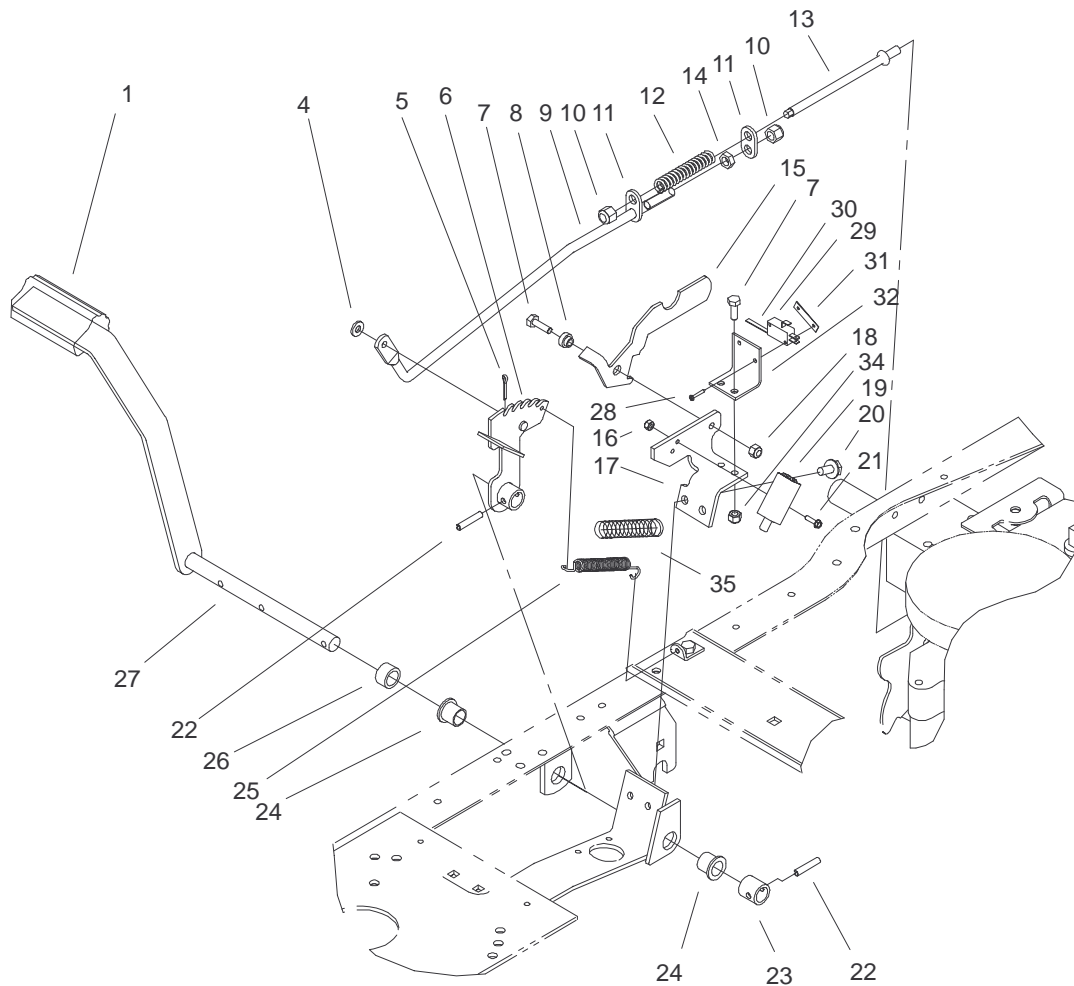


Sheet No.:11

Lift Lever & HOC Assembly

Ref. No.	Part No.	Qty.	Description
4	92-6794	1	Wedge – HOC
5	32144-4	1	Screw-HH
6	92-6965	1	Rod – HOC
7	933141	1	Pin-Spirol
8	115593	1	Knob
9	78-9740	1	Decal-Height Knob
14	32120-47	5	Ring-Retaining, Ext
15	3256-26	6	Washer-Flat
16	79-3401-03	1	Shaft-Gage
17	3231-25	2	Screw-CARR
18	3256-24	2	Washer-Flat
19	3296-39	2	Nut-Lock, NI
20	8870	1	Rod-Trunnion Lift
21	3296-23	1	Nut-Lock, NI
22	79-1250	2	Pin
23	78-7390	1	Tube
24	78-2431	1	Rod
25	94-4944	1	Shaft – Pedal Pivot
26	256-90	2	Bushing-Flange
27	92-6855-03	1	Arm-Pivot
28	78-7360	1	Wldmt-Rod
30	94-3552-03	1	Shaft-Lift
32	32144-14	2	Screw-HWH
33	32121-25	1	Pin-Roll
34	92-6978	1	Rod – HOC Indicator
35	92-7007	1	Spring – Extension

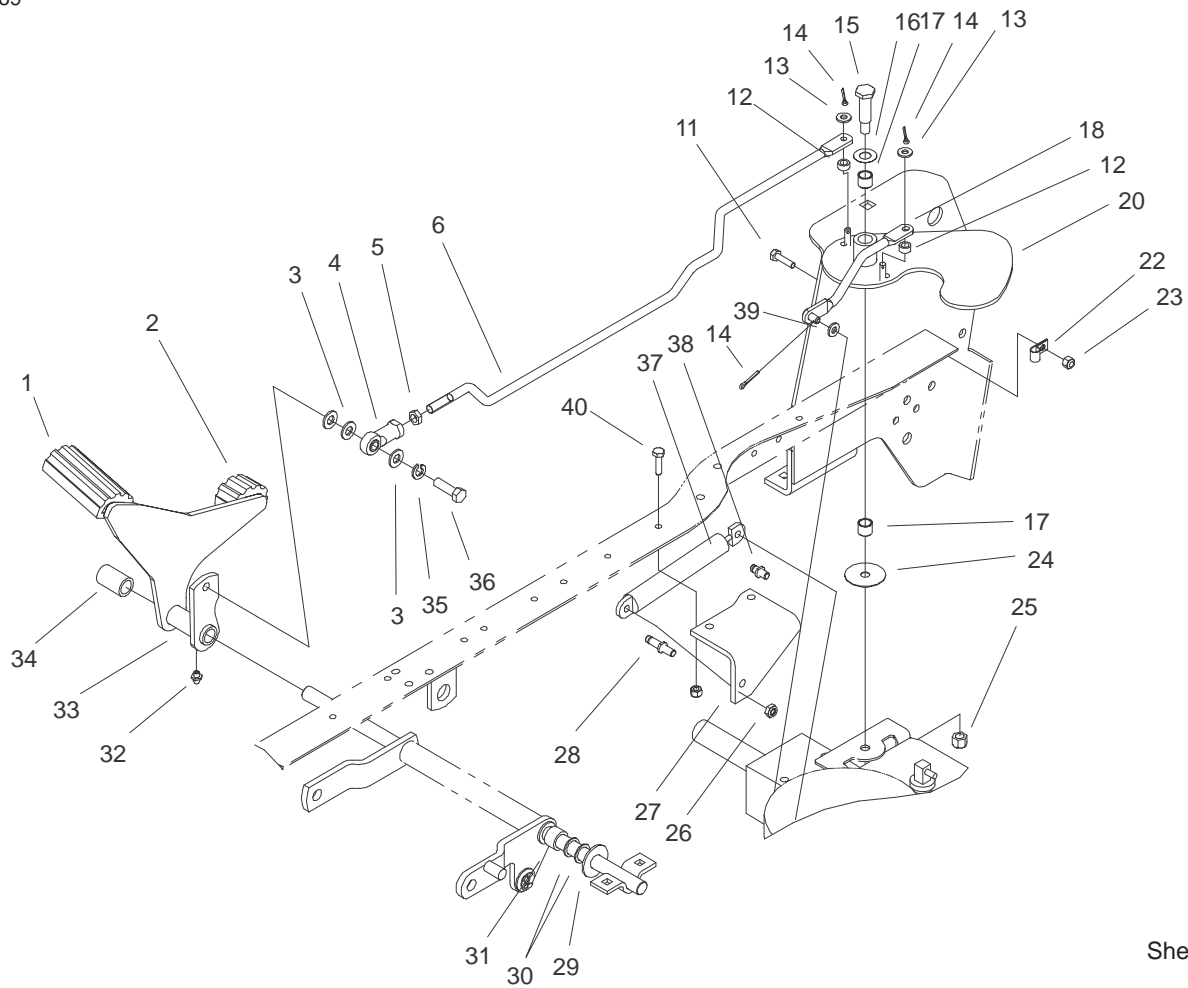
Ref. No.	Part No.	Qty.	Description
36	32121-103	1	Pin-Spring
37	92-6979	1	Plate – HOC Gage
38	78-2140	1	Trunnion
39	106269	1	Bearing-Flange
40	93-0523-03	1	Brkt-Pivot Linkage
41	32144-14	2	Screw-HWH
44	3272-6	1	Pin-Cotter



Sheet No.:12

Hydro Brake Assembly

Ref. No.	Part No.	Qty.	Description	Ref. No.	Part No.	Qty.	Description
1	65-2920	1	Pad-Pedal	26	92-6982	1	Spacer – Brake
4	3256-22	1	Washer-Flat	27	100-3476-03	1	Brake Pedal W.a.
5	3272-6	1	Pin-Cotter	28	147665	2	Screw-HH
6	100-3456	1	Brake ASM, Welded	29	88-9930	1	Switch-Micro
7	321-5	3	Screw-HH	30	93-3240	1	Plunger-Seal
8	78-3260	1	Spacer-Shoulder-.20	31	3290-354	1	Nut-Speed
9	100-3457	1	Rod-Brake	32	100-8724-03	1	Bracket-Switch
10	3296-5	2	Nut-Lock, NI	34	3296-42	2	Nut-Lock
11	100-8710	2	Guide, Brake Rod	35	94-1743	1	Tubing – Conduit
12	38-4520	1	Spring				
13	100-8709	1	Rod, Brake Adjustment				
14	3220-3	1	Nut-Jam				
15	100-3453-03	1	Catch-Parking Brake				
16	3296-1	2	Nut-Lock NI				
17	100-3454-03	1	Support-Parking Brake				
18	3296-42	1	Nut-Lock				
19	86-4690	1	Interlock Switch				
20	32144-14	2	Screw-HWH				
21	3290-392	2	Screw – Hex Head Slot				
22	32121-69	2	Pin – Spring				
23	100-8733	1	Tube-Plated				
24	256-90	2	Bushing-Flange				
25	93-0540	1	Spring – Extension				

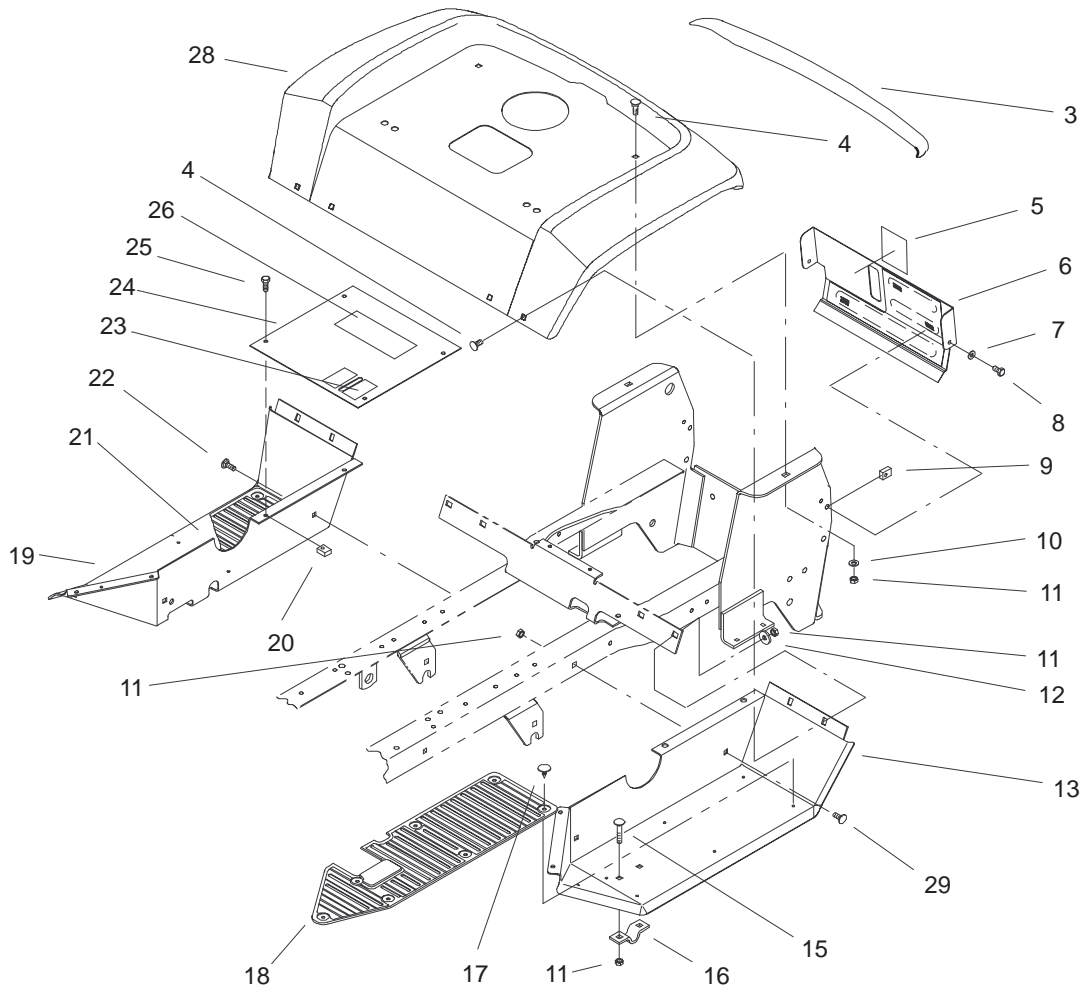


Sheet No.:13

Hydro Controls Assembly

Ref. No.	Part No.	Qty.	Description
1	92-6902	1	Pedal Pad
2	92-6903	1	Pedal Pad
3	3256-24	2	Washer-Flat
4	92-7008	1	Rod End - Female
5	3220-3	1	Nut-Jam
6	100-3450	1	Rod-Hydro
11	321-4	1	Screw-HH
12	92-6998	2	Spacer - Yoke, Right
13	3256-22	2	Washer-Flat
14	3272-6	3	Pin-Cotter
15	23-0310	1	Shoulder Bolt
16	98-3087	1	Washer - Power Steering
17	256-1	2	1/2id X 1/2lg Bushing
18	100-3468	1	Bell Crank Rod-W.a.
20	100-3451	1	Cruise Plate W.a.
22	2412-89	1	Clamp-R
23	3296-42	1	Nut-Lock
24	94-7575	1	Spacer - Cruise
25	3296-59	1	Nut-Lock, NI
26	3296-20	2	Nut-Lock NI
27	100-3460-03	1	Bracket-Gas Damper
28	100-6057	1	Pin-Damper Bracket
29	94-6875	1	Washer
30	9202154	2	Washer
31	94-4945	1	Spacer

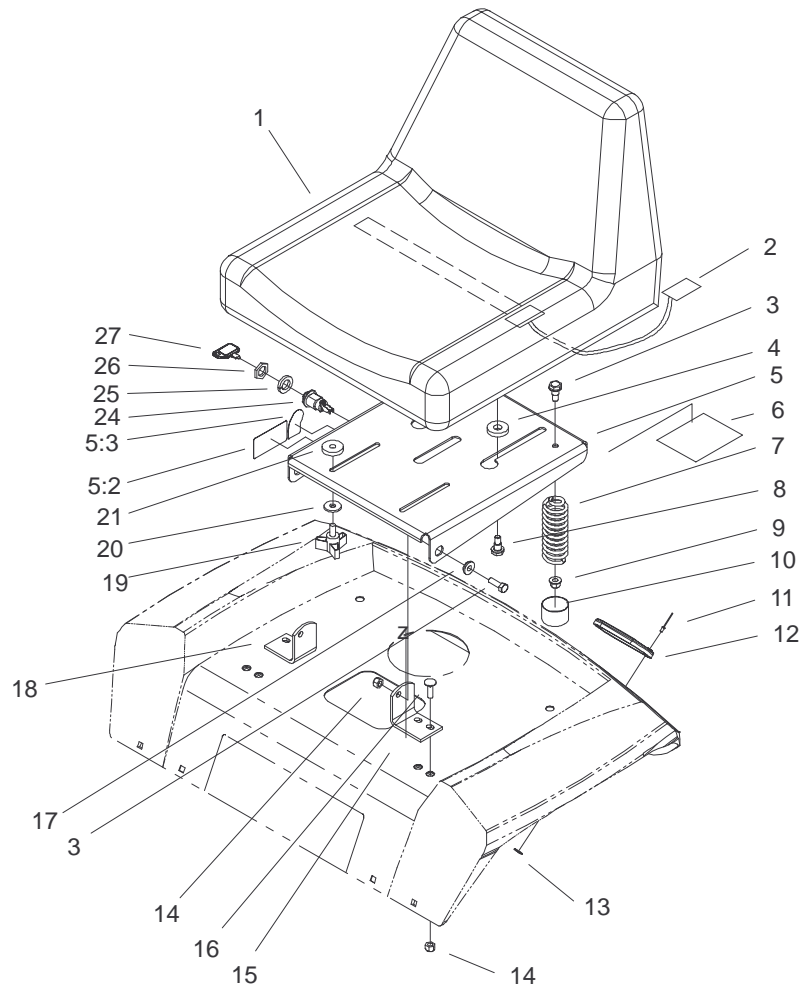
Ref. No.	Part No.	Qty.	Description
32	302-26	1	Zerk
33	100-6062-03	1	Hydro Pedal ASM, Welded
34	92-6966	1	Spacer
35	3253-5	1	Washer-Lock/Sp
36	323-7	1	Screw-HH
37	100-8732	1	Damper-Gas
38	100-6056	1	Pin-Damper, Control Arm
39	3256-23	1	Washer-Flat
40	32144-70	1	Screw-HH



Sheet No.:17

Fender & Footrests Assembly

Ref. No.	Part No.	Qty.	Description	Ref. No.	Part No.	Qty.	Description
3	95-0802	1	Decal – Rear Fender	24	94-4243	1	Plate – Footrest w/Decals (only on: 72116)
4	3230-31	6	Screw– Carriage	25	92-7020	4	Screw–HH
5	92-6727	1	Decal – Fuel Level	26	92-8946	1	Decal – Danger (only on: 72108)
6	99-6765-03	1	Rear Panel ASM	26	93-7314	1	Decal – Danger (only on: 72116)
7	3256-22	2	Washer–Flat	28	92-6795-01	1	Fender
8	321-4	2	Screw–HH	29	3230-23	1	Screw–CARR
9	609900	2	Nut–Speed				
10	3256-23	2	Washer–Flat				
11	3296-29	14	Nut–Lock, NI				
12	94-2869	4	Washer				
13	94-1711-01	1	Footrest–LH Hydro(Red)				
15	3230-1	4	Screw–CARR				
16	106288	2	Clamp				
17	3290-479	14	Fastener–Panel				
18	92-6688	1	LH Foot Mat (Hydro)				
19	92-6747-01	1	RH Footrest (Hydro)				
20	107069	4	Clip				
21	92-6687	1	RH Foot Mat (Hydro)				
22	3230-23	3	Screw–CARR				
23	92-6725	1	Decal – HOC (only on: 72108)				
23	92-7092	1	Decal – HOC Int'l (only on: 72116)				
24	93-0489-01	1	Plt – Ftrest w/Decal (only on: 72108)				

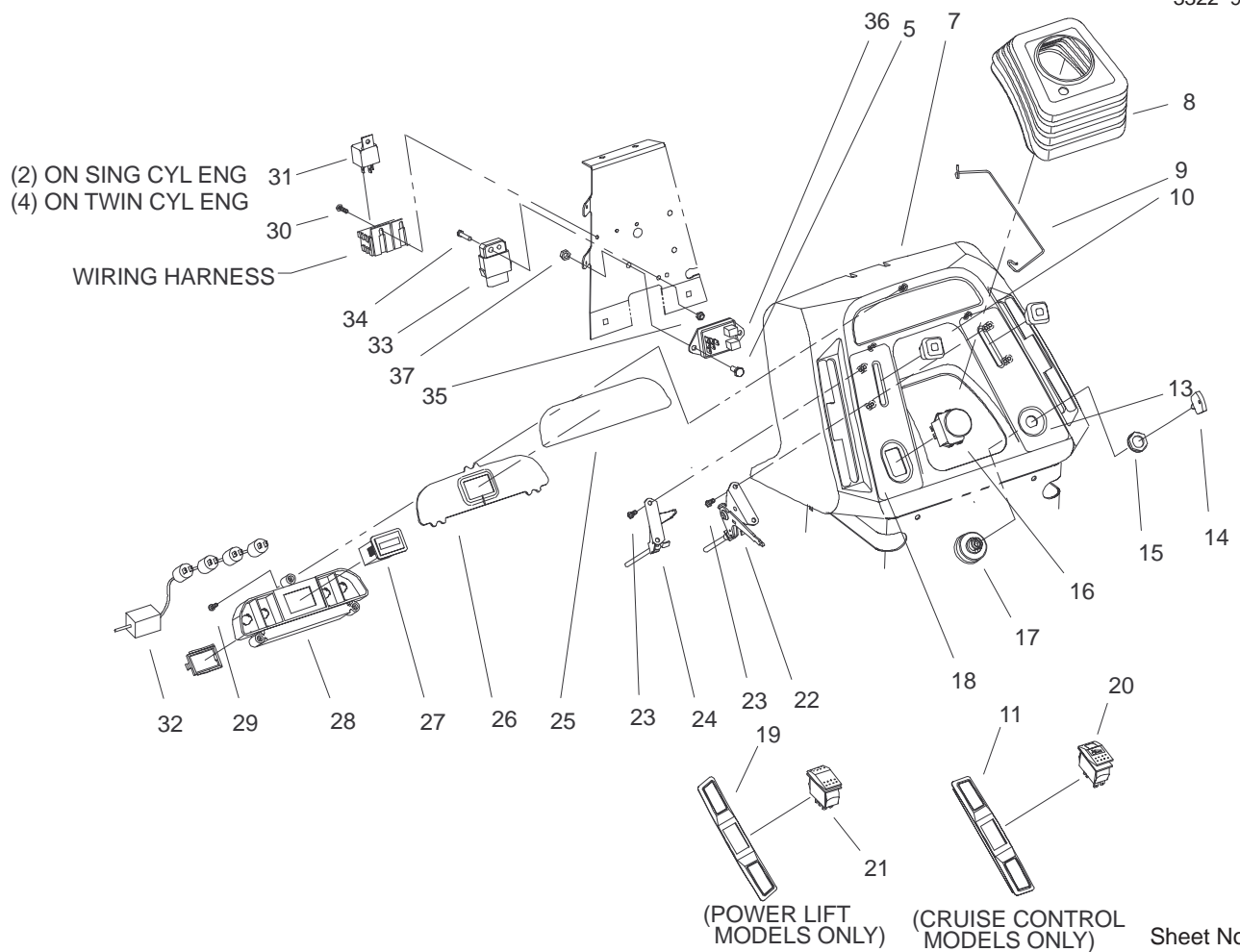


Sheet No.:18

Seat Assembly

Ref. No.	Part No.	Qty.	Description
1	92-6511	1	Seat V-511
2	38-1420	1	Switch-Seat
3	322-5	4	Screw-HH
4	92-6750	2	Spacer - Nylon
5	99-8030	1	Support-Seat, He
5	99-8031	1	Support-Seat (only on: 72116)
5:2	99-2986	1	Decal-Danger Intl (only on: 72116)
5:2	99-2985	1	Decal-Danger (only on: 72108)
5:3	99-5340	1	Decal-Nmir Switch Intl (only on: 72116)
5:3	99-5339	1	Decal-Nmir Switch (only on: 72108)
6	114621	1	Decal-Europe, Noise (only on: 72116)
7	92-7054	2	Spring - Compression
8	92-6986	2	Bolt - Shoulder
9	3296-58	2	Nut-Lock NI
10	701178	2	Cap-Protector
11	3290-282	4	Rivet-Pop, Steel
12	106557	2	Reflector-Stick On
13	3256-49	4	Washer-Flat
14	3296-29	6	Nut-Lock, NI

Ref. No.	Part No.	Qty.	Description
15	79-0950-03	1	Brkt-Pivot R.h. (Black)
16	3230-2	4	Screw-CARR
17	105503	2	Bushing
18	79-0970-03	1	Brkt-Pivot L.h.
19	700806	2	Knob
20	94-2869	2	Washer
21	109989	2	Spacer - Nylon
24	46-5780	1	Switch-Starter
25	3254-5	1	Washer-Lock/Intl
26	218-461	1	Nut-HH
27	62-7770	1	Key-Ignition

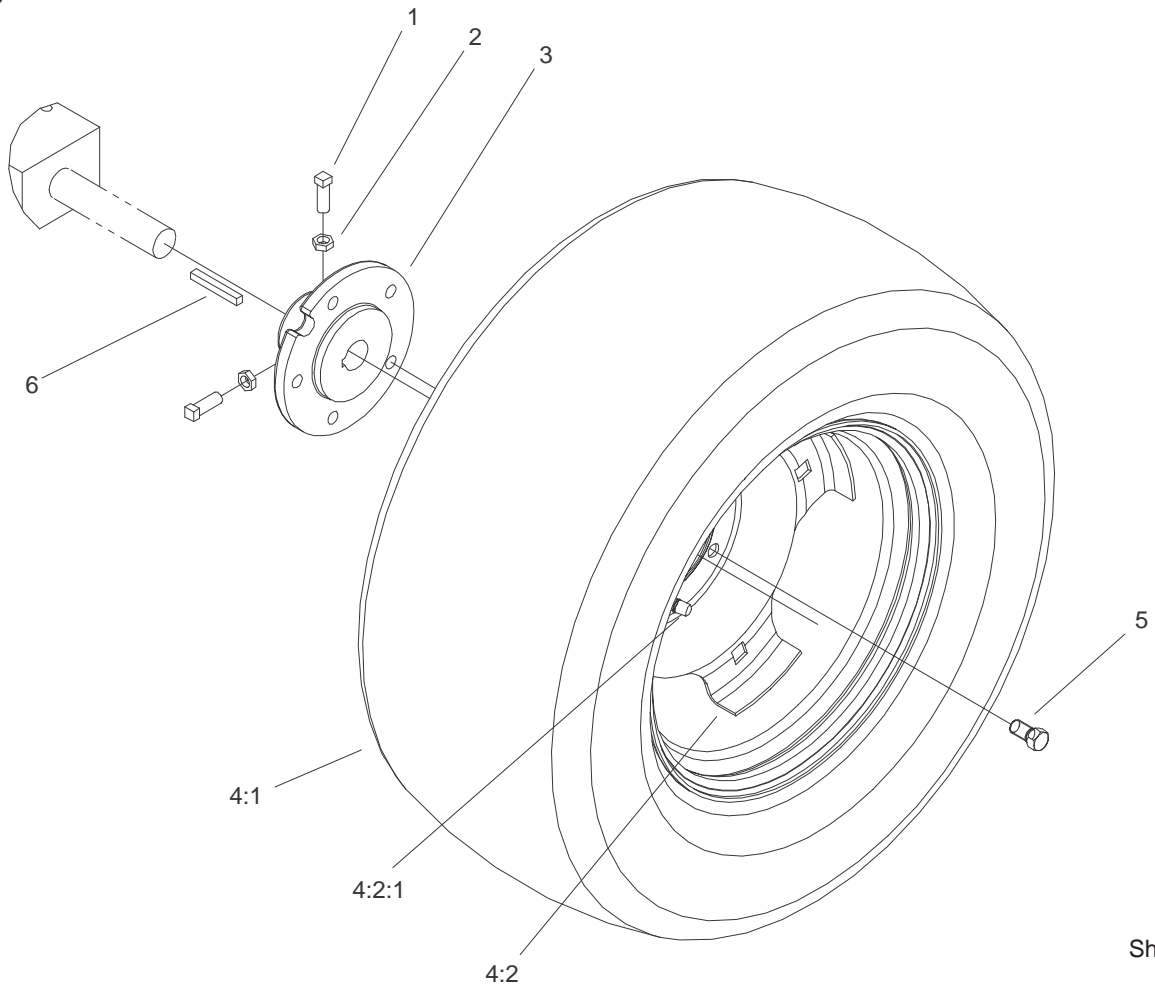


Sheet No.:19

Dash Assembly

Ref. No.	Part No.	Qty.	Description
5	321-4	2	Screw-HH
7	94-1894	1	Dash
8	92-6680	1	Steering Boot
9	94-2966	1	Clip - Boot
10	66-0120	2	Knob
11	93-0533	1	Cover - RH Slot (only on: 72116)
11	93-0516	1	Cover - RH Slot (only on: 72108)
13	92-6721	1	Decal - Throttle/Ign (only on: 72108)
13	93-7255	1	Decal - Dash Throt/Ign (only on: 72116)
14	62-7770	1	Key-Ignition
15	700919	1	Nut
16	93-9998	1	Switch - PTO Toro
17	92-6785	1	Switch - Ignition
18	93-7256	1	Decal - Dash PTO/Choke (only on: 72116)
18	92-6720	1	Decal - PTO/Choke (only on: 72108)
19	94-3513	1	Cover - Lift (only on: 72116)

Ref. No.	Part No.	Qty.	Description
19	94-1710	1	Cover-Lift (only on: 72108)
20	93-0527	1	Switch - Cruise
21	94-1742	1	Switch
22	92-6784	1	Control-Throttle Twin
23	32144-32	4	Screw
24	92-6783	1	Control - Choke Twin
25	99-8035	1	Decal - Dash Lens
26	92-6705	1	Lens - Dash Hm
27	94-4208	1	Hourmeter
28	94-1714	1	Housing - Light
29	94-6961	3	Screw
30	32144-8	2	Screw-HH
31	98-7249	4	Relay-Speedometer
32	99-8072	1	Harness-6 Lamp
33	99-1933	1	Module-Low Voltage
34	32105-12	2	Screw
35	3296-2	2	Nut-Lock
36	99-3701	1	Module-Nmir, Clutch
37	3296-42	2	Nut-Lock



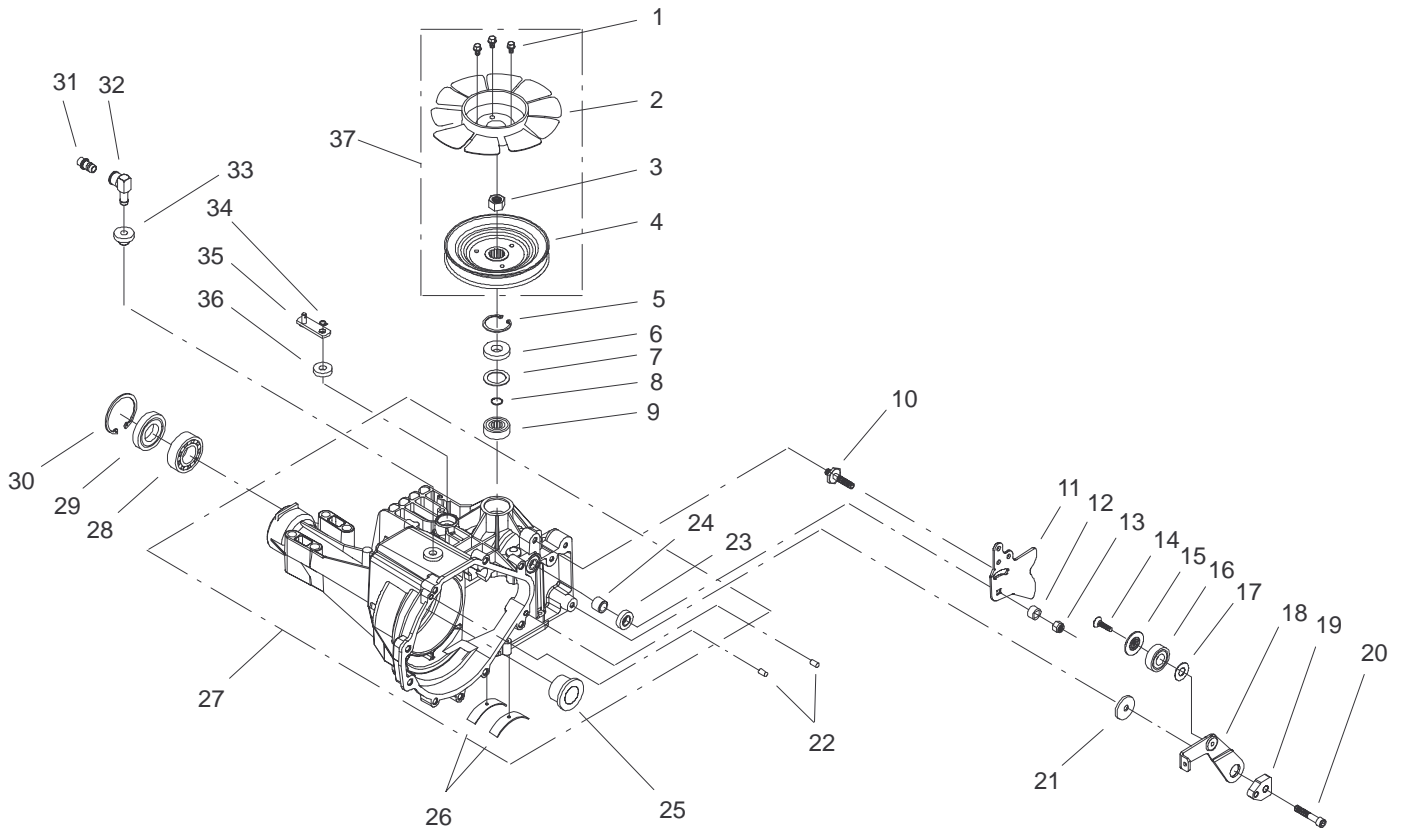
Sheet No.:24

Rear Wheel Assembly

Ref. No.	Part No.	Qty.	Description
1	3243-5	4	Screw-Set
2	3218-3	4	Nut-Jam
3	93-3659-03	2	Hub-Wheel
4:1	99-2334	1	Tire
4:2	78-1221	1	Wheel
4:2:1	5108	1	Valve-Tubeless Tire
*	7007	1	Tube-Inner
5	83-2720	10	Lug-Bolt
6	5-1336	2	Key

Ref. No.	Part No.	Qty.	Description

* Not illustrated

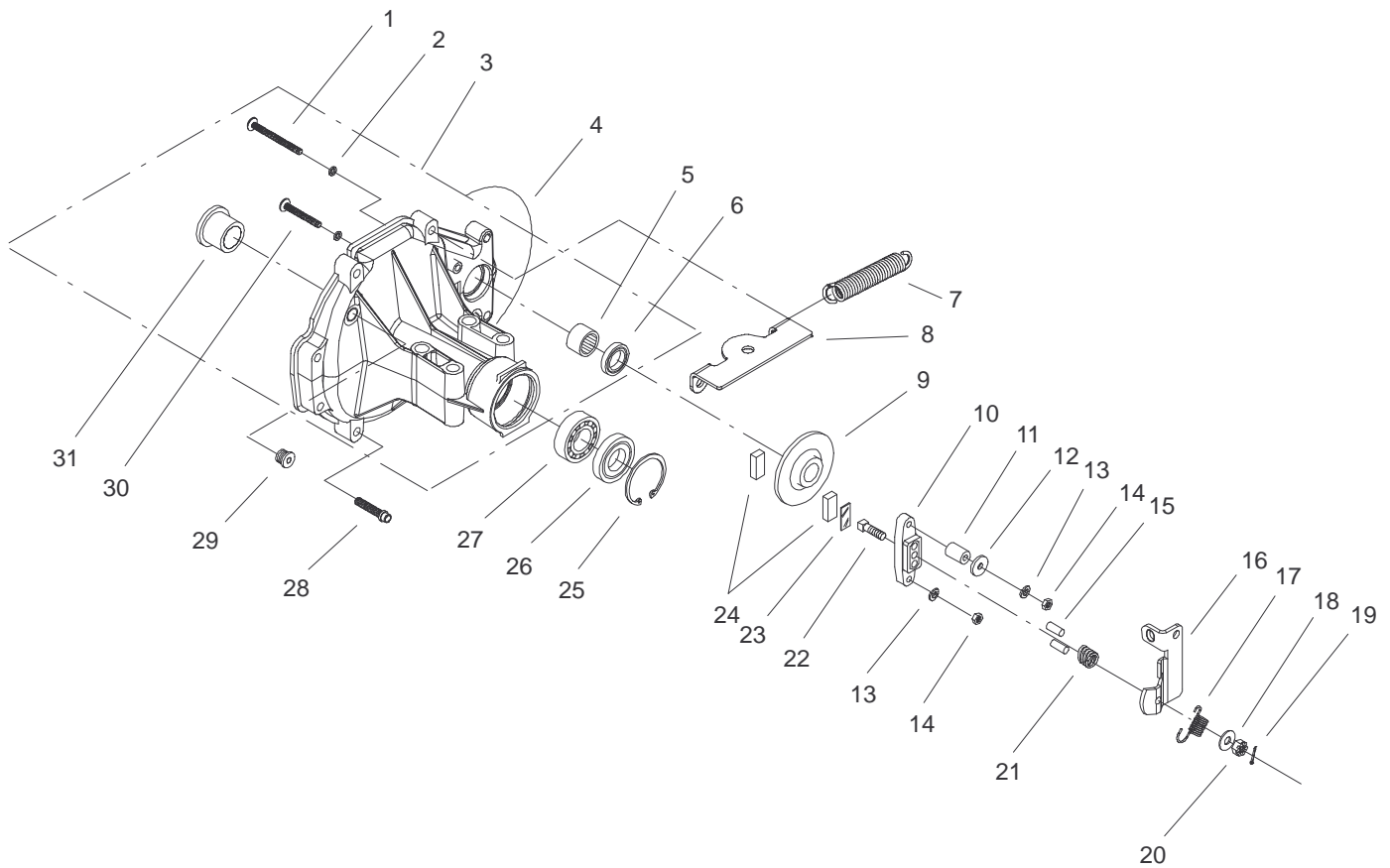


Sheet No.:3

Housing & Fan Assembly

Ref. No.	Part No.	Qty.	Description
1	104-2164	3	Screw
2	104-2162	1	Fan
3	104-2168	1	Retaining Ring
4	104-2161	1	Pulley
5	94-1903	1	Ring - Retaining
6	92-6543	1	Seal - Lip
7	104-2104	1	Spacer
8	94-1902	1	Ring - Wire Retaining
9	94-1904	1	Bearing - Shaft Ball
10	104-2116	1	5/16-24 Stud
11	100-6093	1	Control Arm
12	104-2163	1	Spacer, Trunnion
13	104-2159	1	Hex Lock Nut, 5/16-24
14	104-2158	1	Countersunk Screw
15	104-2157	1	Spacer, Locating
16	104-2156	1	Bearing
17	94-1933	1	Washer
18	104-2114	1	Return Arm
19	104-2119	1	Adjusting Puck
20	104-2155	1	Screw, 5/16-24 X 1.5
21	104-2154	1	Washer
22	104-2170	2	STD Hols Pin
23	92-6544	1	Seal - Lip
24	104-2113	1	Trunnion Bushing
25	104-2139	2	Flange Bearing
26	94-1905	2	Bearing - Cradle

Ref. No.	Part No.	Qty.	Description
27	104-2101	1	Main Housing ASM
28	104-2143	2	Ball Brg 6205-1
29	104-2144	2	Seal 1" id X 2.0472" X .375"
30	104-2169	2	Retaining Ring
31	104-2167	1	Cap-Vent ASM
32	104-2166	1	Fitting
33	104-2165	1	Bushing, Rubber
34	936109	1	Ring - Retaining
35	104-2117	1	Bypass Arm
36	92-6545	1	Seal - Lip
37	104-2190	1	Kit-Fan/Pulley

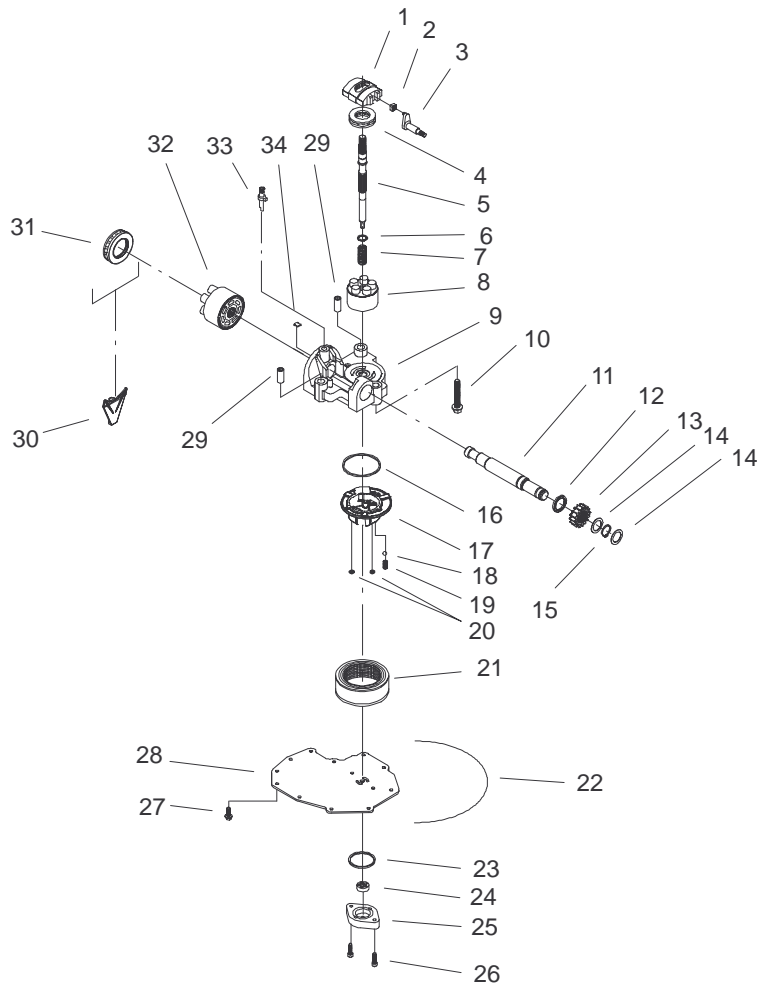


Sheet No.:5

Brake Assembly

Ref. No.	Part No.	Qty.	Description
1	104-2182	1	Rib Neck Bolt, 3"
2	104-2191	4	O-Ring
3	104-2102	1	R.h. Housing ASM
4	104-2147	1	Sealant
5	104-2149	1	Needle Bearing
6	104-2152	1	Lip Seal
7	104-2118	1	Return Spring
8	100-1349	1	Bracket-Bell Crank
9	104-2153	1	Brake Disk
10	104-2173	1	Brake Yoke
11	104-2180	1	Spacer
12	104-2183	1	Washer
13	104-2177	2	Lockwasher, 1/4"
14	104-2178	2	Nut, 1/4-20
15	104-2176	2	Pins, Brake
16	104-2175	1	Arm, Brake
17	104-2184	1	Spring, Brake Arm Bias
18	104-2146	1	Washer
19	104-2179	1	Cotter Pin
20	93-3807	1	Nut - Castle
21	104-2188	1	Comp. Spring, Brake Anti Drag
22	104-2174	1	Bolt, Square Head
23	104-2181	1	Puck Plate
24	104-2171	2	Puck, Brake
25	104-2169	2	Retaining Ring

Ref. No.	Part No.	Qty.	Description
26	104-2144	2	Seal 1" id X 2.0472" X .375"
27	104-2143	2	Ball Brg 6205-1
28	104-2148	9	Torx Head Screw, 5/16-18
29	104-2189	1	Plug, Straight Thread
30	104-2172	1	Rib Neck Bolt, 2"
31	104-2139	2	Flange Bearing

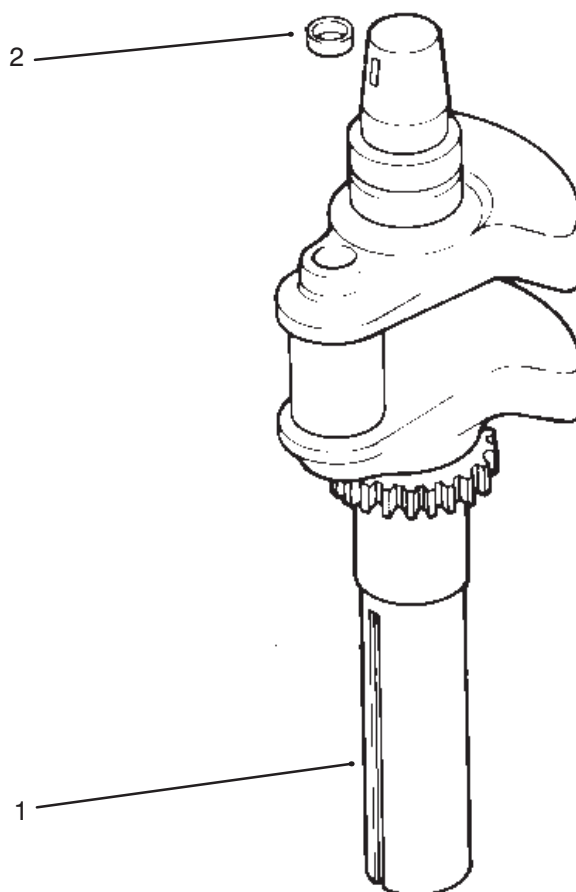


Sheet No.:6

Cylinder Block Assembly

Ref. No.	Part No.	Qty.	Description
1	94-1907	1	Swashplate - Variable
2	94-1910	1	Guide - Slot
3	104-2112	1	Trunnion ASM
4	94-6922	1	Bearing - Thrust
5	104-2105	1	Input Shaft
6	94-1937	1	Washer - Block Thrust
7	94-1936	1	Spring - Block
8	104-2106	1	10cc Cylinder Block ASM
9	104-2103	1	Kit, Center Section
10	94-6926	3	Bolt - 3/8-24 X 2.5
11	104-2107	1	Output (Motor) Shaft
12	104-2109	1	Spacer
13	104-2110	1	16t Pinion Gear
14	104-2150	2	Washer
15	104-2151	1	Retaining Ring
16	104-2185	1	O-Ring
17	104-2156	1	Bearing
18	104-2187	1	Ball, 7/16
19	104-2186	1	Spring, Relief
20	104-2191	4	O-Ring
21	104-2125	1	Filter
22	104-2147	1	Sealant
23	104-2123	1	O-Ring
24	104-2122	1	Gerotor ASM
25	104-2124	1	Gerotor Cover

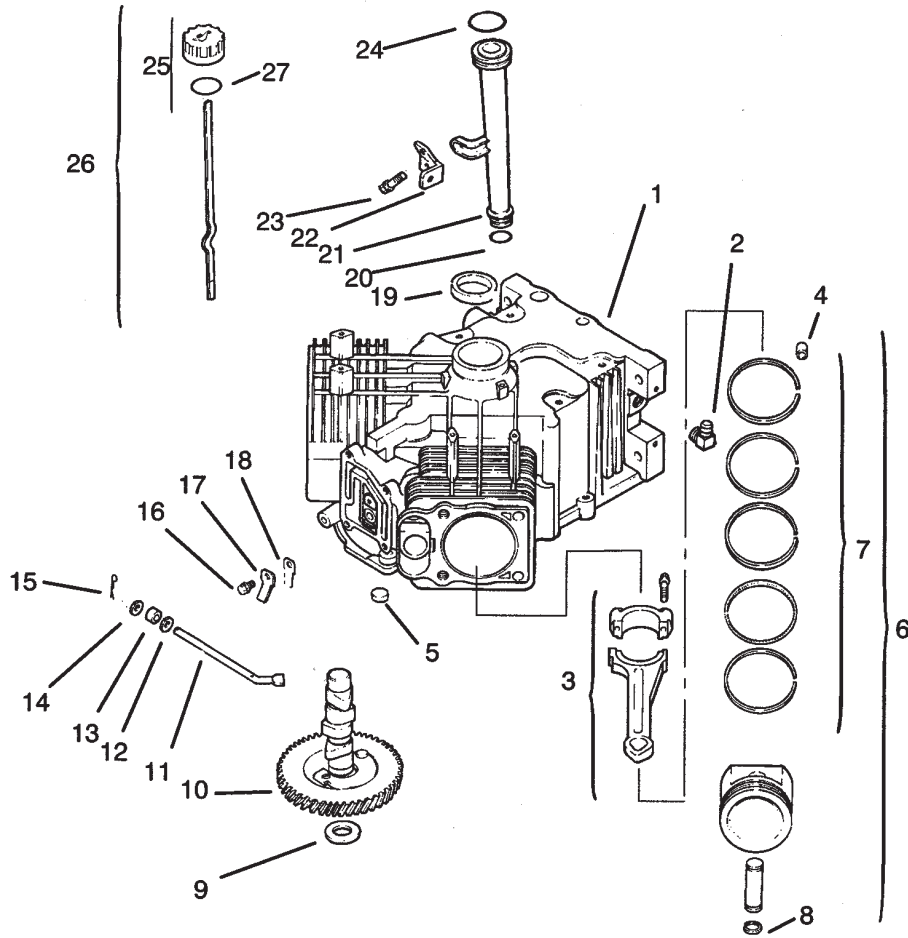
Ref. No.	Part No.	Qty.	Description
26	104-2111	2	Capscrew, M6 X 1-25
27	104-2120	11	Screw, 1/4-20 X .75
28	104-2121	1	Lower Cover
29	94-1927	2	Pin
30	104-2127	1	Retainer, Motor Bearing
31	94-6923	1	Bearing - Thrust
32	94-1913	1	Block-Cyc. (Motor) ASM
33	94-1914	1	Actuator - Bypass
34	94-6925	1	Plate - Bypass



Crankshaft

Ref. No.	Part No.	Qty.	Description
1	24 014 42	1	Crankshaft
2	52 139 09	1	Plug-Cup

Ref. No.	Part No.	Qty.	Description



Sheet No.: 202

C-1960

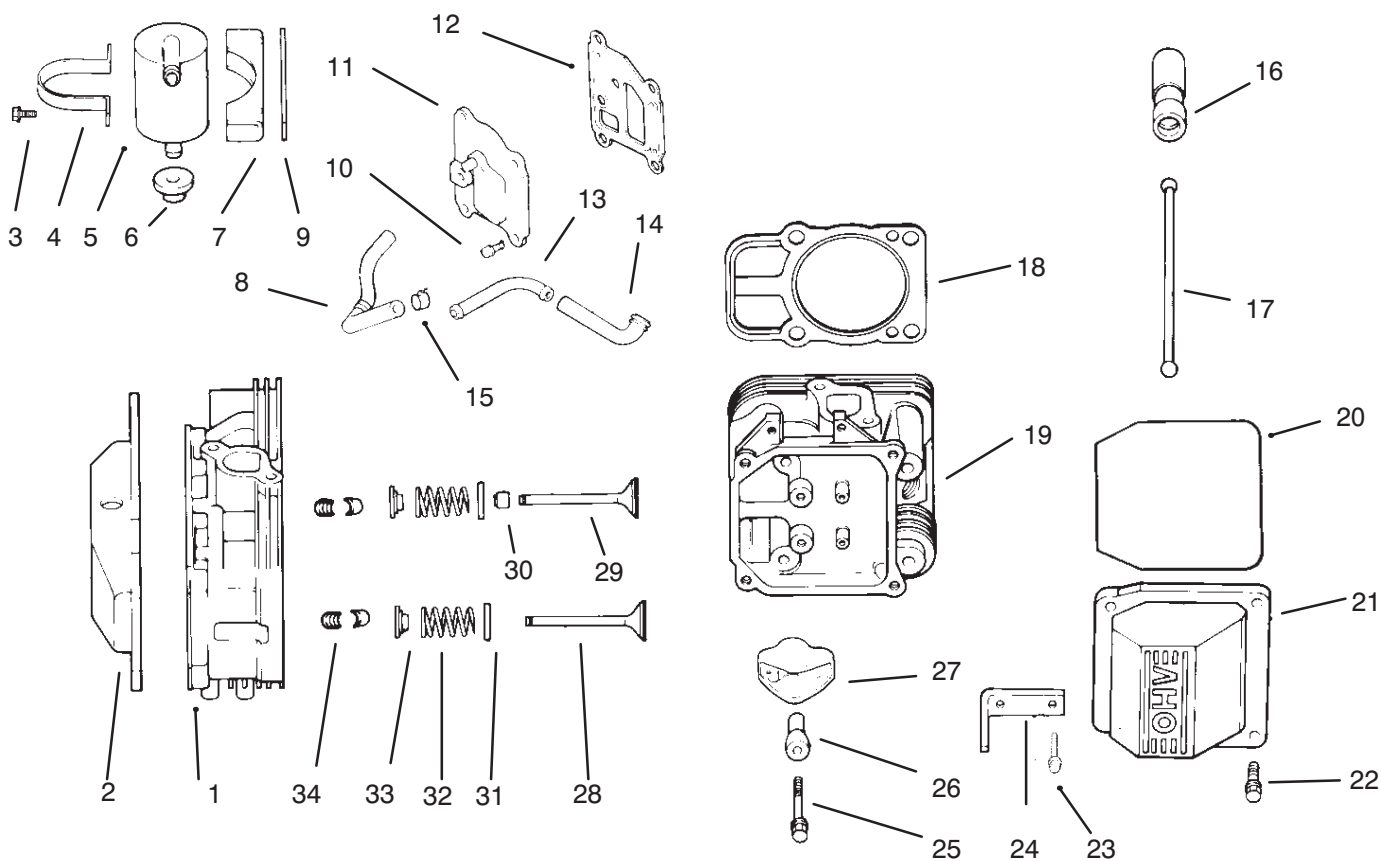
Crankcase

Ref. No.	Part No.	Qty.	Description
1	24 522 09	1	Short Block
2	25 155 02	1	Connector-90 DEG
3	24 067 01	2	Connecting Rod STD
3	24 067 02	2	Connecting Rod .25
†4	12 380 03	6	Dowel-Locating
5	52 139 09	1	Plug-Cup
6	24 874 01	2	Piston ASM STD INC 4/7/8
6	24 874 02	2	Piston ASM .25 INC 4/7/8
6	24 874 03	2	Piston ASM .50 INC 4/7/8
†7	24 108 01	2	Ring Set STD INC 4/8
7	24 108 02	2	Ring Set .25 INC 4/8
7	24 108 03	2	Ring Set .50 INC 4/8
†8	24 018 01	4	Retainer-Piston Pin
9	12 422 07	1	Shim-Camshaft A/R
9	12 422 08	1	Shim-Camshaft A/R
9	12 422 09	1	Shim-Camshaft A/R
9	12 422 10	1	Shim-Camshaft A/R
9	12 422 11	1	Shim-Camshaft A/R
9	12 422 12	1	Shim-Camshaft A/R
9	12 422 13	1	Shim-Camshaft A/R
10	24 012 05	1	Camshaft
11	24 144 01	1	Shaft-Governor Cross
12	X-25-63	1	Washer-Flat

Ref. No.	Part No.	Qty.	Description
13	12 032 01	1	Seal-Governor Shaft
14	X-25-102	1	Washer-Flat
15	12 380 04	1	Pin-Governor Hitch
16	M-0545010	2	Screw M5x0.8x10
17	24 018 04	2	Retainer-Reed
18	24 402 01	2	Beed-Breather
19	24 032 01	1	Seal-Oil
20	12 153 01	1	O Ring-Lower Fill Tube
21	12 123 04	1	Tube-Oil Fill
22	24 126 19	1	Bracket-Oil Fill Tube
23	M-0549016	1	Screw M5x0.8x16
24	12 153 02	1	O Ring-Upper Fill Tube
25	24 038 04	1	Dipstick INC 26-27
†26	25 755 13	1	Kit-Oil Cap INC 3
†27	12 153 03	1	O Ring-Fill Cap
*	24 755 03	1	Gasket Set

† Included in a service kit or in an assembly

* Not illustrated

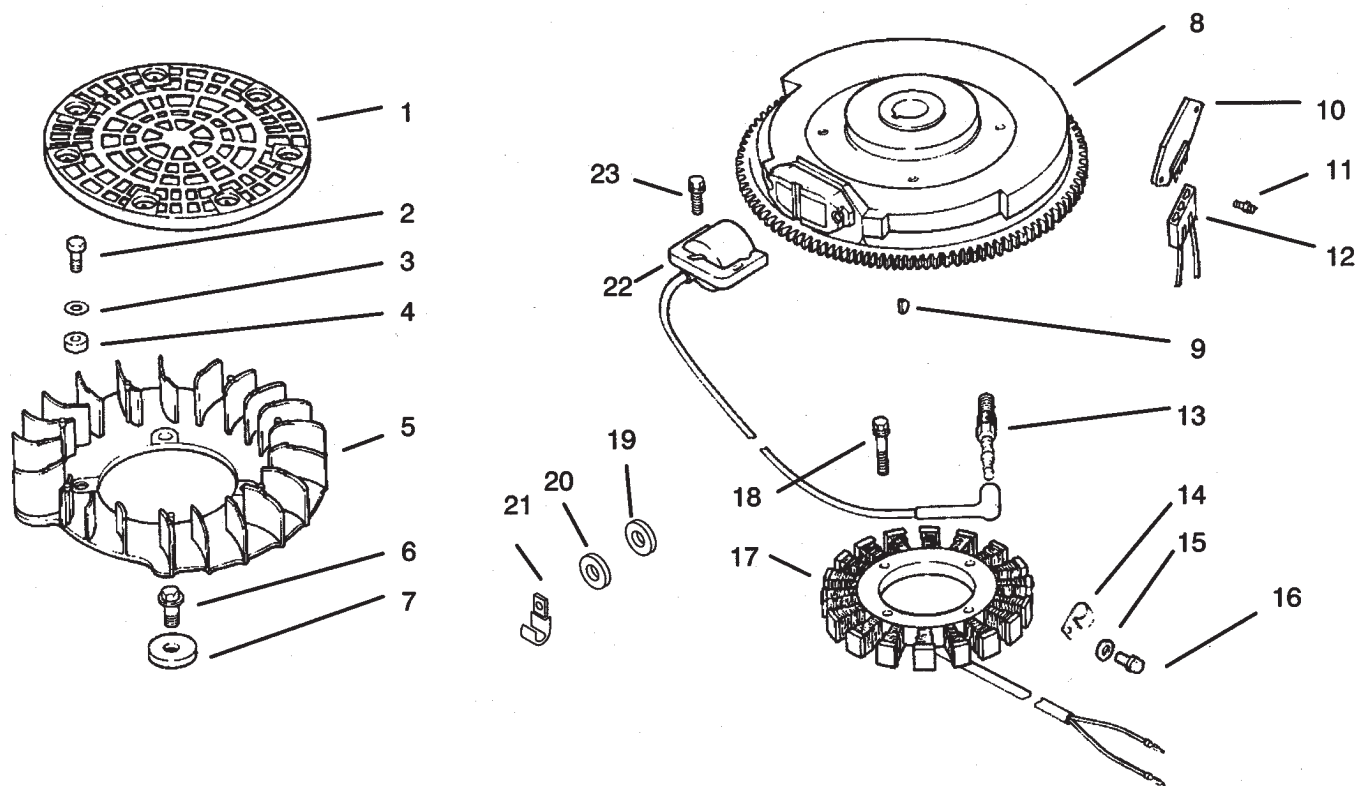


Sheet No.: 204

Head / Valve / Breather

Ref. No.	Part No.	Qty.	Description
1	24 318 11	1	Head ASM-#1 Cylinder
2	24 755 76	1	Kit-Valve Incl 6 20-22
3	M-0545016	2	Screw M5x0.8x16
4	24 445 02	1	Strap-Breather
5	24 755 57	1	Kit-Breather Incl 3-9
6	25 313 02	1	Grommet-Rubber
7	24 126 44	1	Bracket-Breather Sep
8	24 326 13	1	Hose-Breather
9	24 112 12	1	Spacer
10	M-0645020	4	Screw-HH M6x1.0x20
11	24 096 15	1	Cover-Breather
12	24 041 23	1	Gasket-Breather
13	24 294 06	1	Fitting
14	24 326 14	1	Hose-Breather
15	X-426-9	2	Clamp-Hose
16	12 351 01	4	Lifter-Valve
17	24 411 05	4	Rod-Push
18	24 041 08	2	Gasket-Cylinder Head
19	24 318 12	1	Head ASM-#2 Cylinder
20	24 153 12	1	O-Ring
21	24 755 74	1	Kit Valve Incl 20-22
22	24 086 32	4	Screw-Shoulder
23	12 086 16	8	Screw M10x1.5x91
24	24 445 01	1	Strap-Lifting

Ref. No.	Part No.	Qty.	Description
25	M-0640034	4	Screw M6x1.0x34
26	24 599 01	4	Pivot-Rocker Arm
27	25 186 01	4	Arm-Rocker
28	24 016 01	2	Valve-Exhaust
28	24 016 02	2	Valve-Exhaust (.25)
29	24 017 01	2	Valve-Intake
29	24 017 02	2	Valve-Intake (.25)
30	24 032 05	2	Seal-Valve Stem
31	235011	4	Retainer-Spring
32	24 089 02	4	Spring-Valve
33	12 173 01	4	Cap-Valve Spring
34	12 755 03	4	Kit-Retainer
	24 033 03	1	Kit-Breather Incl 11-12
	24 755 66	1	Kit-Valve Incl 17 26-27



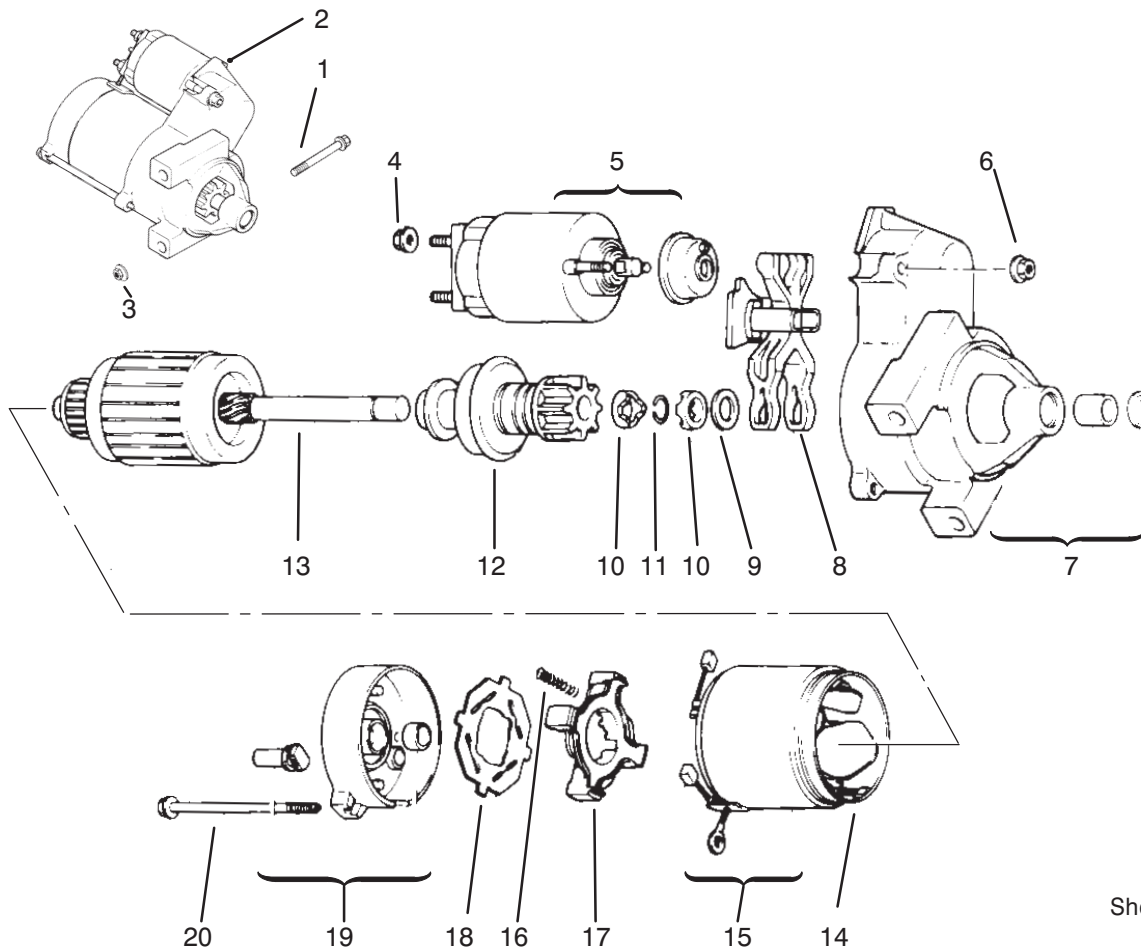
Sheet No.: 205
C-1963

Ignition / Electrical

Ref. No.	Part No.	Qty.	Description
1	24 162 17	1	Screen-Grass
2	M-0401025	4	Screw M4x0.7x24
3	X-25-92	4	Washer-Flat
4	24 112 04	1	Spacer-Fan
5	24 157 03	1	Fan
6	M-0639016	4	Screw M6x1.0x16
7	12 112 01	4	Spacer-Fan
8	24 025 04	1	Flywheel ASM
9	X-42-15	1	Key
10	25 403 03	1	Rectifier-Regulator
11	24 086 06	2	Screw-Phillips
12	236602	1	Connector-Regulator
13	12 132 02	2	Spark Plug
14	48 154 02	1	Clip-Stator Harness
15	12 468 03	1	Washer-Flywheel Screw
16	12 086 14	1	Screw-Flywheel Mounting
17	24 085 01	1	Stator-15 Amp
18	M-0548025	2	Screw M5x0.8x25
19	X-25-63	2	Washer-Flat
20	X-25-92	2	Washer-Flat
21	235173	1	Clip-Cable
22	24 584 01	1	Module-Ignition
23	M-0545020	4	Screw M5x0.8x20
*	24 113 18	1	Decal-Grass Screen

Ref. No.	Part No.	Qty.	Description
*	24 176 06	1	Harness-Wire
*	24 518 04	1	Lead-Green

* Not illustrated

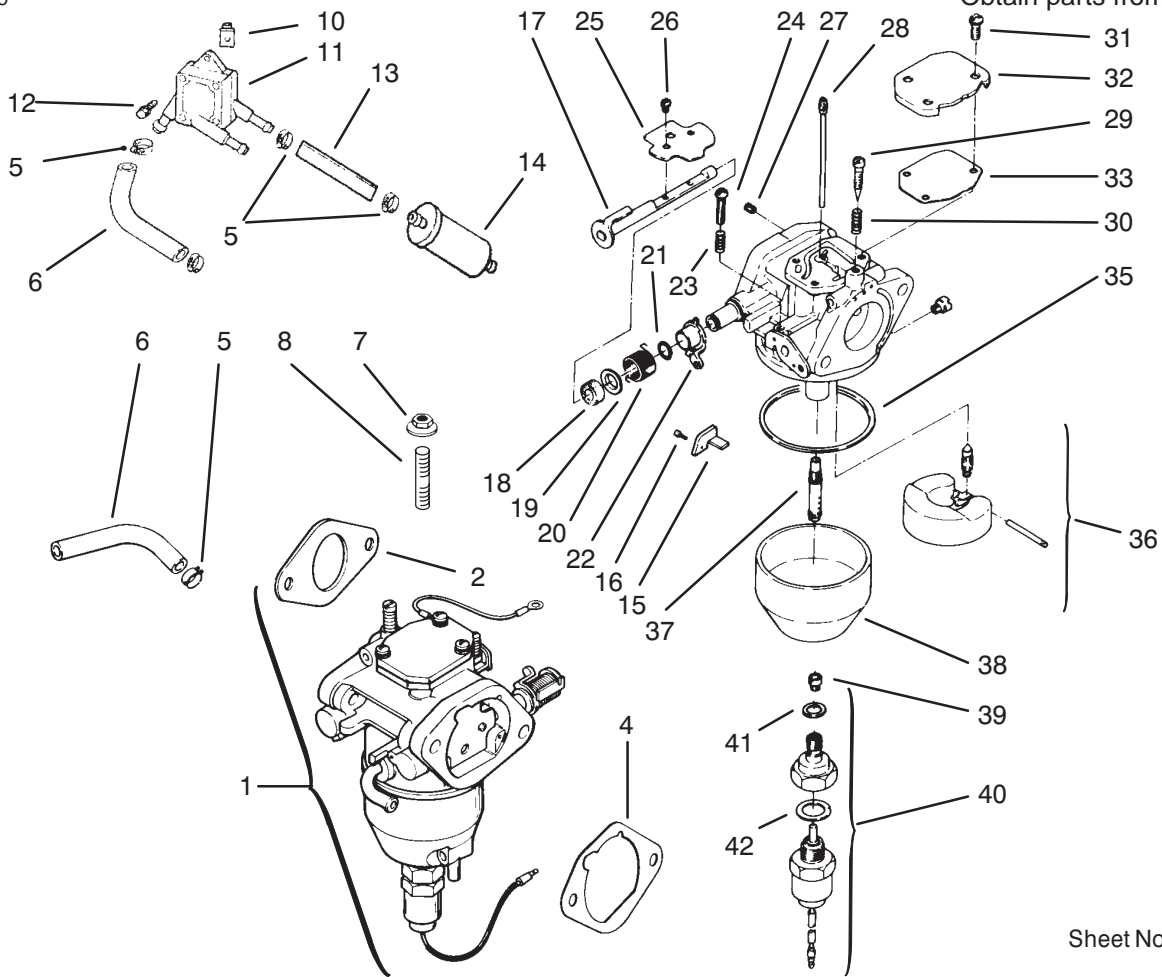


Sheet No.: 207
 C-1965

Starting System

Ref. No.	Part No.	Qty.	Description	Ref. No.	Part No.	Qty.	Description
1	M-0839080	2	Screw M8x1.25x80				
2	12 098 03	1	Starter INC 4-20				
3	M-0841080	1	Nut M8x1.25				
†4	52 100 09	1	Nut-Starter				
†5	52 435 02	1	Solenoid				
†6	52 100 10	2	Nut Starter				
†7	12 081 02	1	Cap-Drive End				
†8	12 090 10	1	Lever Starter Drive				
†9	42 468 14	1	Washer-Thrust				
†10	52 100 08	2	Nut-Stop Collar				
†11	52 141 03	1	Ring-Retainer				
†12	12 239 01	1	Drive-Pinion				
†13	12 170 03	1	Armature-Starter				
†14	12 471 01	1	Frame				
†15	52 221 01	1	Kit-Brush INC 16				
†16	52 089 09	4	Spring-Brush				
†17	52 323 03	1	Holder-Brush				
†18	52 168 01	1	Insulator				
†19	12 301 01	1	Cap-Commutator End				
†20	52 211 05	2	Bolt				

† Included in a service kit or in an assembly



Sheet No.: 208

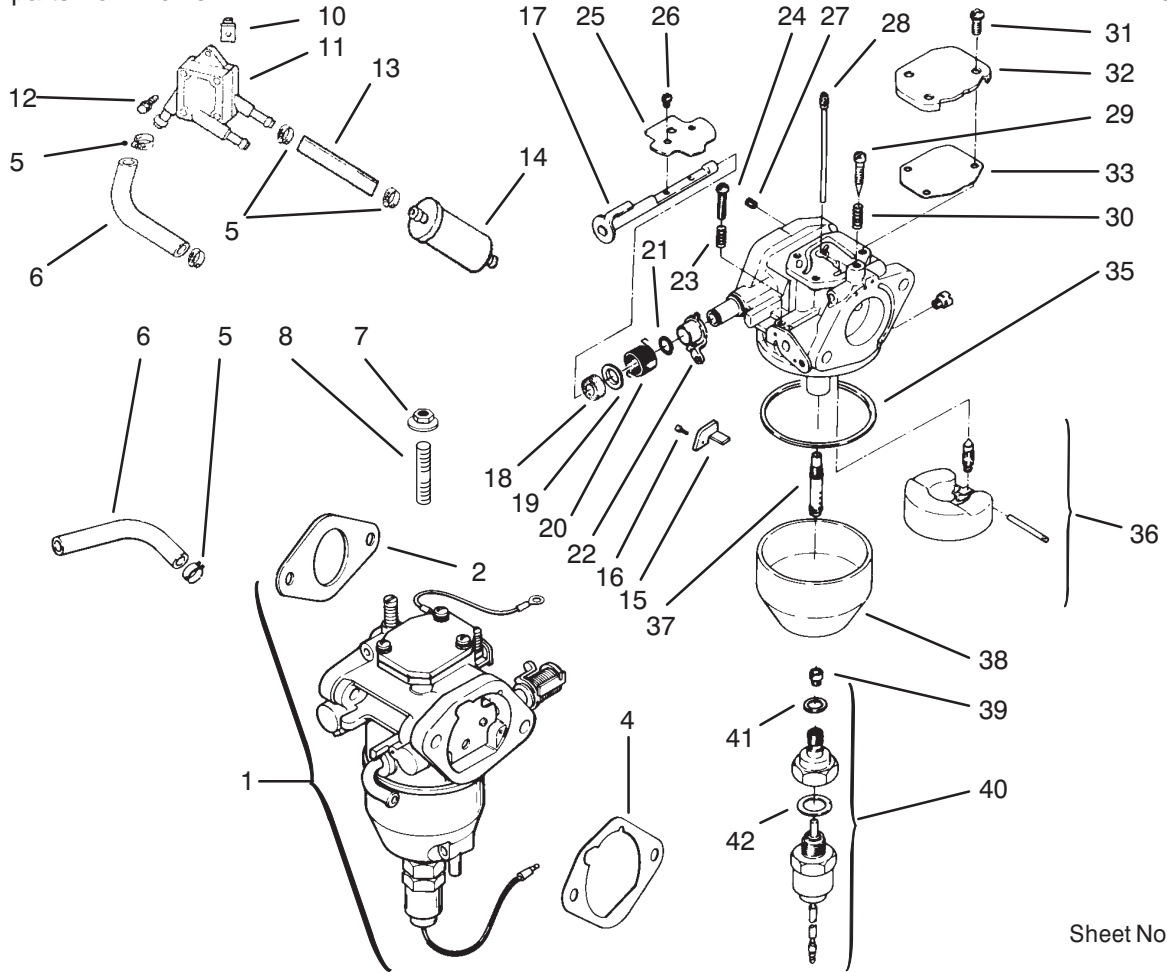
Fuel System

Ref. No.	Part No.	Qty.	Description
1	24 853 19	1	Kit-Carb INC 2/4/15-42
†2	24 041 15	1	Gasket-Carburetor
†4	24 041 14	1	Gasket-A/C Base
5	X-426-9	6	Clamp-Hose
6	24 353 03	2	Line-Fuel 10 1/2"
7	Sm-0641060	2	Nut M6x1.0
8	M-0629095	2	Stud M6x1.0x95
10	24 100 01	2	Nut-Plastic
11	24 393 04	1	Pump-Fuel
12	24 086 12	2	Screw-Cable Clip
13	25 353 15	1	Line-Fuel 3 1/2"
14	25 050 02	1	Filter-Fuel
†15	24 126 29	1	Bracket-Throttle Stop
†16	M-0259006	1	Screw M2.5x45x5.5
†17	24 144 15	1	Shaft-Choke
†18	24 468 05	1	Washer
†19	24 241 01	1	Collar-Choke
†20	24 089 22	1	Spring-Choke Return
†21	24 141 04	1	Ring-Choke Lever
†22	24 090 10	1	Lever-Choke
†23	24 089 24	1	Spring-Throttle Screw
†24	24 086 19	1	Screw-Throttle Adjust
†25	24 462 02	1	Valve-Choke
†26	24 086 20	4	Screw-Throttle Shaft
†27	24 337 27	1	Jet-Air Bleed

Ref. No.	Part No.	Qty.	Description
†28	24 337 11	1	Jet-Slow
†29	24 086 22	1	Screw-Idle Adjust
†30	24 089 23	1	Spring-Idle Adjust Screw
†31	24 086 21	3	Screw
†32	24 096 13	1	Cover-Passage
†33	24 041 18	1	Gasket-Passage Cover
†35	24 041 19	1	Gasket-Float Chamber
†36	24 757 05	1	Kit-Float Repair
†37	24 369 01	1	Nozzle-Main
†38	24 234 01	1	Chamber-Float
†39	24 337 20	1	Jet-Main
†40	24 755 15	1	Kit-Solenoid INC 41-42
†41	24 041 21	1	Gasket-Chamber Screw
†42	24 041 20	1	Gasket-Solenoid
*	24 041 15	1	Gasket-Carburetor
*	24 063 22	1	Baffle-Carburetor
*	24 755 25	1	Kit-Hi Alt 1500-3000 M
*	24 755 26	1	Kit-Hi Alt Over 3000 M

† Included in a service kit or in an assembly

* Not illustrated



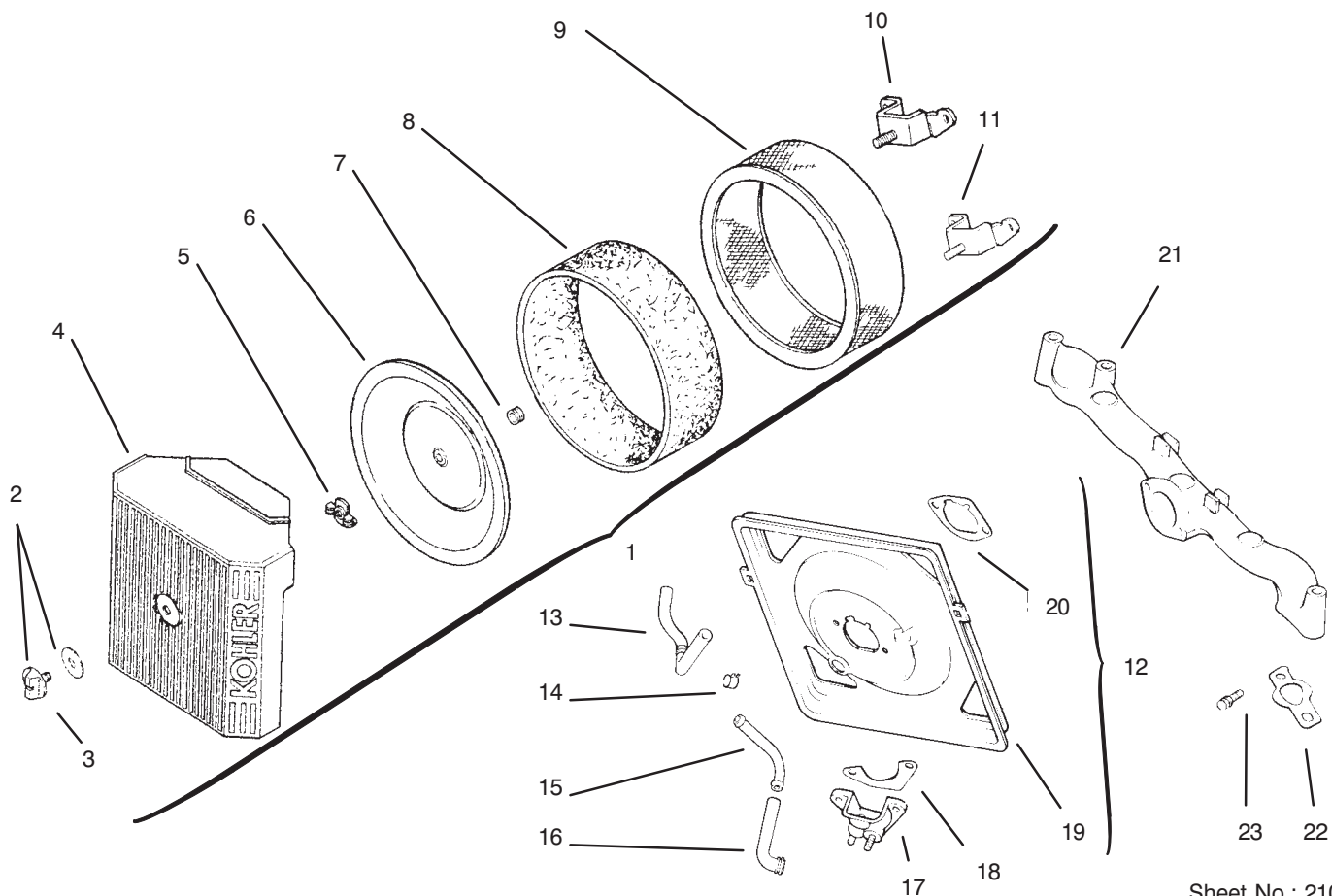
Sheet No.: 208

Fuel System

Ref. No.	Part No.	Qty.	Description
*	24 757 06	1	Kit-Carburetor Repair

Ref. No.	Part No.	Qty.	Description

† Included in a service kit or in an assembly
 * Not illustrated

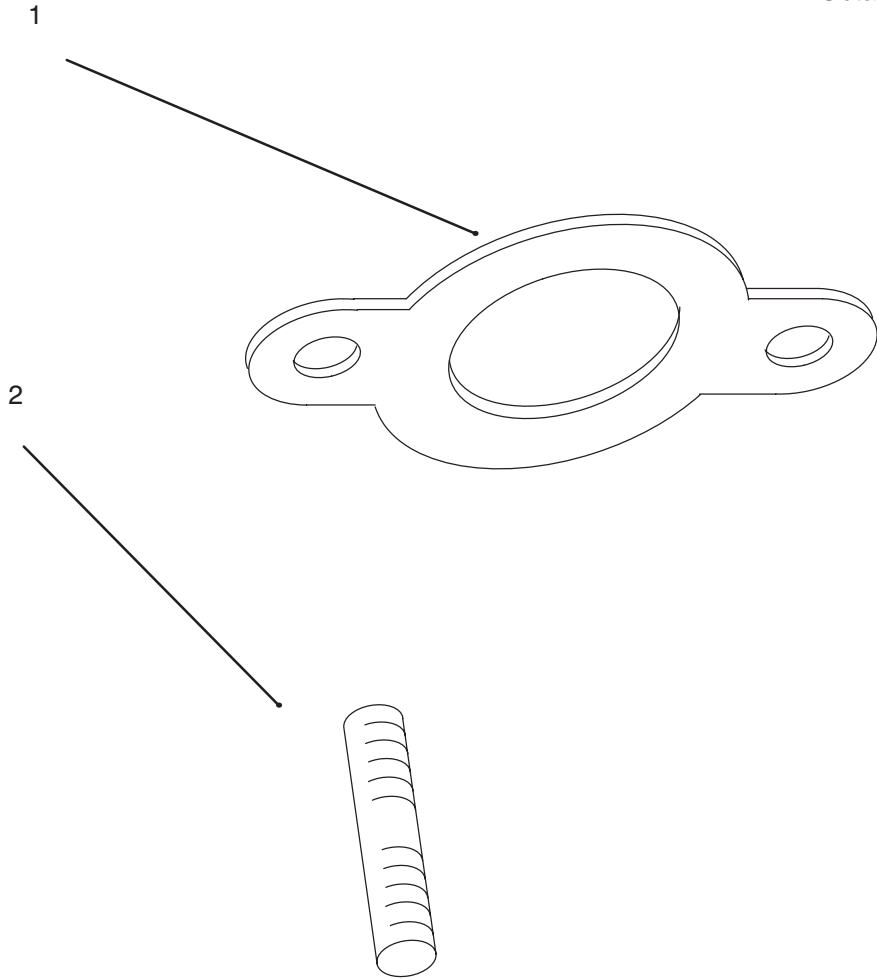


Sheet No.: 210

Air Intake / Filtration

Ref. No.	Part No.	Qty.	Description
1	24 743 05	1	Kit-Air Cleaner Cover
2	24 755 91	1	Kit-Knob W/Gasket
3	25 341 02	1	Knob-Cover
4	24 096 24	1	Cover-Air Cleaner
5	12 100 01	1	Nut-Wing
6	24 096 01	1	Cover-Inner Air Cleaner
7	24 032 03	1	Seal-Air Intake
8	24 083 02	1	Element-Precleaner
9	47 083 03	1	Element-Air Cleaner
10	24 126 21	1	Bracket-Air Cleaner Base
11	24 126 43	1	Bracket-Air Cleaner
12	24 755 86	1	Kit-Air Cleaner Base
13	24 326 13	1	Hose-Breather
14	X-426-9	2	Clamp-Hose
15	24 294 06	1	Fitting
16	24 326 14	1	Hose-Breather
17	24 109 06	1	Cup-Fuel Spitback
18	24 041 13	1	Gasket-Fuel Spitback Cup
19	24 094 14	1	Base-Air Cleaner
20	24 041 14	1	Gasket-A/C Base
21	24 164 06	1	Manifold-Intake
22	24 041 01	2	Gasket-Intake

Ref. No.	Part No.	Qty.	Description
23	M-0651055	4	Manifold Screw



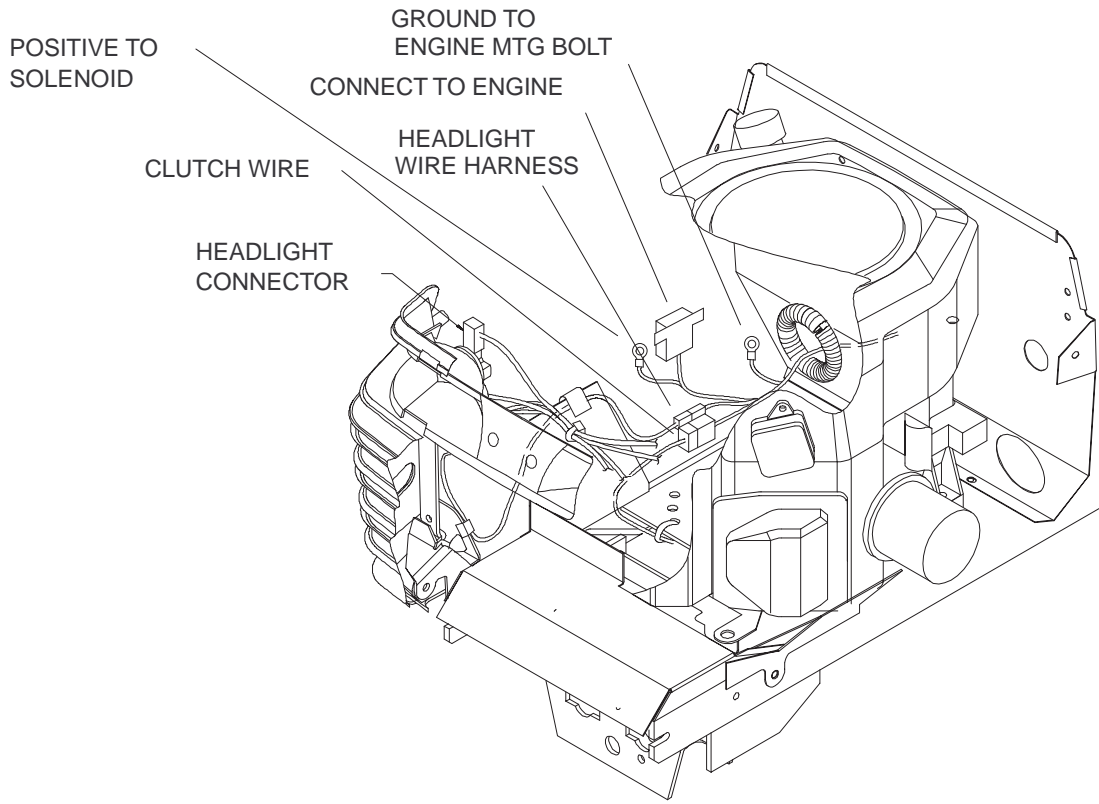
Sheet No.: 211

C-1969

Exhaust

Ref. No.	Part No.	Qty.	Description
1	24 041 02	2	Gasket-Exhaust
2	M-0829033	4	Stud M8x1.25x20

Ref. No.	Part No.	Qty.	Description
----------	----------	------	-------------



TWIN CYLINDER

WIRE HARNESS TO
ENGINE ROUTING

Sheet No.:32

Engine Wire Harness Routing Assembly

Ref. No.	Part No.	Qty.	Description

Ref. No.	Part No.	Qty.	Description

270-H Wiring Schematic

