

Panasonic is reinventing range hoods with superior ventilation power to assure healthy indoor air quality in the busiest room of your home.

High-velocity capture efficiency combined with ultra-quiet HushFlow technology eliminates contaminated air, smoke and moisture from the source without disturbing your dinner conversation.

Available in five stunning and powerful models, WhisperHood IAQ® range hoods offer healthy air and healthy living in a beautiful design that accentuates the finest kitchens.

WhisperHood IAQ® models

FV-30RCQL1

30" Wall Mount Chimney Range Hood

FV-36RCQL1

36" Wall Mount Chimney Range Hood

FV-36RLQL1

36" Island Mount Chimney Range Hood

FV-28RNQL1

28" Under Cabinet Mount Range Hood

FV-36RBQL1HD + FV-36RBQL1MT

36" Ceiling Mount Range Hood + Motor

At Panasonic, we believe the air you breathe should be as healthy as the food you prepare.

Key Features

- Available in wall mount chimney, island mount chimney, under cabinet mount, and ceiling mount styles
- High-velocity capture efficiency at a powerful 390 CFM eliminates undesirable air at the source; no need for make-up air
- HushFlow offers 86% less noise output for ultra-quiet operation (chimney models)
- Brilliant stainless steel finish compliments the finest designer kitchens and cleans up easily
- Built-in LED lighting presents soft, energy-efficient illumination of cooking areas and enhanced ambiance in the evening
- Removable, dishwasher-safe metallic grease filter helps keep chimney clear of debris for continuous and safe operation
- Operates as a standalone range hood or as part of the Cosmos® Healthy Home System

WhisperHood IAQ® presents the best of both worlds: healthy air and healthy living in a finely appointed stainless steel design.



Chimney Style

Not only is the kitchen the busiest room in the home, it usually contains the poorest air quality. WhisperHood IAQ® chimney range hoods combine contemporary crafting with ultra-quiet ventilation technology and exceptional capture efficiency to collect, draw, and exhaust contaminants from the cooking area without interrupting your conversation.

Upgrade your kitchen with an elegant and functional design that improves indoor air quality in your home's most popular space.



FV-36RCQL1
36" Wall Mount Chimney Range Hood

FV-30RCQL1
30" Wall Mount Chimney Range Hood

FV-36RLQL1
36" Island Mount Chimney Range Hood

(FV-36RLQL1 36" Island Mount Chimney Range Hood shown)



Under Cabinet Style

A comprehensive study by the California EPA Air Resources Board revealed high levels of air pollutants from residential cooking. Children and the elderly are particularly vulnerable.

WhisperHood IAQ® under cabinet range hood delivers powerful capture efficiency to exhaust contaminated air from the cooking surface. The result: lower health risks from cooking-related indoor air pollution.



FV-28RNQL1
28" Under Cabinet Mount Range Hood

Ceiling Style

Today's tightly built homes produce greater energy efficiency and greater health concerns. Poor indoor air quality, a result of inadequate exhaust ventilation, is a primary culprit.

The US Department of Energy reports that air pollutants from cooking and burners can produce indoor concentrations in excess of health guidelines when poor kitchen ventilation exists¹.

WhisperHood IAQ® ceiling mount provides a healthy air plan for the busiest room in your home.

Consists of two parts which must be ordered together:

FV-36RBQL1HD | 36" Ceiling Mount Range Hood

FV-36RBQL1MT | Ceiling Mount Range Hood Motor



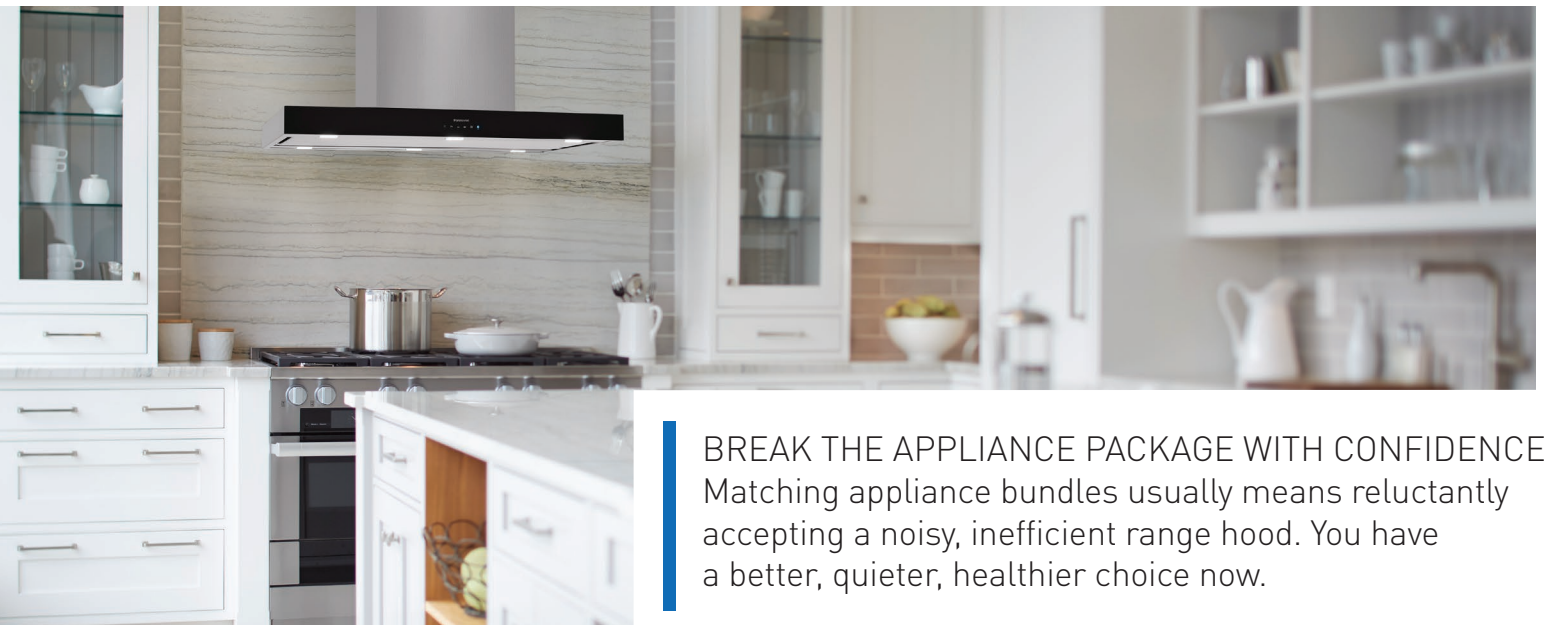
Product Details

Ventilation & Mechanical

- High-velocity capture efficiency and exhaust with no need for make-up air
- High efficiency motor delivers 390 CFM* of air-moving power
- HushFlow technology offers whisper-quiet operation (chimney style models)
- 6" duct diameter for efficient exhaust ventilation
- Can be used to comply with ASHRAE 62.2
- Exceeds California Proposition 65 requirements; complies with CA Title 24

Design & Style

- Clean lines and attention to detail evokes inspired design concepts, versatility, and a higher quality alternative to builder-packaged economy hoods
- Available in wall mount, island mount, under-cabinet mount, and ceiling mount
- Brilliant stainless steel surface of the finest pedigree completes any impeccable kitchen design
- Smooth surface enables fast-wipe cleanup for a constant shine



BREAK THE APPLIANCE PACKAGE WITH CONFIDENCE
Matching appliance bundles usually means reluctantly accepting a noisy, inefficient range hood. You have a better, quieter, healthier choice now.

Features

- Lighted five-button or six-button control panels allow finger-press selections of fan speeds, auto off timer, lighting on/off, and filter cleaning alarm
- Built-in LED chip lighting offers beautiful, energy efficient illumination of cooking and counter areas
- Removable, washable metal grease filter keeps chimney and ducts free of grease and debris build-up

*The 390 CFM exhaust rate means that you are not required to add a make-up air system to comply with the 2015 IRC requirement (make-up is required if >400 CFM).

High-velocity capture efficiency plate

According to the International Journal on Architectural Science², capture efficiency is one of the most important performance measures of a kitchen range hood.

An innovative capture efficiency plate draws and eliminates smoke, moisture, odors, heat and other contaminated air at the source while protecting fixtures, cabinetry and your family's lungs.

High-velocity capture efficiency at a powerful 390 CFM exhausts pollutants out of the home with no need for make-up air.



HushFlow quiet operation

Whisperhood IAQ[®] is both ultra powerful and ultra quiet. HushFlow technology proves a range hood can work quietly in the background without sacrificing ventilation power.

HushFlow reduces noise up to 86%, emitting a barely audible <math><0.3</math> sones on the lowest fan speed and only 4.5 sones on the highest fan speed at 390 CFM.



Chimney style models

Independence from appliance bundles

Who said all appliances in your kitchen should be the same brand?

WhisperHood IAQ[®] empowers you to never compromise between aesthetics and performance. This masterful combination of practical function and beautiful design complements any appliance package.

Simple user-button control



[Panel for Chimney style model: FV-36RLQL1 36" Island Mount Chimney Range Hood shown]

WhisperHood IAQ[®] offers some of the most advanced range hood technology available. But that doesn't mean operating it has to be complicated.

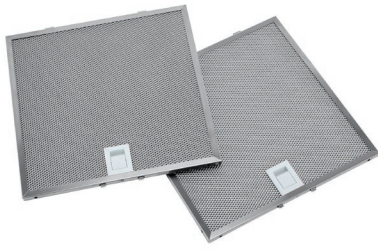
Chimney style models

Intuitive 6-button digital control panel lets you select four (4) fan speeds, auto off timer, lighting on/off, and filter-cleaning alarm settings, all with a finger press.

Under-cabinet & Ceiling style models

A 5-button panel enables simple user control of motor on/off, increase/reduce (4) fan speeds, auto off timer, lighting on/off and filter-cleaning alarm settings.

Easy-wash grease filter



A removable dishwasher-safe metal filter helps keep chimney and ducts grease-free and clear of cooking debris for efficient and safe operation. Our high quality metal filter can be easily removed and washed when prompted by the onboard filter alarm.



PRO TIP

Range hood filters should be cleaned regularly so grease buildup doesn't block airflow. If you cook every day, it is ideal to clean your filter monthly.



CREATE A HEALTHY LIFESTYLE, IN STYLE

Most range hoods are noisy and disruptive, discouraging frequent use. WhisperHood IAQ works quietly in the background ensuring cleaner air to breathe.

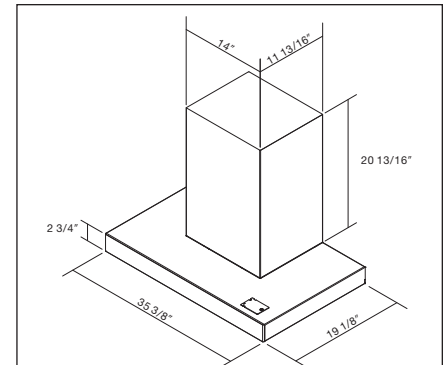
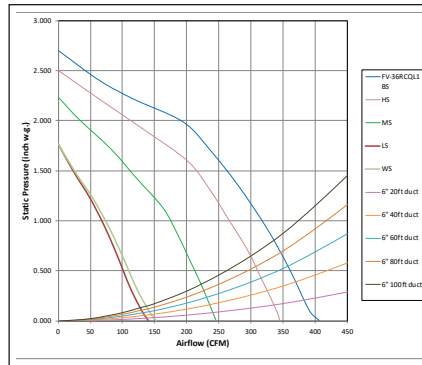
Quick Reference Guide

	30" Wall Mount Chimney	36" Wall Mount Chimney	36" Island Mount Chimney	36" Ceiling Mount	28" Under Cabinet Mount
HushFlow	✓	✓	✓	✗	✗
Max Air Volume (CFM)	390	390	390	390	390
Sones	<0.3 – 4.5	<0.3 – 4.0	<0.3 – 4.0	1.4-8.0	1.3 – 8.5
Duct Diameter	6"	6"	6"	6"	6"
	FV-30RCQL1	FV-36RCQL1	FV-36RLQL1	FV-36RBQL1HD FV-36RBQL1MT	FV-28RNQL1

Resources:

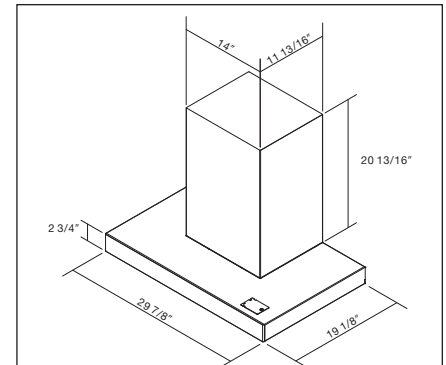
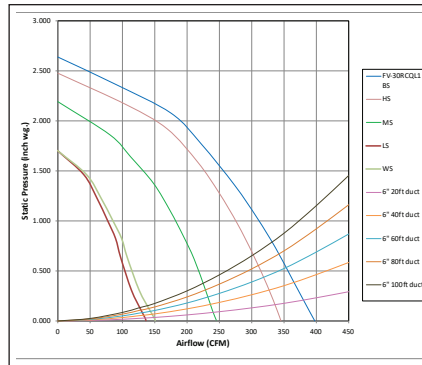
- <https://www.energy.gov/eere/buildings/building-america-project-team-lawrence-berkeley-national-laboratory>
- https://www.bse.polyu.edu.hk/researchcentre/fire_engineering/summary_of_output/journal/IJAS/V2/p.46-52.pdf
- <http://www.arb.ca.gov/research/indoor/indoor.htm>

FV-36RCQL1
36" Wall Mount Chimney Range Hood



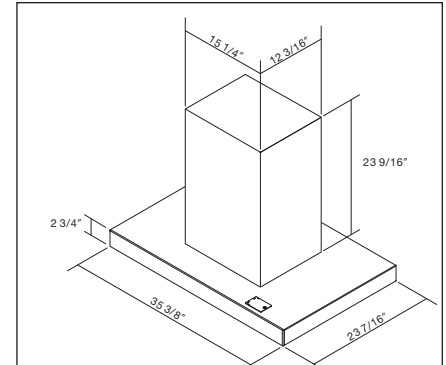
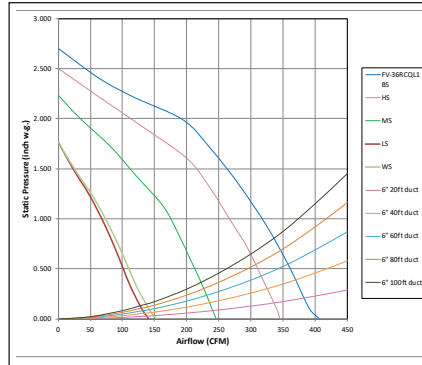
Specifications		WhisperHood IAQ® 36" Wall Mount Chimney Range Hood				
		FV-36RCQL1				
Range Hood	Duct Diameter (inches)	6"				
	Speed	Boost Speed	High Speed	Middle Speed	Low Speed	Working Speed
Characteristics (HVI tested data for 0.1" S.P.)	Static Pressure in inches w.g.	0.1	0.1	0.1	0.1	0.024
	Air Volume (CFM)	390	340	240	130	150
	Noise (sones)	4.0	2.0	0.9	<0.3	<0.3
	Power Consumption (watts)	328.0	226.0	180.0	137.0	141.0
	Energy Efficiency (CFM/Watt)	1.4	1.5	1.4	1.1	1.2
	Speed (RPM)	2445	1973	1549	1203	1131
	Amps (Current)	2.77	2.13	1.75	1.40	1.42
	MAX. Amps (Current)	2.77				
	Power Rating (V/Hz)	120/60				
Specifications	Motor Type	AC				
	Type of Motor Bearing	Ball				
	Thermal Fuse Protection	Yes				
	Blower Wheel Type	Sirocco				
	ENERGY STAR Qualified	No				
Installation	Duct Diameter (Inches)	6"				
Light Specifications	Lamp Watts	4.2				
	Lumens (lm)	37				
	Lumens Per Watt (LPW)	170				
	Color Rendering Index	80-90				
	Color Temperature (Kelvin)	3200				
	Rated Life (hours)	6,000				
	Type of Lamp Socket	LED chip				
Shipping	Gross Weight (lbs)	92.6				
Approved Code/Standard/Regulation	California Title 24 Compliant	Yes				
	Mfg in ISO 9001 Certified Facility	Yes				

FV-30RCQL1
30" Wall Mount Chimney Range Hood



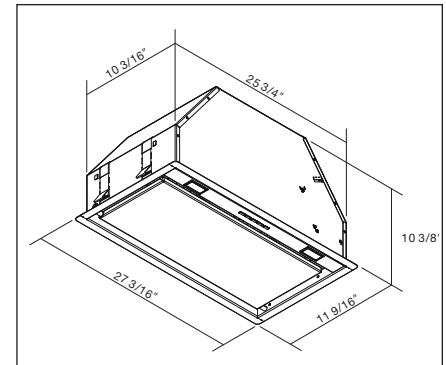
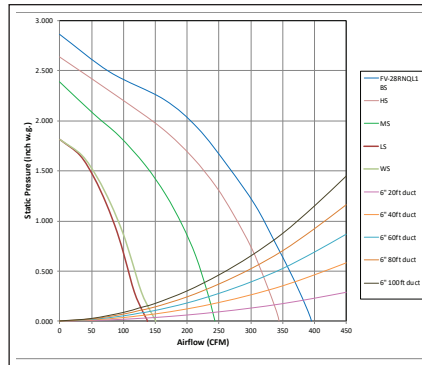
Specifications		WhisperHood IAQ [®] 30" Wall Mount Chimney Range Hood				
		FV-30RCQL1				
Range Hood	Duct Diameter (inches)	6"				
	Speed	Boost Speed	High Speed	Middle Speed	Low Speed	Working Speed
Characteristics (HVI tested data for 0.1" S.P.)	Static Pressure in inches w.g.	0.1	0.1	0.1	0.1	0.024
	Air Volume (CFM)	390	340	240	130	150
	Noise (sones)	4.5	3.0	1.0	<0.3	<0.3
	Power Consumption (watts)	331.0	227.0	182.0	147.0	146.0
	Energy Efficiency (CFM/Watt)	1.3	1.5	1.4	1.1	1.2
	Speed (RPM)	2483	2022	1550	1172	1087
	Amps (Current)	2.81	2.15	1.79	1.47	1.47
	MAX. Amps (Current)	2.81				
	Power Rating (V/Hz)	120/60				
Specifications	Motor Type	AC				
	Type of Motor Bearing	Ball				
	Thermal Fuse Protection	Yes				
	Blower Wheel Type	Sirocco				
	ENERGY STAR Qualified	No				
Installation	Duct Diameter (Inches)	6"				
Light Specifications	Lamp Watts	2.8				
	Lumens (lm)	37				
	Lumens Per Watt (LPW)	170				
	Color Rendering Index	80-90				
	Color Temperature (Kelvin)	3200				
	Rated Life (hours)	6,000				
	Type of Lamp Socket	LED chip				
Shipping	Gross Weight (lbs)	86.0				
Approved Code/Standard/Regulation	California Title 24 Compliant	Yes				
	Mfg in ISO 9001 Certified Facility	Yes				

FV-36RLQL1
36" Island Mount Chimney Range Hood



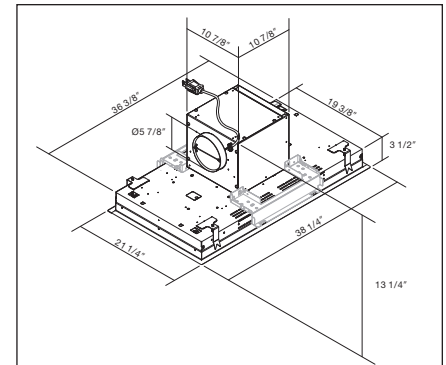
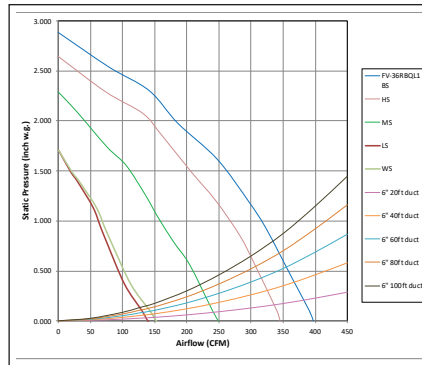
Specifications		WhisperHood IAQ [®] 36" Island Mount Chimney Range Hood				
		FV-36RLQL1				
Range Hood	Duct Diameter (inches)	6"				
	Speed	Boost Speed	High Speed	Middle Speed	Low Speed	Working Speed
Characteristics (HVI tested data for 0.1" S.P.)	Static Pressure in inches w.g.	0.1	0.1	0.1	0.1	0.024
	Air Volume (CFM)	390	340	240	130	150
	Noise (sones)	4.0	2.0	0.9	<0.3	<0.3
	Power Consumption (watts)	328.0	226.0	180.0	137.0	141.0
	Energy Efficiency (CFM/Watt)	1.4	1.5	1.4	1.1	1.2
	Speed (RPM)	2445	1973	1559	1203	1131
	Amps (Current)	2.77	2.13	1.75	1.40	1.42
	MAX. Amps (Current)	2.77				
	Power Rating (V/Hz)	120/60				
Specifications	Motor Type	AC				
	Type of Motor Bearing	Ball				
	Thermal Fuse Protection	Yes				
	Blower Wheel Type	Sirocco				
	ENERGY STAR Qualified	No				
Installation	Duct Diameter (Inches)	6"				
Light Specifications	Lamp Watts	8.4				
	Lumens (lm)	37				
	Lumens Per Watt (LPW)	170				
	Color Rendering Index	80-90				
	Color Temperature (Kelvin)	3200				
	Rated Life (hours)	6,000				
	Type of Lamp Socket	LED chip				
Shipping	Gross Weight (lbs)	116.8				
Approved Code/Standard/Regulation	California Title 24 Compliant	Yes				
	Mfg in ISO 9001 Certified Facility	Yes				

FV-28RNQL1
28" Under Cabinet Mount Range Hood



Specifications		WhisperHood IAQ [®] 28" Cabinet Mount Range Hood				
		FV-28RNQL1				
Range Hood	Duct Diameter (inches)	6"				
	Speed	Boost Speed	High Speed	Middle Speed	Low Speed	Working Speed
Characteristics (HVI tested data for 0.1" S.P.)	Static Pressure in inches w.g.	0.1	0.1	0.1	0.1	0.023
	Air Volume (CFM)	390	340	240	130	150
	Noise (sones)	8.5	6	3.5	1.2	1.3
	Power Consumption (watts)	340.0	231.0	188.0	148.0	148.0
	Energy Efficiency (CFM/Watt)	1.3	1.5	1.3	1.1	1.1
	Speed (RPM)	2461	1963	1529	1203	1104
	Amps (Current)	2.90	2.18	1.81	1.47	1.47
	MAX. Amps (Current)	2.90				
	Power Rating (V/Hz)	120/60				
Specifications	Motor Type	AC				
	Type of Motor Bearing	Ball				
	Thermal Fuse Protection	Yes				
	Blower Wheel Type	Sirocco				
	ENERGY STAR Qualified	No				
Installation	Duct Diameter (Inches)	6"				
	Mounting Opening (Inches sq.)	26-1/4" * 10-5/16"				
Light Specifications	Lamp Watts	2.8				
	Lumens (lm)	37				
	Lumens Per Watt (LPW)	170				
	Color Rendering Index	80-90				
	Color Temperature (Kelvin)	3200				
	Rated Life (hours)	6,000				
	Type of Lamp Socket	LED chip				
Shipping	Gross Weight (lbs)	30.9				
Approved Code/Standard/Regulation	California Title 24 Compliant	Yes				
	Mfg in ISO 9001 Certified Facility	Yes				

FV-36RBQL1HD + FV-36RBQL1MT
36" Ceiling Mount Range Hood + Motor



Specifications		WhisperHood IAQ [®] 36" Ceiling Mount Range Hood				
		FV-36RBQL1HD + FV-36RBQL1MT				
Range Hood	Duct Diameter (inches)	6"				
	Speed	Boost Speed	High Speed	Middle Speed	Low Speed	Working Speed
Characteristics (HVI tested data for 0.1" S.P.)	Static Pressure in inches w.g.	0.1	0.1	0.1	0.1	0.022
	Air Volume (CFM)	390	340	240	130	150
	Noise (sones)	8	5.5	3.5	1.4	1.4
	Power Consumption (watts)	338.0	233.0	188.0	143.0	145.0
	Energy Efficiency (CFM/Watt)	1.4	1.5	1.4	1.1	1.1
	Speed (RPM)	2156	1723	1323	1142	1020
	Amps (Current)	2.86	2.18	1.75	1.44	1.45
	MAX. Amps (Current)	2.86				
	Power Rating (V/Hz)	120/60				
Specifications	Motor Type	AC				
	Type of Motor Bearing	Ball				
	Thermal Fuse Protection	Yes				
	Blower Wheel Type	Sirocco				
	ENERGY STAR Qualified	No				
Installation	Duct Diameter (Inches)	6"				
	Mounting Opening (Inches sq.)	0.00				
Light Specifications	Lamp Watts	14.4				
	Lumens (lm)	51				
	Lumens Per Watt (LPW)	170				
	Color Rendering Index	-				
	Color Temperature (Kelvin)	4000				
	Rated Life (hours)	6,000				
	Type of Lamp Socket	LED chip				
Shipping	Gross Weight (lbs)	75.0				
Approved Code/Standard/Regulation	California Title 24 Compliant	Yes				
	Mfg in ISO 9001 Certified Facility	Yes				

Panasonic



Panasonic Life Solutions Company of America
IAQ Division
Two Riverfront Plaza, Newark, NJ 07102
us.panasonic.com/ventfans

For Order Information
PHONE: 866-292-7299
FAX: 888-553-0723
WhisperHoodIAQ.com

IAQ19065SS

Design and specifications subject to change without notice.