



# SANHUA

W H O L E S A L E

C R O S S - R E F E R E N C E  
2 0 2 1



# TABLE OF CONTENTS

Replaceable Core Filter-Drier .....	3
Sealed Model Filter-Drier.....	4
Reversing Valve.....	6
TXVH Kits .....	10
TXVH Valve .....	11
TXV - Removeable Inlet Strainer .....	12
TXV - ODF Sweat Connections.....	15
TXV - SAE Flare Connections.....	17
Ball Valve .....	19
Solenoid Valve .....	20
Sight Glass/Moisture Indicator .....	21
PS - Pressure Controls .....	22

As the largest producer of Service Valves, Reversing Valves, Electronic Expansion Valves and Microchannel (HVACR) in the world, Sanhua has earned the trust of major HVACR brands globally. Quality is the foundation for every product manufactured resulting in world class parts per million numbers. When you want the best, you want Sanhua.

# Replaceable Core Filter-Drier



## cross-reference

Connections ODF (in.)	Sanhua	Danfoss		Emerson*	Mueller	Sporlan*
		Steel Conn	Copper Conn			
5/8"	FDSH-48-5-S	DCR 0485	DCR 0485s	STAS-485T	A 18583	C-485-G
7/8"	FDSH-48-7-S	DCR 0487	DCR 0487s	STAS-487T	A 18584	C-487-G
	FDSH-96-7-S	DCR 0967	DCR 0967s	STAS-967T	A 18589	C-967-G
1-1/8"	FDSH-48-9-S	DCR 0489	DCR 0489s	STAS-489T	A 18585	C-489-G
	FDSH-96-9-S	DCR 0969	DCR 0969s	STAS-969T	A 18590	C-969-G
	FDSH-144-9-S	DCR 1449	DCR 1449s	STAS-1449T	A 18604	C-1449-G
1-3/8"	FDSH-48-11-S	DCR 04811	DCR 04811s	STAS-4811T	A 18586	C-4811-G
	FDSH-96-11-S	DCR 09611	DCR 09611s	STAS-9611T	A 18591	C-9611-G
	FDSH-144-11-S	DCR 14411	DCR 14411s	STAS-14411T	A 18605	C-14411-G
1-5/8"	FDSH-192-11-S	DCR 19211	DCR 19211s	STAS-19211T	A 18608	C-19211-G
	FDSH-96-13-S	DCR 09613	DCR 09613s	STAS-9613T	A 18592	C-9613-G
2-1/8"	FDSH-192-13-S	DCR 19213	DCR 19213s	STAS-19213T	A 18609	C-19213-G
	FDSH-192-17-S	DCR19217	DCR19217s	STAS-19217T	A 18610	C-19217-G

# Replaceable Cores



## cross-reference

	Sanhua	Danfoss	Emerson*	Mueller	Sporlan*
	FD-Core-48	48-DA 48-DC	D-48 H-48 W-48-HH	P 36818	RC-4864 RC-4864-HH
	FD-Core-48HI	48-DM	HX-48 UK-48	P 36819	RCW-48

\* The Sanhua core is a general-purpose core and can be used for all applications. The competitor models with the "HH" indicate a charcoal material is blended in the molded core. The charcoal material was designed into cores many years ago to remove wax contamination, common in systems with R-12 and R-502. Wax is no longer a common contaminant found in systems. The addition of charcoal consumes core area therefore reducing the amount of molecular sieve and activated alumina, which are more important for the reduction of contaminants found in systems today.

# Sealed Model Filter-Drier | c r o s s - r e f e r e n c e



Connection (in.)		Sanhua	Danfoss		Emerson		Emerson			Parker	Sporlan	
		Core Type*	Standard Core	Hi Moisture Core	Bead Type	Core Type	Loose Bead	Hi Moisture Core	Burnout Core*	Bead or Core Type	Core Type	Burnout Core*
1/4"	SAE Flare	FD-032	DCL 032	DML 032	EK 032	ADK 032				032	C-032	
		FD-052	DCL 052	DML 052	EK 052	ADK 052				052	C-052	C-052-HH
		FD-082	DCL 082	DML 082	EK 082	ADK 082			BOK 082-HH	082	C-082	C-082-HH
		FD-162	DCL 162	DML 162	EK 162	ADK 162				162	C-162	
	ODF Solder	FD-032-S	DCL 032S	DML 032S	EK 032S	ADK 032S	EKZ 032S			032S	C-032-S	
		FD-052-S	DCL 052S	DML 052S	EK 052S	ADK 052S	EKZ 052S			052S	C-052-S	C-052-S-HH
3/8"	SAE Flare	FD-053	DCL 053	DML 053	EK 053	ADK 053				053	C-053	
		FD-083	DCL 083	DML 083	EK 083	ADK 083			BOK 083-HH	083	C-083	C-083-HH
		FD-163	DCL 163	DML 163	EK 163	ADK 163			BOK 163-HH	163	C-163	C-163-HH
		FD-303	DCL 303	DML 303	EK 303	ADK 303			BOK 303-HH	303	C-303	C-303-HH
	ODF Solder	FD-033-S	DCL 033S	DML 033S	EK 033S	ADK 033S	EKZ 033S			033S	C-033-S	
		FD-053-S	DCL 053S	DML 053S	EK 053S	ADK 053S	EKZ 053S			053S	C-053-S	
		FD-083-S	DCL 083S	DML 083S	EK 083S	ADK 083S	EKZ 083S		BOK 083S-HH	083S	C-083-S	C-083-S-HH
		FD-163-S	DCL 163S	DML 163S	EK 163S	ADK 163S	EKZ 163S		BOK 163S-HH	163S(-XF)	C-163-S	C-163-S-HH
		FD-303-S	DCL 303S	DML 303S	EK 303S	ADK 303S			BOK 303S-HH	163S	C-303-S	
		1/2"	SAE Flare	FD-164	DCL 164	DML 164	EK 164	ADK 164			BOK 164-HH	164
FD-304	DCL 304			DML 304	EK 304	ADK 304			BOK 304-HH	304	C-304	C-304-HH
FD-414	DCL 414			DML 414	EK 414	ADK 414			BOK 414-HH		C-414	
ODF Solder	FD-084-S		DCL 084S	DML 084S	EK 084S	ADK 084S	EKZ 084S			084S	C-084-S	
	FD-164-S		DCL 164S	DML 164S	EK 164S	ADK 164S	EKZ 164S		BOK 164S-HH	164S	C-164-S	C-164-S-HH
	FD-304-S		DCL 304S	DML 304S	EK 304S	ADK 304S			BOK 304S-HH	304S	C-304-S	C-304-S-HH
	FD-414-S		DCL 414S	DML 414S	EK 414S	ADK 414S			BOK 414S-HH		C-414-S	

\* The Sanhua core is a general-purpose core and can be used for all applications. The competitor models with the "HH" indicate a charcoal material is blended in the molded core. The charcoal material was designed into cores many years ago to remove wax contamination, common in systems with R-12 and R-502. Wax is no longer a common contaminant found in systems. The addition of charcoal consumes core area therefore reducing the amount of molecular sieve and activated alumina, which are more important for the reduction of contaminants found in systems today.

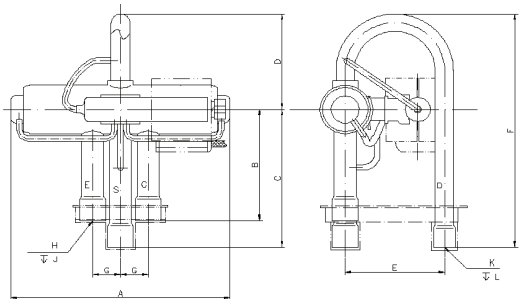
Continued on next page

# Sealed Model Filter-Drier | *Continued*

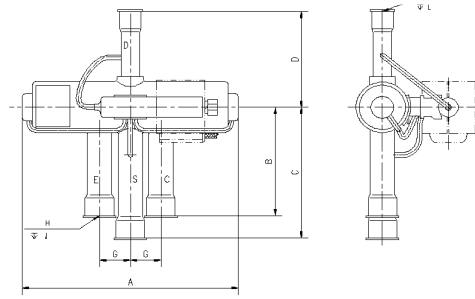


Connection (in.)	Sanhua Core Type*	Danfoss		Emerson		Emerson			Parker	Sporlan		
		Standard Core	Hi Moisture Core	Bead Type	Core Type	Loose Bead	Hi Moisture Core	Burnout Core*	Bead or Core Type	Core Type	Burnout Core*	
5/8"	SAE Flare	FD-165	DCL 165	DML 165	EK 165	ADK 165			BOK 165-HH	165	C-165	C-165-HH
		FD-305	DCL 305	DML 305	EK 305	ADK 305			BOK 305-HH	305	C-305	C-305-HH
		FD-415	DCL 415	DML 415	EK 415	ADK 415			BOK 415-HH	415	C-415	C-415-HH
	ODF Solder	FD-165-S	DCL 165S	DML 165S	EK 165S	ADK 165S	EKZ 165S		BOK 165S-HH	165S	C-165-S	C-165-S-HH
		FD-305-S	DCL 305S	DML 305S	EK 305S	ADK 305S	EKZ 305S		BOK 305S-HH	305S	C-305-S	C-305-S-HH
		FD-415-S	DCL 415S	DML 415S	EK 415S	ADK 415S			BOK 415S-HH	415S	C-415-S	
7/8"	ODF Solder	FD-417-S	DCL 417S	DML 417S	EK 417S	ADK 417S	EKZ 417S		BOK 417S-HH	417S	C-417-S	C-417-S-HH
		FD-757-S	DCL 757S	DML 757S	EK 757S	ADK 757S				757S	C-607-S	
1-1/8"	ODF Solder	FD-759-S	DCL 759S	DML 759S	EK 759S	ADK 759S				759S	C-609-S	
<b>Bidirectional Models</b>												
3/8"	SAE Flare	FDBI-083	DCB 083	DMB 083		BFK 083		BFKZ 083		BF083	HPC-083	
		FDBI-163	DCB 163	DMB 163		BFK 163		BFKZ 163		BF163		HPC-163-HH
	ODF Solder	FDBI-083-S	DCB 083S	DMB 083S		BFK 083S		BFKZ 083S		BF083S	HPC-083-S	
		FDBI-163-S	DCB 163S	DMB 163S		BFK 163S		BFKZ 163S		BF163S		HPC-163-S-HH
		FDBI-303-S				BFK 303S		BFKZ 303S				HPC-303-S-HH
1/2"	SAE Flare	FDBI-084	DCB 084	DMB 084		BFK 084		BFKZ 084		BF084		
		FDBI-164	DCB 164	DMB 164		BFK 164		BFKZ 164		BF164		HPC-164-HH
		FDBI-304	DCB 304	DMB 304		BFK 304						HPC-304-HH
	ODF Solder	FDBI-084-S	DCB 084S	DMB 084S		BFK 084S		BFKZ 084S		BF084S		
		FDBI-164-S	DCB 164S	DMB 164S		BFK 164S		BFKZ 164S		BF164S		HPC-164-S-HH
		FDBI-304-S	DCB 304S	DMB 304S		BFK 304S		BFKZ 304S				HPC-304-S-HH
5/8"	SAE Flare	FDBI-165	DCB 165	DMB 165		BFK 165		BFKZ 165		BF165		HPC-165-HH
		FDBI-165-S	DCB 165S	DMB 165S		BFK 165S		BFKZ 165S		BF165S		HPC-165-S-HH
	ODF Solder	FDBI-305-S	DCB 305S	DMB 305S		BFK 305S		BFKZ 305S				HPC-305-S-HH
7/8"	ODF Solder	FDBI-307-S	DCB 307S	DMB 307S		BFK 307S		BFKZ 307S				HPC-307-S-HH

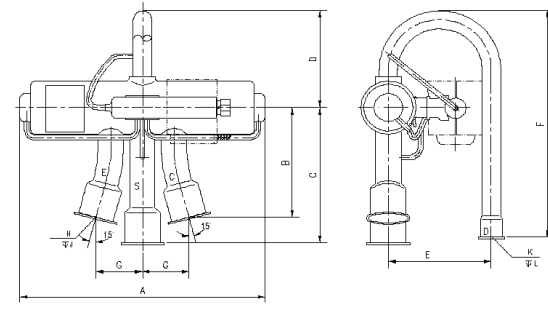
# Reversing Valve | Ranco to Sanhua Cross-Reference



Sketch 1

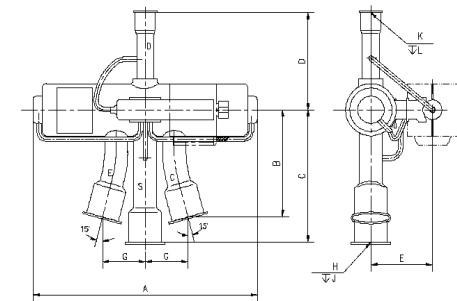


Sketch 2

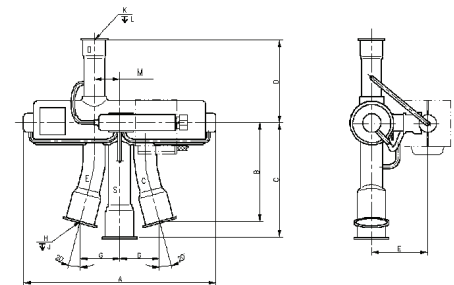


Sketch 3

Brand and Model		Sketch (1 - 5)	Dimensions (in)											
			A	B	C	D	E	F	G	H	J	K	L	M
RANCO	V0-406050-1xx	1	4.06	1.97	2.44	1.59	1.65	-	0.47	0.38	0.38	0.32	0.33	-
SANHUA	SHF(L)-4H-23U-L1		3.72	1.97	2.44	1.69	1.69	4.13	0.47	0.38	0.37	0.32	0.33	-
RANCO	V1-406060-2xx	1	5.04	2.32	2.81	2.05	2.07	-	0.63	0.38	0.38	0.38	0.38	-
SANHUA	SHF(L)-4H-23U-L1		3.72	1.97	2.44	1.69	1.69	4.13	0.47	0.38	0.37	0.32	0.33	-
RANCO	V2-408060-1xx	2	5.04	2.32	2.81	1.94	-	-	0.63	0.51	0.38	0.38	0.38	-
SANHUA	SHF(L)-7H-34-L1		4.45	2.32	2.80	2.05	-	-	0.63	0.50	0.37	0.38	0.39	-
RANCO	V2-408060-2xx	1	5.04	2.32	2.81	2.05	2.07	-	0.63	0.51	0.38	0.38	0.38	-
SANHUA	SHF(L)-7H-34U-L1		4.45	2.32	2.80	2.01	2.05	4.69	0.63	0.50	0.37	0.38	0.37	-
RANCO	V2-410060-3xx	4	5.04	2.26	2.81	1.94	1.46	-	0.93	0.63	0.63	0.38	0.38	-
SANHUA	SHF(L)-7H-35-L1		4.45	2.24	2.83	2.05	1.34	-	0.93	0.63	0.63	0.38	0.39	-
RANCO	V2-410060-4xx	3	5.04	2.26	2.81	2.05	2.07	-	0.93	0.63	0.63	0.38	0.38	-
SANHUA	SHF(L)-7H-35U-L1		4.45	2.24	2.83	2.01	2.65	4.69	0.93	0.63	0.63	0.38	0.37	-
RANCO	V2-410080-3xx	4	5.04	2.26	2.81	1.94	1.46	-	0.93	0.63	0.63	0.51	0.38	-
SANHUA	SHF(L)-7H-45-L1		4.45	2.24	2.83	2.05	1.34	-	0.93	0.63	0.63	0.50	0.39	-
RANCO	V3-410080-7xx	5	5.04	2.38	2.82	1.94	1.46	-	0.95	0.63	0.62	0.51	0.38	0.63
SANHUA	SHF(L)-11H-45D1-01		4.61	2.44	2.83	2.05	1.34	-	0.98	0.63	0.67	0.50	0.39	0.63
RANCO	V3-412080-8xx	5	5.04	3.25	3.45	1.94	1.46	-	1.28	0.76	0.75	0.51	0.38	0.63
SANHUA	SHF(L)-11H-46D1-01		4.61	3.23	3.43	2.05	1.34	-	1.28	0.76	0.75	0.50	0.39	0.63



Sketch 4

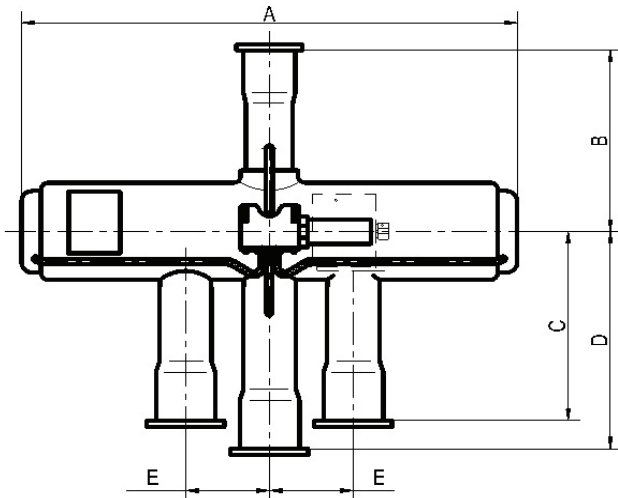


Sketch 5

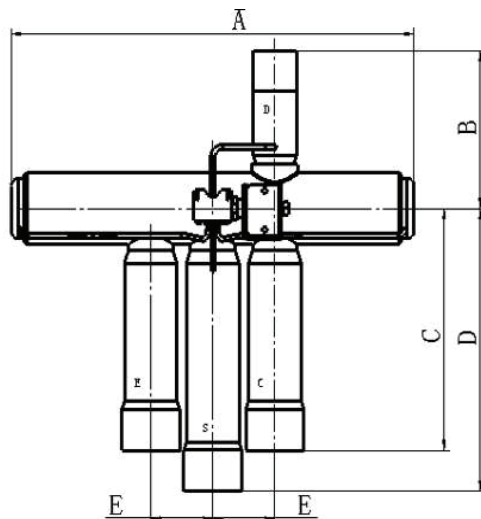
\* Ranco and Sanhua are brands owned and produced by Sanhua



# Reversing Valve | Ranco to Sanhua Cross-Reference



Sketch 1



Sketch 2

Brand and Model		Sketch (1 or 2)	Dimensions (in)				
			A	B	C	D	E
RANCO	V6-412080-1xx	1	7.83	2.63	3.25	3.75	1.12
SANHUA	SHF-20D-46		7.23	2.64	3.27	3.74	1.13
RANCO	V6-414080-1xx	1	7.83	2.63	3.25	3.75	1.12
SANHUA	SHF-20D-47		7.23	2.64	3.27	3.74	1.13
RANCO	V6-414120-1xx	1	7.83	2.63	3.25	3.75	1.12
SANHUA	SHF-20D-67		7.23	2.64	3.27	3.74	1.13
RANCO	V6-4140K1-1TC	1	7.83	2.63	3.25	3.75	1.12
SANHUA	SHF-20D-57		7.23	2.64	3.27	3.74	1.13
RANCO	V10-414080-1xx	1	8.30	3.22	3.38	3.88	1.32
SANHUA	SHF-35B-47		8.35	3.23	3.43	3.94	1.30
RANCO	V10-414101-2xx	1	8.30	3.22	3.38	3.88	1.32
SANHUA	SHF-35B-57		8.35	3.23	3.43	3.94	1.30
RANCO	V10-414120-1xx	1	8.30	3.22	3.38	3.88	1.32
SANHUA	SHF-35B-67		8.35	3.23	3.43	3.94	1.30
RANCO	V10-414140-4xx	1	8.30	3.22	3.38	3.88	1.32
SANHUA	SHF-35B-77		8.35	3.23	3.43	3.94	1.30
RANCO	V10-418101-1xx	1	8.30	3.22	3.38	3.88	1.32
SANHUA	SHF-35B-59		8.35	3.23	3.43	3.94	1.30
RANCO	V10-418101-2xx	1	8.30	3.22	3.38	3.88	1.32
SANHUA	SHF-35B-59		8.35	3.23	3.43	3.94	1.30
RANCO	V10-418140-1xx	1	8.30	3.22	3.38	3.88	1.32
SANHUA	SHF-35B-79		8.35	3.23	3.43	3.94	1.30
RANCO	V10-418140-1xx	1	8.30	3.22	3.38	3.88	1.32
SANHUA	SHF-35B-79		8.35	3.23	3.43	3.94	1.30
RANCO	V12-4220T0-2xx	2	10.6	3.81	5.90	6.90	1.63
SANHUA	SHF-50-911D2		10.6	3.82	5.87	6.85	1.63

\* Ranco and Sanhua are brands owned and produced by Sanhua

# Reversing Valve | c r o s s - r e f e r e n c e



Connections ODF (in.)		Sanhua	Sanhua OEM	Sanhua/Ranco	Danfoss	DunAn	Wilspec
Discharge	E - S - C				Saginomiya		
1/4"	3/8"	SHF(L)-4H-23	SHF(L)-4H-23	V1-408060-1xx V1-408061-100			
		SHF(L)-4H-23U	SHF-4H-23U-xx SHF(L)-4H-23U-xx	V0-406050-1xx V0-406060-2xx V1-406063-200	STF-0101G STF-0104G		
3/8"	1/2"	SHF(L)-7H-34	SHF-7H-34-xx SHF(L)-7H-34-xx	V2-408060-1xx V2-408060-2xx V2-408061-1xx			RV101A34AA
		SHF(L)-7H-34U	SHF-7H-34U-xx SHF(L)-7H-34U	V2-406060-200			
3/8"	5/8"	SHF(L)-7H-35	SHF-7H-35-xx SHF(L)-7H-35-xx	V2-410060-3xx V2-410061-3xx		DSF-9R-00	
		SHF(L)-7H-35U	SHF(L)-7H-35U	V2-410060-4xx			
		SHF(L)-9H-35	SHF-9H-35				
		SHF(L)-9H-35U	SHF(L)-9H-35U				
1/2"	1/2"	SHF(L)-11H-44	SHF-11H-44-xx				RV102A44AZ
1/2"	5/8"	SHF-7H-45	SHF-7H-45-xx				
		SHF-7H-45D1	SHF-7H-45D1-xx				
		SHF(L)-9H-45D1-L1	SHF-9H-45D1 SHF(L)-9H-45D1-xx				
		SHF(L)-11H-45D1-L1	SHF(L)-11H-45D1-xx	V3-410080-7xx V3-410081-7xx	STF-0214G STF-0306G	DSF-11B-00	
1/2"	3/4"	SHF(L)-11H-46D1	SHF-11H-46D1 SHF(L)-11H-46-xx	V3-412080-8xx V3-412081-8xx V3-41208A-1xx		DSF-11M-00	RV103A46EA
		SHF-14-46	SHF-14-46				
		SHF-20D-46-02	SHF-20A-46-xx SHF-20D-46-02-xx	V6-412080-1xx V6-412081-1xx V6-41208A-1xx	STF-0401G STF-0404G	DSF-20-00	RV104B46AZ
1/2"	7/8"	SHF-14-47	SHF-14-47				
		SHF-20D-47-02	SHF-20A-47-xx SHF-20D-47-02-xx SHF-20D-47-04	V6-414080-1xx V6-414081-1xx V6-41408A-1xx	STF-0409G STF-0420G	DSF-20K-00 DSF-20Q-00	RV104B47AZ RV106A47AA
		SHF-35B-47-04	SHF-35A-47-xx SHF-35B-47-04-xx	V10-414080-1xx V10-414081-1xx		DSF-34S-00	

Note: "xx" indicates a 1 or 2 digit code may follow the model number.

Continued on next page



# Reversing Valve | *Continued*



Connections ODF (in.)		Sanhua	Sanhua OEM	Sanhua/Ranco	Danfoss	DunAn	Wilspec
Discharge	E - S - C				Saginomiya		
1/2"	1-1/8"	SHF-35B-49-04	SHF-35A-49				
5/8"	3/4"	SHF-20D-56		V6-4120K0-2xx			
5/8"	7/8"	SHF-14-57	SHF-14-57				
		SHF-20A-57	SHF-20A-57				
		SHF-20D-57	SHF-20D-57	V6-4140K1-1xx V6-414100-1xx V6-414101-1xx	STF-0413G		
		SHF-35B-57-04	SHF-35A-57	V10-414100-1xx V10-414101-2xx V10-41410A-1xx			
5/8"	1-1/8"	SHF-35B-59-04	SHF-35A-59-xx	V10-418100-1xx V10-418101-2xx			
3/4"	1-1/8"	SHF-35B-69-04	SHF-35A-69	V10-418120-1xx V10-418121-1xx			RV110A69AA
7/8"	7/8"	SHF-35B-77		V10-414140-4xx V10-414141-5xx			
7/8"	1-1/8"	SHF-35B-79-04	SHF-35A-79-xx SHF-35B-79-04	V10-418140-1xx V10-418140-2xx V10-418141-1xx V10-418141-2xx	STF-0715G		
7/8"	1-3/8"	SHF-50-711	SHF-50-711				
1-1/8"	1-3/8"	SHF-50-911D2	SHF-50-911D2 SHF-50S-911D2-01	V12-4220T0-2xx V12-4220T1-2xx	STF-2017G		RV112A911JZ-11
1-1/8"	1-5/8"	SHF(L)-70-913-03	SHF(L)-70-913-03				
1-3/8"	1-5/8"	SHF(L)-100-1113-01	N30C18G				
		SHF(L)-100-1113-03					
1-1/2"	2-1/8"	SHF(L)-175-1217	N50C13G				
1-5/8"	2-5/8"	SHF(L)-350-1721		VH32087a			
<b>Coil Voltage</b>		<b>Sanhua</b>	<b>Sanhua OEM</b>	<b>Sanhua/Ranco</b>			
24/50-60 volt AC		Coil- SHF-FA4	SHF-4-10FA4	SHF-4-10L5	LDK-11xxx-xxx	LDL-11xxx-xxx	
120/50-60 volt AC		Coil- SHF-FA2	SHF-4-10FA2	SHF-4-10L4	LDK-31xxx-xxx	LDL-31xxx-xxx	
208-240/50-60 volt AC		Coil- SHF-FA5	SHF-4-10FA5	SHF-4-10L3	LDK-41xxx-xxx	LDL-41xxx-xxx	

Note: "xx" indicates a 1 or 2 digit code may follow the model number.

## Universal AC/HP TXV Kit

for R-410A and R-22 Air Conditioning and Heat Pump



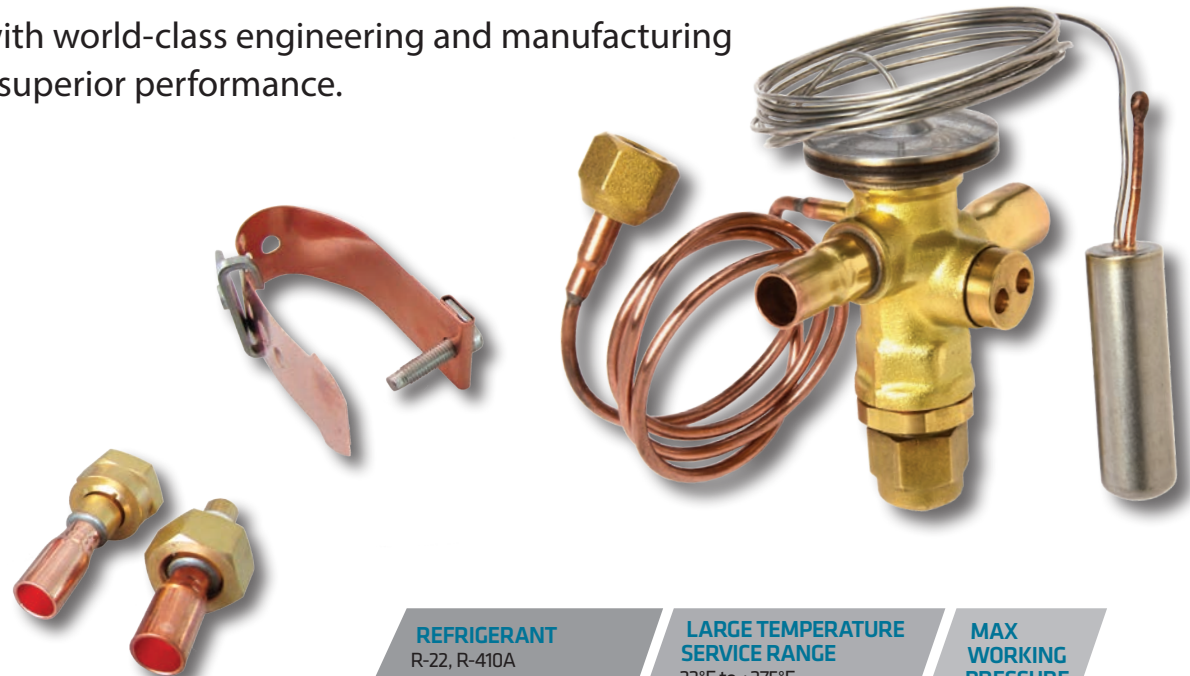
- **Three outlet connection options:**
  - ✓ 1/2" ODF Sweat
  - ✓ Aeroquip adaptor
  - ✓ Chatleff adaptor
- **Balanced port design ideal to handle a capacity range**
- **External superheat adjustment**
- **Fewer SKUs for more applications**
- **Built-in check valve, use either on heat pump or straight cooling applications**

The Sanhua Universal AC/HP TXV Kit is designed with world-class engineering and manufacturing technology combined with premium materials for superior performance.

### TECHNICAL DATA

Part Number	Capacity Range	Refrigerant
TXVFE-2-22-Kit	1.00 to 2 Tons	R-22
TXVFE-3-22-Kit	2.25 to 3 Tons	R-22
TXVFE-4-22-Kit	3.25 to 4 Tons	R-22
TXVFE-6-22-Kit	4.25 to 6 Tons	R-22
TXVFE-2-410A-Kit	1.00 to 2 Tons	R-410A
TXVFE-3-410A-Kit	2.25 to 3 Tons	R-410A
TXVFE-4-410A-Kit	3.25 to 4 Tons	R-410A
TXVFE-5-410A-Kit	4.25 to 5 Tons	R-410A

**Note:** Connections:  
 3/8" ODF In  
 1/2" ODF Out, plus Aeroquip and Chetleff adaptors  
 Equalizer 1/8" OD x 24" with 1/4" SAE flare nut



**REFRIGERANT**  
R-22, R-410A

**LARGE TEMPERATURE SERVICE RANGE**  
-22°F to +275°F

**MAX WORKING PRESSURE**  
650 psig

# TXVH Valve

## Step 1:

Select orifice size based on nominal capacity



## Step 2:

Select body to match refrigerant & connection style desired

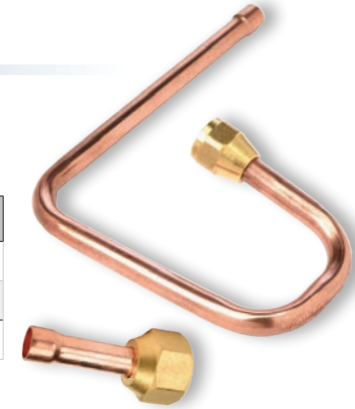


## Step 3:

### SOLDER ADAPTERS

Aftermarket Model	Solder Connection
TXVH-3S-IN	3/8"
TXVH-2S-IN	1/4"
TXVH-3 Loop-IN	3/8"

Note: 1. Copper tube and flare nut are included



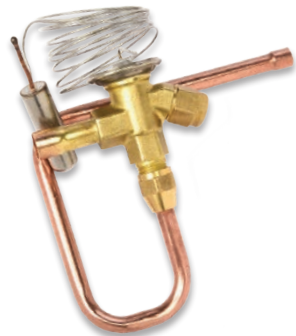
### STEP 1: ORIFICE SELECTION CRITERIA

Orifice Model	Nominal Capacity					
	R-22 R-407A R-407C R-407F		R-404A R-507		R-134a	
	Tons	Bal. Port	Tons	Bal. Port	Tons	Bal. Port
TXVH-0X	1/5		1/8		1/8	
TXVH-00	1/3	AAA	1/4	AAA	1/5	AAA
TXVH-01	3/4	AA	1/2	AA	1/3	
TXVH-02	1		3/4		1/2	AA
TXVH-03	1-1/2	A	1-1/4	A	3/4	
TXVH-04	2-1/2	B	2	B	1	A
TXVH-05	3-1/2		2-1/2		1-3/4	B
TXVH-06	5	C	3	C	2-1/2	C

### STEP 2: SELECT BODY TO MATCH REFRIGERANT AND CONNECTION

Valve Body Configuration Inlet x Outlet x Equalizer	R-22 R-407A R-407C R-407F	R-404A R-507	R-407A R-507 Low Temp (with MOP)	R-134a	Inlet Adaptor
 3/8 x 1/2 SAE Flare (Internally Equalized)	TXVH-22	TXVH-404A-507	TXVH-404A-507-14F	TXVH-134a	Not Required
 3/8 x 1/2 x 1/4 SAE Flare	TXVHE-22	TXVHE-404A-507	TXVHE-404A-507-14F	TXVHE-134a	Not Required
 1/4 x 3/8 ODF Sweat (Internally Equalized)	TXVH-22-3S	TXVH-404A-507-3S	TXVH-404A-507-3S-14F	TXVH-134a-3S	TXVH-2S-IN
 1/4 x 3/8 x 1/4 ODF Sweat	TXVHE-22-3S	TXVHE-404A-507-3S	TXVHE-404A-507-3S-14F	TXVHE-134a-3S	TXVH-2S-IN
 3/8 x 1/2 ODF Sweat (Internally Equalized)	TXVH-22-4S	TXVH-404A-507-4S	TXVH-404A-507-4S-14F	TXVH-134a-4S	TXVH-3S-IN
 3/8 x 1/2 x 1/4 ODF Sweat	TXVHE-22-4S	TXVHE-404A-507-4S	TXVHE-404A-507-4S-14F	TXVHE-134a-4S	TXVH-3S-IN

### STEP 3



# TXV - Removable Inlet Strainer | cross-reference



Ref.	Inlet (in)	Outlet (in)	Ext. Eq. (in)	Sanhua				Sporlan					
				Valve Body	Cartridge	Inlet Adaptor	Components	EG	SBF	SR			
R-404A R-507	3/8" ODF	1/2" ODF	---	TXVH-404A-507-4S	TXVH-0X	TXVH-3S-IN	<p>TXVH Sweat Body (3 combinations)</p>	EGS-1/8-C					
					TXVH-00			EGS-1/6-C	SBFS-AAA-C				
					TXVH-01			EGS-1/4-C					
			TXVHE-404A-507-4S	TXVH-00	EGSE-1/6-C			SBFSE-AAA-C	SRSE-1/6-C				
				TXVH-01	EGSE-1/4-C				SRSE-1/4-C				
				TXVH-03	EGSE-1/6-Z			SBFSE-AAA-Z	SRSE-1/6-Z				
				TXVH-04	EGSE-1/4-Z				SRSE-1/4-Z				
				TXVH-05	EGSE-1/2-C			SBFSE-AA-C	SRSE-1/2-C				
				TXVH-06	EGSE-1/2-Z			SBFSE-AA-Z	SRSE-1/2-Z				
				TXVH-00	EGSE-1-C			SBFSE-A-C	SRSE-1-C				
			TXVHE-404A-507-4S-14F	TXVH-01	EGSE-1-Z	SBFSE-A-Z	SRSE-1-Z						
				TXVH-03	EGSE-1-1/2-C	SBFSE-B-C	SRSE-1-1/2-C						
				TXVH-04	EGSE-1-1/2-Z	SBFSE-B-Z	SRSE-1-1/2-Z						
				TXVH-05	EGSE-2-C		SRSE-2-C						
				TXVH-06	EGSE-2-Z		SRSE-2-Z						
				TXVH-00		SBFSE-C-C	SRSE-3-C						
						1/4" ODF			<p>Cartridge with Removeable Strainer (7 orifice sizes)</p>	<p>Inlet Sweat Adaptor (1 sizes)</p>	SBFSE-C-Z	SRSE-3-Z	
											EGSE-1/6-ZP	SBFSE-AAA-ZP	SRSE-1/6-ZP
											EGSE-1/4-ZP		SRSE-1/4-ZP
											EGSE-1/2-ZP	SBFSE-AA-ZP	SRSE-1/2-ZP
EGSE-1-ZP	SBFSE-A-ZP	SRSE-1-Z											
EGSE-1-1/2-ZP	SBFSE-B-ZP	SRSE-1-1/2-ZP											
EGSE-2-ZP		SRSE-2-ZP											
	SBFSE-C-ZP	SRSE-3-ZP											

Continued on next page

# TXV - Removable Inlet Strainer | *continued*



Ref.	Inlet (in.)	Outlet (in.)	Ext. Eq. (in.)	Sanhua				Sporlan			
				Valve Body	Cartridge	Inlet Adaptor	Components	EG	SBF	SR	
R-22	3/8" ODF	1/2" ODF	---	TXVH-22-4S	TXVH-00	TXVH-3S-IN	<p>TXVH Sweat Body (4 combinations)</p>	EGV-1/3-C	SBFV-AAA-C	SRV-1/3-C	
					TXVH-01			EGV-1/3-Z	SBFV-AAA-Z	SRV-1/3-Z	
					TXVH-02			EGV-1/2-C EGV-3/4-C	SBFV-AA-C	SRV-1/2-C	
				TXVH-22-4S-14F	TXVH-00			EGV-1/2-Z EGV-3/4-Z	SBFV-AA-Z	SRV-1/2-Z	
					TXVH-01			EGV-1-C		SRV-1-C	
					TXVH-02			EGV-1-Z		SRV-1-Z	
				1/4" ODF	TXVHE-22-4S			TXVH-01	EGV-1/3-ZP	SBFV-AAA-ZP	SRV-1/3-ZP
								TXVH-02	EGV-1/2-ZP EGV-3/4-ZP	SBFV-AA-ZP	SRV-1/2-ZP
								TXVH-03	EGV-1-ZP		SRV-1-ZP
					TXVHE-22-4S-14F			TXVH-01	EGVE-1/2-C EGVE-3/4-C	SBFVE-AA-C	SRVE-1/2-C
			TXVH-02			EGVE-1/2-Z EGVE-3/4-Z	SBFVE-AA-Z	SRVE-1/2-Z			
			TXVH-03			EGVE-1-C		SRVE-1-C			
			TXVH-04			EGVE-1-Z		SRVE-1-Z			
			TXVHE-22-4S-14F		TXVH-01	EGVE-1-1/2-C	SBFVE-A-C				
					TXVH-02	EGVE-1-1/2-Z	SBFVE-A-Z				
					TXVH-03	EGVE-2-C EGVE-2-1/2-C	SBFVE-B-C	SRVE-2-C			
				TXVH-04	EGVE-2-Z EGVE-2-1/2-Z	SBFVE-B-Z	SRVE-2-Z				
				TXVH-04	EGVE-1/2-ZP EGVE-3/4-ZP	SBFVE-AA-ZP	SRVE-1/2-ZP				
			TXVHE-22-4S-14F	TXVH-01	EGVE-1-ZP		SRVE-1-ZP				
				TXVH-02	EGVE-1-1/2-ZP	SBFVE-A-ZP					
TXVH-03	EGVE-2-ZP EGVE-2-1/2-ZP	SBFVE-B-ZP		SRVE-2-ZP							
TXVH-04											
TXVH-04											

Continued on next page

# TXV - Removable Inlet Strainer | *continued*






Ref.	Inlet (in.)	Outlet (in.)	Ext. Eq. (in.)	Sanhua				Sporlan		
				Valve Body	Cartridge	Inlet Adaptor	Components	EG	SBF	SR
R-134a	3/8" ODF	1/2" ODF	---	TXVH-134a-4S	TXVH-01	TXVH-3S-IN	TXVH Sweat Body (2 combinations)			SRJ-1/4-C SRJ-1/4-Z
					TXVH-02				SBFF-AA-C SBFJ-AA-C	
			1/4" ODF	TXVHE-134a-4S	TXVH-02		Cartridge with Removable Strainer (3 orifice sizes)		SBFFE-AA-C SBFJE-AA-C	
					TXVH-04				SBFFE-AA-Z SBFJE-AA-Z	
								EGFE-1-C EGJE-1-C	SBFFE-A-C SBFJE-A-C	SRJE-1-C
								EGFE-1-Z EGJE-1-Z	SBFFE-A-Z SBFJE-A-Z	SRJE-1-Z
		Inlet Sweat Adaptor (1 size)								



# TXV - ODF Sweat Connections | c r o s s - r e f e r e n c e






Ref.	Inlet (in.)	Outlet (in.)	Ext. Eq. (in.)	Sanhua				Sporlan		
				Valve Body	Cartridge	Inlet Adaptor	Components	EF	EBF	ER
R-404A R-507	1/4" ODF	3/8" ODF	---	TXVH-404A-507-3S	TXVH-00	TXVH-2S-IN	TXVH Sweat Body (7 combinations)    Cartridge (6 orifice sizes)    Inlet Sweat Adaptor (2 sizes)  	EFSE-1/4-C		ERS-1/4-C
					TXVH-01				EBFS-AA-C	
					TXVH-03			EFSE-1-C	EBFS-A-C	ERS-1-C
		1/2" ODF	---	TXVH-404A-507-4S	TXVH-00			EFSE-1/4-C		ERS-1/4-C
					TXVH-01				EBFS-AA-C	
					TXVHE-404A-507-4S			EFSE-1/2-C		ERSE-1/2-C
	1/2" ODF	1/4" ODF	TXVHE-404A-507-4S-14F	TXVH-01	EFSE-1/2-Z			ERSE-1/2-Z		
					EFSE-1/2-ZP			ERSE-1/2-ZP		
					EFSE-1/2-C			ERSE-1/2-C		
	3/8" ODF	1/2" ODF	1/4" ODF	TXVHE-404A-507-4S	TXVH-01	TXVH-3S-IN		EFSE-1/2-Z		ERSE-1/2-Z
					TXVH-03			EFSE-1-C	EBFSE-A-C	ERSE-1-C
					TXVH-04			EFSE-1-Z	EBFSE-A-Z	ERSE-1-Z
					EFSE-1-1/2-C		EBFSE-B-C	ERSE-1-1/2-C		
					EFSE-1-1/2-Z		EBFSE-B-Z	ERSE-1-1/2-Z		
					EFSE-1/2-ZP			ERSE-1/2-ZP		
TXVHE-404A-507-4S-14F			TXVH-01	EFSE-1-ZP	EBFSE-A-ZP	ERSE-1-ZP				
			TXVH-03	EFSE-1-1/2-ZP	EBFSE-B-ZP	ERSE-1-1/2-ZP				
			TXVH-04	EFV-1/4-C	EBFV-AAA-C	ERV-1/3				
	R-22	1/4" ODF	3/8" ODF	---	TXVH-22-3S	TXVH-2S-IN	EFV-1/4-C	EBFV-AAA-C	ERV-1/3	
					TXVH-22-4S		EFVE-1/2-C	EBFVE-AA-C	ERVE-1/2-C	
					TXVHE-22-4S		EFVE-1-C		ERVE-1-C	
1/2" ODF		1/4" ODF	---	TXVH-22-4S	TXVH-00		EFV-1/4-C	EBFV-AAA-C	ERV-1/3	
				TXVH-01	EFV-1/2-C		EBFV-AA-C	ERV-1/2		
				TXVH-02	EFVE-1/2-C		EBFVE-AA-C	ERVE-1/2-C		
3/8" ODF	1/2" ODF	1/4" ODF	TXVHE-22-4S	TXVH-01	TXVH-3S-IN	EFVE-1-C		ERVE-1-C		
				TXVH-02		EFVE-1-1/2-C	EBFVE-A-C	ERVE-1-1/2-C		
				TXVH-03		EFVE-2-C	EBFVE-B-C	ERVE-2-C		
				TXVH-04		EFVE-3-C		ERVE-3-C		
				TXVH-05						

Continued on next page

# TXV - ODF Sweat Connections | cross-reference



Continued

Ref.	Inlet (in.)	Outlet (in.)	Ext. Eq. (in.)	Sanhua				Sporlan				
				Valve Body	Cartridge	Inlet Adaptor	Components	EF	EBF	ER		
R-134a	1/4" ODF	1/2" ODF	---	TXVH-134a-4S	TXVH-00	TXVH-2S-IN	 <p>TXVH Sweat Body</p>			ERJ-1/6-C		
					TXVH-01			EFF-1/4-C EFJ-1/4-C				
					TXVH-02			EFF-1/2-C EFJ-1/2-C		ERJ-1/2-C		
			TXVHE-134a-4S	TXVH-02	EFFE-1/2-C EFJE-1/2-C				ERJE-1/2-C			
			1/4" ODF	TXVH-134a-4S	TXVH-01						ERJ-1/4-C	
			---	TXVH-134a-4S	TXVH-02					EBFF-AA-C EBFJ-AA-C		
		3/8" ODF	1/2" ODF	---	TXVHE-134a-4S	TXVH-04		TXVH-3S-IN	 <p>Cartridge (4 orifice sizes)</p>			
	 <p>Inlet Sweat Adaptor (2 sizes)</p>								EFFE-1-C EFJE-1-C	EBFFE-A-C EBFJE-A-C	ERJE-1-C	

# TXV - SAE Flare Connections | c r o s s - r e f e r e n c e



Ref.	Inlet (in)	Outlet (in)	Ext. Eq. (in)	Sanhua			Sporlan				
				Valve Body	Cartridge	Components	G	F	BF	R	
R-404A R-507	1/4" SAE	1/2" SAE	---	TXVH-404A-507 (3/8" SAE Inlet)	TXVH-00	<p>TXVH SAE Flare Body (6 combinations)</p> <p>Cartridge (5 orifice sizes)</p>	GS-1/4-C	FS-1/4-C		RS-1/4-C	
					TXVH-01		GS-1/4-Z	FS-1/4-Z		RS-1/4-Z	
					GS-1/2-C		FS-1/2-C	BFS-AA-C	RS-1/2-C		
					GS-1/2-Z		FS-1/2-Z	BFS-AA-Z	RS-1/2-Z		
		1/4" SAE	TXVH-404A-507-14F (3/8" SAE Inlet)	TXVH-00	GS-1/4-ZP		FS-1/4-ZP		RS-1/4-ZP		
			TXVH-01	GS-1/2-ZP	FS-1/2-ZP		BFS-AA-ZP	RS-1/2-ZP			
			TXVHE-404A-507 (3/8" SAE Inlet)	TXVH-01	GSE-1/2-C		FSE-1/2-C	BFSE-AA-C	RSE-1/2-C		
			TXVHE-404A-507-14F (3/8" SAE Inlet)	TXVH-01	GSE-1/2-Z		FSE-1/2-Z	BFSE-AA-Z	RSE-1/2-Z		
					GSE-1/2-ZP		FSE-1/2-ZP	BFSE-AA-ZP	RSE-1/2-ZP		
		3/8" SAE	1/2" SAE	1/4" SAE	TXVHE-404A-507		TXVH-03	GSE-1-C	FSE-1-C	BFSE-A-C	RSE-1-C
					TXVH-04	GSE-1-Z	FSE-1-Z	BFSE-A-Z	RSE-1-Z		
					TXVHE-404A-507-14F	TXVH-03	GSE-1-1/2-C	FSE-1-1/2-C	BFSE-B-C	RSE-1-1/2-C	
					TXVH-04	GSE-1-1/2-Z	FSE-1-1/2-Z	BFSE-B-Z	RSE-1-1/2-Z		
R-22	1/4" SAE	1/2" SAE	---	TXVH-22 (3/8" SAE Inlet)	TXVH-00	GV-1/4-C	FV-1/4-C	BFV-AAA-C	RV-1/3-C		
					TXVH-01	GV-1/2-C	FV-1/2-C	BFV-AA-C	RV-1/2-C		
				1/4" SAE	TXVHE-22 (3/8" SAE Inlet)	TXVH-01	GVE-1/2-C	FVE-1/2-C	BFVE-AA-C	RVE-1/2-C	
					TXVH-02	GVE-1-C	FVE-1-C		RVE-1-C		
		3/8" SAE	1/2" SAE	---	TXVH-22	TXVH-01	GV-1/2-C	FV-1/2-C	BFV-AA-C	RV-1/2-C	
					TXVH-02	GV-1-C	FV-1-C		RV-1-C		
						TXVH-03	GV-1-1/2-C	FV-1-1/2-C	BFV-A-C	RV-1-1/2-C	
						TXVHE-22	TXVH-01	GVE-1/2-C	FVE-1/2-C	BFVE-AA-C	RVE-1/2-C
				TXVH-02	GVE-1-C	FVE-1-C		RVE-1-C			
		1/4" SAE			TXVHE-22	TXVH-02	GVE-1-1/2-C	FVE-1-1/2-C	BFVE-A-C	RVE-1-1/2-C	
					TXVH-03	GVE-2-C	FVE-2-C	BFVE-B-C	RVE-2-C		
						TXVH-04					

Continued on next page

# TXV - SAE Flare Connections | c r o s s - r e f e r e n c e



Continued

Ref.	Inlet (in)	Outlet (in)	Ext. Eq. (in)	Sanhua			Sporlan			
				Sanhua Valve Body	Cartridge	Components	Sporlan G	Sporlan F	Sporlan BF	Sporlan R
R-134a	1/4" SAE	1/2" SAE	---	TXVH-134a (3/8" SAE Inlet)	TXVH-01	<p>TXVH Sweat Body (2 combinations)</p>	GF-1/4-C	FF-1/4-C		RJ-1/4-C
					TXVH-02		GJ-1/4-C	FJ-1/4-C		RJ-1/2-C
		1/4" SAE	TXVHE-134a (3/8" SAE Inlet)	TXVH-02	GF-1/2-C		FF-1/2-C	BFF-AA-C	RJE-1/2-C	
					GJ-1/2-C		FJ-1/2-C	BFJ-AA-C		
	3/8" SAE	1/2" SAE	---	TXVH-134a	TXVH-02		GFE-1/2-C	FFE-1/2-C	BFFE-AA-C	RJE-1/2-C
					TXVH-04		GJE-1/2-C	FJE-1/2-C	BFJE-AA-C	
			1/4" SAE	TXVHE-134a	TXVH-02		GF-1/2-C	FF-1/2-C	BFF-AA-C	RJ-1/2-C
					TXVH-04		GJ-1/2-C	FJ-1/2-C	BFJ-AA-C	
					TXVH-04		GF-1-C	FF-1-C	BFF-A-C	RJ-1-C
					TXVH-05		GJ-1-C	FJ-1-C	BFJ-A-C	
TXVH-04	GFE-1/2-C	FFE-1/2-C	BFFE-AA-C	RJE-1/2-C						
	GJE-1/2-C	FJE-1/2-C	BFJE-AA-C							
	GFE-1-C	FFE-1-C	BFFE-A-C	RJE-1-C						
	GJE-1-C	FJE-1-C	BFJE-A-C							
	GFE-1-1/2-C	FFE-1-1/2-C		RJE-1-1/2-C						
	GJE-1-1/2-C	FJE-1-1/2-C								

# Ball Valve | cross-reference



Connection ODF (in.)	Access Valve	Sanhua	JB Industries		Apollo	Emerson	Henry	Mueller	Sporlan	Superior
			Standard	E-Line						
3/8	No	BV-3-S	V34200	V34300	79-701-01	BVE 038	907203	AP17860C	EBV-1030	586WA-6ST
	Yes	BV-3-S-T	V34400	V34500		BVS 038	937203	AQ17860C	EBVT-1030	586WAS-6ST
1/2	No	BV-4-S	V34201	V34301	79-702-01	BVE 012	907204	AP17861C	EBV-1040	586WA-8ST
	Yes	BV-4-S-T	V34401	V34501		BVS 012	937204	AQ17861C	EBVT-1040	586WAS-8ST
5/8	No	BV-5-S	V34202	V34302	79-703-01	BVE 058	907205	AP17862C	EBV-1050	586WA-10ST
	Yes	BV-5-S-T	V34402	V34502		BVS 058	937205	AQ17862C	EBVT-1050	586WAS-10ST
3/4	No	BV-6-S	V34203	V34303		BVE 034	907306	AP17863	EBV-1060	587WA-12ST
	Yes	BV-6-S-T		V34503		BVS 034	937306	AQ17863	EBVT-1060	
7/8	No	BV-7-S	V34204	V34304	79-704-01	BVE 078	907307	AP17864C	EBV-1070	587WA-14ST
	Yes	BV-7-S-T	V34404	V34504		BVS 078	937307	AQ17864C	EBVT-1070	587WAS-14ST
1 1/8	No	BV-9-S	V34206	V34306	79-705-01	BVE 118	907409	AP17865	EBV-1090	591WA-11ST
	Yes	BV-9-S-T	V34406	V34506		BVS 118	937409	AQ17865	EBVT-1090	591WAS-11ST
1 3/8	No	BV-11-S	V34207	V34307	79-706-01	BVE 138	907511	A17866	EBV-1110	592WA-13ST
	Yes	BV-11-S-T	V34407	V34507		BVS 138	937511	AC17866	EBVT-1110	592WAS-13ST
1 5/8	No	BV-13-S	V34208	V34308	79-707-01	BVE 158	907613	A17867	EBV-1130	593WA-15ST
	Yes	BV-13-S-T	V34408	V34508		BVS 158	937613	AC17867	EBVT-1130	593WAS-15ST
2 1/8	No	BV-17-S	V34209	V34309	79-708-01	BVE 218	907617	A17868	EBV-1170	594WA-21ST
	Yes	BV-17-S-T	V34409	V34509		BVS 218	937617	AC17868	EBVT-1170	594WAS-21ST
2 5/8	No	BV-21-S	V34210	V34310	79-709-01	BVE 258 *		A17869 A17871 *	EBV-1210 EBV-2210 *	594WA-25ST * 595WA-25ST
	Yes	BV-21-S-T		V34510		BVS 258 *	937721 * 937721FP	AC17869 AC17871 *	EBVT-1210 EBVT-2210 *	595WAS-25ST
3 1/8	No	BV-25-S	V34211 *	V34311 *	79-600-01 *	BVE 318 *	907825FP	A17870 A17872 *	EBV-1250 EBV-2250 *	594WA-31ST * 596WA-31ST
	Yes	BV-25-S-T		V34511 *		BVS 318 *	937725 * 937825FP	AC17870 AC17872 *	EBVT-1250 EBVT-2250 *	596WAS-31ST
3 5/8	No									596WA-35ST *
	Yes	BV-29-S-T						B34909 *		
4 1/8	No									596WA-41ST *
	Yes	BV-33-S-T						B34910 *		

\* Reduced Port

# Solenoid Valves | c r o s s - r e f e r e n c e



Conn. ODF (in.)	Sanhua	Sporlan		Emerson		Parker	Danfoss		
		Standard	R-410A	Standard	R-410A				
1/4"	SoV3-2-S	E3S120		100RB2S2		R16E32	EVR3 (032F7105)	EVU 3 (032F9525) EVU 3 (032F5024)	EVUL 3 (032F9511) EVUL 3 (032F8202)
3/8"	SoV3-3-S	E3S130		100RB2S3		R16E33	EVR3 (032F1157)	EVU 3 (032F5111) EVU 3 (032F5026)	EVUL 3 (032F8203)
	SoV6-3-S	E6S130	E6S130-HP	200RB3T3	200RD3T3		EVR6 (032F7115)	EVU 6 (032F9527) EVU 6 (032F5046)	EVUL 6 (032F8209)
1/2"	SoV6-4-S	E6S140	E6S140-HP	200RB3T4	200RD3T4		EVR6 (032F1162)	EVU 6 (032F9528) EVU 6 (032F5049)	EVUL 6 (032F9514) EVUL 6 (032F8210)
	SoV9-4-S	E9S240	E9S240-HP	200RB4T4 200RB5T4	200RD4T4 200RD5T4		EVR8 (032F7121)		
	SoV10-4-S	E10S240	E10S140-HP E10S240-HP	200RB6T4	200RD6T4		EVR10 (032F1166)		
5/8"	SoV10-5-S	E10S250	E10S150-HP E10S250-HP	200RB6S5 200RB6T5	200RD6T5		EVR10 (032F1168)		
	SoV15-5-S	E14S250	E14S250-HP	200RB7T5	200RD7T5		EVR15 (032F1171)		
7/8"	SoV15-7-S	E14S270	E14S270-HP	200RB7T7	200RD7T7		EVR15 (032F7130)		
	SoV20-7-S	E19S270	E19S270-HP	200RB9T7	200RD9T7		EVR20 (032F1176)		
	SoV22-7-S	E25S270	E25S270-HP	200RB12T7	200RD12T7				
1-1/8"	SoV20-9-S	E19S290	E19S290-HP	200RB9T9	200RD9T9				
	SoV22-9-S	E25S290	E25S290-HP	200RB12T9	200RD12T9		EVR22 (032F7145)		
1-3/8"	SoV22-11-S	E25S2110	E25S2110-HP				EVR22 (032F7146)		
<b>Solenoid Valves with Manual Lift Stem</b>									
3/8"	SoV6-3-S-M	ME6S130	ME6S130-HP	200RB3T3M	200RD3T3M	R26E63M	EVR6 (032F7116)		
1/2"	SoV6-4-S-M	ME6S140	ME6S140-HP	200RB3T4M	200RD3T4M		EVR6 (032F7144)		
	SoV10-4-S-M	ME10S240	ME10S240-HP	200RB6T4M	200RD6T4M	R36E104M	EVR10 (032F1188)		
5/8"	SoV10-5-S-M	ME10S250	ME10S250-HP	200RB6S5M 200RB6T5M	200RD6T5M	R36E105M	EVR10 (032F7149)		
	SoV15-5-S-M	ME14S250	ME14S250-HP	200RB7T5M	200RD7T5M	R38E145M	EVR15 (032F1172)		
7/8"	SoV20-7-S-M	ME19S270	ME19S270-HP	200RB9T7M	200RD9T7M	R42E197M	EVR20 (032F1177)		
1-1/8"	SoV22-9-S-M	ME25S290	ME25S290-HP	200RB12T9M	200RD12T9M	R46E259M	EVR22 (032F7137)		



# Sight Glass/Moisture Indicator | c r o s s - r e f e r e n c e



Connection (in.)		Sanhua	Danfoss			Emerson		Mueller	Parker	Sporlan	
		Aftermarket	CFC/HCFC Ind.	HFC Indicator	R-410A Indicator	Standard Ind.	Hi Accuracy Ind.			Standard	Copper Conn.
1/4	Male SAE Flare	SG-2	SGI 6	SGN 6	SGH 6	AMI-1MM2	HMI-1MM2	A 18101	PSG-2	SA-12	
	Female x Male SAE Flare	SG-2-FM	SGI 6 (FM)	SGN 6 (FM)		AMI-1FM2	HMI-1FM2	A 18106	PSG-2MF	SA-12FM	
	ODF Solder	SG-2-S	SGI 6s	SGN 6s	SGH 6s	AMI-1TT2	HMI-1TT2	A 18114	PSG-2S	SA-12S	SA-K142
3/8	Male SAE Flare	SG-3	SGI 10	SGN 10		AMI-1MM3	HMI-1MM3	A 18102	PSG-3	SA-13	
	Female x Male SAE Flare	SG-3-FM	SGI 10 (FM)	SGN 10 (FM)		AMI-1FM3	HMI-1FM3	A 18107	PSG-3MF	SA-13FM	
	ODF Solder	SG-3-S	SGI 10s	SGN 10s	SGH 10s	AMI-1TT3	HMI-1TT3	A 18115	PSG-3S	SA-13S	SA-K143
1/2	Male SAE Flare	SG-4	SGI 12	SGN 12		AMI-1MM4	HMI-1MM4	A 18103	PSG-4	SA-14	
	Female x Male SAE Flare	SG-4-FM	SGI 12 (FM)	SGN 12 (FM)		AMI-1FM4	HMI-1FM4	A 18108	PSG-4MF	SA-14FM	
	ODF Solder	SG-4-S	SGI 12s	SGN 12s	SGH 12s	AMI-1TT4	HMI-1TT4	A 18116	PSG-4S	SA-14S	SA-K144
5/8	ODF Solder	SG-5-S	SGI 16s	SGN 16s	SGH 16s	AMI-1TT5	HMI-1TT5	A 18117	PSG-5S	SA-15S	SA-K145
7/8	ODF Solder	SG-7-S	SGI 22s	SGN 22s	SGH 22s	AMI-1TT7	HMI-1TT7	A 18119	PSG-7S	SA-17S	SA-K147
1 1/8	ODF Solder	SG-9-S				AMI-1TT9	HMI-1TT9	A 18120	PSG-9S	SA-19S	

# PS - Pressure Controls | c r o s s - r e f e r e n c e



Style	Reset	Sanhua	Danfoss	Johnson Controls	Ranco
Low Pressure	Auto Reset	PS01AM-S01	060-523300	P70AB-2C	O10-1402 O10-1483
			606-523700		
	060-523500				
	Manual Reset	PS01MM-S01			
High Pressure	Auto Reset	PS50AM-S01	060-524100		O16-108 O10-2054
			060-524200		
			060-524300		
			060-524500		
	Manual Reset	PS50MM-S01	060-524600		
Dual Pressure	Auto Reset	PS15AAM-S01	060-524700	P70LB-1C	O12-1549 O12-4834 O12-1506
			060-524800		
			060-525300		
			060-525400		
		Manual Reset	PS15MM-S01	060-524900	P70MA-1C
		060-525000			

## PS - Fan Cycle Controllers

Style	Reset	Sanhua	Danfoss	Johnson Controls	Ranco
High Pressure	Auto Reset	PS50AM-S01	060-524300 060-524500		
	Manual Reset	PS50MM-S01	060-524600		

Check out our new website for all your Sanhua needs.



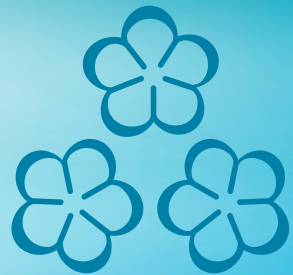
Less time  
to find your  
information



Everything you need  
at your fingertips



User friendly  
design



# SANHUA



*Sanhua's cross-reference is also available  
on our website at [www.sanhuausa.com](http://www.sanhuausa.com).*

