

# *Wide Inner Ring Bearings*

---

## INDUSTRIAL SERIES

### **Nomenclature**

	Page
Introduction . . . . .	<b>150-151</b>
KR, KRB, KRR, KRRB, Non-Relubricatable Types . . . . .	<b>153</b>
G-KRR, G-KRRB, Relubricatable Types . . . . .	<b>154</b>
GN-KRRB Heavy Series, Relubricatable Types . . . . .	<b>155</b>

## STANDARD SERIES

RA-RR, RA-RRB Series Non-Relubricatable Types . . . . .	<b>156</b>
GRA-RR, GRA-RRB Series, Relubricatable Types . . . . .	<b>157</b>
YA-RR, YA-RRB Series, Non-Relubricatable Types . . . . .	<b>158</b>
GYA-RR, GYA-RRB Series, Relubricatable Types . . . . .	<b>159</b>
RAL-NPPB Series, Non-Relubricatable Types . . . . .	<b>160</b>

## SPECIAL SERIES

KL, KLB, KLL, KLLB Standard Series, Non-Relubricatable Types . . . . .	<b>161</b>
G-KLL, G-KLLB Standard Series Relubricatable Types . . . . .	<b>162</b>
KLLG Series, Wireloc Non-Relubricatable Types . . . . .	<b>163</b>
GN-KLLB Heavy Series, Non-Relubricatable Types . . . . .	<b>164</b>

## INDUSTRIAL SERIES

Tri-Ply Seal Series, Non-Relubricatable and Relubricatable Types . . . . .	<b>165</b>
GC-KRRB Series, Concentric Collar, Relubricatable Types . . . . .	<b>166</b>
GY-KRRB Setscrew Series Extra-Wide Inner, Relubricatable Types . . . . .	<b>167</b>
ER Series, Relubricatable Types . . . . .	<b>168</b>
SM Series, A and B Types . . . . .	<b>169</b>
SMN Heavy Series, A and B Types . . . . .	<b>170</b>
SM-S Series . . . . .	<b>171</b>
SMN-S Heavy Series . . . . .	<b>172</b>
GYM-KRRB Series . . . . .	<b>173</b>

## Wide Inner Ring Ball Bearings

### Prefixes:

#### Basic Series and Additional Features

<b>C</b>	concentric collar
<b>E</b>	metric bore
<b>G</b>	relubricatable
<b>1</b>	standard series (200 series bearings)
<b>L</b>	light Series
<b>N</b>	heavy series (300 series bearings)
<b>RA</b>	extended inner ring, one side only
<b>SM</b>	standard series (open type bearings)
<b>SMN</b>	heavy series (open type bearings)
<b>GY, ER, YA</b>	setscrew locking device series
<b>M</b>	medium duty setscrew lock series

G1

103

### Numbers:

Last three numbers indicate bore size —  
first in inches, last two in sixteenths

<b>015</b>	$\frac{15}{16}$ "
<b>103</b>	$1\text{-}\frac{3}{16}$ "
<b>203</b>	$2\text{-}\frac{3}{16}$ "
<b>25</b>	25mm (metric)
<b>40</b>	40mm (metric)

### Suffixes:

#### Internal Construction

<b>K</b>	Conrad, non-filling slot type
<b>W</b>	maximum capacity filling slot type

K

RRB

#### Additional Features

<b>L</b>	one Mechani-seal
<b>LL</b>	two Mechani-seals
<b>PP</b>	two seals
<b>R</b>	one land riding rubber seal
<b>RR</b>	two land riding rubber seals
<b>B</b>	spherical outside diameter
<b>S</b>	external self-aligning
<b>PP2, 3, 4, etc.,</b>	—Tri-Ply seals if preceded by K
<b>TDC</b>	thin dense chrome plate
<b>F</b>	food grade grease



## INTRODUCTION

Fafnir Bearings Division of the Torrington Company, originated the wide inner ring bearing design for ball bearings which could be easily mounted on straight shafts and positioned without shoulders, locknuts or adapters.

The internal bearing construction is basically the same as the deep race, single row radial type with ability to carry radial, thrust and combined loads, while providing low friction qualities which are characteristic of high-grade bearings. The inner ring is generally extended on both sides of the race to provide additional shaft support, and is locked to the shaft by specially designed set screws or by the Fafnir-originated, eccentric self-locking collar or concentric collar. The wide inner ring bearings are also available with cylindrical or spherical outside diameters. The cylindrical or straight O.D.

type is used for mounting in straight-bored housings. The spherical O.D. type must be mounted in a corresponding spherical seat and is used to compensate for shaft or housing misalignments.

### Environment

Surrounding conditions such as humidity, corrosive fumes, thermal (either high or low temperature, vibration, radiation, electrical discharge and many others can detract from optimum performance. The use of improved seals, choice of lubricant most resistant to the exact environment, etc. may permit adequate bearing life to be achieved under these less ideal conditions.

**Contact The Torrington Company to discuss highly corrosive applications (i.e., food processing, chemical exposure) where Fafnir TDC® (RR and GY-KRRB Series) bearings can be utilized.**

## WIDE INNER RING BEARINGS WITH LOCKING COLLARS

The following series are available with the cam (self-locking) collar.

### RR Series

These bearings feature the flareout, contact type R-seal which encloses a synthetic rubber impregnated washer between two metal caps. Most sizes incorporate Fafnir's Shroud-Seal design. R-seal wide inner ring bearings are available in the following non-relubricatable variations: KR (one seal, cylindrical O.D.), KRR and KRRB (two seals). Relubricatable versions are: G-KRR, G-KRRB and GN-KRRB (heavy-duty).



RR Series

### LL Series

These bearings are dimensionally interchangeable with the RR series, but have non-contact labyrinth seals and steel cages for low torque, high speed and higher temperature service. (Up to 350° F.)

### RA-RR Series

The RA-RR series features an extended inner ring and self-locking collar for simple effective shaft retention in a standard series bearing. The newly developed, positive contact, land-riding R-seal provides improved protection against the heavy contamination encountered in many applications. All sizes have a heat stabilized, moisture conditioned 6/6 nylon retainer which has proven extremely effective under conditions of misalignment.

RA-RR extended inner ring bearings are available as RA-RR (two-seals, straight O.D.) and RA-RRB (two seals, spherical O.D.) . Relubricatable versions are, GRA-RR and GRA-RRB.



RA-RR Series

### Tri-Ply-Seal Series

Tri-Ply Seal bearings are designed for environments where severe conditions and moisture are present. The new one piece Tri-Ply seals incorporate a highly effective seal design molded to an exterior shroud cap. The shroud cap protects the seal lips from fiber wrap and abrasion while enhancing the overall sealing effectiveness of the unit. All units incorporate the self-locking collar and have a nylon retainer.

Tri-ply Seal bearings are available in both a non-relubricatable (KPPB) and relubricatable version (G-KPPB).



Tri-Ply-Seal Series

### External Self-Aligning Series

The construction of this series permits the inner assembly, which contains an open type ball bearing with spherical O.D. to align in the seat of the mating outer ring. The seat of this outer ring is matched with the spherical O.D. of the ball bearing outer ring providing unrestricted self-alignment which allows the inner assembly to become square and true with the shaft. Self-aligning units are available in both standard SM-S or heavy SMN-S series.



External Self-Aligning Series

### RA-DD Series Bearings

The new RA-DD series bearings are extended inner ring type with cam locking collars. They incorporate two close fitting non-contact grease shields to effectively retain lubricant and provide protection against harmful contaminants. The non-contact metallic shields provide improved high speed and low torque performance such as required for high speed printing press applications. The 6/6 molded nylon retainer has proven extremely effective under conditions of misalignment. These bearings are dimensionally inter-changeable and have the same load capacities as the RA-RR series. (Available in 5/8"-1 1/2" shaft sizes.)



RA-DD Series



## WIDE INNER RING BEARINGS WITH SETSCREW LOCKING DEVICE

The following series are available with the setscrew locking device with special set screws that are resistant to loosening during operation.

### GY-KRRB Series

Full width inner ring GY-KRRB bearings increase shaft support in HVAC, conveyors and other industrial applications. They feature superfinished raceways, grade 10 balls and antiback-out nylon patch setscrews. Flexible 6/6 nylon retainers and land riding shroud seals also ensure excellent performance. They are factory prelubricated and relubricable setscrew mounting feature is ideal for reversing applications.



GY-KRRB Series

### YA-RR series

The (G)YA-RR (B) series relubricatable and non-relubricatable bearings are an extended inner ring type with specially designed setscrews. Positive contact land riding R-Seals provide protection against harmful contaminants and retain lubricant.

Setscrew Series bearings are available in both non-relubricatable version YA-RRB and relubricatable version GYA-RRB. Both types have nylon retainers.



YA-RR Series

### ER Series

This series offers industry standard mounting dimensions and standard nomenclature for a large variety of sizes of relubricatable, extended inner ring bearings for through-bored housings. All bearings in this series have nylon retainers and are equipped with snap rings which eliminate the need for machining housing shoulders. ER bearings are designed with a unique setscrew locking device, that locks bearing to shaft and is resistant to loosening during operation. Positive contact land riding R Seals provide protection against harmful contaminants and retain lubricant. ER bearings are all black oxide coated for corrosion resistance.



ER Series

## WIDE INNER RING BEARINGS WITH CONCENTRIC COLLARS

### GC-KRRB Series

The GC-KRRB wide inner ring bearings are relubricatable with spherical outside diameters, nylon retainers and shroud seals. The metal shroud maintains tight seal contact against the inner ring and shields the rubber seals from damage due to dirt or fiber wrap. The concentric collar is locked to the shaft by two setscrews, located 120° apart, which are mated with threaded holes in the collar and drilled holes in the bearing inner ring.



GC-KRRB Series

### GYM-KRRB MEDIUM DUTY SERIES

The new Fafnir medium duty series offers reliable performance and extended life for applications which see heavier loads. This series has been designed with a combination of premium features – such as superfinished raceways and Fafnir's nylon patch setscrew locking device, as an ideal package for demanding conditions. These superior bearing inserts will operate with reduced levels in noise, vibration and friction and are the choice antifriction component for saw and paper mill applications, as well as fan and blower assemblies, and food and grain handling, and conveyor systems.



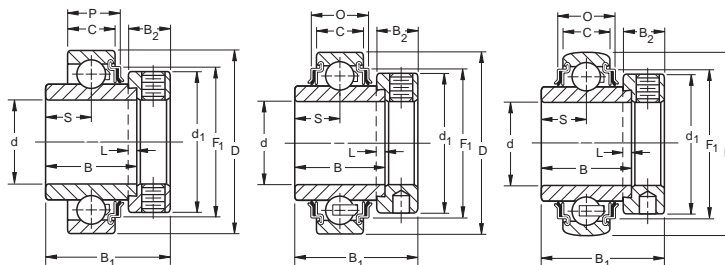
GYM-KRRB Series



# KR, KRR, KRRB Industrial Series Non-Relubricatable Types

The RR Series wide inner ring ball bearings are designed especially for extremely dirty or wet conditions. These bearings feature R-Seals with flared lips which firmly contact the ground O.D. of the inner ring to provide a positive seal against dust, dirt and other contaminants while effectively retaining the lubricant. RR Series bearings are equipped with Shroud-Seals which provide extra effectiveness and protection.

The extra wide design provides additional shaft support and extra large grease capacity.



**KR One Seal  
Cylindrical O.D.**

**KRR Two Seals  
Cylindrical O.D.**

**KRRB Two Seals  
Spherical O.D.**

Recommended shaft tolerances: 1/2"-1 15/16", nominal to **-0.005"**, **-0.13mm**;  
2"-2 15/16", nominal to **-0.010"**, **-0.25mm**.

TO ORDER, SPECIFY BEARING NUMBER FOLLOWED BY "AND COLLAR". EXAMPLE: 1103KRRB AND COLLAR.

Cylindrical O.D.	Bearing Number	Collar Number	Basic Outer Ring Size	Bore <sup>(1)</sup> d	O.D. D	Ring Widths		S	L	d <sub>1</sub>	B <sub>2</sub>	B <sub>1</sub>	F <sub>1</sub>	O	P	Brg. & Collar Wt.	Static Load Rating C <sub>0</sub>	Extended Dynamic Load Rating C <sub>E</sub>																	
						B Inner	C Outer																												
	(Spherical O.D.)			in. mm	in. mm	in. mm	in. mm	in. mm	in. mm	in. mm	in. mm	in. mm	in. mm	in. mm	in. mm	lbs kg	lbs N	lbs N																	
-	1008KRR (KRRB)	S1008K	203	1/2	1.5748 40	1 3/32	0.472	39/64	5/32	1 1/8	17/32	1 15/32	1.339	0.652	0.562	0.34 0.32	0.154 0.145	1000	2360																
1010KR	1010KRR (KRRB)	S1010K		5/8																27.78	12	13.9	4.0	28.6	13.5	37.3	34.01	16.56	14.27	0.27	0.122	4400	10600		
-	1011KRR (KRRB)	S1011K		11/16																17												0.27	0.122		
-	E17KRR (KRRB)	SE17K																														0.27	0.122		
1012KR	1012KRR (KRRB)	S1012K	204	3/4	1.8504 47	1 11/32	0.551	49/64	5/32	1 5/16	17/32	1 23/32	1.532	0.652	0.602	0.45 0.45	0.204 0.204	1400	3200																
-	E20KRR (KRRB)	SE20K		20																34.13	14	17.1	4.0	33.3	13.5	43.7	38.91	16.56	15.29	0.45	0.204	6200	14300		
-	1013KRR —	S1013K	205	13/16	2.0472 52	1 3/8	0.591	11/16	5/32	1 1/2	17/32	1 47/64	1.779	0.656	0.623	0.56 0.51	0.254 0.231	1560	3450																
-	1014KRR (KRRB)	S1014K		7/8																34.92	15	17.5	4.0	38.1	13.5	44.1	45.19	16.66	15.82	0.51	0.231	6950	15600		
1015KR	1015KRR (KRRB)	S1015K		15/16																25												0.51	0.231		
1100KR	1100KRR (KRRB)	S1100K		1																												0.51	0.231		
-	E25KRR (KRRB)	SE25K														0.51	0.231																		
1102KR	1102KRR (KRRB)	S1102K	206	1 1/8	2.4409 62	1 7/8	0.630 <sup>(2)</sup>	23/64	5/32	1 3/4	5/8	1 29/32	2.068	0.770	0.700	0.89 0.83	0.404 0.376	2280	4800																
1103KR	1103KRR (KRRB)	S1103K		1 1/4																36.51	16	18.3	4.0	44.4	15.9	48.4	52.53	19.56	17.78	0.83	0.376	10000	21600		
-	1103KRR3 (KRRB3)	S1103K3		1 1/4																30												0.77	0.349		
-	E30KRR (KRRB)	SE30K																														0.83	0.376		
1104KR	1104KRR (KRRB)	S1104K	207	1 1/4	2.8346 72	1 31/64	0.669 <sup>(3)</sup>	0.742	5/32	2 1/8	49/64	2 1/64	2.384	0.775	0.722	1.33 1.26	0.603 0.572	3050	6400																
-	1105KRR (KRRB)	S1105K		1 3/8																37.70	17	18.85	4.0	54.0	17.1	51.2	60.55	19.69	18.34	1.26	0.572	13700	28500		
-	1106KRR (KRRB)	S1106K		1 3/8																72												1.2	0.544		
1107KR	1107KRR (KRRB)	S1107		1 7/8																35												1.2	0.544		
-	E35KRR (KRRB)	SE35K														1.26	0.572																		
1108KR	1108KRR (KRRB)	S1108KT	208	1 1/2	3.1496 80	1 11/16	0.709 <sup>(4)</sup>	27/32	3/16	2 3/8	23/32	2 7/32	2.669	0.805	0.757	1.74 1.63	0.789 0.739	4000	8150																
-	1109KRR (KRRB)	S1109KT		1 5/8																42.86	18	21.4	4.8	60.3	18.3	56.4	67.79	20.45	19.28	1.63	0.739	17600	36000		
-	E40KRR (KRRB)	SE40K		1 5/8																40												1.63	0.739		
-	1110KRR (KRRB)	S1110K		1 5/8																												1.98	0.898		
1111KR	1111KRR (KRRB)	S1111K	209	1 11/16	3.3465 85	1 11/16	0.748	27/32	3/16	2 1/2	23/32	2 7/32	2.908	0.952	0.850	1.87 1.82	0.848 0.825	4000	8150																
1112KR	1112KRR (KRRB)	S1112K		1 3/4																42.86	19	21.4	4.8	63.5	18.3	56.4	73.86	24.18	21.59	1.82	0.825	17600	36000		
-	E45KRR (KRRB)	SE45K		1 3/4																45												1.82	0.825		
1115KR <sup>(6)</sup>	1114KRR (KRRB)	S1114K	210	1 7/8	3.5433 90	1 15/16	0.787 <sup>(5)</sup>	31/32	3/16	2 3/4	23/32	2 15/32	3.059	0.965	0.876	2.33 2.18	1.057 1.000	4500	8800																
-	1115KRR <sup>(6)</sup> (KRRB)	S1115K		1 15/16																49.21	20 <sup>(5)</sup>	24.6	4.8	69.9	18.3	62.7	77.7	24.51	22.25	2.18	1.000	19600	3900		
-	E50KRR (KRRB)	SE50K		1 15/16																50												2.18	1.000		
1200KR	1200KRR (KRRB)	S1200K	211	2	3.9370 100	2 3/16	0.827	1 3/32	3/16	3	13/16	2 13/16	3.432	1.079	0.953	3.35 2.99	1.520 1.356	5630	10800																
-	1202KRR (KRRB)	S1202K		2 1/8																55.56	21	27.8	4.8	76.2	20.6	71.4	87.17	27.41	24.21	2.88	1.306	25000	48000		
1203KR	1203KRR (KRRB)	S1203K		2 3/8																100												2.88	1.306		
-	E55KRR (KRRB)	SE55K		2 3/8																55												2.88	1.306		
-	1204KRR —	S1204K	212	2 1/4	4.3307 110	2 7/16	0.866	1 7/32	1/4	3 5/16	7/8	3 1/16	3.736	1.182	1.024	3.78 3.45	1.715 1.565	6950	13200																
1207KR	1207KRR (KRRB)	S1207K		2 7/8																61.91	22	31	6.4	84.1	22.2	77.8	94.89	30.02	26.01	3.45	1.565	31000	58500		
-	E60KRR (KRRB)	SE60K		2 7/8																60												3.56	1.615		
-	1215KRR (KRRB)	S1215K	215	2 15/16	5.1181 130	2 15/16	0.984	1 15/32	1/4	4	15/16	3 5/8	4.454	1.349	—	5.82 5.82	2.640 2.640	8500	15300																
-	E75KRR (KRRB)	SE75K		2 15/16																74.61	25	37.3	6.4	101.6	23.8	91.2	113.13	34.27	—	5.82	2.640	37500	68000		

<sup>(1)</sup> Bore tolerances: 1/2"-2 5/16" nominal to +0.005, **0.13mm**; 2 1/4"-2 5/16" nominal to +0.006", **0.15mm**.

<sup>(2)</sup> Spherical O.D. outer ring width is .709", **18mm**.

<sup>(3)</sup> Spherical O.D. outer ring width is .748", **19mm**.

<sup>(4)</sup> Spherical O.D. outer ring width is .827", **21mm**.

<sup>(5)</sup> Spherical O.D. outer ring width is .866", **22mm**.

<sup>(6)</sup> Available with Spherical O.D. to order add suffix B. Example 1115KRRB

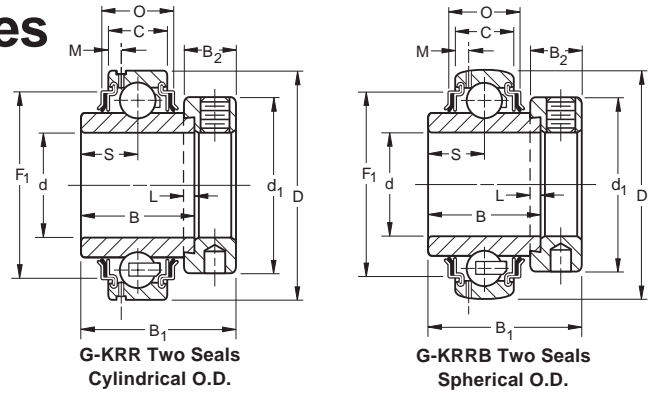


# G-KRR, G-KRRB Industrial Series Relubricatable Types

The G-KRR Series wide inner ring ball bearings are the same as the RR Series and have a provision for relubrication. They are designed especially for extremely dirty or wet conditions. These bearings feature R-Seals with flared lips which firmly contact the ground O.D. of the inner ring to provide a positive seal against dust, dirt and other contaminants while effectively retaining the lubricant. G-KRR Series bearings are equipped with Shroud-Seals which provide extra effectiveness and protection.

The extra wide design provides additional shaft support and extra large grease capacity.

Recommended shaft tolerances: 1/2"-1 1/16", nominal to **-0.005"**, **-0.13mm**;  
2"-2 1/16", nominal to **-0.010"**, **-0.25mm**.



Cylindrical O.D.	Spherical O.D.	Bearing Number	Collar Number	Basic Outer Ring Size	Bore <sup>(1)</sup> d	O.D. D	Ring Widths		S	L	d <sub>1</sub>	B <sub>2</sub>	M	B <sub>1</sub>	F <sub>1</sub>	O	Brg. & Collar Wt.		Static Load Rating C <sub>0</sub>	Extended Dynamic Load Rating C <sub>E</sub>
							B Inner	C Outer									lbs	kg		
					in.	in.	in.	in.	in.	in.	in.	in.	in.	in.	in.	in.	lbs	kg	lbs	lbs
					mm	mm	mm	mm	mm	mm	mm	mm	mm	mm	mm	mm			N	N
-	-	G1008KRRB	S1008K		1/2												0.34	0.154		
-	-	G1009KRRB	S1009K		3/16												0.31	0.141		
G1010KRR	G1010KRRB	S1010K		203	3/8	1.5748	1 1/2	0.472	3/64	5/32	1 1/8	1 1/2	0.107	1 15/32	1.339	0.652	0.31	0.141	1000	2360
G1011KRR	G1011KRRB	S1011K			1 1/16	40	27.78	12	13.9	4.0	28.6	13.5	2.72	37.3	34.01	16.56	0.26	0.118	4400	10600
GE17KRR	GE17KRRB	SE17K			17												0.26	0.118		
G1012KRR	G1012KRRB	S1012K		204	3/4	1.8504	1 1 1/2	0.551	4 3/64	5/32	1 3/8	1 1/2	0.135	1 23/32	1.532	0.681	0.45	0.204	1400	3200
GE20KRR	GE20KRRB	SE20K			20	47	34.13	14	17.1	4.0	33.3	13.5	3.43	43.7	38.91	17.3	0.45	0.204	6200	14300
-	-	G1013KRRB	S1013K		1 3/16												0.63	0.286		
G1014KRR	G1014KRRB	S1014K		205	7/8	2.0472	1 3/8	0.591	1 1/16	5/32	1 1/2	1 1/2	0.152	1 3/4	1.779	0.656	0.58	0.263	1560	3450
G1015KRR	G1015KRRB	S1015K			1 1/8	52	34.92	15	17.5	4.0	38.1	13.5	3.86	44.4	45.19	16.66	0.53	0.240	6950	15600
G1100KRR	G1100KRRB	S1100K			1												0.50	0.227		
GE25KRR	GE25KRRB	SE25K			25												0.50	0.227		
G1101KRR	G1101KRRB	S1101K			1 1/16												0.92	0.417		
G1102KRR	G1102KRRB	S1102K			1 1/8	2.4409	1 1/8	0.709	2 3/32	5/32	1 7/16	1 1/2	0.156	1 29/32	2.068	0.849	0.89	0.404	2280	4800
G1103KRR	G1103KRRB	S1103K		206	1 1/4	62	36.51	18	18.3	4.0	44.1	15.9	3.96	48.4	52.53	21.56	0.83	0.376	10000	21600
-	-	G1103KRRB3	S1103K3		1 1/4												0.77	0.349		
GE30KRR	GE30KRRB	SE30K			30												0.83	0.376		
G1104KRR	G1104KRRB	S1104K			1 1/4												1.44	0.653		
-	-	G1105KRRB	S1105K		1 1/8	2.8346	1 3 3/64	0.748	0.742	5/32	2 1/8	4 3/64	0.145	2 1/4	2.384	0.856	1.36	0.617	3050	6400
G1106KRR	G1106KRRB	S1106K			1 3/8	72	37.70	19	18.85	4.0	54.0	17.1	3.68	51.2	60.55	21.74	1.29	0.585	13700	28500
G1107KRR	G1107KRRB	S1107			1 7/8												1.24	0.562		
GE35KRR	GE35KRRB	SE35K			35												1.29	0.585		
G1108KRR	G1108KRRB	S1108KT			1 1/2	3.1496	1 1 1/16	0.827	2 1/2	3/8	2 3/8	2 3/2	0.16	2 1/2	2.669	0.923	1.79	0.812	4000	8150
-	-	G1109KRRB	S1109KT		1 1/16	80	42.86	21	21.4	4.8	60.3	18.3	4.06	56.4	67.79	23.44	1.70	0.771	17600	36000
GE40KRR	GE40KRRB	SE40K			40												1.70	0.771		
G1110KRR	G1110KRRB	S1110K			1 3/8												2.04	0.925		
G1111KRR	G1111KRRB	S1111K		209	1 1/2	3.3465	1 1 1/16	0.866	2 1/2	3/8	2 1/2	2 3/2	0.179	2 1/2	2.908	1.07	1.94	0.880	4000	8150
G1112KRR	G1112KRRB	S1112K			1 3/4	85	42.86	22	21.4	4.8	63.5	18.3	4.55	56.4	73.86	27.18	1.84	0.835	17600	36000
GE45KRR	GE45KRRB	SE45K			45												1.84	0.835		
-	-	G1113KRR	S1113K		1 1 3/16												2.46	1.116		
-	-	G1114KRRB	S1114K		1 1/8	3.5433	1 1 1/16	0.906 <sup>(2)</sup>	3 3/32	3/8	2 3/4	2 3/2	0.185	2 1 1/2	3.059	1.083	2.28	1.034	4500	8800
G1115KRR	G1115KRRB	S1115K		210	1 1 3/8	90	49.21	23	24.6	4.8	69.9	18.3	4.7	62.7	77.7	27.51	2.24	1.016	19600	39000
GE50KRR	GE50KRRB	SE50K			50												2.24	1.016		
G1200KRR	G1200KRRB	S1200K			2												3.49	1.583		
-	-	G1201KRRB	S1201K		2 1/16	3.9370	2 3/16	0.945	1 3/2	3/8	3	1 3/16	0.197	2 1 3/16	3.432	1.142	3.24	1.470	5630	10800
-	-	G1202KRRB	S1202K		2 1/8	100	55.56	24	27.8	4.8	76.2	20.6	5.0	71.4	87.17	29.01	3.10	1.406	25000	48000
G1203KRR	G1203KRRB	S1203K			2 1/4												3.01	1.365		
GE55KRR	GE55KRRB	SE55K			55												3.01	1.365		
-	-	G1204KRRB	S1204K		2 1/4												4.50	2.041		
-	-	G1205KRRB	S1205K		2 3/16	4.3307	2 3/8	1.063	1 1/2	3/4	3 3/8	3/8	0.202	3 1/8	3.736	1.379	4.24	1.923	6950	13200
-	-	G1206KRRB	S1206K		2 3/8	110	61.91	27	31	6.4	84.1	22.2	5.13	77.8	94.89	35.03	4.07	1.846	31000	58500
G1207KRR	G1207KRRB	S1207K			2 7/8												3.92	1.778		
GE60KRR	GE60KRRB	SE60K			60												4.07	1.846		
-	-	G1210KRRB	S1210K		2 3/8	4.9213	2 1 1/16	1.102	1 1 1/2	1/2	3 1 3/16	1 1/8	0.2	3 1/8	4.298	1.415	5.91	2.681	8500	15600
-	-	G1211KRRB	S1211K		2 1 1/8	125	68.26	28	34.1	6.4	96.8	23.8	5.08	79.4	109.17	35.94	5.70	2.585	37500	69500
-	-	GE70KRRB	SE70K		70												5.70	2.585		
-	-	G1212KRRB	S1212K		2 3/4												6.80	3.084		
-	-	G1213KRRB	S1213K		2 1 3/8	5.1181	2 1 5/8	1.142	1 1 1/2	3/4	4	1 3/8	0.219	3 3/8	4.454	1.506	6.56	2.976	8500	15300
-	-	G1214KRRB	S1214K		2 3/4	130	74.61	29	37.3	6.4	101.6	23.8	5.56	92.1	113.13	38.25	6.32	2.867	37500	68000
-	-	G1215KRRB	S1215K		2 1 1/2												6.07	2.753		
-	-	GE75KRRB	SE75K		75												6.07	2.753		

<sup>1)</sup> Bore tolerances: 1/2"-2 3/8" nominal to +.0005", .013mm;  
2 1/4"-2 1 1/8" nominal to +.0006", .015mm.

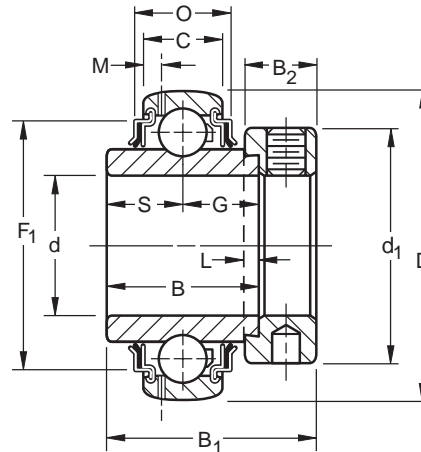
<sup>2)</sup> Spherical O.D. outer ring width is .866", 22 mm.



# GN-KRRB Heavy Series Relubricatable Type

The heavy series R-Seal wide inner ring bearings are similar to the standard series described on page 151 but are capable of withstanding continuous, heavy or shock loads. The GN-KRRB series has heavier section 300 series bearings, as well as a considerably thicker sealing member in the contact-type diaphragm seal. This design assures complete retention of the lubricant and positive exclusion of all contaminants. These bearings are especially effective at slow-to-moderate speeds under the severest of conditions of dirt and corrosion.

Recommended shaft tolerances: 1 3/16"-1 1/4", nominal to **-.0005"**, **-.013mm**;  
2"-3 1/4", nominal to **-.0010"**, **-.025mm**.



TO ORDER, SPECIFY BEARING NUMBER FOLLOWED BY "AND COLLAR". Example: GN303KRRB and Collar.

Bearing Number	Collar Number	Basic Outer Ring Size	Bore <sup>(1)</sup>		Ring Widths		S	G	L	d <sub>1</sub>	B <sub>2</sub>	M	B <sub>1</sub>	F <sub>1</sub>	O	Brg. & Collar Wt.		Static Load Rating C <sub>0</sub>	Extended Dynamic Load Rating C <sub>E</sub>
			d	D	B Inner	C Outer										lbs	kg		
GN103KRRB	SN103K	306	1 3/16	2.8346 72	1 1/16 0.787 36.51 20	1 1/16 3/4 5/32 1 15/16 1 1/16 0.142 1 31/32 2.369 0.925 1.22 0.553	17.5 19.1 4 49.2 17.5 3.61 50 60.17 23.5	1.68 0.762	3550 7500	15600 33500									
GN104KRRB	SN104K	307	1 1/4	3.1496 80	1 1/2 0.866 38.10 22	2 5/32 2 5/32 5/32 2 7/16 1 1/16 0.156 2 1/32 2.638 1.063 1.64 0.744	18.3 19.8 4 55.6 17.5 3.96 51.6 67.01 27 1.6 0.726	1.64 0.744	4500 9150	20000 40500									
GN105KRRB	SN105K		1 5/16																
GN106KRRB	SN106K		1 3/8																
GN107KRRB	SN107K		1 7/16																
GN108KRRB <sup>(2)</sup>	SN108K	308	1 1/2	3.5433 90	1 3/8 0.984 41.28 25	2 5/32 2 1/32 3/16 2 1/2 1 3/16 0.182 2 1/4 2.955 1.05 2.54 1.152	19.8 21.4 4.8 63.5 20.6 4.62 57.2 75.06 26.67	1.656 0.756	5500 11000	24500 49000									
GN110KRRB	SN110K	309	1 5/8	3.9370 100	1 11/16 1.063 42.86 27	2 5/32 2 5/32 3/16 2 3/4 1 3/16 0.197 2 5/16 3.251 1.123 3.65 1.656	19.8 23 4.8 69.9 20.6 5 58.7 82.58 28.52 3.21 1.456	3.65 1.656	6700 13200	30000 58500									
GN111KRRB	SN111K		1 11/16																
GN112KRRB	SN112K		1 3/4																
GN114KRRB	SN114K	310	1 7/8	4.3307 110	1 15/16 1.142 49.21 29	3 1/32 3 1/32 3/16 2 63/64 7/8 0.211 2 3/8 3.654 1.215 4.35 1.973	24.6 24.6 4.8 75.8 22.2 5.36 66.7 82.87 30.86 4.2 1.905	4.35 1.973	8000 15300	35500 68000									
GN115KRRB	SN115K		1 15/16																
GN200KRRB	SN200K	311	2	4.7244 120	2 3/16 1.22 55.56 31	1 3/32 1 3/32 3/16 3 1/4 3/8 0.216 2 3/8 4.007 1.475 4.7 2.132	27.8 27.8 4.8 82.6 22.2 5.49 73 101.78 37.47 5.22 2.368	4.7 2.132	9300 18000	41500 80000									
GN203KRRB	SN203K		2 3/16																
GN207KRRB	SN207K	312	2 1/16	5.1181 130	2 1/16 1.299 61.91 33	1 7/32 1 7/32 7/16 3 1/2 1 5/16 0.23 3 1/8 4.312 1.535 6.26 2.839	31 31 6.4 88.9 23.8 5.84 79.4 108.52 38.99	6.26 2.839	10800 20400	48000 90000									
GN211KRRB	SO211K	314	2 11/16	5.9055 150	2 11/16 1.457 68.26 37	1 11/32 1 11/32 7/16 4 1 1/16 0.265 3 1/2 4.973 1.77 9.94 4.509	34.1 34.1 6.4 101.6 27 6.73 88.9 126.31 44.96	9.94 4.509	14300 26000	63000 116000									
GN215KRRB	SN215K	315	2 15/16	6.2992 160	2 15/16 1.535 74.61 39	1 15/32 1 15/32 7/16 4 7/16 1 1/4 0.255 3 15/16 5.273 2.013 12.42 5.634	37.3 37.3 6.4 112.7 31.8 6.48 100 133.02 51.13	12.42 5.634	16000 28500	71000 125000									
GN303KRRB	SN303K	316	3 3/16	6.6929 170	3 3/16 1.614 80.96 41	1 15/32 1 15/32 7/16 4 11/16 1 1/4 0.286 4 3/16 5.623 2.010 15.71 7.126	40.5 40.5 6.4 119.1 31.8 7.26 106.4 142.82 51.05	15.71 7.126	18000 30500	80000 137000									
GN307KRRB	SN307K	318	3 1/16	7.4803 190	3 3/16 1.772 87.31 45	1 21/32 1 21/32 5/16 5 1/4 1 1/16 0.322 4 9/16 6.353 2.072 20.26 9.19	42.1 42.1 7.9 133.4 36.5 8.18 115.9 161.37 52.63	20.26 9.19	22400 35000	98000 156000									
GN315KRRB	SN315K	320	3 15/16	8.4646 215	3 15/16 1.929 100.01 49	1 31/32 1 31/32 5/16 5 3/4 1 1/16 0.308 5 1/16 7.199 2.337 26.97 12.233	50 50 7.9 146.1 36.5 7.82 129.6 182.85 59.36	26.97 12.233	22900 43000	132000 193000									

<sup>(1)</sup> Bore tolerances: 1 3/16"-2 3/16" nominal to **+.0005"**, **.013mm**; 2 1/4"-3 3/16" nominal to **+.0006"**, **.015mm**.

<sup>(2)</sup> Also available with cylindrical O.D. Delete suffix "B" Example: GN108KRR.





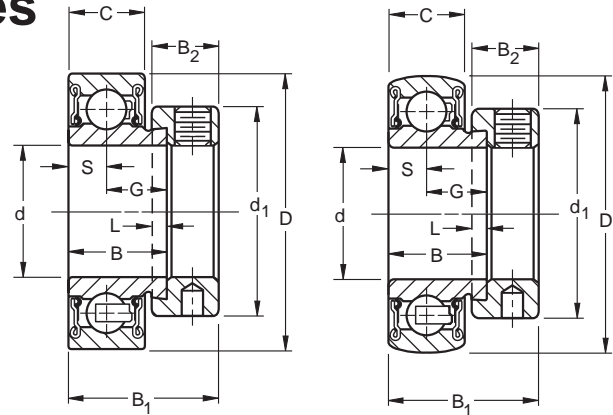
# RA-RR, RA-RRB Standard Series Non-Relubricatable Types

The RA-RR Series bearings are extended inner ring type with self-locking collar. A positive contact, land riding R-seal provides improved protection against harmful contaminants and effectively retains the lubricant under severe operating conditions. A 6/6 molded nylon retainer has proven extremely effective under conditions of misalignment. RA-RR Series bearings are factory prelubricated.

The RA-RR Series has cylindrical outside diameters.

The RA-RRB Series has spherical outside diameters for use in housings with corresponding spherical inside surfaces to provide unrestricted initial alignment.

Recommended shaft tolerances: 1/2"-1 1/16", nominal to **-0.0005"**, **-0.013mm**;  
2"-2 3/16", nominal to **-0.0010"**, **-0.025mm**.



RA-RR Two Seals  
Cylindrical O.D.

RA-RRB Two Seals  
Spherical O.D.

TO ORDER, SPECIFY BEARING NUMBER FOLLOWED BY "AND COLLAR". EXAMPLE: RA100RRB AND COLLAR.

Bearing Number	Collar Number	Basic Outer Size	Bore <sup>(1)</sup> d	O.D. D	Ring Widths		S	G	L	d <sub>1</sub>	B <sub>2</sub>	B <sub>1</sub>	Brg. & Collar Wt.		Static Load C <sub>0</sub>	Extended Dynamic Rating C <sub>E</sub>
					B Inner	C Outer							lbs	kg		
Cylindrical O.D.	Spherical O.D.		in. mm	in. mm	in. mm	in. mm	in. mm	in. mm	in. mm	in. mm	in. mm	in. mm	lbs kg	lbs N	lbs N	
RA008RR	RA008RRB	S1008K	1/2	1.5748	0.750	0.512 <sup>(2)</sup>	0.256	0.494	3/32	1 1/8	17/32	1 1/8	0.34	0.154	1000	2360
RA009RR	RA009RRB	S1009K	5/16	40	19.05	13	6.5	12.55	4.0	28.6	13.5	28.6	0.32	0.145	4400	10600
RA010RR	RA010RRB	S1010K	3/8	17									0.28	0.127		
RAE17RR	RAE17RRB	SE17K											0.28	0.127		
RA012RR	RA012RRB	S1012K	204	204	0.844	0.591 <sup>(3)</sup>	0.295	0.548	3/32	1 1/16	17/32	1 1/2	0.29	0.132	1400	3200
RAE20RR	RAE20RRB	SE20K		20	21.44	15	7.49	13.92	4.0	33.3	13.5	31	0.29	0.132	6200	14300
RA013RR	RA013RRB	S1013K	205	205	0.844	0.591	0.295	0.548	3/32	1 1/2	17/32	1 1/2	0.47	0.213	1560	3450
RA014RR	RA014RRB	S1014K											0.44	0.2	6950	15600
RA015RR	RA015RRB	S1015K		52	21.44	15	7.49	13.92	4.0	38.1	13.5	31	0.41	0.186		
RA100RR	RA100RRB	S1100K	1	25									0.41	0.186		
RAE25RR	RAE25RRB	SE25K											0.41	0.186		
RA101RR	RA101RRB	S1101K	1 1/16	2.4409	0.938	0.709	0.354	0.583	3/32	1 41/64	5/8	1 13/32	0.72	0.327	2280	4800
RA102RR	RA102RRB	S1102K	1 1/8	62	23.82	18	8.99	14.81	4.0	44.1	15.9	35.7	0.7	0.318	10000	21600
RA103RR	RA103RRB	S1103K	1 3/16										0.65	0.295		
RA103RR2	RA103RRB2	S1103K3	1 1/4	30									0.7	0.318		
RAE30RR	RAE30RRB	SE30K											0.7	0.318		
RA104RR	RA104RRB	S1104K	1 1/4	2.8346	1.000	0.748	0.374	0.626	3/32	2 1/8	43/64	1 17/32	1.19	0.54	3050	6400
RA105RR	RA105RRB	S1105K	1 5/16	72	25.4	19	9.5	15.9	4.0	54.40	17.1	38.9	1.13	0.513	13700	28500
RA106RR	RA106RRB	S1106K	1 3/8										1.13	0.513		
RA107RR	RA107RRB	S1107K	1 7/16	35									1.05	0.476		
RAE35RR	RAE35RRB	SE35K											1.13	0.513		
RA108RR	RA108RRB	S1108K	1 1/2	3.1496	1.188	0.866 <sup>(4)</sup>	0.433	0.755	3/16	2 3/8	23/32	1 23/32	1.53	0.694	4000	8150
RA109RR	RA109RRB	S1109K	1 5/16	80	30.18	22	11	19.18	4.8	60.3	18.3	43.7	1.43	0.649	17600	36000
RAE40RR	RAE40RRB	SE40K	40										1.43	0.649		
RA110RR	RA110RRB	S1110K	1 5/8	3.3465	1.188	0.866	0.433	0.755	3/16	2 1/2	23/32	1 23/32	1.62	0.735	4000	8150
RA111RR	RA111RRB	S1111K	1 11/16	85	30.18	22	11	19.18	4.8	63.5	18.3	43.7	1.5	0.68	17600	36000
RA112RR	RA112RRB	S1112K	1 3/4	45									1.5	0.68		
RAE45RR	RAE45RRB	SE45K											1.5	0.68		
RA113RR	RA113RRB	S1113K	1 13/16	3.5433	1.188	0.866	0.433	0.755	3/16	2 3/4	23/32	1 23/32	1.83	0.83	4500	8800
RA114RR	RA114RRB	S1114K	1 7/8	90	30.18	22	11	19.18	4.8	69.9	18.3	43.7	1.70	0.771	19600	39000
RA115RR	RA115RRB	S1115K	1 15/16										1.58	0.717		
RA115RR2	RA115RRB2	S1115K2	2	50									1.79	0.771		
RAE50RR	RAE50RRB	SE50K											1.79	0.771		
RA200RR	RA200RRB	S1200K	2	3.9370	1.281	0.945	0.472	0.809	3/16	3	13/16	1 29/32	1.98	0.898	5630	10800
RA201RR	RA201RRB	S1201K	2 1/16	100	32.54	24	11.99	20.55	4.8	76.2	20.6	48.4	1.89	0.857	25000	48000
RA202RR	RA202RRB	S1202K	2 1/8										1.78	0.807		
RA203RR	RA203RRB	S1203K	2 3/16	55									1.78	0.807		
RAE55RR	RAE55RRB	SE55K											1.78	0.807		

<sup>(1)</sup> Bore tolerance is nominal to **+0.0005"**, **0.013mm**

<sup>(2)</sup> Spherical O.D. outer ring width is **.472"**, **12mm**

<sup>(3)</sup> Spherical O.D. outer ring width is **.551"**, **14mm**

<sup>(4)</sup> Spherical O.D. outer ring width is **.827"**, **21mm**

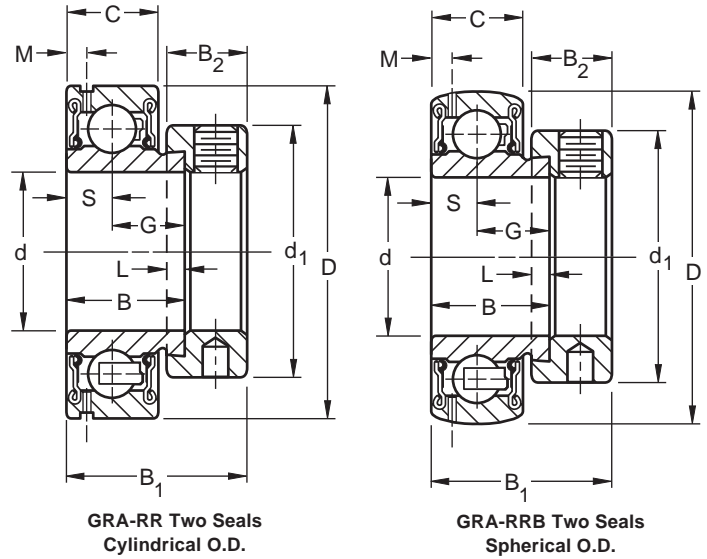




# GRA-RR, GRA-RRB Standard Series Relubricatable Types

GRA-RR series bearings are the same as the RA-RR series and have a provision for relubrication. GRA-RR series have cylindrical outside diameters while GRA-RRB have spherical outside diameters.

Recommended shaft tolerances: 1/2"-1 15/16", nominal to **-0.005"**, **-0.13mm**;  
2"-2 15/16", nominal to **-0.010"**, **-0.25mm**.



TO ORDER, SPECIFY BEARING NUMBER FOLLOWED BY "AND COLLAR." Example: GRA100RRB and Collar

Cylindrical O.D.	Spherical O.D.	Bearing Number	Collar Number	Basic Outer Ring Size	Bore <sup>(1)</sup>		O.D. D	Ring Widths		S	G	L	d <sub>1</sub>	B <sub>2</sub>	M	B <sub>1</sub>	Brg. & Collar Wt.		Static Load Rating C <sub>0</sub>	Extended Dynamic Load Rating C <sub>E</sub>
					in.	mm		in.	mm								in.	mm		
		GRA008RR	GRA008RRB	S1008K	1/2												0.34	0.154		
		—	GRA009RRB	S1009K	5/16		1.5748	0.750	0.512 <sup>(2)</sup>	0.256	0.494	3/32	1 1/8	1 1/32	0.107	1 1/8	0.32	0.145	1000	2360
		GRA010RR	GRA010RRB	S1010K	3/8		40	19.05	13	6.5	12.55	4.0	28.6	13.5	2.72	28.6	0.28	0.127	4400	10600
		GRAE17RR	GRAE17RRB	SE17K		17											0.28	0.127		
		GRA012RR	GRA012RRB	S1012K	7/16		1.8504	0.844	0.591 <sup>(3)</sup>	0.295	0.548	1/16	1 1/8	1 1/32	0.12	1 1/32	0.29	0.132	1400	3200
		GRAE20RR	GRAE20RRB	SE20K		20	47	21.44	15	7.49	13.92	4.0	33.3	13.5	3.05	31	0.29	0.132	6200	14300
		—	GRA013RRB	S1013K	13/16												0.51	0.231		
		GRA014RR	GRA014RRB	S1014K	3/4		2.0472	0.844	0.591	0.295	0.548	3/32	1 1/2	1 1/32	0.142	1 1/32	0.47	0.213	1560	3450
		—	GRA015RRB	S1015K	15/16		52	21.44	15	7.49	13.92	4.0	38.1	13.5	3.61	31	0.44	0.2	6950	15600
		GRA100RR	GRA100RRB	S1100K	1												0.41	0.186		
		GRAE25RR	GRAE25RRB	SE25K		25											0.41	0.186		
		GRA101RR	GRA101RRB	S1101K	1 1/16												0.77	0.349		
		GRA102RR	GRA102RRB	S1102K	1 1/8		2.4409	0.938	0.709	0.354	0.583	1/16	1 3/4	1 1/8	0.164	1 1/32	0.72	0.327	2280	4800
		GRA103RR	GRA103RRB	S1103K	1 1/4		62	23.83	18	8.99	14.81	4.0	44.1	15.9	4.17	35.7	0.7	0.318	10000	21600
		GRA103RR2	GRA103RRB2	S1103K3	1 1/4												0.65	0.295		
		GRAE30RR	GRAE30RRB	SE30K		30											0.7	0.318		
		GRA104RR	GRA104RRB	S1104K	1 3/8												1.24	0.562		
		—	GRA105RRB	S1105K	1 7/8		2.8346	1.000	0.748	0.374	0.626	3/32	2 1/8	1 1/4	0.145	1 1/32	1.19	0.54	3050	6400
		—	GRA106RRB	S1106K	1 5/8		72	25.4	19	9.5	15.9	4.0	54.0	17.1	3.68	38.9	1.13	0.513	13700	28500
		—	GRA107RRB	S1107K	1 1/2												1.05	0.476		
		GRAE35RR	GRAE35RRB	SE35K		35											1.13	0.513		
		GRA108RR	GRA108RRB	S1108K	1 1/2		3.1496	1.188	0.866 <sup>(4)</sup>	0.433	0.755	3/16	2 3/4	1 1/2	0.164	1 1/32	1.53	0.694	4000	8150
		—	GRA109RRB	S1109K	1 3/4		80	30.18	22	11	19.18	4.8	60.3	18.3	4.17	43.7	1.43	0.649	17600	36000
		GRAE40RR	GRAE40RRB	SE40K		40											1.43	0.649		
		—	GRA110RRB	S1110K	1 5/8												1.72	0.78		
		—	GRA111RRB	S1111K	1 11/16		3.3465	1.188	0.866	0.433	0.755	3/16	2 1/2	1 1/2	0.179	1 1/32	1.62	0.735	4000	8150
		—	GRA112RRB	S1112K	1 3/4		85	30.18	22	11	19.18	4.8	63.5	18.3	4.55	43.7	1.5	0.68	17600	36000
		—	GRAE45RRB	SE45K		45											1.5	0.68		
		—	GRA113RRB	S1113K	1 13/16												1.94	0.88		
		—	GRA114RRB	S1114K	1 7/8		3.5433	1.188	0.866	0.433	0.755	3/16	2 3/4	1 1/2	0.175	1 1/32	1.83	0.83	4500	8800
		—	GRA115RRB	S1115K	1 15/16		90	30.18	22	11	19.18	4.8	69.9	18.3	4.44	43.7	1.70	0.771	19600	39000
		—	GRA115RRB2	S1115K2	2												1.58	0.717		
		—	GRAE50RRB	SE50K		50											1.79	0.771		
		—	GRA200RRB	S1200K	2												2.12	0.962		
		—	GRA201RRB	S1201K	2 1/16		3.9370	1.281	0.945	0.472	0.809	3/16	3	1 1/8	0.193	1 1/32	1.98	0.898	5600	10800
		—	GRA202RRB	S1202K	2 1/8		100	32.54	24	11.99	20.55	4.8	76.2	20.6	4.9	48.4	1.89	0.857	25000	48000
		—	GRA203RRB	S1203K	2 3/8												1.78	0.807		
		—	GRAE55RRB	SE55K		55											1.78	0.807		

<sup>(1)</sup> Bore tolerance is nominal to +.0005, .013mm

<sup>(2)</sup> Spherical O.D. outer ring width is .472", 12mm

<sup>(3)</sup> Spherical O.D. outer ring width is .551", 14mm

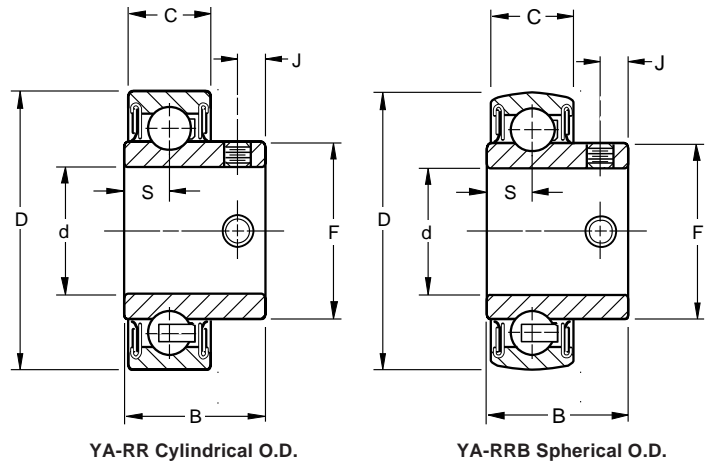
<sup>(4)</sup> Spherical O.D. outer ring width is .827", 21mm



# YA-RR, YA-RRB Standard Series Non-Relubricatable Types

The YA-RR and YA-RRB Series bearings are extended inner ring type with specially designed setscrews with unique thread form that locks bearing to shaft and are resistant to loosening during operation. A positive contact, land riding R-seal provides improved protection against harmful contaminants and effectively retains the lubricant under severe operating conditions. A 6/6 molded nylon retainer has proven extremely effective under conditions of misalignment.

The YA-RR Series has cylindrical outside diameters. The YA-RRB Series has spherical outside diameters for use in housings with corresponding spherical inside surfaces to provide unrestricted initial self-alignment.



Recommended shaft tolerances: 1/2"-1 15/16", nominal to **-.0005"**, **-.013mm**;  
2"-2 15/16", nominal to **-.0010"**, **-.025mm**.

Cylindrical O.D.	Spherical O.D.	Basic Outer Ring Size	Bore <sup>(1)</sup> d		O.D. D	Ring Widths		S	F	J	Set Screw Size	Brg. Wt.	Static Load Rating C <sub>0</sub>	Extended Dynamic Load Rating C <sub>E</sub>	
			in.	mm		in.	mm								B Inner
YA008RR	YA008RRB	203	1/2	12.7	1.5748	0.938	0.512 <sup>(2)</sup>	0.313	31/64	0.187	10-32	0.19	1000	2360	
YA010RR	YA010RRB		5/8	15.875	40	23.8	13	7.95	24.6	4.75	M5X.8	0.09	4400	10600	
YAE17RR	YAE17RRB		17												
YA012RR	YA012RRB	204	3/4	19.05	1.8504	1.063	0.591 <sup>(3)</sup>	0.349	1 1/64	0.237	1/4-28	0.3	1400	3200	
YAE20RR	YAE20RRB		20	47	27	15	8.86	29	6.02	M6X1	0.14	6200	14300		
YA014RR	YA014RRB	205	7/8	22.225	2.0472	1.109	0.591	0.348	1 1/64	0.250	1/4-28	0.38	1560	3450	
YA015RR	YA015RRB		1 1/16	25.4	52	28.2	15	8.84	33.7	6.35	M6X1	0.17	6950	15600	
YA100RR	YA100RRB		1	25.4	25										
YAE25RR	YAE25RRB		25												
YA102RR	YA102RRB	206	1 1/8	28.575	2.4409	1.281	0.709	0.38	1 3/64	0.310	5/16-24 <sup>(4)</sup>	0.58	2280	4800	
YA103RR	YA103RRB		1 1/16	30.175	62	32.5	18	9.65	40.1	7.87	M8X1.25	0.26	10000	21600	
YA103RR2	YA103RRB2		1 1/4	31.75	30										
YAE30RR	YAE30RRB		30												
YA104RR	YA104RRB	207	1 1/4	31.75	2.8346	1.444	0.748	0.427	1 7/32	0.310	5/16-24	0.93	3050	6400	
YA106RR	YA106RRB		1 3/8	34.9375	72	36.5	19	10.85	46.8	7.87	M8X1.25	0.42	13700	28500	
YA107RR	YA107RRB		1 7/16	37.46875	35										
YAE35RR	YAE35RRB		35												
YA108RR	YA108RRB	208	1 1/2	38.1	3.1496	1.538	0.8661 <sup>(5)</sup>	0.458	2 1/16	0.310	5/16-24	1.24	4000	8150	
YAE40RR	YAE40RRB		40	80	39.3	22	11.63	52.4	7.87	M8X1.25	0.56	17600	36000		
YA110RR	YA110RRB	209	1 5/8	39.6875	3.3465	1.655	0.8861	0.53	2 3/32	0.310	5/16-24	1.18	4000	8150	
YA111RR	YA111RRB		1 11/16	42.1875	85	42	22	13.46	57.9	7.87	M8X1.25	0.54	17600	36000	
YA112RR	YA112RRB		1 3/4	44.45	45										
YAE45RR	YAE45RRB		45												
YA115RR	YA115RRB	210	1 15/16	44.78125	3.5433	1.746	0.8661	0.53	2 15/32	0.355	3/8-24	1.25	4500	8800	
YA115RR2	YA115RRB2		2	50.8	90	44.3	22	13.46	62.7	9.02	M10X1.5	0.57	19600	39000	
YAE50RR	YAE50RRB		50												
YA200RR	YA200RRB	211	2	50.8	3.9370	1.833	0.9449	0.575	2 3/4	0.355	3/8-24	1.27	5600	10800	
YA203RR	YA203RRB		2 3/16	52.075	100	46.6	24	14.6	69.8	9.02	M10X1.5	0.58	25000	48000	
YAE55RR	YAE55RRB		55												

<sup>(1)</sup> Bore tolerance is nominal to **+0.0005", .013mm**

<sup>(2)</sup> Spherical O.D. outer ring width is **.4724", 12mm**

<sup>(3)</sup> Spherical O.D. outer ring width is **.5512", 14mm**

<sup>(4)</sup> YA103RR2 and YA103RRB2 use 1/4-28 setscrew.

<sup>(5)</sup> Spherical O.D. outer ring width is **.8268", 21mm**

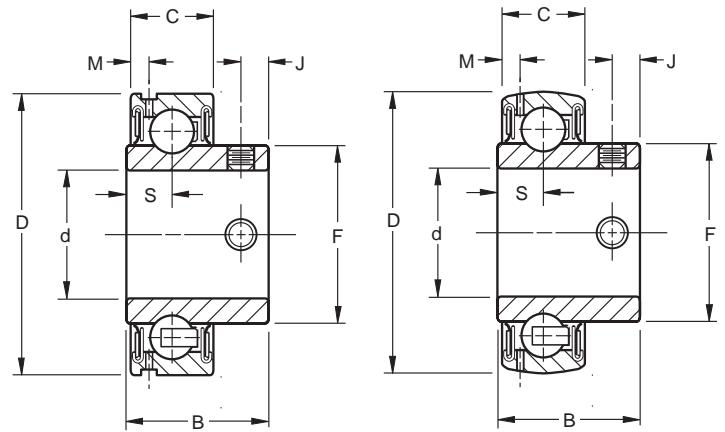


# GYA-RR, GYA-RRB Standard Series Relubricatable Types

GYA-RR series bearings are dimensionally interchangeable with the YA-RR series and can be used in standard cylindrical housings.

The GYA-RR series have cylindrical outside diameters. The GYA-RRB have spherical outside diameters for use in housings with corresponding spherical inside surface to provide unrestricted initial alignment.

Recommended shaft tolerances: 1/2"-1 15/16", nominal to **-0.0005"**, **-0.013mm**;  
2"-2 15/16", nominal to **-0.0010"**, **-0.025mm**.



GYA-RR Cylindrical O.D.

GYA-RRB Spherical O.D.

Bearing Number		Basic Outer Ring Size	Bore <sup>(1)</sup> d		O.D. D	Ring Widths		S	F	M	J	Set Screw Size	Brg. Wt.	Static Load Rating C <sub>0</sub>	Extended Dynamic Load Rating C <sub>E</sub>
Cylindrical O.D.	Spherical O.D.		in.	mm		in.	mm								
GYA008RR GYA010RR GYAE17RR	GYA008RRB GYA010RRB GYAE17RRB	203	1/2 3/8	12.7 17	1.5748 40	0.938 23.8	0.472 12	0.313 7.95	31/32 24.6	0.107 2.72	0.187 4.75	10-32 M5X.8	0.19 0.09	1000 4400	2360 10600
GYA012RR GYAE20RR	GYA012RRB GYAE20RRB	204	3/4	20	1.8504 47	1.063 27	0.551 14	0.349 8.86	1 1/64 29	0.12 3.05	0.237 6.02	1/4-28 M6X1	0.3 0.14	1400 6200	3200 14300
GYA014RR GYA015RR GYA100RR GYAE25RR	GYA014RRB GYA015RRB GYA100RRB GYAE25RRB	205	7/8 1 1/16	25	2.0472 52	1.109 28.2	0.591 15	0.348 8.84	1 21/64 33.7	0.142 3.61	0.250 6.35	1/4-28 M6X1	0.38 0.17	1560 6950	3450 15600
GYA102RR GYA103RR GYA103RR2 GYAE30RR	GYA102RRB GYA103RRB GYA103RRB2 GYAE30RRB	206	1 1/8 1 3/16 1 1/4	30	2.4409 62	1.281 32.5	0.709 18	0.38 9.65	1 37/64 40.1	0.164 4.17	0.310 7.87	5/16-24 <sup>(2)</sup> M8X1.25	0.58 0.26	2280 10000	4800 21600
GYA104RR GYA106RR GYA107RR GYAE35RR	GYA104RRB GYA106RRB GYA107RRB GYAE35RRB	207	1 1/4 1 3/8 1 7/16	35	2.8346 72	1.444 36.5	0.748 19	0.427 10.85	1 27/32 46.8	0.145 3.68	0.310 7.87	5/16-24 M8X1.25	0.93 0.42	3050 13700	6400 28500
GYA108RR GYAE40RR	GYA108RRB GYAE40RRB	208	1 1/2	40	3.1496 80	1.538 39.3	0.8661 22	0.458 11.63	2 1/16 52.4	0.164 4.17	0.310 7.87	5/16-24 M8X1.25	1.24 0.56	4000 17600	8150 36000
GYA110RR GYA111RR GYA112RR GYAE45RR	GYA110RRB GYA111RRB GYA112RRB GYAE45RRB	209	1 5/8 1 11/16 1 3/4	45	3.3465 85	1.655 42	0.8661 22	0.53 13.46	2 7/32 57.9	0.179 4.54	0.310 7.87	5/16-24 M8X1.25	1.18 0.54	4000 17600	8150 36000
GYA115RR GYA115RR2 GYAE50RR	GYA115RRB GYA115RRB2 GYAE50RRB	210	1 15/16 2	50	3.5433 90	1.746 44.3	0.8661 22	0.53 13.46	2 13/32 62.7	0.175 4.44	0.355 9.02	3/8-24 M10X1.5	1.25 0.57	4500 19600	8800 39000
GYA200RR GYA203RR GYAE55RR	GYA200RRB GYA203RRB GYAE55RRB	211	2 2 3/16	55	3.9370 100	1.833 46.6	0.9449 24	0.575 14.6	2 3/4 69.8	0.193 4.9	0.355 9.02	3/8-24 M10X1.5	1.27 0.58	5600 25000	10800 48000

<sup>(1)</sup> Bore tolerance is nominal to +.0005, .013mm

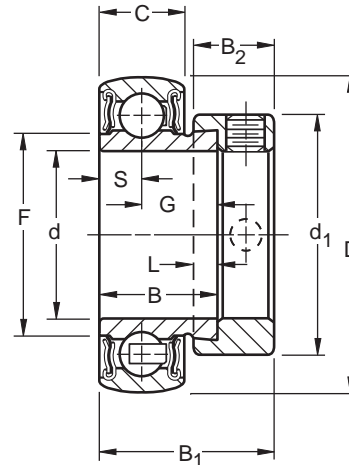
<sup>(2)</sup> GYA103RR2 and GYA103RRB2 use 1/4-28 setscrew.



# RAL-NPPB Standard Series Non-Relubricatable Types

The RAL bearings are high quality, compact and low cost and intended for use in lightly loaded applications. They are of the extended inner ring type with self-locking collar. Prelubricated RAL bearings incorporate the Fafnir Shroud type rubber seal which has proved its effectiveness in the retention of lubricants and exclusion of foreign matter under extreme service conditions.

The RAL-NPPB series have spherical outside diameters for use in housings with corresponding spherical inside surface to provide unrestricted initial self-alignment.



Recommended shaft tolerances: 1/2"-1 1/4", nominal to -.0005", -.013mm.

TO ORDER, SPECIFY BEARING NUMBER FOLLOWED BY "AND COLLAR". EXAMPLE: RAL100NPPB AND COLLAR.

Bearing Number	Collar Number	Basic Outer Ring Size	Bore <sup>(2)</sup> d	O.D. D	Ring Widths		S	G	F	L	d <sub>1</sub>	B <sub>2</sub>	B <sub>1</sub>	Static Load Rating C <sub>0</sub>	Extended Dynamic Load Rating C <sub>E</sub>
					B Inner	C Outer									
			in.	in. mm	in. mm	in. mm	in. mm	in. mm	in. mm	in. mm	in. mm	in. mm	in. mm	lbs N	lbs N
RAL008NPPB <sup>(1)</sup>	LS008K	202	1/2	1.3780	3/8	0.433	0.2116	0.4084	0.790	5/32	1	7/16	15/16	680	1700
RAL009NPPB	LS009K		5/16	35	15.88	11	5.502	10.373	20.07	4	25.4	11.1	23.8	3000	7500
RAL010NPPB <sup>(1)</sup>	LS010K		5/8												
RAL012NPPB <sup>(1)</sup>	LS012K	9104	3/4	1.6535 42	23/32 16.67	0.472 12	0.2362 6	0.4198 10.663	0.990 25.15	1/8 3.2	1 11/64 29.8	7/16 11.1	33/32 24.6	1000 4400	2320 10400
RAL013NPPB	LS013K	9105	13/16	1.8504 47	11/16 17.46	0.472 12	0.2362 6	0.4518 11.476	1.168 29.67	5/32 4	1 27/64 36.1	1/8 11.9	1 25.4	1120 4900	2500 11000
RAL014NPPB	LS014K		7/8												
RAL015NPPB	LS015K		15/16												
RAL100NPPB <sup>(1)</sup>	LS100K		1												
RAL101NPPB	LS101K	9106	1 1/16	2.1654 55	23/32 18.27	0.512 13	0.2559 6.5	0.4628 11.755	1.43 36.32	5/32 4	1 43/64 42.5	15/32 11.9	1 1/32 26.2	1560 6950	3350 14600
RAL102NPPB	LS102K		1 1/8												
RAL103NPPB	LS103K		1 3/16												
RAL103NPPB2 <sup>(1)</sup>	LS103K2		1 1/4												

<sup>(1)</sup> Also available with cylindrical O.D. (Delete suffix "B" )

<sup>(2)</sup> Bore tolerance is nominal to +.0005, .013mm



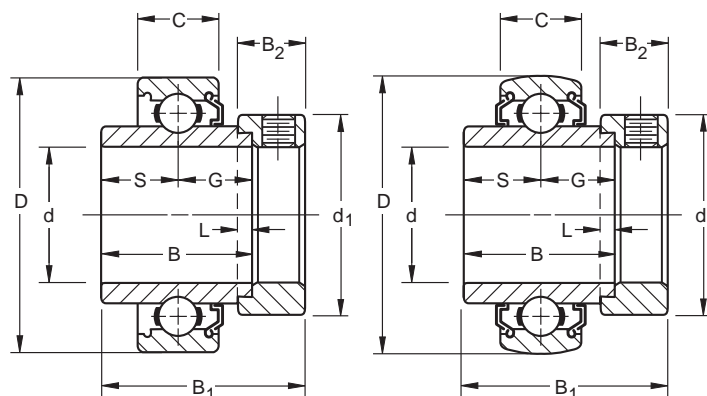
# KL, KLB, KLL, KLLB Special Series Non-Relubricatable Types

These wide inner ring ball bearings have either one or two Mechan-Seals. Types KLB and KLLB have spherical outside diameters which permit self-alignment when mounted in a housing with a corresponding spherical seat.

All four types are prelubricated at the factory and require no further lubrication.

These bearings are generally suitable for higher speed and/or higher temperature applications. Because they incorporate non-contact seals, these bearings have very low rotational torque.

Recommended shaft tolerances: 1/2"-1 1/16", nominal to -.0005", **-.013mm**;  
2"-2 15/16", nominal to -.0010", **-.025mm**.



**KL One Seal  
Cylindrical O.D.**

**KLLB Two Seals  
Spherical O.D.**

TO ORDER, SPECIFY BEARING NUMBER FOLLOWED BY "AND COLLAR". EXAMPLE: 1100KLL AND COLLAR.

Cylindrical O.D.	Cylindrical O.D.	Collar Number	Basic Outer Ring Size	Bore <sup>(4)</sup> d	O.D. D	Ring Widths		S&G	L	d <sub>1</sub>	B <sub>2</sub>	B <sub>1</sub>	Brg. & Collar Wt.		Static Load Rating C <sub>0</sub>	Extended Dynamic Load Rating C <sub>E</sub>
						B Inner	C Outer						lbs	kg		
(Spherical O.D.)				in.	in.	in.	in.	in.	in.	in.	in.	in.	lbs	kg	lbs	lbs
1008KL	1008KLL (KLLB)	S1008K	203	1/2	1.5748	1 1/32	0.4724	35/64	5/32	1 1/8	17/32	1 19/32	0.37	0.168	1000	2360
—	1009KLL	S1009K		7/16	40	27.78	12	13.89	3.97	28.58	13.49	37.31	0.36	0.163	4400	10600
1010KL	1010KLL (KLLB)	S1010K		5/8									0.31	0.141		
1011KL	1011KLL (KLLB)	S1011K		11/16									0.27	0.122		
1012KL	1012KLL (KLLB)	S1012K	204	3/4	1.8504	1 11/32	0.5512	41/64	5/32	1 5/16	17/32	1 27/32	0.46	0.209	1400	3200
—	—	S1013K		13/16	47	34.13	14	17.06	3.97	33.34	13.5	43.7	0.63	0.286	6200	14300
1014KL	1014KLL (KLLB)	S1014K	205	7/8	2.0472	1 3/8	0.5906	11/16	5/32	1 1/2	17/32	1 47/64	0.61	0.277	1560	3450
1015KL	1015KLL (KLLB)	S1015K		15/16	52	34.92	15	17.46	3.97	38.1	13.49	44.45	0.56	0.254	6950	15600
1100KL (KLB)	1100KLL (KLLB)	S1100K		1									0.55	0.25		
1101KL	—	S1101K		1 1/16									0.92	0.417		
1102KL	1102KLL (KLLB)	S1102K	206	1 1/8	2.4409	1 7/16	0.6229	23/32	5/32	1 3/4	5/8	1 29/32	0.91	0.413	2280	4800
1103KL (KLB)	1103KLL (KLLB)	S1103K		1 3/16	62	36.51	16 <sup>(1)</sup>	18.26	3.97	44.1	15.88	48.42	0.82	0.372	10000	21600
1103KL3	1103KLL3 (KLLB3)	S1103K3		1 1/4									0.79	0.358		
1104KL	1104KLL (KLLB)	S1104K		1 1/4									1.43	0.649		
—	1105KLL (KLLB)	S1105K	207	1 3/8	2.8346	1 31/64	0.6693	0.742	5/32	2 1/8	43/64	2 1/64	1.36	0.617	3050	6400
1106KL	1106KLL (KLLB)	S1106K		1 3/8	72	37.70	17 <sup>(2)</sup>	18.85	3.97	54.0	17.46	51.2	1.28	0.581	13700	28500
1107KL (KLB)	1107KLL (KLLB)	S1107		1 7/16									1.2	0.544		
1108KL (KLB)	1108KLL (KLLB)	S1108K	208	1 1/2	3.1496	1 11/16	0.7087	27/32	3/16	2 3/8	27/32	2 7/32	1.81	0.821	4000	8150
—	1109KLL (KLLB)	S1109K		1 5/8	80	42.86	18 <sup>(3)</sup>	21.43	4.76	60.32	18.26	56.36	1.69	0.767	17600	36000
1110KL	1110KLL (KLLB)	S1110K		1 5/8	3.3465	1 11/16	0.7480	27/32	3/16	2 1/2	23/32	2 7/32	2.06	0.934	4000	8150
1111KL	1111KLL (KLLB)	S1111K	209	1 11/16	85	42.86	19	21.43	4.76	60.35	18.26	56.36	1.96	0.89	17600	36000
1112KL (KLB)	1112KLL (KLLB)	S1112K		1 3/4									1.86	0.844		
1114KL	1114KLL (KLLB)	S1114K	210	1 7/8	3.5433	1 15/16	0.7874	31/32	3/16	2 3/4	23/32	2 15/32	2.37	1.075	4500	8800
1115KL (KLB)	1115KLL (KLLB)	S1115K		1 15/16	90	49.21	20	24.61	4.76	69.9	18.26	62.71	2.25	1.021	19600	39000
1200KL (KLB)	1200KLL (KLLB)	S1200K		2	3.9370	2 3/16	0.8268	1 7/32	3/16	3	13/16	2 13/16	3.4	1.54	5630	10800
—	1202KLL (KLLB)	S1202K	211	2 1/8	100	55.56	21	27.98	4.76	76.2	20.64	71.44	3.1	1.406	25000	48000
1203KL	1203KLL (KLLB)	S1203K		2 3/8									2.97	1.347		
1207KL	—	S1207K	212	2 7/16	4.3307	2 7/16	0.8661	1 7/32	1/4	3 5/16	7/8	3 1/16	3.66	1.66	6950	13200
—	1215KLL (KLLB)	S1215K	215	2 15/16	5.1181	2 15/16	0.9843	1 15/32	1/4	4	15/16	3 5/8	5	2.268	31000	58500
				130	74.61	25		37.31	6.35	101.6	23.81	91.08			37500	68000

<sup>(1)</sup> Spherical O.D. outer ring width is .7087", 18mm

<sup>(2)</sup> Spherical O.D. outer ring width is .7480", 19mm

<sup>(3)</sup> Spherical O.D. outer ring width is .8268", 21mm

<sup>(4)</sup> Bore tolerance: 1/2"-2 3/16", nominal to +.0005, .013mm  
2 7/16"-2 15/16", nominal to +.0006, .015mm

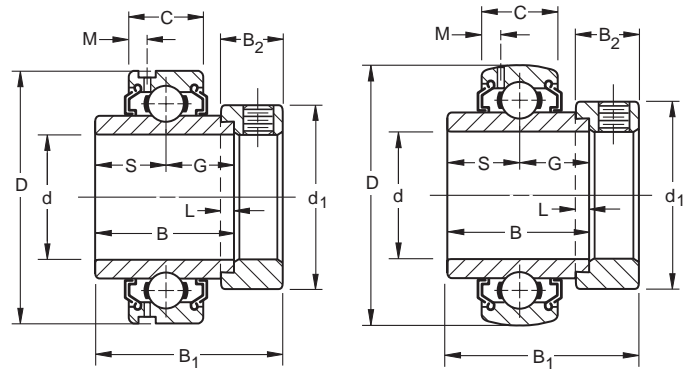


# G-KLL, G-KLLB Special Series Relubricatable Types

These wide inner ring ball bearings have two Mechani-Seals and in addition, have provision for relubrication. Type G-KLL has a cylindrical outside diameter; type G-KLLB has spherical outside diameter.

These bearings are generally suitable for higher speed and/or higher temperature applications. Because they incorporate non-contact seals, these bearings have very low rotational torque. Consult Torrington-Fafnir for recommendations.

Recommended shaft tolerances:  $\frac{1}{2}''-1\frac{1}{16}''$ , nominal to  $-.0005''$ ,  $-.013\text{mm}$ ;  
 $2''-2\frac{15}{16}''$ , nominal to  $-.0010''$ ,  $-.025\text{mm}$ .



G-KLL Two Seals  
Cylindrical O.D.

G-KLLB Two Seals  
Spherical O.D.

TO ORDER, SPECIFY BEARING NUMBER FOLLOWED BY "AND COLLAR". EXAMPLE: G1015KLL AND COLLAR.

Cylindrical O.D.	Spherical O.D.	Bearing Number	Collar Number	Basic Outer Ring Size	Bore <sup>(1)</sup> d	O.D. D		Ring Widths		S&G	L	d <sub>1</sub>	B <sub>2</sub>	M	B <sub>1</sub>	Brg. & Collar Wt.		Static Load Rating C <sub>0</sub>	Extended Dynamic Load Rating C <sub>E</sub>														
						in.	mm	B Inner	C Outer							lbs	kg			lbs	N												
—	G1008KLLB	S1008K	203	203	1/2	1.5748	1 3/32	0.4724	39/64	5/32	1 1/8	17/32	0.107	1 15/32	0.33	0.150	1000	2360															
—	G1009KLLB	S1009K			5/16														40	27.78	12	13.9	4.0	28.6	13.5	2.72	37.3	0.31	0.141	4400	10600		
G1010KLL	G1010KLLB	S1010K			3/8														47	34.13	14	17.1	4.0	33.3	13.5	3.43	43.7	0.26	0.118	1400	3200		
G1011KLL	G1011KLLB	S1011K			11/16																											62	36.51
G1012KLL	G1012KLLB	S1012K	204	204	3/4	1.8504	1 11/32	0.5512	49/64	5/32	1 1/16	17/32	0.135	1 23/32	0.44	0.2	1400	3200															
—	G1013KLLB	S1013K	205	205	13/16	2.0472	1 3/8	0.5906	11/16	5/32	1 1/2	17/32	0.152	1 3/4	0.63	0.286	1560	3450															
G1014KLL	G1014KLLB	S1014K			7/8														52	34.92	15	17.5	4.0	38.1	13.5	3.86	44.45	0.54	0.245	6950	15600		
G1015KLL	G1015KLLB	S1015K			15/16														72	37.70	19	18.85	4.0	54.0	17.46	3.43	51.2	1.3	0.59	13700	28500		
G1100KLL	G1100KLLB	S1100K			1																											80	42.86
G1101KLL	—	S1101K	206	206	1 1/16	2.4409	1 7/16	.7087	23/32	5/32	1 3/4	5/8	0.156	1 29/32	0.93	0.422	2280	4800															
G1102KLL	G1102KLLB	S1102K	207	207	1 1/8	2.8346	1 23/64	.7480	27/32	3/16	2 3/8	23/32	0.16	2 7/32	1.82	0.826	4000	8150															
G1103KLL	G1103KLLB	S1103K			1 3/16														62	36.51	18	18.3	4.0	44.4	15.9	3.96	48.4	0.87	0.395	10000	21600		
—	G1103KLLB3	S1103K3			1 1/4														72	37.70	19	18.85	4.0	54.0	17.46	3.43	51.2	1.3	0.59	13700	28500		
G1104KLL	G1104KLLB	S1104K			1 1/4																											80	42.86
—	G1105KLLB	S1105K	207	207	1 5/16	2.8346	1 23/64	.7480	27/32	3/16	2 3/8	23/32	0.16	2 7/32	1.82	0.826	4000	8150															
G1106KLL	G1106KLLB	S1106K	208	208	1 3/8	3.3465	1 11/16	.8661	21/32	3/16	2 1/2	23/32	0.179	2 7/32	2.09	0.949	4000	8150															
G1107KLL	G1107KLLB	S1107K			1 7/16														80	42.86	21	21.4	4.8	60.3	18.3	4.06	56.4	1.73	0.785	17600	36000		
G1108KLL	G1108KLLB	S1108KT			208														208	1 1/2	3.1496	1 11/16	.8268	27/32	3/16	2 3/8	23/32	0.16	2 7/32	1.82	0.826	4000	8150
G1109KLL	G1109KLLB	S1109KT			1 9/16														80	42.86	21	21.4	4.8	60.3	18.3	4.06	56.4	1.73	0.785	17600	36000		
G1110KLL	G1110KLLB	S1110K	209	209	1 5/8	3.3465	1 11/16	.8661	21/32	3/16	2 1/2	23/32	0.179	2 7/32	2.09	0.949	4000	8150															
G1111KLL	G1111KLLB	S1111K			1 11/16														85	42.86	22	21.4	4.8	63.5	18.3	4.55	56.4	1.98	0.899	17600	36000		
G1112KLL	G1112KLLB	S1112K			1 3/4														90	49.21	23	24.6	4.8	69.9	18.3	4.7	62.7	2.4	1.09	19600	39000		
—	G1113KLLB	S1113K			1 13/16																											85	42.86
G1114KLL	G1114KLLB	S1114K	210	210	1 7/8	3.5433	1 15/16	.9055	31/32	3/16	2 3/4	23/32	0.185	2 15/32	2.53	1.148	4500	8800															
G1115KLL	G1115KLLB	S1115K			1 15/16														90	49.21	23	24.6	4.8	69.9	18.3	4.7	62.7	2.4	1.09	19600	39000		
G1200KLL	G1200KLLB	S1200K			211														211	2	3.9370	2 3/16	.9450	27/32	3/16	3	13/16	0.197	2 13/16	3.33	1.512	5600	10800
—	G1201KLLB	S1201K			2 1/16														100	55.56	24	27.8	4.8	76.2	20.6	5	71.4	3.12	1.416	25000	48000		
—	G1202KLLB	S1202K	212	212	2 1/8	4.3307	2 7/16	1.0630	1 7/32	1/4	3 5/16	7/8	0.202	3 1/16	4.47	2.03	6950	13200															
G1203KLL	G1203KLLB	S1203K			2 3/16														100	55.56	24	27.8	4.8	76.2	20.6	5	71.4	3.12	1.416	25000	48000		
G1204KLL	G1204KLLB	S1204K			2 1/4														110	61.91	27	31	6.4	84.1	22.2	5.13	77.8	4.08	1.852	31000	58500		
—	G1205KLLB	S1205K			2 5/16																											110	61.91
—	G1206KLLB	S1206K	2 3/8	130	74.61	25	37.3	6.4	101.6	23.8	5.56	91.2	6.25	2.837	8500	15300																	
—	G1207KLLB	S1207K	2 7/16														130	74.61	25	37.3	6.4	101.6	23.8	5.56	91.2	6.25	2.837	8500	15300				
—	G1215KLLB	S1215K	215	215	2 15/16	5.1181	2 15/16	0.9843	1 15/32	1/4	4	15/16	0.219	3 5/8	6.25	2.837	8500	15300															

<sup>(1)</sup> Bore tolerance:  $\frac{1}{2}''-2\frac{3}{16}''$ , nominal to  $+0.0005$ ,  $.013\text{mm}$   
 $2\frac{1}{4}''-2\frac{15}{16}''$ , nominal to  $+0.0006$ ,  $.015\text{mm}$

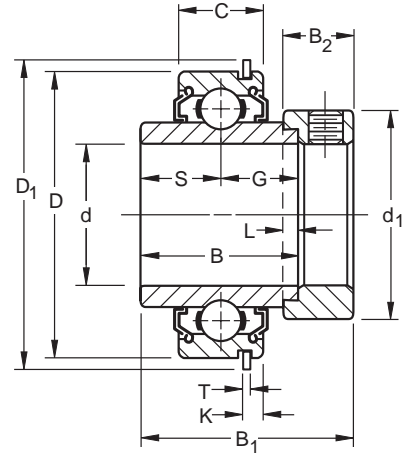




# KLLG Special Series with Wireloc

The KLLG wide inner ring bearing is exactly the same as the KLL type except for a snap ring or wireloc in the outer ring. A wireloc mounting provides a convenient method of positively locating the bearing axially.

Recommended shaft tolerances: 1/2"-1 1/16", nominal to **-.0005"**, **-.013mm**;  
2"-2 7/16", nominal to **-.0010"**, **-.025mm**.



Bearing Number	Collar Number	Basic Outer Ring Size	Bore <sup>(1)</sup> d	O.D. D	Ring Widths		S&G	L	d <sub>1</sub>	B <sub>2</sub>	B <sub>1</sub>	Snap Wire Dimensions			Brg. & Collar Wt.		Static Load Rating C <sub>0</sub>	Extended Dynamic Load Rating C <sub>E</sub>			
					B Inner	C Outer						D <sub>1</sub>	T	K	lbs	kg			lbs	N	lbs
1008KLLG	S1008K	203	1/2	1.5748	1 3/32	0.4724	35/64	3/32	1 1/8	1 1/32	1 19/32	1 3/4	0.042	0.12	0.38	0.173	1000	2360			
1009KLLG	S1009K		5/16		40	27.78	12	13.9	4.0	28.6	13.5	37.3	44.45	1.07	3.05	0.34			0.154	4400	10600
1010KLLG	S1010K		3/8													0.31			0.141		
1011KLLG	S1011K		11/16											0.29	0.132						
1012KLLG	S1012K	204	3/4	1.8504	1 11/32	0.5512	43/64	3/32	1 1/8	1 1/32	1 23/32	2 1/8	0.042	0.136	0.45	0.204	1400	3200			
			47		34.13	14	17.1	4.0	33.3	13.5	43.7	52.39	1.07	3.45	0.6200	14300					
1013KLLG	S1013K	205	13/16	2.0472	1 3/8	0.5906	11/16	3/32	1 1/2	1 1/32	1 41/64	2 11/64	0.042	0.136	0.6	0.272	1560	3450			
1014KLLG	S1014K		7/8		52	34.92	15	17.5	4.0	38.1	13.5	44.1	57.55	1.07	3.45	0.58			0.263	6950	15600
1015KLLG	S1015K		15/16													0.54			0.245		
1100KLLG	S1100K		1											0.5	0.227						
1101KLLG	S1101K	206	1 1/16	2.4409	1 7/16	0.6229	23/32	3/32	1 3/4	5/8	1 29/32	2 23/32	0.065	0.190	0.94	0.427	2280	4800			
1102KLLG	S1102K		1 1/8		62	36.51	16	18.3	4.0	44.4	15.9	48.4	67.47	1.65	4.83	0.85			0.386	10000	21600
1103KLLG	S1103K		1 3/16													0.85			0.386		
1104KLLG	S1104K	207	1 1/4	2.8346	1 31/64	0.6693	0.742	5/32	2 1/8	43/64	2 1/64	3 5/64	0.065	0.190	1.42	0.645	3050	6400			
1105KLLG	S1105K		1 1/8		72	37.70	17	18.85	4.0	54.0	17.1	51.2	78.18	1.65	4.83	1.33			0.604	13700	28500
1106KLLG	S1106K		1 3/8													1.27			0.577		
1107KLLG	S1107K		1 7/16											1.19	0.54						
1108KLLG	S1108KT	208	1 1/2	3.1496	1 11/16	0.7087	27/32	3/8	2 3/8	23/32	2 7/32	3 13/32	0.065	0.190	1.82	0.826	4000	8150			
1109KLLG	S1109KT		1 9/16		80	42.86	18	21.4	4.8	60.3	18.3	56.4	86.52	1.65	4.83	1.73			0.785	17600	36000
1110KLLG	S1110K	209	1 5/8	3.3465	1 11/16	0.7480	27/32	3/8	2 1/2	23/32	2 7/32	3 19/32	0.065	0.190	2.03	0.922	4000	8150			
1111KLLG	S1111K		1 11/16		85	42.86	19	21.4	4.8	63.5	18.3	56.4	91.28	1.65	4.83	1.94			0.881	17600	36000
1112KLLG	S1112K		1 3/4													1.86			0.844		
1113KLLG	S1113K	210	1 13/16	3.5433	1 9/16	0.7874	31/32	3/8	2 3/4	23/32	2 19/32	3 31/64	0.095	0.22	2.28	1.035	4500	8800			
1114KLLG	S1114K		1 7/8		90	49.21	20	24.6	4.8	69.9	18.3	62.7	96.44	2.41	5.59	2.21			1.003	19600	39000
1115KLLG	S1115K		1 15/16													2.14			0.971		
1200KLLG	S1200K	211	2	3.9370	2 3/16	0.8268	1 3/32	3/8	3	13/16	2 13/16	4 3/16	0.095	0.22	3.25	1.475	5600	10800			
1201KLLG	S1201K		2 1/8		100	55.56	21	27.8	4.8	76.2	20.6	71.4	106.36	2.41	5.59	3.18			1.444	25000	48000
1202KLLG	S1202K		2 1/4													3.08			1.38		
1203KLLG	S1203K		2 3/8													2.98			1.353		
1204KLLG	S1204K	212	2 1/4	4.3307	2 1/8	0.8661	1 7/32	1/2	3 3/16	7/8	3 1/8	4 37/64	0.095	0.22	3.95	1.793	6950	13200			
1205KLLG	S1205K		2 3/8		110	61.91	22	30.96	6.4	84.1	22.2	77.8	116.28	2.41	5.59	3.84			1.743	31000	58500
1206KLLG	S1206K		2 7/8													3.77			1.711		
1207KLLG	S1207K		2 15/16													3.71			1.684		

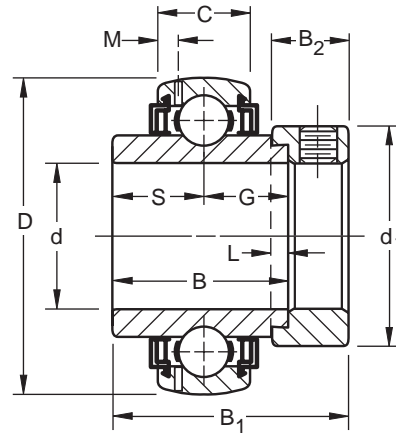
<sup>(1)</sup> Bore tolerance: 1/2"-2 3/16", nominal to **+0.0005**, **.013mm**  
2 1/4"-2 7/16", nominal to **+0.0006**, **.015mm**



# GN-KLLB Heavy Series/ Special Duty

The heavy GN-KLLB series ball bearings are similar in design to the standard LL (Mechani-Seal) wide inner ring bearings but have heavier section 300 series bearings. Unlike the standard series, however, the seal in the heavy series is of three-piece construction and has two fixed inner members plus an external rotation slinger.

Recommended shaft tolerances:  $\frac{1}{8}$ "-1  $\frac{15}{16}$ ", nominal to **-.0005"**, **-.013mm**;  
2"-2  $\frac{15}{16}$ ", nominal to **-.0010"**, **-.025mm**.



Bearing Number	Collar Number	Basic Outer Ring Size	Bore <sup>(1)</sup>		Ring Widths			S	G	L	d <sub>1</sub>	B <sub>2</sub>	M	B <sub>1</sub>	Brg. & Collar Wt.		Static Load Rating C <sub>0</sub>	Extended Dynamic Load Rating C <sub>E</sub>
			in.	mm	B Inner	C N-KLL	Outer GN-KLLB								lbs	kg		
GN102KLLB	SN102K	306	1 $\frac{1}{8}$	2.8346	1 $\frac{7}{16}$	0.7480	0.7874	$\frac{11}{16}$	$\frac{3}{4}$	$\frac{5}{16}$	1 $\frac{15}{16}$	$\frac{11}{16}$	0.142	1 $\frac{31}{32}$	1.22	0.554	3550	7500
GN103KLLB	SN103K	306	1 $\frac{3}{16}$	72	36.51	19	20	17.46	19.05	3.9	49.21	17.46	3.61	1.97	1.33	0.604	15600	33500
GN104KLLB	SN104K	307	1 $\frac{1}{4}$	3.1496	1 $\frac{1}{2}$	0.8268	0.8661	$\frac{23}{32}$	$\frac{25}{32}$	$\frac{5}{16}$	2 $\frac{3}{16}$	$\frac{11}{16}$	0.156	2 $\frac{1}{2}$	1.43	0.649	4500	9150
GN106KLLB	SN106K	307	1 $\frac{3}{8}$	80	38.10	21	22	18.3	19.84	3.9	55.6	17.46	3.96	51.59	1.54	0.699	20000	40500
GN107KLLB	SN107K	308	1 $\frac{7}{16}$	90	41.28	23	25	19.84	21.43	4.8	63.5	20.64	4.62	57.15	1.61	0.731	24500	49000
GN108KLLB	SN108K	308	1 $\frac{1}{2}$	3.5433	1 $\frac{5}{8}$	0.9055	0.9843	$\frac{25}{32}$	$\frac{27}{32}$	$\frac{3}{8}$	2 $\frac{1}{2}$	$\frac{13}{16}$	0.182	2 $\frac{1}{4}$	2.54	1.153	5600	11000
GN111KLLB	SN111K	309	1 $\frac{11}{16}$	3.9370	1 $\frac{11}{16}$	0.9843	1.063	$\frac{25}{32}$	$\frac{27}{32}$	$\frac{3}{8}$	2 $\frac{3}{4}$	$\frac{13}{16}$	0.189	2 $\frac{5}{8}$	3.21	1.457	6700	13200
GN112KLLB	SN112K	309	1 $\frac{3}{4}$	100	42.86	25	27	19.84	23.02	4.8	69.85	20.64	4.8	58.74	3.65	1.657	30000	58500
GN115KLLB	SN115K	310	1 $\frac{15}{16}$	4.3307	1 $\frac{31}{32}$	1.063	1.1417	$\frac{31}{32}$	$\frac{31}{32}$	$\frac{3}{8}$	3	$\frac{7}{8}$	0.203	2 $\frac{5}{8}$	4.2	1.907	8000	15300
GN203KLLB	SN203K	311	2 $\frac{3}{16}$	4.7244	2 $\frac{3}{8}$	1.1417	1.2205	1 $\frac{1}{2}$	1 $\frac{5}{16}$	$\frac{3}{8}$	3 $\frac{1}{4}$	$\frac{7}{8}$	0.216	2 $\frac{7}{8}$	5.22	2.37	9500	18000
GN207KLLB	SN207K	312	2 $\frac{7}{16}$	5.1181	2 $\frac{7}{8}$	1.2205	1.2992	1 $\frac{7}{16}$	1 $\frac{1}{2}$	$\frac{1}{4}$	3 $\frac{1}{2}$	$\frac{15}{16}$	0.23	3 $\frac{1}{8}$	6.26	2.841	10800	20400
GN211KLLB	SO211K	314	2 $\frac{11}{16}$	5.9055	2 $\frac{11}{16}$	1.378	1.4567	1 $\frac{11}{16}$	1 $\frac{11}{16}$	$\frac{1}{4}$	4	1 $\frac{1}{8}$	0.265	3 $\frac{1}{2}$	9.94	4.512	14300	26000
GN215KLLB	SN215K	315	2 $\frac{15}{16}$	6.2992	2 $\frac{15}{16}$	—	1.5354	1 $\frac{15}{16}$	1 $\frac{15}{16}$	$\frac{1}{4}$	4 $\frac{1}{8}$	1 $\frac{1}{4}$	0.255	3 $\frac{15}{16}$	12.42	5.638	16000	28500
				160	74.61	—	39	37.3	37.3	6.4	112.71	31.75	6.48	100.01			71000	125000

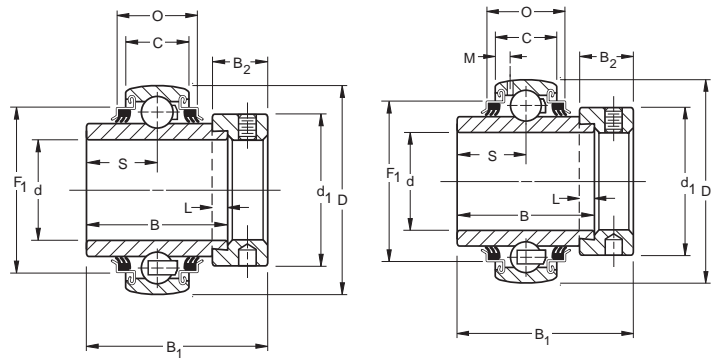
<sup>(1)</sup> Bore tolerance :  $\frac{1}{8}$ "-2  $\frac{3}{16}$ ", nominal to +.0005, .013mm  
2  $\frac{7}{16}$ "-2  $\frac{15}{16}$ ", nominal to +.0006, .015mm



# Tri-Ply Seal Industrial Series Non-Relubricatable and Relubricatable Types

The non-relubricatable Tri-Ply Seal bearings are dimensionally interchangeable with KRRB bearings and can be used with standard housings. The one piece Tri-Ply seals incorporate a highly effective seal design molded to an exterior shroud cap. The shroud cap protects the seal lip from fiber wrap and abrasion. These bearings, supplied with a self-locking collar, are most effective in environments of severe contamination and moisture.

The relubricatable Tri-Ply Seal bearings are dimensionally interchangeable with G-KRRB bearings and can be used with standard housings.



Recommended shaft tolerances: a. heavy loads nominal to **-.001"**, **-.025mm**;  
b. light loads- nominal to **-.002"**, **-.050mm**.

TO ORDER, SPECIFY BEARING NUMBER FOLLOWED BY "AND COLLAR". EXAMPLE: G1115KPPB3 AND COLLAR.

Bearing Number	Basic Outer Ring Size	Bore <sup>(1)</sup> d		O.D. D	Ring Widths		L	d <sub>1</sub>	B <sub>2</sub>	S	B <sub>1</sub>	M <sup>(2)</sup>	F <sub>1</sub>	O	Brg. & Collar Wt.		Static Load Rating C <sub>0</sub>	Extended Dynamic Load Rating C <sub>E</sub>														
		in.	mm		in.	mm									in.	mm			lbs	kg	lbs	lbs										
Relubricatable Type	Non-Relubricatable Type																															
G1013KPPB3	1013KPPB3	205	1 <sup>13</sup> / <sub>16</sub>	2.0472	1 <sup>3</sup> / <sub>8</sub>	0.591	5/32	1 <sup>1</sup> / <sub>2</sub>	1 <sup>1</sup> / <sub>2</sub>	1 <sup>1</sup> / <sub>8</sub>	1 <sup>1</sup> / <sub>4</sub>	0.142	1.779	0.656	0.60	0.272	1560	3450														
G1014KPPB3	1014KPPB3		7/8													34.92			15	3.9	38.1	13.5	17.5	44.4	3.61	45.19	16.66	0.56	0.254	6950		
G1015KPPB3	1015KPPB3		1 <sup>1</sup> / <sub>8</sub>																												0.51	0.231
G1100KPPB3	1100KPPB3		1																												0.51	0.231
GE25KPPB3	E25KPPB3		25																												0.51	0.231
G1101KPPB3	1101KPPB3	206	1 <sup>1</sup> / <sub>8</sub>	2.4409	1 <sup>7</sup> / <sub>16</sub>	0.709	5/32	1 <sup>3</sup> / <sub>4</sub>	5/8	2 <sup>1</sup> / <sub>2</sub>	1 <sup>2</sup> / <sub>2</sub>	0.156	2.068	0.849	0.89	0.413	2280	4800														
G1102KPPB3	1102KPPB3		1 <sup>1</sup> / <sub>8</sub>													62			36.51	18	3.9	44.4	15.9	18.3	48.4	4.19	52.53	21.56	0.83	0.376	10000	
G1103KPPB3	1103KPPB3		1 <sup>3</sup> / <sub>16</sub>																												0.77	0.349
G1103KPPB4	1103KPPB4		1 <sup>1</sup> / <sub>4</sub>																												0.83	0.376
GE30KPPB3	E30KPPB3		30																												0.83	0.376
G1104KPPB2	1104KPPB2	207	1 <sup>1</sup> / <sub>4</sub>	2.8346	1 <sup>3</sup> / <sub>8</sub>	0.748	5/32	2 <sup>1</sup> / <sub>8</sub>	4 <sup>3</sup> / <sub>8</sub>	0.742	2 <sup>1</sup> / <sub>8</sub>	0.145	2.376	1.00	1.33	0.653	3050	6400														
G1105KPPB2	1105KPPB2		1 <sup>5</sup> / <sub>16</sub>													72			37.70	19	3.9	54.0	17.1	18.85	51.2	3.68	60.35	25.40	1.26	0.572	13700	
G1106KPPB2	1106KPPB2		1 <sup>3</sup> / <sub>8</sub>																												1.20	0.544
G1107KPPB2	1107KPPB2		1 <sup>7</sup> / <sub>16</sub>																												1.26	0.572
GE35KPPB2	E35KPPB2		35																												1.26	0.572
G1108KPPB3	1108KPPB3	208	1 <sup>1</sup> / <sub>2</sub>	3.1496	1 <sup>1</sup> / <sub>16</sub>	0.827	3/16	2 <sup>3</sup> / <sub>8</sub>	2 <sup>1</sup> / <sub>2</sub>	2 <sup>1</sup> / <sub>2</sub>	2 <sup>1</sup> / <sub>2</sub>	0.223	2.669	0.923	1.74	0.789	4000	8150														
G1109KPPB3	1109KPPB3		1 <sup>5</sup> / <sub>16</sub>													80			42.86	21	4.8	60.3	18.3	21.4	56.4	5.66	67.79	23.44	1.63	0.739	17600	
GE40KPPB3	E40KPPB3		40																												1.63	0.739
G1110KPPB4	1110KPPB4		1 <sup>5</sup> / <sub>8</sub>																												1.98	0.898
G1111KPPB4	1111KPPB4		1 <sup>1</sup> / <sub>2</sub>													3.3465			1 <sup>1</sup> / <sub>16</sub>	0.866	3/16	2 <sup>1</sup> / <sub>2</sub>	2 <sup>1</sup> / <sub>2</sub>	2 <sup>1</sup> / <sub>2</sub>	2 <sup>1</sup> / <sub>2</sub>	0.179	2.852	1.082	1.87	0.848	4000	8150
G1112KPPB4	1112KPPB4	1 <sup>3</sup> / <sub>4</sub>	85	42.86	22	4.8	63.5	18.3	21.4	56.4	4.55	72.44	27.48	1.82	0.826	17600	36000															
GE45KPPB4	E45KPPB4	45														1.82	0.826															
G1113KPPB3	1113KPPB3	210	1 <sup>1</sup> / <sub>2</sub>	3.5433	1 <sup>1</sup> / <sub>16</sub>	0.906	3/16	2 <sup>3</sup> / <sub>4</sub>	2 <sup>1</sup> / <sub>2</sub>	3 <sup>1</sup> / <sub>2</sub>	2 <sup>1</sup> / <sub>2</sub>	0.185	3.059	1.083	2.28	1.116	4500	8800														
G1114KPPB3	1114KPPB3		1 <sup>7</sup> / <sub>8</sub>													90			49.21	23	4.8	69.9	18.3	24.6	62.7	4.7	77.7	27.51	2.24	1.016	19600	
G1115KPPB3	1115KPPB3		1 <sup>1</sup> / <sub>2</sub>																												2.24	1.016
GE50KPPB3	E50KPPB3		50																												2.24	1.016
G1200KPPB4	1200KPPB4		2																												3.49	1.583
G1201KPPB4	1201KPPB4	211	2 <sup>1</sup> / <sub>16</sub>	3.9370	2 <sup>3</sup> / <sub>16</sub>	0.945	3/16	3	1 <sup>1</sup> / <sub>8</sub>	1 <sup>1</sup> / <sub>2</sub>	2 <sup>1</sup> / <sub>16</sub>	0.213	3.432	1.142	3.24	1.47	5600	10800														
G1202KPPB4	1202KPPB4		2 <sup>1</sup> / <sub>8</sub>													100			55.56	24	4.8	76.2	20.6	27.8	71.4	5.41	87.17	29.01	3.10	1.406	25000	
G1203KPPB4	1203KPPB4		2 <sup>3</sup> / <sub>16</sub>																												3.01	1.365
GE55KPPB4	E55KPPB4		55																												3.01	1.365

<sup>(1)</sup> Bore tolerance : 1<sup>3</sup>/<sub>16</sub>"-2<sup>3</sup>/<sub>16</sub>" nominal to +.0005, **.013mm**

<sup>(2)</sup> Applies to Relubricatable type only.

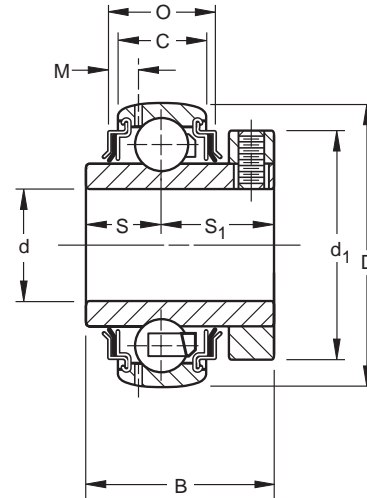
Note: Recommended max speed- 500 rpm.



# GC-KRRB Industrial Series Concentric Collar Relubricatable Type

The GC-KRRB wide inner ring bearings are relubricatable with spherical outside diameters and shroud seals. The metal shroud maintains tight seal contact against the inner ring and shields the rubber seals from damage due to dirt fiber wrap.

The concentric collar is locked to the shaft by two setscrews, located 120° apart, which are mated with threaded holes in the collar and drilled holes in the bearing inner ring. The extra-wide design provides additional shaft support and extra large grease capacity.



Recommended shaft tolerances: 1/2"-1 15/16", nominal to **-0.0005"**, **-0.013mm** ;  
2"-2 5/16", nominal to **-0.0010"**, **-0.025mm**.

TO ORDER, SPECIFY BEARING NUMBER . Example: GC1103KRRB (Concentric collar is assembled with bearing.)

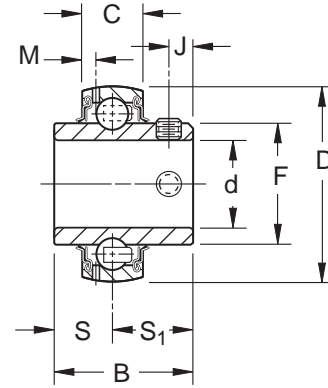
Bearing Number	Basic Outer Ring Size	Bore <sup>(1)</sup> d		O.D. D	Ring Widths		S	S <sub>1</sub>	d <sub>1</sub>	M	O	Setscrew Size	Brg. & Collar Wt.		Static Load Rating C <sub>0</sub>	Extended Dynamic Load Rating C <sub>E</sub>	
		in.	mm		in.	mm							in.	mm			lbs
GC1008KRRB	203	1/2	17	1.5748	1 3/64	0.472	7/16	39/64	1 1/32	0.107	0.579	10-32	0.32	0.154	1000	2360	
GC1010KRRB		5/8		40	26.59	12	11.1	15.5	34.1	2.72	14.71	M5x0.8	0.27	0.122	4400	10600	
GC1011KRRB		11/16		20	1.8504	1 1/32	0.551	31/64	47/64	1 1/2	0.135	0.814	10-32	0.45	0.204	1400	3200
GCE17KRRB		17			47	30.96	14	12.3	18.7	38.1	3.43	20.68	M5x0.8	0.45	0.204	6200	14300
GC1012KRRB	3/4	25	2.0472		1 11/32	0.5905	35/64	51/64	1 3/4	0.142	0.777	1/4-28	0.56	0.254	1560	3450	
GC1014KRRB	7/8		52		34.13	15	13.9	20.2	44.4	3.61	19.74	M6x1	0.51	0.231	6950	15600	
GC1015KRRB	15/16		26	2.4409	1 15/32	0.709	37/64	57/64	2 1/16	0.156	0.965	1/4-28	0.83	0.376	2280	4800	
GC1100KRRB	1			62	37.31	18	14.7	22.6	52.4	4.19	24.51	M6x1	0.77	0.349	10000	21600	
GCE25KRRB	25	27		2.8346	1 5/8	0.7481	5/8	1	2 11/32	0.145	1.018	1/4-28	1.44	0.653	3050	6400	
GC1102KRRB	1 1/8			72	41.28	19	15.9	25.4	59.5	3.68	25.86	M6x1	1.20	0.544	13700	28500	
GC1103KRRB	1 1/4		30	3.1496	1 47/64	0.827	21/32	1 5/64	2 11/16	0.223	1.119	5/16-24	1.74	0.789	4000	8150	
GC1103KRRB3	1 1/4			80	44.05	21	16.7	27.4	68.3	5.66	28.42	M8x1.25	1.63	0.739	17600	36000	
GCE30KRRB	30	35		3.3465	1 27/32	0.866	1 11/16	1 5/32	2 7/8	0.179	1.268	5/16-24	1.98	0.898	4000	8150	
GC1104KRRB	1 1/4			85	46.83	22	17.5	29.4	73	4.55	32.21	M8x1.25	1.82	0.826	17600	36000	
GC1106KRRB	1 3/8		40	3.5433	1 29/32	0.906	23/32	1 3/16	3 1/8	0.185	1.269	5/16-24	2.18	0.990	4500	8800	
GC1107KRRB	1 1/2			90	48.42	23	18.3	30.2	79.4	4.7	32.23	M8x1.25	2.18	0.990	19600	39000	
GCE35KRRB	35	45		3.9370	2 1/8	0.945	13/16	1 5/16	3 1/2	0.213	1.328	3/8-24	3.35	1.52	5630	10800	
GC1108KRRB	1 5/8			100	53.97	24	20.6	33.3	88.9	5.41	33.73	M10x1.5	2.88	1.306	25000	48000	
GC1110KRRB	1 5/8		50	4.3307	2 29/32	1.063	29/32	1 15/32	3 3/4	0.202	1.379	3/8-24	3.45	1.565	6950	13200	
GC1111KRRB	1 3/4			110	60.32	27	23.0	37.3	95.3	5.13	35.03	M10x1.5	3.45	1.565	31000	58500	
GC1112KRRB	1 7/8	55		5.1181	2 25/32	1.142	1 1/16	1 23/32	4 1/2	0.219	1.506	3/8-20	5.82	2.64	8500	15300	
GCE45KRRB	45			130	70.64	29	27.0	43.7	114.3	5.59	38.25	M10x1.5	5.82	2.64	37500	68000	
GC1115KRRB	2		211	3.9370	2 1/8	0.945	13/16	1 5/16	3 1/2	0.213	1.328	3/8-24	3.35	1.52	5630	10800	
GC1200KRRB	2 1/8			100	53.97	24	20.6	33.3	88.9	5.41	33.73	M10x1.5	2.88	1.306	25000	48000	
GC1203KRRB	2 1/4	212		4.3307	2 3/8	1.063	29/32	1 15/32	3 3/4	0.202	1.379	3/8-24	3.45	1.565	6950	13200	
GCE55KRRB	55			110	60.32	27	23.0	37.3	95.3	5.13	35.03	M10x1.5	3.45	1.565	31000	58500	
GC1207KRRB	2 1/2		215	5.1181	2 25/32	1.142	1 1/16	1 23/32	4 1/2	0.219	1.506	3/8-20	5.82	2.64	8500	15300	
GCE60KRRB	60			130	70.64	29	27.0	43.7	114.3	5.59	38.25	M10x1.5	5.82	2.64	37500	68000	
GC1215KRRB	2 5/8	215		5.1181	2 25/32	1.142	1 1/16	1 23/32	4 1/2	0.219	1.506	3/8-20	5.82	2.64	8500	15300	
GCE75KRRB	75			130	70.64	29	27.0	43.7	114.3	5.59	38.25	M10x1.5	5.82	2.64	37500	68000	

<sup>(1)</sup> Bore tolerances: 1 3/16"-2 3/16" nominal to **+0.0005"**, **.013mm** ;  
2 1/4"-3 3/16" nominal to **+0.0006"**, **.015mm**.



# GY-KRRB Setscrew Industrial Series

This "Y" series extra wide inner ring setscrew bearing has increased shaft support for HVAC and other industrial applications. The bearings feature superfinished raceways, grade 10 balls, and antiback-out nylon patch setscrews. They are factory prelubricated and are relubricatable. Setscrew mounting feature is ideal for reversing load applications.



Bearing Number	Basic Outer Ring Size	Bore d	O.D. D	Ring Widths		S	S <sub>1</sub>	F	M	J	Setscrew Size	Static Load Rating C <sub>0</sub>	Extended Dynamic Load Rating C <sub>E</sub>
				B Inner	C Outer								
		in. mm	in. mm	in. mm	in. mm	in. mm	in. mm	in. mm	in. mm	in. mm	in. mm	lbs N	lbs N
GY1008KRRB GY1009KRRB GY1010KRRB GY1011KRRB GYE15KRRB GYE17KRRB	203	1/2 5/16 3/8 7/16	1.5748 40	1.078 27.38	0.472 12	0.453 11.5	0.625 15.88	0.9 22.86	0.107 2.72	0.179 4.55	10-32 M5X.8	1000 4400	2360 10600
GY1012KRRB GYE20KRRB	204	3/4 20	1.8504 47	1.219 30.96	0.55 14	0.5 12.7	0.719 18.26	1.085 27.56	0.135 3.43	0.202 5.13	10-32 M5X.8	1400 6200	3200 14300
GY1013KRRB GY1014KRRB GY1015KRRB GY1100KRRB GYE25KRRB	205	13/16 7/8 15/16 1	2.0472 52	1.343 34.11	0.591 15	0.562 14.27	0.781 19.91	1.332 33.83	0.152 3.86	0.248 6.3	1/4-28 M6X1	1560 6950	3450 15600
GY1101KRRB GY1102KRRB GY1103KRRB GY1103KRRB3 GYE30KRRB	206	1 1/16 1 1/8 1 3/16 1 1/4	2.4409 62	1.500 38.1	0.709 18	0.625 15.88	0.875 22.22	1.587 40.31	0.156 3.96	0.300 7.62	1/4-28 M6X1	2280 10000	4800 21600
GY1104KRRB GY1105KRRB GY1106KRRB GY1107KRRB GYE35KRRB	207	1 1/4 1 3/8 1 7/8 1 7/8	2.8346 72	1.688 42.87	0.748 19	0.688 17.48	1 25.4	1.816 46.18	0.145 3.68	0.308 7.82	5/16-24 M8X1.25	3050 13700	6400 28500
GY1108KRRB GY1109KRRB GYE40KRRB	208	1 1/2 1 5/8 40	3.1496 80	1.938 49.22	0.827 21	0.75 19.05	1.188 30.17	2.058 52.27	0.16 4.06	0.315 8	5/16-24 M8X1.25	4000 17600	8150 36000
GY1110KRRB GY1111KRRB GY1112KRRB GYE45KRRB	209	1 5/8 1 11/16 1 3/4 45	3.3465 85	1.938 49.22	0.8661 22	0.75 19.05	1.188 30.17	2.28 57.92	0.179 4.55	0.315 8	5/16-24 M8X1.25	4000 17600	8150 36000
GY1113KRRB GY1114KRRB GY1115KRRB GY1115KRRB2 GYE50KRRB	210	1 13/16 1 7/8 1 15/16 2 50	3.5433 90	2.031 51.59	0.8661 22	0.75 19.05	1.281 32.54	2.474 62.84	0.185 4.7	0.394 10	3/8-24 M10X1.5	4500 19600	8800 39000
GY1200KRRB GY1201KRRB GY1202KRRB GY1203KRRB GYE55KRRB	211	2 2 1/16 2 3/8 2 3/8 55	3.9370 100	2.187 55.55	0.945 24	0.875 22.22	1.312 33.32	2.747 69.77	0.197 5	0.394 10	3/8-24 M10X1.5	5600 25000	10800 48000
GY1204KRRB GY1205KRRB GY1206KRRB GY1207KRRB GYE60KRRB	212	2 1/4 2 3/8 2 3/4 2 7/8 60	4.3307 110	2.562 65.07	1.063 27	1 25.4	1.562 39.67	3.011 76.48	0.202 5.13	0.394 10	3/8-24 M10X1.5	6950 31000	13200 58500
GY1210KRRB GY1211KRRB GYE70KRRB	214	2 3/4 2 11/16 70	4.9213 125	2.75 69.85	1.102 28	1.062 26.97	1.687 42.84	3.422 86.92	0.2 5.08	0.472 12	7/16-20 M12X1.75	8500 37500	15600 69500
GY1212KRRB GY1214KRRB GY1215KRRB GYE75KRRB	215	2 3/4 2 7/8 2 15/16 75	5.1181 130	3.063 77.8	1.142 29	1.312 33.32	1.75 44.45	3.619 91.92	0.219 5.56	0.472 12	7/16-20 M12X1.75	8500 37500	15300 68000

(1) Bore tolerances: 1/2"-2 3/16" nominal to +.0005, .013mm;  
2 1/4"-3 15/16" nominal to +.0006, .015mm.



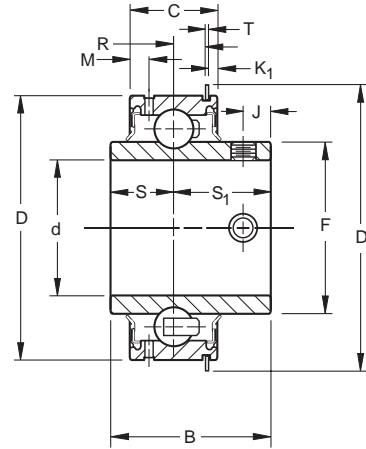
# ER Industrial Series Relubricatable Type

This series offers industry standard mounting dimensions and standard nomenclature. ER bearings are designed with a unique setscrew locking device that locks bearing to shaft and resists loosening during operation.

Positive contact land-riding R-seals provide protection against harmful contaminants and retain lubricant.

ER bearings are black oxide coated for corrosion resistance.

**Recommended shaft tolerances:** 1/2"-1 15/16", nominal to **-.0005"**, **-.013mm**;  
2"-2 15/16", nominal to **-.0010"**, **-.025mm**.



TO ORDER, SPECIFY BEARING NUMBER, Example: ER08.

Bearing Number	Basic Outer Ring	d Bore <sup>(1)</sup>	D O.D.	Ring Widths		S	S <sub>1</sub>	F	J	D <sub>1</sub>	K <sub>1</sub>	T	M	R	Setscrew Size	Bearing Wt.		Cross Reference Number <sup>(2)</sup>
				B Inner	C Outer											lbs.	kg	
		in.	in. mm	in. mm	in. mm	in. mm	in. mm	in. mm	in. mm	in. mm	in. mm	in. mm	in. mm	in. mm	in.	lbs.	kg	
ER08	204	1/2	1.8504 47	1 7/32 30.96	5/8 15.88	1/2 12.7	23/32 18.26	1 1/64 28.17	13/64 5.16	2 1/16 52.4	11/64 4.36	3/64 1.2	5/32 3.97	3/64 1.19	10 - 32 M5X.8	0.42	0.190	GC1008KRRG-2
ER10		5/8														0.37	0.167	GC1010KRRG-2
ER12		3/4														0.31	0.141	GC1012KRRG-2
ER14	205	3/8	2.0472 52	1 11/32 34.13	3/4 19.05	9/16 14.29	25/32 19.84	1 21/64 33.73	1/4 6.35	2 17/64 57.5	11/64 4.36	3/64 1.2	3/64 3.57	7/64 2.78	1/4 - 28 M6X1	0.48	0.218	GC1014KRRG-2
ER15		15/16														0.43	0.195	GC1015KRRG-2
ER16		1														0.40	0.181	GC1100KRRG-2
ER18	206	1 1/8	2.4409 62	1 1/2 38.1	7/8 22.23	5/8 15.87	7/8 22.22	1 19/32 40.48	19/64 7.54	2 21/32 67.5	1/8 3.18	1/16 1.6	1/32 5.56	5/32 3.97	1/4 - 28 M6X1	0.75	0.340	GC1102KRRG-2
ER19		1 3/16														0.69	0.313	GC1103KRRG-2
ER20	207	1 1/4	2.8346 72	1 11/16 42.86	15/16 23.81	11/16 17.46	1 25.4	1 21/32 46.83	5/16 7.94	3 3/64 78.2	11/64 4.36	1/16 1.6	1/32 5.56	15/64 5.95	5/16 - 24 M8X1.25	1.25	0.567	GC1104KRRG-2
ER22		1 3/8														1.10	0.499	GC1106KRRG-2
ER23		1 7/16														1.05	0.476	GC1107KRRG-2
ER24	208	1 1/2	3.1496 80	1 15/16 49.21	1 3/32 27.78	3/4 19.05	1 3/16 30.16	2 1/16 52.38	5/16 7.94	3 13/32 86.5	1/8 3.18	1/16 1.6	1/4 6.35	23/64 9.12	5/16 - 24 M8X1.25	1.48	0.671	GC1108KRRG-2
ER27	209	1 11/16	3.3465 85	1 15/16 49.21	1 3/32 27.78	3/4 19.05	1 3/16 30.16	2 7/32 57.94	5/16 7.94	3 19/32 91.3	1/8 3.18	1/16 1.6	1/4 6.35	23/64 9.13	5/16 - 24 M8X1.25	1.62	0.735	GC1111KRRG-2
ER28		1 3/4														1.52	0.690	GC1112KRRG-2
ER30	210	1 7/8	3.5433 90	2 1/2 51.59	1 1/8 28.58	3/4 19.05	1 1/2 32.54	2 1/16 55.66	25/64 9.92	3 51/64 96.4	3/64 3.57	1/32 2.4	1/32 7.14	8.33	10X1.5 M10X1.5	1.88	0.853	GC1114KRRG-2
ER31		1 15/16														1.84	0.834	GC1115KRRG-2
ER32	211	2	3.9370 100	2 3/8 55.56	1 3/8 30.16	7/8 22.22	1 5/8 33.34	2 3/4 69.85	25/64 9.92	4 3/16 106.4	1/8 3.57	1/32 2.4	1/32 7.14	23/64 9.13	M10X1.5	2.87	1.300	GC1200KRRG-2
ER35		2 3/16														2.39	1.084	GC1203KRRG-2
ER39	212	2 7/16	4.3307 110	2 5/16 65.09	1 1/4 31.75	1 25.4	1 9/16 39.69	3 3/64 76.60	25/64 9.92	4 27/64 116.3	1/8 3.18	1/32 2.4	11/64 6.75	29/64 11.51	3/8 - 24 M10X1.5	3.20	1.450	GC1207KRRG-2
ER47	215	2 15/16	5.1180 130	3 1/8 77.79	1 1/2 38.1	1 3/8 33.33	1 3/4 44.45	3 39/64 91.68	15/32 11.91	5 1/2 139.7	11/32 8.73	3/64 2.8	1/4 6.35	11.11	M12X1.75	4.88	2.210	GC1215KRRG-2
ER51		3 3/16														7.61	3.450	GC1216KRRG-2

<sup>(1)</sup>Bore tolerance: 1/2"-2 3/16", nominal to +.0005", **.013mm**  
2 1/4"-2 15/16", nominal to +.0006", **.015mm**

<sup>(2)</sup>Use Cross Reference Bearing Numbers to locate Load Ratings on page 155.



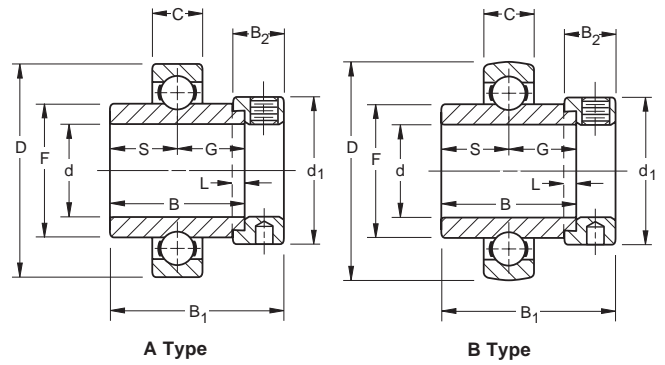


# SM Industrial Series A and B Types/MUA-B Inserts<sup>(6)</sup>

Standard SM series wide inner ring ball bearings have the same ring tolerances and corner radii as equivalent 200 series single row radial ball bearings.

Type A has cylindrical outside diameters; type B has spherical outside diameters. The letter B appears on outer ring only. **Bearings are not prelubricated**

Recommended shaft tolerances: 1/2"-1 1/16", nominal to **-.0005", -.013mm**;  
2"-3 1/16", nominal to **-.0010", -.025mm**.



TO ORDER, SPECIFY BEARING NUMBER FOLLOWED BY "AND COLLAR". EXAMPLE: SM1207KB AND COLLAR.

Bearing Number	Collar Number	Basic Outer Ring Size	Bore <sup>(4)</sup> d	O.D. D	Ring Widths		S&G	F	L	d <sub>1</sub>	B <sub>2</sub>	B <sub>1</sub>	Brg. & Collar Wt.		Static Load Rating C <sub>0</sub>	Extended Dynamic Load Rating C <sub>E</sub>
					B Inner	C Outer							lbs	kg		
SM1008K	SM1008KB	S1008K	1/2	1.5748	1 3/32	0.4724	35/64	0.900	5/32	1 1/8	17/32	1 15/32	0.32	0.145	1000	2360
SM1009K	SM1009KB	S1009K	5/16	40	27.78	12	13.9	22.86	4.0	28.6	13.5	37.3	0.3	0.136	4400	10600
SM1010K	SM1010KB	S1010K	3/8										0.25	0.113		
SM1011K	SM1011KB	S1011K	11/16													
SM1012K	SM1012KB	S1012K	3/4	1.8504	1 11/32	0.5512	43/64	1.085	5/32	1 3/16	17/32	1 23/32	0.43	0.195	1400	3200
SM1013K	SM1013KB	S1013K	13/16										0.61	0.276		
SM1014K	SM1014KB	S1014K	7/8	2.0472	1 3/8	0.5906	11/16	1.332	5/32	1 1/2	17/32	1 3/4	0.56	0.254	1560	3450
SM1015K	SM1015KB	S1015K	15/16	52	34.93	15	17.5	33.83	4.0	38.1	13.5	44.45	0.52	0.236	6950	15600
SM1100K	SM1100KB	S1100K	1										0.48	0.217		
SM1101K	SM1101KB	S1101K	1 1/16	2.4409	1 7/16	0.6299	23/32	1.587	5/32	1 3/4	5/8	1 29/32	0.88	0.399	2280	4800
SM1102K	SM1102KB	S1102K	1 1/8	62	36.51	16 <sup>(1)</sup>	18.3	40.31	4.0	44.4	15.9	48.4	0.81	0.367	10000	21600
SM1103K	SM1103KB	S1103K	1 1/4										0.73	0.331		
SM1104K	SM1104KB	S1104K	1 1/2										1.37	0.621		
SM1105K	SM1105KB	S1105K	1 5/8	2.8346	1 33/64	0.6693	0.742	1.816	5/32	2 1/8	11/16	2 1/4	1.3	0.589	3050	6400
SM1106K	SM1106KB	S1106K	1 3/4	72	37.70	17 <sup>(2)</sup>	18.85	46.13	4.0	54.0	17.46	51.2	1.24	0.562	13700	28500
SM1107K	SM1107KB	S1107K	1 7/8										1.19	0.539		
SM1108KT	SM1108KB	S1108KT	1 1/2	3.1496	1 11/16	0.7087	23/32	2.058	3/16	2 3/8	23/32	2 1/2	1.68	0.761	4000	8150
SM1109KT	SM1109KB	S1109KT	1 5/8	80	42.86	18 <sup>(3)</sup>	21.4	52.27	4.8	60.3	18.3	56.4	1.58	0.716	17600	36000
SM1110K	SM1110KB	S1110K	1 5/8	3.3465	1 11/16	0.7480	23/32	2.28	3/16	2 1/2	23/32	2 1/2	1.93	0.875	4000	8150
SM1111K	SM1111KB	S1111K	1 11/16	85	42.86	19	21.4	57.92	4.8	63.5	18.3	56.4	1.89	0.857	17600	36000
SM1112K	SM1112KB	S1112K	1 3/4										1.77	0.803		
SM1113K	SM1113KB	S1113K	1 13/16	3.5433	1 15/16	0.7874	31/32	2.474	7/16	2 3/4	23/32	2 15/32	2.37	1.075	4500	8800
SM1114K	SM1114KB	S1114K	1 7/8	90	49.21	20	24.6	62.84	4.8	69.9	18.3	62.7	2.23	1.012	19600	39000
SM1115K	SM1115KB	S1115K	1 15/16										2.12	0.962		
SM1200K	SM1200KB	S1200K	2										3.33	1.51		
SM1201K	SM1201KB	S1201K	2 1/16	3.9370	2 7/16	0.8268	1 1/32	2.747	7/16	3	13/16	2 13/16	3.08	1.397	5600	10800
SM1202K	SM1202KB	S1202K	2 1/8	100	55.56	21	27.8	69.77	4.8	76.2	20.6	71.4	3.17	1.438	25000	48000
SM1203K	SM1203KB	S1203K	2 1/4										2.77	1.256		
SM1204K	SM1204KB	S1204K	2 1/2										4.1	1.86		
SM1205K	SM1205KB	S1205K	2 5/8	4.3307	2 7/8	0.8661	1 1/32	3.011	1/4	3 3/16	7/8	3 1/8	3.94	1.787	6950	13200
SM1206K	SM1206KB	S1206K	2 3/4	110	61.91	22	30.96	76.48	6.4	84.14	22.33	77.8	3.73	1.692	31000	58500
SM1207K	SM1207KB	S1207K	2 7/8										3.03	1.374		
SM1208K	SM1208K	S1208K	2 1/2	4.7244	2 11/16	0.9055	1 11/32	3.33	1/4	3 13/16	15/16	3 3/8	5.45	2.472	7800	14300
				120	68.26	23	34.13	84.58	6.4	96.84	23.81	85.73			34000	63000
SM1211KT	SM1211KTB	S1211KT	2 11/16	4.9213	2 11/16	0.9449	1 11/32	3.422	1/4	3 13/16	15/16	3 3/8	5.33	2.418	8500	15600
				125	68.26	24	34.13	86.92	6.4	96.84	23.81	85.73			37500	69500
SM1213K	SM1213KB	S1213K	2 13/16	5.1181	2 15/16	0.9843	1 19/32	3.619	1/4	4	15/16	3 3/8	6.3	2.858	8500	15300
SM1215K	SM1215KB	S1215K	2 15/16	130	74.61	25	37.3	91.92	6.4	101.6	23.81	92.08	6.18	2.803	37500	68000
SM1303K	SM1303KB	S1303K	3 3/16	5.5118	3 7/16	1.0236	1 19/32	3.874	1/4	4 3/8	1	3 15/16	7.61	3.452	10200	18000
				140	80.96	26	40.48	98.4	6.4	111.13	25.4	100.01			45000	80000
SM1307K	SM1307KB	S1307K	3 7/16	5.9055	3 7/8	1.1024	1 23/32	4.127	1/4	4 7/16	1	4 3/16	8.6	3.901	11800	20800
				150	87.31	28	43.66	104.83	6.4	112.71	25.4	106.36			52000	93000
SM1311W-BR	SM1311WB-BR <sup>(6)</sup>	S1311K	3 11/16	6.6929	3 11/16	1.2598	1 23/32	4.659	1/4	5	1 1/16	4 1/2	13.4	6.078	22000	34000
				170	93.66	32	46.83	118.34	6.4	127	26.99	114.3			98000	150000
SM1315W-BR	SM1315WB-BR <sup>(6)</sup>	S1315	3 15/16	7.0866	3 15/16	1.3386	1 31/32	4.876	1/4	5 1/2	1 1/4	4 15/16	16.17	7.335	25000	38000
				180	100.01	34	50	123.85	6.4	139.7	31.75	125.41			110000	170000

(1) Spherical O.D. outer ring width is .7087", 18mm  
 (2) Spherical O.D. outer ring width is .7480", 19mm  
 (3) Spherical O.D. outer ring width is .8268", 21mm

(4) Bore tolerance: 1/2"-2 3/16", nominal to +.0005, +.013mm  
 2 1/4"-3 1/16", nominal to +.0006, +.015mm  
 3 1/4"-3 15/16", nominal to +.0007", +.018 mm.

(5) For applications where thrust load exceeds 60% of radial load consult The Torrington Engineering Department.  
 (6) See page 236.  
 (7) Order as MUA assembly suggested.

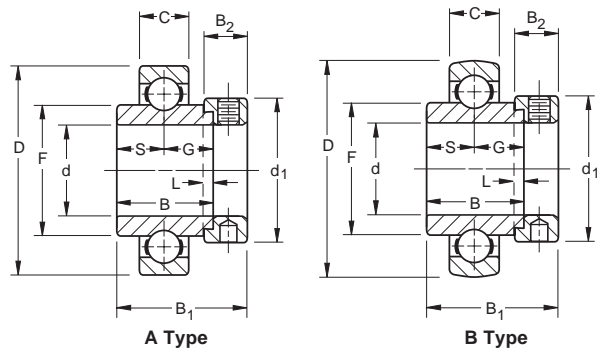


# SMN Heavy Series A and B Types/MUOA-B Inserts<sup>(4)</sup>

Heavy SMN series wide inner ring ball bearings have the same ring tolerances and corner radii as equivalent 300 series single row radial ball bearings.

Type A has cylindrical outside diameters; type B has spherical outside diameters. The letter B appears on outer ring only. **Bearings are not prelubricated.**

Recommended shaft tolerances:  $\frac{3}{8}$ "-1  $\frac{1}{16}$ ", nominal to **-0.0005"**, **-0.013mm**;  
 2  $\frac{3}{16}$ "-3  $\frac{1}{16}$ ", nominal to **-0.0010"**, **-0.025mm**.  
 Larger sizes- consult the Engineering department.



TO ORDER, SPECIFY BEARING NUMBER FOLLOWED BY "AND COLLAR". EXAMPLE: SMN102K AND COLLAR.

Bearing Number	Collar Number	Basic Outer Ring Size	Bore <sup>(1)</sup> d	O.D. D	Ring Widths		S	G	F	L	d <sub>1</sub>	B <sub>2</sub>	B <sub>1</sub>	Brg. & Collar Wt.		Static Load Rating C <sub>0</sub>	Extended Dynamic Load Rating C <sub>E</sub>	
					B Inner	C Outer								lbs	kg			
A Type <sup>(3)</sup>	B Type		in.	in. mm	in. mm	in. mm	in. mm	in. mm	in. mm	in. mm	in. mm	in. mm	in. mm	lbs	kg	lbs	lbs	
SMN010K	SMN010KB	SN010K	303	$\frac{5}{16}$	1.8504	1 $\frac{1}{32}$	0.5512	$\frac{43}{64}$	$\frac{43}{64}$	1.021	$\frac{7}{32}$	1 $\frac{1}{8}$	$\frac{5}{8}$	1 $\frac{13}{16}$	0.53	0.24	1460	3350
SMN011K	SMN011KB	SN011K		$\frac{11}{16}$	47	34.13	14	17.07	17.07	25.93	4.0	34.93	15.88	46.05	0.48	0.218	6550	15000
SMN012K	SMN012KB	SN012K	304	$\frac{3}{4}$	2.0472	1 $\frac{3}{8}$	0.5906	$\frac{5}{8}$	$\frac{3}{4}$	1.151	$\frac{1}{2}$	1 $\frac{1}{8}$	$\frac{5}{8}$	1 $\frac{27}{32}$	0.5	0.227	1760	4000
SMN013K	SMN013KB	SN013K		$\frac{13}{16}$														
SMN014K	SMN014KB	SN014K	305	$\frac{7}{8}$	2.4409	1 $\frac{3}{8}$	0.6693	$\frac{27}{32}$	$\frac{23}{32}$	1.437	$\frac{7}{32}$	1 $\frac{11}{16}$	$\frac{5}{8}$	1 $\frac{27}{32}$	0.95	0.431	2750	5850
SMN015K	SMN015KB	SN015K		$\frac{15}{16}$	62	34.93	17	16.67	18.26	36.5	4.0	42.86	15.88	46.83	0.91	0.413	12200	26000
SMN100K	SMN100KB	SN100K		1											0.86	0.404		
SMN101K	SMN101KB	SN101K		1 $\frac{1}{8}$	2.8346	1 $\frac{7}{16}$	0.7480	$\frac{11}{16}$	$\frac{3}{4}$	1.702	$\frac{1}{2}$	1 $\frac{11}{16}$	$\frac{11}{16}$	1 $\frac{31}{32}$	1.34	0.608	3550	7500
SMN102K	SMN102KB	SN102K	306	1 $\frac{1}{8}$	72	36.51	19	17.46	19.05	43.23	4.0	49.21	17.46	50	1.29	0.585	15600	33500
SMN103K	SMN103KB	SN103K		1 $\frac{1}{8}$											1.25	0.567		
SMN104K	SMN104KB	SN104K		1 $\frac{1}{4}$											1.77	0.803		
SMN105K	SMN105KB	SN105K	307	1 $\frac{1}{4}$	3.1496	1 $\frac{1}{2}$	0.8268	$\frac{23}{32}$	$\frac{25}{32}$	1.927	$\frac{7}{32}$	2 $\frac{3}{16}$	$\frac{11}{16}$	2 $\frac{1}{2}$	1.67	0.757	4500	9150
SMN106K	SMN106KB	SN106K		1 $\frac{3}{8}$	80	38.10	21	18.26	19.84	48.95	4.0	55.6	17.46	51.59	1.6	0.726	20000	40500
SMN107K	SMN107KB	SN107K		1 $\frac{7}{16}$											1.56	0.721		
SMN108K	SMN108KB	SN108K	308	1 $\frac{1}{2}$	3.5433	1 $\frac{5}{8}$	0.9055	$\frac{25}{32}$	$\frac{27}{32}$	2.185	$\frac{3}{16}$	2 $\frac{1}{2}$	$\frac{13}{16}$	2 $\frac{1}{4}$	2.4	1.089	5600	11000
SMN109K	SMN109KB	SN109K		1 $\frac{9}{16}$	90	41.28	23	19.84	21.43	55.5	4.8	63.5	20.64	57.15	2.26	1.025	25000	49000
SMN110K	SMN110KB	SN110K		1 $\frac{3}{8}$	3.9370	1 $\frac{11}{16}$	0.9843	$\frac{25}{32}$	$\frac{25}{32}$	2.443	$\frac{3}{16}$	2 $\frac{3}{4}$	$\frac{13}{16}$	$\frac{25}{16}$	3.16	1.433	6700	13200
SMN111K	SMN111KB	SN111K	309	1 $\frac{11}{16}$	100	42.86	25	19.84	23.02	62.05	4.8	69.9	20.64	58.74	3	1.361	30000	58500
SMN112K	SMN112KB	SN112K		1 $\frac{3}{4}$											3	1.361		
SMN113K	SMN113KB	SN113K		1 $\frac{3}{8}$	4.3307	1 $\frac{13}{16}$	1.063	$\frac{31}{32}$	$\frac{31}{32}$	2.708	$\frac{7}{16}$	3	$\frac{7}{8}$	2 $\frac{3}{8}$	4.18	1.896	8000	15300
SMN114K	SMN114KB	SN114K	310	1 $\frac{1}{2}$	110	49.21	27	24.61	24.61	68.78	4.8	76.2	22.2	66.68	3.98	1.805	35500	68000
SMN115K	SMN115KB	SN115K		1 $\frac{15}{16}$											3.83	1.737		
SMN200K	SMN200KB	SN200K		2											5.32	2.413		
SMN201K	SMN201KB	SN201K	311	2 $\frac{1}{16}$	4.7244	2 $\frac{3}{16}$	1.1417	1 $\frac{1}{32}$	1 $\frac{1}{32}$	2.953	$\frac{7}{16}$	3 $\frac{1}{4}$	$\frac{7}{8}$	2 $\frac{1}{8}$	5.28	2.395	9500	18000
SMN202K	SMN202KB	SN202K		2 $\frac{1}{8}$	120	55.56	29	27.78	27.78	75.01	4.8	82.55	22.2	73.03	5.14	2.331	41500	80000
SMN203K	SMN203KB	SN203K		2 $\frac{3}{16}$											4.87	2.209		
SMN204K	SMN204KB	SN204K	312	2 $\frac{1}{4}$											6.8	3.084		
SMN205K	SMN205KB	SN205K		2 $\frac{1}{8}$	5.1181	2 $\frac{7}{16}$	1.2205	1 $\frac{1}{32}$	1 $\frac{1}{32}$	3.21	$\frac{1}{4}$	3 $\frac{1}{2}$	$\frac{15}{16}$	3 $\frac{1}{8}$	6.64	3.012	10800	20400
SMN206K	SMN206KB	SN206K		2 $\frac{3}{8}$	130	61.91	31	31	31	81.53	6.4	88.9	23.81	79.38	6.41	2.908	48000	90000
SMN207K	SMN207KB	SN207K		2 $\frac{7}{16}$											6.2	2.812		
SMN211K	SMN211KB	SO211K	314	2 $\frac{11}{16}$	5.9055	2 $\frac{11}{16}$	1.378	1 $\frac{11}{32}$	1 $\frac{11}{32}$	3.731	$\frac{1}{4}$	4	1 $\frac{1}{16}$	3 $\frac{3}{8}$	9.27	4.205	14300	26000
SMN215K	SMN215KB	SN215K	315	2 $\frac{15}{16}$	6.2992	2 $\frac{15}{16}$	1.4567	1 $\frac{15}{32}$	1 $\frac{15}{32}$	3.952	$\frac{1}{4}$	4 $\frac{1}{16}$	1 $\frac{1}{4}$	3 $\frac{15}{16}$	12.91	5.856	16000	28500
SMN303K	SMN303KB	SN303K	316	3 $\frac{3}{16}$	6.6929	3 $\frac{3}{16}$	1.5354	1 $\frac{1}{32}$	1 $\frac{1}{32}$	4.209	$\frac{1}{4}$	4 $\frac{11}{16}$	1 $\frac{1}{4}$	4 $\frac{3}{16}$	14.78	6.704	18000	30500
SMN307K	SMN307KB	SN307K	318	3 $\frac{7}{16}$	7.4803	3 $\frac{7}{16}$	1.6929	40.48	40.48	106.91	6.4	119.06	31.75	106.36			80000	137000
SMN307K	SMN307KB	SN307K		3 $\frac{7}{16}$	7.4803	3 $\frac{7}{16}$	1.6929	43.66	43.66	120.12	7.94	133.35	36.51	115.89	22.01	9.984	22400	35500
SM0311W-BR <sup>(2)</sup>	SM0311WB-BR <sup>(2)</sup>	SO311K	319	3 $\frac{11}{16}$	7.874	3 $\frac{11}{16}$	1.7717	38.89	54.77	126.67	7.94	139.7	36.51	122.24	24.45	11.09	37500	50000
SMN315K	SMN315KB	SN315K	320	3 $\frac{15}{16}$	8.4646	3 $\frac{15}{16}$	1.8504	50	50	134.77	7.94	146.05	36.51	128.59	28.81	13.068	29000	43000
SMN315K	SMN315KB	SN315K		3 $\frac{15}{16}$	8.4646	3 $\frac{15}{16}$	1.8504	50	50	134.77	7.94	146.05	36.51	128.59	28.81	13.068	192000	193000
SMN403W-BR <sup>(2)</sup>	SMN403WB-BR	SN403K	321	4 $\frac{3}{16}$	8.8583	4 $\frac{1}{8}$	1.9291	48.42	56.36	141.22	7.94	157.16	42.86	139.7	34.19	15.508	43000	56000
SMN403W-BR <sup>(2)</sup>	SMN403WB-BR	SN403K		4 $\frac{3}{16}$	8.8583	4 $\frac{1}{8}$	1.9291	48.42	56.36	141.22	7.94	157.16	42.86	139.7	34.19	15.508	193000	250000
SMN407W-BR <sup>(2)</sup>	SMN407WB-BR <sup>(2)</sup>	SN407K	322	4 $\frac{7}{16}$	9.4488	4 $\frac{3}{8}$	1.9685	49.21	57.15	142.75	7.94	165.1	42.86	141.29	42	19.051	52000	63000
SMN407W-BR <sup>(2)</sup>	SMN407WB-BR <sup>(2)</sup>	SN407K		4 $\frac{7}{16}$	9.4488	4 $\frac{3}{8}$	1.9685	49.21	57.15	142.75	7.94	165.1	42.86	141.29	42	19.051	228000	280000
SMN415W-BR <sup>(2)</sup>	SMN415WB-BR <sup>(2)</sup>	SN415K	326	4 $\frac{15}{16}$	11.0236	4 $\frac{3}{4}$	2.3228	53.98	61.91	176.56	7.94	206.38	42.86	150.81	65.39	29.66	69500	78000
SMN415W-BR <sup>(2)</sup>	SMN415WB-BR <sup>(2)</sup>	SN415K		4 $\frac{15}{16}$	11.0236	4 $\frac{3}{4}$	2.3228	53.98	61.91	176.56	7.94	206.38	42.86	150.81	65.39	29.66	305000	345000

<sup>(1)</sup> Bore tolerance:  $\frac{3}{8}$ "-2  $\frac{3}{16}$ ", nominal to +0.0005", +0.013mm  
 3  $\frac{1}{16}$ "-4  $\frac{3}{16}$ ", nominal to +0.0007", +0.018mm.  
 4  $\frac{1}{16}$ "-4  $\frac{15}{16}$ ", nominal to +0.0008", +0.020mm

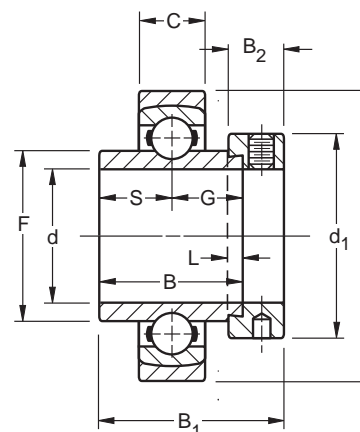
<sup>(2)</sup> For applications where thrust load exceeds 60% of radial load consult The Torrington Company.  
<sup>(3)</sup> Order as MUOA assembly suggested.  
<sup>(4)</sup> See page 236.



# SM-S Industrial Series

In the standard SM-S series, the construction permits the inner assembly to swivel in the outer aligning ring. Unrestricted self-alignment is thus achieved, which allows the inner ring to become square and true with the shaft and assembly. Because the external S ring is specially ground and is closely matched to its respective outer bearing ring, the S ring of one bearing will not fit the outer ring of another bearing. **Bearings are not prelubricated.**

Recommended shaft tolerances: 1"-1 1/16", nominal to -.0005", **-.013mm**;  
2"-3 1/16", nominal to -.0010", **-.025mm**.



TO ORDER, SPECIFY BEARING NUMBER FOLLOWED BY "AND COLLAR". EXAMPLE: SM1215KS AND COLLAR.

Bearing Number	Collar Number	Basic Outer Ring Size	Bore <sup>(1)</sup> d	O.D. D	Ring Widths		S&G	F	L	d <sub>1</sub>	B <sub>2</sub>	B <sub>1</sub>	Brg. & Collar Wt.		Static Load Rating C <sub>0</sub>	Extended Dynamic Load Rating C <sub>E</sub>
					B Inner	C Outer							lbs	kg		
SM1100KS	S1100K	205S	1	2.2441 57	1 3/8 34.93	0.591 15	1 1/16 17.46	1.293 32.84	5/32 4.0	1 1/2 38.1	1 17/32 13.5	1 41/64 44.1	0.58 0.263	1560 6950	3450 15600	
SM1103KS	S1103K	206S	1 3/16	2.6772 68	1 7/16 36.51	0.6300 16	2 23/32 18.3	1.54 39.12	5/32 4.0	1 3/4 44.4	5/8 15.9	1 29/32 48.4	0.92 0.418	2280 10000	4800 21600	
SM1104KS	S1104K	207S	1 1/4	3.1102 79	1 31/64 37.70	0.669 17	0.742 18.85	1.816 46.13	5/32 4.0	2 1/8 54.4	1 11/16 17.46	2 1/64 51.2	1.6 0.726	3050 13700	6400 28500	
SM1107KS	S1107K	208S	1 1/2	3.4646 88	1 11/16 42.86	0.709 18	2 7/32 21.4	2.058 52.27	3/8 4.8	2 3/8 60.3	2 23/32 18.3	2 1/2 56.4	1.99 0.903	4000 17600	8150 36000	
SM1108KS	S1108KT	208S	1 1/2	3.4646 88	1 11/16 42.86	0.709 18	2 7/32 21.4	2.058 52.27	3/8 4.8	2 3/8 60.3	2 23/32 18.3	2 1/2 56.4	1.99 0.903	4000 17600	8150 36000	
SM1115KS	S1115K	210S	1 15/16	3.9370 100	1 15/16 49.21	0.7874 20	2 31/32 24.6	2.474 62.84	3/8 4.8	2 3/4 69.9	2 23/32 18.3	2 15/32 62.7	2.61 1.185	4500 19600	8800 39000	
SM1203KS	S1203K	211S	2 3/16	4.3307 110	2 3/16 55.56	0.8268 21	1 1/2 27.8	2.747 69.77	3/16 4.8	3 76.2	1 13/16 20.6	2 13/16 71.4	3.85 1.748	5600 25000	10800 48000	
SM1207KS	S1207K	212S	2 7/16	4.7244 120	2 7/16 61.91	0.8661 22	1 1/2 30.96	3.011 76.48	1/4 6.4	3 5/16 84.14	7/8 22.2	3 1/8 77.8	4.2 1.907	6950 31000	13200 58500	
SM1211KS	S1211KT	214S	2 11/16	5.5118 140	2 11/16 68.26	0.9449 24	1 11/32 34.13	3.422 86.92	1/4 6.4	3 13/16 96.84	1 15/16 23.81	3 3/8 79.4	6.55 2.974	8500 37500	15600 69500	
SM1215KS	S1215K	215S	2 15/16	5.7087 145	2 15/16 74.61	0.9843 25	1 15/32 37.3	3.619 91.92	1/4 6.4	4 101.6	1 15/16 23.81	3 3/8 92.08	7.8 3.541	8500 37500	15300 68000	
SM1303KS	S1303K	216S	3 3/16	6.1024 155	3 3/16 80.96	1.0236 26	1 19/32 40.48	3.874 98.4	1/4 6.4	4 3/8 111.13	1 25.4	3 15/16 100.01	9.14 4.15	10200 45000	18000 80000	
SM1307KS	S1307K	217S	3 7/16	6.4961 165	3 7/16 87.31	1.1024 28	1 23/32 43.66	4.127 104.83	1/4 6.4	4 7/16 112.71	1 25.4	4 3/16 106.36	10.33 4.69	11800 52000	20800 93000	
SM1315WS <sup>(2)</sup>	S1315K	220S	3 15/16	7.874 200	3 15/16 100.01	1.3386 34	1 31/32 50	4.876 123.85	1/4 6.4	5 1/2 139.7	1 1/4 31.75	4 15/16 125.41	19.69 8.939	25000 110000	38000 170000	

<sup>(1)</sup> Bore tolerance: 1"-2 3/16", nominal to +.0005, .013mm  
2 1/4"-3 3/16", nominal to +.0006, .015mm  
3 1/4"-3 15/16", nominal to +.0007, +.018mm.

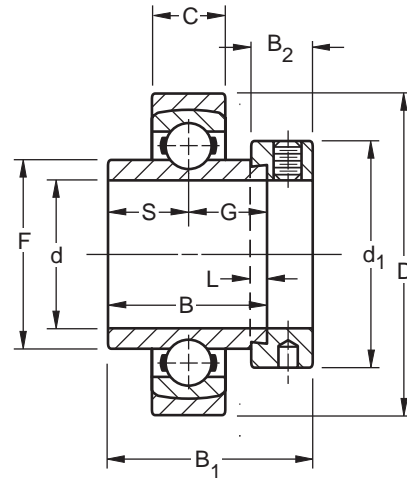
<sup>(2)</sup> For applications where thrust load exceeds 60% of radial load consult The Torrington Company.



# SMN-S Heavy Series

In the heavy SMN-S series, the construction permits the inner assembly to swivel in the outer aligning ring. Unrestricted self-alignment is thus achieved, which allows the inner ring to become square and true with the shaft and assembly. Because the external S ring is specially ground and is closely matched to its respective outer bearing ring, the S ring of one bearing will not fit the outer ring of another bearing. SMN-S series has the basic 300 series load capacities. **Bearings are not prelubricated.**

Recommended shaft tolerances: 1 3/16"-1 15/16", nominal to **-0.0005", -0.013mm**;  
 2"-3 15/16", nominal to **-0.0010", -0.025mm**.  
 Larger sizes consult the Engineering Department.



TO ORDER, SPECIFY BEARING NUMBER FOLLOWED BY "AND COLLAR". EXAMPLE: SMN215KS AND COLLAR.

Bearing Number	Collar Number	Basic Outer Ring Size	Bore <sup>(1)</sup> d	O.D. D	Ring Widths		S	G	F	L	d <sub>1</sub>	B <sub>2</sub>	B <sub>1</sub>	Brg. & Collar Wt.	Static Load Rating Co	Extended Dynamic Load Rating C <sub>E</sub>
					B Inner	C Outer										
			in.	in.	in.	in.	in.	in.	in.	in.	in.	in.	in.	lbs	lbs	lbs
			mm	mm	mm	mm	mm	mm	mm	mm	mm	mm	mm	kg	N	N
SMN103KS	SN103K	306S	1 3/16	3.1496 80	1 7/16 36.51	.748 19	1 1/16 17.5	3/4 19.1	1.702 43.23	5/32 4.0	1 15/16 49.2	1 1/16 17.5	1 31/32 50.0	1.44 0.654	3550 15600	7550 33500
SMN107KS	SN107K	307S	1 7/16	3.4646 88	1 1/2 38.10	0.8268 21	2 1/32 18.30	2 5/32 19.8	1.927 48.95	3/32 4.0	2 3/16 55.6	1 1/16 17.5	2 1/32 51.6	1.87 0.849	4500 20000	9150 40500
SMN108KS	SN108KT	308S	1 1/2	3.9370 100	1 5/8 41.28	0.9055 23	2 5/32 19.80	2 7/32 21.4	2.185 55.5	3/16 4.8	2 1/2 63.5	1 3/16 20.6	2 1/4 57.2	2.96 1.344	5600 25000	11000 49000
SMN111KS	SN111K	309S	1 11/16	4.3307 110	1 11/16 42.86	0.9843 25	2 5/32 19.80	2 9/32 23.0	2.443 62.05	3/16 4.8	2 3/4 69.9	1 3/16 20.6	2 5/16 58.7	3.73 1.693	6700 30000	13200 58500
SMN115KS	SN115K	310S	1 15/16	4.7244 120	1 15/16 49.21	1.063 27	2 1/32 24.6	2 3/32 24.6	2.708 68.78	3/16 4.8	3 76.2	1/8 22.2	2 5/16 66.7	4.73 2.147	8000 35500	15300 68000
SMN203KS	SN203K	311S	2 3/16	5.1181 130	2 3/16 55.56	1.1417 29	1 1/32 27.8	1 1/32 27.8	2.953 75.01	3/16 4.8	3 1/4 82.6	1/8 22.2	2 1/8 73.00	6.1 2.769	9500 41500	18000 80000
SMN207KS	SN207K	312S	2 7/16	5.7087 145	2 7/16 61.91	1.2205 31	1 1/32 31	1 1/32 31	3.21 81.53	1/4 6.4	3 1/2 88.9	1 5/16 23.8	3 1/8 79.4	7.5 3.405	10800 48000	20400 90000
SMN211KS	SO211K	314S	2 11/16	6.4961 165	2 11/16 68.26	1.378 35	1 11/32 34.10	1 11/32 34.1	3.731 94.7	1/4 6.4	4 101.6	1 1/16 27.0	3 3/8 92.1	11.42 5.185	14300 63000	26000 116000
SMN215KS	SN215K	315S	2 15/16	6.8898 175	2 15/16 74.61	1.4567 37	1 15/32 37.3	1 15/32 37.3	3.952 100.38	1/4 6.4	4 7/16 112.7	1 1/4 31.8	3 15/16 100.0	14.22 6.456	16000 71000	28500 125000
SMN303KS	SN303K	316S	3 3/16	7.4803 190	3 3/16 80.96	1.5354 39	1 15/32 40.5	1 15/32 40.5	4.209 106.91	1/4 6.4	4 11/16 119.10	1 1/4 31.8	4 3/8 106.4	17.71 8.04	18000 80000	30500 137000
SMN307KS	SN307K	318S	3 7/16	8.2677 210	3 7/16 87.31	1.6929 43	1 23/32 43.7	1 23/32 43.7	4.729 120.12	3/16 7.9	5 1/4 133.4	1 1/16 36.5	4 1/8 115.9	25.97 1.79	22400 98000	35500 156000
SMO311WS-BR	SO311K	319WB	3 11/16	8.6608 220	3 11/16 93.66	1.768 45	1 17/32 38.89	2 7/32 54.77	4.982 126.53	3/16 7.94	5 1/2 139.7	1 7/16 36.51	4 13/16 122.24	33.0 16.3	37500 166000	50000 224000
SMN315KS	SN315K	320S	3 15/16	9.252 235	3 15/16 100.01	1.8504 47	1 17/32 50	1 17/32 50	5.306 134.77	3/16 7.9	5 3/4 146.0	1 7/16 36.5	5 1/8 128.6	34.85 15.822	29000 132000	43000 193000
SMN407WS-BR <sup>(2)</sup>	SN407K	322S	4 7/16	10.4331 265	4 7/16 106.36	1.9685 50	1 15/16 49.20	2 1/4 57.2	5.92 150.37	3/16 7.9	6 1/2 168.3	1 11/16 42.9	5 5/16 141.3	47.28 21.465	52000 228000	63000 280000
SMN415WS-BR <sup>(2)</sup>	SN415K	326S	4 15/16	11.811 300	4 15/16 115.89	2.3228 59	2 5/8 54.0	2 7/16 61.9	6.951 176.56	3/16 7.9	8 1/8 206.4	1 11/16 42.9	5 15/16 150.8	74.39 33.773	69500 305000	78000 345000

<sup>(1)</sup> Bore tolerance: 1 5/16"-2 3/16", nominal to +.0005, **+0.013mm**  
 2 3/4"-3 3/16", nominal to +.0006, **+0.015mm**  
 3 1/4"-4 3/16", nominal to +.0007", **+0.018mm**.  
 4 3/8"-4 15/16", nominal to +.0008", **+0.020mm**.

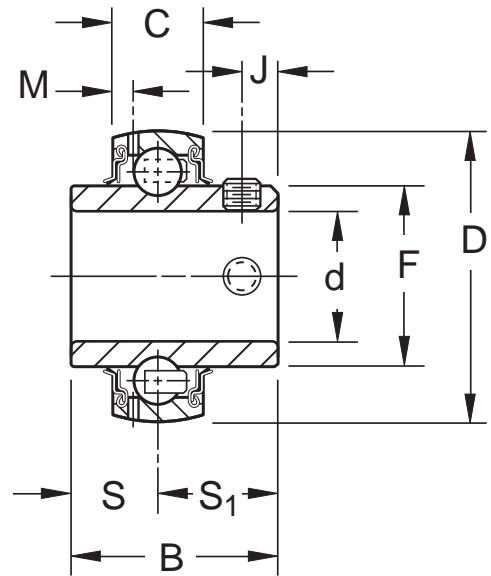
<sup>(2)</sup> For applications where thrust load exceeds 60% of radial load consult The Torrington Company.



# Medium Duty GYM-KRRB Inserts Setscrew Lock

The Fafnir GYM-KRRB series is designed to offer extended bearing life, even in the most demanding industrial environments. This insert features a full width inner ring which provides extra support along the shaft. This extra support feature, coupled with a flexible nylon retainer, allows the GYM-KRRB inserts to operate for extended periods with undersized shafts or misalignment conditions.

Fafnir's GYM-KRRB series inserts are equipped with a three-piece seal which protects against corrosion, contamination and fiber wrap. These inserts also include nylon patch setscrews which prevent setscrew back-out and provide superior holding power, even in applications with severe vibration.



**Recommended shaft tolerances: 1"-1 15/16", nominal to -.0005", -.013mm;  
2"-3", nominal to -.0010", -.025mm.**

TO ORDER, SPECIFY BEARING NUMBER, Example: GYM1108KRRB

Bearing Number  Spherical O.D.	Basic Outer Ring Size	Bore d	O.D. D	Ring Widths		S	S <sub>1</sub>	F	M	J	Setscrew
				B Inner	C Outer						
		in.	in. mm	in. mm	in. mm	in. mm	in. mm	in. mm	in. mm	in. mm	in. mm
GYM1100KRRB	206	1	2.4409 62	1.500 38.10	0.709 18	0.625 15.88	0.875 22.22	1.587 40.31	0.156 3.96	0.300 7.62	1/4-28 M6 x 1
GYM1103KRRB	207	1 1/16	2.8346 72	1.688 42.87	0.748 19	0.688 17.48	1.000 25.40	1.816 46.18	0.145 3.68	0.308 7.82	3/16-24 M8 x 1.25
GYM1107KRRB	208	1 1/8	3.1496 80	1.938 49.22	0.827 21	0.750 19.05	1.188 30.17	2.058 52.27	0.160 4.06	0.315 8.00	3/16-24 M8 x 1.25
GYM1108KRRB	209	1 1/2	3.3465 85	1.938 49.22	0.866 22	0.750 19.05	1.188 30.17	2.280 52.27	0.179 4.55	0.315 8.00	3/16-24 M8 x 1.25
GYM1111KRRB	210	1 11/16	3.5433 90	2.031	0.866	0.750	1.281	2.474	0.185	0.394	3/8-24
GYM1112KRRB		1 3/4		51.59	22	19.05	32.54	62.84	4.70	10.00	M10 x 1.5
GYM1115KRRB	211	1 15/16	3.9370 100	2.187	0.945	0.875	1.312	2.747	0.197	0.394	3/8-24
GY1200KRRB		2		55.55	24	22.22	33.32	69.77	5.00	10.00	M10 x 1.5
GYM1203KRRB	212	2 3/16	4.3307 110	2.562	1.063	1.000	1.562	3.011	0.202	0.394	3/8-24
GY1204KRRB		2 1/4		65.07	27	25.40	39.67	76.48	5.13	10.00	M10 x 1.5
GYM1207KRRB	214	2 7/16	4.9213 125	2.750	1.102	1.062	1.687	3.422	0.200	0.472	7/16-20
GYM1208KRRB		2 1/2		69.85	28	26.97	42.84	76.48	5.08	12.00	M12 x 1.75
GYM1211KRRB	215	2 11/16	5.1181 130	3.063 77.80	1.142 29	1.312 33.32	1.750 44.45	3.619 91.92	0.219 5.56	0.472 12.00	7/16-20 M12 x 1.75
GYM1215KRRB	216	2 15/16	5.5118 140	3.063 77.80	1.142 29	1.312 33.32	1.750 44.45	3.619 91.92	0.219 5.56	0.472 12.00	7/16-20 M12 x 1.75
GYM1300KRRB		3									