

Nissan Micra wiring diagrams

Diagram 1

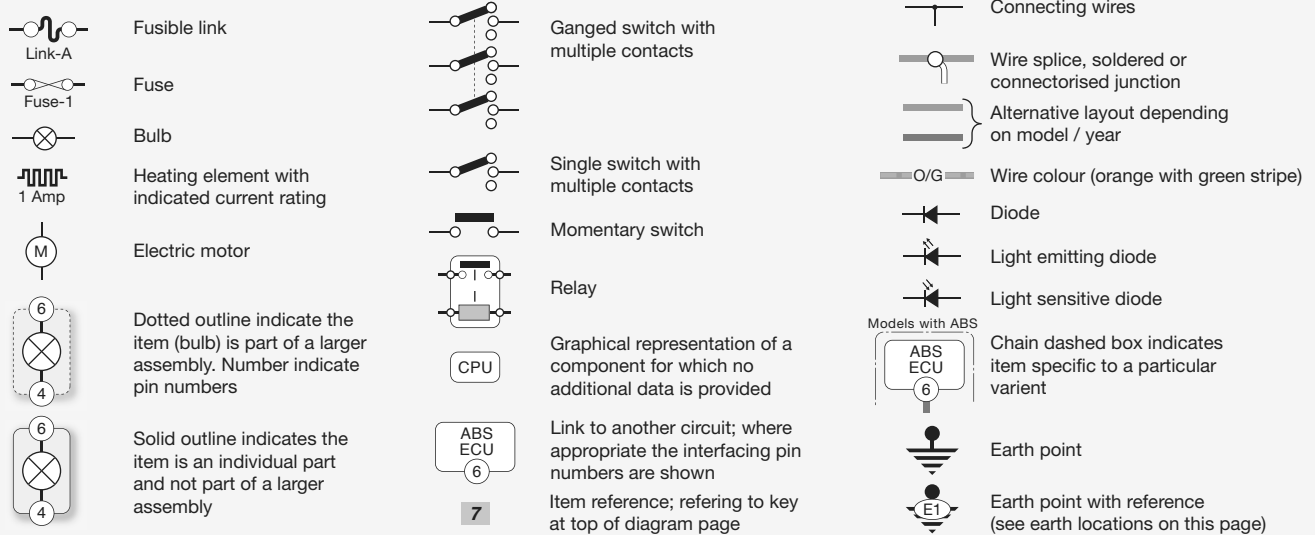


**WARNING:** This vehicle is fitted with a supplemental restraint system (SRS) consisting of a combination of driver (and passenger) airbag(s), side impact protection airbags and seatbelt pre-tensioners. The use of electrical test equipment on any SRS wiring systems may cause the seatbelt pre-tensioners to abruptly retract and airbags to explosively deploy, resulting in potentially severe personal injury. Extreme care should be taken to correctly identify any circuits to be tested to avoid choosing any of the SRS wiring in error.

For further information see airbag system precautions in body electrical systems chapter.

Note: The SRS wiring harness can normally be identified by yellow and/or orange harness or harness connectors.

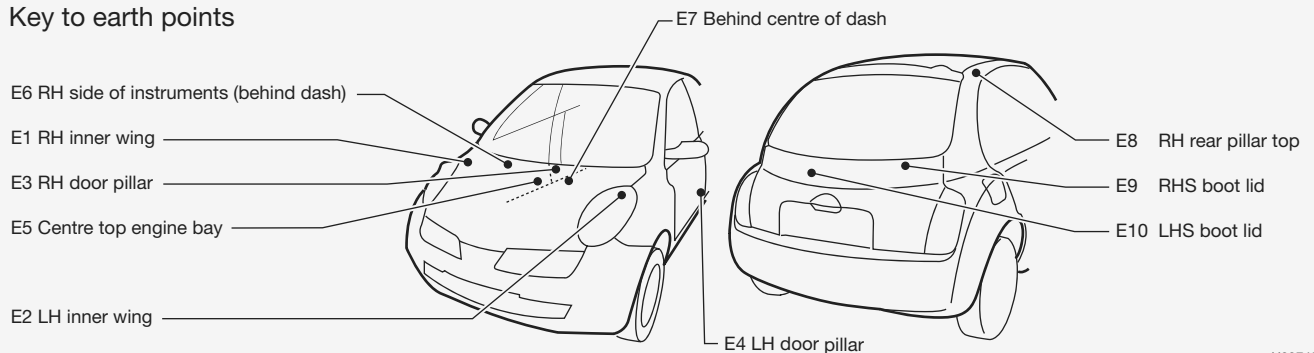
Key to symbols



Key to circuits

Diagram 1	Information on wiring diagrams	Diagram 7	Central locking, motorised door mirrors, powered windows
Diagram 2	Power distribution system	Diagram 8	Blower and air conditioning, instrument illumination
Diagram 3	Starting system, charging system, radiator fan, cigar lighter, horn, indicators and hazard warning	Diagram 9	Heated seats, motorised sunroof, ABS/ESP system
Diagram 4	Headlamps, rear fog lights, brake lights, numberplate lights, sidelights, front fog lights	Diagram 10	Typical audio system
Diagram 5	Headlamp levelling, reversing light, interior lights	Diagram 11	Instruments
Diagram 6	Windscreen wipers, screen washers, rear screen wiper, headlight washer, rear screen and door mirror heaters	Diagram 12	Fuse details

Key to earth points



H33749

Wire colours

B	Black	P	Purple
G	Green	R	Red
K	Pink	S	Grey
Lg	Light green	L	Blue
N	Brown	W	White
O	Orange	Y	Yellow
Lu	Light blue		

Key to items

- 1 Battery
- 2 Ignition switch
- 3 Fusible link holder
- 4 Fuse box
- 5 Fuse and relay box
- a) accessory relay
- b) blower motor relay

- 6 Intelligent power distribution module
- a) starter relay
- b) cooling fan hi relay
- c) cooling fan lo relay
- d) fuel pump relay
- e) ignition relay
- f) ECM relay

- g) throttle control motor relay
- h) rear window heater relay
- j) front wiper hi/lo relay
- k) front wiper main relay
- l) A/C relay
- m) tail lamp relay
- n) headlamp lo relay
- o) LH headlamp hi relay

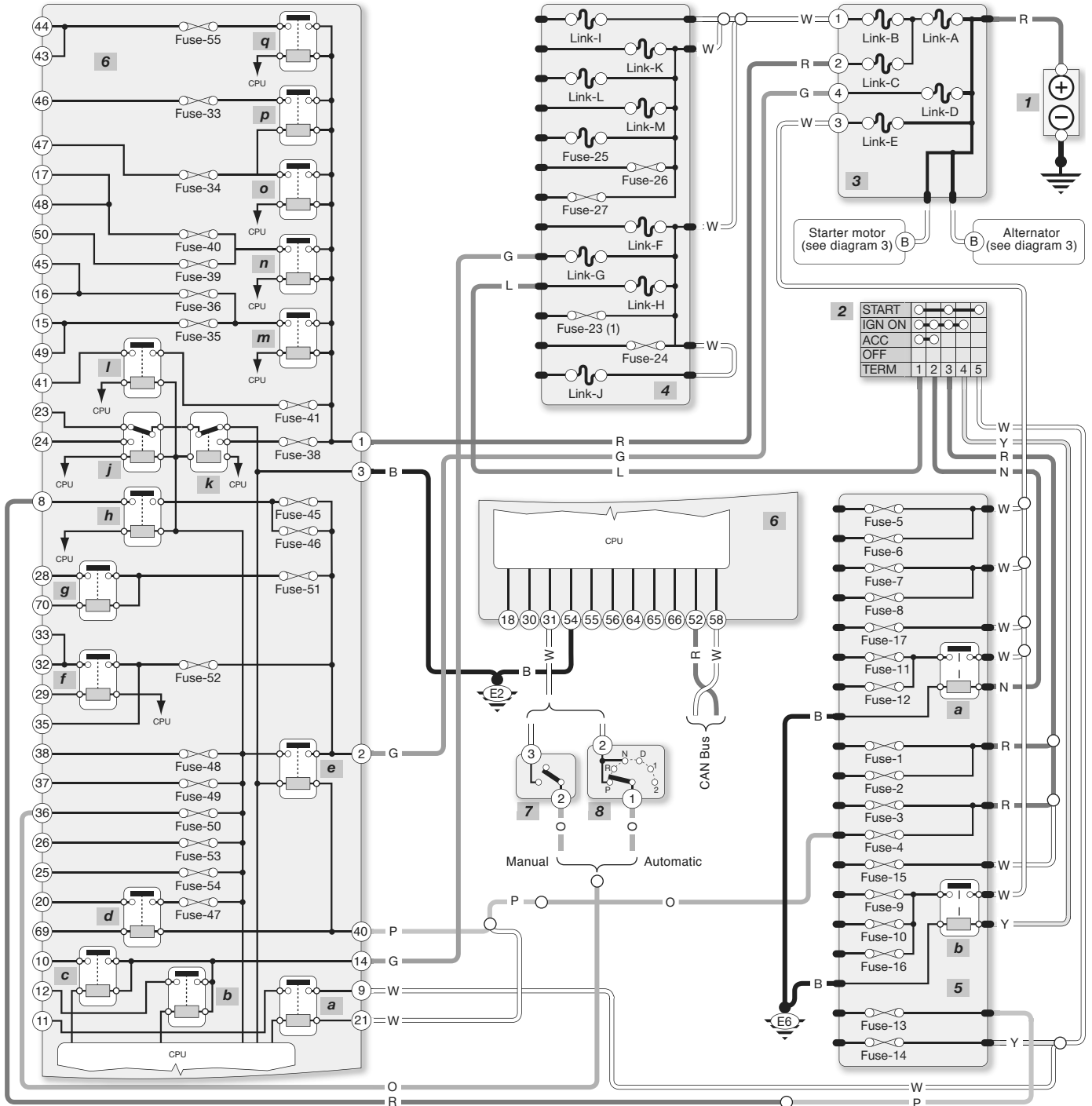
- p) RH headlamp hi relay
- q) front fog light relay
- 7 Park/neutral switch
- 8 Auto transmission selector switch

Diagram 2

H33750

Note (1) 2005 onward

Power distribution system



Wire colours

B Black	P Purple
G Green	R Red
K Pink	S Grey
Lg Light green	L Blue
N Brown	W White
O Orange	Y Yellow
Lu Light blue	

Key to items

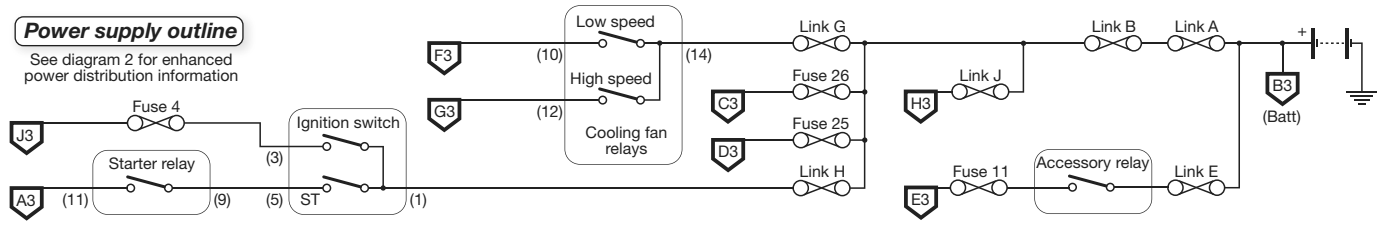
11 Starter motor	19 Horn switch	24 Side directional indicator light	27 Hazard warning switch
12 Alternator	20 Horn unit	a) LH	a) switch illumination
13 Radiator fan motor	21 Body control module	b) RH	
14 Resistor	22 Combination switch	25 Rear light cluster LH	
15 Cigar ighter	23 Front directional indicator light	a) indicator	
17 Horn relay	a) LH	26 Rear light cluster RH	
18 Rotary joint	b) RH	a) indicator	

Diagram 3

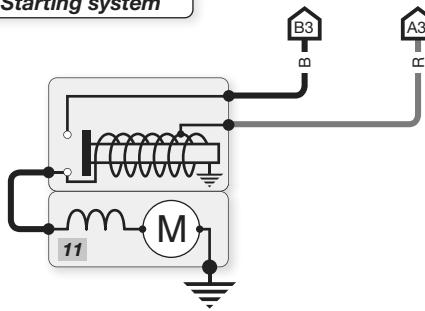
H33751

Power supply outline

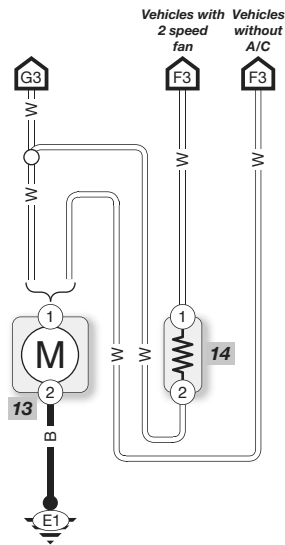
See diagram 2 for enhanced power distribution information



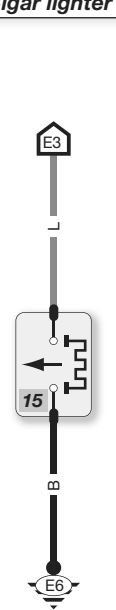
Starting system



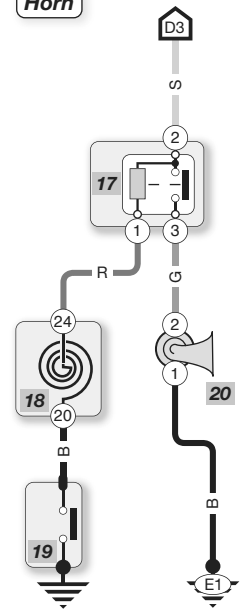
Radiator fan



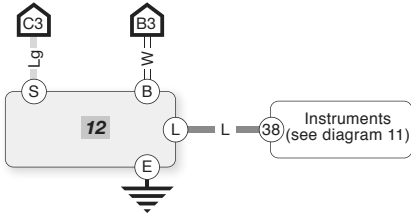
Cigar lighter



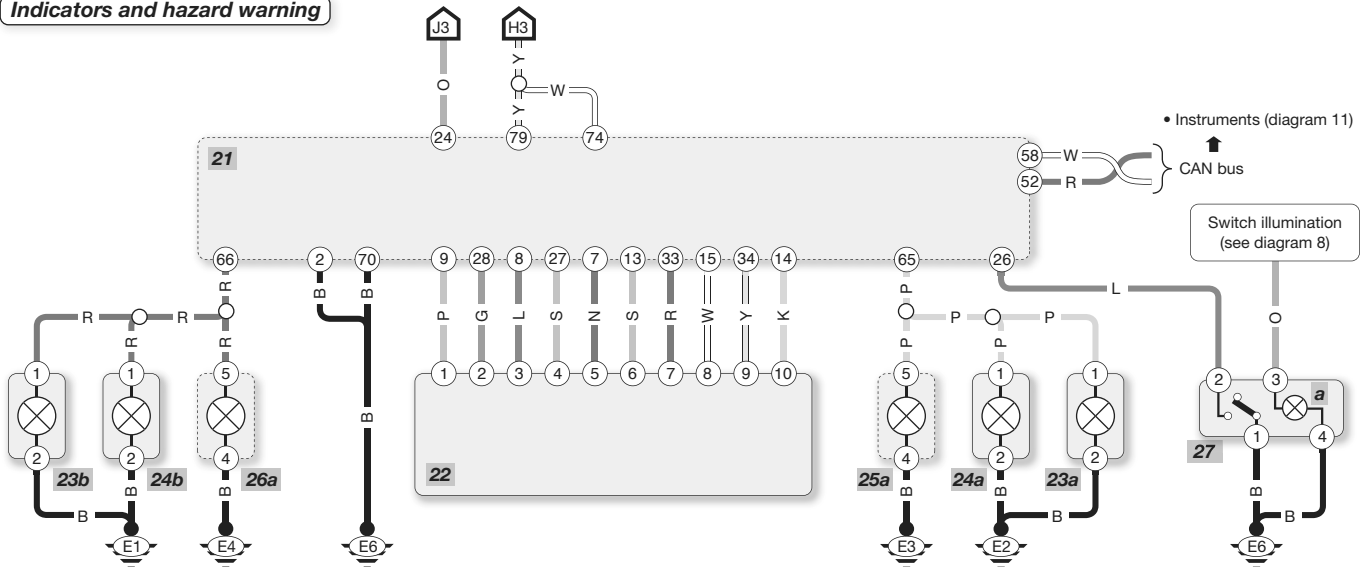
Horn



Charging system



Indicators and hazard warning



Wire colours

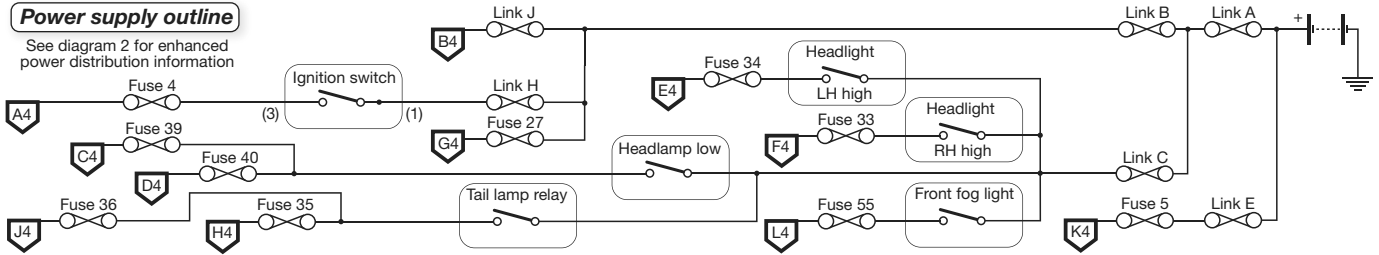
B	Black	P	Purple
G	Green	R	Red
K	Pink	S	Grey
Lg	Light green	L	Blue
N	Brown	W	White
O	Orange	Y	Yellow
Lu	Light blue		

Key to items

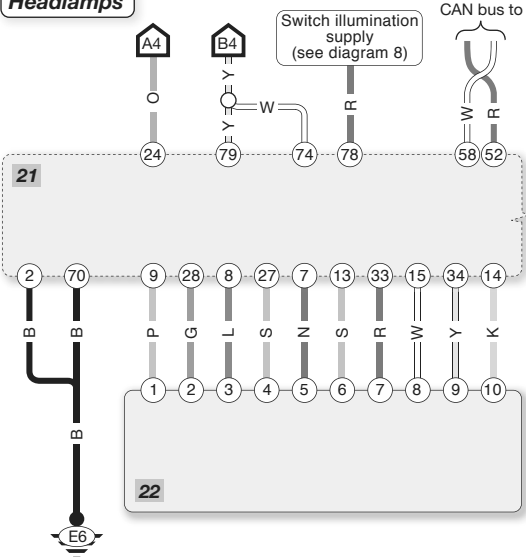
21	Body control module	26	Rear light cluster RH	33	LH front fog light	37	RH headlight
22	Combination switch	b)	brake light	34	RH front fog light	a)	high beam
25	Rear light cluster LH	c)	tail light	35	Numberplate light	b)	low beam
b)	brake light	d)	fog light	36	LH Headlight	38	Brake light switch
c)	tail light	28	Daytime light relay	a)	high beam		
		30	High level stop light	b)	low beam		
		31	LH front side light				
		32	RH front side light				

Power supply outline

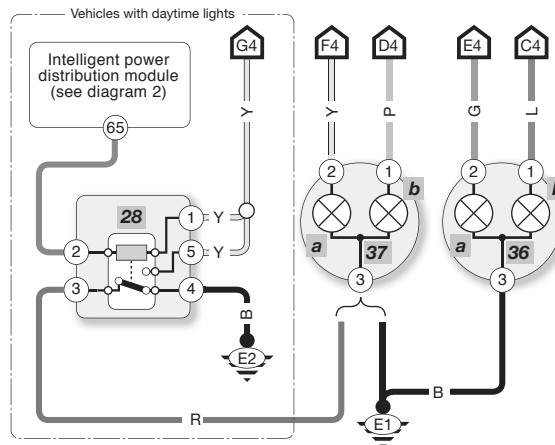
See diagram 2 for enhanced power distribution information



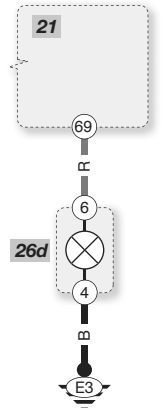
Headlamps



- Instruments (diagram 11)
- Intelligent power distribution module (diagram 2)

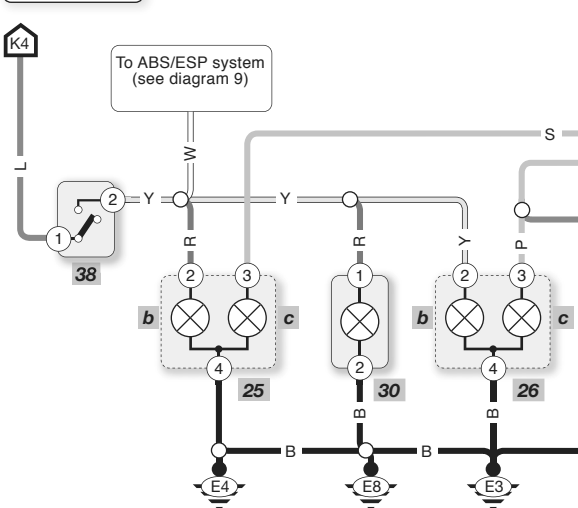


Rear fog lights

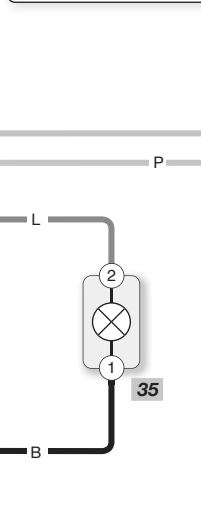


Note items 21 & 22 common to all diagrams on this page

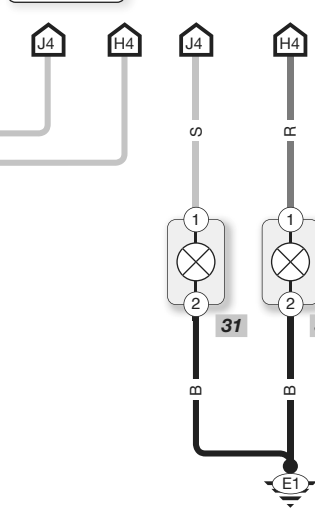
Brake lights



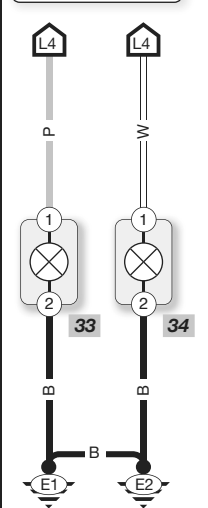
Numberplate light



Sidelights



Front fog lights



Wire colours

B Black	P Purple
G Green	R Red
K Pink	S Grey
Lg Light green	L Blue
N Brown	W White
O Orange	Y Yellow
Lu Light blue	

Key to items

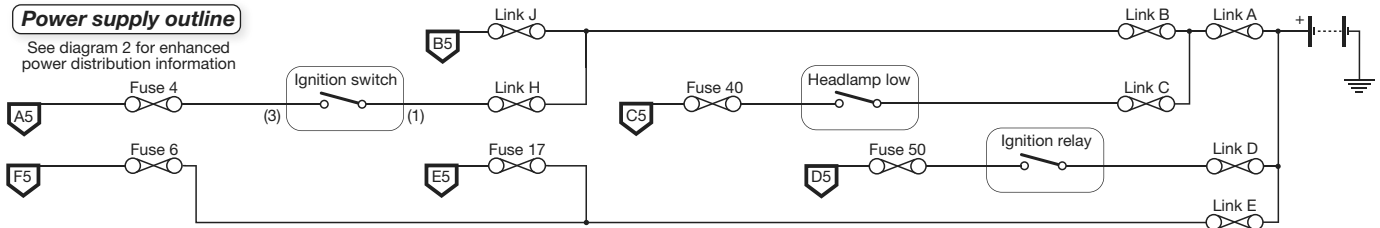
6 Intelligent fuse box	25 Rear light cluster LH	44 Key switch and ignition knob	50 Luggage space light
7 Park/neutral switch	d) reversing light	switch	51 Rear door release
8 Auto transmission	40 LH Headlight aiming motor	45 LH front door switch	actuator
selector switch	41 RH Headlight aiming motor	46 LH rear door switch	
21 Body control module	42 Headlight aiming switch	47 RH front door switch	
22 Combination switch	43 Key switch	48 RH rear door switch	
		49 Interior light	

Diagram 5

H33753

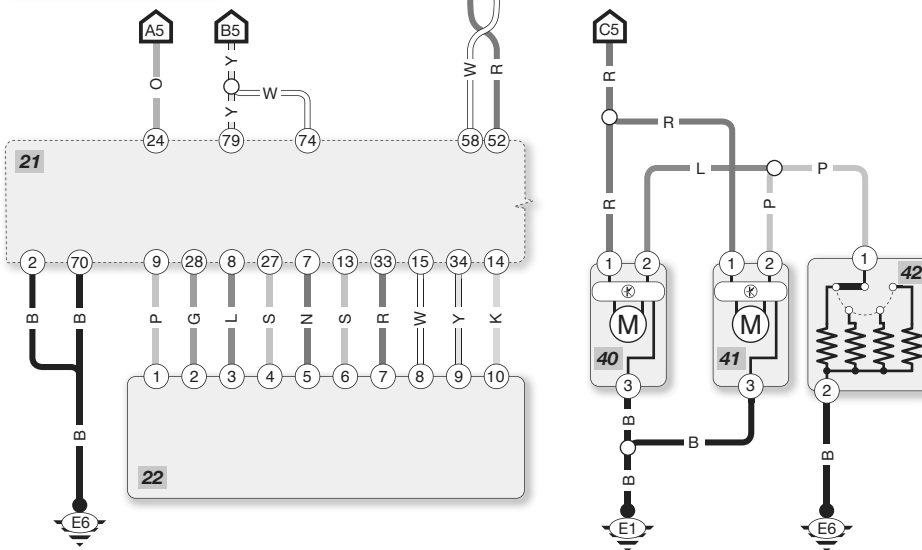
Power supply outline

See diagram 2 for enhanced power distribution information

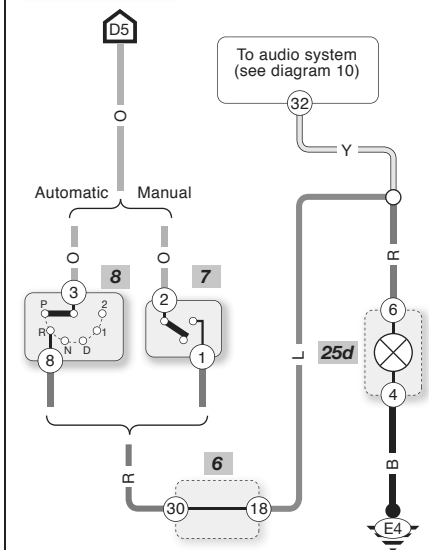


Headlamp levelling

CAN bus to Intelligent power distribution module (diagram 2)

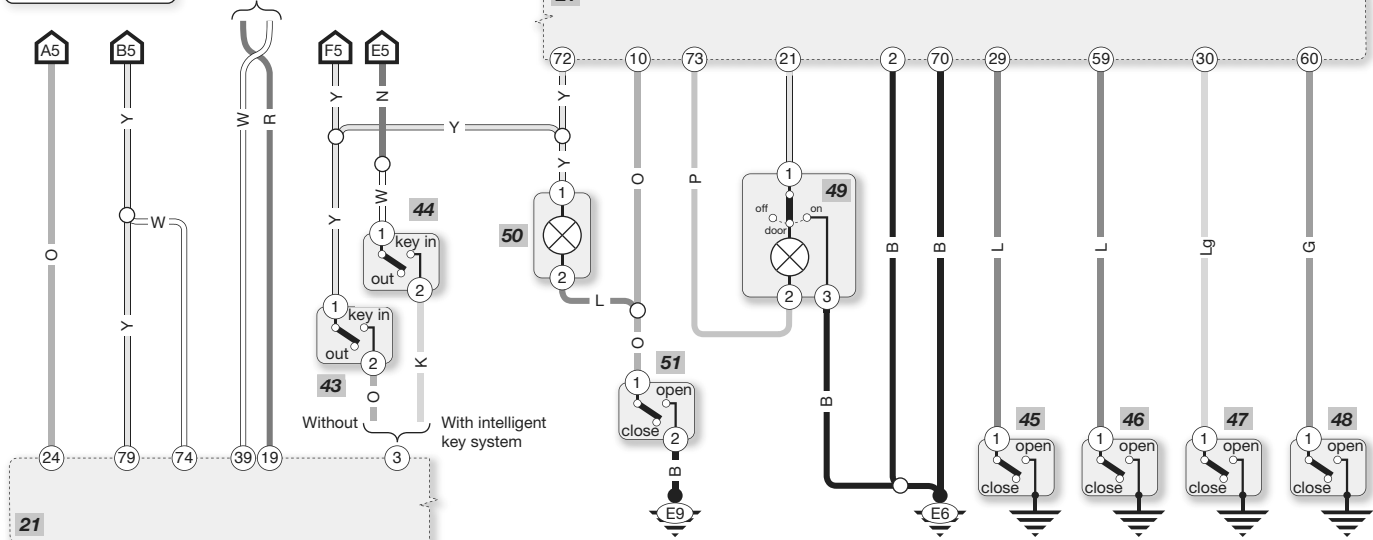


Reversing light



Interior lighting

CAN bus to Intelligent key unit



Wire colours

B Black	P Purple
G Green	R Red
K Pink	S Grey
Lg Light green	L Blue
N Brown	W White
O Orange	Y Yellow
Lu Light blue	

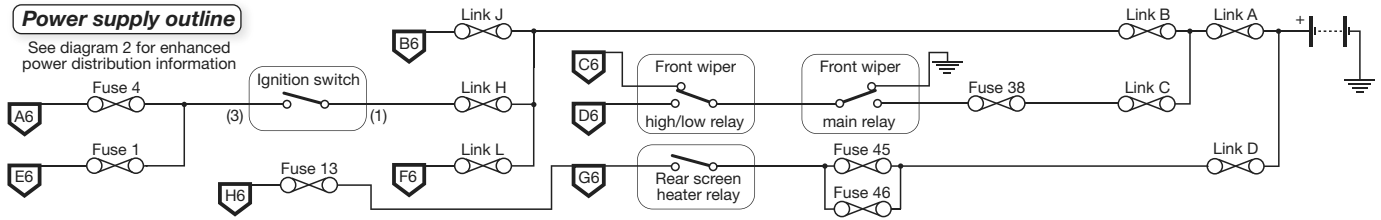
Key to items

21 Body control module	60 Headlamp washer switch	66 Heater control panel
22 Combination switch	61 Washer pump	a) rear window heater switch
55 Rain sensor	63 Rear screen heater	b) rear window heater indicator
56 Front screen wiper motor	64 Passenger door mirror heater	c) switch illumination
57 Screen washer pump	65 Drivers door mirror heater	67 Air conditioning automatic control unit (As 66 above)
58 Rear screen wiper motor		
59 Headlamp washer relay		

H33754

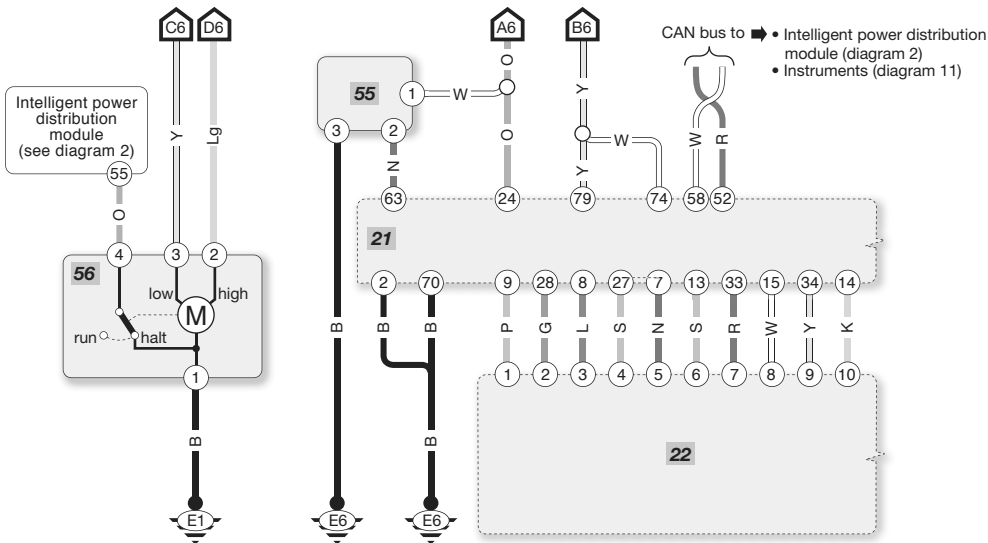
Power supply outline

See diagram 2 for enhanced power distribution information

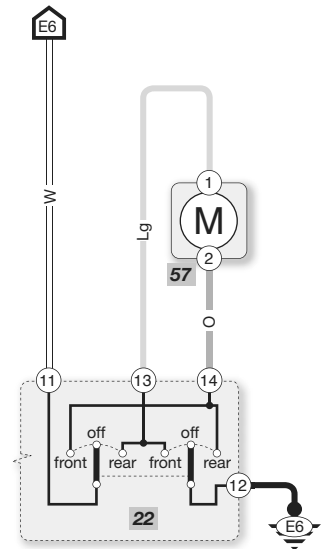


Windscreen wipers

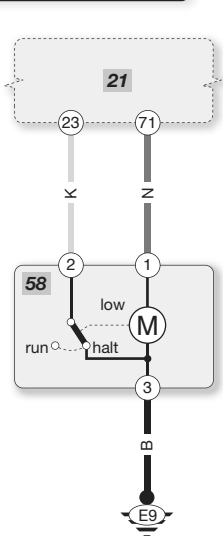
- Item 21 CAN bus and power supply wiring are common to other diagrams on this page marked †
- Item 22 wiring common to other diagrams on this page if marked †



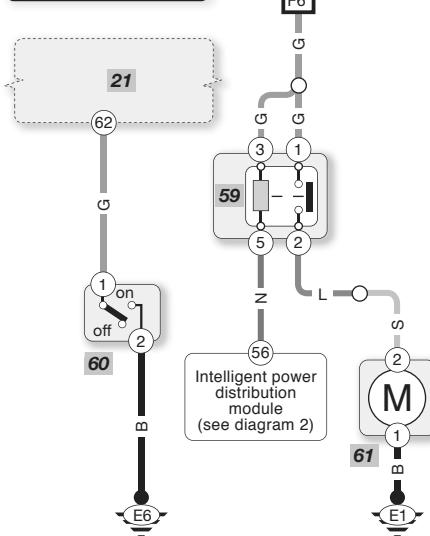
Screen washers



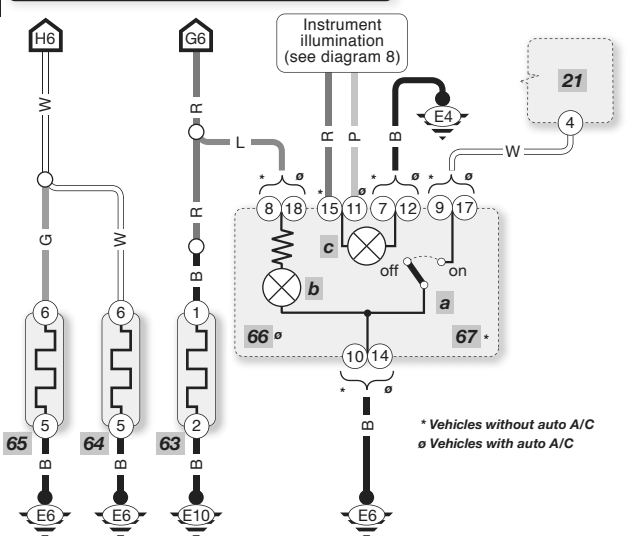
Rear screen wiper †f



Headlight washer †f



Rear screen and door mirror heaters †



\* Vehicles without auto A/C  
o Vehicles with auto A/C

Wire colours

B Black	P Purple
G Green	R Red
K Pink	S Grey
Lg Light green	L Blue
N Brown	W White
O Orange	Y Yellow
Lu Light blue	

Key to items

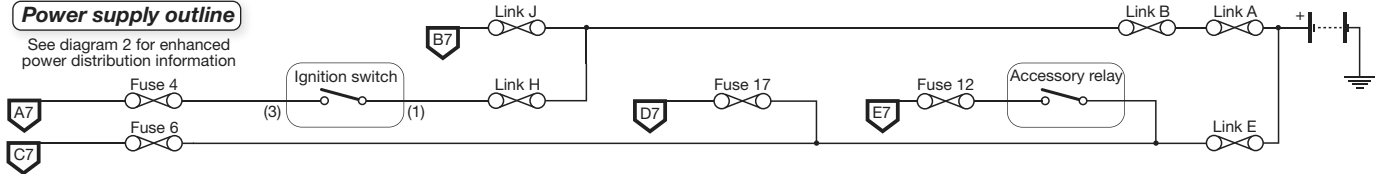
21 Body control module	71 Boot lid switch
43 Key switch	a) switch
44 Key switch and ignition knob switch	b) release actuator
68 Intelligent key unit	72 Drivers door lock actuator
69 Door lock/unlock switch	73 Passenger door lock actuator
a) lock status indicator	74 RH rear door lock actuator
b) interior switch illuminator	75 LH rear door lock actuator
70 External boot lid release switch	

Diagram 7

H3755

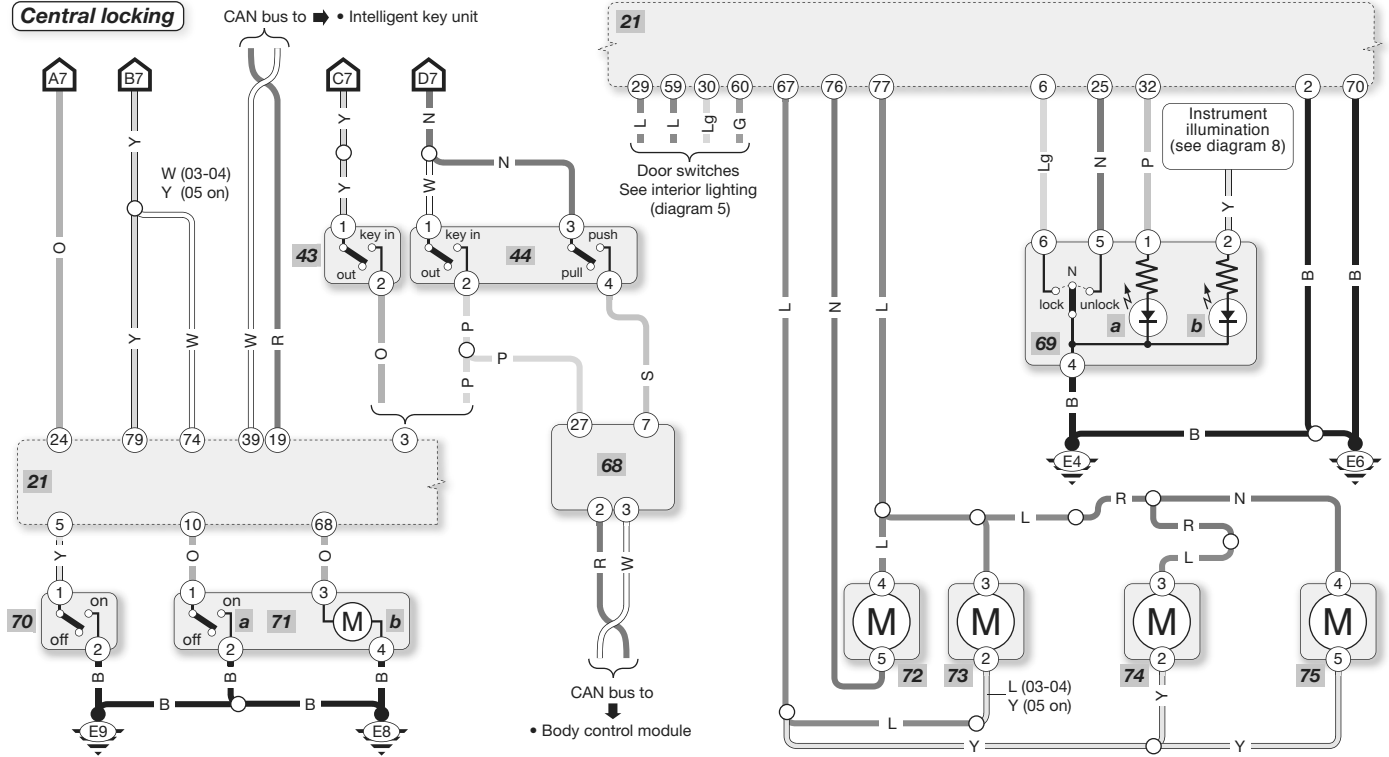
Power supply outline

See diagram 2 for enhanced power distribution information

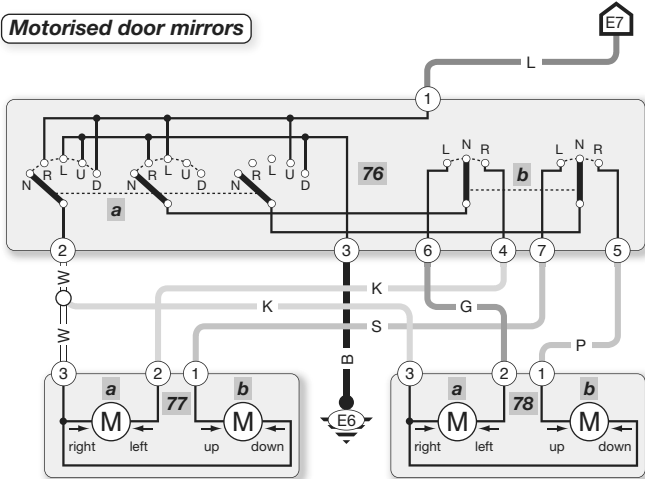


Central locking

CAN bus to Intelligent key unit

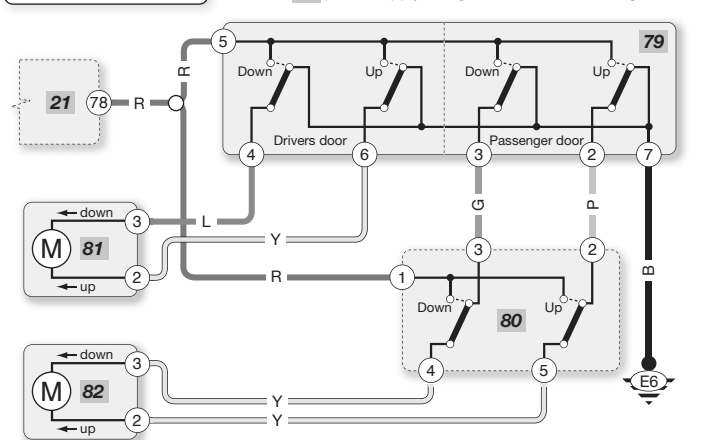


Motorised door mirrors



Powered windows

Note item 21 power supply and ground as central locking above



Wire colours

B	Black	P	Purple
G	Green	R	Red
K	Pink	S	Grey
Lg	Light green	L	Blue
N	Brown	W	White
O	Orange	Y	Yellow
Lu	Light blue		

Key to items

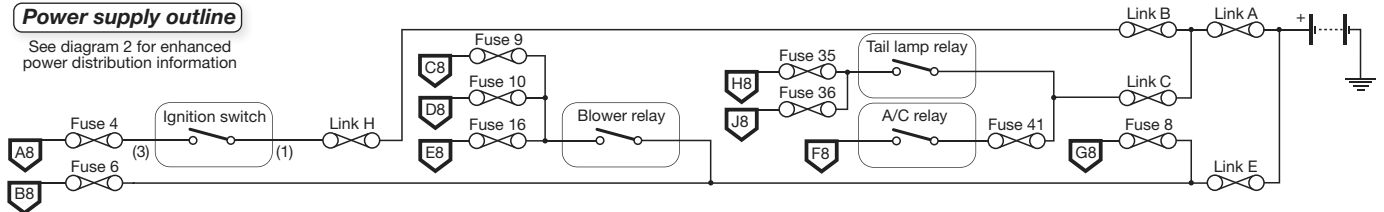
- |    |                           |    |   |    |                              |
|----|---------------------------|----|---|----|------------------------------|
| 8  | A/T selector switch       | 67 | Air conditioning automatic control unit | 89 | Refrigerant pressure sensor  |
| a) | illumination              | 79 | Power window main switch                | 90 | Mode door operating motor    |
| 21 | Body control module       | a) | drivers side illumination               | 91 | Air mix door operating motor |
| 42 | Headlamp levelling switch | b) | passenger side illumination             | 92 | Intake door operating motor  |
| a) | illumination              | 80 | Front passenger window switch           | 93 | Ambient temperature sensor   |
| 60 | Headlamp washer switch    | a) | illumination                            | 94 | In car temperature sensor    |
| a) | illumination              | 84 | Sun load sensor                         | 95 | Intake temperature sensor    |
| 66 | Heater control panel      | 85 | Blower motor                            | 97 | Blower control unit          |
| c) | A/C indicator             | 86 | Resistor pack and thermo fuse           | 98 | Ashtray illumination         |
| d) | A/C switch                | 87 | Thermal control unit                    | 99 | ESP switch                   |
| e) | Blower control            | 88 | Compressor pump                         | a) | illumination                 |

Diagram 8

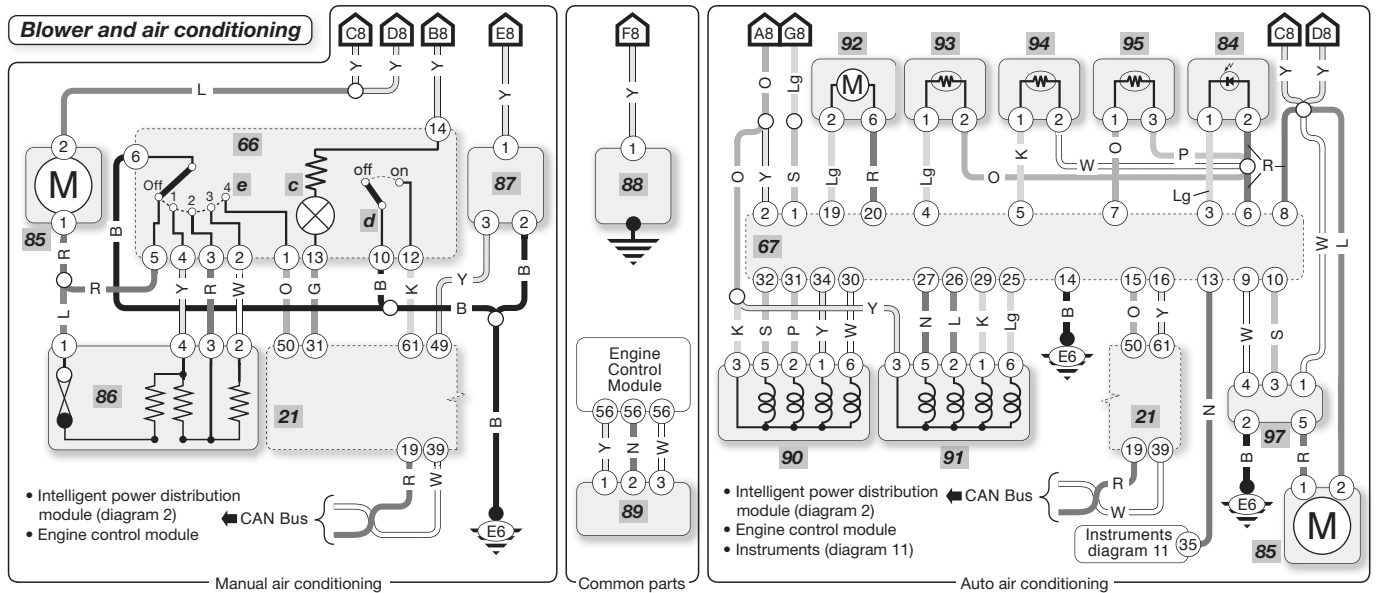
H33756

Power supply outline

See diagram 2 for enhanced power distribution information



Blower and air conditioning



Instrument illumination

f with ESP  
# without ESP  
\* with air conditioning  
Δ without air conditioning

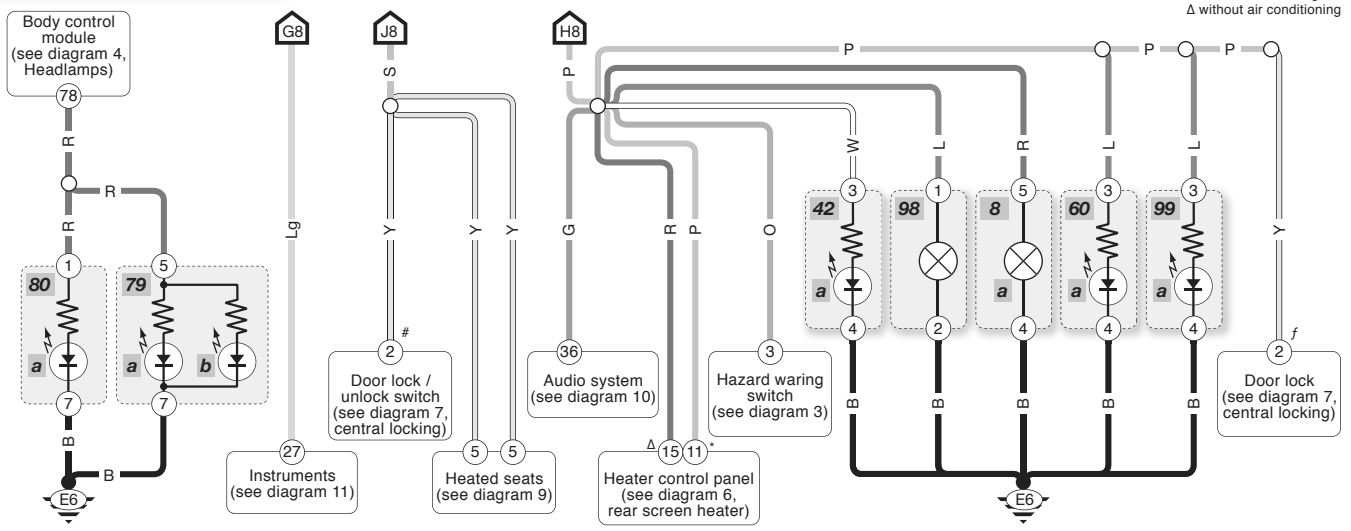




Diagram 9

Wire colours

B	Black	P	Purple
G	Green	R	Red
K	Pink	S	Grey
Lg	Light green	L	Blue
N	Brown	W	White
O	Orange	Y	Yellow
Lu	Light blue		

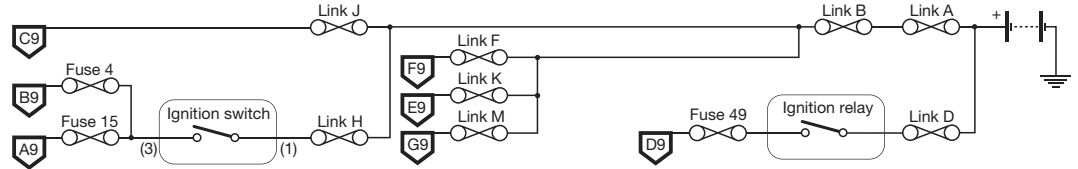
Key to items

21	Body control module	104	LH seat heater	107	Sunroof switch
99	ESP switch	a)	cushion heater and sub heater	108	ABS actuator and electronics unit
102	LH seat heater switch	b)	seat back heater and sub heater	109	Yaw rate/side G sensor
a)	indicator sitch	c)	thermoswitch	110	Electronic power steering control unit (EPS)
b)	switch illumination	105	RH seat heater (as 104 above)	111	LH front wheel sensor
103	RH seat heater switch (as 102 above)	106	Sunroof motor	112	RH front wheel sensor
				113	LH rear wheel sensor
				114	RH rear wheel sensor

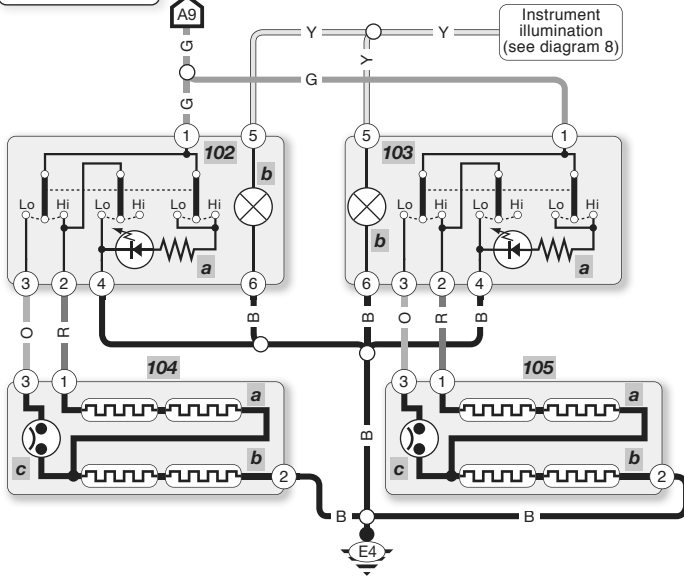
H33757

Power supply outline

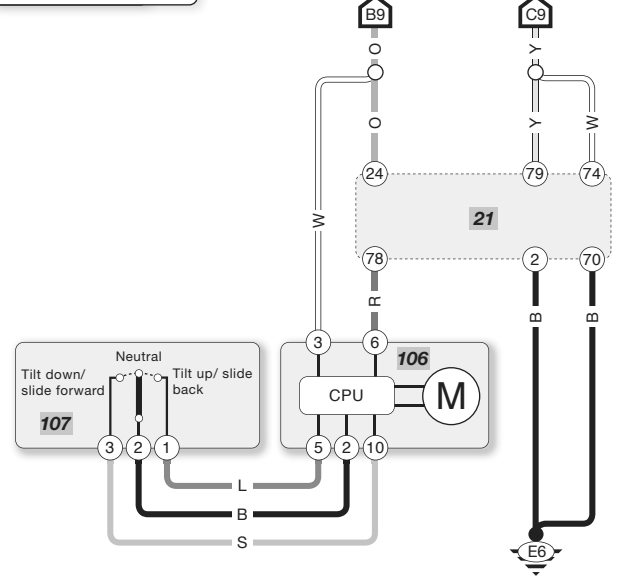
See diagram 2 for enhanced power distribution information



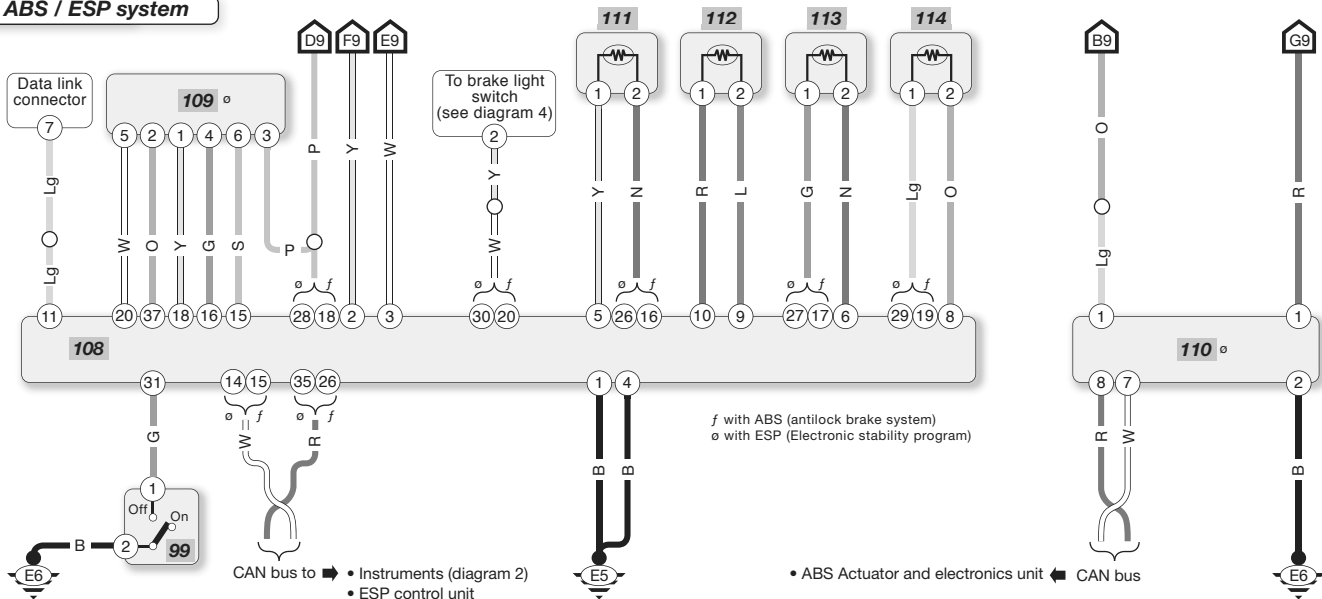
Heated seats



Motorised sunroof



ABS / ESP system



Wire colours

B Black	P Purple
G Green	R Red
K Pink	S Grey
Lg Light green	L Blue
N Brown	W White
O Orange	Y Yellow
Lu Light blue	

Key to items

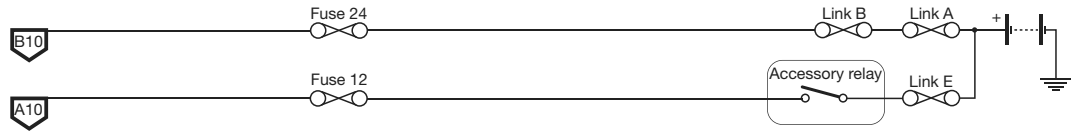
18	Rotary joint
117	Audio control unit (and navigation where applicable)
118	LH front door speaker
119	LH door tweeter
120	RH front door speaker
121	RH door tweeter
122	LH rear door speaker
123	RH rear door speaker

124	Steering wheel control switches
a)	mode switch
b)	seek switch
c)	volume switch
125	GPS antenna

H33758

Power supply outline

See diagram 2 for enhanced power distribution information



Typical audio system

including models with navigation

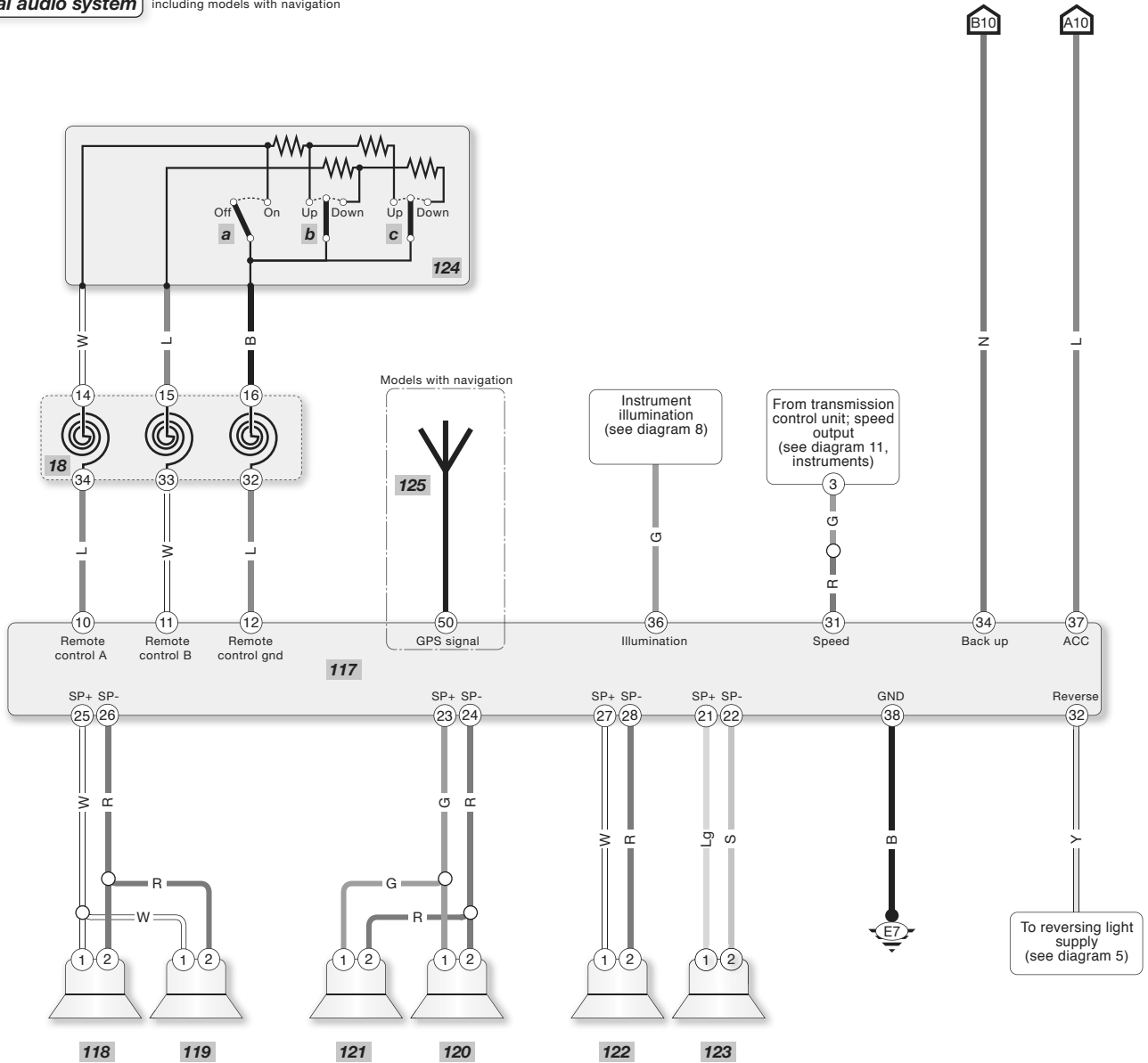


Diagram 11

Wire colours

B	Black	P	Purple
G	Green	R	Red
K	Pink	S	Grey
Lg	Light green	L	Blue
N	Brown	W	White
O	Orange	Y	Yellow
Lu	Light blue		

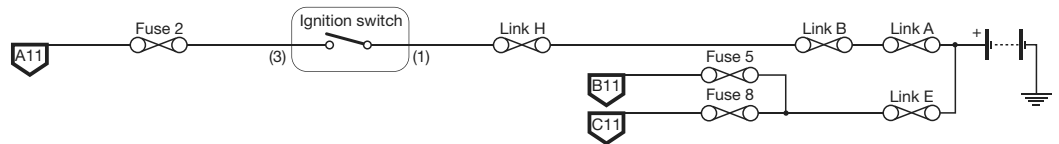
Key to items

18	Rotary joint	134	Parking brake switch
38	Brake light switch	135	Fuel level sensor
124	Steering wheel control switches d) drive computer on/off switch		
128	Main instrument unit		
129	Seatbelt switch		
130	Brake fluid level switch		
131	Ambient temperature sensor		
133	A/T overdrive switch		

H33759

Power supply outline

See diagram 2 for enhanced power distribution information



Instruments

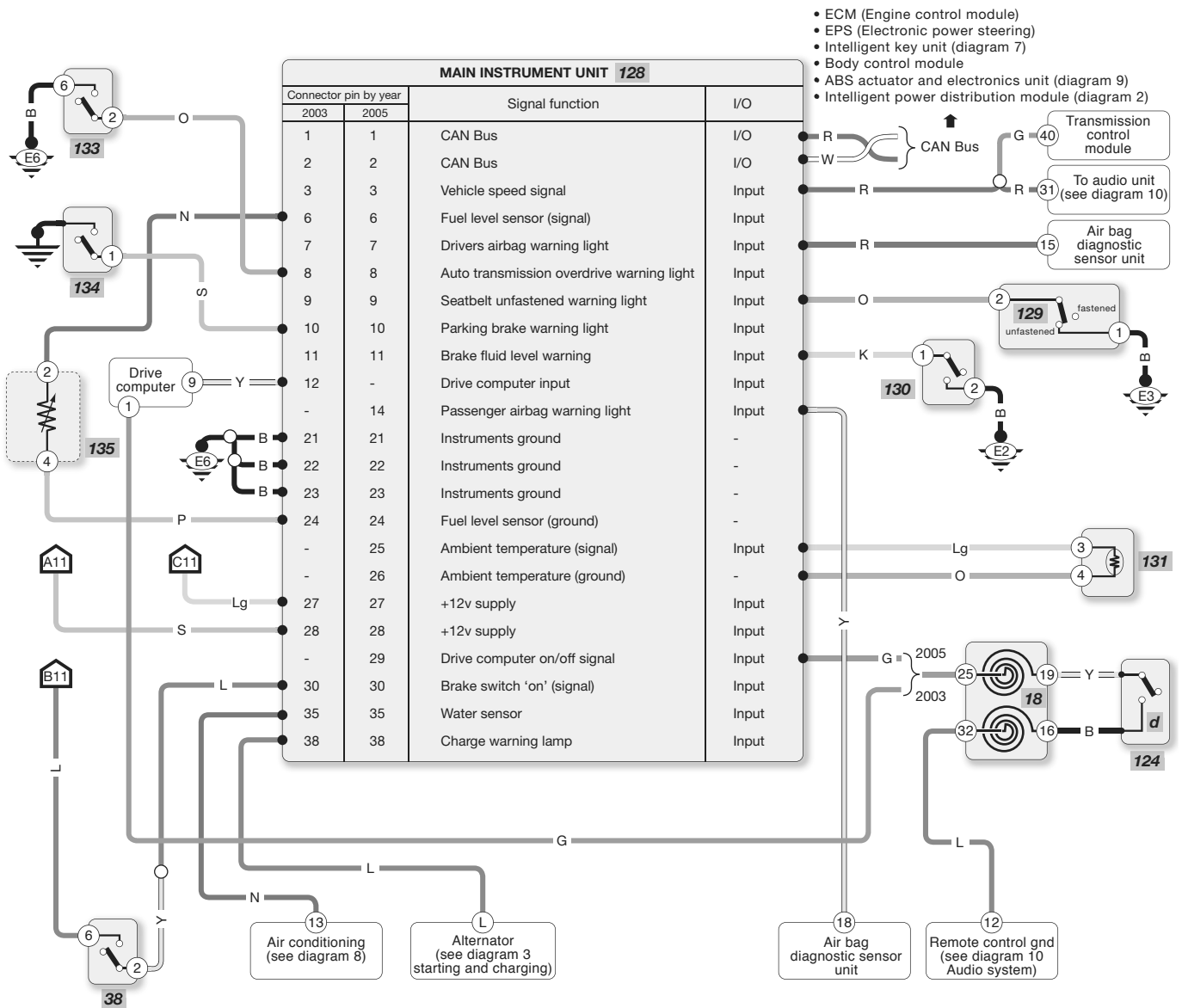


Diagram 12

Fusible link holder **3** (engine bay)

Link	Rating	Function
A	250A	Main link fuse
B	80A	Supply to fuse box
C	80A	Supply to intelligent power distribution module
D	80A	Supply to intelligent power distribution module
E	60A	Supply to fuse and relay box

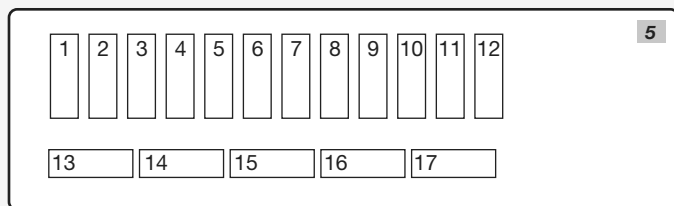
Fuse box **4** (engine bay)

Link	Rating	Function
F	40A	ABS and ESP systems
G	40A	Cooling fan
H	40A	Ignition switch supply
I	40A	Folding roof and PTC heaters (option)
J	40A	Body control module
K	30A	ABS and ESP systems
L	30A	Headlamp washer
M	60A	ESP and EPS systems

Fuse	Rating	Function
23	15A	Windows and folding roof
24	15A	Audio and Navi system
25	10A	Horn
26	10A	Charging system
27	10A	Daytime lights

Fuseblock junction box **5** (engine bay)

Fuse	Rating	Function
1	15A	Front/rear washer/wiper system
2	10A	Instruments
3	10A	Supplemental restraint system
4	10A	Body control module, A/C auto control module, EPS system
5	10A	Brake lights
6	10A	Central locking
7	10A	Combination switch
8	10A	Instrument illumination
9	15A	Heater blower, A/C
10	15A	Heater blower, A/C
11	15A	Cigar lighter
12	10A	Door mirrors, Audio system
13	10A	Door mirror heaters
14	10A	Daytime lights
15	10A	Heated seats
16	10A	PTC heaters (option)
17	10A	Central locking



Intelligent power distribution module **6** (engine bay)

Fuse	Rating	Function
33	10A	Headlamp high beam RH
34	10A	Headlamp high beam LH
35	10A	Sidelights, interior illumination
36	10A	Sidelights, interior illumination
38	20A	Windscreen wipers
39	15A	Headlamp low beam
40	15A	Headlamp low beam
41	10A	Air conditioning (A/C)
45	15A	Heated rear screen
46	15A	Heated rear screen
47	15A	Fuel pump
48	10A	Engine electronics
49	10A	ABS/ESP
50	10A	Starting system, reversing light
51	20A	Engine electronics
52	20A	Engine electronics
53	10A	Engine electronics
54	10A	Engine electronics
55	20A	Front fog lights

