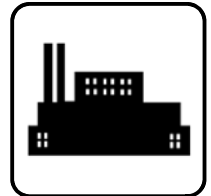


# Wiring Diagrams

## Industrial Generator Sets



Models:

**350-500REOZJ**  
**350-500REOZJB**

Controllers:

Decision-Maker® 550  
Decision-Maker® 3000  
Decision-Maker® 6000

**KOHLER**  
Power Systems

**ISO 9001**  
**KOHLER**  
POWER SYSTEMS  
NATIONALLY REGISTERED

TP-6797 1/13b



This manual provides wiring diagrams for the 350-500REOZJ and 350-500REOZJB generator sets equipped with one of the following controllers:

- Decision-Maker® 550
- Decision-Maker® 3000
- Decision-Maker® 6000

Information in this publication represents data available at the time of print. Kohler Co. reserves the right to change this publication and the products represented without notice and without any obligation or liability whatsoever.

---

## Service Assistance

---

For professional advice on generator set power requirements and conscientious service, please contact your nearest Kohler distributor or dealer.

- Consult the Yellow Pages under the heading Generators—Electric.
- Visit the Kohler Power Systems website at KohlerPower.com.
- Look at the labels and stickers on your Kohler product or review the appropriate literature or documents included with the product.
- Call toll free in the US and Canada 1-800-544-2444.
- Outside the US and Canada, call the nearest regional office.

### **Headquarters Europe, Middle East, Africa (EMEA)**

Kohler Power Systems  
3 rue de Brennus  
93200 Saint Denis  
France  
Phone: (33) 1 49 178300  
Fax: (33) 1 49 178301

### **Asia Pacific**

Power Systems Asia Pacific Regional Office  
Singapore, Republic of Singapore  
Phone: (65) 6264-6422  
Fax: (65) 6264-6455

### **China**

North China Regional Office, Beijing  
Phone: (86) 10 6518 7950  
(86) 10 6518 7951  
(86) 10 6518 7952  
Fax: (86) 10 6518 7955

East China Regional Office, Shanghai  
Phone: (86) 21 6288 0500  
Fax: (86) 21 6288 0550

### **India, Bangladesh, Sri Lanka**

India Regional Office  
Bangalore, India  
Phone: (91) 80 3366208  
(91) 80 3366231  
Fax: (91) 80 3315972

### **Japan, Korea**

North Asia Regional Office  
Tokyo, Japan  
Phone: (81) 3440-4515  
Fax: (81) 3440-2727

### **Latin America**

Latin America Regional Office  
Lakeland, Florida, USA  
Phone: (863) 619-7568  
Fax: (863) 701-7131

# Wiring Diagrams

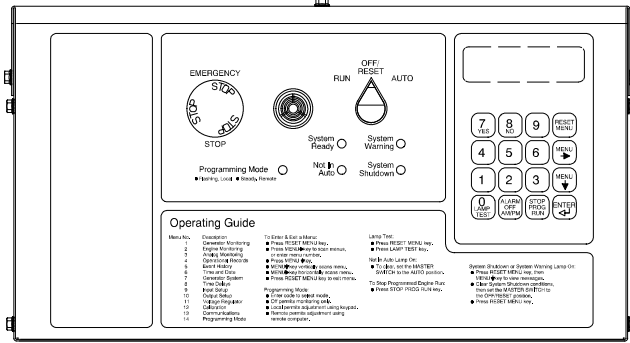
Use the Wiring Diagram Cross-Reference chart to determine the wiring diagram version number for a given model number and spec number. Then find that version number and the controller type on the Wiring Diagrams Reference chart to determine the wiring diagram numbers for your unit. Refer to Controller Identification for controller type identification, if necessary.

## Wiring Diagram Cross-Reference

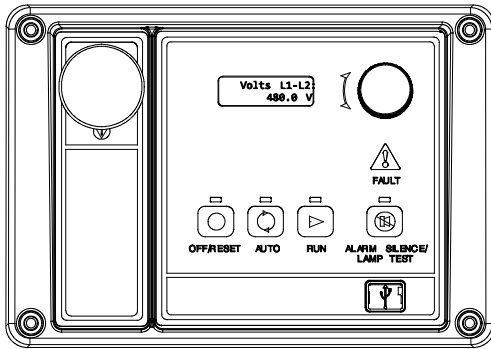
| Generator Set Model No. | Hz | Generator Set Spec No. | Wiring Diagram Version No. |
|-------------------------|----|------------------------|----------------------------|
| 350REOZJ                | 60 | GM76156-GA1            | 1                          |
| 350REOZJB               | 60 | GM85455-GA1            | 1                          |
| 400REOZJ                | 60 | GM76156-GA2            | 1                          |
| 400REOZJB               | 60 | GM85455-GA2            | 1                          |
| 500REOZJ                | 60 | GM76157-GA2            | 1                          |
| 500REOZJB               | 60 | GM85455-GA3            | 1                          |

## 350-500REOZJ and 350-500REOZJB Wiring Diagrams Reference

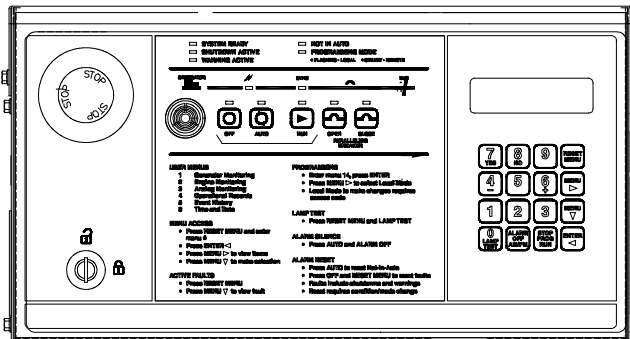
| Controller Description                    | Version 1   | Page |
|---|-------------|------|
| <b>Decision-Maker® 550 Controller</b>     |             |      |
| Point-to-Point Wiring Diagram             |             |      |
| Sheet 1                                   | GM77988A-   | 14   |
| Sheet 2                                   | GM77988B-   | 15   |
| Schematic Diagram                         |             |      |
| Sheet 1                                   | ADV-7999A-  | 8    |
| Sheet 2                                   | ADV-7999B-  | 9    |
| Accessory Connections                     |             |      |
| Sheet 1                                   | GM78247A-D  | 19   |
| Sheet 2                                   | GM78247C-D  | 21   |
| Sheet 3                                   | GM78247D-D  | 22   |
| <b>Decision-Maker® 3000 Controller</b>    |             |      |
| Point-to-Point Wiring Diagram             |             |      |
| Sheet 1                                   | GM77987A-A  | 12   |
| Sheet 2                                   | GM77987B-A  | 13   |
| Schematic Diagram                         |             |      |
| Sheet 1                                   | ADV-8000-A  | 10   |
| Accessory Connections                     |             |      |
| Sheet 1                                   | GM78246-    | 18   |
| <b>Decision-Maker® 6000 Controller</b>    |             |      |
| Point-to-Point Wiring Diagram             |             |      |
| Sheet 1                                   | GM77989A-C  | 16   |
| Sheet 2                                   | GM77989B-C  | 17   |
| Schematic Diagram                         |             |      |
| Sheet 1                                   | ADV-8001A-C | 11   |
| Accessory Connections                     |             |      |
| Sheet 1                                   | GM78247B-D  | 20   |
| Sheet 2                                   | GM78247C-D  | 22   |
| <b>Alternator Reconnections</b>           |             |      |
| Pilot-Excited Permanent Magnet Alternator | ADV-5875D-P | 7    |



**Decision-Maker® 550 Controller**



**Decision-Maker® 3000 Controller**

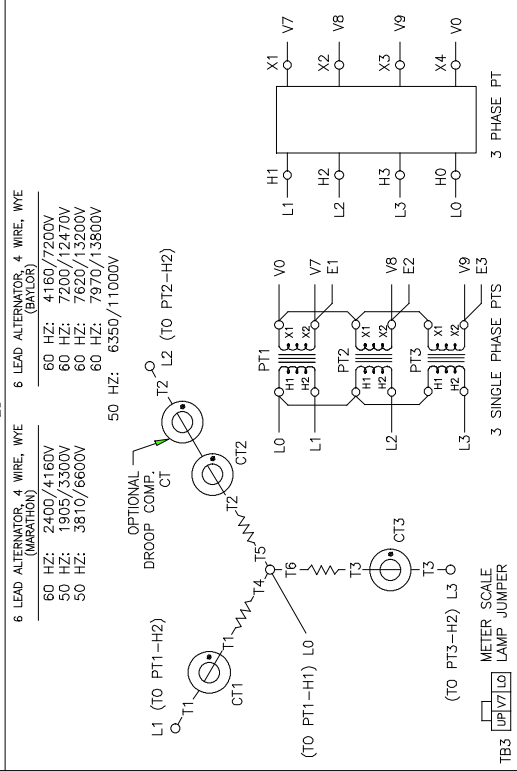
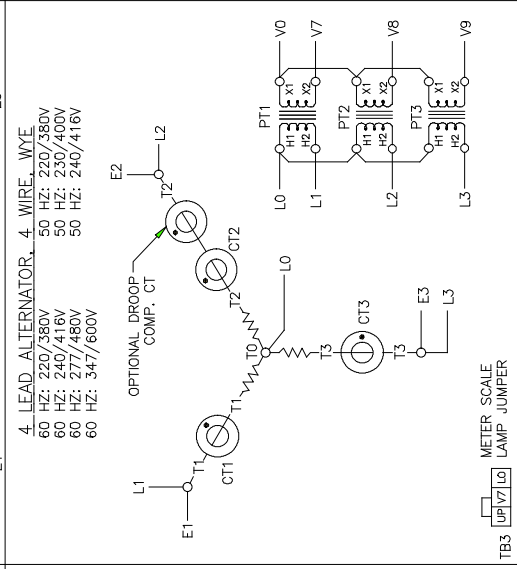
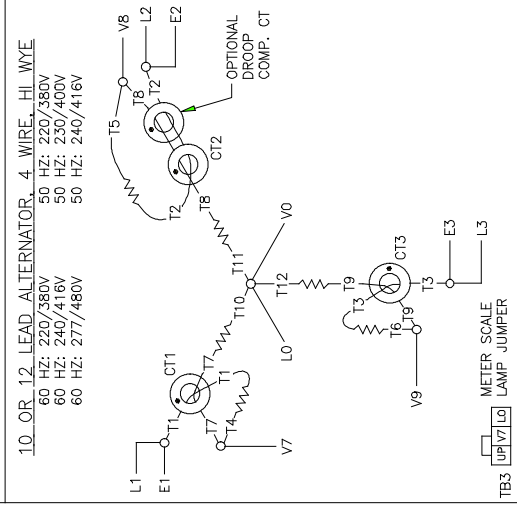
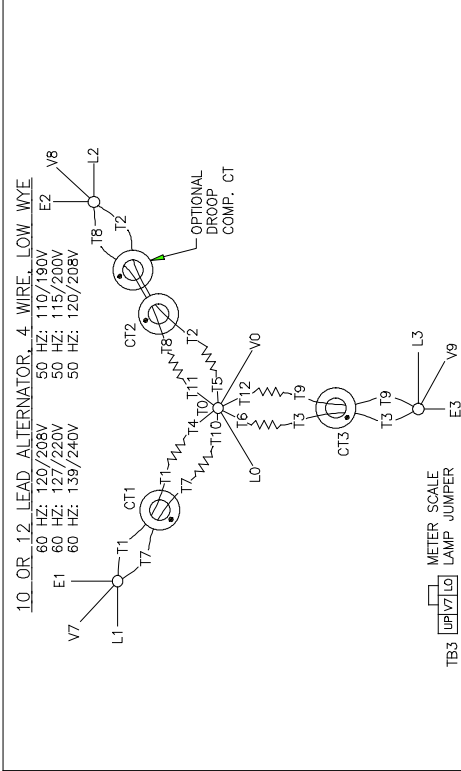
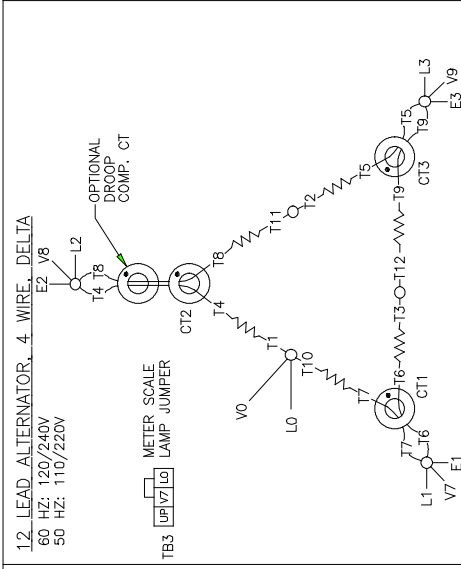
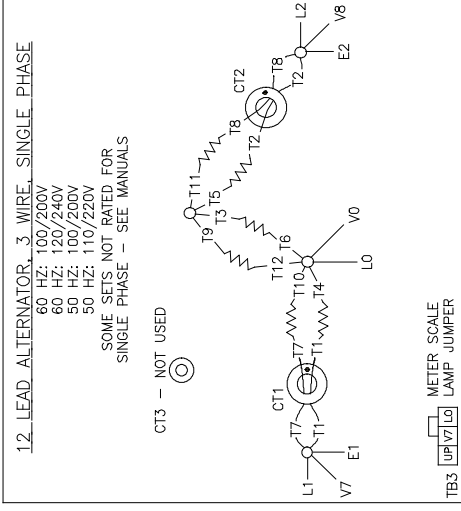


**Decision-Maker® 6000 Controller**

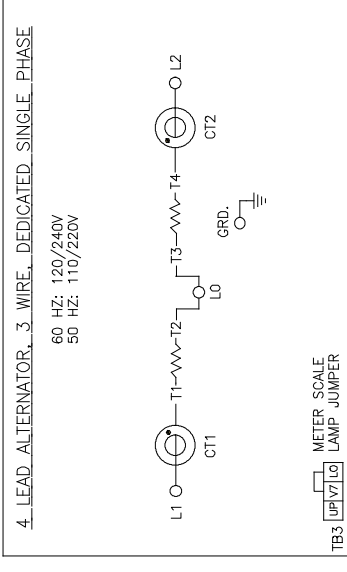
# Notes

| REV | DATE     | REVISION   |
|-----|----------|--|
| K   | 9-9-06   | SEE SHEET 2 [86307]                              |
| L   | 11-19-08 | SEE SHEET 3 [86648]                              |
| M   | 6-28-10  | (C.D.-1 & -2) SINGLE PHASE GENERATOR CONNECTIONS |
|     |          | ADDED [86870]                                    |
| N   | 1-25-12  | SEE SHEET 1 [92717]                              |
| P   | 5-22-12  | SHEET 5 ADDED [CT14983]                          |

3 PHASE GENERATOR CONNECTIONS



SINGLE PHASE GENERATOR CONNECTIONS



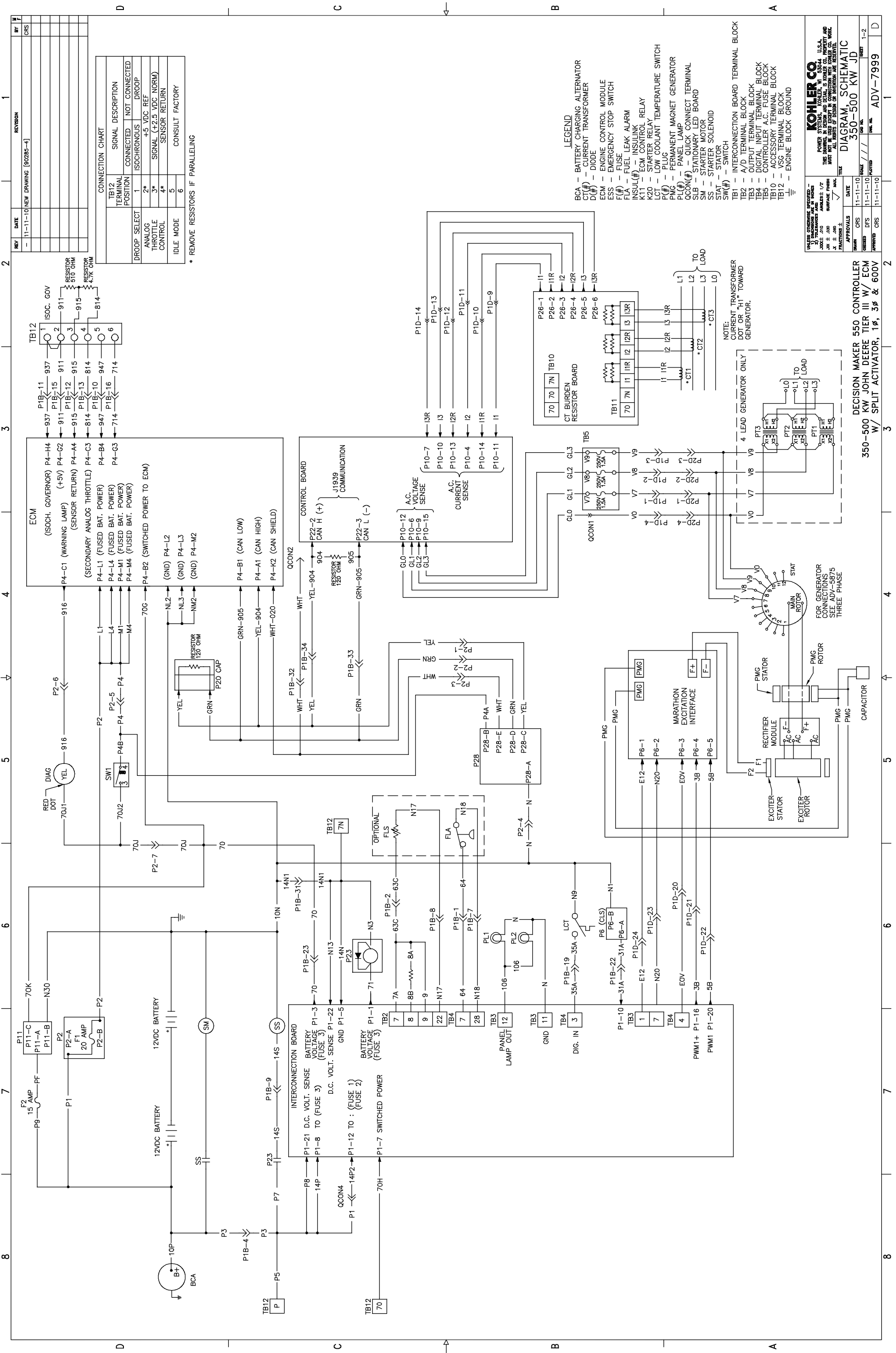
NOTES:  
 ON 10 LEAD GENERATORS, LEADS T10, T11 & T12 ARE ALL BROUGHT OUT TOGETHER AND LABELED "T0".  
 CURRENT TRANSFORMER DOT OR "H1" TOWARD GENERATOR.  
 CURRENT TRANSFORMERS NOT USED ON ALL SETS.

| APPROVALS | DATE    | SCALE | NONE | SHEET |
|-----------|---------|-------|------|-------|
| DESIGNED  | 5-27-04 |       |      | 4-5   |
| CHECKED   | 5-27-04 |       |      |       |
| APPROVED  | 5-27-04 |       |      |       |

| TITLE                  | SCALE | NONE | SHEET |
|------------------------|-------|------|-------|
| DIAGRAM, RECONNECTABLE |       |      | 4-5   |
| MARATHON ALTERNATORS   |       |      |       |
| ADV-5875               |       |      |       |



PHASE ROTATION  
 A B C  
 L1 L2 L3



| REV | DATE     | REVISION              | BY  |
|-----|----------|-----------------------|-----|
| -   | 11-11-10 | NEW DRAWING [80285-4] | CRS |

| TB12 TERMINAL POSITION | SIGNAL DESCRIPTION     | CONNECTED | NOT CONNECTED |
|------------------------|------------------------|-----------|---------------|
| 1                      | ISOCHRONOUS            |           |               |
| 2*                     | +5 VDC REF             |           |               |
| 3*                     | SIGNAL (+2.5 VDC NORM) |           |               |
| 4*                     | SENSOR RETURN          |           |               |
| 5                      |                        |           |               |
| 6                      | CONSULT FACTORY        |           |               |

\* REMOVE RESISTORS IF PARALLELING

- LEGEND**
- BCA - BATTERY CHARGING ALTERNATOR
  - CT(1#) - CURRENT TRANSFORMER
  - DI(1#) - DIODE
  - ECM - ENGINE CONTROL MODULE
  - ESS - EMERGENCY STOP SWITCH
  - F(1#) - FUSE
  - FLA - FUEL LEAK ALARM
  - INSUL(1#) - INSULATING RELAY
  - K1 - STARTER RELAY
  - LCT - LOW COOLANT TEMPERATURE SWITCH
  - P(1#) - PLUG
  - PMG - PERMANENT MAGNET GENERATOR
  - PL(1#) - PANEL LAMP
  - QCON(1#) - QUICK CONNECT TERMINAL
  - SLB - STATIONARY LED BOARD
  - SM - STARTER MOTOR
  - SS - STARTER SOLENOID
  - STAT - STARTER
  - SW(1#) - SWITCH
  - TB1 - INTERCONNECTION BOARD TERMINAL BLOCK
  - TB2 - A/D TERMINAL BLOCK
  - TB3 - OUTPUT TERMINAL BLOCK
  - TB4 - DIGITAL INPUT TERMINAL BLOCK
  - TB5 - CONTROLLER A.C. FUSE BLOCK
  - TB10 - ACCESSORY TERMINAL BLOCK
  - TB12 - VSG TERMINAL BLOCK
  - ≡ - ENGINE BLOCK GROUND

UNLESS OTHERWISE SPECIFIED -  
 3) TERMINALS ARE IN INCHES  
 JOINTS .010  
 SURFACE FINISH  
 FRACTIONS ±

**COHLER CO.** U.S.A.  
 POWER SYSTEMS AND CONTROLS DIVISION  
 1000 WEST 11TH AVENUE, DENVER, CO 80202  
 FIRST UNIT TO BE USED EXCEPT IN CONNECTION WITH POWER CO. WORK  
 ALL RIGHTS OF DESIGN OR INVENTION ARE RESERVED.

DATE: 11-11-10  
 DRAWN: CRS  
 CHECKED: DPS  
 APPROVED: CRS

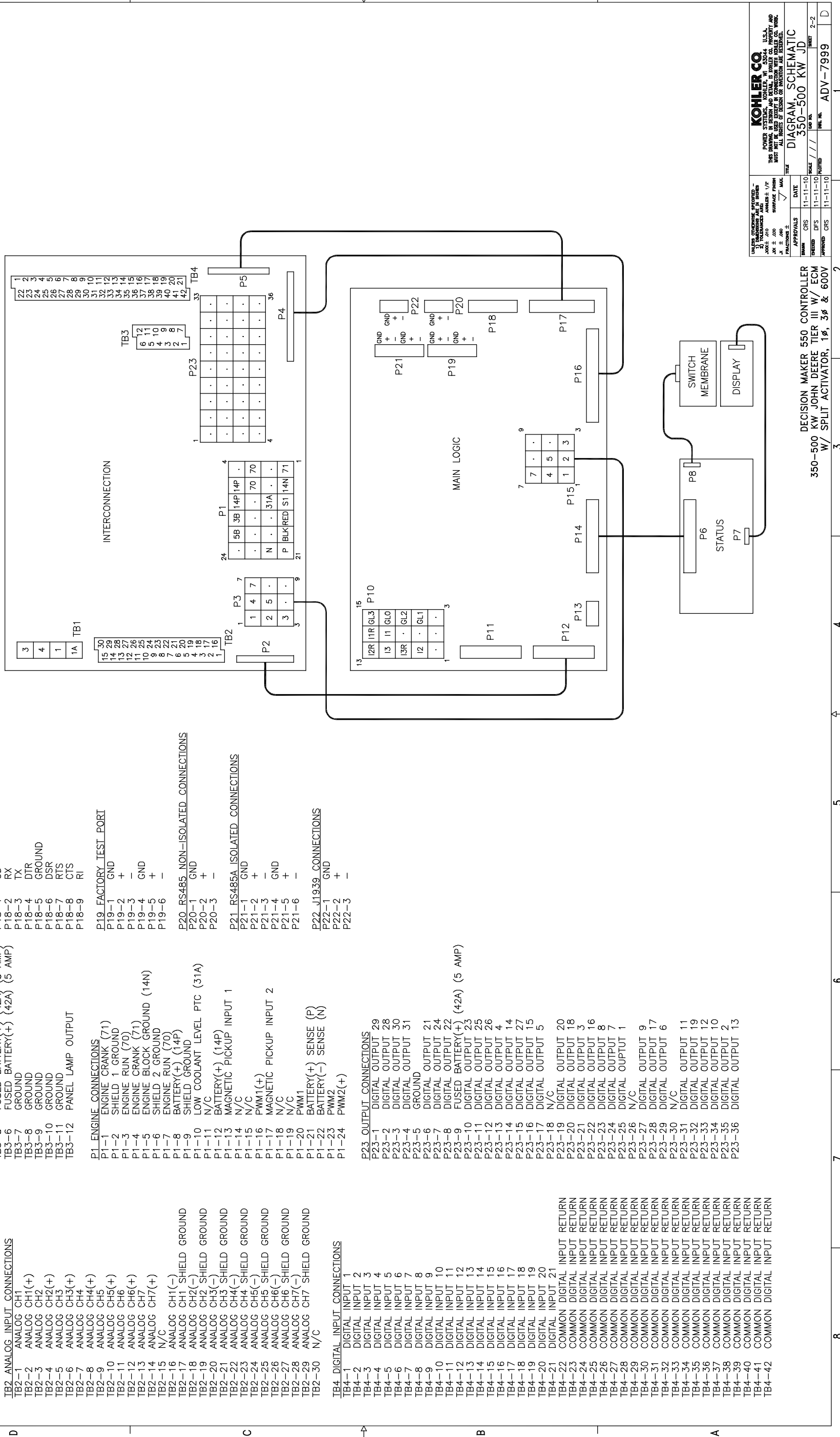
SCALE: 1-2  
 SHEET: 1-2

TITLE: **DIAGRAM, SCHEMATIC**  
 350-500 KW JD  
 ADV-7999

DECISION MAKER 550 CONTROLLER  
 350-500 KW JOHN DEERE TIER III W/ ECM  
 W/ SPLIT ACTIVATOR, 1 $\phi$ , 3 $\phi$  & 600V



| REV | DATE     | REVISION              | BY  |
|-----|----------|-----------------------|-----|
| -   | 11-11-10 | NEW DRAWING [90285-4] | CRS |
|     |          |                       |     |
|     |          |                       |     |
|     |          |                       |     |
|     |          |                       |     |
|     |          |                       |     |
|     |          |                       |     |



UNLESS OTHERWISE SPECIFIED -  
 1) DIMENSIONS ARE IN INCHES  
 2) DIMENSIONS ARE IN MILLIMETERS  
 3) TOLERANCES UNLESS OTHERWISE SPECIFIED ARE:  
 FRACTIONS ± .005  
 DECIMAL ± .010  
 ANGLES ± 1/2°  
 SURFACE FINISH PER MIL-STD-203

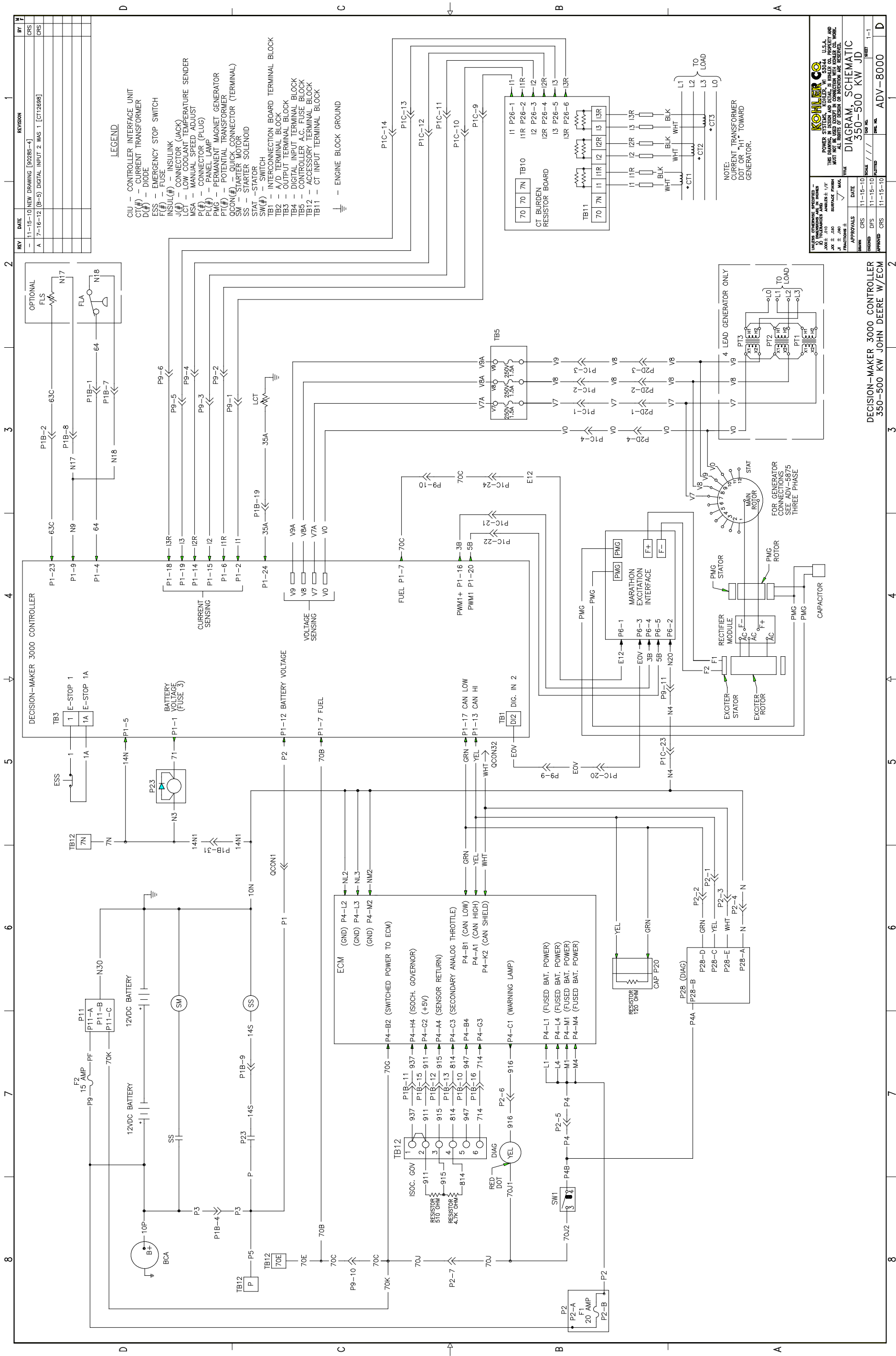
DATE 11-11-10  
 DRAWN CRS  
 CHECKED DRS  
 APPROVED CRS

SCALE 1:1  
 PART NO. ADV-7999  
 SHEET 2-2

DECISION MAKER 550 CONTROLLER  
 350-500 KW JOHN DEERE TIER III W/ ECM  
 W/ SPLIT ACTIVATOR, 1Ø, 3Ø & 600V

**KOHLER CO.** U.S.A.  
 POWER SYSTEMS AND CONTROLS DIVISION  
 2501 S. STATE STREET, MILWAUKEE, WI 53214  
 THIS DRAWING IS THE PROPERTY OF KOHLER CO. IT IS TO BE USED ONLY IN CONNECTION WITH KOHLER CO. WORK.  
 ALL RIGHTS OF DESIGN OR INVENTION ARE RESERVED.

**DIAGRAM, SCHEMATIC**  
 350-500 KW JD



**LEGEND**

CIU - CONTROLLER INTERFACE UNIT  
 CT( # ) - CURRENT TRANSFORMER  
 D( # ) - DIODE  
 ESS - EMERGENCY STOP SWITCH  
 F( # ) - FUSE  
 INSUL( # ) - INSULINK  
 J( # ) - CONNECTOR (JACK)  
 LCT - LOW COOLANT TEMPERATURE SENDER  
 MSA - MANUAL SPEED ADJUST  
 PL( # ) - PANEL LAMP  
 PMG - PERMANENT MAGNET GENERATOR  
 PT( # ) - POTENTIAL TRANSFORMER  
 QCON( # ) - QUICK CONNECTOR (TERMINAL)  
 SW - STARTER MOTOR  
 SW - STARTER SOLENOID  
 STAT - STATOR  
 SW( # ) - SWITCH  
 TB( # ) - INTERCONNECTION BOARD TERMINAL BLOCK  
 TB2 - INPUT TERMINAL BLOCK  
 TB3 - OUTPUT TERMINAL BLOCK  
 TB4 - DIGITAL INPUT TERMINAL BLOCK  
 TB5 - CONTROLLER AC FUSE BLOCK  
 TB12 - ACCESSORY TERMINAL BLOCK  
 TB11 - CT INPUT TERMINAL BLOCK

— ENGINE BLOCK GROUND

UNLESS OTHERWISE SPECIFIED -  
 3) TOLERANCES ARE IN INCHES  
 JOZE ± .010  
 JOZE ± .005  
 FRACTIONS ±

APPROVALS DATE  
 DRAWN CRS 11-15-10  
 CHECKED DFS 11-15-10  
 APPROVED CRS 11-15-10

SCALE 1-1  
 SHEET 1-1

U.S.A.  
 KOHLER CO.  
 THIS DRAWING IS THE PROPERTY OF KOHLER CO. AND  
 MUST NOT BE USED EXCEPT IN CONNECTION WITH KOHLER CO. WORK.  
 ALL RIGHTS OF DESIGN OR INVENTION ARE RESERVED.

FILE  
 ADV-8000

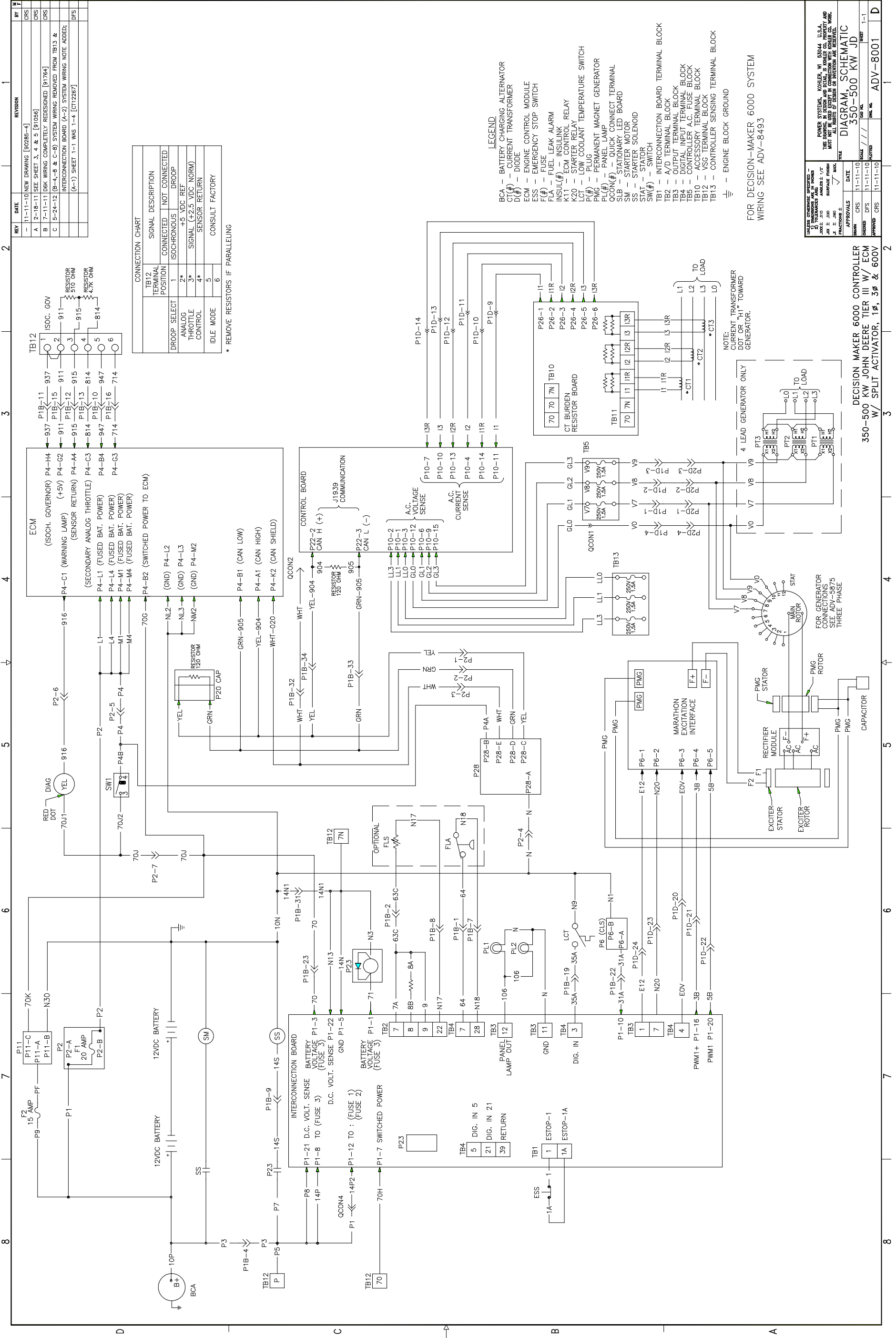
DECISION-MAKER 3000 CONTROLLER  
 350-500 KW JOHN DEERE W/ECM

ADV-8000

1-1

10 Wiring Diagrams

TP-6797 1/13



- LEGEND**
- BCA - BATTERY CHARGING ALTERNATOR
  - CT( # ) - CURRENT TRANSFORMER
  - D( # ) - DIODE
  - ECM - ENGINE CONTROL MODULE
  - ESS - EMERGENCY STOP SWITCH
  - F( # ) - FUSE
  - FLA - FUEL LEAK ALARM
  - INSULINK( # ) - INSULINK
  - K11 - ECM CONTROL RELAY
  - K20 - STARTER RELAY
  - LCT - LOW COOLANT TEMPERATURE SWITCH
  - PL( # ) - PLUG
  - PMG - PERMANENT MAGNET GENERATOR
  - QCON( # ) - QUICK CONNECT TERMINAL
  - SLB - STATIONARY LED BOARD
  - SM - STARTER MOTOR
  - SS - STARTER SOLENOID
  - SW( # ) - SWITCH
  - TB1 - INTERCONNECTION BOARD TERMINAL BLOCK
  - TB2 - A/D TERMINAL BLOCK
  - TB3 - OUTPUT TERMINAL BLOCK
  - TB4 - DIGITAL INPUT TERMINAL BLOCK
  - TB5 - CONTROLLER A/C FUSE BLOCK
  - TB10 - ACCESSORY TERMINAL BLOCK
  - TB12 - VSG TERMINAL BLOCK
  - TB13 - CONTROLLER SENSING TERMINAL BLOCK
  - ≡ - ENGINE BLOCK GROUND

FOR DECISION-MAKER 6000 SYSTEM  
WIRING SEE ADV-8493

|                                |           |          |     |
|--------------------------------|-----------|----------|-----|
| UNLESS OTHERWISE SPECIFIED -   |           | DATE     | BY  |
| 3) TOLERANCES UNLESS INDICATED | APPROVALS | DATE     | BY  |
| 1) DIMENSIONS IN INCHES        | DESIGNED  | 11-11-10 | CRS |
| 2) DIMENSIONS IN MILLIMETERS   | CHECKED   | 11-11-10 | DPS |
| APPROVED                       | CRS       | 11-11-10 | D   |

|                                |           |          |     |
|--------------------------------|-----------|----------|-----|
| UNLESS OTHERWISE SPECIFIED -   |           | DATE     | BY  |
| 3) TOLERANCES UNLESS INDICATED | APPROVALS | DATE     | BY  |
| 1) DIMENSIONS IN INCHES        | DESIGNED  | 11-11-10 | CRS |
| 2) DIMENSIONS IN MILLIMETERS   | CHECKED   | 11-11-10 | DPS |
| APPROVED                       | CRS       | 11-11-10 | D   |

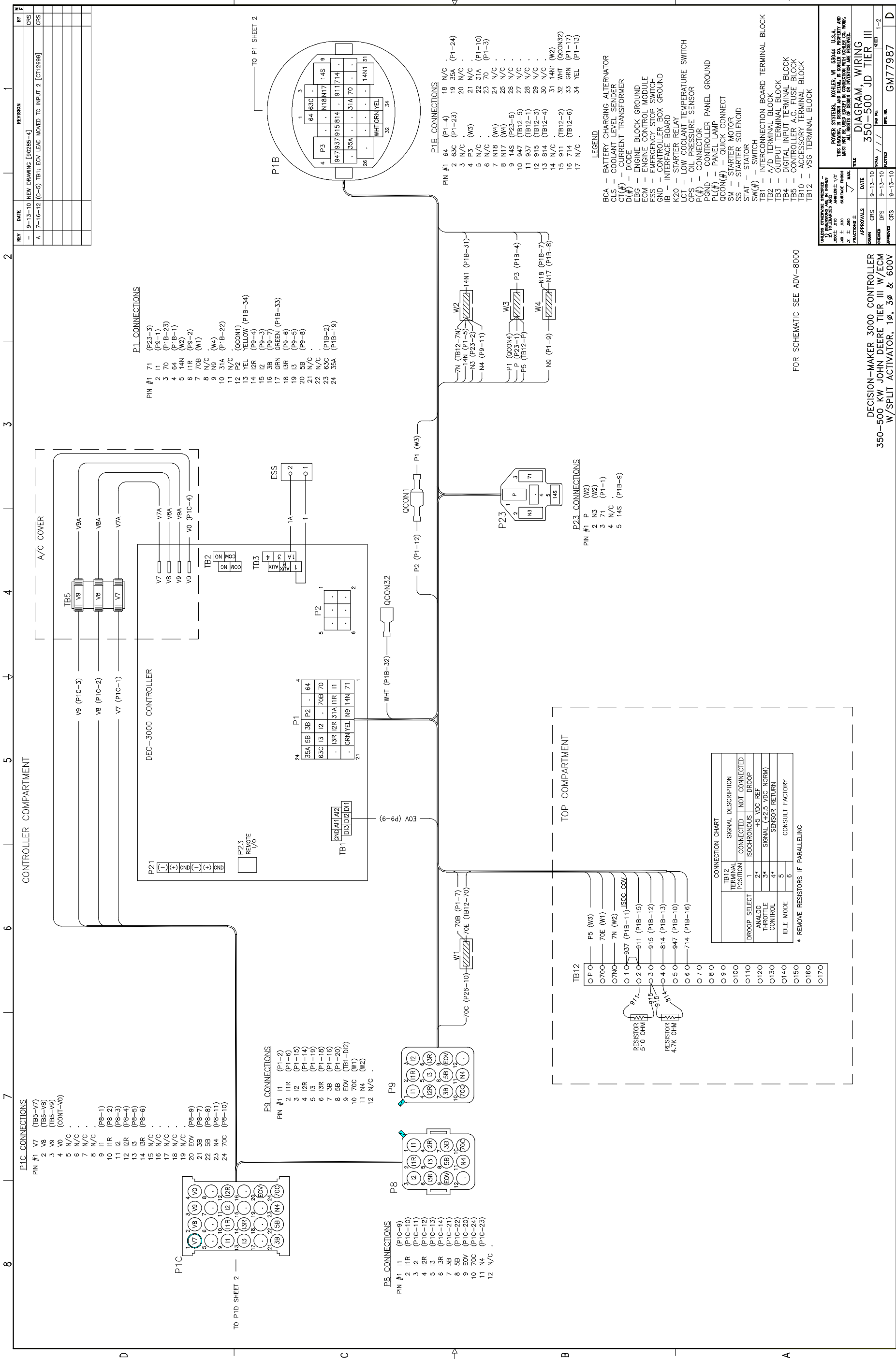
DECISION MAKER 6000 CONTROLLER  
350-500 KW JOHN DEERE TIER III W/ ECM  
W/ SPLIT ACTIVATOR, 1 $\phi$ , 3 $\phi$  & 600V

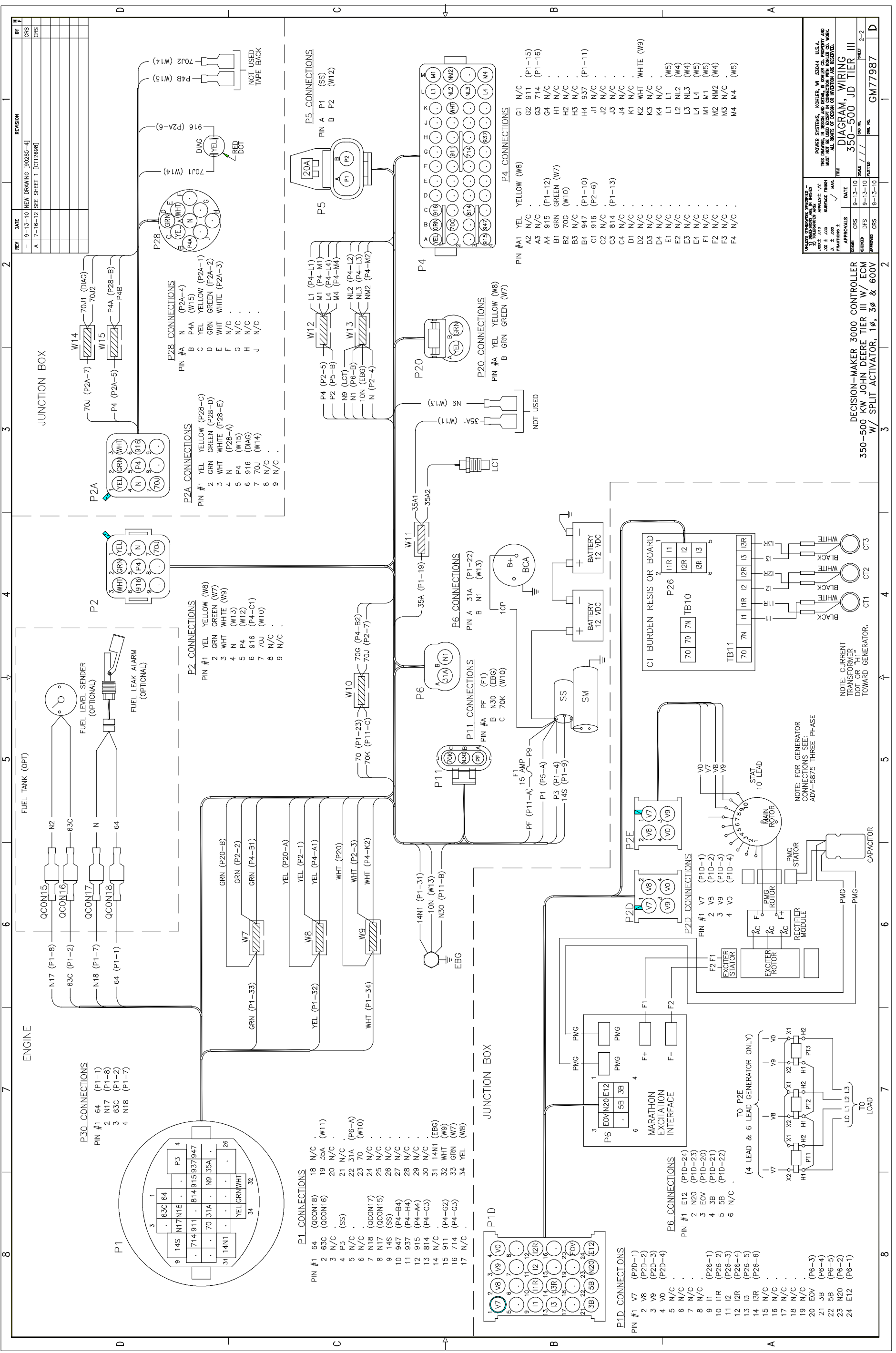
POWER SYSTEMS ISSUED BY DEERE U.S.A. U.S.A.  
THIS DRAWING IS FOR INFORMATION ONLY. DEERE IS NOT RESPONSIBLE FOR THE PROPER USE OF THIS DRAWING.  
ALL RIGHTS OF DESIGN OR INVENTION ARE RESERVED.

DIAGRAM, SCHEMATIC  
350-500 KW JD

SCALE: 1" = 1'-0"

ADV-8001





| REV | DATE    | REVISION              | BY  | CHK |
|-----|---------|-----------------------|-----|-----|
| -   | 9-13-10 | NEW DRAWING [90285-4] | CRS |     |
| A   | 7-16-12 | SEE SHEET 1 [C112698] | CRS |     |

| UNLESS OTHERWISE SPECIFIED: | DATE    | SCALE     | SHEET |
|-----------------------------|---------|-----------|-------|
| 1) DIMENSIONS ARE AS SHOWN  | 9-13-10 | 1/8" = 1" | 2-2   |
| 2) TOLERANCES ARE:          | CRS     |           |       |
| 3) DIMENSIONS ARE AS SHOWN  | DPS     |           |       |
| 4) DIMENSIONS ARE AS SHOWN  | CRS     |           |       |
| 5) DIMENSIONS ARE AS SHOWN  | CRS     |           |       |

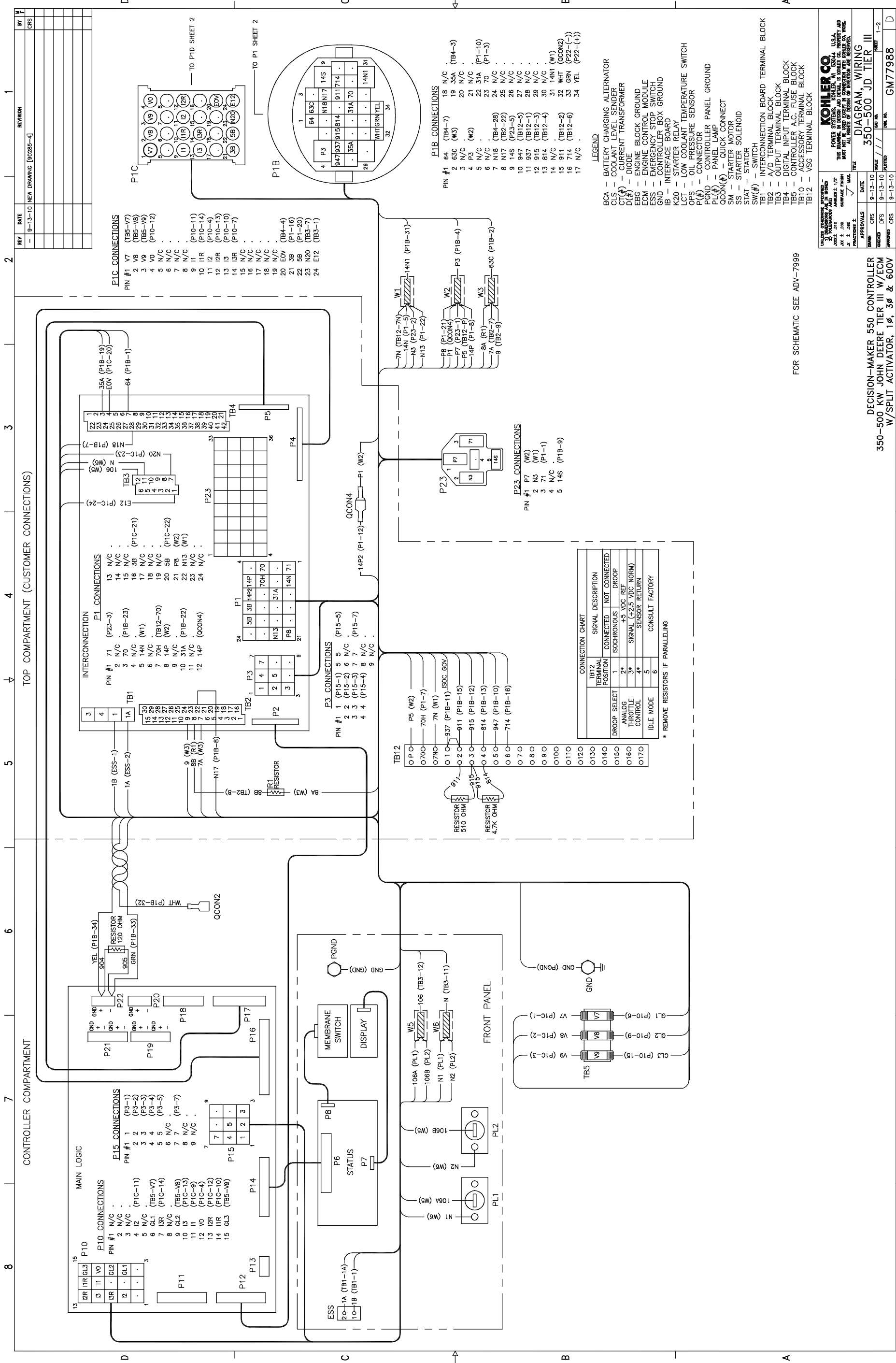
| UNLESS OTHERWISE SPECIFIED: | DATE    | SCALE     | SHEET |
|-----------------------------|---------|-----------|-------|
| 1) DIMENSIONS ARE AS SHOWN  | 9-13-10 | 1/8" = 1" | 2-2   |
| 2) TOLERANCES ARE:          | CRS     |           |       |
| 3) DIMENSIONS ARE AS SHOWN  | DPS     |           |       |
| 4) DIMENSIONS ARE AS SHOWN  | CRS     |           |       |
| 5) DIMENSIONS ARE AS SHOWN  | CRS     |           |       |

| UNLESS OTHERWISE SPECIFIED: | DATE    | SCALE     | SHEET |
|-----------------------------|---------|-----------|-------|
| 1) DIMENSIONS ARE AS SHOWN  | 9-13-10 | 1/8" = 1" | 2-2   |
| 2) TOLERANCES ARE:          | CRS     |           |       |
| 3) DIMENSIONS ARE AS SHOWN  | DPS     |           |       |
| 4) DIMENSIONS ARE AS SHOWN  | CRS     |           |       |
| 5) DIMENSIONS ARE AS SHOWN  | CRS     |           |       |

| UNLESS OTHERWISE SPECIFIED: | DATE    | SCALE     | SHEET |
|-----------------------------|---------|-----------|-------|
| 1) DIMENSIONS ARE AS SHOWN  | 9-13-10 | 1/8" = 1" | 2-2   |
| 2) TOLERANCES ARE:          | CRS     |           |       |
| 3) DIMENSIONS ARE AS SHOWN  | DPS     |           |       |
| 4) DIMENSIONS ARE AS SHOWN  | CRS     |           |       |
| 5) DIMENSIONS ARE AS SHOWN  | CRS     |           |       |

| UNLESS OTHERWISE SPECIFIED: | DATE    | SCALE     | SHEET |
|-----------------------------|---------|-----------|-------|
| 1) DIMENSIONS ARE AS SHOWN  | 9-13-10 | 1/8" = 1" | 2-2   |
| 2) TOLERANCES ARE:          | CRS     |           |       |
| 3) DIMENSIONS ARE AS SHOWN  | DPS     |           |       |
| 4) DIMENSIONS ARE AS SHOWN  | CRS     |           |       |
| 5) DIMENSIONS ARE AS SHOWN  | CRS     |           |       |

| UNLESS OTHERWISE SPECIFIED: | DATE    | SCALE     | SHEET |
|-----------------------------|---------|-----------|-------|
| 1) DIMENSIONS ARE AS SHOWN  | 9-13-10 | 1/8" = 1" | 2-2   |
| 2) TOLERANCES ARE:          | CRS     |           |       |
| 3) DIMENSIONS ARE AS SHOWN  | DPS     |           |       |
| 4) DIMENSIONS ARE AS SHOWN  | CRS     |           |       |
| 5) DIMENSIONS ARE AS SHOWN  | CRS     |           |       |



|   |
|---|
| UNLESS OTHERWISE SPECIFIED -<br>1) DIMENSIONS ARE IN INCHES<br>2) TOLERANCES ARE:<br>DIMENSIONS 0.0005" - 0.0015" ± 0.0005<br>DIMENSIONS 0.0015" - 0.0030" ± 0.0005<br>DIMENSIONS 0.0030" - 0.0050" ± 0.0005<br>DIMENSIONS 0.0050" - 0.0100" ± 0.0005<br>DIMENSIONS 0.0100" - 0.0300" ± 0.0010<br>DIMENSIONS 0.0300" - 0.0600" ± 0.0015<br>DIMENSIONS 0.0600" - 0.1250" ± 0.0020<br>DIMENSIONS 0.1250" - 0.2500" ± 0.0030<br>DIMENSIONS 0.2500" - 0.5000" ± 0.0050<br>DIMENSIONS 0.5000" - 1.0000" ± 0.0075<br>DIMENSIONS 1.0000" - 2.0000" ± 0.0100<br>DIMENSIONS 2.0000" - 5.0000" ± 0.0150<br>DIMENSIONS 5.0000" - 10.0000" ± 0.0200<br>DIMENSIONS 10.0000" - 25.0000" ± 0.0300<br>DIMENSIONS 25.0000" - 50.0000" ± 0.0400<br>DIMENSIONS 50.0000" - 100.0000" ± 0.0500<br>DIMENSIONS 100.0000" - 250.0000" ± 0.0750<br>DIMENSIONS 250.0000" - 500.0000" ± 0.1000<br>DIMENSIONS 500.0000" - 1000.0000" ± 0.1500<br>DIMENSIONS 1000.0000" - 2500.0000" ± 0.2000<br>DIMENSIONS 2500.0000" - 5000.0000" ± 0.3000<br>DIMENSIONS 5000.0000" - 10000.0000" ± 0.4000 |
| <b>KOHLER CO. U.S.A.</b><br>POWER SYSTEMS AND CONTROLS DIVISION<br>11001 N.W. 11TH AVE., MIAMI, FL 33157<br>THIS DRAWING IS THE PROPERTY OF KOHLER CO. IT IS TO BE USED ONLY IN CONNECTION WITH KOHLER CO. WORK.<br>ALL RIGHTS OF DESIGN OR INVENTION ARE RESERVED.   |
| <b>DIAGRAM, WIRING</b><br><b>350-500 JD TIER III</b>  |
| SCALE 1:1<br>DATE 9-13-10<br>DESIGNED BY CRD<br>CHECKED BY CRD<br>APPROVED BY CRD   |
| DRAWN BY CRD<br>DATE 9-13-10<br>DESIGNED BY CRD<br>CHECKED BY CRD<br>APPROVED BY CRD  |

350-500 kW JOHN DEERE TIER III W/ECM W/SPLIT ACTIVATOR, 1P, 3P & 600V

FOR SCHEMATIC SEE ADV-7999

**CONNECTION CHART**

| TERMINAL POSITION | SIGNAL DESCRIPTION     |
|-------------------|------------------------|
| 1                 | ISOSYNCHRONOUS DROOP   |
| 2*                | +5 VDC REF             |
| 3*                | SIGNAL (-2.5 VDC NORM) |
| 4*                | SENSOR RETURN          |
| 5                 | CONSULT FACTORY        |
| 6                 |                        |

\* REMOVE RESISTORS IF PARALLELING

- LEGEND**
- BCA - BATTERY CHARGING ALTERNATOR
  - CLS - COOLANT LEVEL SENDER
  - CR - CURRENT TRANSFORMER
  - DI(1) - DIODE
  - ECM - ENGINE BLOCK GROUND
  - EOM - ENGINE CONTROL MODULE
  - ESS - EMERGENCY STOP SWITCH
  - GND - CONTROLLER BOX GROUND
  - IB - INTERFACE BOARD
  - K20 - STARTER RELAY
  - LCT - LOW COOLANT TEMPERATURE SWITCH
  - OPS - OIL PRESSURE SENSOR
  - P(1) - PRESSURE
  - P(2) - PRESSURE
  - PL(1) - PANEL LAMP
  - QCON(1) - QUICK CONNECT
  - SM - STARTER MOTOR
  - SS - STARTER SOLENOID
  - STAT - STATOR
  - SW(1) - SWITCH
  - TB1 - INTERCONNECTION BOARD TERMINAL BLOCK
  - TB2 - A/D TERMINAL BLOCK
  - TB3 - OUTPUT TERMINAL BLOCK
  - TB4 - DIGITAL INPUT TERMINAL BLOCK
  - TE5 - CONTROLLER A.C. FUSE BLOCK
  - TB10 - ACCESSORY TERMINAL BLOCK
  - TB12 - VSG TERMINAL BLOCK

350-500 kW JOHN DEERE TIER III W/ECM W/SPLIT ACTIVATOR, 1P, 3P & 600V

FOR SCHEMATIC SEE ADV-7999

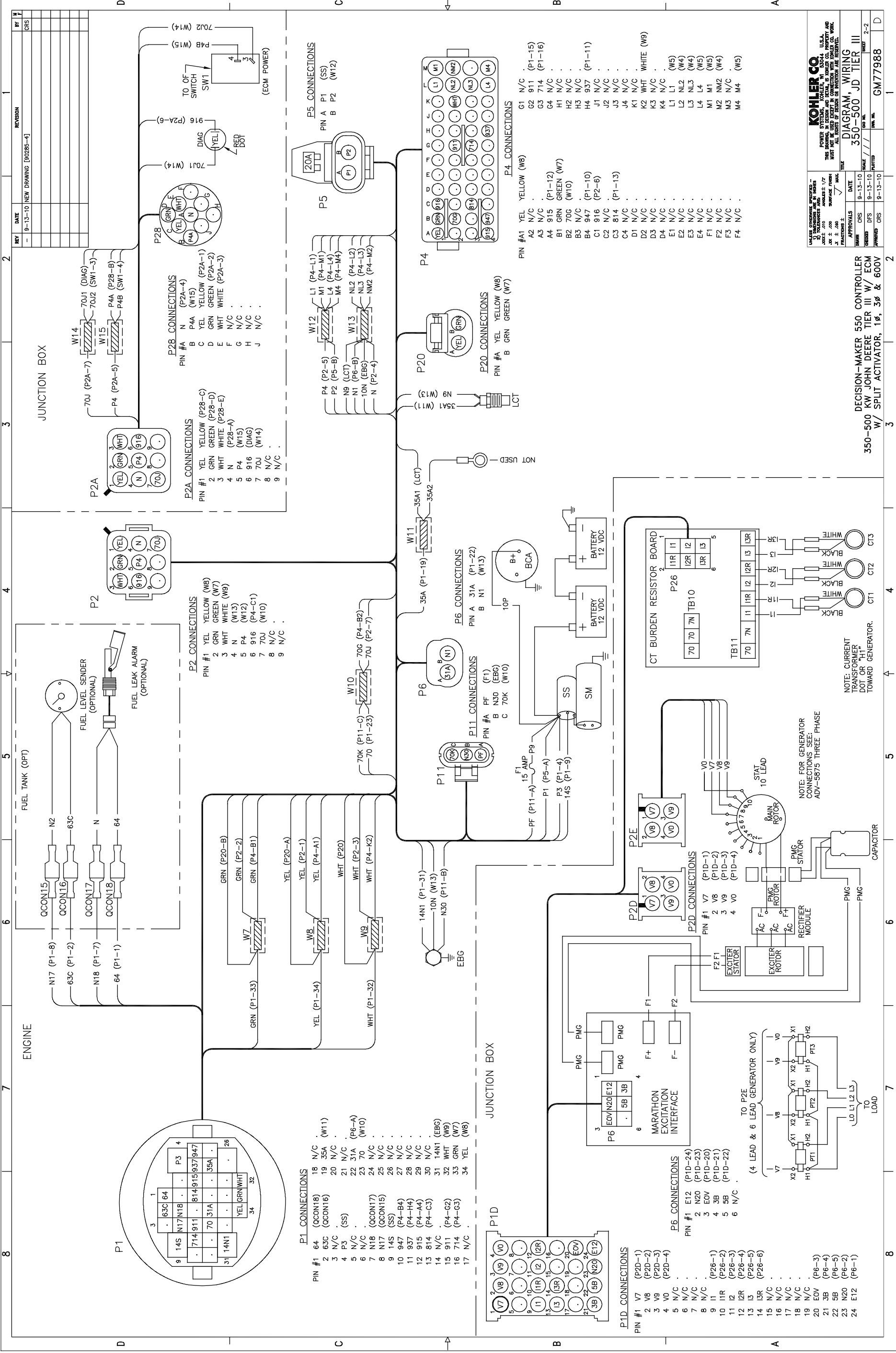
**CONNECTION CHART**

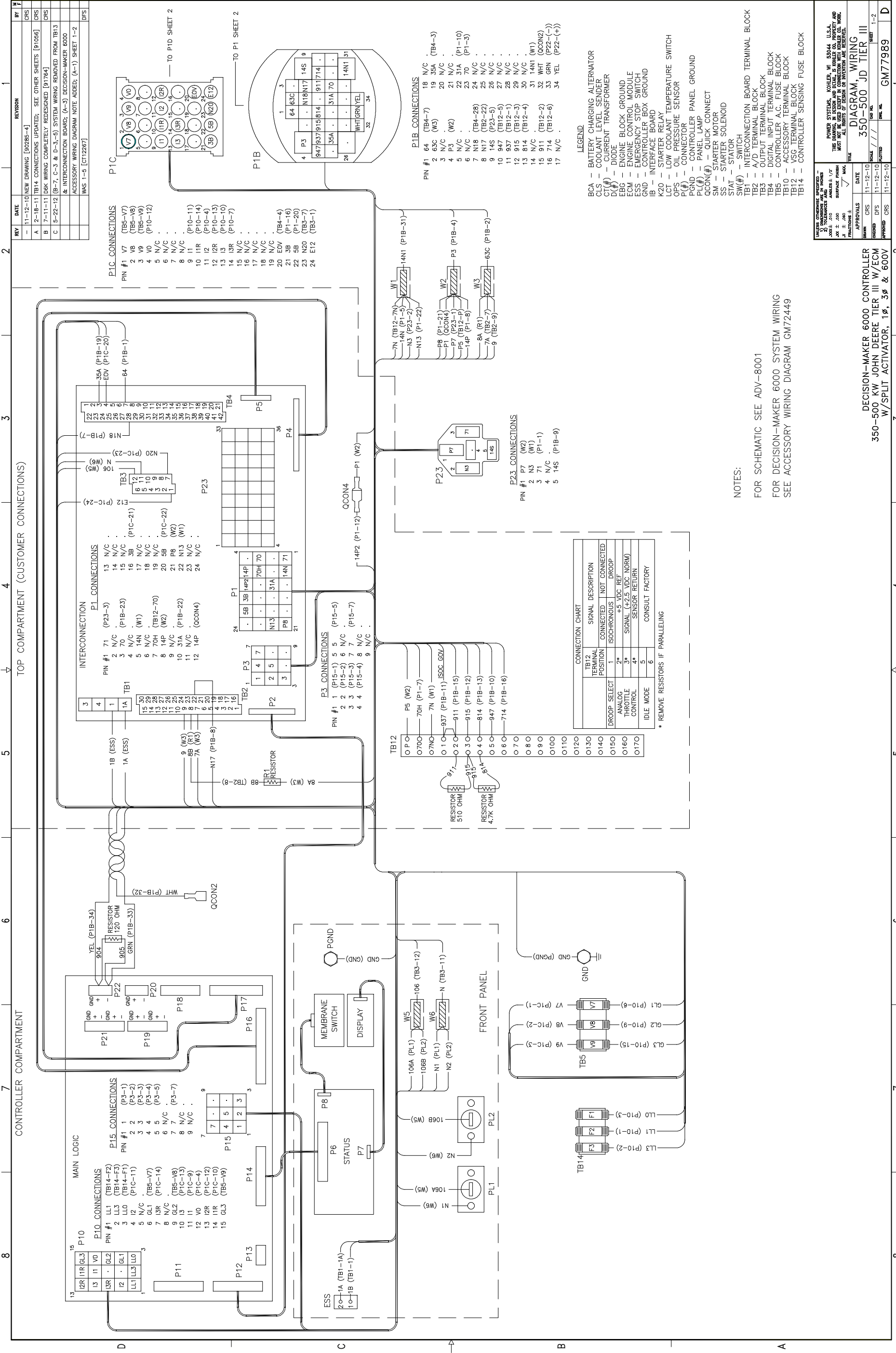
| TERMINAL POSITION | SIGNAL DESCRIPTION     |
|-------------------|------------------------|
| 1                 | ISOSYNCHRONOUS DROOP   |
| 2*                | +5 VDC REF             |
| 3*                | SIGNAL (-2.5 VDC NORM) |
| 4*                | SENSOR RETURN          |
| 5                 | CONSULT FACTORY        |
| 6                 |                        |

\* REMOVE RESISTORS IF PARALLELING

- LEGEND**
- BCA - BATTERY CHARGING ALTERNATOR
  - CLS - COOLANT LEVEL SENDER
  - CR - CURRENT TRANSFORMER
  - DI(1) - DIODE
  - ECM - ENGINE BLOCK GROUND
  - EOM - ENGINE CONTROL MODULE
  - ESS - EMERGENCY STOP SWITCH
  - GND - CONTROLLER BOX GROUND
  - IB - INTERFACE BOARD
  - K20 - STARTER RELAY
  - LCT - LOW COOLANT TEMPERATURE SWITCH
  - OPS - OIL PRESSURE SENSOR
  - P(1) - PRESSURE
  - P(2) - PRESSURE
  - PL(1) - PANEL LAMP
  - QCON(1) - QUICK CONNECT
  - SM - STARTER MOTOR
  - SS - STARTER SOLENOID
  - STAT - STATOR
  - SW(1) - SWITCH
  - TB1 - INTERCONNECTION BOARD TERMINAL BLOCK
  - TB2 - A/D TERMINAL BLOCK
  - TB3 - OUTPUT TERMINAL BLOCK
  - TB4 - DIGITAL INPUT TERMINAL BLOCK
  - TE5 - CONTROLLER A.C. FUSE BLOCK
  - TB10 - ACCESSORY TERMINAL BLOCK
  - TB12 - VSG TERMINAL BLOCK







REV DATE REVISION BY

|   |          |  |     |
|---|----------|--|-----|
| 1 | 11-12-10 | NEW DRAWING [90285-4]  | CRS |
| 2 | 2-18-11  | TB14 CONNECTIONS UPDATED - SEE OTHER SHEETS [91056]            | CRS |
| 3 | 7-11-11  | DKB WIRING COMPLETELY REDESIGNED [91764]                       | CRS |
| 4 | 5-22-12  | & INTERCONNECTION BOARD, (A-3) SYSTEM WIRING REMOVED FROM TB13 | CRS |
| 5 |          | ACCESSORY WIRING DIAGRAM NOTE ADDED: (A-1) SHEET 1-2           | DFS |
| 6 |          | IMS 1-5 [C112267]  | DFS |

TOP COMPARTMENT (CUSTOMER CONNECTIONS)

CONTROLLER COMPARTMENT

FRONT PANEL

LEGEND

BCA - BATTERY CHARGING ALTERNATOR  
 CLS - COOLANT LEVEL SENDER  
 CT( # ) - CURRENT TRANSFORMER  
 DI( # ) - DIODE  
 EBG - ENGINE BLOCK GROUND  
 ECM - ENGINE CONTROL MODULE  
 ESS - EMERGENCY STOP SWITCH  
 GND - CONTROLLER BOX GROUND  
 IB - INTERFACE BOARD  
 K20 - STARTER RELAY  
 LCT - LOW COOLANT TEMPERATURE SWITCH  
 OFS - OIL PRESSURE SENSOR  
 P( # ) - CONNECTOR  
 PGND - CONTROLLER PANEL GROUND  
 PL( # ) - PANEL LAMP  
 QCON( # ) - QUICK CONNECT  
 SM - STARTER MOTOR  
 SS - STARTER SOLENOID  
 STAI - STATOR  
 SW( # ) - SWITCH  
 TB1 - INTERCONNECTION BOARD TERMINAL BLOCK  
 TB2 - A/T/PT/TEMPERATURE BLOCK  
 TB3 - DIGITAL INPUT TERMINAL BLOCK  
 TB4 - CONTROLLER A.C. FUSE BLOCK  
 TB5 - ACCESSORY TERMINAL BLOCK  
 TB10 - VSS TERMINAL BLOCK  
 TB12 - CONTROLLER SENSING FUSE BLOCK  
 TB14 - CONTROLLER SENSING FUSE BLOCK

CONNECTION CHART

| TB12 TERMINAL POSITION | SIGNAL DESCRIPTION     | CONNECTED | NOT CONNECTED |
|------------------------|------------------------|-----------|---------------|
| 1                      | ISOCRONOUS DROOP       |           |               |
| 2*                     | +5 VDC REF             |           |               |
| 3*                     | SIGNAL (-2.5 VDC NORM) |           |               |
| 4*                     | SENSOR RETURN          |           |               |
| 5                      | CONSULT FACTORY        |           |               |
| 6                      |                        |           |               |

\* REMOVE RESISTORS IF PARALLELING

NOTES:

FOR SCHEMATIC SEE ADV-8001

FOR DECISION-MAKER 6000 SYSTEM WIRING SEE ACCESSORY WIRING DIAGRAM GM72449

UNLESS OTHERWISE SPECIFIED -  
 1) DIMENSIONS IN INCHES  
 2) DIMENSIONS IN MILLIMETERS  
 3) TOLERANCES UNLESS OTHERWISE SPECIFIED -  
 ANGLES ± 1/2°  
 SURFACE FINISH UNLESS OTHERWISE SPECIFIED -  
 UNLESS OTHERWISE SPECIFIED -  
 ALL DIMENSIONS ARE TO CENTER UNLESS OTHERWISE SPECIFIED.  
 THIS DRAWING IS THE PROPERTY OF JOHN DEERE. IT IS TO BE USED ONLY IN CONNECTION WITH JOHN DEERE WORK. ALL RIGHTS OF DESIGN OR INVENTION ARE RESERVED.

APPROVALS DATE

|          |     |          |
|----------|-----|----------|
| DESIGNED | CRS | 11-12-10 |
| DRAWN    | CRS | 11-12-10 |
| CHECKED  | DFS | 11-12-10 |
| APPROVED | CRS | 11-12-10 |

DIAGRAM, WIRING

350-500 JD TIER III

SCALE: 1" = 1'-0"

FILE: GM77989

SHEET 1-2

DECISION-MAKER 6000 CONTROLLER

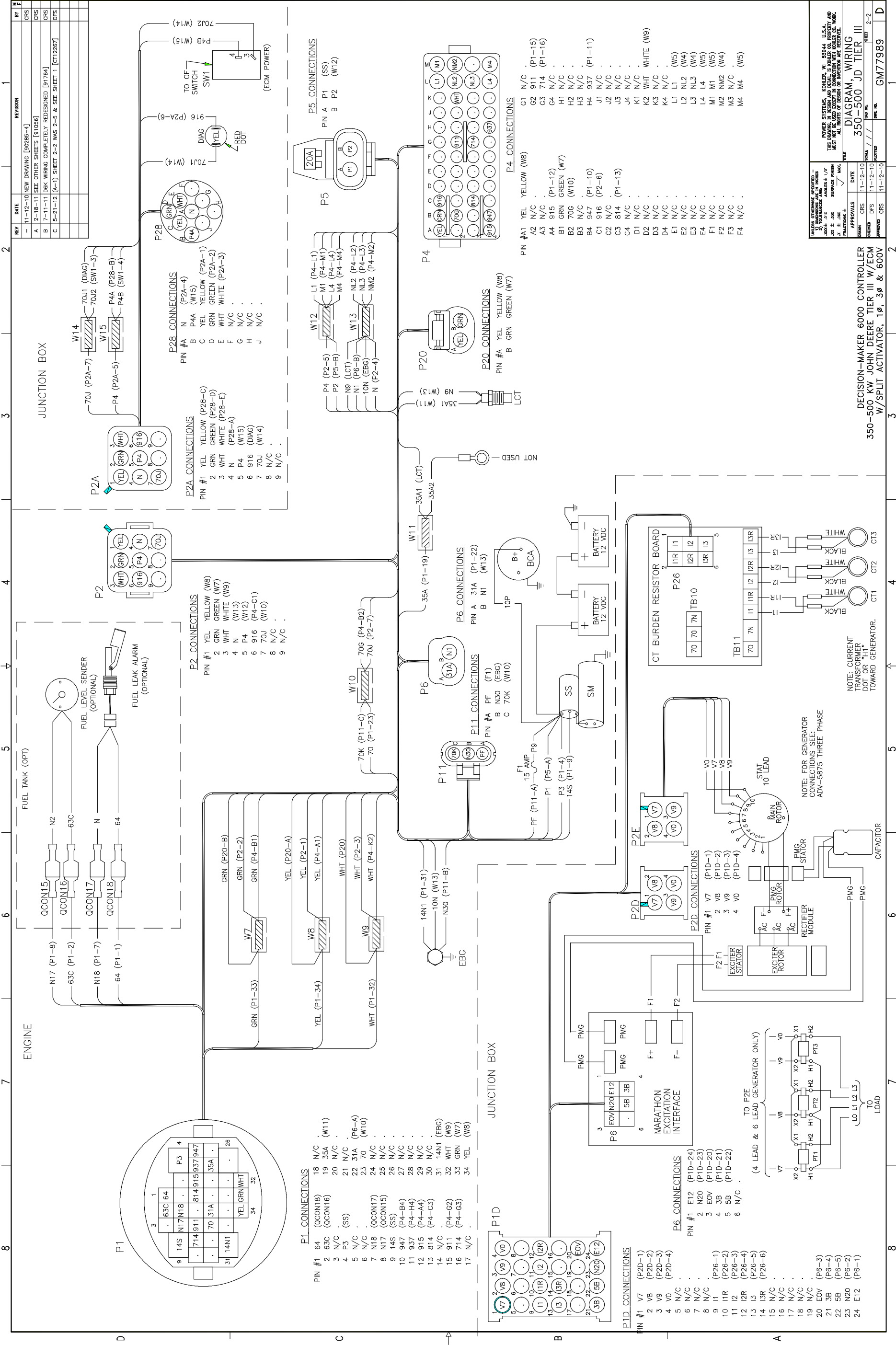
350-500 KW JOHN DEERE TIER III W/ECM

W/SPLIT ACTIVATOR, 1ø, 3ø & 600V

TP-6797 1/13

16 Wiring Diagrams





| REV | DATE     | REVISION  |
|-----|----------|---|
| -   | 11-12-10 | NEW DRAWING [90285-4]                           |
| A   | 2-18-11  | SEE OTHER SHEETS [91056]                        |
| B   | 7-11-11  | DKG WIRING COMPLETELY REDESIGNED [91764]        |
| C   | 5-21-12  | (A-1) SHEET 2-2 WAS 2-5 & SEE SHEET 1 [CT12267] |

| UNLESS OTHERWISE SPECIFIED - DIMENSIONS ARE IN INCHES | DATE     | SCALE    | SHEET    |
|---|----------|----------|----------|
| 3) DIMENSIONS IN MILLIMETERS                          | DATE     | SCALE    | SHEET    |
| JOZE .JTD   | CRS      | 11-12-10 | 2-2      |
| AMPERE ± 1/2  | DFS      | 11-12-10 | 2-2      |
| RESISTANCE ± 5%                                       | APPROVED | CRS      | 11-12-10 |
| ALL RIGHTS OF DESIGN OR INVENTION ARE RESERVED.       |          |          |          |

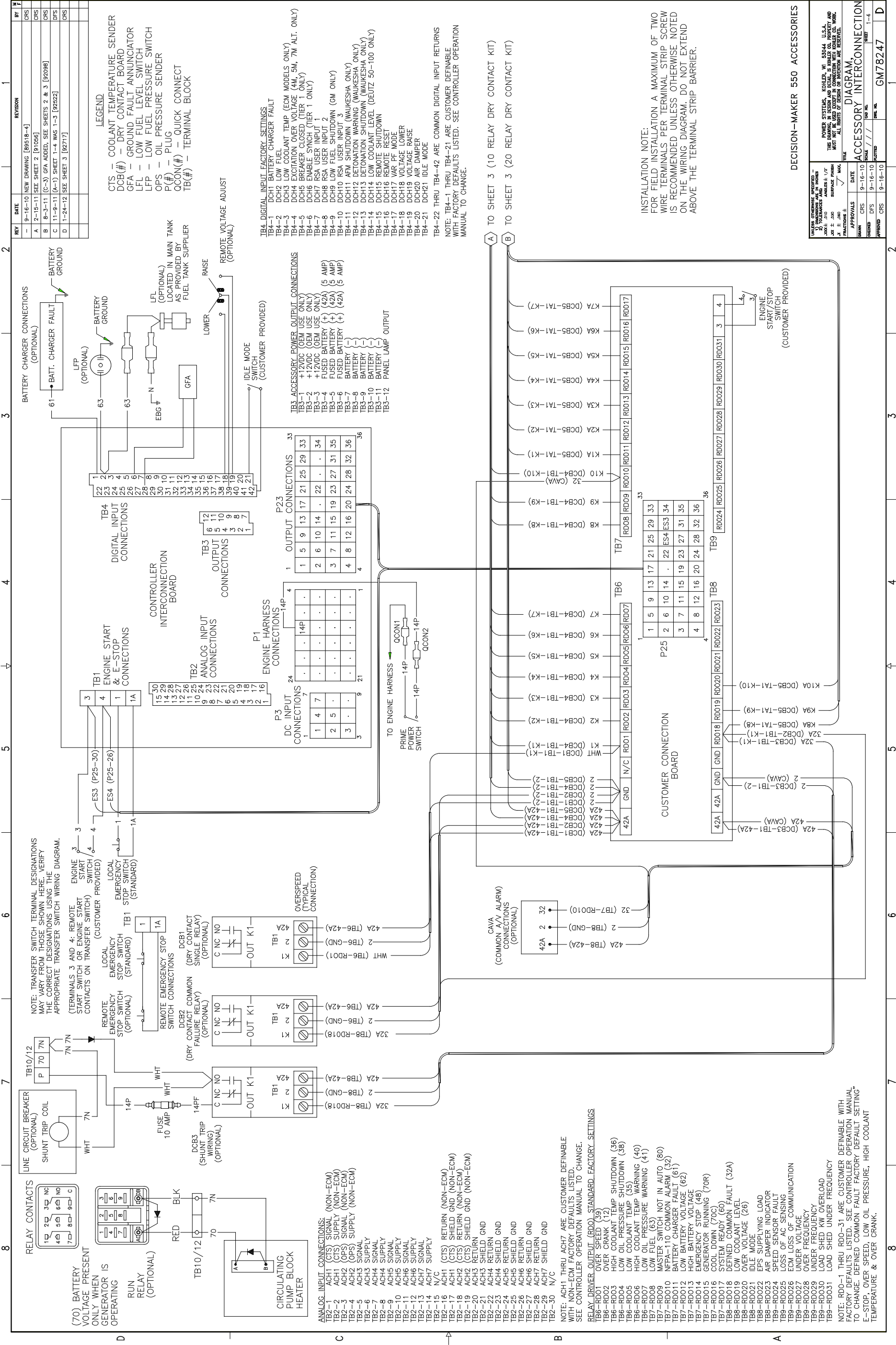
DECISION-MAKER 6000 CONTROLLER  
350-500 KW JOHN DEERE TIER III W/ECM  
W/SPLIT ACTIVATOR, 1 $\phi$ , 3 $\phi$  & 600V

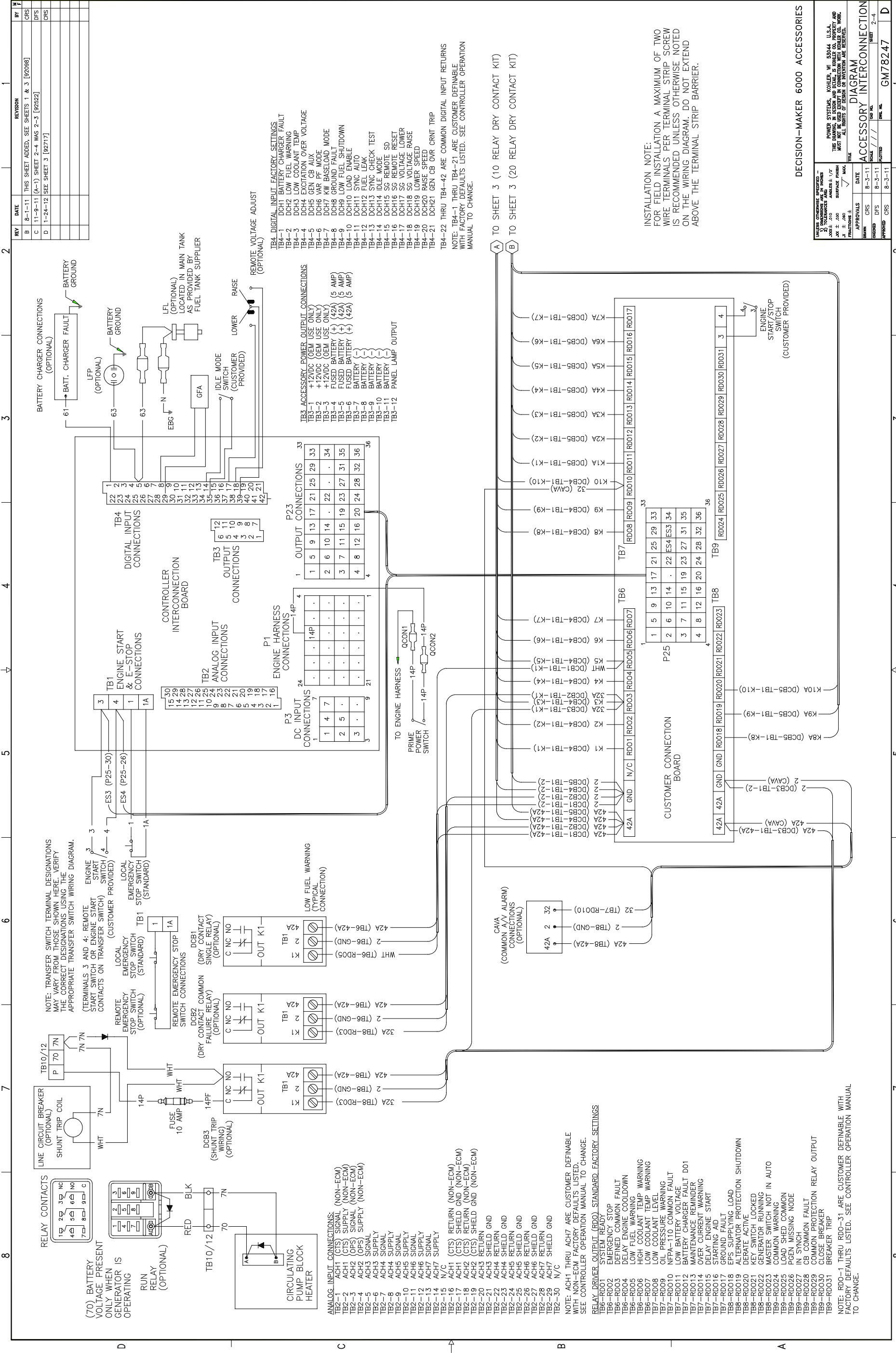
GM77989

TP-6797 1/13

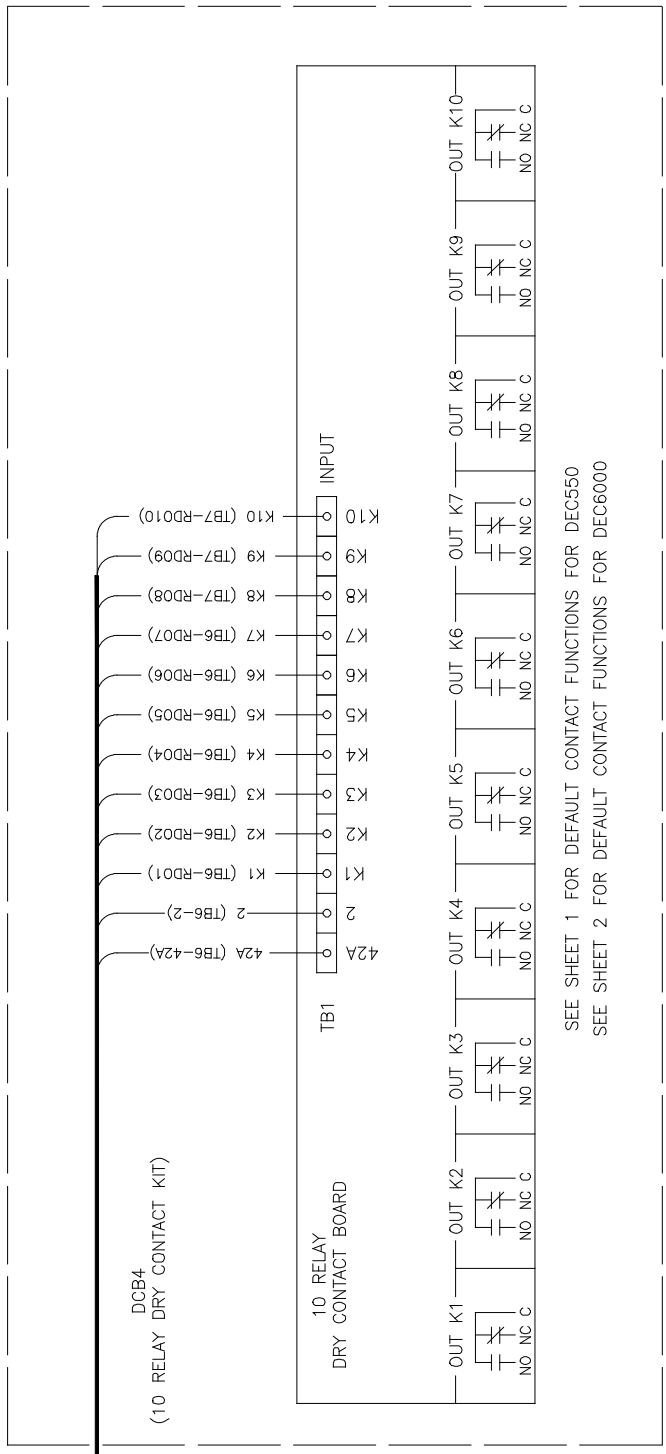
Wiring Diagrams 17



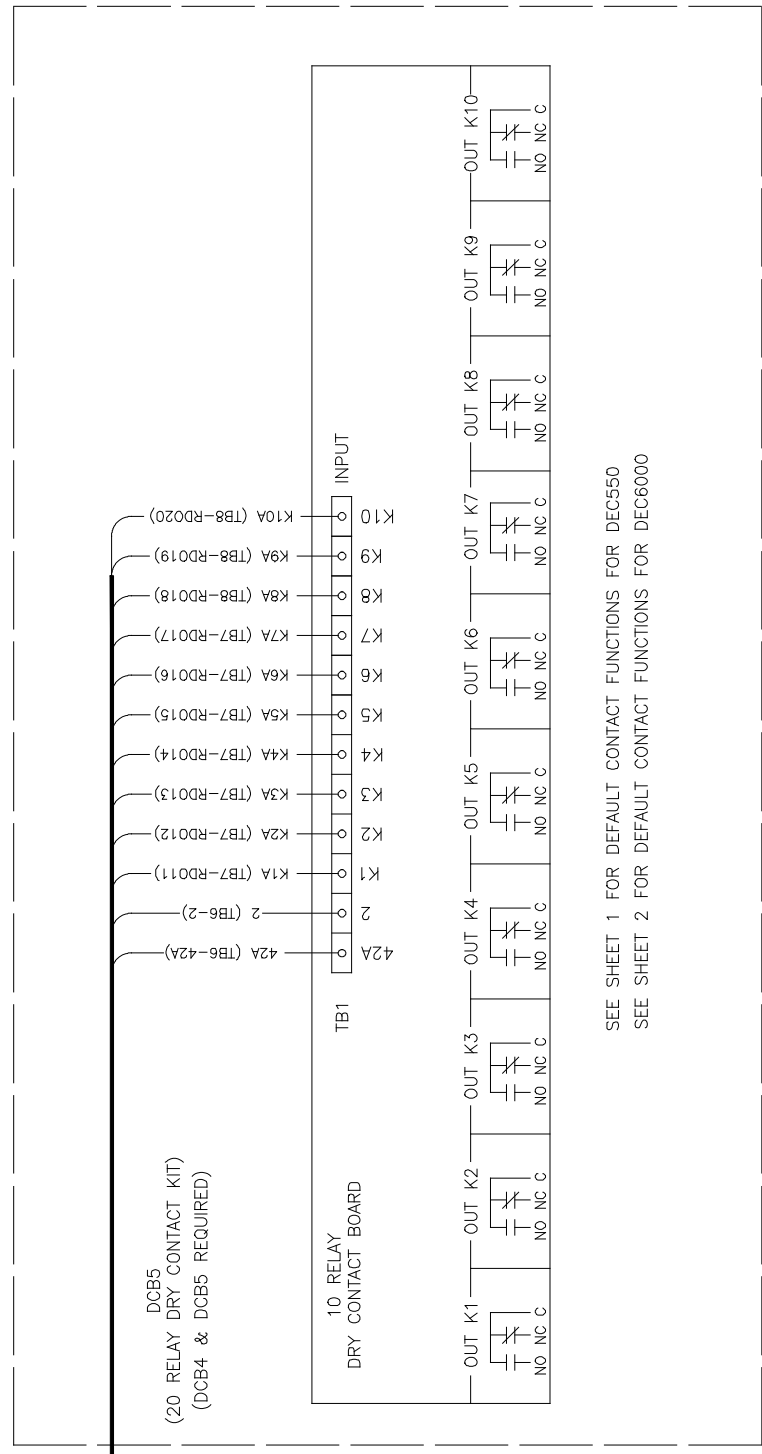




| REV | DATE    | REVISION   | BY  |
|-----|---------|--|-----|
| -   | 9-16-10 | NEW DRAWING [89518-4]  | CRS |
| A   | 2-15-11 | (B-4) 20 RELAY CONTACT WIRING ADDED [91056]                                | CRS |
| B   | 8-3-11  | SHEET 1 AND SHEET 2 CONTACT FUNCTION NOTES ADDED, SEE SHEETS 1 & 2 [92098] | CRS |
| C   | 11-9-11 | (A-1) SHEET 3-4 WAS 3-3 [92522]  | CRS |
| D   | 1-24-12 | (B-5) K1A-K10A LEADS AND LABELS UPDATED TO MATCH HARNESS [92717]           | CRS |



INSTALLATION NOTE:  
FOR FIELD INSTALLATION A MAXIMUM OF TWO WIRE TERMINALS PER TERMINAL STRIP SCREW IS RECOMMENDED UNLESS OTHERWISE NOTED ON THE WIRING DIAGRAM. DO NOT EXTEND ABOVE THE TERMINAL STRIP BARRIER.



DECISION-MAKER 550 & 6000 ACCESSORIES

| UNLESS OTHERWISE SPECIFIED - |                           |
|------------------------------|---------------------------|
| 1) DIMENSIONS                | IN UNLESS NOTED OTHERWISE |
| 2) TOLERANCES                | AS SHOWN                  |
| 3) DIMENSIONS                | AS SHOWN                  |
| 4) DIMENSIONS                | AS SHOWN                  |
| 5) DIMENSIONS                | AS SHOWN                  |
| 6) DIMENSIONS                | AS SHOWN                  |
| 7) DIMENSIONS                | AS SHOWN                  |
| 8) DIMENSIONS                | AS SHOWN                  |
| 9) DIMENSIONS                | AS SHOWN                  |
| 10) DIMENSIONS               | AS SHOWN                  |
| 11) DIMENSIONS               | AS SHOWN                  |
| 12) DIMENSIONS               | AS SHOWN                  |
| 13) DIMENSIONS               | AS SHOWN                  |
| 14) DIMENSIONS               | AS SHOWN                  |
| 15) DIMENSIONS               | AS SHOWN                  |
| 16) DIMENSIONS               | AS SHOWN                  |
| 17) DIMENSIONS               | AS SHOWN                  |
| 18) DIMENSIONS               | AS SHOWN                  |
| 19) DIMENSIONS               | AS SHOWN                  |
| 20) DIMENSIONS               | AS SHOWN                  |
| 21) DIMENSIONS               | AS SHOWN                  |
| 22) DIMENSIONS               | AS SHOWN                  |
| 23) DIMENSIONS               | AS SHOWN                  |
| 24) DIMENSIONS               | AS SHOWN                  |
| 25) DIMENSIONS               | AS SHOWN                  |
| 26) DIMENSIONS               | AS SHOWN                  |
| 27) DIMENSIONS               | AS SHOWN                  |
| 28) DIMENSIONS               | AS SHOWN                  |
| 29) DIMENSIONS               | AS SHOWN                  |
| 30) DIMENSIONS               | AS SHOWN                  |
| 31) DIMENSIONS               | AS SHOWN                  |
| 32) DIMENSIONS               | AS SHOWN                  |
| 33) DIMENSIONS               | AS SHOWN                  |
| 34) DIMENSIONS               | AS SHOWN                  |
| 35) DIMENSIONS               | AS SHOWN                  |
| 36) DIMENSIONS               | AS SHOWN                  |
| 37) DIMENSIONS               | AS SHOWN                  |
| 38) DIMENSIONS               | AS SHOWN                  |
| 39) DIMENSIONS               | AS SHOWN                  |
| 40) DIMENSIONS               | AS SHOWN                  |
| 41) DIMENSIONS               | AS SHOWN                  |
| 42) DIMENSIONS               | AS SHOWN                  |
| 43) DIMENSIONS               | AS SHOWN                  |
| 44) DIMENSIONS               | AS SHOWN                  |
| 45) DIMENSIONS               | AS SHOWN                  |
| 46) DIMENSIONS               | AS SHOWN                  |
| 47) DIMENSIONS               | AS SHOWN                  |
| 48) DIMENSIONS               | AS SHOWN                  |
| 49) DIMENSIONS               | AS SHOWN                  |
| 50) DIMENSIONS               | AS SHOWN                  |
| 51) DIMENSIONS               | AS SHOWN                  |
| 52) DIMENSIONS               | AS SHOWN                  |
| 53) DIMENSIONS               | AS SHOWN                  |
| 54) DIMENSIONS               | AS SHOWN                  |
| 55) DIMENSIONS               | AS SHOWN                  |
| 56) DIMENSIONS               | AS SHOWN                  |
| 57) DIMENSIONS               | AS SHOWN                  |
| 58) DIMENSIONS               | AS SHOWN                  |
| 59) DIMENSIONS               | AS SHOWN                  |
| 60) DIMENSIONS               | AS SHOWN                  |
| 61) DIMENSIONS               | AS SHOWN                  |
| 62) DIMENSIONS               | AS SHOWN                  |
| 63) DIMENSIONS               | AS SHOWN                  |
| 64) DIMENSIONS               | AS SHOWN                  |
| 65) DIMENSIONS               | AS SHOWN                  |
| 66) DIMENSIONS               | AS SHOWN                  |
| 67) DIMENSIONS               | AS SHOWN                  |
| 68) DIMENSIONS               | AS SHOWN                  |
| 69) DIMENSIONS               | AS SHOWN                  |
| 70) DIMENSIONS               | AS SHOWN                  |
| 71) DIMENSIONS               | AS SHOWN                  |
| 72) DIMENSIONS               | AS SHOWN                  |
| 73) DIMENSIONS               | AS SHOWN                  |
| 74) DIMENSIONS               | AS SHOWN                  |
| 75) DIMENSIONS               | AS SHOWN                  |
| 76) DIMENSIONS               | AS SHOWN                  |
| 77) DIMENSIONS               | AS SHOWN                  |
| 78) DIMENSIONS               | AS SHOWN                  |
| 79) DIMENSIONS               | AS SHOWN                  |
| 80) DIMENSIONS               | AS SHOWN                  |
| 81) DIMENSIONS               | AS SHOWN                  |
| 82) DIMENSIONS               | AS SHOWN                  |
| 83) DIMENSIONS               | AS SHOWN                  |
| 84) DIMENSIONS               | AS SHOWN                  |
| 85) DIMENSIONS               | AS SHOWN                  |
| 86) DIMENSIONS               | AS SHOWN                  |
| 87) DIMENSIONS               | AS SHOWN                  |
| 88) DIMENSIONS               | AS SHOWN                  |
| 89) DIMENSIONS               | AS SHOWN                  |
| 90) DIMENSIONS               | AS SHOWN                  |
| 91) DIMENSIONS               | AS SHOWN                  |
| 92) DIMENSIONS               | AS SHOWN                  |
| 93) DIMENSIONS               | AS SHOWN                  |
| 94) DIMENSIONS               | AS SHOWN                  |
| 95) DIMENSIONS               | AS SHOWN                  |
| 96) DIMENSIONS               | AS SHOWN                  |
| 97) DIMENSIONS               | AS SHOWN                  |
| 98) DIMENSIONS               | AS SHOWN                  |
| 99) DIMENSIONS               | AS SHOWN                  |
| 100) DIMENSIONS              | AS SHOWN                  |







**TP-6797 1/13b**

© 2011, 2012, 2013 by Kohler Co. All rights reserved.

# **KOHLER**<sup>®</sup> Power Systems

KOHLER CO. Kohler, Wisconsin 53044  
Phone 920-457-4441, Fax 920-459-1646  
For the nearest sales/service outlet in the  
US and Canada, phone 1-800-544-2444  
KOHLERPower.com

Kohler Power Systems  
Asia Pacific Headquarters  
7 Jurong Pier Road  
Singapore 619159  
Phone (65) 6264-6422, Fax (65) 6264-6455