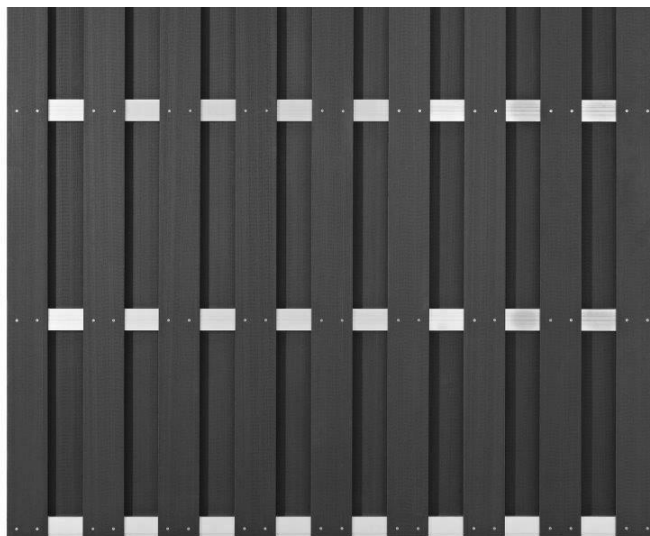


WPC plank fence "IBIZA" ALU



Original installation instructions



Content

Safety Instructions.....	3
Symbols and pictograms.....	3
Storage and principles of assembly.....	4
Preparation for mounting.....	4
Mounting the posts.....	6
General rules for alignment.....	8
Mounting with L-brackets.....	9
Mounting with concealed brackets.....	13
Troubleshooting.....	17
Care and cleaning.....	17
Waste disposal and environmental protection.....	17
Warranty conditions.....	18



Please read these operating instructions completely and carefully. These instructions are part of this product and contain important information on installation and handling. Always observe all safety instructions.






If you have any questions or are unsure about the handling, please contact your dealer.

Please keep these instructions in a safe place and pass them on to third parties if necessary.

Safety Instructions

- Please read these instructions carefully before installation and keep them for future reference.
- Check the packaging and make sure that you have received all the listed parts.
- Do not leave packaging material lying around carelessly. It could be dangerous if played with by children.
- Select a suitable mounting location for your product.
- While preparing the mounting holes, be careful not to drill or dig into any conduits or power cords below the surface.
- If you are unsure about the installation, ask a specialist for advice.

Symbols and pictograms

	<p>General warning symbol – Be alert and observe common hazards. This warning symbol is displayed in conjunction with other signs or symbols. Failure to observe this warning may result in injury or damage to the product.</p>
	<p>Command sign (instead of an exclamation mark, the command may be explained) with information on how to prevent damage.</p>
	<p>Indicator with information for better handling of the product.</p>
	<p>Action symbol – Read this manual carefully and completely.</p>
	<p>CE is the abbreviation for Conformité Européenne and means "Complies with EU directives". With the CE marking, the manufacturer confirms that this product complies with the applicable European directives.</p>

Storage and principles of assembly

Storage before mounting

Before installation, store all WPC elements in a dry place which is protected from sunlight and at the same temperatures as outside on the installation site. This serves to acclimatise the WPC elements to avoid unfavourable stresses.

Please pay special attention to the regulations for fence storage.

- Do not store the fence in an inclined position; store in a horizontal or vertical position to avoid bending or breaking.
- Do not tie the fence too tightly during transport.
- The fence should be handled with special care due as it is very heavy.

General principles

The materials and properties of WPC and wood differ. Process and use WPC only according to the instructions, otherwise possible product defects or injuries may occur. We are not liable for any consequences arising from the failure to observe this instruction.

All illustrations and instructions in this guide are for reference purposes only. All construction work must be carried out in accordance with local laws and building regulations.

At each stage of construction, especially when cutting the profiles, please make sure that you are equipped with protective clothing and protective equipment such as safety goggles, gloves, mask, etc. We are always at your disposal in case of questions or problems.

Preparation for mounting

Handling



Important: Compared to wood, WPC has a higher specific weight and greater elasticity. Special care must be taken during handling. When handling WPC profiles, please note that their weight differs from that of normal construction timber

Important: Never screw directly into the profiles! Always make a pilot hole first.

Legal information



Important: Ensure that the fence is installed in accordance with local laws and relevant regulations.

Assembly tools

Standard tools for woodworking:

Hand or table saw, cordless drill, angle grinder, drill

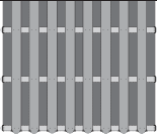
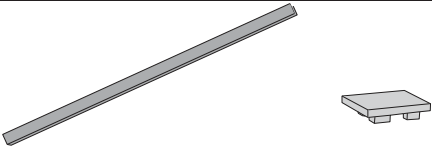



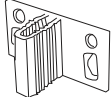
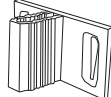
Other assembly tools:


Spirit level, measuring tape, plumb bob, screwdriver, pencil for marking, calculator



Required articles

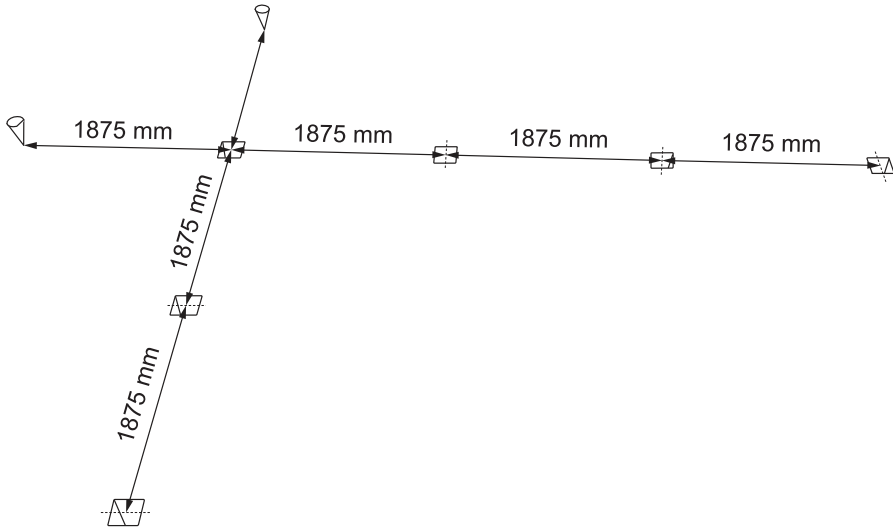
 <p>Fence element</p>	 <p>Aluminium post including post cap</p> <ul style="list-style-type: none"> - (to be fixed with post support) - (to be set in concrete) 	<p>H-beam post</p>
--	---	--------------------

<p style="text-align: center;">For open mounting</p>  <p style="text-align: center;">L-bracket</p>	<p style="text-align: center;">For concealed</p> <div style="display: flex; justify-content: space-around;"> <div data-bbox="646 1175 757 1272">  <p style="text-align: center;">Bracket for upper cross beams</p> </div> <div data-bbox="905 1175 1016 1272">  <p style="text-align: center;">Bracket for medium and lower cross</p> </div> </div>
--	---

	<p>Important: The posts may only be mounted using the appropriate post supports. Alternatively, you can use posts which can be set into the ground.</p>
---	--

Mounting the posts

Set the course

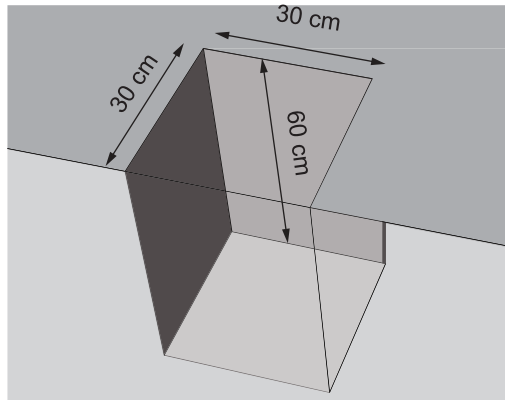


- Plan and mark the position of the fences to be erected, particularly the position of the posts. The distance from post centre to post centre must be 1875 mm.
- The course of the fence can be diverted 90° at the posts (not possible with T-brackets).

Lay the foundation

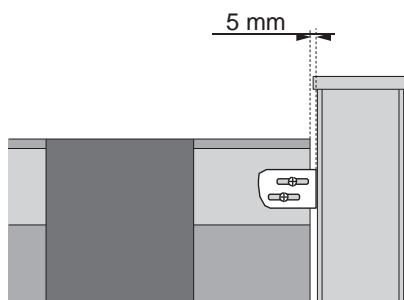
Hint: Screws screwed into the post in the area to be concreted provide additional stability. Remember to always drill a pilot hole.

Install the aluminium posts first. If the ground is loose, such as in the case of a lawn, use an aluminium post for concreting in. To do this, dig appropriate holes (depth depending on the desired post height, but at least 60 cm; diameter 30 cm) and insert the aluminium posts. Then fill the holes with concrete. As the concrete hardens, ensure that the posts are straight and that the distance between the two posts – where the fence element will be placed – is correct and even (see page 8 "General rules for alignment"). The concrete must be allowed to harden completely before the fence element is attached. Please observe the processing instructions on the concrete packaging. In the case of a solid substrate such as a stone terrace, use an aluminium post for screwing to the **H-beam post** (available separately) which is firmly connected to the substrate using appropriate plugs and screws or set in concrete according to the specifications.

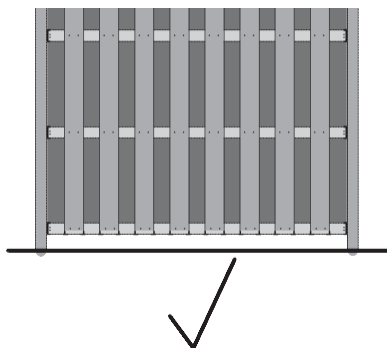


ATTENTION: Use a spirit level to align the posts precisely. Ensure the correct distance between the aluminium posts in order to install the fence elements with precision (see page 8 "General rules for alignment").

General rules for alignment

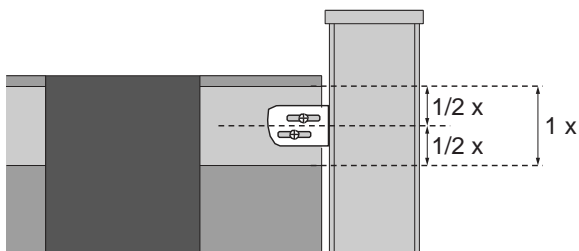


When aligning the fence elements, make sure that there is a distance of at least 5 mm between the post and the fence element.

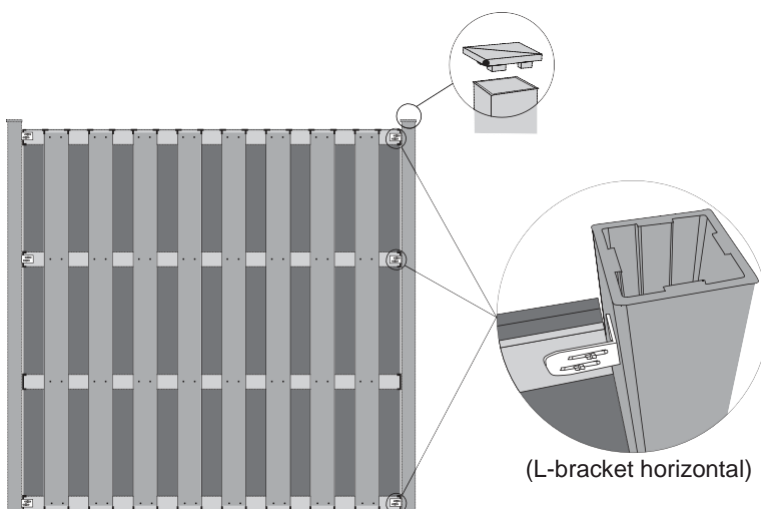


It is strongly recommended that the fence is mounted in such a way that it does not rest on the ground.

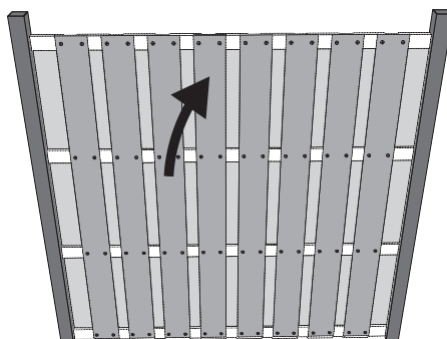
Mounting with L-brackets



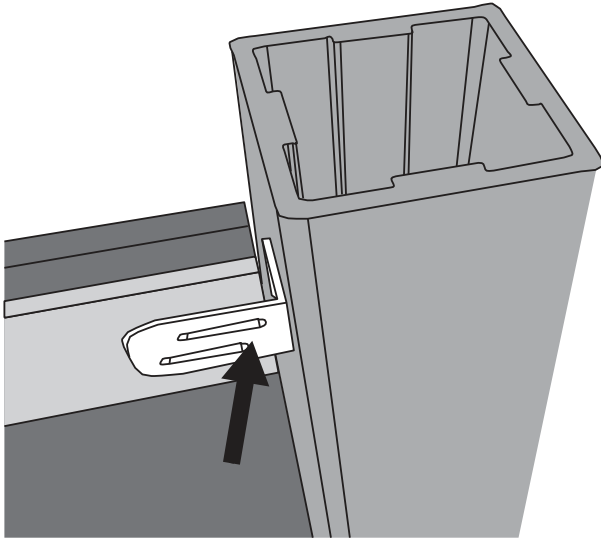
The brackets must be placed centrally between the cross beams and posts.



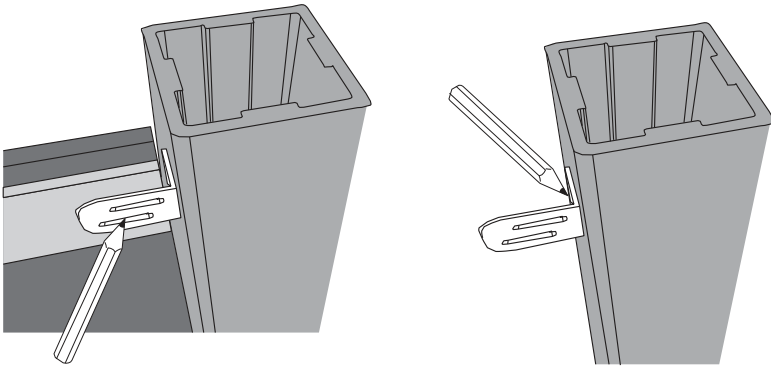
Position of the L-brackets



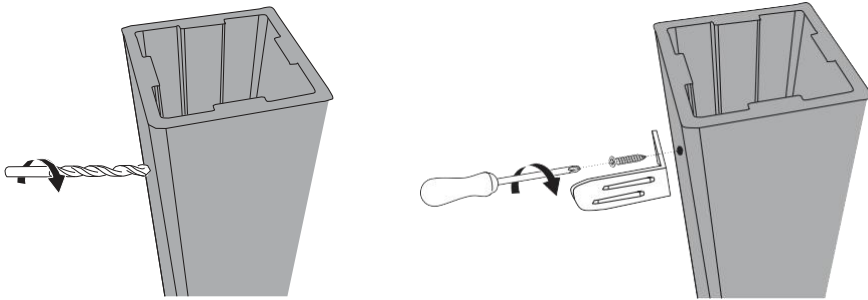
1. Place the fence element between two posts in its ultimate end position. Support it if necessary.



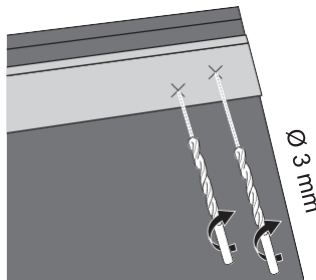
2. Place the L-bracket in the appropriate position on the post and the fence element.



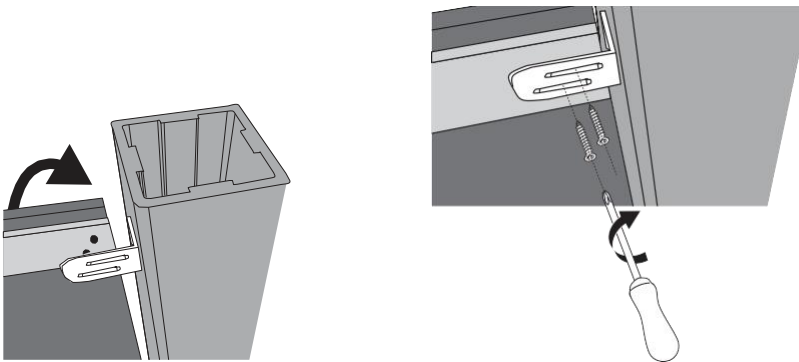
3. Mark the locations for the screw holes on the cross beams of the fence element and on the post.



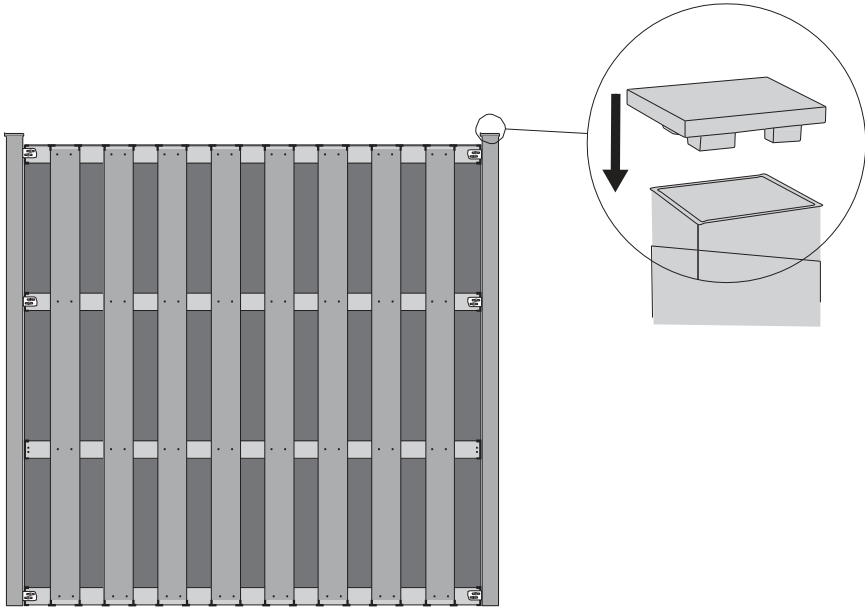
4. Drill all screw holes in the posts.
5. Affix all 6 L-brackets to the posts using one screw for each.



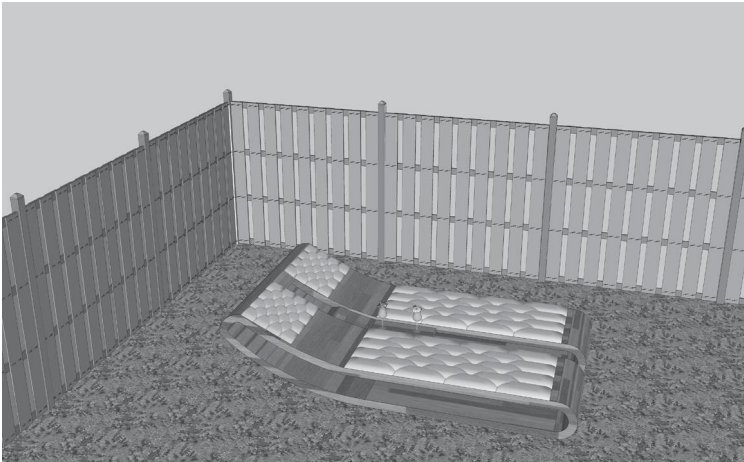
6. Drill the screw holes in the cross beams of the fence element.
 - The drilling must be at right angles to the cross beam.
 - Do not drill through the other side of the fence, as this would impair the weather protection and aesthetics of the fence. The hole should be only slightly deeper than the screw length. Mark a depth limit on the drill if necessary.



7. Place the fence element on the L-brackets. Make sure there is at least 5 mm clearance between the fence element and the post.
8. Screw the fence element to all 6 L-brackets using 2 screws for each. These must be screwed in the middle of the slotted hole.

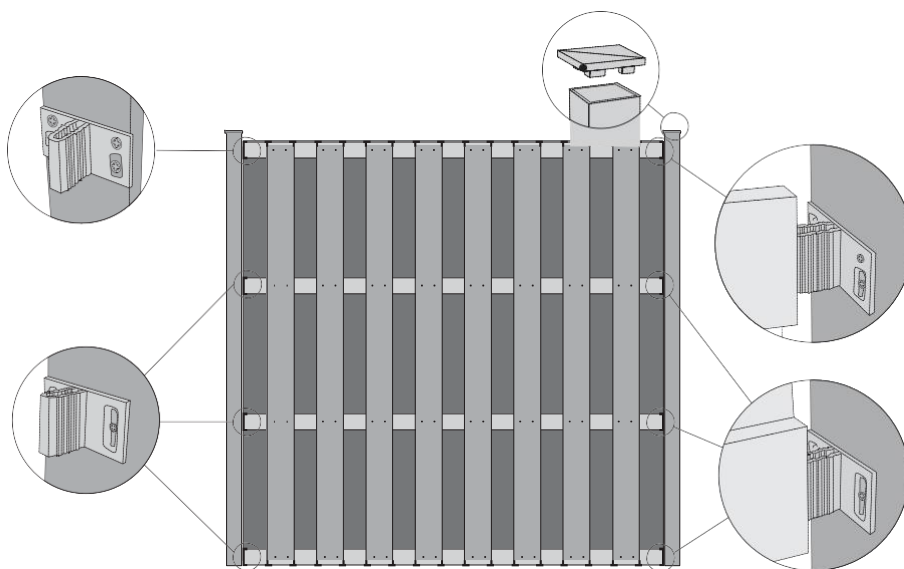


9. Finally, mount the post caps.
10. Repeat the process with the remaining fence elements.

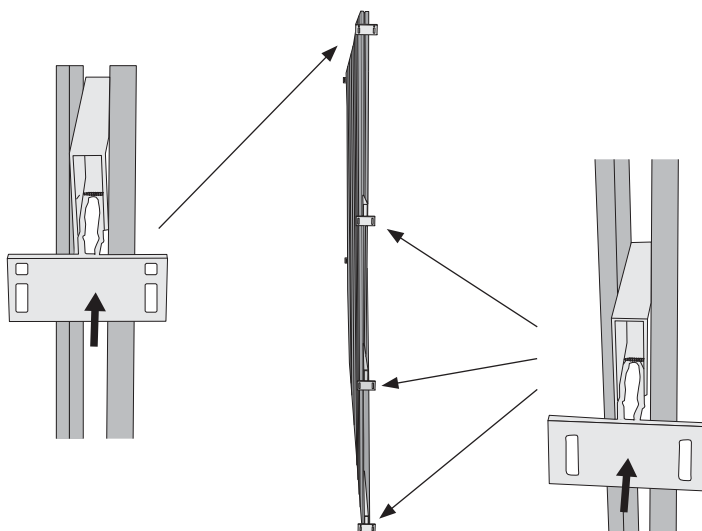


The installation is now completed.

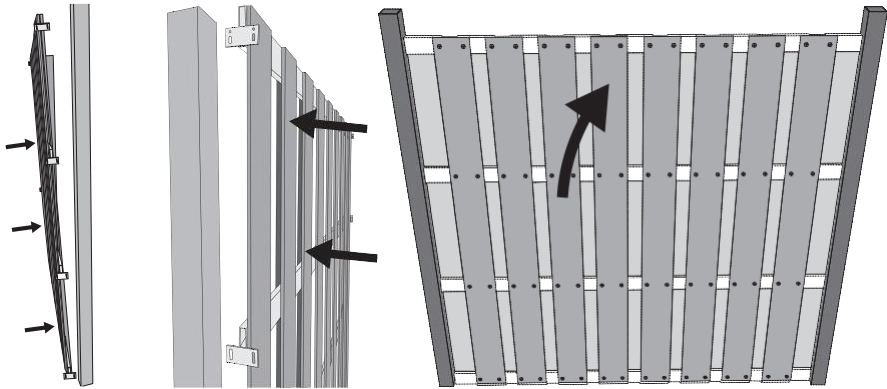
Mounting with concealed brackets



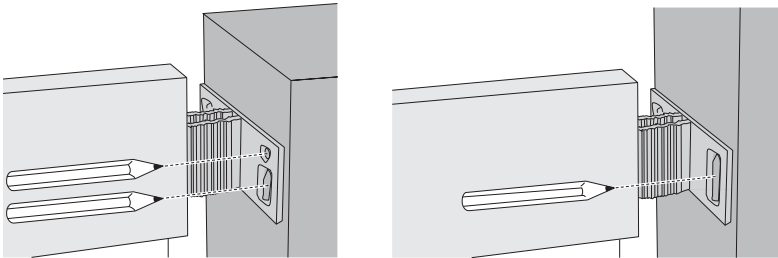
Position of the individual elements



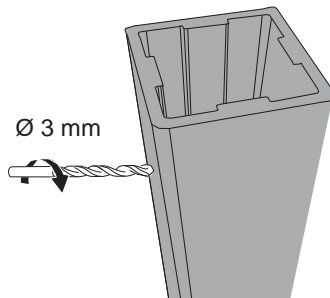
1. Place the brackets in the cross beams of the fence element. Make sure that you use different brackets for the upper cross beam than for the other cross beams.



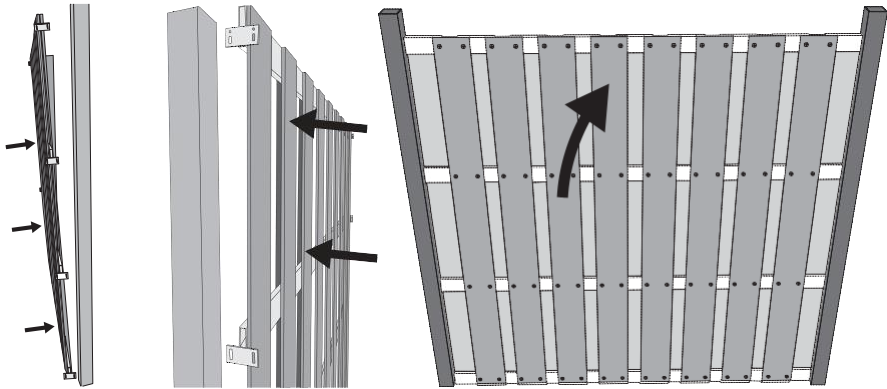
2. Place the fence element between the posts in the future end position.



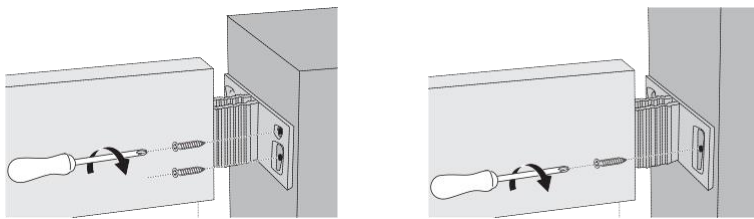
3. Mark the locations for the screw holes on the posts.
 - 4 screws are required for each of the upper brackets.
 - 2 screws are required for each of the middle and lower brackets.



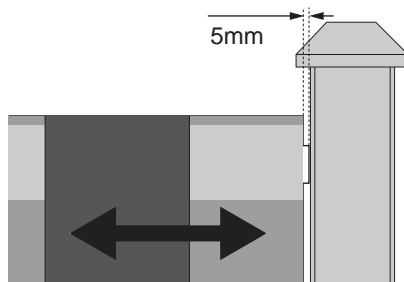
4. Drill the screw holes into the posts.



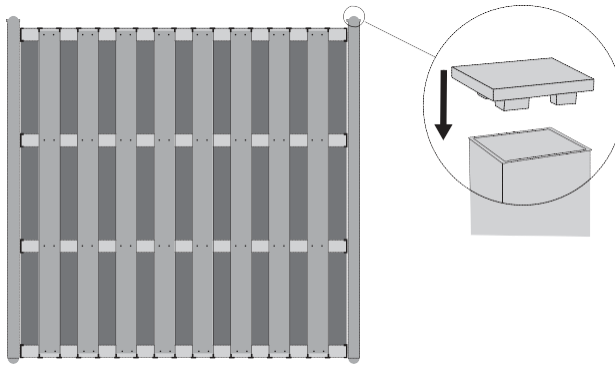
5. Place the fence element with the brackets between the posts again.



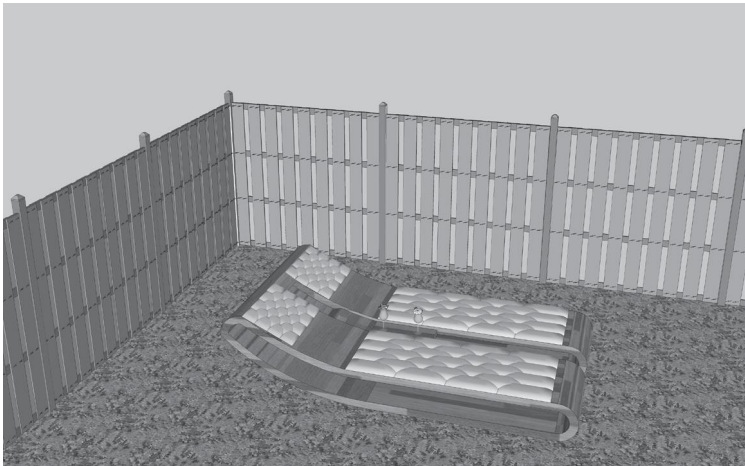
6. Screw the brackets to the posts.



7. Align the fence element laterally. Make sure that there is a minimum distance of 5 mm between the fence element and the post.



8. Finally, mount the post caps.



The installation is now completed.

Troubleshooting

PROBLEM	CAUSE	SOLUTION
Pulling to one side	<ul style="list-style-type: none">• Fence connector is attached in the wrong direction.• The screws are not located centrally in the slotted hole on the bracket.• Post is not straight or is tilted.	<ul style="list-style-type: none">• Reattach the fence connector.• Install the screws in the correct position.• Realign and reinforce the posts.

Care and cleaning

All building materials for outdoor applications must be cleaned. In general, household cleaners (soap or detergent) and water are sufficient for cleaning WPC products.

PROBLEM	SOLUTION
Dirt and deposits	To remove dirt from the surface, use warm soapy water and a soft brush.
Ice and snow	Use a soft brush to remove snow from the fence element.
Oil and grease	Briefly rinse the affected area with water. Then clean with warm soapy water and a soft brush.
Mildew	If deposits on the fence are not removed quickly enough, residues such as pollen can turn into mould. Your fence should therefore be cleaned at regular intervals. If mould is already present, remove these spots with warm soapy water and a soft brush.

Waste disposal and environmental protection

General

Dispose of the product at the end of its service life in accordance with the applicable legal regulations.

Warranty conditions

This product is covered by statutory warranty.
Claims must be filed as soon as they are established.

The right to warranty claims expires in case of interventions by the buyer or third parties. Damage due to incorrect handling or use, incorrect placement or storage, improper connection or installation, as well as due to force majeure or external influences is not covered by the warranty. We recommend that you read these operating instructions carefully as they contain important information.

Clues:

1. If the product does not work, check that it is being used in line with the intended use.
2. Please enclose the following documents if you are returning a faulty product:
 - Detailed description of the problem.