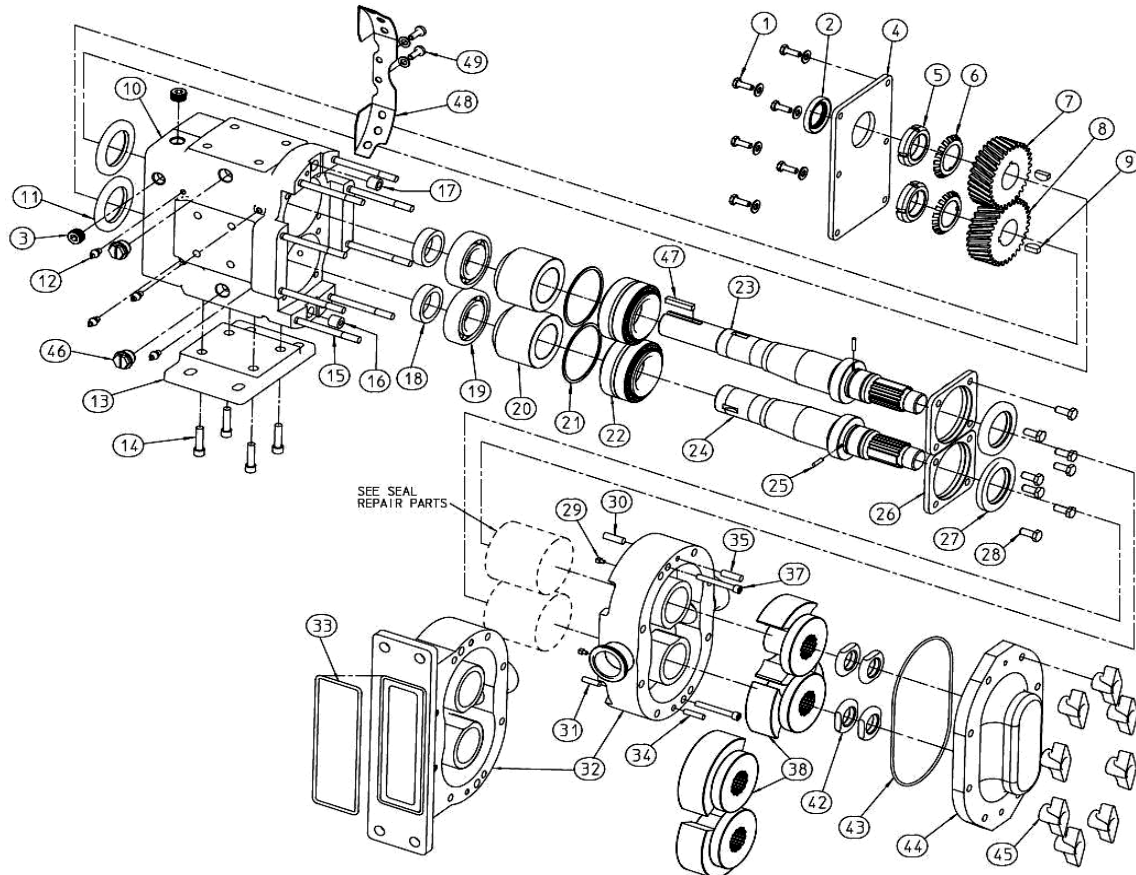


[Back to Index](#)

Prices are subject to change without notice. Ex-works, Cedar Falls, IA USA

Part numbers provided by Wright Flow Technologies are standard parts or options for this model. Any modifications to part numbers or pricing made to this document are the responsibility of the authorized Wright Flow distributor. It is recommended that the pump serial number be provided for verification of actual part numbers required for a specific pump.

Parts List - TRA10: 0060, 0150, 0180, 0240



Item	Description	Wright Flow Item No.	List (ea)	Quantity Req'd	Notes
1	Capscrew, Gear Case Cover, SS	0200HHCSGCC-SS		6	
1a	Washer GC Cover Capscrew, SS	0200GCCWSH-SS		6	
2	Oil Seal - Gear Case Cover	WT0150GCSC		1	B-KIT
3	Oil Level, Drain Plug, SS	WTOILPLUG250-75T-SS		4	
4	Gear Case Cover, Steel (Powder Coated, White)	WT0200GCC-02		1	
	Gear Case Cover, Stainless Steel	WT0200GCC-01			
5	Lock Nut - Gear	WT005LNUT		2	B-KIT
6	Lock Washer - Gear	WT005LWSH		2	B-KIT
7	Gear Drive Shaft	WT0150GR1		1	
8	Gear Short Shaft	WT0150GR2		1	
9	Key, Gear	WT0150GDK		2	B-KIT

Parts List - TRA10: 0060, 0150, 0180, 0240

Item	Description	Wright Flow Item No.	List (ea)	Quantity Req'd	Notes
10	Gear Case, Cast Iron (Powder Coated, White)	WT0200GC-02		1	
	Gear Case, Stainless Steel	WT0200GC-01			
11	Oil Seal Rear	WT0150GCSR		2	B-KIT
12	Grease Fitting ¼-28, SS	WT0600GFITTING-SS		8	
13	Gear Case Base, Cast Iron (Powder Coated, White)	WT0200GCB-02		1	
	Gear Case Base, Stainless Steel	WT0200GCB-01			
14	Socket Head Capscrew, Mounting Shim, SS	0200SHCSGCB-SS		4	
15	0060-0150 Stud for Standard Cover	WT0150STUD		8	
	0060-0150 Stud for Jacketed Cover	WT0150STUDJ			
	0180 Stud for Standard Cover	WT0180STUD			
	0180 Stud for Jacketed Cover	WT0180STUDJ-TRA20			
	0240 Stud for Standard Cover (6 used, plus 2 below)	WT0180STUD		6	
	0240 Stud for Standard Cover (2 used, plus 6 above)	WT0240STUD		2	
	0240 Stud for Jacketed Cover (6 used, plus 2 below)	WT0180STUDJ-TRA20		6	
0240 Stud for Jacketed Cover (2 used, plus 6 above)	WT0240STUDJ		2		
16	Dowel Bushing, Lower	WT0150-116-1		1	
17	Dowel Bushing, Upper	WT0150-116		1	
18	Spacer Gear to Rear Bearing	WT0150GSP		2	
19	Rear Bearing	WT0150BRGR		2	B-KIT
20	Spacer Bearing	WT0150BSP-TRA20		2	1
	Spacer Bearing	WT0150BSP			4
21	Shim Kit	WT0150SHIMKIT-TRA20		2	1, B-KIT
	Shim Kit	WT0150SHIMKIT			4, B-KIT
22	Front Bearing	WT0150BRGF-TRA20		2	1, B-KIT
	Front Bearing	WT0150BRGF			4, B-KIT
23	Drive Shaft (316L SS) Model 0060-0150 TRA10	WT0150DS-08		1	1
	Drive Shaft (316L SS) Model 0180-0240 TRA10	WT0180DS-08			4
	Drive Shaft (316L SS) Model 0060-0150 TRA10	WT0150DS			
	Drive Shaft (316L SS) Model 0180-0240 TRA10	WT0180DS			
24	Short Shaft (316L SS) Model 0060-0150 TRA10	WT0150SS-08		1	1
	Short Shaft (316L SS) Model 0180-0240 TRA10	WT0180SS-08			4
	Short Shaft (316L SS) Model 0060-0150 TRA10	WT0150SS			
	Short Shaft (316L SS) Model 0180-0240 TRA10	WT0180SS			
25	Drive Pin	WTCD0126		2	
26	Bearing Retainer Front	WT0150BRF-08		2	2
	Bearing Retainer Front	WT0150BRF-TRA20			3
	Bearing Retainer Front	WT0150BRF			4
27	Grease Seal Front Brg Ret	WT0150BRGSR-08		2	2, B-KIT
	Grease Seal Front Brg Ret	WT0150BRGSR-TRA20			3, B-KIT
	Grease Seal Front Brg Ret	WT0150BRGSR			4, B-KIT
28	1/4-20 x .625 BHCS, Std (TRA10-0060)	0200BHCSBRGR-SS		8	
29	Stop Pin Seal	WT0150SPIN		2	
30	Dowel Pin, Upper Gear Case Side	WT0150040R		1	
31	Dowel Pin, Lower Gear Case Side	WT0150040R10		1	
32	Pump Body	See notes		1	7
33	Rectangular Flange O Ring - Buna	N70245		1	
34	Dowel (lower cover)	WT01500401		1	
35	Dowel (upper cover)	WT0150040		1	

Parts List - TRA10: 0060, 0150, 0180, 0240

Item	Description	Wright Flow Item No.	List (ea)	Quantity Req'd	Notes
37	Body Retaining Screw	WT0150RETSREW		2	
	Body Retaining Screw Model 0180-0240	WT0180RETSREW			
38	Twin Blade Rotor, #808 Alloy, 0060 TRA10, Std Clearance	WA0060RTB-N1-00		2	8
	Twin Blade Rotor, #808 Alloy, 0060 TRA10, Hot	WA0060RTB-N2-00			
	Twin Blade Rotor, #808 Alloy, 0060 TRA10, Chocolate	WA0060RTB-N3-00			
	Twin Blade Rotor, #808 Alloy, 0060 TRA10, Front Face	WA0060RTB-N4-00			
	Twin Blade Rotor, #808 Alloy, 0150 TRA10, Std Clearance	WA0150RTB-N1-00			
	Twin Blade Rotor, #808 Alloy, 0150 TRA10, Hot	WA0150RTB-N2-00			
	Twin Blade Rotor, #808 Alloy, 0150 TRA10, Chocolate	WA0150RTB-N3-00			
	Twin Blade Rotor, #808 Alloy, 0150 TRA10, Front Face	WA0150RTB-N4-00			
	Twin Blade Rotor, #808 Alloy, 0180 TRA10, Std Clearance	WA0180RTB-N1-00			
	Twin Blade Rotor, #808 Alloy, 0180 TRA10, Hot	WA0180RTB-N2-00			
	Twin Blade Rotor, #808 Alloy, 0180 TRA10, Chocolate	WA0180RTB-N3-00			
	Twin Blade Rotor, #808 Alloy, 0180 TRA10, Front Face	WA0180RTB-N4-00			
42	Jam Nut	WT0150NUT		4	
43	Cover O Ring - Buna	N70252		1	E-KIT
	Cover O Ring - Silicone	S75252			
	Cover O Ring - Viton®	V70252			
	Cover O Ring - EPDM	E70252			
44	Pump Cover	WT0150CVRS		1	
	Pump Cover - Jacketed	WT0150CVRJ			
45	Wing Nut	WT0150WNUT		8	
	Hex Nut	WT0150HEXNUT			
46	Large Cleanout Plug	0200COPLUG		4	
47	Drive Shaft Key, 3/16 X 3/16 X 1 1/8	WT0150DRIVEKEY		1	
48	Seal Guards, SS	WT0200GRD-04		4	
49	Fastner, Seal Guard	0150GUARDSCRW		8	
49a	Washer, Seal Guard	WT0150GUARDWSH		8	
49b	M3.5 CAPTIVE WASHER-SS	WT-M3.5-CAPTIVEWSH-SS		8	
	Grease Fitting Cap, Red Plastic	WTGREASECAP		8	
	Nameplate	WTNAMEPLATE3A		1	
	Nameplate Rivet	WTNPRIVET		4	
	Plastic Cap Tapped Holes, Mounting Pad	0200PADPLUG		12	
	O Ring Removal Tool	WT096RT			T-Kit
	Rotor Nut Wrench	WT0150WR			T-Kit
	Spanner Wrench - 0060-0240 (for lock nut)	WT0150SPWR			
	Oil, Magna-Plate 460-FG, 1-gal	WT140MOIL			
	Grease Halo-Guard FG-2LT00 (1 lb tube)	WT142GREASE			
RTV	Sealant RTV	WTRTVSEAL			B-KIT
LUB	Seal Face & Elastomer Installation Lubrication (10 mil tube)	1-908-049-999-00		1	E-KIT, S-KIT, SF-KIT
	Nylon Block - Rotor Locking Tool	Z94-8877-06			T-Kit
	IOM Manual - TRA10 Series Pumps	WT-TSM-TRA10			T-Kit

Notes:

[Back to Index](#)

- 1 For Wright pumps manufactured after 01/01/09 and Waukesha pumps manufactured after July 2001
- 2 For Wright pumps manufactured after 01/01/09 and Waukesha pumps manufactured after 07/12/04
- 3 For Waukesha pumps manufactured between July 2001 and 07/12/04
- 4 For Wright pumps manufactured before 01/01/09 and Waukesha pumps manufactured before July 2001
- 7 Contact Wright Flow Technologies for more information

Parts List - TRA10: 0060, 0150, 0180, 0240

8 Common clearances are shown. Contact the factory for additional clearances, oversizes, materials, and finishes

E-KIT Elastomer Kit - These items are included in an elastomer kit (at the listed quantities per pump) See the Seal Pages for Elastomer Kits

T-KIT	Tool Kit - These items are included in the tool kit	WA0150-TOOL-KIT		1
-------	---	-----------------	--	---

B-KIT Bearing Kit - These items are included in a bearing kit (at the listed quantities per pump) - see below:

B-KIT	Model 0060, 0150, 0180, 0240 TRA10 Bearing Kit. See note 2 above.	WT0150BK/08		1	Includes Items 2, 5, 6, 9, 11, 19, 21, 22, 27, RTV
	Model 0060, 0150, 0180, 0240 TRA10 Bearing Kit. See note 3 above.	WT0150BK/TRA20			
	Model 0060, 0150, 0180, 0240 TRA10 Bearing Kit. See note 4 above.	WT0150BK			

Viton® is a registered trademark of DuPont Performance Elastomers

Wright Flow Technologies, Inc. grants license to its authorized distributors to copy, modify and distribute these repair parts sheets to their customers as necessary to meet business needs.

[Back to Index](#)

Prices are subject to change without notice. Ex-works, Cedar Falls, IA USA
Part numbers provided by Wright Flow Technologies are standard parts or options for this model. Any modifications to part numbers or pricing made to this document are the responsibility of the authorized Wright Flow distributor. It is recommended that the pump serial number be provided for verification of actual part numbers required for a specific pump.

Sealing Parts List - TRA10: 0060, 0150, 0180, 0240

Single O-ring Seal					
<p style="text-align: center;">SINGLE O-RING SEAL</p>					
Complete Kits: (one elastomer kit and one seal face kit is used per pump)					
Elastomer Kits (includes the items in the notes section at the listed quantities per pump for each of those items)					
Item	Description	Wright Flow Item No.	List (ea)	Quantity Req'd	Notes
E-Kit	Single O Ring Elastomer Kit, Buna	WA0150EK/SO/B		1	Includes Items 43, 101, 102, LUB
	Single O Ring Elastomer Kit, EPDM	WA0150EK/SO/E			
	Single O Ring Elastomer Kit, Viton	WA0150EK/SO/V			
	Single O Ring Elastomer Kit, Silicone	WA0150EK/SO/S			
Sleeve Kits (includes the items in the notes section at the listed quantities per pump for each of those items)					
S-Kit	Sleeve Kit - Stainless Steel	WA0150SK/S		1	Includes Items 103, LUB
	Sleeve Kit - Zirconia	WA0150SK/Z			
	Sleeve Kit - Chrome Oxide	WA0150SK/X			
Individual Parts:					
Item	Description	Wright Flow Item No.	List (ea)	Quantity Req'd	Notes
101	Body O Ring - Buna	AD0079000		2	E-KIT
	Body O Ring - EPDM	AD0079002			
	Body O Ring - Viton®	AD0079V00			
	Body O Ring - Silicone	AD0079SC0			
102	Shaft O Ring - Buna	N70022		2	E-KIT
	Shaft O Ring - EPDM	E70022			
	Shaft O Ring - Viton®	V70022			
	Shaft O Ring - Silicone	S75022			
103	Sleeve SS	WT0150SLV		2	S-KIT
	Sleeve Zirconia	WT0150SLVZ			
	Chrome Oxide Coated SS Sleeve	WT0150COXSLV			
Notes:					
E-KIT Elastomer Kit - These items are included in an elastomer kit (at the listed quantities per pump)					
S-KIT Sleeve Kit - These items are included in a sleeve kit (at the listed quantities per pump)					

Sealing Parts List - TRA10: 0060, 0150, 0180, 0240

Double O-ring Seal					
<p style="text-align: center;">DOUBLE O-RING SEAL</p>					
<p>Complete Kits: (one elastomer kit and one seal face kit is used per pump)</p> <p>Elastomer Kits (includes the items in the notes section at the listed quantities per pump for each of those items)</p>					
Item	Description	Wright Flow Item No.	List (ea)	Quantity Req'd	Notes
E-Kit	Double O Ring Elastomer Kit - Buna	WA0150EK/DO/B		1	Includes Items 43, 111, 112, 115, LUB
	Double O Ring Elastomer Kit - EPDM	WA0150EK/DO/E			
	Double O Ring Elastomer Kit - Viton	WA0150EK/DO/V			
	Double O Ring Elastomer Kit - Silicone	WA0150EK/DO/S			
<p>Sleeve Kits (includes the items in the notes section at the listed quantities per pump for each of those items)</p>					
S-Kit	Sleeve Kit - Stainless Steel	WA0150SK/S		1	Includes Items 113, LUB
	Sleeve Kit - Zirconia	WT0150SLVZ			
	Sleeve Kit - Chrome Oxide	WT0150COXSLV			
<p>Individual Parts:</p>					
Item	Description	Wright Flow Item No.	List (ea)	Quantity Req'd	Notes
111	Body O Ring - Buna	AD0079000		4	E-KIT
	Body O Ring - EPDM	AD0079002			
	Body O Ring - Viton®	AD0079V00			
	Body O Ring - Silicone	AD0079SC0			
112	Shaft O Ring - Buna	N70022		2	E-KIT
	Shaft O Ring - EPDM	E70022			
	Shaft O Ring - Viton®	V70022			
	Shaft O Ring - Silicone	S75022			
113	Sleeve SS	WT0150SLV		2	S-KIT
	Sleeve Zirconia	WT0150SLVZ			
	Chrome Oxide Coated SS Sleeve	WT0150COXSLV			
114	O Ring Seal Carrier	WT0150SLCAR-08		2	2
	O Ring Seal Carrier	WT0150SLCAR			5
115	Outer Seal O Ring - Buna	N50228		2	E-KIT
	Outer Seal O Ring - EPDM	E50228			
	Outer Seal O Ring - Viton®	V50228			
<p>Notes</p> <p>2 For Wright pumps manufactured after 01/01/09 and Waukesha pumps manufactured after 07/12/04</p> <p>5 For Wright pumps manufactured before 01/01/09 and Waukesha pumps manufactured before 07/12/04</p> <p>E-KIT Elastomer Kit - These items are included in an elastomer kit (at the listed quantities per pump)</p> <p>S-KIT Sleeve Kit - These items are included in a sleeve kit (at the listed quantities per pump)</p>					

Sealing Parts List - TRA10: 0060, 0150, 0180, 0240

Single Mechanical Seal					
<p style="text-align: center;">SINGLE MECHANICAL SEAL FOR TRA10</p>					
<p>Complete Kits: (one elastomer kit and one seal face kit is used per pump)</p> <p>Elastomer Kits (includes the items in the notes section at the listed quantities per pump for each of those items)</p>					
Item	Description	Wright Flow Item No.	List (ea)	Quantity Req'd	Notes
E-KIT	Single Mechanical Elastomer Kit - Buna	WA0150EK/SM/B		1	Includes Items 43, 121, 122, LUB
	Single Mechanical Elastomer Kit - EPDM	WA0150EK/SM/E			
	Single Mechanical Elastomer Kit - Viton	WA0150EK/SM/V			
	Single Mechanical Elastomer Kit - Silicone	WA0150EK/SM/S			
<p>Seal Face Kits (includes the items in the notes section at the listed quantities per pump for each of those items)</p>					
SF-KIT	Single Mechanical Seal Face Kit - SIC/SIC	WA0150SFK/SCC		1	Includes Items 43, 123, 124, 125, LUB
	Single Mechanical Seal Face Kit - CAR/CER	WA0150SFK/SRN			
	Single Mechanical Seal Face Kit - COX/COX	WA0150SFK/SXX			
<p>Individual Parts:</p>					
Item	Description	Wright Flow Item No.	List (ea)	Quantity Req'd	Notes
121	Body O Ring - Buna	AD0079000		2	E-KIT
	Body O Ring - EPDM	AD0079002			
	Body O Ring - Viton®	AD0079V00			
	Body O Ring - Silicone	AD0079SC0			
122	Shaft O Ring - Buna	N70022		2	E-KIT
	Shaft O Ring - EPDM	E70022			
	Shaft O Ring - Viton®	V70022			
	Shaft O Ring - Silicone	S75022			
123	Seal Seat Ceramic	WT0150SLSTCER		2	SF-KIT
	Seal Seat Silicone Carbide	WT0150SLSTSIC			
	SEAL SEAT CHROME OXIDE	WT0150SLSTCOX			
124	Seal Inner Carbon - 1 piece	WT0150SLNCAR		2	SF-KIT
	Seal Inner Ceramic	WT0150SLNCER			
	Seal Inner Silicone Carbide	WT0150SLNSIC			
	SEAL INNER CHROME OXIDE	WT0150SLNCOX			
125	Wave Spring	WT0150WSPRING		2	SF-KIT
<p>Notes:</p> <p>E-KIT Elastomer Kit - These items are included in an elastomer kit (at the listed quantities per pump)</p> <p>SF-KIT Seal Face Kit - These items are included in a seal face kit (at the listed quantities per pump)</p>					

Sealing Parts List - TRA10: 0060, 0150, 0180, 0240

Double Mechanical Seal					
<p style="text-align: center;">DOUBLE MECHANICAL SEAL FOR TRA10</p>					
Complete Kits: (one elastomer kit and one seal face kit is used per pump)					
Elastomer Kits (includes the items in the notes section at the listed quantities per pump for each of those items)					
Item	Description	Wright Flow Item No.	List (ea)	Quantity Req'd	Notes
E-Kit	Double Mechanical Elastomer Kit - Buna	WA0150EK/DM/B		1	Includes Items 43, 131, 132, 136, LUB
	Double Mechanical Elastomer Kit - EPDM	WA0150EK/DM/E			
	Double Mechanical Elastomer Kit - Viton	WA0150EK/DM/V			
	Double Mechanical Elastomer Kit - Silicone	WA0150EK/DM/S			
Seal Face Kits (includes the items in the notes section at the listed quantities per pump for each of those items)					
SF-KIT	Double Mechanical Seal Face Kit - SIC/SIC/CAR	WA0150SFK/DCCN		1	Includes Items 133, 134, 135, 137, LUB
	Double Mechanical Seal Face Kit - CAR/CER/CAR	WA0150SFK/DRNN			
	Double Mechanical Seal Face Kit - COX/COX/CAR	WA0150SFK/DXXN			
Individual Parts:					
Item	Description	Wright Flow Item No.	List (ea)	Quantity Req'd	Notes
131	Body O Ring - Buna	AD0079000		2	E-KIT
	Body O Ring - EPDM	AD0079002			
	Body O Ring - Viton®	AD0079V00			
	Body O Ring - Silicone	AD0079SC0			
132	Shaft O Ring - Buna	N70022		2	E-KIT
	Shaft O Ring - EPDM	E70022			
	Shaft O Ring - Viton®	V70022			
	Shaft O Ring - Silicone	S75022			
133	Seal Seat Ceramic	WT0150SLSTCER		2	SF-KIT
	Seal Seat Silicone Carbide	WT0150SLSTSIC			
	SEAL SEAT CHROME OXIDE	WT0150SLSTCOX			
134	Seal Inner Carbon - 1 piece	WT0150SLINCAR		2	SF-KIT
	Seal Inner Ceramic	WT0150SLINCER			
	Seal Inner Silicone Carbide	WT0150SLINSIC			
	SEAL INNER CHROME OXIDE	WT0150SLINCOX			
135	Wave Spring	WT0150WSPRING		2	SF-KIT
136	Outer Seal O Ring - Buna	N50228		2	E-KIT
	Outer Seal O Ring - EPDM	E50228			
	Outer Seal O Ring - Viton®	V50228			
137	Seal Outer Carbon - 1 piece	WT0150SLOTRC		2	SF-KIT
Notes:					
E-KIT Elastomer Kit - These items are included in an elastomer kit (at the listed quantities per pump)					Back to Index
SF-KIT Seal Face Kit - These items are included in a seal face kit (at the listed quantities per pump)					

Viton® is a registered trademark of DuPont Performance Elastomers

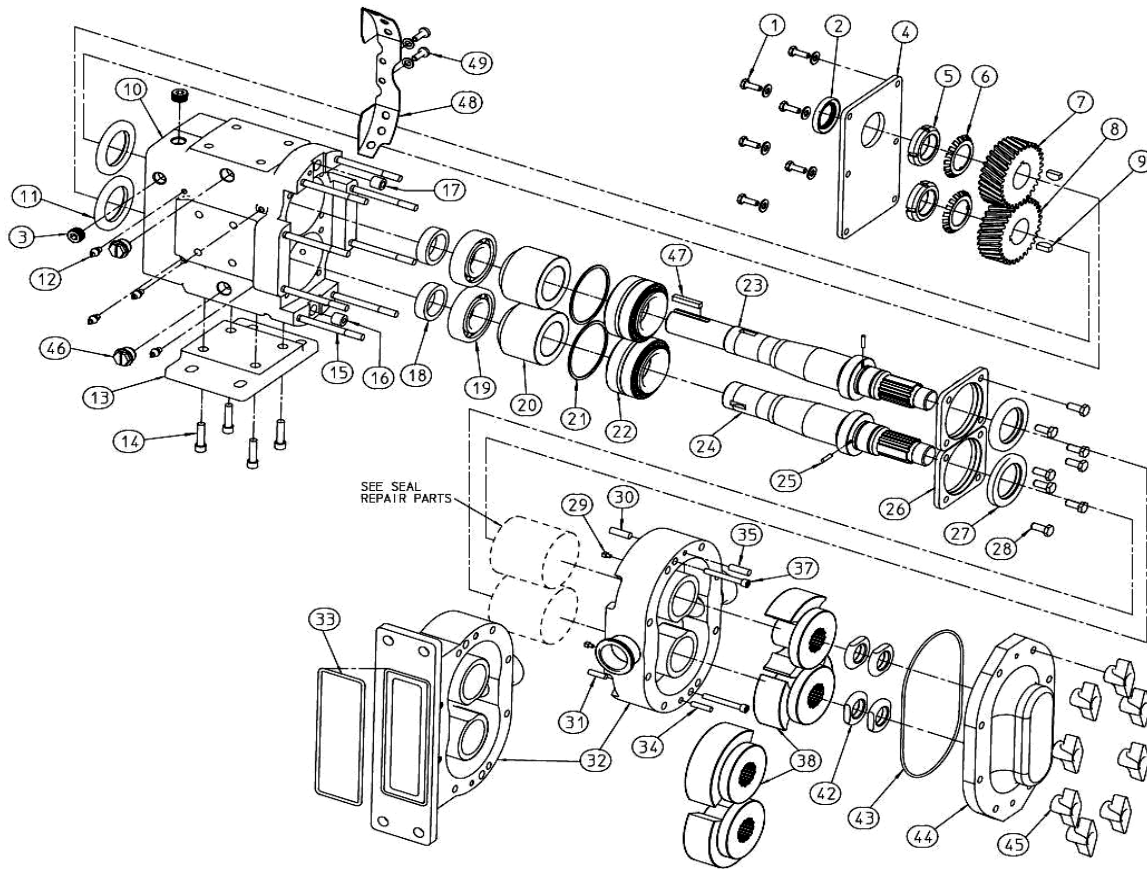
Wright Flow Technologies, Inc. grants license to its authorized distributors to copy, modify and distribute these repair parts sheets to their customers as necessary to meet business needs.

[Back to Index](#)

Prices are subject to change without notice. Ex-works, Cedar Falls, IA USA

Part numbers provided by Wright Flow Technologies are standard parts or options for this model. Any modifications to part numbers or pricing made to this document are the responsibility of the authorized Wright Flow distributor. It is recommended that the pump serial number be provided for verification of actual part numbers required for a specific pump.

Parts List - TRA10: 0300, 0340



Item	Description	Wright Flow Item No.	List (ea)	Quantity Req'd	Notes
1	Capscrew, Gear Case Cover, SS	0200HHCSGCC-SS		6	
1a	Washer GC Cover Capscrew, SS	0200GCCWSH-SS		6	
2	Oil Seal - Gear Case Cover	WT0300GCSC		1	B-KIT
3	Oil Level, Drain Plug, SS	WTOILPLUG375-75T-SS		4	
4	Gear Case Cover, Steel (Powder Coated, White)	WT0300GCC-02		1	
	Gear Case Cover, Stainless Steel	WT0300GCC-01			
5	Lock Nut - Gear	WT007LNUT		2	B-KIT
6	Lock Washer - Gear	WT007LWSH		2	B-KIT
7	Gear Drive Shaft	WT0300GR1		1	
8	Gear Short Shaft	WT0300GR2		1	
9	Key, Gear	WT0300GDK		2	B-KIT

Parts List - TRA10: 0300, 0340

Item	Description	Wright Flow Item No.	List (ea)	Quantity Req'd	Notes
10	Gear Case, Cast Iron (Powder Coated, White)	WT0300GC-02		1	
	Gear Case, Stainless Steel	WT0300GC-01			
11	Oil Seal Rear	WT0300GCSR		2	B-KIT
12	Grease Fitting ¼-28, SS	WT0600GFITTING-SS		8	
13	Gear Case Base, Cast Iron (Powder Coated, White)	WT0300GCB-02		1	
	Gear Case Base, Stainless Steel	WT0300GCB-01			
14	Capscrew, Gear Case Base, SS	0300SHCSGCB-SS		4	
15	0300 Stud for Standard Cover	WT0300STUD		8	
	0300 Stud for Jacketed Cover	WT0300STUDJ			
	0340 Stud for Standard Cover (6 used, plus 2 below)	WT0300STUD		6	
	0340 Stud for Standard Cover (2 used, plus 6 above)	WT0340STUD		2	
	0340 Stud for Jacketed Cover (6 used, plus 2 below)	WT0300STUDJ		6	
	0340 Stud for Jacketed Cover (2 used, plus 6 above)	WT0340STUDJ		2	
16	Dowel Busing Lower	WT0300-116-1		1	
17	Dowel Bushing, Upper	WT0300-116		1	
18	Spacer Gear to Rear Bearing	WT0300GSP		2	
19	Rear Bearing	WT0300BRGR		2	B-KIT
20	Spacer Bearing	WT0300BSP-TRA20		2	1
	Spacer Bearing	WT0300BSP			4
21	Shim Kit	WT0300SHIMKIT		2	B-KIT
22	Front Bearing	WT0300BRGF-TRA20		2	1, B-KIT
	Front Bearing	WT0300BRGF			4, B-KIT
23	Drive Shaft (17-4PH) Model 0300-0340 TRA10	WT0300DS-08		1	1
	Drive Shaft (17-4PH) Model 0300-0340 TRA10	WT0300DS			4
24	Short Shaft (17-4PH) Model 0300-0340 TRA10	WT0300SS-08		1	1
	Short Shaft (17-4PH) Model 0300-0340 TRA10	WT0300SS			4
25	Drive Pin	WTCD0126		2	
26	Bearing Retainer Front	WT0300BRF-08		2	1
	Bearing Retainer Front	WT0300BRF			4
27	Grease Seal Front Brg Ret	WT0300BRGSR-08		2	1, B-KIT
	Grease Seal Front Brg Ret	WT0300BRGSR			4, B-KIT
28	Button Head Capscrew, Brg Ret, SS	0300BHCSBRGR-SS		8	
29	Stop Pin Seal	WT0300SPIN		2	
30	Dowel Pin, Upper Gear Case Side	WT0300040R		1	
31	Dowel Pin, Lower Gear Case Side	WT0300040R10		1	
32	Pump Body	See notes		1	7
33	Rectangular Flange O Ring - Buna	N70357		1	
34	Dowel Pin, Lower Cover Side	WT03000401		1	
35	Dowel Pin, Upper Cover Side	WT0300040		1	
37	Body Retaining Screw	WT0300RETSCREW		2	
38	Twin Blade Rotor, #808 Alloy, 0300 TRA10, Std Clearance	WA0300RTB-N1-00		2	8
	Twin Blade Rotor, #808 Alloy, 0300 TRA10, Hot	WA0300RTB-N2-00			
	Twin Blade Rotor, #808 Alloy, 0300 TRA10, Chocolate	WA0300RTB-N3-00			
	Twin Blade Rotor, #808 Alloy, 0300 TRA10, Front Face	WA0300RTB-N4-00			
	Single Wing Rotor, #808 Alloy, 0300 TRA10, Std Clearance	WA0300RSW-N1-00			
	Single Wing Rotor, #808 Alloy, 0300 TRA10, Hot	WA0300RSW-N2-00			
	Single Wing Rotor, #808 Alloy, 0300 TRA10, Chocolate	WA0300RSW-N3-00			
	Single Wing Rotor, #808 Alloy, 0300 TRA10, Front Face	WA0300RSW-N4-00			

Parts List - TRA10: 0300, 0340

Item	Description	Wright Flow Item No.	List (ea)	Quantity Req'd	Notes
42	Jam Nut	WT0300NUT		4	
43	Cover O Ring - Buna	N70261		1	E-KIT
	Cover O Ring - EPDM	E70261			
	Cover O Ring - Viton®	V70261			
	Cover O Ring - Silicone	S75261			
44	Pump Cover	WT0300CVRS		1	
	Pump Cover - Jacketed	WT0300CVRJ			
45	Wing Nut	WT0300WNUT		8	
	Hex Nut	WT0300HEXNUT			
46	Large Cleanout Plug	0300COPLUG		4	
47	Drive Shaft Key, 1/4 X 1/4 X 1 3/4	WT0300DRIVEKEY		1	
48	Seal Guards, SS	WT0300GRD-04		4	
49	Fastner, Seal Guard	0150GUARDSCRW		8	
49a	Washer, Seal Guard	WT0150GUARDWSH		8	
49b	M3.5 CAPTIVE WASHER-SS	WT-M3.5-CAPTIVEWSH-SS		8	
	Grease Fitting Cap, Red Plastic	WTGREASECAP		8	
	Nameplate	WTNAMEPLATE3A		1	
	Nameplate Rivet	WTNPRIVET		4	
	Plastic Cap Tapped Holes, Mounting Pad	0300PADPLUG		12	
	O Ring Removal Tool	WT096RT			T-Kit
	Rotor Nut Wrench	WT0300WR			T-Kit
	Spanner Wrench - 0300-0340 (for lock nut)	WT0300SPWR			
	Oil, Magna-Plate 460-FG, 1-gal	WT140MOIL			
	Grease Halo-Guard FG-2LT00 (1 lb tube)	WT142GREASE			
RTV	Sealant RTV	WTRTVSEAL			B-KIT
LUB	Seal Face & Elastomer Installation Lubrication (10 mil tube)	1-908-049-999-00		1	E-KIT, S-KIT, SF-KIT
	Nylon Block - Rotor Locking Tool	Z94-8877-06			T-Kit
	IOM Manual - TRA10 Series Pumps	WT-TSM-TRA10			T-Kit

Notes:

[Back to Index](#)

- 1 For Wright pumps manufactured after 01/01/09 and Waukesha pumps manufactured after July 2001
- 4 For Wright pumps manufactured before 01/01/09 and Waukesha pumps manufactured before July 2001
- 7 Contact Wright Flow Technologies for more information
- 8 Common clearances are shown. Contact the factory for additional clearances, oversizes, materials, and finishes

E-KIT Elastomer Kit - These items are included in an elastomer kit (at the listed quantities per pump) See the Seal Pages for Elastomer Kits

T-KIT	Tool Kit - These items are included in the tool kit	WA0300-TOOL-KIT		1	
-------	---	-----------------	--	---	--

B-KIT Bearing Kit - These items are included in a bearing kit (at the listed quantities per pump) - see below:

B-KIT	Model 0300-0340 TRA10 Bearing Kit. See note 1 above.	WT0300BK/08		1	Includes Items 2, 5, 6, 9, 11, 19, 21, 22, 27, RTV
	Model 0300-0340 TRA10 Bearing Kit. See note 4 above.	WT0300BK			

Viton® is a registered trademark of DuPont Performance Elastomers

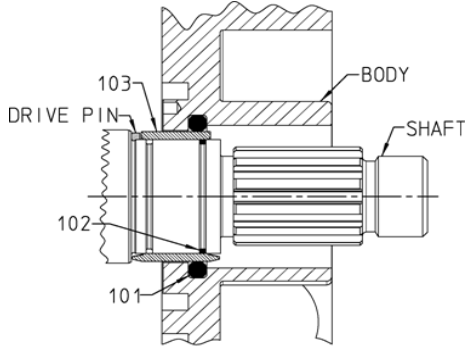
Wright Flow Technologies, Inc. grants license to its authorized distributors to copy, modify and distribute these repair parts sheets to their customers as necessary to meet business needs.

[Back to Index](#)

Prices are subject to change without notice. Ex-works, Cedar Falls, IA USA

Part numbers provided by Wright Flow Technologies are standard parts or options for this model. Any modifications to part numbers or pricing made to this document are the responsibility of the authorized Wright Flow distributor. It is recommended that the pump serial number be provided for verification of actual part numbers required for a specific pump.

Sealing Parts List - TRA10: 0300, 0340

Single O-ring Seal					
 <p style="text-align: center;">SINGLE O-RING SEAL</p>					
Complete Kits: (one elastomer kit and one seal face kit is used per pump)					
Elastomer Kits (includes the items in the notes section at the listed quantities per pump for each of those items)					
Item	Description	Wright Flow Part No.	List (ea)	Quantity Req'd	Notes
E-Kit	Single O Ring Elastomer Kit, Buna	WA0300EK/SO/B		1	Includes Items 43, 101, 102, LUB
	Single O Ring Elastomer Kit, EPDM	WA0300EK/SO/E			
	Single O Ring Elastomer Kit, Viton	WA0300EK/SO/V			
	Single O Ring Elastomer Kit, Silicone	WA0300EK/SO/S			
Sleeve Kits (includes the items in the notes section at the listed quantities per pump for each of those items)					
S-Kit	Sleeve Kit - Stainless Steel	WA0300SK/S		1	Includes Items 103, LUB
	Sleeve Kit - Zirconia	WA0300SK/Z			
	Sleeve Kit - Chrome Oxide	WA0300SK/X			
Individual Parts:					
Item	Description	Wright Flow Part No.	List (ea)	Quantity Req'd	Notes
101	Body O Ring - Buna	N70327		2	E-KIT
	Body O Ring - EPDM	E70327			
	Body O Ring - Viton®	V70327			
	Body O Ring - Silicone	S75327			
102	Inner Seal O Ring - Buna	N70028		2	E-KIT
	Inner Seal O Ring - EPDM	E70028			
	Inner Seal O Ring - Viton®	V70028			
	Shaft O Ring - Silicone	S75028			
103	Sleeve SS	WT0300SLV		2	S-KIT
	Sleeve Zirconia	WT0300SLVZ			
	Chrome Oxide Coated SS Sleeve	WT0300COXSLV			
Notes:					
E-KIT Elastomer Kit - These items are included in an elastomer kit (at the listed quantities per pump)					
S-KIT Sleeve Kit - These items are included in a sleeve kit (at the listed quantities per pump)					

Sealing Parts List - TRA10: 0300, 0340

Double O-ring Seal																																																																																																																		
<p style="text-align: center;">DOUBLE O-RING SEAL</p>																																																																																																																		
<p>Complete Kits: (one elastomer kit and one seal face kit is used per pump)</p> <p>Elastomer Kits (includes the items in the notes section at the listed quantities per pump for each of those items)</p> <table border="1"> <thead> <tr> <th>Item</th> <th>Description</th> <th>Wright Flow Item No.</th> <th>List (ea)</th> <th>Quantity Req'd</th> <th>Notes</th> </tr> </thead> <tbody> <tr> <td rowspan="4">E-Kit</td> <td>Double O Ring Elastomer Kit - Buna</td> <td>WA0300EK/DO/B</td> <td></td> <td rowspan="4">1</td> <td rowspan="4">Includes Items 43, 111, 112, 115, LUB</td> </tr> <tr> <td>Double O Ring Elastomer Kit - EPDM</td> <td>WA0300EK/DO/E</td> <td></td> </tr> <tr> <td>Double O Ring Elastomer Kit - Viton</td> <td>WA0300EK/DO/V</td> <td></td> </tr> <tr> <td>Double O Ring Elastomer Kit - Silicone</td> <td>WA0300EK/DO/S</td> <td></td> </tr> </tbody> </table> <p>Sleeve Kits (includes the items in the notes section at the listed quantities per pump for each of those items)</p> <table border="1"> <thead> <tr> <th>Item</th> <th>Description</th> <th>Wright Flow Item No.</th> <th>List (ea)</th> <th>Quantity Req'd</th> <th>Notes</th> </tr> </thead> <tbody> <tr> <td rowspan="3">S-Kit</td> <td>Sleeve Kit - Stainless Steel</td> <td>WA0300SK/S</td> <td></td> <td rowspan="3">1</td> <td rowspan="3">Includes Items 113, LUB</td> </tr> <tr> <td>Sleeve Kit - Zirconia</td> <td>WA0300SK/Z</td> <td></td> </tr> <tr> <td>Sleeve Kit - Chrome Oxide</td> <td>WA0300SK/X</td> <td></td> </tr> </tbody> </table> <p>Individual Parts:</p> <table border="1"> <thead> <tr> <th>Item</th> <th>Description</th> <th>Wright Flow Item No.</th> <th>List (ea)</th> <th>Quantity Req'd</th> <th>Notes</th> </tr> </thead> <tbody> <tr> <td rowspan="4">111</td> <td>Body O Ring - Buna</td> <td>N70327</td> <td></td> <td rowspan="4">4</td> <td rowspan="4">E-KIT</td> </tr> <tr> <td>Body O Ring - EPDM</td> <td>E70327</td> <td></td> </tr> <tr> <td>Body O Ring - Viton®</td> <td>V70327</td> <td></td> </tr> <tr> <td>Body O Ring - Silicone</td> <td>S75327</td> <td></td> </tr> <tr> <td rowspan="4">112</td> <td>Inner Seal O Ring - Buna</td> <td>N70028</td> <td></td> <td rowspan="4">2</td> <td rowspan="4">E-KIT</td> </tr> <tr> <td>Inner Seal O Ring - EPDM</td> <td>E70028</td> <td></td> </tr> <tr> <td>Inner Seal O Ring - Viton®</td> <td>V70028</td> <td></td> </tr> <tr> <td>Shaft O Ring - Silicone</td> <td>S75028</td> <td></td> </tr> <tr> <td rowspan="3">113</td> <td>Sleeve SS</td> <td>WT0300SLV</td> <td></td> <td rowspan="3">2</td> <td rowspan="3">S-KIT</td> </tr> <tr> <td>Sleeve Zirconia</td> <td>WT0300SLVZ</td> <td></td> </tr> <tr> <td>Chrome Oxide Coated SS Sleeve</td> <td>WT0300COXSLV</td> <td></td> </tr> <tr> <td rowspan="2">114</td> <td>O Ring Seal Carrier</td> <td>WT0300SLCAR-08</td> <td></td> <td rowspan="2">2</td> <td>2</td> </tr> <tr> <td>O Ring Seal Carrier</td> <td>WT0300SLCAR</td> <td></td> <td>5</td> </tr> <tr> <td rowspan="3">115</td> <td>Outer Seal O Ring - EPDM</td> <td>E50335</td> <td></td> <td rowspan="3">2</td> <td rowspan="3">E-KIT</td> </tr> <tr> <td>Outer Seal O Ring - Viton®</td> <td>V50335</td> <td></td> </tr> <tr> <td>Outer Seal O Ring - Silicone</td> <td>S50335</td> <td></td> </tr> </tbody> </table> <p>Notes</p> <p>2 For Wright pumps manufactured after 01/01/09 and Waukesha pumps manufactured after 07/12/04</p> <p>5 For Wright pumps manufactured before 01/01/09 and Waukesha pumps manufactured before 07/12/04</p> <p>E-KIT Elastomer Kit - These items are included in an elastomer kit (at the listed quantities per pump)</p> <p>S-KIT Sleeve Kit - These items are included in a sleeve kit (at the listed quantities per pump)</p>						Item	Description	Wright Flow Item No.	List (ea)	Quantity Req'd	Notes	E-Kit	Double O Ring Elastomer Kit - Buna	WA0300EK/DO/B		1	Includes Items 43, 111, 112, 115, LUB	Double O Ring Elastomer Kit - EPDM	WA0300EK/DO/E		Double O Ring Elastomer Kit - Viton	WA0300EK/DO/V		Double O Ring Elastomer Kit - Silicone	WA0300EK/DO/S		Item	Description	Wright Flow Item No.	List (ea)	Quantity Req'd	Notes	S-Kit	Sleeve Kit - Stainless Steel	WA0300SK/S		1	Includes Items 113, LUB	Sleeve Kit - Zirconia	WA0300SK/Z		Sleeve Kit - Chrome Oxide	WA0300SK/X		Item	Description	Wright Flow Item No.	List (ea)	Quantity Req'd	Notes	111	Body O Ring - Buna	N70327		4	E-KIT	Body O Ring - EPDM	E70327		Body O Ring - Viton®	V70327		Body O Ring - Silicone	S75327		112	Inner Seal O Ring - Buna	N70028		2	E-KIT	Inner Seal O Ring - EPDM	E70028		Inner Seal O Ring - Viton®	V70028		Shaft O Ring - Silicone	S75028		113	Sleeve SS	WT0300SLV		2	S-KIT	Sleeve Zirconia	WT0300SLVZ		Chrome Oxide Coated SS Sleeve	WT0300COXSLV		114	O Ring Seal Carrier	WT0300SLCAR-08		2	2	O Ring Seal Carrier	WT0300SLCAR		5	115	Outer Seal O Ring - EPDM	E50335		2	E-KIT	Outer Seal O Ring - Viton®	V50335		Outer Seal O Ring - Silicone	S50335	
Item	Description	Wright Flow Item No.	List (ea)	Quantity Req'd	Notes																																																																																																													
E-Kit	Double O Ring Elastomer Kit - Buna	WA0300EK/DO/B		1	Includes Items 43, 111, 112, 115, LUB																																																																																																													
	Double O Ring Elastomer Kit - EPDM	WA0300EK/DO/E																																																																																																																
	Double O Ring Elastomer Kit - Viton	WA0300EK/DO/V																																																																																																																
	Double O Ring Elastomer Kit - Silicone	WA0300EK/DO/S																																																																																																																
Item	Description	Wright Flow Item No.	List (ea)	Quantity Req'd	Notes																																																																																																													
S-Kit	Sleeve Kit - Stainless Steel	WA0300SK/S		1	Includes Items 113, LUB																																																																																																													
	Sleeve Kit - Zirconia	WA0300SK/Z																																																																																																																
	Sleeve Kit - Chrome Oxide	WA0300SK/X																																																																																																																
Item	Description	Wright Flow Item No.	List (ea)	Quantity Req'd	Notes																																																																																																													
111	Body O Ring - Buna	N70327		4	E-KIT																																																																																																													
	Body O Ring - EPDM	E70327																																																																																																																
	Body O Ring - Viton®	V70327																																																																																																																
	Body O Ring - Silicone	S75327																																																																																																																
112	Inner Seal O Ring - Buna	N70028		2	E-KIT																																																																																																													
	Inner Seal O Ring - EPDM	E70028																																																																																																																
	Inner Seal O Ring - Viton®	V70028																																																																																																																
	Shaft O Ring - Silicone	S75028																																																																																																																
113	Sleeve SS	WT0300SLV		2	S-KIT																																																																																																													
	Sleeve Zirconia	WT0300SLVZ																																																																																																																
	Chrome Oxide Coated SS Sleeve	WT0300COXSLV																																																																																																																
114	O Ring Seal Carrier	WT0300SLCAR-08		2	2																																																																																																													
	O Ring Seal Carrier	WT0300SLCAR			5																																																																																																													
115	Outer Seal O Ring - EPDM	E50335		2	E-KIT																																																																																																													
	Outer Seal O Ring - Viton®	V50335																																																																																																																
	Outer Seal O Ring - Silicone	S50335																																																																																																																

Sealing Parts List - TRA10: 0300, 0340

Single Mechanical Seal					
<p style="text-align: center;">SINGLE MECHANICAL SEAL FOR TRA10</p>					
Complete Kits: (one elastomer kit and one seal face kit is used per pump)					
Elastomer Kits (includes the items in the notes section at the listed quantities per pump for each of those items)					
Item	Description	Wright Flow Item No.	List (ea)	Quantity Req'd	Notes
E-Kit	Single Mechanical Elastomer Kit - Buna	WA0300EK/SM/B		1	Includes Items 43, 121, 122, LUB
	Single Mechanical Elastomer Kit - EPDM	WA0300EK/SM/E			
	Single Mechanical Elastomer Kit - Viton	WA0300EK/SM/V			
	Single Mechanical Elastomer Kit - Silicone	WA0300EK/SM/S			
Seal Face Kits (includes the items in the notes section at the listed quantities per pump for each of those items)					
Item	Description	Wright Flow Item No.	List (ea)	Quantity Req'd	Notes
SF-KIT	Single Mechanical Seal Face Kit - SIC/SIC	WA0300SFK/SCC		1	Includes Items 43, 123, 124, 125, LUB
	Single Mechanical Seal Face Kit - CAR/CER	WA0300SFK/SRN			
	Single Mechanical Seal Face Kit - COX/COX	WA0300SFK/SXX			
Individual Parts:					
Item	Description	Wright Flow Item No.	List (ea)	Quantity Req'd	Notes
121	Body O Ring - Buna	N70327		2	E-KIT
	Body O Ring - EPDM	E70327			
	Body O Ring - Viton®	V70327			
	Body O Ring - Silicone	S75327			
122	Inner Seal O Ring - Buna	N70028		2	E-KIT
	Inner Seal O Ring - EPDM	E70028			
	Inner Seal O Ring - Viton®	V70028			
	Shaft O Ring - Silicone	S75028			
123	Seal Seat Ceramic	WT0300SLSTCER		2	SF-KIT
	Seal Seat Silicone Carbide	WT0300SLSTSIC			
	SEAL SEAT CHROME OXIDE	WT0300SLSTCOX			
124	Seal Inner Carbon - 1 piece	WT0300SLINCAR		2	SF-KIT
	Seal Inner Ceramic	WT0300SLINCER			
	Seal Inner Silicone Carbide	WT0300SLINSIC			
	SEAL INNER CHROME OXIDE	WT0300SLINCOX			
125	Wave Spring	WT0300WSPRING		2	SF-KIT
Notes:					
E-KIT Elastomer Kit - These items are included in an elastomer kit (at the listed quantities per pump)					
SF-KIT Seal Face Kit - These items are included in a seal face kit (at the listed quantities per pump)					

Sealing Parts List - TRA10: 0300, 0340

Double Mechanical Seal					
<p style="text-align: center;">DOUBLE MECHANICAL SEAL FOR TRA10</p>					
Complete Kits: (one elastomer kit and one seal face kit is used per pump)					
Elastomer Kits (includes the items in the notes section at the listed quantities per pump for each of those items)					
Item	Description	Wright Flow Item No.	List (ea)	Quantity Req'd	Notes
E-Kit	Double Mechanical Elastomer Kit - Buna	WA0300EK/DM/B		1	Includes Items 43, 131, 132, 136, LUB
	Double Mechanical Elastomer Kit - EPDM	WA0300EK/DM/E			
	Double Mechanical Elastomer Kit - Viton	WA0300EK/DM/V			
	Double Mechanical Elastomer Kit - Silicone	WA0300EK/DM/S			
Seal Face Kits (includes the items in the notes section at the listed quantities per pump for each of those items)					
Item	Description	Wright Flow Item No.	List (ea)	Quantity Req'd	Notes
SF-KIT	Double Mechanical Seal Face Kit - SIC/SIC/CAR	WA0300SFK/DCCN		1	Includes Items 133, 134, 135, 137, LUB
	Double Mechanical Seal Face Kit - CAR/CER/CAR	WA0300SFK/DRNN			
	Double Mechanical Seal Face Kit - COX/COX/COX	WA0300SFK/DXXX			
Individual Parts:					
Item	Description	Wright Flow Item No.	List (ea)	Quantity Req'd	Notes
131	Body O Ring - Buna	N70327		2	E-KIT
	Body O Ring - EPDM	E70327			
	Body O Ring - Viton®	V70327			
	Body O Ring - Silicone	S75327			
132	Inner Seal O Ring - Buna	N70028		2	E-KIT
	Inner Seal O Ring - EPDM	E70028			
	Inner Seal O Ring - Viton®	V70028			
	Shaft O Ring - Silicone	S75028			
133	Seal Seat Ceramic	WT0300SLTCER		2	SF-KIT
	Seal Seat Silicone Carbide	WT0300SLSTSIC			
	SEAL SEAT CHROME OXIDE	WT0300SLSTCOX			
134	Seal Inner Carbon - 1 piece	WT0300SLINCAR		2	SF-KIT
	Seal Inner Ceramic	WT0300SLINCER			
	Seal Inner Silicone Carbide	WT0300SLINSIC			
	SEAL INNER CHROME OXIDE	WT0300SLINCOX			
135	Wave Spring	WT0300WSPRING		2	SF-KIT
136	Outer Seal O Ring - Buna	N50335		2	E-KIT
	Outer Seal O Ring - EPDM	E50335			
	Outer Seal O Ring - Viton®	V50335			
	Outer Seal O Ring - Silicone	S50335			
137	Seal Outer Carbon (1 piece)	WT0300SLOTRC		2	SF-KIT
	SEAL OUTER CHROME OXIDE	WT0300SLOTRCOX		2	
Notes:					Back to Index
E-KIT Elastomer Kit - These items are included in an elastomer kit (at the listed quantities per pump)					
SF-KIT Seal Face Kit - These items are included in a seal face kit (at the listed quantities per pump)					

Viton® is a registered trademark of DuPont Performance Elastomers

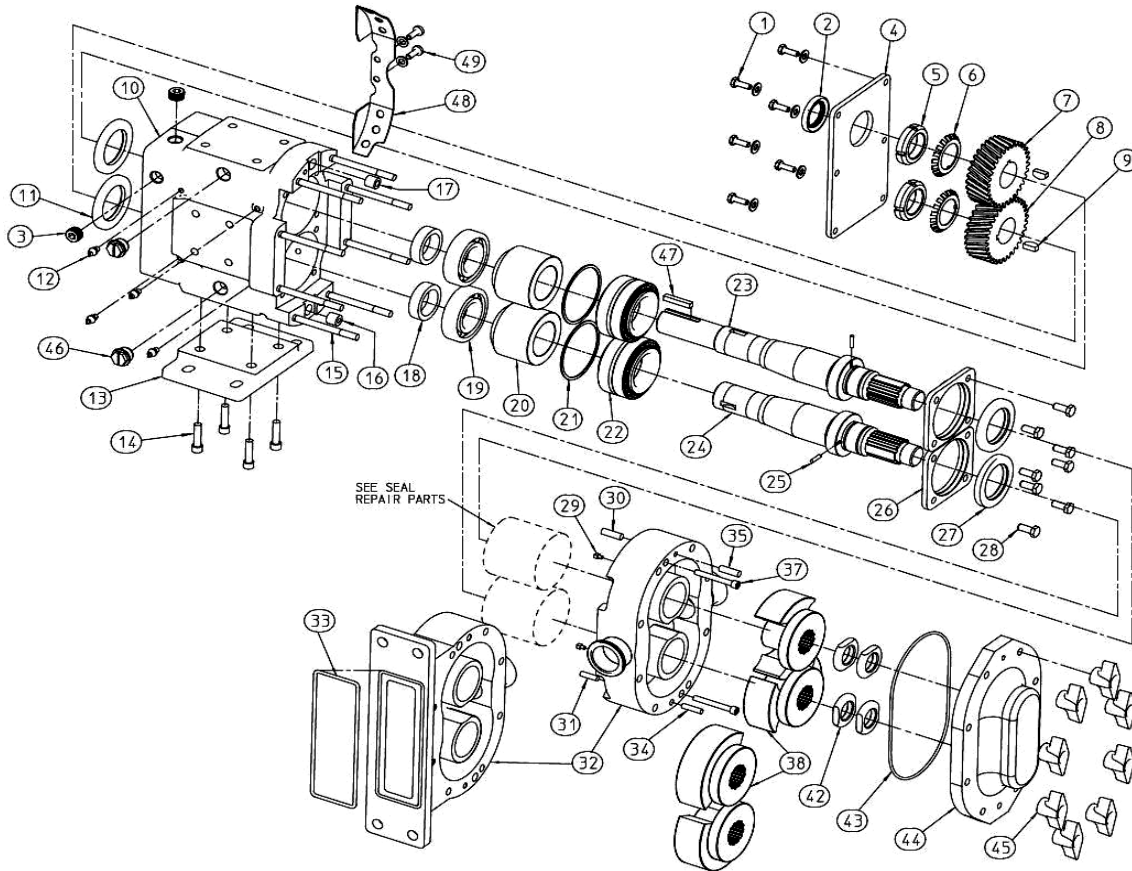
Wright Flow Technologies, Inc. grants license to its authorized distributors to copy, modify and distribute these repair parts sheets to their customers as necessary to meet business needs.

[Back to Index](#)

Prices are subject to change without notice. Ex-works, Cedar Falls, IA USA

Part numbers provided by Wright Flow Technologies are standard parts or options for this model. Any modifications to part numbers or pricing made to this document are the responsibility of the authorized Wright Flow distributor. It is recommended that the pump serial number be provided for verification of actual part numbers required for a specific pump.

Parts List - TRA10: 0450, 0600, 0640, 1300, 1340



Item	Description	Wright Flow Item No.	List (ea)	Quantity Req'd	Notes
1	Capscrew, Gear Case Cover, SS	0700HHCSGCC-SS		6	
1a	Washer GC Cover Capscrew, SS	0700GCCWSH-SS		6	
2	Oil Seal - Gear Case Cover	WT0600GCSC		1	B-KIT
3	Oil Level, Drain Plug, SS	WTOILPLUG375-75T-SS		4	
4	Gear Case Cover, Steel (Powder Coated, White)	WT0700GCC-02		1	
	Gear Case Cover, Stainless Steel	WT0700GCC-01			
5	Lock Nut - Gear	WT009LNUT		2	B-KIT
6	Lock Washer - Gear	WT009LWSH		2	B-KIT
7	Gear Drive Shaft	WT0600GR1		1	
8	Gear Short Shaft	WT0600GR2		1	
9	Key, Gear	WT0600GDK		2	B-KIT



Effective Date: 1/1/2015
 Distributor Print Date:

[Back to Index](#)

Prices are subject to change without notice. Ex-works, Cedar Falls, IA USA

Part numbers provided by Wright Flow Technologies are standard parts or options for this model. Any modifications to part numbers or pricing made to this document are the responsibility of the authorized Wright Flow distributor. It is recommended that the pump serial number be provided for verification of actual part numbers required for a specific pump.

Parts List - TRA10: 0450, 0600, 0640, 1300, 1340

Item	Description	Wright Flow Item No.	List (ea)	Quantity Req'd	Notes
10	Gear Case, Cast Iron (Powder Coated, White)	WT0700GC-02		1	
	Gear Case, Stainless Steel	WT0700GC-01			
11	Oil Seal Rear	WT0600GCSR		2	B-KIT
12	Grease Fitting 1/4-28, SS	WT0600GFITTING-SS		8	
13	Gear Case Base, Cast Iron (Powder Coated, White)	WT0700GCB-02		1	
	Gear Case Base, Stainless Steel	WT0700GCB-01			
14	Socket Head Capscrew, Mounting Shim, SS	0700SHCSGCB-SS		4	
15	0450-0600 Stud for Standard Cover	WT0600STUD		8	
	0450-0600 Stud for Jacketed Cover	WT0600STUDJ			
	1300 Stud for Standard Cover	WT1300STUD			
	1300 Stud for Jacketed Cover	WT1300STUDJ			
	0640 Stud for Standard Cover (6 used, plus 2 below)	WT0600STUD		6	
	0640 Stud for Standard Cover (2 used, plus 6 above)	WT0640STUD		2	
	0640 Stud for Jacketed Cover (6 used, plus 2 below)	WT0600STUDJ		6	
	0640 Stud for Jacketed Cover (2 used, plus 6 above)	WT0640STUDJ		2	
	1340 Stud for Standard Cover (6 used, plus 2 below)	WT1300STUD		6	
	1340 Stud for Standard Cover (2 used, plus 6 above)	WT0640STUD		2	
	1340 Stud for Jacketed Cover (6 used, plus 2 below)	WT1300STUDJ		6	
	1340 Stud for Jacketed Cover (2 used, plus 6 above)	WT0640STUDJ		2	
16	Dowel Bushing, Lower	WT0600-116-1		1	
17	Dowel Bushing, Upper	WT0600-116		1	
18	Spacer Gear to Rear Bearing	WT0600GSP		2	
19	Rear Bearing	WT0600BRGR		2	B-KIT
20	Spacer Bearing	WT0600BSP		2	
21	Shim Kit	WT0600SHIMKIT		2	B-KIT
22	Front Bearing	WT0600BRGF		2	B-KIT
23	Drive Shaft (17-4PH) Model 0450-0640 TRA10	WT0600DS		1	
	Drive Shaft (17-4PH) Model 1300-1340 TRA10	WT1300DS			
24	Short Shaft (17-4PH) Model 0450-0640 TRA10	WT0600SS		1	
	Short Shaft (17-4PH) Model 1300-1340 TRA10	WT1300SS			
25	Drive Pin	WTCD0126		2	
26	Bearing Retainer Front	WT0600BRF-08		2	
27	Grease Seal Front Brg Ret	WT0600BRGSR		2	B-KIT
28	Button Head Capscrew, Brg Ret, SS	0700BHCSBRGR-SS		8	
29	Stop Pin Seal	WT0600SPIN		2	
30	Dowel (upper gear case)	WT0600040R		1	
31	Dowel Pin, Lower Gear Case Side	WT0600040R10		1	
32	Pump Body	See Notes		1	7



Effective Date: 1/1/2015
 Distributor Print Date:

[Back to Index](#)

Prices are subject to change without notice. Ex-works, Cedar Falls, IA USA

Part numbers provided by Wright Flow Technologies are standard parts or options for this model. Any modifications to part numbers or pricing made to this document are the responsibility of the authorized Wright Flow distributor. It is recommended that the pump serial number be provided for verification of actual part numbers required for a specific pump.

Parts List - TRA10: 0450, 0600, 0640, 1300, 1340

Item	Description	Wright Flow Item No.	List (ea)	Quantity Req'd	Notes
33	Rectangular Flange O Ring - Buna (Model 0640)	N70366		1	
	Rectangular Flange O Ring - Buna (Model 1340)	N70369			
34	Dowel Pin, Lower Cover Side	WT06000401		1	
35	Dowel Pin, Upper Cover Side	WT0600040		1	
37	Body Retaining Screw	WT0600RETSCREW		2	
	Body Retaining Screw	WT1300RETSCREW			
38	Twin Blade Rotor, #808 Alloy, 0450 TRA10, Std Clearance	WA0450RTB-N1-00		2	8
	Twin Blade Rotor, #808 Alloy, 0450 TRA10, Hot	WA0450RTB-N2-00			
	Twin Blade Rotor, #808 Alloy, 0450 TRA10, Chocolate	WA0450RTB-N3-00			
	Twin Blade Rotor, #808 Alloy, 0450 TRA10, Front Face	WA0450RTB-N4-00			
	Twin Blade Rotor, #808 Alloy, 0600 TRA10, Std Clearance	WA0600RTB-N1-00			
	Twin Blade Rotor, #808 Alloy, 0600 TRA10, Hot	WA0600RTB-N2-00			
	Twin Blade Rotor, #808 Alloy, 0600 TRA10, Chocolate	WA0600RTB-N3-00			
	Twin Blade Rotor, #808 Alloy, 0600 TRA10, Front Face	WA0600RTB-N4-00			
	Single Wing Rotor, #808 Alloy, 0600 TRA10, Std Clearance	WA0600RSW-N1-00			
	Single Wing Rotor, #808 Alloy, 0600 TRA10, Hot	WA0600RSW-N2-00			
	Single Blade Rotor, #808 Alloy, 0600 TRA10, Chocolate	WA0600RSW-N3-00			
	Single Wing Rotor, #808 Alloy, 0600 TRA10, Front Face	WA0600RSW-N4-00			
	Twin Blade Rotor, #808 Alloy, 1300 TRA10, Std Clearance	WA1300RTB-N1-00			
	Twin Blade Rotor, #808 Alloy, 1300 TRA10, Hot	WA1300RTB-N2-00			
	Twin Blade Rotor, #808 Alloy, 1300 TRA10, Chocolate	WA1300RTB-N3-00			
	Twin Blade Rotor, #808 Alloy, 1300 TRA10, Front Face	WA1300RTB-N4-00			
	Single Wing Rotor, #808 Alloy, 1300 TRA10, Std Clearance	WA1300RSW-N1-00			
	Single Wing Rotor, #808 Alloy, 1300 TRA10, Hot	WA1300RSW-N2-00			
Single Blade Rotor, #808 Alloy, 1300 TRA10, Chocolate	WA1300RSW-N3-00				
Single Wing Rotor, #808 Alloy, 1300 TRA10, Front Face	WA1300RSW-N4-00				
42	Jam Nut	WT0600NUT		4	
43	Cover O Ring - Buna	N70272		1	E-KIT
	Cover O Ring - Silicone	S75272			
	Cover O Ring - Viton®	V70272			
	Cover O Ring - EPDM	E70272			
44	Pump Cover	WT0600CVR		1	
	Pump Cover - Jacketed	WT0600CVRJ			
45	Wing Nut	WT0600WNUT		8	
	Hex Nut	WT0600HEXNUT			
46	Large Cleanout Plug	0700COPLUG		4	
47	Drive Shaft Key, 3/8 X 3/8 X 1 5/8	WT0600DRIVEKEY		1	
48	Seal Guards, SS	WT0700GRD-04		4	
49	Fastner, Seal Guard	0150GUARDSCRW		8	



Effective Date: 1/1/2015
 Distributor Print Date:

[Back to Index](#)

Prices are subject to change without notice. Ex-works, Cedar Falls, IA USA

Part numbers provided by Wright Flow Technologies are standard parts or options for this model. Any modifications to part numbers or pricing made to this document are the responsibility of the authorized Wright Flow distributor. It is recommended that the pump serial number be provided for verification of actual part numbers required for a specific pump.

Parts List - TRA10: 0450, 0600, 0640, 1300, 1340

Item	Description	Wright Flow Item No.	List (ea)	Quantity Req'd	Notes
49a	Washer, Seal Guard	WT0150GUARDWSH		8	
49b	M3.5 CAPTIVE WASHER-SS	WT-M3.5-CAPTIVEWSH-SS		8	
	Grease Fitting Cap, Red Plastic	WTGREASECAP		8	
	Nameplate	WTNAMEPLATE3A		1	
	Nameplate Rivet	WTNPRIVET		4	
	Plastic Cap Tapped Holes, Mounting Pad	0700PADPLUG		12	
	O Ring Removal Tool	WT096RT			T-Kit
	Rotor Nut Wrench	WT0600WR			T-Kit
	Spanner Wrench - 0450-1340 (for lock nut)	WT0700SPWR			
	Oil, Magna-Plate 460-FG, 1-gal	WT140MOIL			
	Grease Halo-Guard FG-2LT00 (1 lb tube)	WT142GREASE			
RTV	Sealant RTV	WTRTVSEAL			B-KIT
LUB	Seal Face & Elastomer Installation Lubrication (10 mil tube)	1-908-049-999-00		1	E-KIT, S-KIT, SF-KIT
	Nylon Block - Rotor Locking Tool	Z94-8877-06			T-Kit
	IOM Manual - TRA10 Series Pumps	WT-TSM-TRA10			T-Kit

Notes:

[Back to Index](#)

7 Contact Wright Flow Technologies for more information

8 Common clearances are shown. Contact the factory for additional clearances, oversizes, materials, and finishes

E-KIT Elastomer Kit - These items are included in an elastomer kit (at the listed quantities per pump) See the Seal Pages for Elastomer Kits

T-KIT	Tool Kit - These items are included in the tool kit	WA0600-TOOL-KIT		1	
B-KIT	These items (at the listed quantities per pump) are included in the bearing kit	WT0600BK		1	

Viton® is a registered trademark of DuPont Performance Elastomers

Wright Flow Technologies, Inc. grants license to its authorized distributors to copy, modify and distribute these repair parts sheets to their customers as necessary to meet business needs.

[Back to Index](#)

Prices are subject to change without notice. Ex-works, Cedar Falls, IA USA
Part numbers provided by Wright Flow Technologies are standard parts or options for this model. Any modifications to part numbers or pricing made to this document are the responsibility of the authorized Wright Flow distributor. It is recommended that the pump serial number be provided for verification of actual part numbers required for a specific pump.

Sealing Parts List - TRA10: 0450, 0600, 0640, 1300, 1340

Single O-ring Seal					
Complete Kits: (one elastomer kit and one seal face kit is used per pump)					
Elastomer Kits (includes the items in the notes section at the listed quantities per pump for each of those items)					
Item	Description	Wright Flow Item No.	List (ea)	Quantity Req'd	Notes
E-Kit	Single O Ring Elastomer Kit, Buna	WA0600EK/SO/B		1	Includes Items 43, 101, 102, LUB
	Single O Ring Elastomer Kit, EPDM	WA0600EK/SO/E			
	Single O Ring Elastomer Kit, Viton	WA0600EK/SO/V			
	Single O Ring Elastomer Kit, Silicone	WA0600EK/SO/S			
Sleeve Kits (includes the items in the notes section at the listed quantities per pump for each of those items)					
S-Kit	Sleeve Kit - Stainless Steel	WA0600SK/S		1	Includes Items 103, LUB
	Sleeve Kit - Zirconia	WA0600SK/Z			
	Sleeve Kit - Chrome Oxide	WA0600SK/X			
Individual Parts:					
Item	Description	Wright Flow Item No.	List (ea)	Quantity Req'd	Notes
101	Body O Ring - Buna	N70331		2	E-KIT
	Body O Ring - EPDM	E70331			
	Body O Ring - Viton®	V70331			
	Body O Ring - Silicone	S75331			
102	Shaft O Ring - Buna	N70131		2	E-KIT
	Shaft O Ring - EPDM	E70131			
	Shaft O Ring - Viton®	V70131			
	Shaft O Ring - Silicone	S75131			
103	Sleeve SS	WT0600SLV		2	S-KIT
	Sleeve Zirconia	WT0600SLVZ			
	Chrome Oxide Coated SS Sleeve	WT0600COXSLV			
Notes:					
E-KIT Elastomer Kit - These items are included in an elastomer kit (at the listed quantities per pump)					
S-KIT Sleeve Kit - These items are included in a sleeve kit (at the listed quantities per pump)					

Sealing Parts List - TRA10: 0450, 0600, 0640, 1300, 1340

Double O-ring Seal					
<p style="text-align: center;">DOUBLE O-RING SEAL</p>					
<p>Complete Kits: (one elastomer kit and one seal face kit is used per pump)</p> <p>Elastomer Kits (includes the items in the notes section at the listed quantities per pump for each of those items)</p>					
Item	Description	Wright Flow Item No.	List (ea)	Quantity Req'd	Notes
E-Kit	Double O Ring Elastomer Kit - Buna	WA0600EK/DO/B		1	Includes Items 43, 111, 112, 115, LUB
	Double O Ring Elastomer Kit - EPDM	WA0600EK/DO/E			
	Double O Ring Elastomer Kit - Viton	WA0600EK/DO/V			
	Double O Ring Elastomer Kit - Silicone	WA0600EK/DO/S			
<p>Sleeve Kits (includes the items in the notes section at the listed quantities per pump for each of those items)</p>					
S-Kit	Sleeve Kit - Stainless Steel	WA0600SK/S		1	Includes Items 113, LUB
	Sleeve Kit - Zirconia	WA0600SK/X			
	Sleeve Kit - Chrome Oxide	WA0600SK/Z			
<p>Individual Parts:</p>					
Item	Description	Wright Flow Item No.	List (ea)	Quantity Req'd	Notes
111	Body O Ring - Buna	N70331		4	E-KIT
	Body O Ring - EPDM	E70331			
	Body O Ring - Viton®	V70331			
	Body O Ring - Silicone	S75331			
112	Shaft O Ring - Buna	N70131		2	E-KIT
	Shaft O Ring - EPDM	E70131			
	Shaft O Ring - Viton®	V70131			
	Shaft O Ring - Silicone	S75131			
113	Sleeve SS	WT0600SLV		2	S-KIT
	Sleeve Zirconia	WT0600SLVZ			
	Chrome Oxide Coated SS Sleeve	WT0600COXSLV			
114	O Ring Seal Carrier	WT0600SLCAR-08		2	2
	O Ring Seal Carrier	WT0600SLCAR			5
115	Outer Seal O Ring - Buna	N50338		2	E-KIT
	Outer Seal O Ring - EPDM	E50338			
	Outer Seal O Ring - Viton®	V50338			
	Oring, Outer seal	S50338			
<p>Notes</p> <p>2 For Wright pumps manufactured after 01/01/09 and Waukesha pumps manufactured after 07/12/04</p> <p>5 For Wright pumps manufactured before 01/01/09 and Waukesha pumps manufactured before 07/12/04</p> <p>E-KIT Elastomer Kit - These items are included in an elastomer kit (at the listed quantities per pump)</p> <p>S-KIT Sleeve Kit - These items are included in a sleeve kit (at the listed quantities per pump)</p>					

Sealing Parts List - TRA10: 0450, 0600, 0640, 1300, 1340

Single Mechanical Seal					
<p style="text-align: center;">SINGLE MECHANICAL SEAL FOR TRA10</p>					
Complete Kits: (one elastomer kit and one seal face kit is used per pump)					
Elastomer Kits (includes the items in the notes section at the listed quantities per pump for each of those items)					
Item	Description	Wright Flow Item No.	List (ea)	Quantity Req'd	Notes
E-Kit	Single Mechanical Elastomer Kit - Buna	WA0600EK/SM/B		1	Includes Items 43, 121, 122, LUB
	Single Mechanical Elastomer Kit - EPDM	WA0600EK/SM/E			
	Single Mechanical Elastomer Kit - Viton	WA0600EK/SM/V			
	Single Mechanical Elastomer Kit - Silicone	WA0600EK/SM/S			
Seal Face Kits (includes the items in the notes section at the listed quantities per pump for each of those items)					
SF-KIT	Single Mechanical Seal Face Kit - SIC/SIC	WA0600SFK/SCC		1	Includes Items 43, 123, 124, 125, LUB
	Single Mechanical Seal Face Kit - CAR/CER	WA0600SFK/SRN			
	Single Mechanical Seal Face Kit - COX/COX	WA0600SFK/SXX			
Individual Parts:					
Item	Description	Wright Flow Item No.	List (ea)	Quantity Req'd	Notes
121	Body O Ring - Buna	N70331		2	E-KIT
	Body O Ring - EPDM	E70331			
	Body O Ring - Viton®	V70331			
	Body O Ring - Silicone	S75331			
122	Shaft O Ring - Buna	N70131		2	E-KIT
	Shaft O Ring - EPDM	E70131			
	Shaft O Ring - Viton®	V70131			
	Shaft O Ring - Silicone	S75131			
123	Seal Seat Ceramic	WT0600SLSTCER		2	SF-KIT
	Seal Seat Silicone Carbide	WT0600SLSTSIC			
	SEAL SEAT CHROME OXIDE	WT0600SLSTCOX			
124	Seal Inner Carbon - 1 piece	WT0600SLINCAR		2	SF-KIT
	Seal Inner Ceramic	WT0600SLINCER			
	Seal Inner Silicone Carbide	WT0600SLINSIC			
	SEAL INNER CHROME OXIDE	WT0600SLINCOX			
125	Wave Spring	WT0600WSPRING		2	SF-KIT
Notes:					
E-KIT Elastomer Kit - These items are included in an elastomer kit (at the listed quantities per pump)					
SF-KIT Seal Face Kit - These items are included in a seal face kit (at the listed quantities per pump)					

Sealing Parts List - TRA10: 0450, 0600, 0640, 1300, 1340

Double Mechanical Seal					
<p style="text-align: center;">DOUBLE MECHANICAL SEAL FOR TRA10</p>					
<p>Complete Kits: (one elastomer kit and one seal face kit is used per pump)</p> <p>Elastomer Kits (includes the items in the notes section at the listed quantities per pump for each of those items)</p>					
Item	Description	Wright Flow Item No.	List (ea)	Quantity Req'd	Notes
E-Kit	Double Mechanical Elastomer Kit - Buna	WA0600EK/DM/B		1	Includes Items 43, 131, 132, 136, LUB
	Double Mechanical Elastomer Kit - EPDM	WA0600EK/DM/E			
	Double Mechanical Elastomer Kit - Viton	WA0600EK/DM/V			
	Double Mechanical Elastomer Kit - Silicone	WA0600EK/DM/S			
<p>Seal Face Kits (includes the items in the notes section at the listed quantities per pump for each of those items)</p>					
SF-KIT	Double Mechanical Seal Face Kit - SIC/SIC/CAR	WA0600SFK/DCCN		1	Includes Items 133, 134, 135, 137, LUB
	Double Mechanical Seal Face Kit - CAR/CER/CAR	WA0600SFK/DRNN			
	Double Mechanical Seal Face Kit - COX/COX/COX	WA0600SFK/DXXX			
<p>Individual Parts:</p>					
Item	Description	Wright Flow Item No.	List (ea)	Quantity Req'd	Notes
131	Body O Ring - Buna	N70331		2	E-KIT
	Body O Ring - EPDM	E70331			
	Body O Ring - Viton®	V70331			
	Body O Ring - Silicone	S75331			
132	Shaft O Ring - Buna	N70131		2	E-KIT
	Shaft O Ring - EPDM	E70131			
	Shaft O Ring - Viton®	V70131			
	Shaft O Ring - Silicone	S75131			
133	Seal Seat Ceramic	WT0600SLSTCER		2	SF-KIT
	Seal Seat Silicone Carbide	WT0600SLSTSIC			
	SEAL SEAT CHROME OXIDE	WT0600SLSTCOX			
134	Seal Inner Carbon - 1 piece	WT0600SLINCAR		2	SF-KIT
	Seal Inner Ceramic	WT0600SLINCER			
	Seal Inner Silicone Carbide	WT0600SLINSIC			
	SEAL INNER CHROME OXIDE	WT0600SLINCOX			
135	Wave Spring	WT0600WSPRING		2	SF-KIT
136	Outer Seal O Ring - Buna	N50338		2	E-KIT
	Outer Seal O Ring - EPDM	E50338			
	Outer Seal O Ring - Viton®	V50338			
	Oring, Outer seal	S50338			
137	Seal Outer Carbon (1 piece)	WT0600SLOTRC		2	SF-KIT
	SEAL OUTER CHROME OXIDE	WT0600SLOTRCOX		2	
<p>Notes: Back to Index</p> <p>E-KIT Elastomer Kit - These items are included in an elastomer kit (at the listed quantities per pump)</p> <p>SF-KIT Seal Face Kit - These items are included in a seal face kit (at the listed quantities per pump)</p>					

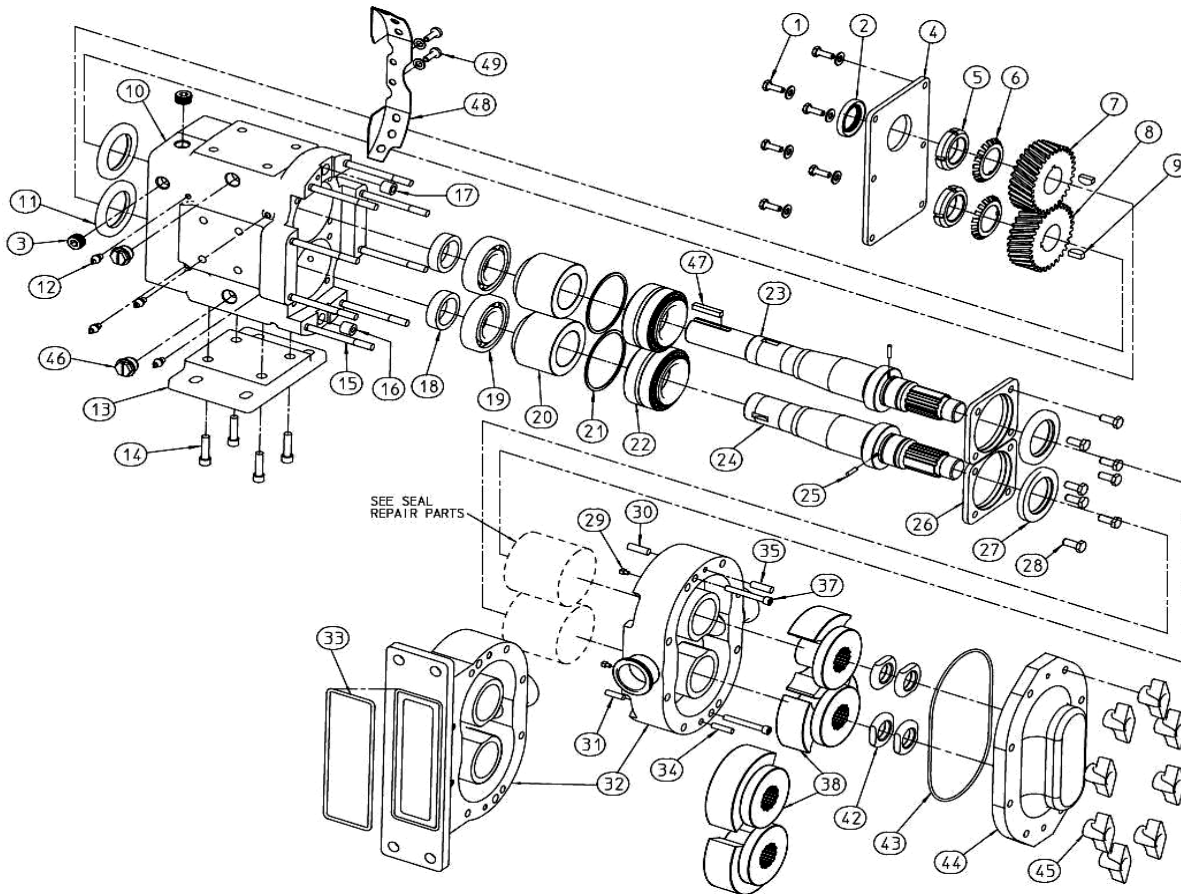
Viton® is a registered trademark of DuPont Performance Elastomers

Wright Flow Technologies, Inc. grants license to its authorized distributors to copy, modify and distribute these repair parts sheets to their customers as necessary to meet business needs.

Prices are subject to change without notice. Ex-works, Cedar Falls, IA USA

Part numbers provided by Wright Flow Technologies are standard parts or options for this model. Any modifications to part numbers or pricing made to this document are the responsibility of the authorized Wright Flow distributor. It is recommended that the pump serial number be provided for verification of actual part numbers required for a specific pump.

Parts List - TRA10: 2200, 2240



Item	Description	Wright Flow Item No.	List (ea)	Quantity Req'd	Notes
1	Capscrew, Gear Case Cover, SS	0700HHCSGCC-SS		6	
1a	Washer GC Cover Capscrew, SS	0700GCCWSH-SS		6	
2	Oil Seal - Gear Case Cover	WT2200GCSC		1	B-KIT
3	Oil Level, Drain Plug	WTOILPLUG500-75T-SS		4	
4	Gear Case Cover, Steel (Powder Coated, White)	WT2200GCC-02		1	
5	Lock Nut - Gear	WT011LNUT		2	B-KIT
6	Lock Washer - Gear	WT011LWSH		2	B-KIT
7	Gear Drive Shaft	WT2200GR1		1	
8	Gear Short Shaft	WT2200GR2		1	
9	Key, Gear	WT2200GDK		2	B-KIT



Effective Date: 1/1/2015
 Distributor Print Date:

[Back to Index](#)

Prices are subject to change without notice. Ex-works, Cedar Falls, IA USA

Part numbers provided by Wright Flow Technologies are standard parts or options for this model. Any modifications to part numbers or pricing made to this document are the responsibility of the authorized Wright Flow distributor. It is recommended that the pump serial number be provided for verification of actual part numbers required for a specific pump.

Parts List - TRA10: 2200, 2240

Item	Description	Wright Flow Item No.	List (ea)	Quantity Req'd	Notes
10	Gear Case, Cast Iron (Powder Coated, White)	WT2200GC-02		1	
11	Oil Seal Rear	WT2200GCSR		2	B-KIT
12	Grease Fitting 1/4-28, SS	WT0600GFITTING-SS		8	
13	Gear Case Base, Cast Iron (Powder Coated, White)	WT2200GCB-02		1	
14	Socket Head Capscrew, GC Base	2200SHCSGCB-SS		4	
15	2200 Stud for Standard Cover	WT2200STUD		8	
	2240 Stud for Standard Cover (6 used, plus 2 below)	WT2200STUD		6	
	2240 Stud for Standard Cover (2 used, plus 6 above)	WT2240STUD		2	
16	Dowel Bushing, Lower	WT0600-116-1		1	
17	Dowel Bushing, Upper	WT0600-116		1	
18	Spacer Gear to Rear Bearing	WT2200GSP		2	
19	Rear Bearing	WT2200BRGR		2	B-KIT
20	Spacer Bearing	WT2200BSP		2	
21	Shim Kit	WT2200SHIMKIT		2	B-KIT
22	Front Bearing	WT2200BRGF		2	B-KIT
23	Drive Shaft (17-4PH) Model 2200-2240 TRA10	WT2200DS		1	
24	Short Shaft (17-4PH) Model 2200-2240 TRA10	WT2200SS		1	
25	Drive Pin	WTCD0126		2	
26	Bearing Retainer Front	WT2200BRF-08		2	
27	Grease Seal Front Brg Ret	WT2200BRGSR		2	B-KIT
28	Button Head Capscrew, Brg Ret, SS	0700BHCSBRGR-SS		8	
29	Stop Pin Seal	WT0600SPIN		2	
30	Dowel (upper gear case)	WT0600040R		1	
31	Dowel Pin, Lower Gear Case Side	WT0600040R10		1	
32	Pump Body	See Notes		1	7
33	Rectangular Flange O Ring - Buna	N70376		1	
34	Dowel Pin, Lower Cover Side	WT22000401		1	
35	Dowel Pin, Upper Cover Side	WT2200040		1	
37	Body Retaining Screw	WT2200RETSCREW		2	
38	Twin Blade Rotor, #808 Alloy, 2200 TRA10, Std Clearance	WA2200RTB-N1-00		2	8
	Twin Blade Rotor, #808 Alloy, 2200 TRA10, Hot	WA2200RTB-N2-00			
	Twin Blade Rotor, #808 Alloy, 2200 TRA10, Chocolate	WA2200RTB-N3-00			
	Twin Blade Rotor, #808 Alloy, 2200 TRA10, Front Face	WA2200RTB-N4-00			
	Single Wing Rotor, #808 Alloy, 2200 TRA10, Std Clearance	WA2200RSW-N1-00			
	Single Wing Rotor, #808 Alloy, 2200 TRA10, Hot	WA2200RSW-N2-00			
	Single Blade Rotor, #808 Alloy, 2200 TRA10, Chocolate	WA2200RSW-N3-00			
Single Blade Rotor, #808 Alloy, 2200 TRA10, Front Face	WA2200RSW-N4-00				
42	Jam Nut	WT2200NUT		4	



Effective Date: 1/1/2015
 Distributor Print Date:

[Back to Index](#)

Prices are subject to change without notice. Ex-works, Cedar Falls, IA USA

Part numbers provided by Wright Flow Technologies are standard parts or options for this model. Any modifications to part numbers or pricing made to this document are the responsibility of the authorized Wright Flow distributor. It is recommended that the pump serial number be provided for verification of actual part numbers required for a specific pump.

Parts List - TRA10: 2200, 2240

Item	Description	Wright Flow Item No.	List (ea)	Quantity Req'd	Notes
43	Cover O Ring - Buna	GD0117000		1	E-KIT
	Cover O Ring - Silicone	GD0117SC0			
	Cover O Ring - Viton®	GD0117V00			
	Cover O Ring - EPDM	GD0117002			
44	Pump Cover	WT2200CVRS		1	
45	Wing Nut	WT2200WNUT		8	
	Hex Nut	WT2200HEXNUT			
46	Large Cleanout Plug	0700COPLUG		4	
47	Drive Shaft Key, 1/2 X 1/2 X 1 7/8	WT2200DRIVEKEY		1	
48	Seal Guards, SS	WT2200GRD-04		4	
49	Fastner, Seal Guard	0150GUARDSCRW		8	
49a	Washer, Seal Guard	WT0150GUARDWSH		8	
49b	M3.5 CAPTIVE WASHER-SS	WT-M3.5-CAPTIVEWSH-SS		8	
	Grease Fitting Cap, Red Plastic	WTGREASECAP		8	
	Nameplate	WTNAMEPLATE3A		1	
	Nameplate Rivet	WTNPRIVET		4	
	Plastic Cap Tapped Holes, Mounting Pad	0700PADPLUG		12	
	O Ring Removal Tool	WT096RT			T-Kit
	Rotor Nut Wrench	WT2200WR			T-Kit
	Spanner Wrench - 1800-2240 (for lock nut)	WT2200SPWR			
	Oil, Magna-Plate 460-FG, 1-gal	WT140MOIL			
	Grease Halo-Guard FG-2LT00 (1 lb tube)	WT142GREASE			
RTV	Sealant RTV	WTRTVSEAL			B-KIT
LUB	Seal Face & Elastomer Installation Lubrication (10 mil tube)	1-908-049-999-00		1	E-KIT, S-KIT, SF-KIT
	Nylon Block - Rotor Locking Tool	Z94-8877-06			T-Kit
	IOM Manual - TRA10 Series Pumps	WT-TSM-TRA10			T-Kit

Notes:

[Back to Index](#)

7 Contact Wright Flow Technologies for more information

8 Common clearances are shown. Contact the factory for additional clearances, oversizes, materials, and finishes

E-KIT Elastomer Kit - These items are included in an elastomer kit (at the listed quantities per pump) See the Seal Pages for Elastomer Kits

T-KIT	Tool Kit - These items are included in the tool kit	WA2200-TOOL-KIT		1	
B-KIT	These items (at the listed quantities per pump) are included in the bearing kit	WT2200BK		1	

Viton® is a registered trademark of DuPont Performance Elastomers

Wright Flow Technologies, Inc. grants license to its authorized distributors to copy, modify and distribute these repair parts sheets to their customers as necessary to meet business needs.

[Back to Index](#)

Prices are subject to change without notice. Ex-works, Cedar Falls, IA USA

Part numbers provided by Wright Flow Technologies are standard parts or options for this model. Any modifications to part numbers or pricing made to this document are the responsibility of the authorized Wright Flow distributor. It is recommended that the pump serial number be provided for verification of actual part numbers required for a specific pump.

Sealing Parts List - TRA10: 2200, 2240

Single O-ring Seal					
<p style="text-align: center;">SINGLE O-RING SEAL</p>					
<p>Complete Kits: (one elastomer kit and one seal face kit is used per pump)</p> <p>Elastomer Kits (includes the items in the notes section at the listed quantities per pump for each of those items)</p>					
Item	Description	Wright Flow Item No.	List (ea)	Quantity Req'd	Notes
E-Kit	Single O Ring Elastomer Kit, Buna	WA2200EK/SO/B		1	Includes Items 43, 101, 102, LUB
	Single O Ring Elastomer Kit, EPDM	WA2200EK/SO/E			
	Single O Ring Elastomer Kit, Viton	WA2200EK/SO/V			
	Single O Ring Elastomer Kit, Silicone	WA2200EK/SO/S			
<p>Sleeve Kits (includes the items in the notes section at the listed quantities per pump for each of those items)</p>					
S-Kit	Sleeve Kit - Stainless Steel	WA2200SK/S		1	Includes Items 103, LUB
	Sleeve Kit - Zirconia	WA2200SK/Z			
	Sleeve Kit - Chrome Oxide	WA2200SK/X			
<p>Individual Parts:</p>					
Item	Description	Wright Flow Item No.	List (ea)	Quantity Req'd	Notes
101	Body O Ring - Buna	N70338		2	E-KIT
	Body O Ring - EPDM	E70338			
	Body O Ring - Viton®	V70338			
	Body O Ring - Silicone	S75338			
102	Shaft O Ring - Buna	N70144		2	E-KIT
	Shaft O Ring - EPDM	E70144			
	Shaft O Ring - Viton®	V70144			
	Shaft O Ring - Silicone	S75144			
103	Sleeve SS	WT2200SLV		2	S-KIT
	Sleeve Zirconia	WT2200SLVZ			
	Chrome Oxide Coated SS Sleeve	WT2200COXSLV			
<p>Notes:</p> <p>E-KIT Elastomer Kit - These items are included in an elastomer kit (at the listed quantities per pump)</p> <p>S-KIT Sleeve Kit - These items are included in a sleeve kit (at the listed quantities per pump)</p>					

Sealing Parts List - TRA10: 2200, 2240

Double O-ring Seal					
<p style="text-align: center;">DOUBLE O-RING SEAL</p>					
<p>Complete Kits: (one elastomer kit and one seal face kit is used per pump)</p> <p>Elastomer Kits (includes the items in the notes section at the listed quantities per pump for each of those items)</p>					
Item	Description	Wright Flow Item No.	List (ea)	Quantity Req'd	Notes
E-Kit	Double O Ring Elastomer Kit - Buna	WA2200EK/DO/B		1	Includes Items 43, 111, 112, 115, LUB
	Double O Ring Elastomer Kit - EPDM	WA2200EK/DO/E			
	Double O Ring Elastomer Kit - Viton	WA2200EK/DO/V			
	Double O Ring Elastomer Kit - Silicone	WA2200EK/DO/S			
<p>Sleeve Kits (includes the items in the notes section at the listed quantities per pump for each of those items)</p>					
S-Kit	Sleeve Kit - Stainless Steel	WA2200SK/S		1	Includes Items 113, LUB
	Sleeve Kit - Zirconia	WA2200SK/Z			
	Sleeve Kit - Chrome Oxide	WA2200SK/X			
<p>Individual Parts:</p>					
Item	Description	Wright Flow Item No.	List (ea)	Quantity Req'd	Notes
111	Body O Ring - Buna	N70338		4	E-KIT
	Body O Ring - EPDM	E70338			
	Body O Ring - Viton®	V70338			
	Body O Ring - Silicone	S75338			
112	Shaft O Ring - Buna	N70144		2	E-KIT
	Shaft O Ring - EPDM	E70144			
	Shaft O Ring - Viton®	V70144			
	Shaft O Ring - Silicone	S75144			
113	Sleeve SS	WT2200SLV		2	S-KIT
	Sleeve Zirconia	WT2200SLVZ			
	Chrome Oxide Coated SS Sleeve	WT2200COXSLV			
114	O Ring Seal Carrier	WT2200SLCAR-08		2	2
	O Ring Seal Carrier	WT2200SLCAR			5
115	Outer Seal O Ring - Buna	N50344		2	E-KIT
	Outer Seal O Ring - EPDM	E50344			
	Outer Seal O Ring - Viton®	V50344			
<p>Notes</p> <p>2 For Wright pumps manufactured after 01/01/09 and Waukesha pumps manufactured after 07/12/04</p> <p>5 For Wright pumps manufactured before 01/01/09 and Waukesha pumps manufactured before 07/12/04</p> <p>E-KIT Elastomer Kit - These items are included in an elastomer kit (at the listed quantities per pump)</p> <p>S-KIT Sleeve Kit - These items are included in a sleeve kit (at the listed quantities per pump)</p>					

Sealing Parts List - TRA10: 2200, 2240

Single Mechanical Seal					
<p style="text-align: center;">SINGLE MECHANICAL SEAL FOR TRA10</p>					
Complete Kits: (one elastomer kit and one seal face kit is used per pump)					
Elastomer Kits (includes the items in the notes section at the listed quantities per pump for each of those items)					
Item	Description	Wright Flow Item No.	List (ea)	Quantity Req'd	Notes
E-KIT	Single Mechanical Elastomer Kit - Buna	WA2200EK/SM/B		1	Includes Items 43, 121, 122, LUB
	Single Mechanical Elastomer Kit - EPDM	WA2200EK/SM/E			
	Single Mechanical Elastomer Kit - Viton	WA2200EK/SM/V			
	Single Mechanical Elastomer Kit - Silicone	WA2200EK/SM/S			
Seal Face Kits (includes the items in the notes section at the listed quantities per pump for each of those items)					
SF-KIT	Single Mechanical Seal Face Kit - SIC/SIC	WA2200SFK/SCC		1	Includes Items 43, 123, 124, 125, LUB
	Single Mechanical Seal Face Kit - CAR/CER	WA2200SFK/SRN			
	Single Mechanical Seal Face Kit - COX/COX	WA2200SFK/SXX			
Individual Parts:					
Item	Description	Wright Flow Item No.	List (ea)	Quantity Req'd	Notes
121	Body O Ring - Buna	N70338		2	E-KIT
	Body O Ring - EPDM	E70338			
	Body O Ring - Viton®	V70338			
	Body O Ring - Silicone	S75338			
122	Shaft O Ring - Buna	N70144		2	E-KIT
	Shaft O Ring - EPDM	E70144			
	Shaft O Ring - Viton®	V70144			
	Shaft O Ring - Silicone	S75144			
123	Seal Seat Ceramic	WT2200SLSTCER		2	SF-KIT
	Seal Seat Silicone Carbide	WT2200SLSTSIC			
	SEAL SEAT CHROME OXIDE	WT2200SLSTCOX			
124	Seal Inner Carbon - 1 piece	WT2200SLINCAR		2	SF-KIT
	Seal Inner Ceramic	WT2200SLINCER			
	Seal Inner Silicone Carbide	WT2200SLINSIC			
	SEAL INNER CHROME OXIDE	WT2200SLINCOX			
125	Wave Spring	WT2200WSPRING		2	SF-KIT
Notes:					
E-KIT Elastomer Kit - These items are included in an elastomer kit (at the listed quantities per pump)					
SF-KIT Seal Face Kit - These items are included in a seal face kit (at the listed quantities per pump)					

Sealing Parts List - TRA10: 2200, 2240

Double Mechanical Seal					
<p style="text-align: center;">DOUBLE MECHANICAL SEAL FOR TRA10</p>					
<p>Complete Kits: (one elastomer kit and one seal face kit is used per pump)</p> <p>Elastomer Kits (includes the items in the notes section at the listed quantities per pump for each of those items)</p>					
Item	Description	Wright Flow Item No.	List (ea)	Quantity Req'd	Notes
E-Kit	Double Mechanical Elastomer Kit - Buna	WA2200EK/DM/B		1	Includes Items 43, 131, 132, 136, LUB
	Double Mechanical Elastomer Kit - EPDM	WA2200EK/DM/E			
	Double Mechanical Elastomer Kit - Viton	WA2200EK/DM/V			
	Double Mechanical Elastomer Kit - Silicone	WA2200EK/DM/S			
<p>Seal Face Kits (includes the items in the notes section at the listed quantities per pump for each of those items)</p>					
SF-KIT	Double Mechanical Seal Face Kit - SIC/SIC/CAR	WA2200SFK/DCCN		1	Includes Items 133, 134, 135, 137, LUB
	Double Mechanical Seal Face Kit - CAR/CER/CAR	WA2200SFK/DRNN			
	Double Mechanical Seal Face Kit - COX/COX/COX	WA2200SFK/DXXX			
<p>Individual Parts:</p>					
Item	Description	Wright Flow Item No.	List (ea)	Quantity Req'd	Notes
131	Body O Ring - Buna	N70338		2	E-KIT
	Body O Ring - EPDM	E70338			
	Body O Ring - Viton®	V70338			
	Body O Ring - Silicone	S75338			
132	Shaft O Ring - Buna	N70144		2	E-KIT
	Shaft O Ring - EPDM	E70144			
	Shaft O Ring - Viton®	V70144			
	Shaft O Ring - Silicone	S75144			
133	Seal Seat Ceramic	WT2200SLSTCER		2	SF-KIT
	Seal Seat Silicone Carbide	WT2200SLSTSIC			
	SEAL SEAT CHROME OXIDE	WT2200SLSTCOX			
134	Seal Inner Carbon - 1 piece	WT2200SLINCAR		2	SF-KIT
	Seal Inner Ceramic	WT2200SLINCER			
	Seal Inner Silicone Carbide	WT2200SLINSIC			
	SEAL INNER CHROME OXIDE	WT2200SLINCOX			
135	Wave Spring	WT2200WSPRING		2	SF-KIT
136	Outer Seal O Ring - Buna	N50344		2	E-KIT
	Outer Seal O Ring - EPDM	E50344			
	Outer Seal O Ring - Viton®	V50344			
137	Seal Outer Carbon (1 piece)	WT2200SLOTRC		2	SF-KIT
	SEAL OUTER CHROME OXIDE	WT2200SLOTRCOX		2	
<p>Notes:</p> <p>E-KIT Elastomer Kit - These items are included in an elastomer kit (at the listed quantities per pump)</p> <p>SF-KIT Seal Face Kit - These items are included in a seal face kit (at the listed quantities per pump)</p>					Back to Index

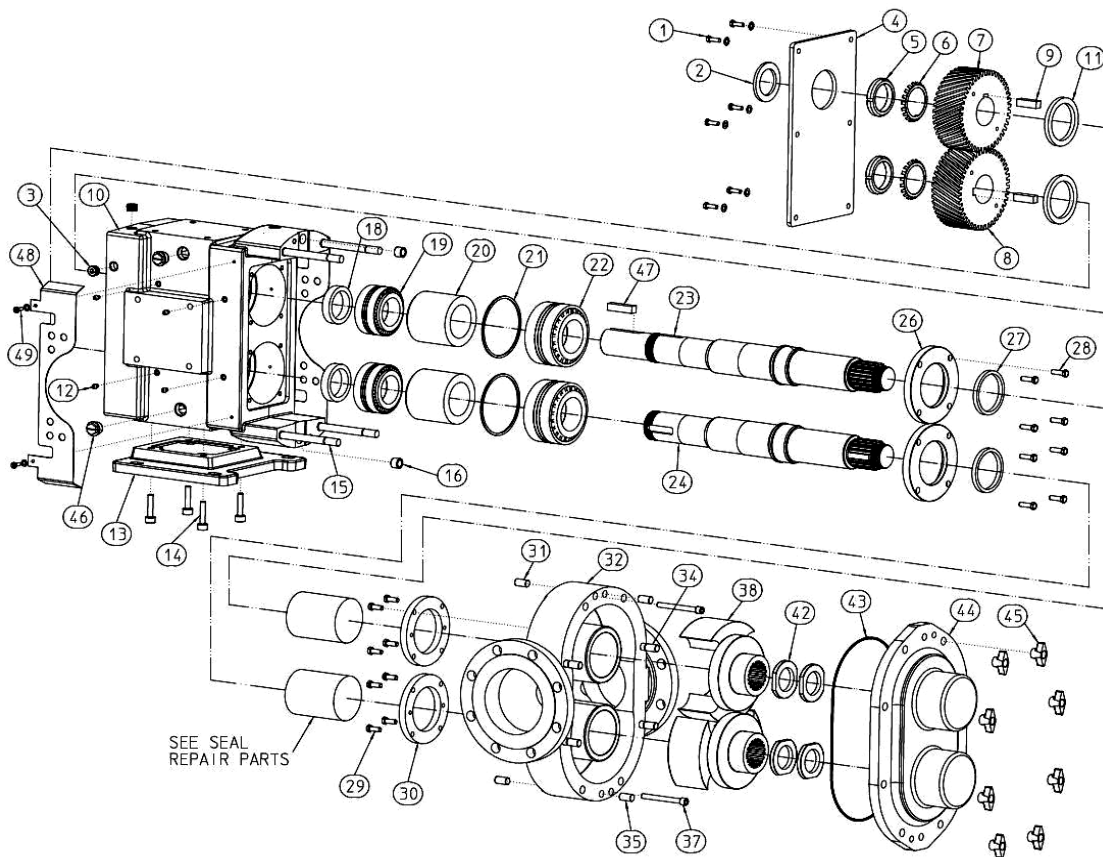
Viton® is a registered trademark of DuPont Performance Elastomers

Wright Flow Technologies, Inc. grants license to its authorized distributors to copy, modify and distribute these repair parts sheets to their customers as necessary to meet business needs.

Prices are subject to change without notice. Ex-works, Cedar Falls, IA USA

Part numbers provided by Wright Flow Technologies are standard parts or options for this model. Any modifications to part numbers or pricing made to this document are the responsibility of the authorized Wright Flow distributor. It is recommended that the pump serial number be provided for verification of actual part numbers required for a specific pump.

Parts List - TRA10: 3200



Item	Description	Wright Flow Item No.	List (ea)	Quantity Req'd	Notes
1	Capscrew, Gear Case Cover, SS	0700HHCSGCC-SS		6	
1a	Washer GC Cover Capscrew, SS	0700GCCWSH-SS		6	
2	Oil Seal - Gear Case Cover	WT3200GCSC		1	B-KIT
3	Oil Level, Drain Plug	WTOILPLUG500-75T-SS		4	
4	Gear Case Cover, Steel (Powder Coated, White)	WT3200GCC-02		1	
5	Lock Nut - Gear	WT013LNUT		2	B-KIT
6	Lock Washer - Gear	WT013LWSH		2	B-KIT
7	Gear Drive Shaft	WT3200GR1		1	
8	Gear Short Shaft	WT3200GR2		1	
9	Key, Gear	WT3200GDK		2	B-KIT
10	Gear Case, Cast Iron (Powder Coated, White)	WT3200GC-02		1	



Effective Date: 1/1/2015
 Distributor Print Date:

[Back to Index](#)

Prices are subject to change without notice. Ex-works, Cedar Falls, IA USA

Part numbers provided by Wright Flow Technologies are standard parts or options for this model. Any modifications to part numbers or pricing made to this document are the responsibility of the authorized Wright Flow distributor. It is recommended that the pump serial number be provided for verification of actual part numbers required for a specific pump.

Parts List - TRA10: 3200

Item	Description	Wright Flow Item No.	List (ea)	Quantity Req'd	Notes
11	Oil Seal Rear	WT3200GCSR		2	B-KIT
12	Grease Fitting ¼-28, SS	WT0600GFITTING-SS		8	
13	Gear Case Base, Cast Iron (Powder Coated, White)	WT3200GCB-02		1	
14	Socket Head Capscrew, GC Base	2200SHCSGCB-SS		4	
15	Stud, Cover, Long - 3200	WT3200STUD-L		4	
16	Dowel Bushing, Gearcase	WT3200-116		2	
18	Spacer Gear to Rear Bearing	WT3200GSP		2	
19	Rear Bearing	WT3200BRGR		2	B-KIT
20	Spacer Bearing	WT3200BSP		2	
21	Shim Kit	WT3200SHIMKIT		2	B-KIT
22	Front Bearing	WT3200BRGF		2	B-KIT
23	Drive Shaft (17-4PH) Model 3200 TRA10	WT3200DS		1	
24	Short Shaft (17-4PH) Model 3200 TRA10	WT3200SS		1	
26	Bearing Retainer Front	WT3200BRF		2	
27	Grease Seal Front Brg Ret	WT2200BRGSR		2	B-KIT
28	Button Head Capscrew, Brg Ret, SS	0700BHCSBRGR-SS		8	
29	3/8-16x1-1/4" SS Cap Screw, Gland	3200HHCSGLAND		8	
29a	3/8" SS Lockwasher, Gland	3200LWGLAND		8	
30	Seal Gland, No Flush	WT3000GLNDPL		2	
	Seal Gland, W/Flush Holes	WT3000GLNDPL			
31	Dowel Pin, Gear Case Side	WT3200040		2	
32	Pump Body - 3200 TRA10	WT3200BDY		1	7
34	Stud, Cover, Short 2100-3200	WT3200STUD-S		4	
35	Dowel Pin, Cover Side	WT32000401		2	
37	Body Retaining Screw	WT1300RETSREW		2	
38	Twin Blade Rotor, #808 Alloy, 3200 TRA10, Std Clearance	WA3200RTB-N1-00		2	8
	Twin Blade Rotor, #808 Alloy, 3200 TRA10, Hot	WA3200RTB-N2-00			
	Twin Blade Rotor, #808 Alloy, 3200 TRA10, Chocolate	WA3200RTB-N3-00			
	Twin Blade Rotor, #808 Alloy, 3200 TRA10, Front Face	WA3200RTB-N4-00			
42	Jam Nut	WT3200NUT		4	
43	Cover O Ring - Buna	N70280		1	
	O-ring Cover Gasket Silicone	323117013			
	Cover O Ring - Viton®	V70280			
	Cover O Ring - EPDM	E70280			
44	Pump Cover	WT3200CVRS		1	
45	Wing Nut	WT3200WNUT		8	
	Hex Nut	WT3200HEXNUT			



Effective Date: 1/1/2015
 Distributor Print Date:

[Back to Index](#)

Prices are subject to change without notice. Ex-works, Cedar Falls, IA USA

Part numbers provided by Wright Flow Technologies are standard parts or options for this model. Any modifications to part numbers or pricing made to this document are the responsibility of the authorized Wright Flow distributor. It is recommended that the pump serial number be provided for verification of actual part numbers required for a specific pump.

Parts List - TRA10: 3200

Item	Description	Wright Flow Item No.	List (ea)	Quantity Req'd	Notes
46	Large Cleanout Plug	0700COPLUG		4	
47	Drive Shaft Key, 5/8 X 5/8 X 2 3/4	WT3200DRIVEKEY		1	
48	Seal Guards, SS	WT3200GRD-02		2	
49	Fastner, Seal Guard	0150GUARDSCRW		4	
49a	Washer, Seal Guard	WT0150GUARDWSH		4	
49b	M3.5 CAPTIVE WASHER-SS	WT-M3.5-CAPTIVEWSH-SS		4	
	Grease Fitting Cap, Red Plastic	WTGREASECAP		8	
	Nameplate	WTNAMEPLATE3A		1	
	Nameplate Rivet	WTNPRIVET		4	
	Plastic Cap Tapped Holes, Mounting Pad	0700PADPLUG		10	
	O Ring Removal Tool	WT096RT			T-Kit
	Rotor Nut Wrench	WT3200WR			T-Kit
	Spanner Wrench - 2100, 3200 (for lock nut)	WT3200SPWR			
	Oil, Magna-Plate 460-FG, 1-gal	WT140MOIL			
	Grease Halo-Guard FG-2LT00 (1 lb tube)	WT142GREASE			
RTV	Sealant RTV	WTRTVSEAL			B-KIT
LUB	Seal Face & Elastomer Installation Lubrication (10 mil tube)	1-908-049-999-00		1	
	Nylon Block - Rotor Locking Tool	Z94-8877-06			T-Kit
	IOM Manual - TRA10 Series Pumps	WT-TSM-TRA10			T-Kit

Notes:

[Back to Index](#)

7 Contact Wright Flow Technologies for more information

8 Common clearances are shown. Contact the factory for additional clearances, oversizes, materials, and finishes

T-KIT	Tool Kit - These items are included in the tool kit	WA3200-TOOL-KIT		1	
B-KIT	These items (at the listed quantities per pump) are included in the bearing kit	WT3200BK		1	

Viton® is a registered trademark of DuPont Performance Elastomers

Wright Flow Technologies, Inc. grants license to its authorized distributors to copy, modify and distribute these repair parts sheets to their customers as necessary to meet business needs.

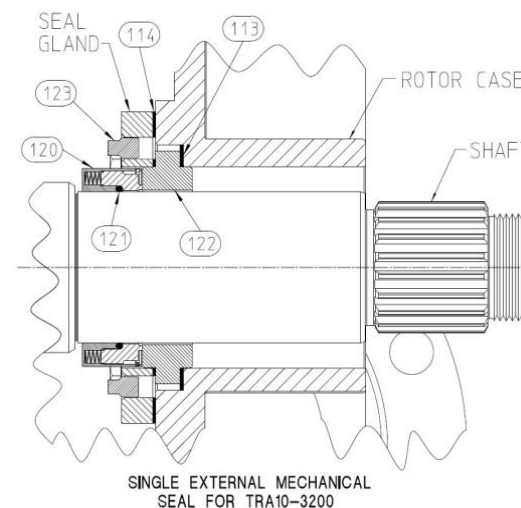
Prices are subject to change without notice. Ex-works, Cedar Falls, IA USA

Part numbers provided by Wright Flow Technologies are standard parts or options for this model. Any modifications to part numbers or pricing made to this document are the responsibility of the authorized Wright Flow distributor. It is recommended that the pump serial number be provided for verification of actual part numbers required for a specific pump.

Sealing Parts List - TRA10: 3200

Single Mechanical Seal (Outer):

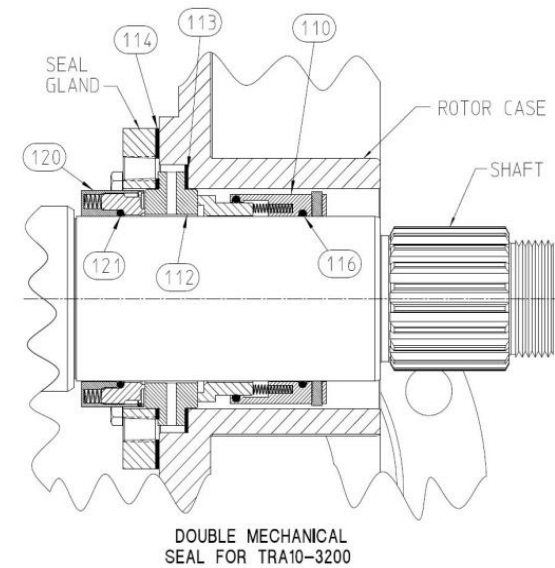
Item	Description	Wright Flow Item No.	List (ea)	Quantity Req'd
113	Gasket, Inner	WT3000GSKPL		2
114	Gasket, Outer W/Flush Holes	WT3000GSKFL		2
120	8B2 Outer Seal, Carbon	WT3000SLOTRC		2
	8B2 Outer Seal, Silicone Carbide	WT3000SLOTRSIC		
	8B2 Outer Seal, Chrome Oxide	WT3000SLOTRCOX		
121	Inner Seal O Ring - Buna	N70234		2
	Inner Seal O Ring - EPDM	E70234		
	Inner Seal O Ring - Viton®	V70234		
	Inner Seal O Ring - Silicone	S75234		
122	"T" Seat, No Flush, Silicone Carbide	WT3000SLSTPLSIC		2
123	Gland Plug	WTFLPLUG125SS		4



Sealing Parts List - TRA10: 3200

Double Mechanical Seal:

Item	Description	Wright Flow Item No.	List (ea)	Quantity Req'd
110	Inner Seal, Sil Car	WT3000SLINSIC		2
	Seal Face, Inner Seal, Chrome Oxide	WT3000SLINCOX		
112	"T" Seat, With Flush, Silicone Carbide	WT3000SLSTFLSIC		2
	"T" Seat, With Flush, Chrome Oxide	WT3000SLSTFLCOX		
	"T" Seat, With Flush, Ceramic	WT3000SLSTFLCER		
113	Gasket, Inner	WT3000GSKPL		2
114	Gasket, Outer W/Flush Holes	WT3000GSKFL		2
116	Inner Seal O Ring - Buna	N70234		2
	Inner Seal O Ring - EPDM	E70234		
	Inner Seal O Ring - Viton®	V70234		
	Inner Seal O Ring - Silicone	S75234		
120	8B2 Outer Seal, Carbon	WT3000SLOTRC		2
	8B2 Outer Seal, Silicone Carbide	WT3000SLOTRSIC		
	8B2 Outer Seal, Chrome Oxide	WT3000SLOTRCOX		
121	Inner Seal O Ring - Buna	N70234		2
	Inner Seal O Ring - EPDM	E70234		
	Inner Seal O Ring - Viton®	V70234		
	Inner Seal O Ring - Silicone	S75234		



Viton® is a registered trademark of DuPont Performance Elastomers

Wright Flow Technologies, Inc. grants license to its authorized distributors to copy, modify and distribute these repair parts sheets to their customers as necessary to meet business needs.

[Back to Index](#)