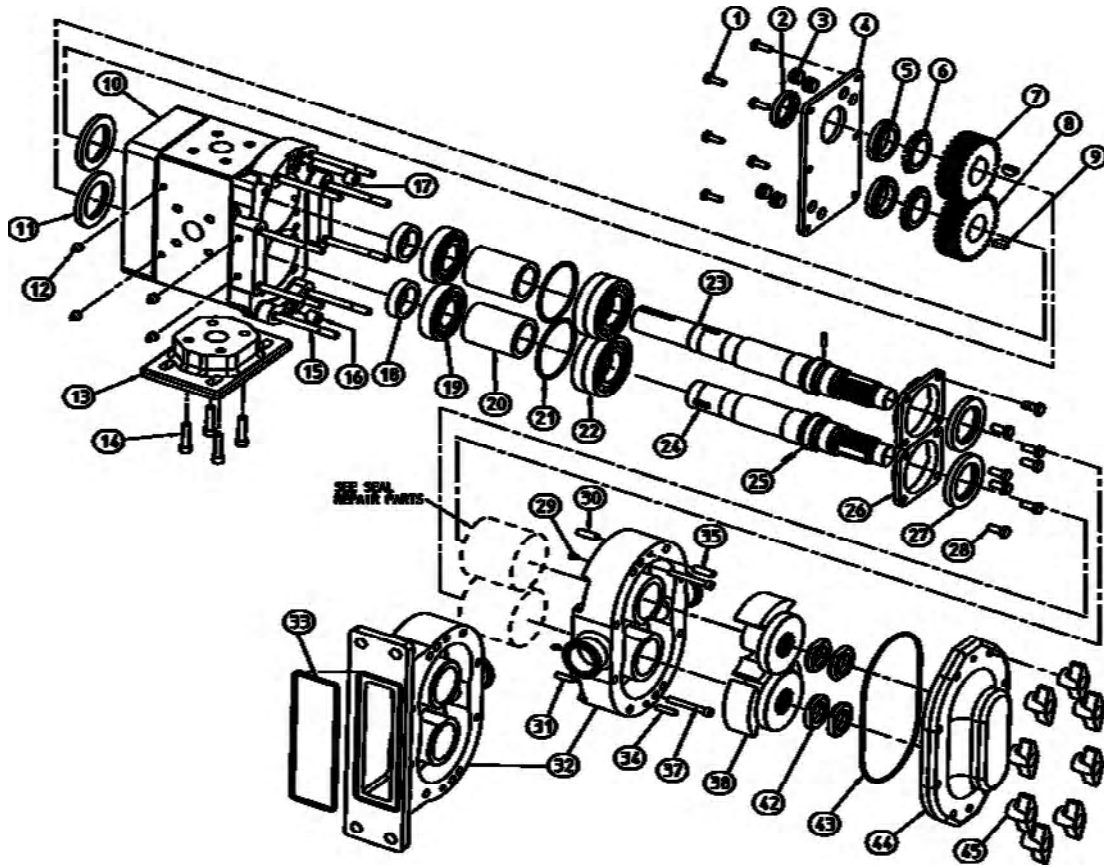


ZM Technologies

PARTS LIST - W045U1, W060U1, W064U1, W130U1, W134U1



Item	Description	Quantity Per Pump	Reference Part No.	ZMT Part No.
1	Capscrew, Gearcase Cover	6		0700HHCSGCC
	Capscrew, Gear Case Cover, SS			0700HHCSGCC-SS
1a	Washer GC Cover Capscrew	6		0700GCCWSH
	Washer GC Cover Capscrew, SS			0700GCCWSH-SS
2	Oil Seal - Gear Case Cover	1	000030012	WT0600GCSC
3	Oil Level, Drain Plug	4		WTOILPLUG375
	Oil Level, Drain Plug, SS			WTOILPLUG375-SS
4	Gear Case Cover, Steel (includes installed seal)	1	070106000	WT0700GCC
	Gear Case Cover, SS (includes installed seal)		102282	WT0700GCC-SS
5	Lock Nut - Gear	2	STD236009	WT009LNUT
6	Lock Washer - Gear	2	STD136009	WT009LWSH
7	Gear Drive Shaft	1	107404	WT0600GR1
8	Gear Short Shaft	1	107404	WT0600GR2
9	Key, Gear	2	060037000	WT0600GDK
10	Gear Case, CI	1	070005000	WT0700GC
	Gear Case, SS		101834	WT0700GC-SS
11	Oil Seal Rear		000030011	WT0600GCSR
12	Grease Fitting 1/8	8	BD0092000	WT0600GFITTING
	Grease Fitting 1/8, SS			WT0600GFITTING-SS
13	Mounting Shim (Gear Case Base), CI	1	070110000	WT0700GCB
	Mounting Shim (Gear Case Base), SS		102286	WT0700GCB-SS
14	Socket Head Capscrew, Mounting Shim	4		0700SHCSGCB
	Socket Head Capscrew, Mounting Shim, SS			0700SHCSGCB-SS

ZM Technologies

PARTS LIST - W045U1, W060U1, W064U1, W130U1, W134U1

Item	Description	Quantity Per Pump	Reference Part No.	ZMT Part No.
15	Stud	8	108843	WT0600STUD
15	Stud	6	108843	WT0600STUD
	Stud, Short, TRA10-1340	2	0C1050000	WT0640STUD
15	Stud Jacketed Cover	8	108846	WT0600STUDJ
15	Stud Jacketed Cover	6	108846	WT0600STUDJ
	Stud, Short, Jacketed, TRA10-0640	2	35556	WT0640STUDJ
15	Stud	8	101722	WT1300STUD
15	Stud	6	101722	WT1300STUD
	Stud, Short, TRA10-1340	2	0C1050000	WT0640STUD
15	Stud Jacketed Cover	8	130011001	WT1300STUDJ
15	Stud Jacketed Cover	6	130011001	WT1300STUDJ
	Stud, Short, Jacketed, TRA10-0640	2	35556	WT0640STUDJ
16	Dowel Bushing, Lower	1	CD0116100	WT0600-116-1
17	Dowel (lower cover)	1	CD0116000	WT0600-116
21	Shim Kit	2	-----	WT0600SHIMKIT
18	Spacer Gear to Rear Bearing	2	107187	WT0600GSP
19	Rear Bearing	2	107186	WT0600BRGR
20	Spacer Bearing	2	060055003	WT0600BSP
22	Front Bearing	2	060036000	WT0600BRGF
23	Drive Shaft (17-4PH) Model 0450, 0600, 0640 TRA10	1	060008001	WT0600DS
	Drive Shaft (17-4PH) Model 1300, 1340 TRA10		130008001	WT1300DS
24	Short Shaft (17-4PH) Model 0450, 0600, 0640 TRA10	1	060009001	WT0600SS
	Short Shaft (17-4PH) Model 1300, 1340 TRA10		130009001	WT1300SS
25	Drive Pin	2	CD0126000	WTCD0126
26	Bearing Retainer Front	2	060080000	WT0600BRF
27	Grease Seal Front Brg Ret	2	000030009	WT0600BRGSR
28	Button Head Cap Screw, Brg Ret	8		0700BHCSBRGR
	Button Head Capscrew, Brg Ret, SS			0700BHCSBRGR-SS
29	Stop Pin Seal	2	223126000	WT0600SPIN
30	Dowel (upper gear case)	1	CD0040R00	WT0600040R
31	Dowel Pin, Lower Gear Case Side	1	CD0040R10	WT0600040R10
32	Pump Body - 0450 TRA10	1	N/A	WT0450IMDA20
	Pump Body - 0600 TRA10		060010010	WT0600IMDA25
	Pump Body - 0640 TRA10		064001010	WT0640IMDA25
	Pump Body - 1300 TRA10		130010010	WT1300IMDA30
	Pump Body - 1340 TRA10		134010010	WT1340IMDA30
	Pump Body - 0450 TRA10 - Flush		N/A	WT0450IMDAF20
	Pump Body - 0600 TRA10 - Flush		060010011	WT0600IMDAF25
	Pump Body - 0640 TRA10 - Flush		064001011	WT0640IMDAF25
	Pump Body - 1300 TRA10 - Flush		130010011	WT1300IMDAF30
	Pump Body - 1340 TRA10 - Flush		134010011	WT1340IMDAF30
33	Rectangular Flange O Ring - Buna	1	N70366	N70366
	Rectangular Flange O Ring - Buna		N70369	N70369
35	Dowel Pin, Upper Cover Side	1	CD0040000	WT0600040
34	Dowel Pin, Lower Cover Side	1	CD0040100	WT06000401
37	Body Retaining Screw	2		WT0600RETSREW
	Body Retaining Screw			WT1300RETSREW

ZM Technologies

PARTS LIST - W045U1, W060U1, W064U1, W130U1, W134U1

38	Rotor Twin Blade - #808 Alloy - Model 0450 TRA10	2	-----	WT0450RTB
	Rotor Twin Blade - #808 Alloy - Model 0600 TRA10		060010000	WT0600RTB
	Rotor Twin Blade - #808 Alloy - Model 1300 TRA10		130010000	WT1300RTB
	Single Blade Rotor - #808 Alloy - Straight - 0600 TRA10		060010010	WT0600RSW1
	Single Blade Rotor - #808 Alloy - Straight - 1300 TRA10		060010010	WT1300RSW1
	Single Blade Rotor - #808 Alloy - 90° - 0600 TRA10		060010090	WT0600RSW2
	Single Blade Rotor - #808 Alloy - 90° - 1300 TRA10		060010090	WT1300RSW2
42	Jam Nut	4	060052001	WT0600NUT
43	Cover O Ring - Buna	1	N70272	N70272
	Cover O Ring - Silicone		S75272	S75272
	Cover O Ring - Viton®		V70272	V70272
	Cover O Ring - EPDM		E70272	E70272
44	Pump Cover	1	CD0002S00	WT0600CVRS
	Pump Cover - Jacketed		CD0002J10	WT0600CVRJ
41	Wing Nut	8	105852	WT0600WNUT
	Hex Nut		108371	WT0600HEXNUT
200	O Ring Removal Tool		AD0096001	WT096RT
201	Rotor Nut Wrench		060019000	WT0600WR
202	Oil, Magna-Plate 460-FG, 1-gal		OB1114000	WT140MOIL
	Grease micro plate #2 (1 lb tube)		OB1142000	WT142GREASE
	Sealant RTV		000142301	WTRTVSEAL
	Large Cleanout Plug	4		0700COPLUG
	Grease Fitting Cap, Red Plastic	8		WTGREASECAP
	Plastic Cap Tapped Holes, Mounting Pad	10		0700PADPLUG
	Eye Bolt	2		WTEYEBOLT

Viton® - Registered Trademark of DuPont Performance Elastomers.

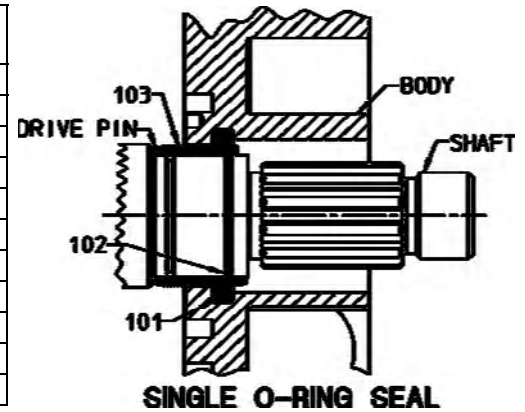
Wright Pump, Inc. grants license to its authorized distributors to copy, modify and distribute these repair parts sheets to their customers as necessary to meet business needs.

ZM Technologies

Sealing Parts List - W045U1, W060U1, W064U1, W130U1, W134U1

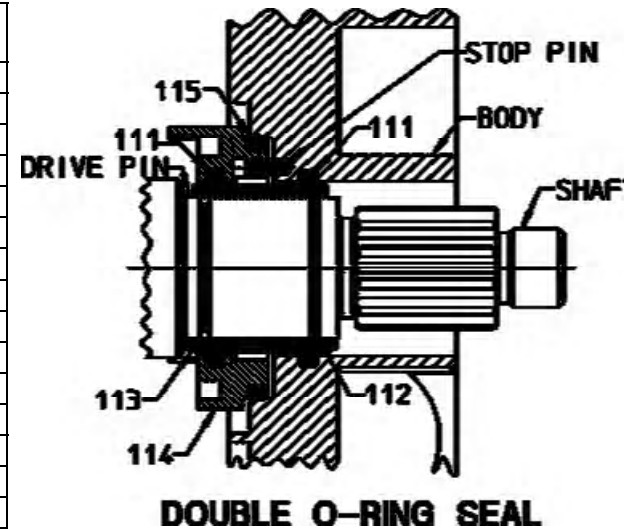
Single O-ring Seal:

Item	Description	Quantity Per Pump	Reference Part No.	ZMT Part No.
100	Single O-ring Seal:			
101	Body O Ring - Buna	2	N70331	N70331
	Body O Ring - EPDM		E70331	E70331
	Body O Ring - Viton®		V70331	V70331
	Body O Ring - Body		S75331	S75331
102	Shaft O Ring - Buna	2	N70131	N70131
	Shaft O Ring - EPDM		E70131	E70131
	Shaft O Ring - Viton®		V70131	V70131
	Shaft O Ring - Silicone		S75131	S75131
103	Sleeve SS	2	060098000	WT0600SLV
	Sleeve Zirconia		060098004	WT0600SLVZ



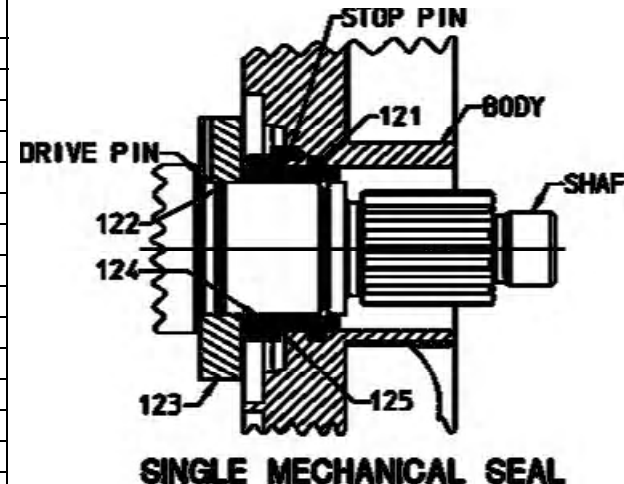
Double O-ring Seal:

Item	Description	Quantity Per Pump	Reference Part No.	ZMT Part No.
110	Double O-ring Seal:			
111	Body O Ring - Buna	4	N70331	N70331
	Body O Ring - EPDM		E70331	E70331
	Body O Ring - Viton®		V70331	V70331
	Body O Ring - Body		S75331	S75331
112	Shaft O Ring - Buna	2	N70131	N70131
	Shaft O Ring - EPDM		E70131	E70131
	Shaft O Ring - Viton®		V70131	V70131
	Shaft O Ring - Silicone		S75131	S75131
113	Sleeve SS	2	060098000	WT0600SLV
	Sleeve Zirconia		060098004	WT0600SLVZ
114	O Ring Seal Carrier	2	060034000	WT0600SLCAR
115	Outer Seal O Ring - Buna	2	N50338	N50338
	Outer Seal O Ring - EPDM		E50338	E50338
	Outer Seal O Ring - Viton®		V50338	V50338



Single Mechanical Seal:

Item	Description	Quantity Per Pump	Reference Part No.	ZMT Part No.
120	Single Mechanical Seal:			
121	Body O Ring - Buna	2	N70331	N70331
	Body O Ring - EPDM		E70331	E70331
	Body O Ring - Viton®		V70331	V70331
	Body O Ring - Body		S75331	S75331
122	Shaft O Ring - Buna	2	N70131	N70131
	Shaft O Ring - EPDM		E70131	E70131
	Shaft O Ring - Viton®		V70131	V70131
	Shaft O Ring - Silicone		S75131	S75131
123	Seal Seat Ceramic	2	060014002	WT0600SLSTCER
	Seal Seat Silicone Carbide		060014009	WT0600SLSTSIC
124	Seal Inner Carbon - 1 piece	2	060306007	WT0600SLINCAR
	Seal Inner Ceramic		40642	WT0600SLINCER
	Seal Inner Silicone Carbide		060306009	WT0600SLINSIC
125	Wave Spring	2	060304000	WT0600WSPRING

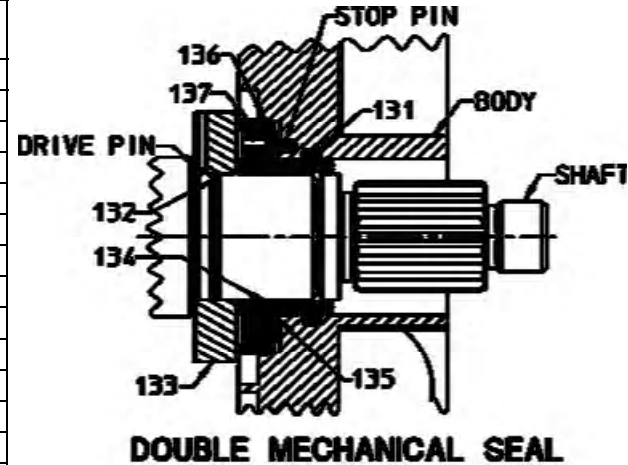


ZM Technologies

Sealing Parts List - W045U1, W060U1, W064U1, W130U1, W134U1

Double Mechanical Seal:

Item	Description	Quantity Per Pump	Reference Part No.	ZMT Part No.
130	Double Mechanical Seal:			
131	Body O Ring - Buna	2	N70331	N70331
	Body O Ring - EPDM		E70331	E70331
	Body O Ring - Viton®		V70331	V70331
	Body O Ring - Body		S75331	S75331
132	Shaft O Ring - Buna	2	N70131	N70131
	Shaft O Ring - EPDM		E70131	E70131
	Shaft O Ring - Viton®		V70131	V70131
	Shaft O Ring - Silicone		S75131	S75131
133	Seal Seat Ceramic	2	060014002	WT0600SLSTCER
	Seal Seat Silicone Carbide		060014009	WT0600SLSTSIC
134	Seal Inner Carbon - 1 piece	2	060306007	WT0600SLINCAR
	Seal Inner Ceramic		40642	WT0600SLINCER
	Seal Inner Silicone Carbide		060306009	WT0600SLINSIC
135	Wave Spring	2	060304000	WT0600WSPRING
136	Outer Seal O Ring - Buna	2	N50338	N50338
	Outer Seal O Ring - EPDM		E50338	E50338
	Outer Seal O Ring - Viton®		V50338	V50338
137	Seal Outer Carbon (1 piece)	2	060206007	WT0600SLOTRC



Viton® - Registered Trademark of DuPont Performance Elastomers.

Wright Pump, Inc. grants license to its authorized distributors to copy, modify and distribute these repair parts sheets to their customers as necessary to meet business needs.