

2 0 2 1



**WELCOME TO OUR
2021 GBOOST TECHNOLOGY CATALOG**

We have expanded all of our product lines again!
Golf Cart Drive Belts • Clutch Calibration Kits • Tools and more!



Check out our **POWERSPORTS** section
 featuring Drive Belts, Clutch Calibration Kits, Tools
 and much more for **UTVs, ATVs & Snowmobiles**
starting on page 38.



GOLF CART PRODUCTS

featuring drive belts, clutch calibration kits,
 tools & much more!

CLUTCH CALIBRATION KITS
 Golf Cart — Club Car, E-Z-GO, Yamaha, Bad Boy, Cushman6-11

DRIVE BELTS
 Golf Cart — Club Car, E-Z-GO, Yamaha12-13

STARTER BELTS
 Golf Cart — Club Car, E-Z-GO, Yamaha14-15

REPLACEMENT CLUTCHES & PARTS
 Golf Cart — Club Car, E-Z-GO, Yamaha, Comet16-21

CLUTCH WEIGHTS
 Golf Cart — Club Car, E-Z-GO, Yamaha22-23

CLUTCH SPRINGS
 Golf Cart Drive / Driven— Club Car, E-Z-GO, Yamaha24-27

ELECTRICAL COMPONENTS
 Golf Cart — Starter Generators, Regulators, Brush Kits, Solenoids, Ignition Coils28-31

BRAKE SHOES
 Golf Cart — Club Car, E-Z-GO, Yamaha32-33

SUSPENSION
 Golf Cart — Suspension Bushing Kit33

GEAR SETS
 Golf Cart — Club Car, E-Z-GO, Yamaha34-35

CLUTCH TOOLS
 Golf Cart — Club Car, E-Z-GO, Yamaha36-37

DRIVE BELT FAILURE CHART
 All Brands126

POWERSPORTS SECTION BEGINS ON PAGE 38

We have expanded all of our product lines for 2021!

POWERSPORTS PRODUCTS



MUD MONSTER™ BELTS

Built for the extreme punishment of Mud Bogging. This belt will handle the heavy belt squeeze required for those 34"-40" mud tires. Specifically designed for low speeds and heavy loads of the mud market.

Available for POLARIS & CAN-AM UTVs/ATVs
See pages 60-77 for complete product listing.

SNOW BELTS

Check out our recently expanded Snow Belt line-up! New for 2021, GBoost #DBSD067 & DBYA8DN. GBoost # DBSD067 replaces Ski-Doo part #'s 417300127 / 417300067. GBoost # DBYA8DN replaces Yamaha part #8DN-17641-00-00.

Available for SKI-DOO & YAMAHA SNOWMOBILES
See pages 78-87 for complete product listing.



RR3EXB— 3 pack

EXTREME RHINO ROLLERS

Built to withstand the harshest environments and extreme shockloads. These ARE the "World's Best" secondary rollers on the market! Enhanced compressive strength and stiffness, inherently good wear, and abrasion resistance. Excellent fatigue, stress-crack, hydrolysis, and chemical resistance. Continuous service temperature of 500°F. Melting temp creeping up on the 700°F mark. Made in the USA!

Available for CAN-AM MODELS, 2 & 3 packs.
See page 97 for complete product listing.



RR4EXB— 2 pack

CAN-AM X3 SECONDARY ROLLER PIN EXTRACTOR

GBoost Technology built our DCP26 X3 Secondary Roller Pin Extractor to help safely remove the roller pin and install your upgraded Rhino Rollers. Zinc plated to prevent rust and improve strength. you no longer have to use a slide hammer to remove those stubborn pins. Retail at only \$99.95
See page 120 for fitment specifications.



Please review catalog for complete listings.



CAN-AM DRIVE CLUTCH BEARING KIT

GBoost Technology added replacement bearing kits for Can-Am drive clutches. Our kits include 2 roller bearings, retaining clip, 2 springs and 2 spring sleeves. All high-quality components to rebuild your one-way drive clutch roller.

AVAILABLE FOR CAN-AM UTVs AND ATVs.
See page 105 for complete product listing.

GOLF CART PRODUCTS



CLUTCH CALIBRATION KIT FOR E-Z-GO VALOR / FREEDOM with EX1 EFI Engine

Kits designed to give your cart the low-end torque needed to climb hills and carry heavy loads. Kits come with Drive Clutch Roller Weights, Secondary Spring and a Severe Duty Kevlar Drive Belt.

See page 9 for fitment specifications.



WORLD'S BEST GOLF CART BELTS

Gboost uses leading edge construction and compounds to create the world's strongest / longest-lasting golf car belts on the market. Check out our latest additions to our golf car line up, newly upgraded Yamaha Quietech Golf Car Belts.

Available for CLUB CAR, E-Z-GO & YAMAHA
See page 12-13 for complete product listing.



GOLF CAR ELECTRICAL COMPONENTS

Check out our recently expanded golf car electrical section. Adding golf car ignition coils to help serve our dealer/customer base.

Available for YAMAHA & CLUB CAR.

Don't forget about our Speed Sensors and 35 Amp Rectifiers.
Available for CLUB CAR ELECTRIC MODELS.
See page 28-31 for complete product listing.



Please review catalog for complete listings.

GOLF CART CLUTCH CALIBRATION KITS

INCREASE THE OVERALL PERFORMANCE OF YOUR GOLF CART WITH A GBOOST CLUTCH CALIBRATION KIT.

- Designed for carts with standard size tires, oversize tires, and/or high-speed gears that require more belt squeeze to eliminate slippage, and allow better backshift / downshift.
- Better backshift / engine braking to prevent cart from free-wheeling down hills or inclines.
- Kits keep the clutches in the correct ratios to make sure the unit always has power available for various applications, including climbing hills and increased downhill Jake-braking.
- All kits come with high-quality, latest-technology Severe Duty Kevlar (Aramid fiber) drive belt.
- ALL KITS ARE CALIBRATED FOR EBA (Engine Braking Assist).



Clutch Calibration Kit includes: Severe Duty Drive Belt, Drive Spring (if applicable), Driven Spring. Some kits include weights.

Kits will not increase top speed of unit.

Available for:

Club Car. EZGO. YAMAHA CUSHMAN BAD BOY

MADE IN U.S.A.

continued GOLF CART CLUTCH CALIBRATION KITS

Club Car.

YEAR	FITMENT	GBOOST#	PRICE
2019–2021	All Models w/14hp Kohler motor – Pedal Start		
	2–4 Passenger — Stock Tires and/or Level Terrain	CKSDCC41	\$139.95
	2–4 Passenger — Oversize Tires, Heavy Workload and/or Hilly Terrain	CKSDCC42	\$139.95
	4–6 Passenger — Oversize Tires, Heavy Workload and/or Hilly Terrain	CKSDCC43	\$139.95
	Up to 6 Passenger — Coastal inclines and/or very steep grades	CKSDCC44	\$139.95
	Over 6 Passenger — Oversize Tires, Heavy Workload and/or Hilly Terrain	CKSDCC45	\$139.95
	Over 6 Passenger — Coastal inclines and/or very steep grades	CKSDCC46	\$139.95
2019–2021	All Models w/14hp Kohler motor – Key Start		
	2–4 Passenger — Stock Tires and/or Level Terrain	CKSDCC50	\$139.95
	2–4 Passenger — Oversize Tires, Heavy Workload and/or Hilly Terrain	CKSDCC51	\$139.95
	4–6 Passenger — Oversize Tires, Heavy Workload and/or Hilly Terrain	CKSDCC52	\$139.95
	Up to 6 Passenger — Coastal inclines and/or very steep grades	CKSDCC53	\$139.95
	Over 6 Passenger — Oversize Tires, Heavy Workload and/or Hilly Terrain	CKSDCC54	\$139.95
	Over 6 Passenger — Coastal inclines and/or very steep grades	CKSDCC55	\$139.95
2014–2020	PRECEDENT / TURF / CARRYALL / ONWARD w/14hp Subaru motor – Pedal Start		
	2–4 Passenger — Stock Tires and/or Level Terrain	CKSDCC4	\$139.95
	2–4 Passenger — Oversize Tires, Heavy Workload and/or Hilly Terrain	CKSDCC19	\$139.95
	4–6 Passenger — Oversize Tires, Heavy Workload and/or Hilly Terrain	CKSDCC6	\$139.95
	Up to 6 Passenger — Coastal inclines and/or very steep grades	CKSDCC20	\$139.95
	Over 6 Passenger — Oversize Tires, Heavy Workload and/or Hilly Terrain	CKSDCC15	\$139.95
	Over 6 Passenger — Coastal inclines and/or very steep grades	CKSDCC21	\$139.95
2014–2020	PRECEDENT / TURF / CARRYALL / ONWARD w/14hp Subaru motor – Key Start		
	2–4 Passenger — Stock Tires and/or Level Terrain	CKSDCC5	\$139.95
	2–4 Passenger — Oversize Tires, Heavy Workload and/or Hilly Terrain	CKSDCC22	\$139.95
	4–6 Passenger — Oversize Tires, Heavy Workload and/or Hilly Terrain	CKSDCC7	\$139.95
	Up to 6 Passenger — Coastal inclines and/or very steep grades	CKSDCC23	\$139.95
	Over 6 Passenger — Oversize Tires, Heavy Workload and/or Hilly Terrain	CKSDCC18	\$139.95
	Over 6 Passenger — Coastal inclines and/or very steep grades	CKSDCC24	\$139.95
1997–2016	PRECEDENT / DS / TURF / CARRYALL w/fe290–350–400 motor — Clockwise Motor		
	2–4 Passenger — Stock Tires and/or Level Terrain	CKSDCC1	\$139.95
	2–4 Passenger — Oversize Tires, Heavy Workload and/or Hilly Terrain	CKSDCC25	\$139.95
	4–6 Passenger — Oversize Tires, Heavy Workload and/or Hilly Terrain	CKSDCC16	\$139.95
	Up to 6 Passenger — Coastal inclines and/or very steep grades	CKSDCC26	\$139.95
	Over 6 Passenger — Oversize Tires, Heavy Workload and/or Hilly Terrain	CKSDCC17	\$139.95
	Over 6 Passenger — Coastal inclines and/or very steep grades	CKSDCC27	\$139.95

GOLF CART CLUTCH CALIBRATION KITS *continued*

Club Car

YEAR	FITMENT	GBOOST#	PRICE
Up to 1996	PRECEDENT / DS / TURF / CARRYALL w/fe290-350-400 motor — Counterclockwise Motor		
	2-4 Passenger — Stock Tires and/or Level Terrain	CKSDCC3	\$139.95
	2-4 Passenger — Oversize Tires, Heavy Workload and/or Hilly Terrain	CKSDCC28	\$139.95
	4-6 Passenger — Oversize Tires, Heavy Workload and/or Hilly Terrain	CKSDCC10	\$139.95
	Up to 6 Passenger — Coastal inclines and/or very steep grades	CKSDCC29	\$139.95
	Over 6 Passenger — Oversize Tires, Heavy Workload and/or Hilly Terrain	CKSDCC11	\$139.95
	Over 6 Passenger — Coastal inclines and/or very steep grades	CKSDCC30	\$139.95
2009-2020	XRT 1500 / 1550 — Gas w/TEAM Clutches		
	2 Passenger — Stock Tires and/or Level Terrain	CKSDCC2	\$169.95
	2 Passenger — Oversize Tires, Heavy Workload and/or Hilly Terrain	CKSDCC31	\$169.95
	4 Passenger — Oversize Tires, Heavy Workload and/or Hilly Terrain	CKSDCC12	\$169.95
	Coastal inclines and/or very steep grades	CKSDCC32	\$169.95
2009-2020	XRT 1550 — Diesel w/TEAM Clutches		
	2 Passenger — Stock Tires and/or Level Terrain	CKSDCC13	\$169.95
	2 Passenger — Oversize Tires, Heavy Workload and/or Hilly Terrain	CKSDCC33	\$169.95
	4 Passenger — Oversize Tires, Heavy Workload and/or Hilly Terrain	CKSDCC14	\$169.95
	Coastal inclines and/or very steep grades	CKSDCC34	\$169.95
1997-2016	REFRESHMENT CART — Model 272 w/fe290-350-400 — Clockwise Motor		
	Heavy Loads	CKSDCC8	\$139.95
	Coastal inclines and/or very steep grades	CKSDCC35	\$139.95

CUSHMAN

YEAR	FITMENT	GBOOST#	PRICE
2012-2016	13hp Models w/TEAM Clutches		
	2-4 Passenger — Stock Tires and/or Level Terrain	CKSDEZ4	\$224.95
	2-4 Passenger — Oversize Tires, Heavy Workload and/or Hilly Terrain	CKSDEZ27	\$224.95
	4-6 Passenger — Oversize Tires, Heavy Workload and/or Hilly Terrain	CKSDEZ19	\$224.95
	Up to 6 Passenger — Coastal inclines and/or very steep grades	CKSDEZ28	\$224.95
	Over 6 Passenger — Oversize Tires, Heavy Workload and/or Hilly Terrain	CKSDEZ15	\$224.95
	Over 6 Passenger — Coastal inclines and/or very steep grades	CKSDEZ29	\$224.95
2008-2011	13hp Models w/Kawasaki Clutches		
	2-4 Passenger — Stock Tires and/or Level Terrain	CKSDEZ2	\$139.95
	2-4 Passenger — Oversize Tires, Heavy Workload and/or Hilly Terrain	CKSDEZ30	\$139.95
	4-6 Passenger — Oversize Tires, Heavy Workload and/or Hilly Terrain	CKSDEZ17	\$139.95
	Up to 6 Passenger — Coastal inclines and/or very steep grades	CKSDEZ31	\$139.95
	Over 6 Passenger — Oversize Tires, Heavy Workload and/or Hilly Terrain	CKSDEZ32	\$139.95
	Over 6 Passenger — Coastal inclines and/or very steep grades	CKSDEZ33	\$139.95
All Years	9hp / 11hp Models		
	2-4 Passenger — Stock Tires and/or Level Terrain	CKSDEZ1	\$139.95
	2-4 Passenger — Oversize Tires, Heavy Workload and/or Hilly Terrain	CKSDEZ37	\$224.95
	4-6 Passenger — Oversize Tires, Heavy Workload and/or Hilly Terrain	CKSDEZ9	\$224.95
	Up to 6 Passenger — Coastal inclines and/or very steep grades	CKSDEZ38	\$224.95
	Over 6 Passenger — Oversize Tires, Heavy Workload and/or Hilly Terrain	CKSDEZ26	\$224.95
	Over 6 Passenger — Coastal inclines and/or very steep grades	CKSDEZ39	\$224.95

continued GOLF CART CLUTCH CALIBRATION KITS

EZGO

YEAR	FITMENT	GBOOST #	PRICE
2020-2021	ALL MODELS w/EX1 closed-loop EFI gas engine (Valor / Freedom)		
	2-4 Passenger — Stock Tires and/or Level Terrain	CKSDEZ41	\$224.95
	2-4 Passenger — Oversize Tires, Heavy Workload and/or Hilly Terrain	CKSDEZ42	\$224.95
	4-6 Passenger — Oversize Tires, Heavy Workload and/or Hilly Terrain	CKSDEZ43	\$224.95
	Up to 6 Passenger — Coastal inclines and/or very steep grades	CKSDEZ44	\$224.95
	Over 6 Passenger — Oversize Tires, Heavy Workload and/or Hilly Terrain	CKSDEZ45	\$224.95
	Over 6 Passenger — Coastal inclines and/or very steep grades	CKSDEZ46	\$224.95
2012-2021	13hp TXT / RXV / ST400 / TERRAIN — w/TEAM Clutches		
2008-2011	13hp TXT / RXV / ST400 / TERRAIN — w/updated TEAM Clutches		
	2-4 Passenger — Stock Tires and/or Level Terrain	CKSDEZ4	\$224.95
	2-4 Passenger — Oversize Tires, Heavy Workload and/or Hilly Terrain	CKSDEZ27	\$224.95
	4-6 Passenger — Oversize Tires, Heavy Workload and/or Hilly Terrain	CKSDEZ19	\$224.95
	Up to 6 Passenger — Coastal inclines and/or very steep grades	CKSDEZ28	\$224.95
	Over 6 Passenger — Oversize Tires, Heavy Workload and/or Hilly Terrain	CKSDEZ15	\$224.95
	Over 6 Passenger — Coastal inclines and/or very steep grades	CKSDEZ29	\$224.95
2008-2011	13hp TXT / RXV / ST400 / TERRAIN — w/Kawasaki Clutches		
	2-4 Passenger — Stock Tires and/or Level Terrain	CKSDEZ2	\$139.95
	2-4 Passenger — Oversize Tires, Heavy Workload and/or Hilly Terrain	CKSDEZ30	\$139.95
	4-6 Passenger — Oversize Tires, Heavy Workload and/or Hilly Terrain	CKSDEZ17	\$139.95
	Up to 6 Passenger — Coastal inclines and/or very steep grades	CKSDEZ31	\$139.95
	Over 6 Passenger — Oversize Tires, Heavy Workload and/or Hilly Terrain	CKSDEZ32	\$139.95
	Over 6 Passenger — Coastal inclines and/or very steep grades	CKSDEZ33	\$139.95
2012-2020	13hp REFRESHMENT CARTS — w/TEAM Clutches		
2008-2011	13hp REFRESHMENT CARTS — w/Updated TEAM Clutches		
	Heavy Loads	CKSDEZ16	\$224.95
	Coastal inclines and/or very steep grades	CKSDEZ34	\$224.95
2008-2011	13hp REFRESHMENT CARTS — w/Kawasaki Clutches		
	Heavy Loads	CKSDEZ25	\$139.95
	Coastal inclines and/or very steep grades	CKSDEZ35	\$139.95
1994-2012	9hp / 11hp 4-Stroke Carts		
	2-4 Passenger — Stock Tires and/or Level Terrain	CKSDEZ1	\$139.95
	2-4 Passenger — Oversize Tires, Heavy Workload and/or Hilly Terrain	CKSDEZ37	\$139.95
	4-6 Passenger — Oversize Tires, Heavy Workload and/or Hilly Terrain	CKSDEZ9	\$224.95
	Up to 6 Passenger — Coastal inclines and/or very steep grades	CKSDEZ38	\$224.95
	Over 6 Passenger — Oversize Tires, Heavy Workload and/or Hilly Terrain	CKSDEZ26	\$224.95
	Over 6 Passenger — Coastal inclines and/or very steep grades	CKSDEZ39	\$224.95
1994-2012	REFRESHMENT CARTS		
	Heavy Loads	CKSDEZ11	\$224.95
	Coastal inclines and/or very steep grades	CKSDEZ40	\$224.95

GOLF CART CLUTCH CALIBRATION KITS continued



YEAR	FITMENT	GBOOST #	PRICE
2017-2021	QUIETECH GOLF CARTS / FLEET CARS (w/updated UMAX Drive Clutch)		
	2-4 Passenger — Stock Tires, Level Terrain and/or Hi-Speed Gears	CKSDYA90	TBA
	2-4 Passenger — Oversize Tires, Hilly Terrain	CKSDYA91	TBA
	4-6 Passenger — Oversize Tires, Hilly Terrain	CKSDYA92	TBA
	Up to 6 Passenger — Coastal inclines and/or very steep grades	CKSDYA93	TBA
	Over 6 Passenger — Oversize Tires, Hilly Terrain, Heavy Loads, and/or Hi-Speed Gears	CKSDYA94	TBA
	Over 6 Passenger — Coastal inclines and/or very steep grades	CKSDYA95	TBA
2017-2021	QUIETECH GOLF CARTS / FLEET CARS (w/OEM FBT Clutches)		
	2-4 Passenger — Stock Tires, Level Terrain and/or Hi-Speed Gears	CKSDYA30	\$139.95
	2-4 Passenger — Oversize Tires, Hilly Terrain and/or Hi-Speed Gears — Stage 1	CKSDYA33	\$139.95
	2-4 Passenger — Oversize Tires, Hilly Terrain — Stage 2 includes weights	CKSDYA34	\$299.95
	4-6 Passenger — Oversize Tires, Hilly Terrain and/or Hi-Speed Gears — Stage 1	CKSDYA53	\$139.95
	4-6 Passenger — Oversize Tires, Hilly Terrain — Stage 2 includes weights	CKSDYA41	\$299.95
	Up to 6 Passenger — Coastal inclines and/or very steep grades includes weights	CKSDYA7	\$299.95
	Over 6 Passenger — Oversize Tires, Hilly Terrain, Heavy Loads, and/or Hi-Speed Gears — Stage 1	CKSDYA45	\$139.95
	Over 6 Passenger — Oversize Tires, Hilly Terrain, Heavy Loads, and/or Hi-Speed Gears — Stage 2 includes weights	CKSDYA42	\$299.95
	Over 6 Passenger — Coastal inclines and/or very steep grades includes weights	CKSDYA9	\$299.95
2012.5-2020	YDR GOLF CARTS / FLEET CARS		
2007-2012	YDR GOLF CARTS w/updated FBT clutches		
	2-4 Passenger — Stock Tires, Level Terrain and/or Hi-Speed Gears	CKSDYA48	\$139.95
	2-4 Passenger — Oversize Tires, Hilly Terrain and/or Hi-Speed Gears — Stage 1	CKSDYA6	\$139.95
	2-4 Passenger — Oversize Tires, Hilly Terrain — Stage 2 includes weights	CKSDYA57	\$299.95
	4-6 Passenger — Oversize Tires, Hilly Terrain and/or Hi-Speed Gears — Stage 1	CKSDYA36	\$139.95
	4-6 Passenger — Oversize Tires, Hilly Terrain — Stage 2 includes weights	CKSDYA46	\$299.95
	Up to 6 Passenger — Coastal inclines and/or very steep grades includes weights	CKSDYA59	\$299.95
	Over 6 Passenger — Oversize Tires, Hilly Terrain, Heavy Loads, and/or Hi-Speed Gears — Stage 1	CKSDYA38	\$139.95
	Over 6 Passenger — Oversize Tires, Hilly Terrain, Heavy Loads, and/or Hi-Speed Gears — Stage 2 includes weights	CKSDYA43	\$299.95
	Over 6 Passenger — Coastal inclines and/or very steep grades includes weights	CKSDYA65	\$299.95
2019-2021	UMAX ONE & TWO		
	Stock Tires and/or Level Terrain	CKSDYA60	\$139.95
	Oversize Tires, Heavy Workload and/or Hilly Terrain	CKSDYA61	\$139.95
	Oversize Tires, Heavy Workload and/or Hilly Terrain — Stage 2	CKSDYA66	TBA
	Coastal inclines and/or very steep grades	CKSDYA68	TBA
2019-2021	UMAX RALLY 2+2		
	Stock Tires and/or Level Terrain	CKSDYA62	\$139.95
	Oversize Tires, Heavy Workload and/or Hilly Terrain	CKSDYA69	\$139.95
	Oversize Tires, Heavy Workload and/or Hilly Terrain — Stage 2	CKSDYA67	TBA
	Coastal inclines and/or very steep grades	CKSDYA63	TBA
2019-2021	UMAX FAIRWAY LOUNGE		
	Heavy Loads	CKSDYA64	\$139.95
	Coastal inclines and/or very steep grades	CKSDYA71	TBA

continued GOLF CART CLUTCH CALIBRATION KITS



YEAR	FITMENT	GBOOST #	PRICE
2007-2012	YDR GOLF CARTS w/TEAM Clutches		
	2-4 Passenger — Stock Tires, Level Terrain and/or Hi-Speed Gears	CKSDYA2	\$224.95
	2-4 Passenger — Oversize Tires, Hilly Terrain, Heavy Loads and/or Hi-Speed Gears	CKSDYA3	\$224.95
	4-6 Passenger — Oversize Tires, Hilly Terrain, Heavy Loads and/or Hi-Speed Gears	CKSDYA56	\$224.95
	Up to 6 Passenger — Coastal inclines and/or very steep grades	CKSDYA73	\$224.95
	Over 6 Passenger — Oversize Tires, Hilly Terrain, Heavy Loads and/or Hi-Speed Gears	CKSDYA40	\$224.95
	Over 6 Passenger — Coastal inclines and/or very steep grades	CKSDYA74	\$224.95
2012.5-2020	REFRESHMENT CARTS		
2007-2012	HAULERS / REFRESHMENT CARTS w/Updated FBT Clutches		
	Heavy Loads	CKSDYA45	\$139.95
	Coastal inclines and/or very steep grades includes weights	CKSDYA9	\$299.95
2007-2012	HAULERS / REFRESHMENT CARTS w/TEAM Clutches		
	Heavy Loads	CKSDYA20	\$224.95
	Coastal inclines and/or very steep grades includes weights	CKSDYA76	\$224.95
1996-2006	4-STROKE GOLF CARTS / PRO HAULER		
	Stock Tires, Level Terrain	CKSDYA1	\$139.95
	2-4 Passenger and/or 20-25" Tires	CKSDYA10	\$224.95
	Up to 6 Passenger — Coastal inclines and/or very steep grades	CKSDYA80	\$224.95
	Over 6 Passenger — Oversize Tires, Hilly Terrain, Heavy Loads and/or Hi-Speed Gears	CKSDYA23	\$224.95
	Over 6 Passenger — Coastal inclines and/or very steep grades	CKSDYA81	\$224.95
1996-2006	REFRESHMENT CARTS		
	Heavy Loads	CKSDYA19	\$224.95
	Coastal inclines and/or very steep grades	CKSDYA82	\$224.95



YEAR	FITMENT	GBOOST#	PRICE
All Years	13hp KAWASAKI GAS GOLF CARTS w/TEAM Clutches		
	2-4 Passenger — Stock Tires and/or Level Terrain	CKSDEZ4	\$224.95
	2-4 Passenger — Oversize Tires, Heavy Workload and/or Hilly Terrain	CKSDEZ27	\$224.95
	4-6 Passenger — Oversize Tires, Heavy Workload and/or Hilly Terrain	CKSDEZ19	\$224.95
	Up to 6 Passenger — Coastal inclines and/or very steep grades	CKSDEZ28	\$224.95
	Over 6 Passenger — Oversize Tires, Heavy Workload and/or Hilly Terrain	CKSDEZ15	\$224.95
	Over 6 Passenger — Coastal inclines and/or very steep grades	CKSDEZ29	\$224.95

GOLF CART DRIVE BELTS

continued GOLF CART DRIVE BELTS

WHAT MAKES OUR BELTS THE BEST AVAILABLE?

The latest and greatest technology is built into all of our belts!

- The latest rubber compound technology available for increased adhesion to clutch faces and longer life.
- Aramid fiber—the highest tensile strength available. Eliminates stretching, breakage, cord separation.
- Certified to be within OEM required manufacturing spec.
- Exceeds OEM belt quality in cord strength, compression side load capabilities, heat resistance up to 275 degrees and stretching resistance.
- GBoost Technology logo/part numbers on belts and belt sleeves to ensure you are getting the correct fitment and quality that you paid for.



Designed in cooperation with Glenn Erlandson, CVT Clutching Guru.

WORLD'S BEST BELT

3rd Gen heavy-duty, high-twist Kevlar cord for HIGH HORSEPOWER TENSILE LOAD requirements makes this the strongest belt on the market.

KEVLAR

Superior to OEM quality, higher tensile strength cord construction, and higher temperature compound.

HEAVY DUTY

Superior to OEM quality, stronger cord construction, and higher temperature compound.

DRIVE BELT WAREHOUSE

Comparable to OEM quality, cord construction, and compound.

Club Car

YEAR	FITMENT	OEM	GBOOST #	PRICE
2019–2021	All Models w/14hp Kohler motor — Pedal Start			
	Kevlar	105245801	DBCC5801KH	\$49.95
	Heavy Duty	105245801	DBCC5801	\$39.95
	Drive Belt Warehouse	105245801	DBWH5801	\$29.95
2019–2021	All Models w/14hp Kohler motor — Key Start			
	Kevlar	103974102	DBCC4102SD	\$49.95
	Heavy Duty	103974102	DBCC4102	\$39.95
	Drive Belt Warehouse	103974102	DBWH4102	\$29.95
2014–2020	All Models w/14hp Subaru motor — Pedal Start			
	World's Best Belt	105245801	WBB5801	\$69.95
	Kevlar	105245801	DBCC5801SD	\$49.95
	Heavy Duty	105245801	DBCC5801	\$39.95
	Drive Belt Warehouse	105245801	DBWH5801	\$29.95
2014–2020	All Models w/14hp Subaru motor — Key Start			
	Kevlar	103974102	DBCC4102SD	\$49.95
	Heavy Duty	103974102	DBCC4102	\$39.95
	Drive Belt Warehouse	103974102	DBWH4102	\$29.95
2004–2021	XRT 1550 / 1500 gas / diesel — CARRYALL 294 gas / diesel			
	World's Best Belt	102374901	WBB3750	\$89.95
	Kevlar	102374901	DBCC3750	\$69.95
	Heavy Duty	102374901	DBCC3749	\$39.95
2009–2011	XRT 950			
	Kevlar	103416101	DBCC6102	\$69.95
1987–2015	DS / PRECEDENT / TURF / CARRYALL / fe290 / fe350 / fe400			
	World's Best Belt	1016203	WBB7189	\$89.95
	Kevlar	1016203	DBCC7189	\$49.95
	Heavy Duty	1016203	DBCC6203	\$39.95
	Drive Belt Warehouse	1016203	DBWH6203	\$29.95
1987–2015	TURF 1 / 2 / 6 — CARRYALL 1 / 2 — VILLAGER 4 / 6 / 8 — TRANSPORTER 4 / 6			
	World's Best Belt	1017188	WBB7189	\$89.95
	Kevlar	1017188	DBCC7189	\$49.95
	Heavy Duty	1017188	DBCC7188	\$39.95
	Drive Belt Warehouse	1017188	DBWH7188	\$29.95
2000–2011	All 294 / 295 models — gas / diesel			
	World's Best Belt	102374901	WBB3750	\$89.95
	Kevlar	102374901	DBCC3750	\$69.95
	Heavy Duty	102374901	DBCC3749	\$39.95
All Years	CAFÉ DELUXE 272 / fe290 / fe350 / fe400			
	Kevlar	102267101	DBCC2671	\$49.95

EZGO

YEAR	FITMENT	OEM	GBOOST #	PRICE
2021	All Models w/EX1 EFI Engine			
	World's Best Belt	696533	WBB6533	\$129.95
	Kevlar	696533	DBEZ6534	\$99.95
	Heavy Duty	696533	DBEZ6533	\$79.95
	Drive Belt Warehouse	696533	DBWH6533	\$59.95
2012–2021	RXV / TXT / TERRAIN / ST400 / EXPRESS gas w/TEAM clutches			
	World's Best Belt	618630	WBB8631	\$89.95
	Kevlar	618630	DBEZ8631	\$69.95
	Heavy Duty	618630	DBEZ8630	\$49.95
	Drive Belt Warehouse	618630	DBWH8630	\$39.95
2008–2011	RXV / TXT / TERRAIN / ST400 gas w/Kawasaki clutches			
	Kevlar	606136	DBEZ6137	\$49.95
2008–2011	RXV / TXT / TERRAIN / ST400 gas w/updated TEAM clutches			
	World's Best Belt	618630	WBB8631	\$89.95
	Kevlar	618630	DBEZ8631	\$69.95
	Heavy Duty	618630	DBEZ8630	\$49.95
	Drive Belt Warehouse	618630	DBWH8630	\$39.95
1994–2012	ROBIN twin cylinder 4-stroke			
	Kevlar	72054-G01	DBEZ2055	\$49.95
	Heavy Duty	72054-G01	DBEZ2054	\$46.95
	Drive Belt Warehouse	72054-G01	DBWH2054	\$39.95
	2001–2012	ST 480		
Heavy Duty		75691-G01	DBEZ5691	\$49.95
All Years	Replaces E-Z-GO Severe Duty #72328-G01			
	Kevlar	72328-G01	DBEZ2328	\$49.95
2004–2007	ST 4x4 gas models			
	Heavy Duty	73965-G01	DBEZ3965	\$49.95
1989–1993	2-stroke			
	Kevlar	27077-G01	DBEZ7078	\$49.95
1969–1986	2-stroke			
	Kevlar	14153-G01	DBEZ4154	\$49.95

YAMAHA

YEAR	FITMENT	OEM	GBOOST #	PRICE
2019–2021	UMAX			
	World's Best Belt	J0G-G6241-00-00	WBBJ60	\$89.95
	Extreme Duty (Kevlar Cord)	J0G-G6241-00-00	DBYAJ58H	\$69.95
	Heavy Duty	J0G-G6241-00-00	DBYAJ55H	\$35.95
2017–2021	QUIETECH Models w/FBT clutches			
	World's Best Belt	J0D-G6241-00-00 / J0B-G6241-00-00	WBB6241	TBA
	Kevlar	J0D-G6241-00-00 / J0B-G6241-00-00	DBYA6241EX	TBA
	Heavy Duty	J0D-G6241-00-00 / J0B-G6241-00-00	DBYA6241	TBA
2012.5–2021	All Models 4-stroke (non-QUIETECH) w/FBT clutches			
	World's Best Belt	J55-G6241-00-00	WBBJ60	\$89.95
	Kevlar	J55-G6241-00-00	DBYAJ57H	\$54.95
	Heavy Duty	J55-G6241-00-00	DBYAJ55H	\$35.95
2007–2012	All Models 4-stroke w/TEAM clutches			
	Kevlar	JW1-G6241-10-00	DBYAJ69H	\$49.95
	Heavy Duty	JW1-G6241-10-00	DBYAJ68H	\$39.95
2007–2012	All Models 4-stroke w/updated FBT clutches			
	Kevlar	J55-G6241-00-00	DBYAJ57H	\$54.95
	Heavy Duty	J55-G6241-00-00	DBYAJ55H	\$35.95
1986–2006	All Models 4-stroke			
	Kevlar	J55-G6241-00-00	DBYAJ56H	\$49.95
	Heavy Duty	J55-G6241-00-00	DBYAJ55H	\$35.95

GOLF CART STARTER BELTS

- Certified to be within OEM required manufacturing spec.
- Meets or exceeds OEM (Original Equipment Manufacturer) quality.
- Severe-Duty and Extreme-Duty Starter Belts are stretch-resistant Kevlar® (Aramid fiber). Other starter belts on the market are made of polyester and will stretch up to 1-1/2% during the first few miles of operation (unit then will not start until belt is adjusted).



EXTREME DUTY

E-COMPOUND BELTS

Superior to OEM and S-Compound quality. Wider design, heat resistant compound, Kevlar (Aramid fiber).

SEVERE DUTY

S-COMPOUND BELTS

Superior to OEM quality, stronger cord construction, and higher temperature compound, Kevlar (Aramid fiber).

STANDARD

STANDARD BELTS

Comparable to OEM quality, cord construction, and compound.

Club Car

YEAR	FITMENT	OEM	GBOOST #	PRICE
2019-2021	ONWARD / All Models w/14hp Kohler motor			
	Severe Duty Kevlar	47539338002	TBD	TBD
	Standard Belt	47539338002	TBD	TBD
2018-2020	ONWARD w/14hp Subaru motor			
	Severe Duty Kevlar	47539338001	SBCC8001SD	\$14.95
	Standard Belt	47539338001	SBCC8001	\$13.95
2014-2018	DS / PRECEDENT / CARRYALL / TURF / XRT w/14hp Subaru motor			
	Severe Duty Kevlar	105205401	SBCC5401SD	\$14.95
	Standard Belt	105205401	SBCC5401	\$13.95
1997-2015	DS / PRECEDENT / CARRYALL / TURF / XRT w/fe290 / fe350 / fe400 motor			
	Extreme Duty	1019167-01	SBCC9167EX	\$17.95
	Severe Duty Kevlar	1019167-01	SBCC9167SD	\$15.95
1992-1996	DS / PRECEDENT / CARRYALL / TURF / XRT w/counterclockwise fe290 / fe350 / fe400 motor			
	Standard Belt	1015241	SBCC5241	\$14.95
	1988-1991	All Models		
Standard Belt		1014290	SBCC4290	\$14.95

Contact GBoost for bulk pack discounts

continued GOLF CART STARTER BELTS

EZGO

YEAR	FITMENT	OEM	GBOOST #	PRICE
2012-Current	RXV / TERRAIN / ST w/13hp Kawasaki Motor — w/TEAM Clutches			
	Severe Duty Kevlar	630587	SBEZ587SD	\$17.95
2008-2012	RXV / TERRAIN / ST w/13hp Kawasaki Motor — w/Kawasaki Clutches			
	Severe Duty Kevlar	606138	SBEZ6138	\$17.95
2008-2012	RXV / TERRAIN / ST w/13hp Kawasaki Motor — w/updated TEAM Clutches			
	Severe Duty Kevlar	630587	SBEZ587SD	\$17.95
1991-2015	9hp / 11hp w/ROBIN Twin Motor			
	Severe Duty Kevlar	26414G01	SBEZ6414	\$14.95
All Years	ST 4x4			
	Severe Duty Kevlar	73561G01	SBEZ3561	\$14.95
2001-2010	ST480			
	Severe Duty Kevlar	75690G01	SBEZ5690	\$14.95
1980-1994	2-Stroke Motors			
	Severe Duty Kevlar	606138	SBEZ6138	\$17.95

YAMAHA

YEAR	FITMENT	OEM	GBOOST #	PRICE
2019-2021	UMAX			
	Severe Duty Kevlar	JW1-H1173-02-00	SBYAJW1SD	\$18.95
	Standard Belt	JW1-H1173-02-00	SBYAJW1	\$15.95
	2012.5-2021	All Gas Models w/FBT Clutches		
Severe Duty Kevlar		JW1-H1173-02-00	SBYAJW1SD	\$18.95
Standard Belt		JW1-H1173-02-00	SBYAJW1	\$15.95
2007-2012	All Gas / YDR w/TEAM Clutches			
	Severe Duty Kevlar	JW1-H1173-00-00	SBYAJW1SD	\$18.95
	Standard Belt	JW1-H1173-00-00	SBYAJW1	\$15.95
2007-2012	All Gas Models w/updated FBT Clutches			
	Severe Duty Kevlar	JW1-H1173-00-00	SBYAJW1SD	\$18.95
	Standard Belt	JW1-H1173-00-00	SBYAJW1	\$15.95
1996-2006	G16-22			
	Severe Duty Kevlar	JN6-H1173-00-00	SBYAJN6HSD	\$17.95
	Standard Belt	JN6-H1173-00-00	SBYAJN6H	\$12.95
1987-1995	All Gas			
	Severe Duty Kevlar	J55-H1173-00-00	SBYAJ55HSD	\$17.95

Contact GBoost for bulk pack discounts

GOLF CART REPLACEMENT CLUTCHES

- Different styles of clutches to make more tuning parts available.
- These clutches vary in the amount of horsepower they will handle.
- Most golf cart motors are 30mm tapered style. You must know the correct offset needed for your application.



YEAR	FITMENT	GBOOST #	PRICE
2008–2018	XRT 1550 Diesel (3 weight style) OEM (TEAM)		
	Drive Clutch	8101	\$439.95
	Driven Clutch	8201	\$299.95
2008–2018	XRT 1550 / XRT 1500 Gas OEM (TEAM)		
	Drive Clutch	8001	\$399.95
	Driven Clutch	8201	\$299.95
2004–2008	XRT 1500 Gas w/update to new style OEM (TEAM)		
	Drive Clutch <i>(Note: Units w/HONDA engine must order part # 103941801 to update the drive clutch)</i>	857801	\$539.95
	Driven Clutch	9901	\$399.95
2009–2011	XRT 950		
	Drive Clutch	869801	\$479.95
	Driven Clutch	NA	NA
2008–2011	XRT 900		
	Drive Clutch	3906	\$399.95
	Driven Clutch	4003	\$209.95
2006–2011	XRT 800 / 810 / 850 w/ fe350 / 372		
	Drive Clutch	3906	\$399.95
	Driven Clutch	4001	\$209.95

continued GOLF CART REPLACEMENT CLUTCHES

Club Car

YEAR	FITMENT	GBOOST #	PRICE
All Years	CARRYALL 294 Diesel (replaces 2 & 3 weight) — OEM (TEAM)		
	Drive Clutch	57901	\$619.95
	Driven Clutch	9901	\$399.95
2019–2021	All Models w/14hp Kohler Motor — Pedal Start — OEM		
	Drive Clutch	3901	\$299.95
	Driven Clutch	767002	\$179.95
2019–2021	All Models w/14hp Kohler Motor — Key Start — OEM		
	Drive Clutch	973902	\$259.95
	Driven Clutch	767001	\$179.95
2014–2020	All Models w/14hp Subaru Motor — Pedal Start — OEM		
	Drive Clutch	3901	\$279.95
	Driven Clutch	4002	\$199.95
2014–2020	All Models w/14hp Subaru Motor — Key Start — OEM		
	Drive Clutch	973902	\$379.95
	Driven Clutch	4002	\$179.95
1997–2015	All fe290 / 350 / 400 w/clockwise motor — Pedal Start — OEM		
	Drive Clutch	3902	\$349.95
	Driven Clutch	4001	\$209.95
1997–2015	All fe290 / 350 / 400 w/clockwise motor — Key Start — OEM		
	Drive Clutch	3903	\$399.95
	Driven Clutch	4001	\$209.95
1997–2015	All fe290 / 350 / 400 w/clockwise motor — Pedal Start — Salsbury		
	Drive Clutch	302660	\$269.95
	Driven Clutch	302661	\$239.95
1995–1996	CARRYALL II PLUS w/counterclockwise motor — Key Start — OEM VILLAGER / TRANSPORTER w/counterclockwise motor — Key Start — OEM		
	Drive Clutch — OEM #1016378-04	Special Order	
	Driven Clutch — CARRYALL II PLUS	636003	\$249.95
	Driven Clutch — VILLAGER / TRANSPORT	636001	\$269.95
1992–1996	All fe290 / 350 / 400 w/counterclockwise motor — Pedal Start — OEM		
	Drive Clutch	637802	\$309.95
	Driven Clutch	636001	\$269.95
1992–1996	All fe290 / 350 / 400 w/counterclockwise motor — Pedal Start — Salsbury		
	Drive Clutch	302391	\$254.95
	Driven Clutch	302392	\$230.95
1988–1991	All w/counterclockwise motor — Pedal Start		
	Drive Clutch	302393	\$299.95
	Driven Clutch — OEM	636001	\$269.95
	Driven Clutch — Salsbury	302392	\$230.95
1984–1987	All w/counterclockwise motor — Pedal Start — Salsbury		
	Drive Clutch	300712	\$254.95
	Driven Clutch	300794	\$230.95

GOLF CART REPLACEMENT CLUTCHES *continued*

EZGO



219185

YEAR	FITMENT	GBOOST#	PRICE
1993–2015	Robin twin cylinder 4-stroke motor — 9hp / 11hp		
	COMET Drive Clutch (Model 72C)	219185	\$379.95
1989–1992	2-Cycle and 4-Cycle Models		
	COMET Drive Clutch (Model 72C)	219185	\$379.95
	Driven Clutch	NA	NA
1978–1988	All gas models		
	Drive Clutch	NA	NA
	Driven Clutch	211555	\$229.95

COMET



206094



209739



302405

**COMET NOT RESPONSIBLE FOR TUNING SPECS.*

FITMENT	GBOOST #	PRICE
30mm 1:10 tapered bore smooth cover set for up to 1-1/2" belt with spring / weights — Duster	206094	\$249.95
1" straight shaft with 1/4" keyway – comes w/spring / weights / clutch bolt – no starter pulley – up to 40hp — Duster	206095	\$249.95
1-1/8" straight shaft with 1/4" keyway – comes w/spring/weights/clutch bolt – no starter pulley – up to 40hp — Duster	209739	\$269.95
COMET Model 72C replaces EZ-GO #26952-G01, 26952-G02 — 2-cycle 1989–1993 — 4-cycle 1991–2009	219185	\$379.95
Par Car Driven Clutch – 2000 & up – 7/8" bore – .960" belt	302092	\$230.95
1" straight shaft w/1/4" keyway – comes with spring / weights – no clutch bolt – no starter pulley – Salsbury	302405	\$299.95



continued GOLF CART REPLACEMENT CLUTCHES

YAMAHA



421036



215060



218983



FBT2



FBT1



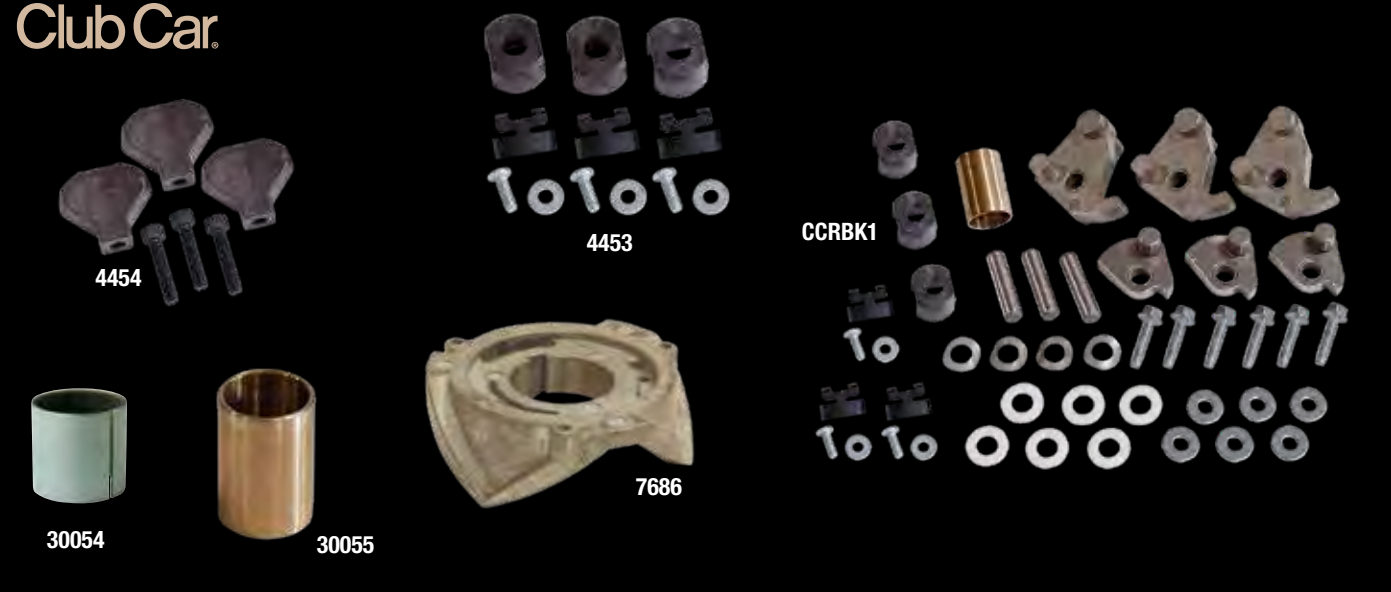
421858

YEAR	FITMENT	GBOOST #	PRICE
2019–2020	UMAX All Models		
	Drive Clutch	UMAXX1	\$374.95
	Driven Clutch	FBT2	\$239.95
2012.5–2020	All Models w/FBT clutches that use J55-G6241 drive belt — OEM		
	Drive Clutch	FBT1	\$384.95
	Driven Clutch	FBT2	\$239.95
2007–2012	All models w/TEAM clutches that use JW1-G6241 drive belt — OEM		
	Drive Clutch	421036	\$249.95
	Driven Clutch	421858	\$249.95
2007–2012	All Models w/updated FBT clutches that use J55-G6241 drive belt — OEM		
	Drive Clutch	FBT1	\$384.95
	Driven Clutch	FBT2	\$239.95
1996–2006	All 4-Stroke Units that use J55-G6241 drive belt		
	Drive Clutch	218983	\$299.95
	Driven Clutch (Includes: fixed sheave, sliding sheave and helix)	FBT5	\$430.00
1984–1995	All 4-Stroke Units that use J55-G6241 drive belt		
	Drive Clutch	218983	\$299.95
	Driven Clutch	NA	NA
All Years	All 2-stroke — Salsbury		
	Drive Clutch	215060	\$349.95
	Driven Clutch	NA	NA

NOTE: For current pricing, see our website.

GOLF CART REPLACEMENT CLUTCH PARTS

Club Car



YEAR	FITMENT	OEM #	GBOOST#	PRICE
1992-2021	9hp / 11hp / 13hp / 14hp — DRIVE CLUTCH — does not fit Salisbury or Team			
	Button Kit	1014453	4453	\$19.95
	Moveable Sheave Bushing Kit	NA	30055	\$24.95
	Rebuild Kit (Includes: 4453, 30055 and 6801)	NA	CCRKB1	\$109.95
1992-2021	9hp / 11hp / 13hp / 14hp — DRIVEN CLUTCH — does not fit Salisbury or Team			
	Button Kit	1014454	4454	\$20.95
	Moveable Sheave Bushing Kit	NA	30054	\$29.95
	Helix	1017686	7686	\$39.95

EZGO



YEAR	FITMENT	GBOOST#	PRICE
2008-2012	13hp — Kawasaki Drive Clutch		
	Pin Kit	PS3	\$19.95
1994-2012	9hp / 11hp — #26952 Drive Clutch		
	Spider Roller Kit	EZRKB1	\$69.95
	Pin Kit	PS1	\$19.95

continued GOLF CART REPLACEMENT CLUTCH PARTS

YAMAHA



YEAR	FITMENT	GBOOST#	PRICE
2007-2012	All Models w/TEAM DRIVE CLUTCH		
	Drive Clutch Bolt — used when replacing TEAM drive clutch with a #218983	YDR320	\$19.95
2007-2012	All Models w/TEAM DRIVEN CLUTCH		
	Offset Bushing — used for replacement clutch #421858	FIX1	\$19.95
1996-2006	DRIVE CLUTCH		
	Button Kit	30058	\$19.95
	Bushings / Seals Kit	30056	\$34.95
	Pin Kit (includes: 3 pins / 3 nuts)	PS2	\$19.95
	Spider Roller Rebuild Kit w/ Pins	YCRK1	\$59.95
	Spider Roller Rebuild Kit w/o Pins	YCRK1R	\$49.95
	Rebuild Kit (includes: 30058, 30056 and YCRK1)	30057	\$119.95



GOLF CART CLUTCH WEIGHTS

- All GBoost clutch weights are made from billet steel, heat treated for strength and plated for durability.

Club Car



6801

YEAR	FITMENT	GBOOST#	PRICE
All Years	All Models w/ fe290 / 350 / 400 gas		
	Drive Clutch Weight Kit	6801	\$69.95

EZGO



WE74

ERW32-42

YEAR	FITMENT	WEIGHT	GBOOST#	PRICE
2021	All Models w/ EX1 Engine			
	3pk roller weight w/housing	10 gram	EX1W10-3	\$45.95
	6pk roller weight w/housing	10 gram	EX1W10-6	\$89.95
	3pk roller weight w/housing	11 gram	EX1W11-3	\$45.95
	6pk roller weight w/housing	11 gram	EX1W11-6	\$89.95
	3pk roller weight w/housing	12 gram	EX1W12-3	\$45.95
	6pk roller weight w/housing	12 gram	EX1W12-6	\$89.95
2012-2021	13hp RXV / TXT / TERRAIN / CUSHMAN w/TEAM clutches			
	3pk roller weight w/housing	32 gram	ERW32-3	\$45.95
	6pk roller weight w/housing	32 gram	ERW32-6	\$89.95
	3pk roller weight w/housing	34 gram	ERW34-3	\$45.95
	6pk roller weight w/housing	34 gram	ERW34-6	\$89.95
	3pk roller weight w/housing	36 gram	ERW36-3	\$45.95
	6pk roller weight w/housing	36 gram	ERW36-6	\$89.95
	3pk roller weight w/housing	40 gram	ERW40-3	\$45.95
	6pk roller weight w/housing	40 gram	ERW40-6	\$89.95
	3pk roller weight w/housing	42 gram	ERW42-3	\$45.95
	6pk roller weight w/housing	42 gram	ERW42-6	\$89.95
1994-2012	All 9 / 11hp 4-stroke / 1991-1998 2-stroke			
	3pk flyweight	74 gram	WE74	\$119.95

continued GOLF CART CLUTCH WEIGHTS

YAMAHA



YRW32-42-3

YW89-91

FBT134

YRW32-42-6

YAWK

YEAR	FITMENT	WEIGHT	GBOOST#	PRICE
2012.5-2021	4-stroke w/FBT clutches			
	3pk of weights	134 gram	FBT134	\$149.95
2007-2012	YDR "The Drive" w/TEAM clutches			
	3pk roller weight w/housing	32 gram	YRW32-3	\$45.95
	6pk roller weight w/housing	32 gram	YRW32-6	\$89.95
	3pk roller weight w/housing	34 gram	YRW34-3	\$45.95
	6pk roller weight w/housing	34 gram	YRW34-6	\$89.95
	3pk roller weight w/housing	36 gram	YRW36-3	\$45.95
	6pk roller weight w/housing	36 gram	YRW36-6	\$89.95
	3pk roller weight w/housing	40 gram	YRW40-3	\$45.95
	6pk roller weight w/housing	40 gram	YRW40-6	\$89.95
	3pk roller weight w/housing	42 gram	YRW42-3	\$45.95
	6pk roller weight w/housing	42 gram	YRW42-6	\$89.95
1996-2006	4-stroke w/heavy-duty fiber bushing			
	3pk flyweight w/bushing	89 gram	YW89	\$119.95
	3pk flyweight w/bushing	91 gram	YW91	\$119.95
1996-2006	OEM Weight Rebuild Kit — fits #218983 drive clutch			
	3 weights / 3 pins / 3 loc nuts	95 gram	YAWK	\$119.95

GOLF CART CLUTCH SPRINGS

All springs are within a 5% tolerance of spec promoting consistency when changing to a different application. Most original equipment manufacturers use up to a 15% tolerance because it is cheaper to build.

- All springs are ISO 9001 certified.
- All springs are high chromium silicone / high tensile strength wire ensuring consistency of rate, poundage, and repeatability.
- All springs color coded for reference only. Color is not representative of any OEM /aftermarket spring.



Available for:



Club Car

1997-2021 DS / PRECEDENT / TURF / CARRYALL — 9hp / 11hp / 13hp / 14hp						
Primary — Drive Springs		COLOR	2-1/2—1-1/4	STYLE	PART #	RETAIL
		Red	50 lbs—90 lbs	Compression	DSCC7	\$24.95
1997-2021 DS / PRECEDENT / TURF / CARRYALL — 9hp / 11hp / 13hp / 14hp — (Clockwise Engine)						
Secondary — Driven Springs		COLOR	2-1/2—1-1/4	STYLE	PART #	RETAIL
		Green	32 lbs—59 lbs	Torsional	DRCC3	\$24.95
		Blue	50 lbs—75 lbs	Torsional	DRCC2	\$24.95
		Dk. Blue	130 lbs—230 lbs	Compression	DRCC7	\$24.95
		Dk. Green	175 lbs—275 lbs	Compression	DRCC8	\$29.95
		Gray	200 lbs—300 lbs	Compression	DRCC17	\$29.95
		Almond	235 lbs—350 lbs	Compression	DRCC12	\$29.95
		Lime Green	235 lbs—380 lbs	Compression	DRCC1	\$29.95
1992-1996 DS / PRECEDENT / TURF / CARRYALL — 9hp / 11hp / 13hp						
Primary — Drive Springs		COLOR	2-1/2—1-1/4	STYLE	PART #	RETAIL
		Red	50 lbs—90 lbs	Compression	DSCC7	\$24.95
1992-1996 DS / PRECEDENT / TURF / CARRYALL — 9hp / 11hp / 13hp (Counter-clockwise Engine)						
Secondary — Driven Springs		COLOR	2-1/2—1-1/4	STYLE	PART #	RETAIL
		Yellow	50 lbs—75 lbs	Torsional	DRCC14	\$24.95
		White	50 lbs—86 lbs	Torsional	DRCC16	\$24.95
		Orange	60 lbs—90 lbs	Torsional	DRCC15	\$24.95
		White	75 lbs—98 lbs	Torsional	DRCC13	\$24.95
		Dk. Blue	130 lbs—230 lbs	Compression	DRCC7	\$24.95
		Dk. Green	175 lbs—275 lbs	Compression	DRCC8	\$29.95
		Gray	200 lbs—300 lbs	Compression	DRCC17	\$29.95
		Almond	235 lbs—350 lbs	Compression	DRCC12	\$29.95
		Lime Green	235 lbs—380 lbs	Compression	DRCC1	\$29.95

continued GOLF CART CLUTCH SPRINGS

Club Car

2008-2021 XRT 1550 / 1500 — w/TEAM Clutches						
Primary — Drive Springs		COLOR	2-1/2—1-1/4	STYLE	PART #	RETAIL
		Green	5 lbs—120 lbs	Compression	DSCC6	\$24.95
		Gold	10 lbs—100 lbs	Compression	DSCC4	\$24.95
		White	75 lbs—155 lbs	Compression	DSCC8	\$24.95
		Orange	75 lbs—185 lbs	Compression	DSCC5	\$24.95
		Almond	80 lbs—175 lbs	Compression	DSCC10	\$24.95
		Yellow	100 lbs—200 lbs	Compression	DSCC9	\$24.95
2008-2021 XRT 1550 / 1500 w/TEAM Clutches						
Secondary — Driven Springs		COLOR	2-1/2—1-1/4	STYLE	PART #	RETAIL
		Yellow	110 lbs—170 lbs	Compression	DRCC10	\$24.95
		Blue	120 lbs—225 lbs	Compression	DRCC6	\$24.95
		Dk. Blue	130 lbs—230 lbs	Compression	DRCC7	\$24.95
		Purple	150 lbs—260 lbs	Compression	DRCC9	\$24.95
		Olive	175 lbs—275 lbs	Compression	DRCC8	\$29.95
		Red	195 lbs—285 lbs	Compression	DRCC4	\$29.95
		Gray	200 lbs—300 lbs	Compression	DRCC17	\$29.95
		Orange	235 lbs—350 lbs	Compression	DRCC11	\$29.95
		Lime Green	235 lbs—380 lbs	Compression	DRCC1	\$29.95

YAMAHA

2017-2021 UMAX – QUIETECH Models w/UMAX drive clutch						
Primary — Drive Springs		COLOR	2-1/2—1-1/4	STYLE	PART #	RETAIL
		Red	18 lbs—30 lbs	Compression	TBA	TBA
		Gold	20 lbs—90 lbs	Compression	TBA	TBA
		White	44 lbs—78 lbs	Compression	TBA	TBA
<i>NOTE: All Primary UMAX Drive Clutch Springs include spring seat for install.</i>						
2017-2021 UMAX – QUIETECH Models						
Secondary — Driven Springs		COLOR	2-1/2—1-1/4	STYLE	PART #	RETAIL
		White	75 lbs—98 lbs	Torsional	DRYA13	\$24.95
		Dk. Blue	130 lbs—230 lbs	Compression	DRYA14	\$24.95
		Purple	150 lbs—260 lbs	Compression	DRYA28	\$24.95
		Green	175 lbs—275 lbs	Compression	DRYA17	\$29.95
		Gray	200 lbs—300 lbs	Compression	DRYA19	\$29.95
		Almond	235 lbs—350 lbs	Compression	DRYA18	\$29.95
		Lime Green	235 lbs—380 lbs	Compression	DRYA21	\$29.95

Contact GBoost for bulk pack discounts

Continued on following page

GOLF CART CLUTCH SPRINGS *continued*



2012.5-2021	All Models w/FBT clutch					
	Secondary — Driven Springs	COLOR	2-1/2—1-1/4	STYLE	PART #	RETAIL
		White	75 lbs—98 lbs	Torsional	DRYA13	\$24.95
		Dk. Blue	130 lbs—230 lbs	Compression	DRYA14	\$24.95
		Purple	150 lbs—260 lbs	Compression	DRYA28	\$24.95
		Green	175 lbs—275 lbs	Compression	DRYA17	\$29.95
		Gray	200 lbs—300 lbs	Compression	DRYA19	\$29.95
		Almond	235 lbs—350 lbs	Compression	DRYA18	\$29.95
		Lime Green	235 lbs—380 lbs	Compression	DRYA21	\$29.95
2007-2012	YDR Models w/updated FBT clutches					
	Secondary — Driven Springs	COLOR	2-1/2—1-1/4	STYLE	PART #	RETAIL
		White	75 lbs—98 lbs	Torsional	DRYA13	\$24.95
		Dk. Blue	130 lbs—230 lbs	Compression	DRYA14	\$24.95
		Purple	150 lbs—260 lbs	Compression	DRYA28	\$24.95
		Green	175 lbs—275 lbs	Compression	DRYA17	\$29.95
		Gray	200 lbs—300 lbs	Compression	DRYA19	\$29.95
		Almond	235 lbs—350 lbs	Compression	DRYA18	\$29.95
		Lime Green	235 lbs—380 lbs	Compression	DRYA21	\$29.95
2007-2012	YDR Models w/TEAM clutches					
	Primary — Drive Springs	COLOR	2-1/2—1-1/4	STYLE	PART #	RETAIL
		Green	4 lbs—115 lbs	Compression	DSYA6	\$24.95
		Gold	15 lbs—80 lbs	Compression	DSYA5	\$24.95
		Red	14 lbs—24 lbs	Compression	DSYA4	\$24.95
		White	44 lbs—78 lbs	Compression	DSYA12	\$24.95
		White	75 lbs—155 lbs	Compression	DSYA2	\$24.95
		Orange	75 lbs—185 lbs	Compression	DSYA11	\$24.95
		Almond	80 lbs—165 lbs	Compression	DSYA8	\$24.95
2007-2012	YDR Models w/TEAM clutches					
	Secondary — Driven Springs	COLOR	2-1/2—1-1/4	STYLE	PART #	RETAIL
		Red	88 lbs—147 lbs	Compression	DRYA1	\$24.95
		Yellow	108 lbs—175 lbs	Compression	DRYA2	\$24.95
		Blue	120 lbs—225 lbs	Compression	DRYA4	\$24.95
		Dk. Blue	130 lbs—230 lbs	Compression	DRYA14	\$24.95
		Purple	150 lbs—260 lbs	Compression	DRYA15	\$24.95
		Green	175 lbs—275 lbs	Compression	DRYA17	\$29.95
		Gray	200 lbs—300 lbs	Compression	DRYA19	\$29.95
		Almond	235 lbs—350 lbs	Compression	DRYA18	\$29.95
		Lime Green	235 lbs—380 lbs	Compression	DRYA21	\$29.95
1996-2006	All 4-Stroke Carts					
	Secondary — Driven Springs	COLOR	2-1/2—1-1/4	STYLE	PART #	RETAIL
		White	75 lbs—155 lbs	Compression	DRYA8	\$24.95
		Almond	80 lbs—165 lbs	Compression	DRYA5	\$24.95
		Yellow	100 lbs—200 lbs	Compression	DRYA16	\$24.95
		Brown	100 lbs—225 lbs	Compression	DRYA11	\$24.95

continued GOLF CART CLUTCH SPRINGS



2021	All Models w/EX1 Engine					
	Secondary — Driven Springs	COLOR	2-1/2—1-1/4	STYLE	PART #	RETAIL
		Maroon	85 lbs—185 lbs	Compression	DREZ3	\$24.95
		Orange	90 lbs—200 lbs	Compression	DREZ15	\$24.95
2007-2021	All Models w/13hp Kawasaki engine (w/Team or Kawasaki clutches)					
	Primary — Drive Springs	COLOR	2-1/2—1-1/4	STYLE	PART #	RETAIL
		Green	5 lbs—120 lbs	Compression	DSEZ4	\$24.95
		Gold	14 lbs—80 lbs	Compression	DSEZ2	\$24.95
		Red	14 lbs—24 lbs	Compression	DSEZ1	\$24.95
		Blue	40 lbs—185 lbs	Compression	DSEZ15	\$24.95
		Yellow	40 lbs—205 lbs	Compression	DSEZ16	\$24.95
		White	44 lbs—78 lbs	Compression	DSEZ11	\$24.95
		Maroon	55 lbs—185 lbs	Compression	DSEZ17	\$24.95
		Gray	55 lbs—205 lbs.	Compression	DSEZ18	\$24.95
		White	75 lbs—155 lbs	Compression	DSEZ8	\$24.95
		Orange	75 lbs—185 lbs	Compression	DSEZ5	\$24.95
		Almond	80 lbs—165 lbs	Compression	DSEZ10	\$24.95
2007-2020	All Models w/13hp Kawasaki engine (w/Team or Kawasaki clutches)					
	Secondary — Driven Springs	COLOR	2-1/2—1-1/4	STYLE	PART #	RETAIL
		Yellow	110 lbs—170 lbs	Compression	DREZ5	\$24.95
		Blue	120 lbs—225 lbs	Compression	DREZ2	\$24.95
		Dk. Blue	130 lbs—230 lbs	Compression	DREZ10	\$24.95
		Purple	150 lbs—260 lbs	Compression	DREZ9	\$24.95
		Green	175 lbs—275 lbs	Compression	DREZ8	\$29.95
		Red	195 lbs—285 lbs	Compression	DREZ6	\$29.95
		Gray	200 lbs—300 lbs	Compression	DREZ13	\$29.95
		Orange	235 lbs—350 lbs	Compression	DREZ7	\$29.95
		Lime Green	235 lbs—380 lbs	Compression	DREZ12	\$29.95
1984-2015	All Models w/Robin Twin 9/11/13hp					
	Primary — Drive Springs	COLOR	2-1/2—1-1/4	STYLE	PART #	RETAIL
		Green	5 lbs—120 lbs	Compression	DSEZ4	\$24.95
		Gold	14 lbs—80 lbs	Compression	DSEZ2	\$24.95
		Red	14 lbs—24 lbs	Compression	DSEZ1	\$24.95
		Blue	40 lbs—185 lbs	Compression	DSEZ15	\$24.95
		Yellow	40 lbs—205 lbs	Compression	DSEZ16	\$24.95
		Maroon	55 lbs—185 lbs	Compression	DSEZ17	\$24.95
		Gray	55 lbs—205 lbs.	Compression	DSEZ18	\$24.95
		White	75 lbs—155 lbs	Compression	DSEZ8	\$24.95
		Orange	75 lbs—185 lbs	Compression	DSEZ5	\$24.95
		Almond	80 lbs—165 lbs	Compression	DSEZ10	\$24.95
1984-2015	All Models w/Robin Twin 9/11/13hp					
	Secondary — Driven Springs	COLOR	2-1/2—1-1/4	STYLE	PART #	RETAIL
		Yellow	50 lbs—75 lbs	Torsional	DREZ1	\$24.95
		White	50 lbs—86 lbs	Torsional	DREZ11	\$24.95
		Orange	60 lbs—90 lbs	Torsional	DREZ4	\$24.95
		Yellow	110 lbs—170 lbs	Compression	DREZ5	\$24.95
		Blue	120 lbs—225 lbs	Compression	DREZ2	\$24.95
		Dk. Blue	130 lbs—230 lbs	Compression	DREZ10	\$24.95
		Purple	150 lbs—260 lbs	Compression	DREZ9	\$24.95
		Green	175 lbs—275 lbs	Compression	DREZ8	\$29.95
		Red	195 lbs—285 lbs	Compression	DREZ6	\$29.95
		Gray	200 lbs—300 lbs	Compression	DREZ13	\$29.95
		Orange	235 lbs—350 lbs	Compression	DREZ7	\$29.95
		Lime Green	235 lbs—380 lbs	Compression	DREZ12	\$29.95

GOLF CART STARTER GENERATORS with pulley

This new starter generator was developed for golf cart units with a high electrical demand because of:

- Added lights
- Stereo equipment
- Added fans
- Electronic add-ons

- 1 Year Warranty.
- Comes with pulley.
- Double-tested for quality control.
- All Gboost Starter Generators are a Heavy Duty upgrade compared to most aftermarket companies.

* Most common cause of starter generator failure is a faulty regulator or battery. Test both components while replacing!



Club Car

YEAR	FITMENT	OEM#	GBOOST#	PRICE
2019–2021	All Models w/14hp Kohler motor — Pedal Start	47559475001	SGCC8	\$299.95
2019–2021	All Models w/14hp Kohler motor — Key Start	47559475002	TBD	TBD
2014–2020	All Models w/14hp Subaru motor	105190101 / 47559475001	SGCC8	\$299.95
1997–2016	fe290 / 350 / 400	1018294-01	SGCC9	\$299.95
1984–1996	fe290 / 350 / 400	1018337-01	SGCC1	\$299.95
All	XRT 1550 / 1500 / CARRYALL 294 w/Honda engine (starter motor only)	1026656-01	STR452	\$159.95

EZGO

YEAR	FITMENT	OEM#	GBOOST#	PRICE
1994–2021	All 4-cycle 9hp / 11hp / 13hp — Heavy-Duty (excludes EX1 engine)	617120 / 660379 / 649711 / 27065G01	SGEZ3	\$299.95
1980–1993	All 2-cycle	16511-G1	SGEZ1	\$299.95

YAMAHA

YEARS	FITMENT	OEM#	GBOOST#	PRICE
1996–2021	G16–G28 / YDR / YFT / YDRE / DR2A / UMAX — double connector	JN6-H1100-04-00	SGYA2	\$299.95
1978–1995	G2–G14 — 2 single connectors	J38-81100-10	SGYA5	\$299.95
1978–1995	G1 & G3 — 2 single connectors	J10-81100-10	SGYA4	\$299.95

BOBCAT/HONDA Engine (starter only)

HP	ENGINE MODEL #'S	OEM#	GBOOST#	PRICE
18HP	GXV610K1 / GXV610R1 / GXV610U1	31200-ZJ4-832 / 31200-ZJ4-831	STR452	\$159.95
20HP	GXV620K1 / GXV620R1 / GXV620U1 / GX620	31200-ZJ4-832 / 31200-ZJ4-831 / 102665601CC	STR452	\$159.95
24HP	GXV670	31200-ZJ4-832 / 31200-ZJ4-831	STR452	\$159.95

GOLF CART VOLTAGE REGULATORS



Club Car

YEAR	FITMENT	OEM#	GBOOST#	PRICE
2014–2021	All Models w/14hp Kohler and 14hp Subaru motor	102803301	VRCC6	\$57.95
2004–2015	PRECEDENT (w/Kawasaki engine) w/3-pin connector	102803301	VRCC6	\$57.95
All Years	DS gas	102711201	VRCC5	\$59.95
1984–1991	341cc	1012422	VRCC0	\$37.95

EZGO

YEAR	FITMENT	OEM#	GBOOST#	PRICE
1994–Current	4-cycle — 9/11/13hp — RXV / TXT / EXPRESS / SHUTTLE / MEDALIST / ST Vehicles / TERRAIN — (excludes EX1 engine)	27739G01	VREZ3	\$57.95
1980–1993	MARATHON 2 & 4-cycle	16530-G1	VREZ0	\$37.95

YAMAHA

YEAR	FITMENT	OEM#	GBOOST#	PRICE
2007–2020	YDR / YTF / DR2 / UMAX Models	JF2-81910-01-00 / JF2-81910-10-00	VRYA7	\$64.95
1991–Current	G8–G22 / G23 / G27 / G28	JF2-81910-01-00 / JF2-81910-10-00	VRYA7	\$64.95
1978–1990	G1 / G2 — gas models	J10-81910-01-00	VRYA0	\$37.95

Contact GBoost for bulk pack discounts

GOLF CART ELECTRIC COMPONENTS

Club Car



CLUB CAR ELECTRIC CARTS ONLY				
YEAR	FITMENT	OEM#	GBOOST#	PRICE
1996 and up	35 Amp Rectifier for 48-volt Powerdrive Electric Charger	1022735-01	REC2735	\$26.95
All Years	DS / PRECEDENT with Advance Motor Only — Speed Sensor	1027049-01	SSCC7049	\$149.95

GOLF CART BRUSH KITS



Club Car

YEAR	FITMENT	OEM#	GBOOST#	PRICE
All Years	Hitachi-brand Starter			
	Brushes Only — 4 pack	101869301	BRKCC1	\$25.95

EZGO

YEAR	FITMENT	OEM#	GBOOST#	PRICE
	4-cycle 9hp / 11hp gas carts			
	Brushes Only — 4 pack	26658G01	BRKEZ1	\$25.95
	4-cycle 9hp / 11hp gas carts			
	Brushes w/Holder	26881G01	BRKEZ2	\$39.95
	4-cycle 9hp / 11hp gas carts			
	End Cap w/Brushes & Holder		BRKEZ3	\$59.95
	2-cycle – 250cc / 400cc			
	End Cap Assembly		BRKEZ4	\$59.95

YAMAHA

YEAR	FITMENT	OEM#	GBOOST#	PRICE
2007–2013	G1–G22 / YDR			
	Starter Brushes Only — 4 pack	JF2-81111-00	BRKYA1	\$25.95
2007–2013	G1–G22 / YDR			
	Starter Brushes with Holder	JF2-81111-00	BRKYA2	\$39.95
2007–2013	G1–G22 / YDR			
	End Cap Assembly	JF2-81111-00	BRKYA3	\$59.95

Contact GBoost for bulk pack discounts

GOLF CART SOLENOIDS



Club Car

YEAR	FITMENT	OEM#	GBOOST#	PRICE
2014–2021	All Models w/14hp Kohler and 14hp Subaru motor	1013609	SSCC1013609	\$29.95
1984 and up	DS / PRECEDENT — gas — 12v	1013609	SSCC1013609	\$29.95

EZGO

YEAR	FITMENT	OEM#	GBOOST#	PRICE
1994–2021	All Gas Models — 14v — (excludes EX1 engine)	27153G01 / 672555 / 612813	SSEZ27153	\$39.95
1979–1994	MARATHON Models — 2 & 4-cycle engines — 12v	16542G1	SSEZ16542	\$40.95

YAMAHA

YEAR	FITMENT	OEM#	GBOOST#	PRICE
2003–Current	G22 – G29 / YDR / YTF / DR2 / UMAX Models — 12v	JW1-H1950-00-00 / JR3-H1950-00-00	SSYAJW1	\$79.95
1990–2002	G8 – G20 — 12v	JF2-H1950-00	SSYAJF2	\$99.95

GOLF CART IGNITION COILS



YAMAHA

YEAR	FITMENT	OEM#	GBOOST#	PRICE
2007–2016	YDRA — Carb Models	JN6-85640-01-00	IGYA8564	\$99.95
2009–2013	YTF1 & 2	JN6-85640-01-00	IGYA8564	\$99.95
All Years	G16–G21, G22, G23, G27, G28	JN6-85640-01-00	IGYA8564	\$99.95

Club Car

YEAR	FITMENT	OEM#	GBOOST#	PRICE
1997 & Up	DS / PRECEDENT w/ Kawasaki Engine	101909201	IGCC9201	\$119.95
1992–1996	DS w/FE290	1016492	IGCC6492	\$79.95

GOLF CART BRAKE SHOES

- Radius ground lining for exact fit.
- Steel material impregnated in brake lining to assist in stopping.
- Asbestos-free.
- Two-part Redux gluing process stabilizes lining to face.
- Designed for Oversize Tires and/or Severe Duty applications.
- Made in the U.S.A.
- **Sold in box of 2 pair (4 shoes).**



Steel material impregnated in brake lining for added stopping power.



Club Car

YEAR	FITMENT	OEM#	GBOOST#	PRICE
1995–2020	ONWARD / DS / PRECEDENT — gas / electric			
	includes 4 Shoes	101823201	BSC8232	\$59.95
2005–2018	XRT 1550 / 1500 / CARRYALL 294			
	Front Pads (includes 2 Pads)	102714001	BPCC4001	\$49.95
	Rear Pads (includes 2 Pads)	102714001	BPCC4001	\$49.95
2005–2007	XRT 1200			
	Front and Rear Shoes (includes 4 Shoes)	102050201	BSC8201	\$59.95

EZGO

YEAR	FITMENT	OEM#	GBOOST#	PRICE
2021	VALOR / FREEDOM w/ EX1 Engine			
	includes 4 Shoes	612412 (T) / 612411 (L)	TBD	TBD
2016–2021	RXV / TXT			
	includes 4 Shoes	612412 (T) / 612411 (L)	TBD	TBD
1997–2015	TXT / RXV / WORKHORSE — gas / electric			
	includes 4 Shoes	70795G01 / 648037	BSE795	\$49.95

Contact GBoost for bulk pack discounts

MADE IN U.S.A.

continued GOLF CART BRAKE SHOES

YAMAHA

YEAR	FITMENT	OEM#	GBOOST#	PRICE
2019–2020	YUM1A / YUM1E			
	Rear Shoes (includes 4 Shoes)	JN9-W2536-11-00	BSYJN9	\$59.95
2019–2020	YUM2A / YUM2E			
	Front Shoes (includes 4 Shoes)	JN9-W2536-11-00	BSYJN9	\$59.95
	Rear Shoes (includes 4 Shoes)	JN9-W2536-11-00	BSYJN9	\$59.95
2017–2021	DR2A / DR2E — All Models			
	Rear Shoes (includes 4 Shoes)	JN9-W2536-00-00 JN9-W2536-11-00	BSYJN9	\$59.95
2010–2018	YTF2			
	Rear Shoes (includes 4 Shoes)	JX4-W2536-00-00	BSYJX4	\$59.95
2015–2018	YDR / YTF1 — gas / electric			
	Rear Shoes (includes 4 Shoes)	JN9-W2536-00-00	BSYJN9	\$59.95
2007–2009	G28			
	Left Side (includes 4 Shoes)	JN6-F5331-01-00	BSYJN6	\$59.95
	Right Side (includes 4 Shoes)	JN6-F5341-01-00	BSYJN6	\$59.95
2007–2009	G27 / G23 / G22			
	Rear Shoes (includes 4 Shoes)	JN6-F5331-01-00	BSYJN6	\$59.95
1993–2006	G14 – G22 — gas / electric			
	Rear Shoes (includes 4 Shoes)	JN6-F5331-01-00	BSYJN6	\$59.95
1982–1992	G1 – G9 — gas / electric			
	Rear Shoes (includes 4 Shoes)	J55-W2536-00-00	BSYJ55	\$59.95

GOLF CART REAR SUSPENSION BUSHING KIT

Club Car

FITMENT	GBOOST#	PRICE
Complete kit for both sides — leaf spring	BSHKCC1	\$59.95



GOLF CART GEAR SETS

- Transform your “drive” golf cart into a personal transport vehicle with GBoost Technology’s 8:1 or 6:1 Ratio Gear Kits.
- Manufactured to OEM specifications.
- Fully heat-treated for severe duty / long life.
- Machined from billet steel.
- Made in the USA.



BRAND	YEAR	FITMENT	GBOOST#	PRICE
Club Car	1997–2012	DS / PRECEDENT — Kawasaki Transaxle — GAS — 6:1 ratio	7850007	\$259.95
Club Car	1997–2012	DS / PRECEDENT — Kawasaki Transaxle — GAS — 8:1 ratio	7850004	\$259.95
Club Car	1997 & newer	DS — Kawasaki Transaxle — ELECTRIC — 6:1 ratio	7850005	\$259.95
Club Car	1997 & newer	DS — Kawasaki Transaxle — ELECTRIC — 8:1 ratio	7850006	\$259.95
Club Car	1988–1996	DS — Kawasaki Transaxle — GAS / ELECTRIC — 6:1 ratio	7850005	\$259.95
Club Car	1988–1996	DS — Kawasaki Transaxle — GAS / ELECTRIC — 8:1 ratio	7850006	\$259.95

Special Note: GBOOST Gear Sets will not fit the Graziano (Type G) Transaxle, Only Kawasaki Transaxle.

continued GOLF CART GEAR SETS



BRAND	YEAR	FITMENT	GBOOST#	PRICE
Yamaha	2017–2020	DRIVE2 QUIETECH — Fleet Units — GAS — High Speed	7850012	\$329.95
Yamaha	2017–2020	DRIVE2 QUIETECH — PTV — GAS — Low Speed Gear (gears down PTV)	7850011	\$600.00
Yamaha	2017–2020	DRIVE2 QUIETECH — FLEET — GAS — Stock Ratio (stock replacement)	7850010	\$99.95
Yamaha	2017–2020	DRIVE2 Solid Axle — GAS — (non-QuieTech units) — 8:1 ratio	7850003	\$259.95
Yamaha	2015–2016	YDR — Schaefer Transaxle — GAS — 8:1 ratio	7850003	\$259.95
Yamaha	2007–2014	YDR — GAS — 8:1 ratio	7850000	\$259.95

Contact GBoost for bulk pack discounts

MADE IN U.S.A. MADE IN U.S.A.

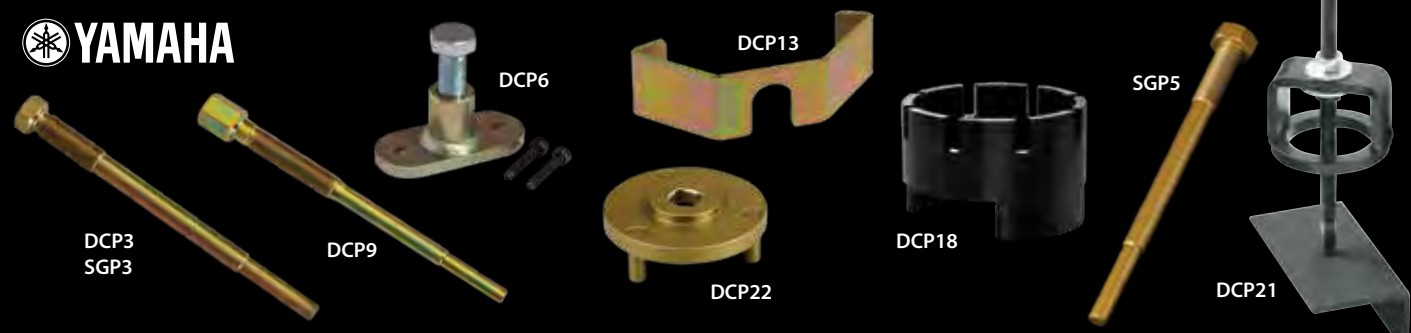
GOLF CART CLUTCH TOOLS

All GBoost pullers start out with annealed, cold-rolled alloy steel. Due to several unique processes, GBoost pullers are superior to any other puller on the market.

- Oil quenched & Tempered.
 - Rockwell hardness between 50–55.
 - Zinc plated to prevent rust and thread deterioration.
 - Machined to exact specifications in Minnesota, USA.
- This results in**
- 31% higher tensile strength.
 - 19% higher yield strength.
 - Stronger than any existing OEM & aftermarket pullers.

- All DCP series drive clutch pullers have a **LIFETIME**, free replacement warranty.
- All SGP series drive clutch pullers have a 5-year, free replacement warranty.

All pullers come packaged with complete application data.



YEAR	FITMENT	GBOOST#	PRICE
2012.5–2020	All Gas Carts w/FBT clutches — includes UMAX		
	Drive Clutch Puller — 5-Year Warranty	SGP3	\$34.95
	Drive Clutch Puller — LIFETIME WARRANTY	DCP3	\$39.95
	Drive / Driven Clutch Compression Tool	DCP21	\$89.95
2007–2012	All Gas Carts w/Updated FBT clutches		
	Drive Clutch Puller — 5-Year Warranty	SGP3	\$34.95
	Drive Clutch Puller — LIFETIME WARRANTY	DCP3	\$39.95
	Drive / Driven Clutch Compression Tool	DCP21	\$89.95
2007–2012	All Gas Carts w/TEAM clutches		
	Drive Clutch Puller — LIFETIME WARRANTY	DCP9	\$39.95
	Drive / Driven Clutch Compression Tool	DCP21	\$89.95
	Drive Clutch Hold Down Fixture	DCP18	\$69.95
	Drive Clutch Spider Removal Tool	DCP16	\$49.95
1979–2006	All 4-Stroke Gas Carts		
	Drive Clutch Puller — 5-Year Warranty	SGP3	\$34.95
	Drive Clutch Puller — LIFETIME WARRANTY	DCP3	\$39.95
	Drive / Driven Clutch Compression Tool	DCP21	\$89.95
	Driven Clutch Off-of-Shaft Puller	DCP6	\$39.95
	Driven Clutch Fixture — holds clutch together for assembly / disassembly	DCP13	\$49.95
	Drive Clutch Spider Removal Tool for #218983 Clutch	DCP22	\$79.95
	YAMAHA Clutch Service Tool Set		
	<i>INCLUDES: DCP3, DCP9, DCP21, DCP18, DCP16, DCP6, DCP13, DCP22</i>	TOOLSET5	\$413.64

BRAND	FITMENT	GBOOST#	PRICE
COMET	Duster Snowmobile Drive Clutch Puller – 206094 / 211493 / 212629 – 5” long – 2-piece	205838	\$42.95
COMET	Duster — Golf Cart Drive Clutch Puller — 4-1/2” long – 1-piece	SGP5	\$39.95

continued GOLF CART CLUTCH TOOLS



YEAR	FITMENT	GBOOST#	PRICE
All Years	9hp / 11hp / 13hp / 14hp — except XRT 1550 / 1500 / 950 / 900		
	Drive Clutch Puller — 5-Year Warranty	SGP1	\$34.95
	Drive Clutch Puller — LIFETIME WARRANTY	DCP1	\$39.95
	Drive Clutch Center Unit Removal Tool	DCP8	\$29.95
	Drive / Driven Clutch Compression Tool	DCP21	\$89.95
	OEM Drive Clutch Bushing Replacement Tool	DCP17	\$39.95
All Years	XRT 1550 / 1500 — models 295 / 294 — All 4x4 w/TEAM clutches		
	Drive Clutch Puller — 5-Year Warranty	SGP10	\$34.95
	Drive Clutch Puller — LIFETIME WARRANTY	DCP10	\$39.95
	Drive / Driven Clutch Compression Tool	DCP21	\$89.95
	CLUB CAR Clutch Service Tool Set		
	<i>INCLUDES: DCP1, DCP10, DCP8, DCP21, DCP17</i>	TOOLSET3	\$215.78



YEAR	FITMENT	GBOOST#	PRICE
2021	FREEDOM RXV / TXT / VALOR w/EX1 engine		
	Drive / Driven Clutch Compression Tool	DCP21	\$89.95
2012.5–2021	All 13hp w/TEAM clutches		
	Drive / Driven Clutch Puller — 5-Year Warranty	SGP4	\$34.95
	Drive / Driven Clutch Puller — LIFETIME WARRANTY	DCP4	\$39.95
	Drive Clutch Hold Down Fixture	DCP18	\$69.95
	Spider Removal Tool	DCP16	\$49.95
	Drive / Driven Clutch Compression Tool	DCP21	\$89.95
2008–2012	All 13hp w/Kawasaki Clutches		
	Drive / Driven Clutch Puller — 5-Year Warranty	SGP4	\$34.95
	Drive / Driven Clutch Puller — LIFETIME WARRANTY	DCP4	\$39.95
	Drive / Driven Clutch Compression Tool	DCP21	\$89.95
1989–2017	All 9hp / 11hp / 16hp		
	Drive Clutch Puller — 5-Year Warranty	SGP2	\$34.95
	Drive Clutch Puller — LIFETIME WARRANTY	DCP2	\$39.95
	Drive / Driven Clutch Compression Tool	DCP21	\$89.95
1989 & newer	2-stroke		
	Drive Clutch Puller — 5-Year Warranty	SGP2	\$34.95
	Drive Clutch Puller — LIFETIME WARRANTY	DCP2	\$39.95
	Drive / Driven Clutch Compression Tool	DCP21	\$89.95
1988 & older	2-stroke		
	Drive Clutch Puller — 5-Year Warranty	SGP7	\$34.95
	Drive Clutch Puller — LIFETIME WARRANTY	DCP7	\$39.95
	Drive / Driven Clutch Compression Tool	DCP21	\$89.95
	EZ-GO Clutch Service Tool Set		
	<i>INCLUDES: DCP4, DCP2, DCP7, DCP18, DCP16, DCP21</i>	TOOLSET4	\$332.73

POWERSPORTS

featuring drive belts, clutch calibration kits, tools & much more for **UTVs, ATVs, Snowmobiles & Scooters.**

UTV CLUTCH CALIBRATION KITS	
Polaris, Can-Am, Textron	39-59
ATV/UTV DRIVE BELTS	
Polaris, Textron, Can-Am, Kawasaki, Yamaha, CF-Moto, KYMCO, John Deere	60-77
SNOWMOBILE DRIVE BELTS	
Polaris, Ski-Doo, Yamaha, Arctic Cat	78-87
UTV/ATV INFRARED BELT TEMPERATURE GAUGE	
All Brands	87
ATV/UTV/SNOWMOBILE OEM TO GBOOST DRIVE BELT INTERCHANGE CHART	88-89
SCOOTER BELTS	
Honda, Suzuki, Kymco, Yamaha, miscellaneous	90-93
UTV DRIVE AND DRIVEN CLUTCHES	
Polaris	94-96
RHINO ROLLERS	
Polaris, Can-Am	97
UTV HELIX	
Polaris, Can-Am	98-99
ATV/UTV DRIVE AND DRIVEN CLUTCH SPRINGS	
Polaris, Can-Am, Textron, Kawasaki	100-104
DRIVE CLUTCH ONE-WAY BEARINGS	
Can-Am	105
UTV CLUTCH WEDGE WEIGHTS	
Polaris, Can-Am, Textron, Kawasaki	106-109
Bushings / Bearings	110-111
UTV BRAKE PADS	
Polaris, Can-Am, Textron, Yamaha	112-119
ATV/UTV CLUTCH TOOLS	
Polaris, Can-Am, Kawasaki, Yamaha, Textron, Bad Boy, Comet	120-123
GBOOST APPAREL	
T-Shirts & Caps	124
DRIVE BELT FAILURE CHART	126

UTV CLUTCH CALIBRATION KITS



GBOOST CLUTCH CALIBRATION KITS are designed specifically for your riding style. Whether you're into TRAIL RIDING, SAND DUNE/DESERT RIDING, or MUD BOG RIDING, you'll find a **GBOOST CLUTCH CALIBRATION KIT** that's perfect for your needs.

That being said, we build our **GBOOST TRAIL RIDING CLUTCH CALIBRATION KITS** to cover 90% of the market as an All-Terrain Kit. If you are looking for a kit to improve your *overall* riding experience for all types of riding, look no further.

Trail Riding, Sand Dunes, and Mud Bog **Stage 1** Calibration Kits include Premium GBoost Drive Belt, Drive Spring, Driven Spring, Bushed-style Clutch Weights, Instructions and Decal. **Stage 2** Kits also include a Helix. Our **Stage 3** Kits include all the components of the Stage 1 and Stage 2 Kits plus a Severe-Duty Driven Clutch. Also, be sure to check out our specialty line of Gear Reduction Clutch Calibration Kits for the rapidly expanding Mud Market.

Kits available for:

POLARIS *can-am* **TEXTRON** **Kawasaki**

UTV Clutch Kits
UTV Drive Belts
UTV Starter Belts
UTV Clutches/Parts
UTV Clutch Weights
UTV Clutch Springs
UTV Electrical
UTV Brake Shoes
UTV Gear Sets
UTV Clutch Tools
UTV Clutch Kits
UTV/ATV Drive Belts
Snowmobile Drive Belts
Scooter Belts
UTV Clutches
UTV Helix
UTV/ATV Clutch Springs
UTV Wedge Weights
UTV Clutch Rollers/Bearings
UTV/ATV Brake Pads
UTV/ATV Tools
GBOOST Apparel

UTV CLUTCH CALIBRATION KITS *continued*

Trail Riding

We build our Trail Riding Kits to cover 90% of the market as an All-Terrain Kit.

- Designed for units with standard or oversize tires.
- Eliminates harsh engagement of clutches.
- Eliminates belt slippage.
- Provides better backshift / downshift.
- Increases bottom-end torque, and increases low-end smoothness / driveability.



Sand Dune

- Helps increase and maintain wheel / tire speed in soft sand.
- Designed for units with standard or oversize tires.
- Eliminates harsh engagement of clutches.
- Eliminates belt slippage.
- Provides better backshift / downshift.
- Increases bottom-end torque and increases low-end smoothness / driveability.



Mud Bog

- Helps increase and maintain wheel / tire speed in mud.
- Designed for units with standard or oversize tires.
- Eliminates harsh engagement of clutches.
- Eliminates belt slippage.
- Provides better backshift / downshift.
- Increases bottom-end torque and low-end smoothness / driveability.



Mud Bog with Gear Reduction

- Helps increase and maintain wheel / tire speed in mud.
- Designed for units with standard or oversize tires.
- Eliminates harsh engagement of clutches.
- Eliminates belt slippage.
- Provides better backshift / downshift.
- Increases bottom-end torque and low-end smoothness / driveability.



Stage 3 Clutch Kits

For the customer looking for the most efficient clutch package.

Includes:

- Drive Clutch Weights and Springs.
- Severe-Duty Driven Clutch, Helix and Spring.
- Upgraded GBoost Drive Belt.
- This kit is calibrated with our Severe-Duty Driven Clutch as an upgrade to replace your worn out secondary clutch. At the same time upgrading your drive clutch components to increase bottom-end torque, low-end smoothness and drivability.



UTV CLUTCH CALIBRATION KITS continued



YEAR	FITMENT	STYLE	STOCK TIRES	ELEVATION	31"-32" TIRES	31"-32" ELEVATION	33"-35" TIRES	36"-40" TIRES	PRICE
2021	RZR PRO XP	Trail	CKSDP0180	CKSDP0181	CKSDP0182	CKSDP0183	CKSDP0184	NA	TBA
		Sand Dune	SDP0180	SDP0181	SDP0182	SDP0183	SDP0184	NA	TBA
		Mud Bog	NA	NA	MBP0182	NA	MBP0184	MBP0185	TBA
		Gear Reduction Mud Bog	NA	NA	MBGRP0182	NA	MBGRP0184	MBGRP0185	TBA
2021	RZR PRO XP-4	Trail	CKSDP0180C	CKSDP0181C	CKSDP0182C	CKSDP0183C	CKSDP0184C	NA	TBA
		Sand Dune	SDP0180C	SDP0181C	SDP0182C	SDP0183C	SDP0184C	NA	TBA
		Mud Bog	NA	NA	MBP0182C	NA	MBP0184C	MBP0185C	TBA
		Gear Reduction Mud Bog	NA	NA	MBGRP0182C	NA	MBGRP0184C	MBGRP0185C	TBA
2020	RZR PRO XP	Trail	CKSDP0172	CKSDP0173	CKSDP0174	CKSDP0175	CKSDP0176	NA	\$499.95
		Sand Dune	SDP0172	SDP0173	SDP0174	SDP0175	SDP0176	NA	\$499.95
		Mud Bog	NA	NA	MBP0174	NA	MBP0176	MBP0177	\$499.95
		Gear Reduction Mud Bog	NA	NA	MBGRP0174	NA	MBGRP0176	MBGRP0177	\$499.95
2020	RZR PRO XP-4	Trail	CKSDP0172C	CKSDP0173C	CKSDP0174C	CKSDP0175C	CKSDP0176C	NA	\$499.95
		Sand Dune	SDP0172C	SDP0173C	SDP0174C	SDP0175C	SDP0176C	NA	\$499.95
		Mud Bog	NA	NA	MBP0174C	NA	MBP0176C	MBP0177C	\$499.95
		Gear Reduction Mud Bog	NA	NA	MBGRP0174C	NA	MBGRP0176C	MBGRP0177C	\$499.95



All 2020 Pro Clutch Kits come with Drive Clutch Spring, Weights, Driven Clutch Spring, Helix and GBoost 1202 Series Drive Belt.

YEAR	FITMENT	STYLE	STOCK TIRES	ELEVATION	33"-35" TIRES	33"-35" ELEVATION	36"-40" TIRES	STAGE 1	STAGE 2 w/Helix
2021	RZR XP TURBO S	Trail	CKSDP0901	CKSDP0902	CKSDP0903	CKSDP0904	NA	TBA	TBA
		Sand Dune	SDP0901	SDP0902	SDP0903	SDP0904	NA	TBA	TBA
		Mud Bog	NA	NA	MBP0903	NA	MBP0905	TBA	TBA
		Gear Reduction Mud Bog	NA	NA	MBGRP0903	NA	MBGRP0905	TBA	TBA
2021	RZR XP TURBO S 4 (Crew)	Trail	CKSDP0901C	CKSDP0902C	CKSDP0903C	CKSDP0904C	NA	TBA	TBA
		Sand Dune	SDP0901C	SDP0902C	SDP0903C	SDP0904C	NA	TBA	TBA
		Mud Bog	NA	NA	MBP0903C	NA	MBP0905C	TBA	TBA
		Gear Reduction Mud Bog	NA	NA	MBGRP0903C	NA	MBGRP0905C	TBA	TBA

UTV CLUTCH CALIBRATION KITS continued



YEAR	FITMENT	STYLE	STOCK TIRES	ELEVATION	33"-35" TIRES	33"-35" ELEVATION	36"-40" TIRES	STAGE 1	STAGE 2 w/Helix		
2018-2020	RZR XP TURBO S										
		Trail	CKSDP0800	CKSDP0801	CKSDP0802	CKSDP0803	NA	\$324.95	\$449.95		
		Sand Dune	SDP0800	SDP0801	SDP0802	SDP0803	NA	\$324.95	\$449.95		
		Mud Bog	NA	NA	MBP0802	NA	MBP0804	\$324.95	\$449.95		
		Gear Reduction Mud Bog	NA	NA	MBGRP0802	NA	MBGRP0804	\$324.95	\$449.95		
2019-2020	RZR XP-4 TURBO S (Crew)										
		Trail	CKSDP0800C	CKSDP0801C	CKSDP0802C	CKSDP0803C	NA	\$324.95	\$449.95		
		Sand Dune	SDP0800C	SDP0801C	SDP0802C	SDP0803C	NA	\$324.95	\$449.95		
		Mud Bog	NA	NA	MBP0802C	NA	MBP0804C	\$324.95	\$449.95		
		Gear Reduction Mud Bog	NA	NA	MBGRP0802C	NA	MBGRP0804C	\$324.95	\$449.95		
YEAR	FITMENT	STYLE	STOCK TIRES	ELEVATION	30"-32" TIRES	30"-32" ELEVATION	33"-35" TIRES	36"-40" TIRES	STAGE 1	STAGE 2 w/Helix	
2021	RZR XP TURBO										
		Trail	CKSDP0601	CKSDP0602	CKSDP0603	CKSDP0604	CKSDP0605	NA	TBA	TBA	
		Sand Dune	SDP0601	SDP0602	SDP0603	SDP0604	SDP0605	NA	TBA	TBA	
		Mud Bog	NA	NA	MBP0603	NA	MBP0605	MBP0606	TBA	TBA	
		Gear Reduction Mud Bog	NA	NA	MBGRP0603	NA	MBGRP0605	MBGRP0606	TBA	TBA	
2021	RZR XP TURBO 4 (Crew)										
		Trail	CKSDP0601C	CKSDP0602C	CKSDP0603C	CKSDP0604C	CKSDP0605C	NA	TBA	TBA	
		Sand Dune	SDP0601C	SDP0602C	SDP0603C	SDP0604C	SDP0605C	NA	TBA	TBA	
		Mud Bog	NA	NA	MBP0603C	NA	MBP0605C	MBP0606C	TBA	TBA	
		Gear Reduction Mud Bog	NA	NA	MBGRP0603C	NA	MBGRP0605C	MBGRP0606C	TBA	TBA	
YEAR	FITMENT	STYLE	STOCK TIRES	ELEVATION	30"-32" TIRES	30"-32" ELEVATION	33"-35" TIRES	36"-40" TIRES	STAGE 1	STAGE 2 w/Helix	STAGE 3 w/Severe-Duty Driven
2017-2020	RZR XP TURBO										
		Trail	CKSDP0700	CKSDP0701	CKSDP0702	CKSDP0703	CKSDP0704	NA	\$324.95	\$449.95	NA
		Sand Dune	SDP0700	SDP0701	SDP0702	SDP0703	SDP0704	NA	\$324.95	\$449.95	NA
		Mud Bog	NA	NA	MBP0702	NA	MBP0704	MBP0705	\$324.95	\$449.95	NA
		Gear Reduction Mud Bog	NA	NA	MBGRP0702	NA	MBGRP0704	MBGRP0705	\$324.95	\$449.95	NA
2018-2020	RZR XP-4 TURBO (Crew)										
		Trail	CKSDP0700C	CKSDP0701C	CKSDP0702C	CKSDP0703C	CKSDP0704C	NA	\$324.95	\$449.95	NA
		Sand Dune	SDP0700C	SDP0701C	SDP0702C	SDP0703C	SDP0704C	NA	\$324.95	\$449.95	NA
		Mud Bog	NA	NA	MBP0702C	NA	MBP0704C	MBP0705C	\$324.95	\$449.95	NA
		Gear Reduction Mud Bog	NA	NA	MBGRP0702C	NA	MBGRP0704C	MBGRP0705C	\$324.95	\$449.95	NA
2017	RZR XP-4 TURBO (Crew)										
		Trail	CKSDP0120C	CKSDP0121C	CKSDP0122C	CKSDP0123C	CKSDP0124C	NA	\$324.95	\$449.95	NA
		Sand Dune	SDP0120C	SDP0121C	SDP0122C	SDP0123C	SDP0140C	NA	\$324.95	\$449.95	NA
		Mud Bog	NA	NA	MBP0122C	NA	MBP0124C	MBP0125C	\$324.95	\$449.95	NA
		Gear Reduction Mud Bog	NA	NA	MBGRP0122C	NA	MBGRP0124C	MBGRP0125C	\$324.95	\$449.95	NA
2016	RZR XP TURBO										
		Trail	CKSDP060	CKSDP061	CKSDP062	CKSDP063	CKSDP0500	NA	\$324.95	NA	NA
		Sand Dune	SDP060	SDP061	SDP062	SDP063	SDP0500	NA	\$324.95	NA	NA
		Mud Bog	NA	NA	MBP062	NA	MBP064	MBP065	\$324.95	NA	NA
		Gear Reduction Mud Bog	NA	NA	MBGRP062	NA	MBGRP064	MBGRP065	\$324.95	NA	NA

UTV CLUTCH CALIBRATION KITS continued



YEAR	FITMENT	STYLE	STOCK TIRES	ELEVATION	30"-32" TIRES	30"-32" ELEVATION	33"-35" TIRES	36"-40" TIRES	STAGE 1	STAGE 2 w/Helix	STAGE 3 w/Severe-Duty Driven
2016	RZR XP-4 TURBO (Crew)										
		Trail	CKSDP060C	CKSDP061C	CKSDP062C	CKSDP063C	CKSDP0500C	NA	\$324.95	NA	NA
		Sand Dune	SDP060C	SDP061C	SDP062C	SDP063C	SDP0500C	NA	\$324.95	NA	NA
		Mud Bog	NA	NA	MBP062C	NA	MBP064C	MBP065C	\$324.95	NA	NA
	Gear Reduction Mud Bog	NA	NA	MBGRP062C	NA	MBGRP064C	MBGRP065C	\$324.95	NA	NA	
2018-2020	RZR RS1										
		Trail	CKSDP0250	CKSDP0251	CKSDP0252	CKSDP0253	CKSDP0254	NA	\$324.95	\$449.95	NA
		Sand Dune	SDP0250	SDP0251	SDP0252	SDP0253	SDP0254	NA	\$324.95	\$449.95	NA
		Mud Bog	NA	NA	MBP0252	NA	MBP0254	MBP0255	\$324.95	\$449.95	NA
	Gear Reduction Mud Bog	NA	NA	MBGRP0252	NA	MBGRP0254	MBGRP0255	\$324.95	\$449.95	NA	
2016-2021	RZR XP 1000										
		Trail	CKSDP044	CKSDP045	CKSDP046	CKSDP047	CKSDP0260	NA	\$324.95	\$449.95	\$829.95
		Sand Dune	SDP044	SDP045	SDP046	SDP047	SDP0260	NA	\$324.95	\$449.95	\$829.95
		Mud Bog	NA	NA	MBP046	NA	MBP048	MBP049	\$324.95	\$449.95	\$829.95
	Gear Reduction Mud Bog	NA	NA	MBGRP046	NA	MBGRP048	MBGRP049	\$324.95	\$449.95	\$829.95	
2016-2021	RZR XP-4 1000 (Crew)										
		Trail	CKSDP044C	CKSDP045C	CKSDP046C	CKSDP047C	CKSDP0260C	NA	\$324.95	\$449.95	\$829.95
		Sand Dune	SDP044C	SDP045C	SDP046C	SDP047C	SDP0260C	NA	\$324.95	\$449.95	\$829.95
		Mud Bog	NA	NA	MBP046C	NA	MBP048C	MBP049C	\$324.95	\$449.95	\$829.95
	Gear Reduction Mud Bog	NA	NA	MBGRP046C	NA	MBGRP048C	MBGRP049C	\$324.95	\$449.95	\$829.95	
2014-2015	RZR XP 1000										
		Trail	CKSDP070	CKSDP071	CKSDP072	CKSDP073	CKSDP074	NA	\$324.95	\$449.95	\$749.95
		Sand Dune	SDP070	SDP071	SDP072	SDP073	SDP0265	NA	\$324.95	\$449.95	\$749.95
		Mud Bog	NA	NA	MBP072	NA	MBP074	MBP075	\$324.95	\$449.95	\$749.95
	Gear Reduction Mud Bog	NA	NA	MBGRP072	NA	MBGRP074	MBGRP075	\$324.95	\$449.95	\$749.95	
2014-2015	RZR XP-4 1000 (Crew)										
		Trail	CKSDP070C	CKSDP071C	CKSDP072C	CKSDP073C	CKSDP074C	NA	\$324.95	\$449.95	\$749.95
		Sand Dune	SDP070C	SDP071C	SDP072C	SDP073C	SDP0265C	NA	\$324.95	\$449.95	\$749.95
		Mud Bog	NA	NA	MBP072C	NA	MBP074C	MBP075C	\$324.95	\$449.95	\$749.95
	Gear Reduction Mud Bog	NA	NA	MBGRP072C	NA	MBGRP074C	MBGRP075C	\$324.95	\$449.95	\$749.95	
2016-2021	RZR XP 1000 — High Lifter Edition										
		Trail	HLT44	HLT45	HLT46	HLT47	HLT48	NA	\$324.95	\$449.95	\$829.95
		Mud Bog	HLMB44	NA	HLMB46	NA	HLMB48	HLMB49	\$324.95	\$449.95	\$829.95
	Gear Reduction Mud Bog	HLMBGR44	NA	HLMBGR46	NA	HLMBGR48	HLMBGR49	\$324.95	\$449.95	\$829.95	
2016-2020	RZR XP-4 1000 (Crew) — High Lifter Edition										
		Trail	HLT44C	HLT45C	HLT46C	HLT47C	HLT48C	NA	\$324.95	\$449.95	\$829.95
		Mud Bog	HLMB44C	NA	HLMB46C	NA	HLMB48C	HLMB49C	\$324.95	\$449.95	\$829.95
	Gear Reduction Mud Bog	HLMBGR44C	NA	HLMBGR46C	NA	HLMBGR48C	HLMBGR49C	\$324.95	\$449.95	\$829.95	
2015	RZR XP 1000 — High Lifter Edition										
		Trail	HLT70	HLT71	HLT72	HLT73	HLT74	NA	\$324.95	\$449.95	\$749.95
		Mud Bog	HLMB70	NA	HLMB72	NA	HLMB74	HLMB75	\$324.95	\$449.95	\$749.95
	Gear Reduction Mud Bog	HLMBGR70	NA	HLMBGR72	NA	HLMBGR74	HLMBGR75	\$324.95	\$449.95	\$749.95	

UTV CLUTCH CALIBRATION KITS continued



YEAR	FITMENT	STYLE	STOCK TIRES	ELEVATION	30"-32" TIRES	30"-32" ELEVATION	33"-35" TIRES	36"-40" TIRES	STAGE 1	STAGE 2 w/Helix	STAGE 3 w/Severe-Duty Driven
2016-2021	RZR S 1000 (includes TRAIL "S" model)										
		Trail	CKSDP064	CKSDP065	CKSDP066	CKSDP067	NA	NA	\$324.95	\$449.95	\$829.95
		Sand Dune	SDP064	SDP065	SDP066	SDP067	SDP0270	NA	\$324.95	\$449.95	\$829.95
		Mud Bog	NA	NA	MBP066	NA	MBP0270	MBP069	\$324.95	\$449.95	\$829.95
	Gear Reduction Mud Bog	NA	NA	MBGRP066	NA	MBGRP0270	MBGRP069	\$324.95	\$449.95	\$829.95	
2019	RZR 1000 S4 (Crew)										
		Trail	CKSDP064C	CKSDP065C	CKSDP066C	CKSDP067C	NA	NA	\$324.95	\$449.95	\$829.95
		Sand Dune	SDP064C	SDP065C	SDP066C	SDP067C	SDP0270C	NA	\$324.95	\$449.95	\$829.95
		Mud Bog	NA	NA	MBP066C	NA	MBP068C	MBP069C	\$324.95	\$449.95	\$829.95
	Gear Reduction Mud Bog	NA	NA	MBGRP066C	NA	MBGRP068C	MBGRP069C	\$324.95	\$449.95	\$829.95	
2016-2020	RZR S 900 w/EBS										
		Trail	CKSDP036	CKSDP037	CKSDP054	CKSDP027	NA	NA	\$324.95	\$449.95	\$829.95
		Sand Dune	SDP036	SDP037	SDP054	SDP027	NA	NA	\$324.95	\$449.95	\$829.95
		Mud Bog	NA	NA	MBP054	NA	MBP028	MBP029	\$324.95	\$449.95	\$829.95
	Gear Reduction Mud Bog	NA	NA	MBGRP054	NA	MBGRP028	MBGRP029	\$324.95	\$449.95	\$829.95	
2015	RZR S 900 non-EBS										
		Trail	CKSDP094	CKSDP095	CKSDP086	CKSDP087	NA	NA	\$324.95	NA	\$749.95
		Mud Bog	NA	NA	MBP086	NA	MBP085	MBP089	\$324.95	NA	\$749.95
	Gear Reduction Mud Bog	NA	NA	MBGRP086	NA	MBGRP085	MBGRP089	\$324.95	NA	\$749.95	
2016-2020	RZR 900 TRAIL w/EBS (50")										
		Trail	CKSDP048	CKSDP049	CKSDP068	CKSDP069	NA	NA	\$324.95	\$449.95	\$829.95
		Mud Bog	NA	NA	MBP068	NA	MBP070	MBP071	\$324.95	\$449.95	\$829.95
	Gear Reduction Mud Bog	NA	NA	MBGRP068	NA	MBGRP070	MBGRP071	\$324.95	\$449.95	\$829.95	
2016-2017	RZR 900 TRAIL non-EBS										
		Trail	CKSDP0153	CKSDP0154	CKSDP0155	CKSDP0156	NA	NA	\$324.95	NA	\$829.95
		Mud Bog	NA	NA	MBP0155	NA	MBP0157	MBP0158	\$324.95	NA	\$829.95
	Gear Reduction Mud Bog	NA	NA	MBGRP0155	NA	MBGRP0157	MBGRP0158	\$324.95	NA	\$829.95	
2015	RZR 900 TRAIL w/EBS										
		Trail	CKSDP0136	CKSDP0137	CKSDP0138	CKSDP0139	NA	NA	\$324.95	\$449.95	\$749.95
		Mud Bog	NA	NA	MBP0138	NA	MBP0140	MBP0144	\$324.95	\$449.95	\$749.95
	Gear Reduction Mud Bog	NA	NA	MBGRP0138	NA	MBGRP0140	MBGRP0144	\$324.95	\$449.95	\$749.95	
2015	RZR 900 TRAIL non-EBS										
		Trail	CKSDP078	CKSDP079	CKSDP088	CKSDP089	NA	NA	\$324.95	NA	\$749.95
		Mud Bog	NA	NA	MBP088	NA	MBP091	MBP092	\$324.95	NA	\$749.95
	Gear Reduction Mud Bog	NA	NA	MBGRP090	NA	MBGRP091	MBGRP092	\$324.95	NA	\$749.95	

UTV CLUTCH CALIBRATION KITS *continued*



YEAR	FITMENT	STYLE	STOCK TIRES	ELEVATION	30"-32" TIRES	30"-32" ELEVATION	33"-35" TIRES	36"-40" TIRES	STAGE 1	STAGE 2 w/Helix	STAGE 3 w/Severe-Duty Driven
2016-2018	RZR S 900 CREW w/EBS										
		Trail	CKSDP036C	CKSDP037C	CKSDP054C	CKSDP027C	NA	NA	\$324.95	\$449.95	\$829.95
		Sand Dune	SDP036C	SDP037C	SDP054C	SDP027C	NA	NA	\$324.95	\$449.95	\$829.95
		Mud Bog	NA	NA	MBP054C	NA	MBP028C	MBP029C	\$324.95	\$449.95	\$829.95
		Gear Reduction Mud Bog	NA	NA	MBGRP054C	NA	MBGRP028C	MBGRP029C	\$324.95	\$449.95	\$829.95
2015	RZR S 900 CREW non-EBS										
		Trail	CKSDP094C	CKSDP095C	CKSDP086C	CKSDP087C	NA	NA	\$324.95	NA	\$749.95
		Mud Bog	NA	NA	MBP086C	NA	MBP088C	NA	\$324.95	NA	\$749.95
		Gear Reduction Mud Bog	NA	NA	MBGRP086C	NA	MBGRP088C	MBGRP089C	\$324.95	NA	\$749.95
2013-2014	RZR XP 900										
		Trail	CKSDP0128	CKSDP0129	CKSDP0130	CKSDP0131	NA	NA	\$324.95	\$449.95	\$749.95
		Sand Dune	SDP0128	SDP0129	SDP0130	SDP0131	NA	NA	\$324.95	\$449.95	\$749.95
		Mud Bog	NA	NA	MBP0130	NA	MBP0132	MBP0133	\$324.95	\$449.95	\$749.95
		Gear Reduction Mud Bog	NA	NA	MBGRP0130	NA	MBGRP0132	MBGRP0133	\$324.95	\$449.95	\$749.95
2013-2014	RZR XP-4 900 (Crew)										
		Trail	CKSDP0128C	CKSDP0129C	CKSDP0130C	CKSDP0131C	NA	NA	\$324.95	\$449.95	\$749.95
		Sand Dune	SDP0128C	SDP0129C	SDP0130C	SDP0131C	NA	NA	\$324.95	\$449.95	\$749.95
		Mud Bog	NA	NA	MBP0130C	NA	MBP0132C	MBP0133C	\$324.95	\$449.95	\$749.95
		Gear Reduction Mud Bog	NA	NA	MBGRP0130C	NA	MBGRP0132C	MBGRP0133C	\$324.95	\$449.95	\$749.95
2017	RZR S 570										
		Trail	CKSDP0160	CKSDP0161	CKSDP0162	CKSDP0163	NA	NA	\$324.95	NA	\$749.95
2015-2021	RZR 570 w/EBS										
		Trail	CKSDP0170	CKSDP0171	CKSDP0236	CKSDP0237	NA	NA	\$324.95	\$449.95	\$749.95
2015-2021	RZR 570 non-EBS										
		Trail	CKSDP0132	CKSDP0133	CKSDP0134	CKSDP0135	NA	NA	\$324.95	NA	\$749.95
YEAR	FITMENT	STYLE	STOCK TIRES	ELEVATION	33"-35" TIRES	33"-35" ELEVATION	36"-40" TIRES	STAGE 1	STAGE 2 w/Helix	STAGE 3 w/Severe-Duty Driven	
2020-2021	GENERAL 1000 XP										
		Trail	CKSDP0146	CKSDP0147	CKSDP0148	CKSDP0149	NA	\$324.95	\$449.95	\$829.95	
		Sand Dune	SDP0146	SDP0147	SDP0148	SDP0149	NA	\$324.95	\$449.95	\$829.95	
		Mud Bog	NA	NA	MBP0148	NA	MBP0150	\$324.95	\$449.95	\$829.95	
		Gear Reduction Mud Bog	NA	NA	MBGRP0148	NA	MBGRP0150	\$324.95	\$449.95	\$829.95	
2020-2021	GENERAL 1000 XP-4 (Crew)										
		Trail	CKSDP0146C	CKSDP0147C	CKSDP0148C	CKSDP0149C	NA	\$324.95	\$449.95	\$829.95	
		Sand Dune	SDP0146C	SDP0147C	SDP0148C	SDP0149C	NA	\$324.95	\$449.95	\$829.95	
		Mud Bog	NA	NA	MBP0149C	NA	MBP0151C	\$324.95	\$449.95	\$829.95	
		Gear Reduction Mud Bog	NA	NA	MBGRP0148C	NA	MBGRP0149C	\$324.95	\$449.95	\$829.95	

UTV CLUTCH CALIBRATION KITS continued



YEAR	FITMENT	STYLE	STOCK TIRES	ELEVATION	30"-32" TIRES	30"-32" ELEVATION	33"-35" TIRES	36"-40" TIRES	STAGE 1	STAGE 2 w/Helix	STAGE 3 w/Severe-Duty Driven	
2019-2021	GENERAL 1000											
		Trail	CKSDP0400	CKSDP0401	CKSDP0402		CKSDP0403	NA	NA	\$324.95	\$449.95	\$829.95
		Sand Dune	SDP0400	SDP0401	SDP0402		SDP0403	NA	NA	\$324.95	\$449.95	\$829.95
		Mud Bog	NA	NA	MBP0402		NA	MBP0404	MBP0405	\$324.95	\$449.95	\$829.95
		Gear Reduction Mud Bog	NA	NA	MBGRP0402		NA	MBGRP0404	MBGRP0405	\$324.95	\$449.95	\$829.95
2019-2021	GENERAL-4 1000 (Crew)											
		Trail	CKSDP0142C	CKSDP0143C	CKSDP0144C		CKSDP0145C	NA	NA	\$324.95	\$449.95	\$829.95
		Sand Dune	SDP0142C	SDP0143C	SDP0144C		SDP0145C	NA	NA	\$324.95	\$449.95	\$829.95
		Mud Bog	NA	NA	MBP0147C		NA	MBP0148C	MBP0150C	\$324.95	\$449.95	\$829.95
		Gear Reduction Mud Bog	NA	NA	MBGRP0127C		NA	MBGRP0128C	MBGRP0150C	\$324.95	\$449.95	\$829.95
2016-2018	GENERAL 1000											
		Trail	CKSDP06	CKSDP07	CKSDP08		CKSDP09	NA	NA	\$324.95	\$449.95	\$829.95
		Sand Dune	SDP06	SDP07	SDP08		SDP09	NA	NA	\$324.95	\$449.95	\$829.95
		Mud Bog	NA	NA	MBP010		NA	MBP012	MBP013	\$324.95	\$449.95	\$829.95
		Gear Reduction Mud Bog	NA	NA	MBGRP010		NA	MBGRP012	MBGRP013	\$324.95	\$449.95	\$829.95
2017-2018	GENERAL-4 1000 (Crew)											
		Trail	CKSDP06C	CKSDP07C	CKSDP08C		CKSDP09C	NA	NA	\$324.95	\$449.95	\$829.95
		Sand Dune	SDP06C	SDP07C	SDP08C		SDP09C	NA	NA	\$324.95	\$449.95	\$829.95
		Mud Bog	NA	NA	MBP010C		NA	MBP012C	MBP013C	\$324.95	\$449.95	\$829.95
		Gear Reduction Mud Bog	NA	NA	MBGRP010C		NA	MBGRP012C	MBGRP013C	\$324.95	\$449.95	\$829.95
2021	RANGER XP 1000 (P90X Clutches)											
		Trail	CKSDP0106	CKSDP0107	CKSDP0108		CKSDP0109	NA	NA	TBA	TBA	NA
		Mud Bog	NA	NA	MBP0108		NA	MBP0109	MBP0110	TBA	TBA	NA
		Gear Reduction Mud Bog	NA	NA	MBGRP0108		NA	MBGRP0109	MBGRP0110	TBA	TBA	NA
2021	RANGER XP 1000 CREW (P90X Clutches)											
		Trail	CKSDP0106C	CKSDP0107C	CKSDP0108C		CKSDP0109C	NA	NA	TBA	TBA	NA
		Mud Bog	NA	NA	MBP0108C		NA	MBP0109C	MBP0110C	TBA	TBA	NA
		Gear Reduction Mud Bog	NA	NA	MBGRP0108C		NA	MBGRP0109C	MBGRP0110C	TBA	TBA	NA
2018-2020	RANGER XP 1000 (P90X Clutches)											
		Trail	CKSDP0100	CKSDP0101	CKSDP0102		CKSDP0103	NA	NA	TBA	TBA	NA
		Mud Bog	NA	NA	MBP0102		NA	MBP0104	MBP0105	TBA	TBA	NA
		Gear Reduction Mud Bog	NA	NA	MBGRP0102		NA	MBGRP0104	MBGRP0105	TBA	TBA	NA
2019-2020	RANGER XP 1000 CREW (P90X Clutches)											
		Trail	CKSDP0100C	CKSDP0101C	CKSDP0102C		CKSDP0103C	NA	NA	TBA	TBA	NA
		Mud Bog	NA	NA	MBP0102C		NA	MBP0104C	MBP0105C	TBA	TBA	NA
		Gear Reduction Mud Bog	NA	NA	MBGRP0102C		NA	MBGRP0104C	MBGRP0105C	TBA	TBA	NA
2020-2021	RANGER 1000 SOHC (P190XNEBS Clutches)											
		Trail	CKSDP0200	CKSDP0201	CKSDP0202		CKSDP0203	NA	NA	TBA	TBA	NA
		Mud Bog	NA	NA	MBP0202		NA	MBP0204	MBP0205	TBA	TBA	NA
		Gear Reduction Mud Bog	NA	NA	MBGRP0202		NA	MBGRP0204	MBGRP0205	TBA	TBA	NA

UTV CLUTCH CALIBRATION KITS continued



YEAR	FITMENT	STYLE	STOCK TIRES	ELEVATION	30"-32" TIRES	30"-32" ELEVATION	33"-35" TIRES	36"-40" TIRES	STAGE 1	STAGE 2 w/Helix	STAGE 3 w/Severe-Duty Driven
2020-2021	RANGER 1000 CREW SOHC (P190XNEBS Clutches)										
		Trail	CKSDP0200C	CKSDP0201C	CKSDP0202C	CKSDP0203C	NA	NA	TBA	TBA	NA
		Mud Bog	NA	NA	MBP0202C	NA	MBP0204C	MBP0205C	TBA	TBA	NA
		Gear Reduction Mud Bog	NA	NA	MBGRP0202C	NA	MBGRP0204C	MBGRP0205C	TBA	TBA	NA
2017	RANGER XP 1000										
		Trail	CKSDP01	CKSDP02	CKSDP03	CKSDP04	NA	NA	\$324.95	\$449.95	\$829.95
		Mud Bog	NA	NA	MBP05	NA	MBP06	MBP07	\$324.95	\$449.95	\$829.95
		Gear Reduction Mud Bog	NA	NA	MBGRP05	NA	MBGRP06	MBGRP07	\$324.95	\$449.95	\$829.95
2017-2018	RANGER XP 1000 CREW										
		Trail	CKSDP01C	CKSDP02C	CKSDP03C	CKSDP04C	NA	NA	\$324.95	\$449.95	\$829.95
		Mud Bog	NA	NA	MBP05C	NA	MBP06C	MBP07C	\$324.95	\$449.95	\$829.95
		Gear Reduction Mud Bog	NA	NA	MBGRP05C	NA	MBGRP06C	MBGRP07C	\$324.95	\$449.95	\$829.95
2021	RANGER XP 1000 — High Lifter Edition (P90X Clutches)										
		Trail	HLT14	HLT15	HLT16	HLT17	NA	NA	TBA	TBA	NA
		Mud Bog	HLMB16	NA	HLMB17	NA	HLMB18	HLMB19	TBA	TBA	NA
		Gear Reduction Mud Bog	HLMBGR16	NA	HLMBGR17	NA	HLMBGR18	HLMBGR19	TBA	TBA	NA
2019-2020	RANGER XP 1000 — High Lifter Edition (P90X Clutches)										
		Trail	HLT10	HLT11	HLT12	HLT13	NA	NA	TBA	TBA	NA
		Mud Bog	HLMB10	NA	HLMB12	NA	HLMB14	HLMB15	TBA	TBA	NA
		Gear Reduction Mud Bog	HLMBGR10	NA	HLMBGR12	NA	HLMBGR14	HLMBGR15	TBA	TBA	NA
2019-2020	RANGER XP 1000 CREW — High Lifter Edition (P90X Clutches)										
		Trail	HLT10C	HLT11C	HLT12C	HLT13C	NA	NA	TBA	TBA	NA
		Mud Bog	HLMB10C	NA	HLMB12C	NA	HLMB14C	HLMB15C	TBA	TBA	NA
		Gear Reduction Mud Bog	HLMBGR10C	NA	HLMBGR12C	NA	HLMBGR14C	HLMBGR15C	TBA	TBA	NA
2017-2018	RANGER XP 1000 — High Lifter Edition										
		Trail	HLT1	HLT2	HLT3	HLT4	NA	NA	\$324.95	\$449.95	\$829.95
		Mud Bog	HLMB1	NA	HLMB3	NA	HLMB5	HLMB6	\$324.95	\$449.95	\$829.95
		Gear Reduction Mud Bog	HLMBGR1	NA	HLMBGR3	NA	HLMBGR5	HLMBGR6	\$324.95	\$449.95	\$829.95
2017-2018	RANGER XP 1000 CREW — High Lifter Edition										
		Trail	HLT1C	HLT2C	HLT3C	HLT4C	NA	NA	\$324.95	\$449.95	\$829.95
		Mud Bog	HLMB1C	NA	HLMB3C	NA	HLMB5C	HLMB6C	\$324.95	\$449.95	\$829.95
		Gear Reduction Mud Bog	HLMBGR1C	NA	HLMBGR3C	NA	HLMBGR5C	HLMBGR6C	\$324.95	\$449.95	\$829.95
2016	RANGER XP 900 — High Lifter Edition										
		Trail	HLT116	HLT117	HLT118	HLT19	NA	NA	\$324.95	NA	\$749.95
		Mud Bog	HLMB116	NA	HLMB118	NA	HLMB120	HLMB121	\$324.95	NA	\$749.95
		Gear Reduction Mud Bog	HLMBGR116	NA	HLMBGR118	NA	HLMBGR120	HLMBGR121	\$324.95	NA	\$749.95
2015-2019	RANGER XP 900 non-EBS										
		Trail	CKSDP030	CKSDP031	CKSDP033	CKSDP034	NA	NA	\$324.95	NA	\$749.95
		Mud Bog	NA	NA	MBP033	NA	MBP035	MBP036	\$324.95	NA	\$749.95
		Gear Reduction Mud Bog	NA	NA	MBGRP033	NA	MBGRP035	MBGRP036	\$324.95	NA	\$749.95
2015-2016	RANGER XP 900 w/EBS										
		Trail	CKSDP0116	CKSDP0117	CKSDP0118	CKSDP0119	NA	NA	\$324.95	\$449.95	\$749.95
		Mud Bog	NA	NA	MBP0118	NA	MBP0120	MBP0121	\$324.95	\$449.95	\$749.95
		Gear Reduction Mud Bog	NA	NA	MBGRP0118	NA	MBGRP0120	MBGRP0121	\$324.95	\$449.95	\$749.95

UTV CLUTCH CALIBRATION KITS continued



YEAR	FITMENT	STYLE	STOCK TIRES	ELEVATION	30"-32" TIRES	30"-32" ELEVATION	33"-35" TIRES	36"-40" TIRES	STAGE 1	STAGE 2 w/Helix	STAGE 3 w/Severe-Duty Driven
2016-2019	RANGER XP 900 Crew										
		Trail	CKSDP030C	CKSDP031C	CKSDP033C	CKSDP034C	NA	NA	\$324.95	NA	\$749.95
		Mud Bog	NA	NA	MBP033C	NA	MBP035C	MBP036C	\$324.95	NA	\$749.95
		Gear Reduction Mud Bog	NA	NA	MBGRP033C	NA	MBGRP035C	MBGRP036C	\$324.95	NA	\$749.95
2014	RANGER XP 900 w/EBS										
		Trail	CKSDP018	CKSDP0143	CKSDP019	CKSDP0144	NA	NA	\$324.95	\$449.95	\$749.95
		Mud Bog	NA	NA	MBP019	NA	MBP0145	MBP0146	\$324.95	\$449.95	\$749.95
		Gear Reduction Mud Bog	NA	NA	MBGRP019	NA	MBGRP0145	MBGRP0146	\$324.95	\$449.95	\$749.95
2014	RANGER XP 900 non-EBS										
		Trail	CKSDP020	CKSDP021	CKSDP022	CKSDP023	NA	NA	\$324.95	NA	\$749.95
		Mud Bog	NA	NA	MBP022	NA	MBP024	MBP025	\$324.95	NA	\$749.95
		Gear Reduction Mud Bog	NA	NA	MBGRP022	NA	MBGRP024	MBGRP025	\$324.95	NA	\$749.95
2014-2015	RANGER XP 900 Crew										
		Trail	CKSDP020C	CKSDP021C	CKSDP022C	CKSDP023C	NA	NA	\$324.95	NA	\$749.95
		Mud Bog	NA	NA	MBP022C	NA	MBP024C	MBP025C	\$324.95	NA	\$749.95
		Gear Reduction Mud Bog	NA	NA	MBGRP022C	NA	MBGRP024C	MBGRP025C	\$324.95	NA	\$749.95
2013	RANGER XP 900 non-EBS										
		Trail	CKSDP010	CKSDP011	CKSDP013	CKSDP014	NA	NA	\$324.95	NA	\$749.95
		Mud Bog	NA	NA	MBP014	NA	MBP015	MBP016	\$324.95	NA	\$749.95
		Gear Reduction Mud Bog	NA	NA	MBGRP014	NA	MBGRP015	MBGRP016	\$324.95	NA	\$749.95
2015-2021	RANGER 570 Full-Size non-EBS										
		Trail	CKSDP0230	CKSDP0231	CKSDP0232	CKSDP0233	NA	NA	\$324.95	NA	\$749.95
2017-2021	RANGER 570 CREW Full-Size non-EBS										
		Trail	CKSDP0230C	CKSDP0231C	CKSDP0232C	CKSDP0233C	NA	NA	\$324.95	NA	\$749.95
2015-2021	RANGER 570 Mid-Size non-EBS										
		Trail	CKSDP040	CKSDP041	CKSDP042	CKSDP043	NA	NA	\$324.95	NA	\$749.95
2015-2018	RANGER 570 Mid-Size w/EBS										
		Trail	CKSDP0192	CKSDP0193	CKSDP0194	CKSDP0195	NA	NA	\$324.95	\$449.95	\$749.95
2015-2021	RANGER 570 CREW Mid-Size non-EBS										
		Trail	CKSDP040C	CKSDP041C	CKSDP042C	CKSDP043C	NA	NA	\$324.95	NA	\$749.95



2018-2021 WILDCAT XX All Models							
STYLE	STOCK TIRES	ELEVATION	30"-32" TIRES	30"-32" ELEVATION	33"-35" TIRES	36"-40" TIRES	PRICE
Trail	TRTX001	TRTX002	TRTX003	TRTX004	NA	NA	\$324.95
Sand Dune	SDTX001	SDTX002	SDTX003	SDTX004	SDTX005	NA	\$324.95
Mud Bog	NA	NA	MBTX003	NA	MBTX005	MBTX006	\$324.95
Gear Reduction Mud Bog	NA	NA	MBGRTX003	NA	MBGRTX005	MBGRTX006	\$324.95

UTV CLUTCH CALIBRATION KITS continued

can-am

STYLE	UP TO 29" TIRES	ELEVATION	30"-32" TIRES	30"-32" ELEVATION	33"-35" TIRES	33"-35" ELEVATION	36"-40" TIRES	PRICE
2020-2021 X3 195hp								
Trail	TRCA30	TRCA31	TRCA32	TRCA33	TRCA34	TRCA35	NA	\$499.95
Sand Dune	SDCA30	SDCA31	SDCA32	SDCA33	SDCA34	SDCA35	NA	\$499.95
Mud Bog	NA	NA	MBCA32	NA	MBCA34	NA	MBCA35	\$499.95
Gear Reduction Mud Bog	NA	NA	MBGRCA32	NA	MBGRCA34	NA	MBGRCA35	\$499.95

NOTE: 2020-2021 X3 / MAX 195hp Kits include: 6 weights, drive spring, driven spring, secondary Helix and NO drive belt.

2020-2021 X3 MAX 195hp								
Trail	TRCA30M	TRCA31M	TRCA32M	TRCA33M	TRCA34M	TRCA35M	NA	\$499.95
Sand Dune	SDCA30M	SDCA31M	SDCA32M	SDCA33M	SDCA34M	SDCA35M	NA	\$499.95
Mud Bog	NA	NA	MBCA32M	NA	MBCA34M	NA	MBCA35M	\$499.95
Gear Reduction Mud Bog	NA	NA	MBGRCA32M	NA	MBGRCA34M	NA	MBGRCA35M	\$499.95

2018-2021 X3 172hp								
Trail	TRCA09	TRCA10	TRCA11	TRCA12	TRCA13	TRCA15	NA	\$449.95
Sand Dune	SDCA09	SDCA10	SDCA11	SDCA12	SDCA13	SDCA15	NA	\$449.95
Mud Bog	NA	NA	MBCA11	NA	MBCA13	NA	MBCA14	\$449.95
Gear Reduction Mud Bog	NA	NA	MBGRCA11	NA	MBGRCA13	NA	MBGRCA14	\$449.95

2018-2021 X3 MAX 172hp								
Trail	TRCA09M	TRCA10M	TRCA11M	TRCA12M	TRCA13M	TRCA15M	NA	\$449.95
Sand Dune	SDCA09M	SDCA10M	SDCA11M	SDCA12M	SDCA13M	SDCA15M	NA	\$449.95
Mud Bog	NA	NA	MBCA11M	NA	MBCA13M	NA	MBCA14M	\$449.95
Gear Reduction Mud Bog	NA	NA	MBGRCA11M	NA	MBGRCA13M	NA	MBGRCA14M	\$449.95

2017 X3 154hp								
Trail	TRCA01	TRCA02	TRCA03	TRCA04	TRCA05	TRCA06	NA	\$449.95
Sand Dune	SDCA01	SDCA02	SDCA03	SDCA04	SDCA05	SDCA06	NA	\$449.95
Mud Bog	NA	NA	MBCA03	NA	MBCA05	NA	MBCA06	\$449.95
Gear Reduction Mud Bog	NA	NA	MBGRCA03	NA	MBGRCA05	NA	MBGRCA06	\$449.95

2017 X3 MAX 154hp								
Trail	TRCA01M	TRCA02M	TRCA03M	TRCA04M	TRCA05M	TRCA06M	NA	\$449.95
Sand Dune	SDCA01M	SDCA02M	SDCA03M	SDCA04M	SDCA05M	SDCA06M	NA	\$449.95
Mud Bog	NA	NA	MBCA03M	NA	MBCA05M	NA	MBCA06M	\$449.95
Gear Reduction Mud Bog	NA	NA	MBGRCA03M	NA	MBGRCA05M	NA	MBGRCA06M	\$449.95

2018-2021 X3 120hp								
Trail	TRCA20	TRCA21	TRCA22	TRCA23	TRCA24	TRCA25	NA	\$449.95
Sand Dune	SDCA20	SDCA21	SDCA22	SDCA23	SDCA24	SDCA25	NA	\$449.95
Mud Bog	NA	NA	MBCA22	NA	MBCA24	NA	MBCA25	\$449.95
Gear Reduction Mud Bog	NA	NA	MBGRCA22	NA	MBGRCA24	NA	MBGRCA25	\$449.95

2018-2021 X3 MAX 120hp								
Trail	TRCA20M	TRCA21M	TRCA22M	TRCA23M	TRCA24M	TRCA25M	NA	\$449.95
Sand Dune	SDCA20M	SDCA21M	SDCA22M	SDCA23M	SDCA24M	SDCA25M	NA	\$449.95
Mud Bog	NA	NA	MBCA22M	NA	MBCA24M	NA	MBCA25M	\$449.95
Gear Reduction Mud Bog	NA	NA	MBGRCA22M	NA	MBGRCA24M	NA	MBGRCA25M	\$449.95

can-am

STYLE	UP TO 29" TIRES	ELEVATION	30"-32" TIRES	30"-32" ELEVATION	33"-35" TIRES	33"-35" ELEVATION	36"-40" TIRES	PRICE
2019-2021 MAVERICK SPORT 1000 100hp								
Trail	TRCA40	TRCA41	TRCA42	TRCA43	NA	NA	NA	\$224.95
2020-2021 MAVERICK SPORT 1000 MAX 100hp								
Trail	TRCA40M	TRCA41M	TRCA42M	TRCA43M	NA	NA	NA	\$224.95

NOTE: Maverick Sport Kits DO NOT include weights.





THE WORLD'S BEST BELT™

Features and Benefits that will set the **NEW STANDARD!**

1. Manufacturing, quality control certifications — ISO-14001, ISO-9001, and IATF-16949.
2. 3rd Generation heavy-duty, high-twist Kevlar Cord for HIGH HORSEPOWER TENSILE LOAD requirements, making it the strongest belt on the market, surpassing even our Sand Storm and Bad Ass lines.
3. Highest shock load rating to date being able to withstand the power of 400hp machines.
4. Increased top cog pressure load design that increases sidewall rigidity, prevents top cog bowing, but still allows for increased rotational flexibility.
5. Bottom cog uses HIGH MODULOUS RUBBER COMPOUND (BZX1) for better heat resistance and heat dissipation.
6. Bottom cog is impregnated with short Kevlar Cord for better belt-to-sheave adhesion and reduced overall belt temperature.
7. Latest bottom cog design for greater rotational efficiency at full shift.
8. Precision ground sidewall angle (SCUFFING) for smooth engagement, increased power transfer and lower operating belt temperature.
9. Kevlar Cord, versus polyester, wraps over bottom cogs increasing bottom cog strength.
10. Increased cord pop-out resistance.

Built for the rider/racer who is looking for the latest in technology and proven performance.

Designed by Glenn Erlandson in conjunction with the world's largest drive belt company engineering staff.

The SAND STORM belt is built for the extreme heat, dirt and dust of the dunes/desert, but has also been a great option for the guys looking for extremely smooth engagement.

- Next Generation high-twist Kevlar Cord for HIGH HORSEPOWER TENSILE LOAD requirements.
- Bottom cog is impregnated with short Kevlar Cord for better belt-to-sheave adhesion and reduced overall belt temperature.
- Latest bottom cog design for greater rotational efficiency at full shift.
- Encapsulated Kevlar Cord to increase rotational strength and lower overall cord friction.
- Precision ground sidewall angle (SCUFFING) for smooth engagement, increased power transfer and lower operating belt temperature.
- Kevlar Cord versus polyester, wraps over bottom cogs for increased bottom cog strength.
- Increased cord pop-out resistance.
- Increased top cog pressure load design that increases sidewall rigidity, prevents top cog bowing, but still allows for increased rotational flexibility.
- Our goal for this belt was to handle 200-400hp.



This belt is built specifically for the straight mud rider that needs a ton of belt squeeze to stop the belt from slipping. The specific compounds in this belt make it instantly grab when the clutching and tune are correct.

Note: This blend of compounds and thickness will build more heat at higher speeds, so we recommend keeping it under 35mph.

- Higher strength compared to OEM and aftermarket drive belts.
- Mud Monster belts have been developed with the 2nd Generation compound called DUMAX 2 for added strength, flexibility, and heat resistance.
- You can squeeze this belt a lot harder for more tuning possibilities and less slippage.
- Maximum under-cord stiffness allows belt flex for rotational efficiency and cooler running temperatures.
- Built thicker when possible for more belt-to-sheave adhesion.
- Built for extreme abuse, and excessive shock load.
- Handles higher temps than OEM
- Built with Aramid fiber cord to eliminate stretching like a polyester cord.
- Made in the USA!



This belt is built for the extreme abuse of the trail / mud riders that need a ton of belt squeeze to stop from slipping the belt. The specific compounds in this belt make it instantly grab when the clutching and tune are correct.

- Ultra-strong Aramid Fiber cord that can handle/carry more than 10,000 pounds of tension without stretching or breaking.
- Higher strength compared to OEM and aftermarket drive belts.
- **BAD ASS (EX)** belts have been developed with a high-temperature compound called DUMAX for added strength, flexibility, and heat resistance. You can squeeze our belts a lot harder for more tuning possibilities and less slippage.
- Maximum under-cord stiffness allows the belt to flex for rotational efficiency and running cooler temperatures.
- Built for high temps, extreme abuse, and excessive shock load.



- Comparable to OEM or just above for cord strength construction and quality.
- Higher temperature compound which means it can handle a bit more heat!
- The **SD** and **Drive Belt Warehouse** belt lines are based on the price point market.

THE LATEST AND GREATEST TECHNOLOGY IS BUILT INTO ALL OF OUR BELTS!

Available for:

POLARIS **can-am** **TEXTRON** **Kawasaki**
YAMAHA **CFMOTO** **KYMCO** **JOHN DEERE**

UTV/ATV DRIVE BELTS *continued*



YEAR	FITMENT	OEM	GBOOST #	PRICE
2020-2021	RZR PRO XP / PRO XP-4			
	World's Best <i>Racing Series</i>	3211202	WBB1202RS	\$224.95
	World's Best	3211202	WBB1202	\$179.95
	Sand Storm	3211202	DBPO1202B	\$159.95
	Mud Monster	3211202	MMPO1202	\$159.95
	Bad Ass	3211202	DBPO1202EX	\$139.95
2021	RZR TURBO Models w/P90X clutches			
	World's Best <i>Racing Series</i>	3211202	WBB1202RS	\$224.95
	World's Best	3211202	WBB1202	\$179.95
	Sand Storm	3211202	DBPO1202B	\$159.95
	Mud Monster	3211202	MMPO1202	\$159.95
	Bad Ass	3211202	DBPO1202EX	\$139.95
2017-2020	RZR XP TURBO / S / XPT-4 / S (CREW) All Models			
	World's Best <i>Racing Series</i>	3211202	WBB1202RS	\$224.95
	World's Best	3211202	WBB1202	\$179.95
	Sand Storm	3211202	DBPO1202B	\$159.95
	Mud Monster	3211202	MMPO1202	\$159.95
	Bad Ass	3211202	DBPO1202EX	\$139.95
2016-2020	RZR XP TURBO / S / XPT-4 / S (CREW) All Models except RZR PRO			
	World's Best <i>Racing Series</i>	3211186	WBB1186RS	\$199.95
	World's Best	3211186	WBB1186	\$159.95
	Sand Storm	3211186	DBPO1186B	\$139.95
	Mud Monster	3211186	MMPO1186	\$159.95
	Bad Ass	3211186	DBPO1186EX	\$119.95
2018-2020	RS1			
	World's Best <i>Racing Series</i>	3211186	WBB1186RS	\$199.95
	World's Best	3211186	WBB1186	\$159.95
	Sand Storm	3211186	DBPO1186B	\$139.95
	Mud Monster	3211186	MMPO1186	\$159.95
	Bad Ass	3211186	DBPO1186EX	\$119.95
2014-2021	RZR 1000 XP / XP-4 (CREW)			
	World's Best <i>Racing Series</i>	3211180 / 3211148	WBB1148RS	\$199.95
	World's Best	3211180 / 3211148	WBB1148	\$159.95
	Sand Storm	3211180 / 3211148	DBPO1148B	\$139.95
	Mud Monster	3211180 / 3211148	MMPO1148	\$139.95
	Bad Ass	3211180 / 3211148	DBPO1148EX	\$119.95
	Bad Ass (for STM Wide Belt Conversion Primary Clutch)	NA	DBAC047EX	\$119.95
	Drive Belt Warehouse	3211180 / 3211148	DBWH1148	\$99.95
2016-2021	RZR 1000 S			
	World's Best <i>Racing Series</i>	3211180 / 3211148 / 3211196	WBB1148RS	\$199.95
	World's Best	3211180 / 3211148 / 3211196	WBB1148	\$159.95
	Sand Storm	3211180 / 3211148 / 3211196	DBPO1148B	\$139.95
	Mud Monster	3211180 / 3211148 / 3211196	MMPO1148	\$139.95
	Bad Ass	3211180 / 3211148 / 3211196	DBPO1148EX	\$119.95
	Bad Ass (for STM Wide Belt Conversion Primary Clutch)	NA	DBAC047EX	\$119.95
	Drive Belt Warehouse	3211180 / 3211148 / 3211196	DBWH1148	\$99.95

continued UTV/ATV DRIVE BELTS



YEAR	FITMENT	OEM	GBOOST #	PRICE
2011-2021	RZR 900 All Models			
	World's Best <i>Racing Series</i>	3211172 / 3211148 / 3211142	WBB1148RS	\$199.95
	World's Best	3211172 / 3211148 / 3211142	WBB1148	\$159.95
	Sand Storm	3211172 / 3211148 / 3211142	DBPO1148B	\$139.95
	Mud Monster	3211172 / 3211148 / 3211142	MMPO1148	\$139.95
	Bad Ass	3211172 / 3211148 / 3211142	DBPO1148EX	\$119.95
	Drive Belt Warehouse	3211172 / 3211148 / 3211142	DBWH1148	\$99.95
2010-2014	RZR 800 S / RZR 4 800 (CREW)			
	Sand Storm	3211162 / 3211133 / 3211106	DBPO1162B	\$139.95
	Bad Ass	3211162 / 3211133 / 3211106	DBPO1162EX	\$119.95
	Drive Belt Warehouse	3211162 / 3211133 / 3211106	DBWH1162	\$99.95
2008-2014	RZR 800 EFI (excludes "S" / CREW models)			
	Sand Storm	3211113	DBPO1113B	\$139.95
	Bad Ass	3211113	DBPO1113EX	\$119.95
	Drive Belt Warehouse	3211113	DBWH1113	\$99.95
2012-2020	RZR 570 All Models			
	Sand Storm	3211206 / 3211169 / 3211143	DBPO1143B	\$139.95
	Bad Ass	3211206 / 3211169 / 3211143	DBPO1143EX	\$119.95
	Drive Belt Warehouse	3211206 / 3211169 / 3211143	DBWH1143	\$99.95
2016-2021	GENERAL / GENERAL 4			
	World's Best <i>Racing Series</i>	3211180 / 3211196	WBB1148RS	\$199.95
	World's Best	3211180 / 3211196	WBB1148	\$159.95
	Sand Storm	3211180 / 3211196	DBPO1148B	\$139.95
	Mud Monster	3211180 / 3211196	MMPO1148	\$139.95
	Bad Ass	3211180 / 3211196	DBPO1148EX	\$119.95
	Drive Belt Warehouse	3211180 / 3211196	DBWH1148	\$99.95
2018-2021	RANGER 1000 XP (P90X clutch)			
	World's Best <i>Racing Series</i>	3211186	WBB1186RS	\$199.95
	World's Best	3211186	WBB1186	\$159.95
	Sand Storm	3211186	DBPO1186B	\$139.95
	Mud Monster	3211186	MMPO1186	\$159.95
	Bad Ass	3211186	DBPO1186EX	\$119.95
2017	RANGER 1000 XP			
	World's Best <i>Racing Series</i>	3211172 / 3211148 / 3211142 / 3211196	WBB1148RS	\$199.95
	World's Best	3211172 / 3211148 / 3211142 / 3211196	WBB1148	\$159.95
	Sand Storm	3211172 / 3211148 / 3211142 / 3211196	DBPO1148B	\$139.95
	Mud Monster	3211172 / 3211148 / 3211142 / 3211196	MMPO1148	\$139.95
	Bad Ass	3211172 / 3211148 / 3211142 / 3211196	DBPO1148EX	\$119.95
	Drive Belt Warehouse	3211172 / 3211148 / 3211142 / 3211196	DBWH1148	\$99.95

continued on following page

UTV/ATV DRIVE BELTS *continued*



YEAR	FITMENT	OEM	GBOOST #	PRICE
2019-2021	RANGER 1000 XP CREW (P90X clutch)			
	World's Best <i>Racing Series</i>	3211186	WBB1186RS	\$199.95
	World's Best	3211186	WBB1186	\$159.95
	Sand Storm	3211186	DBP01186B	\$139.95
	Mud Monster	3211186	MMP01186	\$159.95
	Bad Ass	3211186	DBP01186EX	\$119.95
2017-2018	RANGER 1000 XP CREW			
	World's Best <i>Racing Series</i>	3211172 / 3211148 / 3211142 / 3211196	WBB1148RS	\$199.95
	World's Best	3211172 / 3211148 / 3211142 / 3211196	WBB1148	\$159.95
	Sand Storm	3211172 / 3211148 / 3211142 / 3211196	DBP01148B	\$139.95
	Mud Monster	3211172 / 3211148 / 3211142 / 3211196	MMP01148	\$139.95
	Bad Ass	3211172 / 3211148 / 3211142 / 3211196	DBP01148EX	\$119.95
	Drive Belt Warehouse	3211172 / 3211148 / 3211142 / 3211196	DBWH1148	\$99.95
2013-2019	RANGER 900 XP / XP CREW			
	World's Best	3211149	WBB1148	\$159.95
	Sand Storm	3211149	DBP01148B	\$139.95
	Mud Monster	3211149	MMP01148	\$139.95
	Bad Ass	3211149	DBP01148EX	\$119.95
	Drive Belt Warehouse	3211149	DBWH1148	\$99.95
2020-2021	RANGER 1000 (SOHC engine)			
	Mud Monster	3211218	MMP01218	\$139.95
	Bad Ass	3211218	DBP01218EX	\$119.95
	Drive Belt Warehouse	3211218	DBWH1218	\$99.95
2010-2015	RANGER 800 XP / XP CREW / 6X6 Fullsize & Midsize			
	Sand Storm	3211162 / 3211133	DBP01162B	\$139.95
	Bad Ass	3211162 / 3211133	DBP01162EX	\$119.95
	Drive Belt Warehouse	3211162 / 3211133	DBWH1162	\$99.95
2005-2009	RANGER 700 All Models			
	Sand Storm	3211162 / 3211133 / 3211106	DBP01162B	\$139.95
	Bad Ass	3211162 / 3211133 / 3211106	DBP01162EX	\$119.95
	Drive Belt Warehouse	3211162 / 3211133 / 3211106	DBWH1162	\$99.95
2015-2021	RANGER 570 Full Size / Full Size Crew			
	Sand Storm	3211169	DBP01143B	\$139.95
	Bad Ass	3211169	DBP01143EX	\$119.95
	Drive Belt Warehouse	3211169	DBWH1143	\$99.95
2014-2021	RANGER 570 Midsize / non-EBS			
	Sand Storm	3211169	DBP01143B	\$139.95
	Bad Ass	3211169	DBP01143EX	\$119.95
	Drive Belt Warehouse	3211169	DBWH1143	\$99.95
2016-2020	RANGER 570 Midsize w/EBS			
	World's Best	3211149	WBB1148	\$159.95
	Sand Storm	3211149	DBP01148B	\$139.95
	Mud Monster	3211149	MMP01148	\$139.95
	Bad Ass	3211149	DBP01148EX	\$119.95
	Drive Belt Warehouse	3211149	DBWH1148	\$99.95

continued UTV/ATV DRIVE BELTS



YEAR	FITMENT	OEM	GBOOST #	PRICE
2015	RANGER 570 Midsize w/EBS (built 1/13/15 and after)			
	World's Best	3211149	WBB1148	\$159.95
	Sand Storm	3211149	DBP01148B	\$139.95
	Mud Monster	3211196	MMP01148	\$139.95
	Bad Ass	3211149	DBP01148EX	\$119.95
	Drive Belt Warehouse	3211149	DBWH1148	\$99.95
2015	RANGER 570 Midsize w/EBS (built 1/12/15 and before)			
	Sand Storm	3211143	DBP01143B	\$139.95
	Bad Ass	3211143	DBP01143EX	\$119.95
	Drive Belt Warehouse	3211143	DBWH1143	\$99.95
2014-2020	RANGER 570 Midsize Crew			
	Sand Storm	3211169	DBP01143B	\$139.95
	Bad Ass	3211169	DBP01143EX	\$119.95
	Drive Belt Warehouse	3211169	DBWH1143	\$99.95
2015-2021	RANGER 500 4X2 / 4X4 / ETX			
	Sand Storm	3211169	DBP01143B	\$139.95
	Bad Ass	3211169	DBP01143EX	\$119.95
	Drive Belt Warehouse	3211169	DBWH1143	\$99.95
2011-2013	RANGER 500 EFI All Models			
	Sand Storm	3211113	DBP01113B	\$139.95
	Bad Ass	3211113	DBP01113EX	\$119.95
	Drive Belt Warehouse	3211113	DBWH1113	\$99.95
2003-2010	RANGER 500 All Models			
	Severe Duty	3211077 / 3211048	DBP01077SD	\$99.95
	Drive Belt Warehouse	3211077 / 3211048	DBWH1077	\$79.95
2010-2014	RANGER 400 All Models			
	Severe Duty	3211077 / 3211048	DBP01077SD	\$99.95
	Drive Belt Warehouse	3211077 / 3211048	DBWH1077	\$79.95
2016-2019	ACE 900			
	World's Best <i>Racing Series</i>	3211172 / 3211148 / 3211149 / 3211196	WBB1148RS	\$199.95
	World's Best	3211172 / 3211148 / 3211149 / 3211196	WBB1148	\$159.95
	Sand Storm	3211172 / 3211148 / 3211149 / 3211196	DBP01148B	\$139.95
	Mud Monster	3211172 / 3211148 / 3211149 / 3211196	MMP01148	\$139.95
	Bad Ass	3211172 / 3211148 / 3211149 / 3211196	DBP01148EX	\$119.95
	Drive Belt Warehouse	3211172 / 3211148 / 3211149 / 3211196	DBWH1148	\$99.95
2018-2019	ACE 570			
	Sand Storm	3211143 / 3211206 / 3211169	DBP01143B	\$139.95
	Bad Ass	3211143 / 3211206 / 3211169	DBP01143EX	\$119.95
	Drive Belt Warehouse	3211143 / 3211206 / 3211169	DBWH1143	\$99.95
2017	ACE 570			
	World's Best	3211172 / 3211149 / 3211148	WBB1148	\$159.95
	Sand Storm	3211172 / 3211149 / 3211148	DBP01148B	\$139.95
	Mud Monster	3211172 / 3211149 / 3211148	MMP01148	\$139.95
	Bad Ass	3211172 / 3211149 / 3211148	DBP01148EX	\$119.95
	Drive Belt Warehouse	3211172 / 3211149 / 3211148	DBWH1148	\$99.95
2015-2016	ACE 570 non-EBS			
	Sand Storm	3211143 / 3211206 / 3211169	DBP01143B	\$139.95
	Bad Ass	3211143 / 3211206 / 3211169	DBP01143EX	\$119.95
	Drive Belt Warehouse	3211143 / 3211206 / 3211169	DBWH1143	\$99.95
2015-2016	ACE 570 w/EBS			
	World's Best	3211172 / 3211149 / 3211148	WBB1148	\$159.95
	Sand Storm	3211172 / 3211149 / 3211148	DBP01148B	\$139.95
	Mud Monster	3211172 / 3211149 / 3211148	MMP01148	\$139.95
	Bad Ass	3211172 / 3211149 / 3211148	DBP01148EX	\$119.95
	Drive Belt Warehouse	3211172 / 3211149 / 3211148	DBWH1148	\$99.95

UTV/ATV DRIVE BELTS *continued*



YEAR	FITMENT	OEM	GBOOST #	PRICE
2014-2021	SCRAMBLER 1000			
	World's Best	3211160	WBB1160	\$159.95
	Mud Monster	3211160	MMP01160	\$139.95
	Bad Ass	3211160	DBP01160EX	\$119.95
	Drive Belt Warehouse	3211160	DBWH1160	\$99.95
2013-2021	SCRAMBLER 850			
	World's Best	3211160	WBB1160	\$159.95
	Mud Monster	3211160	MMP01160	\$139.95
	Bad Ass	3211160	DBP01160EX	\$119.95
	Drive Belt Warehouse	3211160	DBWH1160	\$99.95
2000-2012	SCRAMBLER 500			
	Severe Duty	3211077 / 3211048	DBP01077SD	\$99.95
	Drive Belt Warehouse	3211077 / 3211048	DBWH1077	\$79.95
2001-2002	SCRAMBLER 400			
	Severe Duty	3211077 / 3211048	DBP01077SD	\$99.95
	Drive Belt Warehouse	3211077 / 3211048	DBWH1077	\$79.95
2015-2021	SPORTSMAN 1000 XP / TOURING			
	World's Best	3211160	WBB1160	\$159.95
	Mud Monster	3211160	MMP01160	\$139.95
	Bad Ass	3211160	DBP01160EX	\$119.95
	Drive Belt Warehouse	3211160	DBWH1160	\$99.95
2009-2021	SPORTSMAN 850 XP			
	World's Best	3211160	WBB1160	\$159.95
	Mud Monster	3211160	MMP01160	\$139.95
	Bad Ass	3211160	DBP01160EX	\$119.95
	Drive Belt Warehouse	3211160	DBWH1160	\$99.95
2007-2013	SPORTSMAN 800 EFI			
	Sand Storm	3211113	DBP01113B	\$139.95
	Bad Ass	3211113	DBP01113EX	\$119.95
	Drive Belt Warehouse	3211113	DBWH1113	\$79.95
2005-2006	SPORTSMAN 800 EFI			
	Sand Storm	3211161 / 3211106	DBP01162B	\$139.95
	Bad Ass	3211161 / 3211106	DBP01162EX	\$119.95
	Drive Belt Warehouse	3211161 / 3211106	DBWH1162	\$99.95
2007-2008	SPORTSMAN 700 EFI			
	Sand Storm	3211113	DBP01113B	\$139.95
	Bad Ass	3211113	DBP01113EX	\$119.95
	Drive Belt Warehouse	3211113	DBWH1113	\$79.95
2002-2006	SPORTSMAN 700 EFI			
	Drive Belt Warehouse	3211091	DBWH1091	\$79.95
2003-2005	SPORTSMAN 600			
	Drive Belt Warehouse	3211091	DBWH1091	\$79.95
2021	SPORTSMAN 570 w/P190X Clutch			
	Sand Storm	3211229	DBP01229B	TBA
	Bad Ass	3211229	DBP01229EX	TBA
	Drive Belt Warehouse	3211229	DBWH1229	TBA
2021	SPORTSMAN 570 without P190X Clutch			
	Sand Storm	3211113	DBP01113B	\$139.95
	Bad Ass	3211113	DBP01113EX	\$119.95
	Drive Belt Warehouse	3211113	DBWH1113	\$79.95

continued UTV/ATV DRIVE BELTS



YEAR	FITMENT	OEM	GBOOST #	PRICE
2014-2020	SPORTSMAN 570 All Models			
	Sand Storm	3211113	DBP01113B	\$139.95
	Bad Ass	3211113	DBP01113EX	\$119.95
	Drive Belt Warehouse	3211113	DBWH1113	\$79.95
2009-2014	SPORTSMAN 550 All Models			
	World's Best	3211203 / 3211160 / 3211153 / 3211130 / 3211123	WBB1160	\$159.95
	Mud Monster	3211203 / 3211160 / 3211153 / 3211130 / 3211123	MMP01160	\$139.95
	Bad Ass	3211203 / 3211160 / 3211153 / 3211130 / 3211123	DBP01160EX	\$119.95
	Drive Belt Warehouse	3211203 / 3211160 / 3211153 / 3211130 / 3211123	DBWH1160	\$99.95
2007-2013	SPORTSMAN 500 All Models w/EBS built after 8/7/2006			
	Sand Storm	3211113	DBP01113B	\$139.95
	Bad Ass	3211113	DBP01113EX	\$119.95
	Drive Belt Warehouse	3211113	DBWH1113	\$79.95
1998-2007	SPORTSMAN 500 All Models w/EBS built before 8/6/2006			
	Drive Belt Warehouse	3211069 / 3211095 / 3211091	DBWH1091	\$79.95
1998-2013	SPORTSMAN 500 All Models non-EBS			
	Severe Duty	3211077 / 3211048	DBP01077SD	\$99.95
	Drive Belt Warehouse	3211077 / 3211048	DBWH1077	\$79.95
2016-2021	SPORTSMAN 450 All Models			
	Sand Storm	3211113	DBP01113B	\$139.95
	Bad Ass	3211113	DBP01113EX	\$119.95
	Drive Belt Warehouse	3211113	DBWH1113	\$79.95
2006-2007	SPORTSMAN 450			
	Severe Duty	3211077 / 3211048	DBP01077SD	\$99.95
	Drive Belt Warehouse	3211077 / 3211048	DBWH1077	\$79.95
2012-2014	SPORTSMAN 400			
	Severe Duty	3211077 / 3211048	DBP01077SD	\$99.95
	Drive Belt Warehouse	3211077 / 3211048	DBWH1077	\$79.95
2002-2005	SPORTSMAN 400			
	Severe Duty	3211077 / 3211048	DBP01077SD	\$99.95
	Drive Belt Warehouse	3211077 / 3211048	DBWH1077	\$79.95
2000	SPORTSMAN 335			
	Severe Duty	3211077 / 3211048	DBP01077SD	\$99.95
	Drive Belt Warehouse	3211077 / 3211049	DBWH1077	\$79.95
2012-2014	HAWKEYE 400 HO			
	Severe Duty	3211077 / 3211048	DBP01077SD	\$99.95
	Drive Belt Warehouse	3211077 / 3211048	DBWH1077	\$79.95

continued on following page

UTV/ATV DRIVE BELTS *continued*



YEAR	FITMENT	OEM	GBOOST #	PRICE
2003–2013	TRAIL BLAZER / BOSS / MAGNUM 325 / 300			
	Severe Duty	3211077 / 3211048	DBP01077SD	\$99.95
	Drive Belt Warehouse	3211077 / 3211048	DBWH1077	\$79.95
2000–2006	TRAIL BLAZER 250			
	Severe Duty	3211077 / 3211048	DBP01077SD	\$99.95
	Drive Belt Warehouse	3211077 / 3211048	DBWH1077	\$79.95
2000–2001	XPLORER / MAGNUM 400 / 325			
	Severe Duty	3211077 / 3211048	DBP01077SD	\$99.95
	Drive Belt Warehouse	3211077 / 3211048	DBWH1077	\$79.95
1990–1999	All ATV Models			
	Severe Duty	3211077 / 3211048	DBP01077SD	\$99.95
	Drive Belt Warehouse	3211077 / 3211048	DBWH1077	\$79.95



YEAR	FITMENT	OEM	GBOOST #	PRICE
2018–2021	WILDCAT XX			
	Sand Storm	0823-529	DBTX3529B	\$139.95
2014–2019	WILDCAT TRAIL / SPORT / XT / LIMITED / SE			
	Bad Ass	0823-497	DBAC497EX	\$119.95
	Drive Belt Warehouse	0823-497	DBWH497	\$99.95
2013–2019	WILDCAT X / LTD / SE			
	Bad Ass	0823-496	DBAC496EX	\$119.95
	Drive Belt Warehouse	0823-496	DBWH496	\$99.95
2013–2018	WILDCAT 4 / 4X			
	Bad Ass	0823-496	DBAC496EX	\$119.95
	Drive Belt Warehouse	0823-496	DBWH496	\$99.95
2014–2015	WILDCAT / 4 LTD			
	Bad Ass	0823-496	DBAC496EX	\$119.95
	Drive Belt Warehouse	0823-496	DBWH496	\$99.95
2013	WILDCAT 1000 / LTD / GT (Late Build)			
	Bad Ass	0823-496	DBAC496EX	\$119.95
	Drive Belt Warehouse	0823-496	DBWH496	\$99.95
2012–2013	WILDCAT 1000 / LTD / GT (Early Build 2013 Models)			
	Sand Storm	0823-231	DBAC231B	\$139.95
	Drive Belt Warehouse	0823-231	DBWH231	\$99.95
2009–2017	PROWLER 1000 XT / XTZ / H2			
	Sand Storm	0823-231	DBAC231B	\$139.95
	Drive Belt Warehouse	0823-231	DBWH231	\$99.95
2008–2017	PROWLER 700 XTX / XT / HDX			
	Sand Storm	0823-013	DBAC013B	\$139.95
	Severe Duty	0823-013	DBAC013SD	\$99.95
	Drive Belt Warehouse	0823-013	DBWH013	\$79.95

continued UTV/ATV DRIVE BELTS



YEAR	FITMENT	OEM	GBOOST #	PRICE
2008–2009	PROWLER 650 H1 / XT			
	Sand Storm	0823-013	DBAC013B	\$139.95
	Severe Duty	0823-013	DBAC013SD	\$99.95
	Drive Belt Warehouse	0823-013	DBWH013	\$79.95
2010–2014	PROWLER 550 XT			
	Sand Storm	0823-013	DBAC013B	\$139.95
	Severe Duty	0823-013	DBAC013SD	\$99.95
	Drive Belt Warehouse	0823-013	DBWH013	\$79.95
2014–2018	PROWLER 500 / HDX / XT / LTD			
	Drive Belt Warehouse	0823-228	DBWH228	\$99.95
2016–2017	500 HDX XT			
	Drive Belt Warehouse	0823-228	DBWH228	\$99.95
2009–2017	ALTERA 1000 / TRV / MUD PRO / XT			
	Sand Storm	0823-231	DBAC231B	\$139.95
	Drive Belt Warehouse	0823-231	DBWH231	\$99.95
2008–2010	THUNDERCAT			
	Sand Storm	0823-231	DBAC231B	\$139.95
	Drive Belt Warehouse	0823-231	DBWH231	\$99.95
2019	ALTERA 700 / XT			
	Sand Storm	0823-231	DBAC231B	\$139.95
	Drive Belt Warehouse	0823-231	DBWH231	\$99.95
2005–2012	650 H1 / TBX / TRV / MUD PRO			
	Severe Duty	0823-013	DBAC013SD	\$99.95
	Drive Belt Warehouse	0823-013	DBWH013	\$79.95
2009–2017	550 H1 / LE / TRV / XR / XT / GT / ALTEERRA			
	Sand Storm	0823-013	DBSC013B	\$139.95
	Severe Duty	0823-013	DBAC013SD	\$99.95
	Drive Belt Warehouse	0823-013	DBWH013	\$79.95
2013–2018	500 ALTEERRA / XT / TRV / XR			
	Drive Belt Warehouse	0823-228	DBWH228	\$99.95
2010–2017	450 ALTEERRA / XC / GT / TRV			
	Drive Belt Warehouse	0823-228	DBWH228	\$99.95
2011–2012	425 CR			
	Drive Belt Warehouse	0823-228	DBWH228	\$99.95
2009–2017	400 ALTEERRA / TRV / CR			
	Drive Belt Warehouse	0823-228	DBWH228	\$99.95
2008–2011	366 SE			
	Drive Belt Warehouse	0823-228	DBWH228	\$99.95
2011–2012	350 CR			
	Drive Belt Warehouse	0823-228	DBWH228	\$99.95

continued on following page

UTV/ATV DRIVE BELTS *continued*

can-am

YEAR	FITMENT	OEM	GBOOST #	PRICE
2017-2021	X3 MAVERICK / X3 MAX / X3 900 All Models			
	World's Best <i>Racing Series</i>	422280651 / 422280652	WBB652RS	\$224.95
	World's Best	422280651 / 422280652	WBB383	\$179.95
	Sand Storm	422280651 / 422280652	DBCA383B	\$159.95
	Mud Monster	422280651 / 422280652	MMCA383	\$159.95
	Bad Ass	422280651 / 422280652	DBSD383EX	\$139.95
2018-2021	MAVERICK SPORT / TRAIL 1000 / 800 All Models			
	World's Best <i>Racing Series</i>	422280654 / 417300383	WBB652RS	\$224.95
	World's Best	422280654 / 417300383	WBB383	\$179.95
	Sand Storm	422280654 / 417300383	DBCA383B	\$159.95
	Mud Monster	422280654 / 417300383	MMCA383	\$159.95
	Bad Ass	422280654 / 417300383	DBSD383EX	\$139.95
2016-2018	MAVERICK / MAX 1000 TURBO All non-X3 Models			
	World's Best <i>Racing Series</i>	715900212 / 715000302 / 422280364 / 422280360 / 715900030	WBB302RS	\$199.95
	World's Best	715900212 / 715000302 / 422280364 / 422280360 / 715900030	WBB302	\$159.95
	Sand Storm	715900212 / 715000302 / 422280364 / 422280360 / 715900030	DBCA302B	\$139.95
	Mud Monster	715900212 / 715000302 / 422280364 / 422280360 / 715900030	MMCA302	\$139.95
	Bad Ass	715900212 / 715000302 / 422280364 / 422280360 / 715900030	DBCA302EX	\$119.95
	Drive Belt Warehouse	715900212 / 715000302 / 422280364 / 422280360 / 715900030	DBWH302	\$99.95
2013-2018	MAVERICK / MAX 1000 All Models			
	World's Best <i>Racing Series</i>	715900212 / 715000302 / 422280364 / 422280360 / 715900030	WBB302RS	\$199.95
	World's Best	715900212 / 715000302 / 422280364 / 422280360 / 715900030	WBB302	\$159.95
	Sand Storm	715900212 / 715000302 / 422280364 / 422280360 / 715900030	DBCA302B	\$139.95
	Mud Monster	715900212 / 715000302 / 422280364 / 422280360 / 715900030	MMCA302	\$139.95
	Bad Ass	715900212 / 715000302 / 422280364 / 422280360 / 715900030	DBCA302EX	\$119.95
	Drive Belt Warehouse	715900212 / 715000302 / 422280364 / 422280360 / 715900030	DBWH302	\$99.95
2011-2020	COMMANDER 1000 / 800 All Models			
	World's Best <i>Racing Series</i>	715900212 / 715000302 / 422280364 / 422280360 / 715900030	WBB302RS	\$199.95
	World's Best	715900212 / 715000302 / 422280364 / 422280360 / 715900030	WBB302	\$159.95
	Sand Storm	715900212 / 715000302 / 422280364 / 422280360 / 715900030	DBCA302B	\$139.95
	Mud Monster	715900212 / 715000302 / 422280364 / 422280360 / 715900030	MMCA302	\$139.95
	Bad Ass	715900212 / 715000302 / 422280364 / 422280360 / 715900030	DBCA302EX	\$119.95
	Drive Belt Warehouse	715900212 / 715000302 / 422280364 / 422280360 / 715900030	DBWH302	\$99.95
2016-2021	DEFENDER / MAX / T 1000 / 800 All Models			
	World's Best <i>Racing Series</i>	422280651 / 422280652 / 417300383 / 422280654	WBB652RS	\$224.95
	World's Best	422280651 / 422280652 / 417300383 / 422280654	WBB383	\$179.95
	Sand Storm	422280651 / 422280652 / 417300383 / 422280654	DBCA383B	\$159.95
	Mud Monster	422280651 / 422280652 / 417300383 / 422280654	MMCA383	\$159.95
	Bad Ass	422280651 / 422280652 / 417300383 / 422280654	DBSD383EX	\$139.95
2017-2020	DEFENDER HD5			
	Severe Duty	422280280	DBCA024SD	\$99.95
	Drive Belt Warehouse	422280280	DBWH024	\$79.95

continued UTV/ATV DRIVE BELTS

can-am

YEAR	FITMENT	OEM	GBOOST #	PRICE
2007-2021	RENEGADE 1000 / 850 / 570 All Models			
	World's Best <i>Racing Series</i>	715900212 / 715000302 / 422280364 / 422280360 / 715900030	WBB302RS	\$199.95
	World's Best	715900212 / 715000302 / 422280364 / 422280360	WBB302	\$159.95
	Sand Storm	715900212 / 715000302 / 422280364 / 422280360	DBCA302B	\$139.95
	Mud Monster	715900212 / 715000302 / 422280364 / 422280360	MMCA302	\$139.95
	Bad Ass	715900212 / 715000302 / 422280364 / 422280360	DBCA302EX	\$119.95
	Drive Belt Warehouse	715900212 / 715000302 / 422280364 / 422280360	DBWH302	\$99.95
2007-2016	RENEGADE 800 / 500			
	World's Best	715900212 / 715000302 / 422280364 / 422280360 / 715900030	WBB302	\$159.95
	Sand Storm	715900212 / 715000302 / 422280364 / 422280360 / 715900030	DBCA302B	\$139.95
	Mud Monster	715900212 / 715000302 / 422280364 / 422280360 / 715900030	MMCA302	\$139.95
	Bad Ass	715900212 / 715000302 / 422280364 / 422280360 / 715900030	DBCA302EX	\$119.95
	Drive Belt Warehouse	715900212 / 715000302 / 422280364 / 422280360 / 715900030	DBWH302	\$99.95
2009-2021	OUTLANDER 1000 / 850 / 650 / 570 All Models			
	World's Best <i>Racing Series</i>	715900212 / 715000302 / 422280364 / 422280360 / 715900030	WBB302RS	\$199.95
	World's Best	715900212 / 715000302 / 422280364 / 422280360 / 715900030	WBB302	\$159.95
	Sand Storm	715900212 / 715000302 / 422280364 / 422280360 / 715900030	DBCA0302B	\$139.95
	Mud Monster	715900212 / 715000302 / 422280364 / 422280360 / 715900030	MMCA302	\$139.95
	Bad Ass	715900212 / 715000302 / 422280364 / 422280360 / 715900030	DBCA030EX	\$119.95
	Drive Belt Warehouse	715900212 / 715000302 / 422280364 / 422280360 / 715900030	DBWH030	\$99.95
2006-2008	OUTLANDER 800 / 650 / 500			
	World's Best	715900212 / 715000302 / 422280364 / 422280360 / 715900030	WBB302	\$159.95
	Sand Storm	715900212 / 715000302 / 422280364 / 422280360 / 715900030	DBCA302B	\$139.95
	Mud Monster	715900212 / 715000302 / 422280364 / 422280360 / 715900030	MMCA302	\$139.95
	Bad Ass	715900212 / 715000302 / 422280364 / 422280360 / 715900030	DBCA302EX	\$119.95
	Drive Belt Warehouse	715900212 / 715000302 / 422280364 / 422280360 / 715900030	DBWH302	\$99.95
2004-2021	OUTLANDER 450 / 400 / 330 All Models			
	Severe Duty	715900024 / 420280280	DBCA024SD	\$99.95
	Drive Belt Warehouse	715900024 / 420280280	DBWH024	\$79.95

continued on following page



UTV/ATV DRIVE BELTS *continued*



YEAR	FITMENT	OEM	GBOOST #	PRICE
2018-2020	1000 ZFORCE / UFORCE			
	Bad Ass	OJWA-055000-10000	DBCFO55EX	\$139.95
	Drive Belt Warehouse	OJWA-055000-10000	DBWH055	\$99.95
2019-2020	800 CFORCE			
	Bad Ass	OJWA-055000-10000	DBCFO55EX	\$139.95
	Drive Belt Warehouse	OJWA-055000-10000	DBWH055	\$99.95
2019-2020	800 UFORCE			
	Bad Ass	0800-055000-0001	DBCFO55EX	\$139.95
	Drive Belt Warehouse	0800-055000-0001	DBWH800	\$99.95
2013-2018	800 CFORCE SERIES All Models			
	Bad Ass	0800-055000-0001	DBCFO55EX	\$139.95
	Drive Belt Warehouse	0800-055000-0001	DBWH800	\$99.95
2015-2020	800 ZFORCE SERIES All Models			
	Bad Ass	0800-055000-0001	DBCFO55EX	\$139.95
	Drive Belt Warehouse	0800-055000-0001	DBWH800	\$99.95
2014	800 Z8-EX TERRACROSS EX / SPORT UTV EFI 2-seat			
	Bad Ass	0800-055000-0001	DBCFO55EX	\$139.95
	Drive Belt Warehouse	0800-055000-0001	DBWH800	\$99.95
2013-2014	800 UFORCE TRACKER UTV EFI 2-seat			
	Bad Ass	0800-055000-0001	DBCFO55EX	\$139.95
	Drive Belt Warehouse	0800-055000-0001	DBWH800	\$99.95
2012-2014	800 X8 X-LANDER LWB ATV EFI 2-seat / TERRALANDER			
	Bad Ass	0800-055000-0001	DBCFO55EX	\$139.95
	Drive Belt Warehouse	0800-055000-0001	DBWH800	\$99.95
2013	800 TRACKER (CF800-3)			
	Bad Ass	0800-055000-0001	DBCFO55EX	\$139.95
	Drive Belt Warehouse	0800-055000-0001	DBWH800	\$99.95
2011-2014	625 Z6-EX (TERRACROSS)			
	Bad Ass	0180-055000-0001 / 0180-055000-0004	DBCFO55EX	\$119.95
	Drive Belt Warehouse	0180-055000-0001 / 0180-055000-0004	DBWH180	\$99.95
2011-2014	625 X6 (TERRALANDER) All Models			
	Bad Ass	0180-055000-0001 / 0180-055000-0004	DBCFO55EX	\$119.95
	Drive Belt Warehouse	0180-055000-0001 / 0180-055000-0004	DBWH180	\$99.95
2019-2020	600 CFORCE All Models			
	Bad Ass	0180-055000-0001 / 0180-055000-0004	DBCFO55EX	\$119.95
	Drive Belt Warehouse	0180-055000-0001 / 0180-055000-0004	DBWH180	\$99.95
2011-2013	600 X6 All Models			
	Bad Ass	0180-055000-0001 / 0180-055000-0004	DBCFO55EX	\$119.95
	Drive Belt Warehouse	0180-055000-0001 / 0180-055000-0004	DBWH180	\$99.95
2011, 2015	600 ZFORCE / Z6 / SNYPER SSV			
	Bad Ass	0180-055000-0001 / 0180-055000-0004	DBCFO55EX	\$119.95
	Drive Belt Warehouse	0180-055000-0001 / 0180-055000-0004	DBWH180	\$99.95
2014	600 CFORCE X6			
	Bad Ass	0180-055000-0001 / 0180-055000-0004	DBCFO55EX	\$119.95
	Drive Belt Warehouse	0180-055000-0001 / 0180-055000-0004	DBWH180	\$99.95

continued UTV/ATV DRIVE BELTS



YEAR	FITMENT	OEM	GBOOST #	PRICE
2011-2014	600 UFORCE UTILITY			
	Bad Ass	0180-055000-0001 / 0180-055000-0004	DBCFO55EX	\$119.95
	Drive Belt Warehouse	0180-055000-0001 / 0180-055000-0004	DBWH180	\$99.95
2011-2013	600 RANCHER UTILITY			
	Bad Ass	0180-055000-0001 / 0180-055000-0004	DBCFO55EX	\$119.95
	Drive Belt Warehouse	0180-055000-0001 / 0180-055000-0004	DBWH180	\$99.95
2011-2014	600 Z6 All Models			
	Bad Ass	0180-055000-0001 / 0180-055000-0004	DBCFO55EX	\$119.95
	Drive Belt Warehouse	0180-055000-0001 / 0180-055000-0004	DBWH180	\$99.95
2014-2020	500 CFORCE All Models			
	Bad Ass	0180-055000-0001 / 0180-055000-0004	DBCFO55EX	\$119.95
	Drive Belt Warehouse	0180-055000-0001 / 0180-055000-0004	DBWH180	\$99.95
2016-2020	500 ZFORCE			
	Bad Ass	0180-055000-0001 / 0180-055000-0004	DBCFO55EX	\$119.95
	Drive Belt Warehouse	0180-055000-0001 / 0180-055000-0004	DBWH180	\$99.95
2014-2017	500 UFORCE HO UTILITY			
	Bad Ass	0180-055000-0001 / 0180-055000-0004	DBCFO55EX	\$119.95
	Drive Belt Warehouse	0180-055000-0001 / 0180-055000-0004	DBWH180	\$99.95
2011, 2013	500 UFORCE RANCHER UTILITY			
	Bad Ass	0180-055000-0001 / 0180-055000-0004	DBCFO55EX	\$119.95
	Drive Belt Warehouse	0180-055000-0001 / 0180-055000-0004	DBWH180	\$99.95
2010-2013	500 RANCHER All Models			
	Bad Ass	0180-055000-0001 / 0180-055000-0004	DBCFO55EX	\$119.95
	Drive Belt Warehouse	0180-055000-0001 / 0180-055000-0004	DBWH180	\$99.95
2011-2015	500 X5 All Models			
	Bad Ass	0180-055000-0001 / 0180-055000-0004	DBCFO55EX	\$119.95
	Drive Belt Warehouse	0180-055000-0001 / 0180-055000-0004	DBWH180	\$99.95
2007-2014	500 CF All Models			
	Bad Ass	0180-055000-0001 / 0180-055000-0004	DBCFO55EX	\$119.95
	Drive Belt Warehouse	0180-055000-0001 / 0180-055000-0004	DBWH180	\$99.95
2016-2020	400 CFORCE			
	Bad Ass	0180-055000-0001 / 0180-055000-0004	DBCFO55EX	\$119.95
	Drive Belt Warehouse	0180-055000-0001 / 0180-055000-0004	DBWH180	\$99.95

continued on following page

UTV/ATV DRIVE BELTS *continued*



YEAR	FITMENT	OEM	GBOOST #	PRICE
2016-2018	WOLVERINE All Models (except 2018 X4 models)			
	Bad Ass	2MB-E7641-00-00	DBYA1XDEX	\$119.95
	Drive Belt Warehouse	2MB-E7641-00-00	DBWH1XD	\$99.95
2014-2020	VIKING 700			
	Bad Ass	1XD-17641-00-00	DBYA1XDEX	\$119.95
	Drive Belt Warehouse	1XD-17641-00-00	DBWH1XD	\$99.95
2008-2013	RHINO 700			
	Bad Ass	5B4-17641-00-00	DBYA5B4EX	\$119.95
	Drive Belt Warehouse	5B4-17641-00-00	DBWH5B4	\$99.95
2004-2008	RHINO 660 All Models			
	Bad Ass	5KM-17641-01-00	DBYA5B4EX	\$119.95
	Drive Belt Warehouse	5KM-17641-01-00	DBWH5B4	\$99.95
2016-2020	KODIAK 700			
	Bad Ass	3B4-17641-00-00	DBYA5B4EX	\$119.95
	Drive Belt Warehouse	3B4-17641-00-00	DBWH5B4	\$99.95
2007-2020	GRIZZLY 700			
	Bad Ass	3B4-17641-00-00	DBYA5B4EX	\$119.95
	Drive Belt Warehouse	3B4-17641-00-00	DBWH5B4	\$99.95
2002-2008	GRIZZLY 660			
	Bad Ass	5KM-17641-01-00	DBYA5B4EX	\$119.95
	Drive Belt Warehouse	5KM-17641-01-00	DBWH5B4	\$99.95
2009-2014	GRIZZLY 550			
	Bad Ass	28P-17641-00-00	DBYA5B4EX	\$119.95
	Drive Belt Warehouse	28P-17641-00-00	DBWH5B4	\$99.95



YEAR	FITMENT	OEM	GBOOST #	PRICE
2014-2018	700i / 700 UXV			
	Bad Ass	23100-LDB5-E00	DBKYLDB5EX	\$139.95
	Drive Belt Warehouse	23100-LDB5-E00	DBWHLDB5	\$99.95
2009-2018	550i / 500 UXV			
	Bad Ass	23100-LDB5-E00	DBKYLDB5EX	\$139.95
	Drive Belt Warehouse	23100-LDB5-E00	DBWHLDB5	\$99.95
2015-2018	450i UXV			
	Bad Ass	23100-PWB1-900	DBKYPWB1EX	\$119.95
	Drive Belt Warehouse	23100-PWB1-900	DBWHPWB1	\$99.95
2013-2018	700i / 700 MXU			
	Bad Ass	23100-LDB5-E00	DBKYLDB5EX	\$139.95
	Drive Belt Warehouse	23100-LDB5-E00	DBWHLDB5	\$99.95
2017	550i MXU EX			
	Bad Ass	23100-LDB5-E00	DBKYLDB5EX	\$139.95
	Drive Belt Warehouse	23100-LDB5-E00	DBWHLDB5	\$99.95

continued UTV/ATV DRIVE BELTS



YEAR	FITMENT	OEM	GBOOST #	PRICE
2011-2018	550i MXU			
	Bad Ass	23100-LDB5-E00	DBKYLDB5EX	\$139.95
	Drive Belt Warehouse	23100-LDB5-E00	DBWHLDB5	\$99.95
2007-2016	500 MXU			
	Bad Ass	23100-LDB5-E00	DBKYLDB5EX	\$139.95
	Drive Belt Warehouse	23100-LDB5-E00	DBWHLDB5	\$99.95
2015-2017	450i MAXXER			
	Bad Ass	23100-PWB1-900	DBKYPWB1EX	\$119.95
	Drive Belt Warehouse	23100-PWB1-900	DBWHPWB1	\$99.95
2011	450 MAXXER			
	Bad Ass	23100-PWB1-900	DBKYPWB1EX	\$119.95
	Drive Belt Warehouse	23100-PWB1-900	DBWHPWB1	\$99.95
2011-2018	450i MXU			
	Bad Ass	23100-PWB1-900	DBKYPWB1EX	\$119.95
	Drive Belt Warehouse	23100-PWB1-900	DBWHPWB1	\$99.95
2010-2014	375 MAXXER			
	Bad Ass	23100-PWB1-900	DBKYPWB1EX	\$119.95
	Drive Belt Warehouse	23100-PWB1-900	DBWHPWB1	\$99.95
2009-2011	375 MXU			
	Bad Ass	23100-PWB1-900	DBKYPWB1EX	\$119.95
	Drive Belt Warehouse	23100-PWB1-900	DBWHPWB1	\$99.95
2001-2014	300 MONGOOSE			
	Bad Ass	23100-KHE7-90B	DBKYKHE7EX	\$119.95
	Drive Belt Warehouse	23100-KHE7-90B	DBWHKHE7	\$99.95
2006-2014	300 MXU			
	Bad Ass	23100-KHE7-90B	DBKYKHE7EX	\$119.95
	Drive Belt Warehouse	23100-KHE7-90B	DBWHKHE7	\$99.95
2016-2018	270 MONGOOSE			
	Bad Ass	23100-KHE7-90B	DBKYKHE7EX	\$119.95
	Drive Belt Warehouse	23100-KHE7-90B	DBWHKHE7	\$99.95
2016-2018	270 MXU			
	Bad Ass	23100-KHE7-90B	DBKYKHE7EX	\$119.95
	Drive Belt Warehouse	23100-KHE7-90B	DBWHKHE7	\$99.95
2004-2008	250 MONGOOSE			
	Bad Ass	23100-KHE7-90B	DBKYKHE7EX	\$119.95
	Drive Belt Warehouse	23100-KHE7-90B	DBWHKHE7	\$99.95
2005	250 MXU			
	Bad Ass	23100-KHE7-90B	DBKYKHE7EX	\$119.95
	Drive Belt Warehouse	23100-KHE7-90B	DBWHKHE7	\$99.95

continued on following page

UTV/ATV DRIVE BELTS *continued*

Kawasaki

YEAR	FITMENT	OEM	GBOOST #	PRICE
2020	TERYX KRX 1000			
	World's Best	59011-0047	WBB0047	\$159.95
	Bad Ass	59011-0047	DBKA0047EX	\$139.95
2016-2020	TERYX 800 All Models			
	Bad Ass	59011-0043	DBKA0043EX	\$119.95
	Drive Belt Warehouse	59011-0043	DBWH0043	\$99.95
2014-2015	TERYX 800 All Models			
	Bad Ass	59011-0040	DBKA0040EX	\$119.95
	Drive Belt Warehouse	59011-0040	DBWH0040	\$99.95
2014	TERYX 750 All Models			
	Drive Belt Warehouse	59011-0039	DBWH0039	\$99.95
2012-2013	TERYX 750 All Models w/EPS			
	Drive Belt Warehouse	59011-0031	DBWH0031	\$99.95
2008-2013	TERYX 750 All Models non-EPS			
	Bad Ass	59011-0019 / 59011-0003	DBKA0019EX	\$119.95
	Drive Belt Warehouse	59011-0019 / 59011-0003	DBWH0019	\$99.95
2005-2020	BRUTE FORCE 750			
	Bad Ass	59011-0019 / 59011-0003	DBKA0019EX	\$119.95
	Drive Belt Warehouse	59011-0019 / 59011-0003	DBWH0019	\$99.95
2005-2013	BRUTE FORCE 650			
	Bad Ass	59011-0019 / 59011-0003	DBKA0019EX	\$119.95
	Drive Belt Warehouse	59011-0019 / 59011-0003	DBWH0019	\$99.95
2002-2006	PRAIRIE 700 / 650			
	Bad Ass	59011-0019 / 59011-0003	DBKA0019EX	\$119.95
	Drive Belt Warehouse	59011-0019 / 59011-0003	DBWH0019	\$99.95
2004-2009	KFX 700			
	Bad Ass	59011-0019 / 59011-0003	DBKA0019EX	\$119.95
	Drive Belt Warehouse	59011-0019 / 59011-0003	DBWH0019	\$99.95
2003-2013	PRAIRIE 360			
	Bad Ass	59011-0019 / 59011-0003	DBKA0019EX	\$119.95
	Drive Belt Warehouse	59011-0019 / 59011-0003	DBWH0019	\$99.95

continued UTV/ATV DRIVE BELTS

JOHNDEERE

YEAR	FITMENT	OEM	GBOOST #	PRICE
2005-2014	GATOR TS (351cc / 286cc)			
	Drive Belt Warehouse	M150046	DBWH5046	\$99.95
2017-2019	RSX 860E / M GATOR			
	Drive Belt Warehouse	M168196 / M176776	DBWH8196	\$99.95
2016-2018	RSX 860i GATOR			
	Drive Belt Warehouse	M168196 / M176776	DBWH8196	\$99.95
2012-2016	RSX 850i GATOR / TRAIL / SPORT (839cc)			
	Drive Belt Warehouse	M168196 / M176776	DBWH8196	\$99.95
2005-2012, 2016	TH 6X4 GATOR gas / diesel			
	Drive Belt Warehouse	M150046	DBWH5046	\$99.95
2004-2016	TS 4X2 GATOR (401cc)			
	Drive Belt Warehouse	M150046	DBWH5046	\$99.95
1997-2005	TURF GATOR			
	Drive Belt Warehouse	M150046	DBWH5046	\$99.95
2005-2012	TX 4X2 GATOR (401cc)			
	Drive Belt Warehouse	M150046	DBWH5046	\$99.95
2010-2014	TX GATOR (675cc)			
	Drive Belt Warehouse	M150046	DBWH5046	\$99.95
2005-2016	TX TURF GATOR			
	Drive Belt Warehouse	M150046	DBWH5046	\$99.95
All Years	XUV 865E / M / R			
	Drive Belt Warehouse	M158189 / M173005 / M174096	DBWH8190	\$99.95
2011-2019	XUV 855D / E / M / S4 GATOR / diesel			
	Drive Belt Warehouse	M158189 / M173005 / M174096	DBWH8190	\$99.95
All Years	XUV 835E / M / R			
	Drive Belt Warehouse	M158189 / M173005 / M174096	DBWH8190	\$99.95
2011-2016	XUV 825i GATOR / E / M / S4			
	Drive Belt Warehouse	M158189 / M173005 / M174096	DBWH8190	\$99.95

SNOWMOBILE DRIVE BELTS



BAD ASS EXTREME DUTY

EX-COMPOUND

- High-temperature, heat-resistant with directionally-oriented fibers.
- Will handle the heat / friction for maximum power transfer through clutches.
- Engineered to keep maximum under-cord stiffness across the belt while giving stable cord construction base and allowing the belt to flex for efficiency and cool running temperatures.
- Helps retain cord line position — won't expand or bulge out under top cog.

CORD

- Next-generation, ultra-strong Aramid fiber cord.
- Can handle / carry more than 10,000 pounds of tension without stretching or breaking.
- Stronger than OEM and aftermarket drive belts.

TOP COG

- Next generation cog design.
- Above-cord strength, flexibility, and heat resistance.
- A must for today's high-horsepower / high-torque motor / clutch applications.

BELT AND SLEEVE

- Complete fitment listing on sleeve and part number on belt ensures correct application.

Available for:



continued SNOWMOBILE DRIVE BELTS



ENGINE CC	MODEL	YEAR	OEM#	BAD ASS	PRICE
900	FUSION / RMK / SWITCHBACK (166 / 159 / 151)	2005–2006	3211115	DBP01115	\$169.95
850	MAYTRYX	2021	3211215 / 3211165	DBP01177	\$169.95
	AXYS PRO RMK 155 / 163 / 165 / 174	2019–2021	3211216	DBP01183	\$169.95
	AXYS SKS 155	2019–2021	3211216	DBP01183	\$169.95
	AXYS SKS 146	2019–2021	3211215	DBP01177	\$169.95
	INDY XC / XCR / ADVENTURE / ASSAULT	2020–2021	3211215	DBP01177	\$169.95
	RMK KHAOS 155 / 163 / 165	2020–2021	3211216	DBP01183	\$169.95
	RUSH PRO-S / XCR	2019–2020	3211177 / 3211215	DBP01177	\$169.95
	SWITCHBACK PRO-S / XCR / ASSAULT 144	2019–2020	3211215	DBP01177	\$169.95
800	AXYS PRO RMK (155 / 163 / 174)	2016–2020	3211183 / 3211216	DBP01183	\$169.95
	AXYS RMK ASSAULT / 155	2017–2019	3211183	DBP01183	\$169.95
	AXYS SKS 155	2015–2020	3211183 / 3211216	DBP01183	\$169.95
	AXYS SKS 146	2018–2020	3211177 / 3211215	DBP01177	\$169.95
	CLASSIC	2004	3211080	DBP01080	\$119.95
	EDGE TOURING	2004–2005	3211080	DBP01080	\$119.95
	INDY ADVENTURE / VOYAGEUR	2020	3211215	DBP01177	\$169.95
	INDY SP	2014–2016	3211115	DBP01115	\$169.95
	INDY XC / XCR 129	2019–2020	3211177 / 3211215	DBP01177	\$169.95
	IQ / SP / DRAGON SWITCHBACK	2008–2010	3211115	DBP01115	\$169.95
	PRO-RMK 155 / 163	2013–2015	3211115	DBP01115	\$169.95
	PRO-RMK ADVENTURE 163	2014	3211115	DBP01115	\$169.95
	PRO-RMK / RMK / ES	2011–2012	3211115	DBP01115	\$169.95
	PRO XR / X2	2004	3211080	DBP01080	\$119.95
	PRO X	2001–2004	3211080	DBP01080	\$119.95
	RMK / ASSAULT 155	2016	3211183	DBP01183	\$169.95
	RMK / ASSAULT 155	2009–2015	3211115	DBP01115	\$169.95
	RMK DRAGON	2007–2010	3211115	DBP01115	\$169.95
	RMK KHAOS 155	2020	3211216	DBP01183	\$169.95
	RMK	2009–2016	3211115	DBP01115	\$169.95
	RMK	2002–2005	3211080	DBP01115	\$169.95
	RMK	2000–2001	3211065	DBP01065	\$89.95
	RMK SHIFT	2009	3211115	DBP01115	\$169.95
	RUSH PRO S / X / XCR / INTL	2015–2020	3211177 / 3211215	DBP01177	\$169.95
	RUSH / PRO-R / GSL / ES	2011–2014	3211115	DBP01115	\$169.95
	SWITCHBACK ADVENTURE / INTL	2016–2019	3211177	DBP01177	\$169.95
	SWITCHBACK ADVENTURE	2014	3211115	DBP01115	\$169.95
	SWITCHBACK ASSAULT 144	2017–2020	3211177 / 3211215	DBP01177	\$169.95
	SWITCHBACK ASSAULT 144 / 155	2011–2016	3211115	DBP01115	\$169.95
	SWITCHBACK PRO-S / PRO-X / SC / XCR	2015–2020	3211177 / 3211215	DBP01177	\$169.95
	SWITCHBACK PRO-R / ES / SC / SP	2012–2014	3211115	DBP01115	\$169.95
	SWITCHBACK	2004–2005	3211080	DBP01080	\$119.95
	SKS	2003	3211080	DBP01080	\$119.95
	STORM All Models	1994–1998	3211065	DBP01065	\$89.95
	TITAN SP / XC / ADVENTURE / 155	2018–2021	3211177	DBP01177	\$169.95
	XP SP / LE	2001–2005	3211080	DBP01080	\$119.95

Dealers: Check out our website or call for bulk pack pricing.

www.GBoostTechnology.com | (218) 454-4584

SNOWMOBILE DRIVE BELTS *continued*



ENGINE CC	MODEL	YEAR	OEM#	BAD ASS	PRICE
750	FS / FST All Models	2006-2014	3211121 / 3211099	DBP01121	\$169.95
700	CLASSIC / TOURING	2002-2006	3211080 / 3211115	DBP01080	\$119.95
	CLASSIC	2001	3211065	DBP01065	\$89.95
	FUSION	2006	3211115	DBP01115	\$169.95
	IQ / DRAGON / DRAGON SWITCHBACK	2007-2008	3211115	DBP01115	\$169.95
	PRO-X / X2	2004	3211080	DBP01080	\$119.95
	RMK DRAGON	2007-2010	3211115	DBP01115	\$169.95
	RMK 159 / 151 / 144	2002-2010	3211080	DBP01080	\$119.95
	RMK	1997-2001	3211065	DBP01065	\$89.95
	SKS	2003	3211080	DBP01080	\$119.95
	SKS	1999-2002	3211065	DBP01065	\$89.95
	SKS	1997	3211065	DBP01065	\$89.95
	SWITCHBACK	2004	3211115	DBP01115	\$169.95
	XC SP / EDGE X	2001-2005	3211080	DBP01080	\$119.95
	XC SP	1999-2000	3211065	DBP01065	\$89.95
	XC	1998	3211065	DBP01065	\$89.95
650	MAYTRYX INDY XC / VR1 129 / 137	2021	3211165 / 3211215	DBP01177	\$169.95
	MAYTRYX SWITCHBACK ASSAULT 146	2021	3211165	DBP01177	\$169.95
600	AXYS PRO RMK 155	2017-2021	3211115	DBP01115	\$169.95
	CLASSIC EDGE	2001-2006	3211080	DBP01080	\$119.95
	CLASSIC TOURING	2004-2006	3211080	DBP01080	\$119.95
	DRAGON / SWITCHBACK / SP / ES	2009-2010	3211122	DBP01115	\$169.95
	DRAGON SWITCHBACK	2008	3211115	DBP01115	\$169.95
	EDGE TOURING	2004	3211080	DBP01080	\$119.95
	FUSION HO	2006	3211080	DBP01080	\$119.95
	AXYS INDY SP / XC / XCR / 129 / 137	2019-2021	3211165	DBP01177	\$169.95
	INDY / INDY SP 121	2013-2020	3211122	DBP01115	\$169.95
	INDY VOYAGEUR / INTL 137 / 144	2017-2021	3211165	DBP01177	\$169.95
	INDY VOYAGEUR 144	2015-2016	3211115	DBP01115	\$169.95
	INDY VOYAGEUR	2014	3211122	DBP01115	\$169.95
	IQ HO / CFI / TOURING / LX	2007	3211080	DBP01080	\$119.95
	IQ / LXT / SHIFT / ES / LX / TOURING / DRAGON	2009-2014	3211122 / 3211115	DBP01115	\$169.95
	IQ LXT	2015	3211115	DBP01115	\$169.95
	PRO / RMK / ES / SHIFT 144 / 155	2008-2017	3211115	DBP01115	\$169.95
	PRO RMK 155	2019	3211115	DBP01115	\$169.95
	PRO X / X2	2001-2004	3211080	DBP01080	\$119.95
	RMK / ES	2018-2021	3211165	DBP01177	\$169.95
	RMK HO	2006-2007	3211080 / 3211115	DBP01115	\$169.95
	RMK	1998-2001	3211065	DBP01065	\$89.95
	RUSH XCR / PRO-S / X / XCR / INTL	2015-2020	3211165	DBP01177	\$169.95
	RUSH All Models	2011-2014	3211122	DBP01115	\$169.95

continued SNOWMOBILE DRIVE BELTS



ENGINE CC	MODEL	YEAR	OEM#	BAD ASS	PRICE	
600	SWITCHBACK ASSAULT / SP 144	2017-2019	3211165	DBP01177	\$169.95	
	SWITCHBACK ASSAULT 144	2015-2016	3211122	DBP01115	\$169.95	
	SWITCHBACK PRO-S / ADVENTURE / XCR	2015-2021	3211177 / 3211165	DBP01177	\$169.95	
	SWITCHBACK PRO-R / ADVENTURE	2012-2014	3211122	DBP01115	\$169.95	
	SWITCHBACK	2008-2014	3211122	DBP01115	\$169.95	
	SWITCHBACK / HO	2004-2007	3211080	DBP01080	\$119.95	
	XC DELUXE	2000	3211065	DBP01065	\$89.95	
	XC SP / EDGE X	2001-2005	3211080	DBP01080	\$119.95	
	XC SP	1999	3211065	DBP01065	\$89.95	
	XCR	1995	3211042	DBP01042	\$89.95	
	XC	1998-1999	3211065	DBP01065	\$89.95	
	XC	1997	3211042	DBP01042	\$89.95	
	550	CLASSIC	2002-2006	3211078	DBP01080	\$119.95
		EDGE LX	2007-2008	3211078	DBP01080	\$119.95
		INDY / EVO / ES / LXT / RMK / VOYAGEUR All Models	2014-2021	3211154 / 3211174	DBP01154	\$119.95
IQ LXT / SHIFT / ES		2011-2013	3211121	DBP01121	\$169.95	
INDY WIDETRAK LX		2016-2019	3211070	DBP01070	\$89.95	
PRO X FAN		2002-2004	3211078	DBP01080	\$119.95	
RMK TRAIL		2004-2010	3211078	DBP01080	\$119.95	
RMK TRAIL		1999-2003	3211070	DBP01070	\$89.95	
SUPERSPORT		2001-2008	3211078	DBP01080	\$119.95	
SUPERSPORT		1999-2000	3211070	DBP01070	\$89.95	
TRAIL TOURING / EDGE / DELUXE / TRANSPORT	2005-2010	3211078	DBP01080	\$119.95		
500	CLASSIC TOURING	2001-2003	3211070	DBP01070	\$89.95	
	CLASSIC TOURING	1994	3211042	DBP01042	\$89.95	
	CLASSIC	2004-2006	3211078	DBP01080	\$119.95	
	CLASSIC	1998-2003	3211070	DBP01070	\$89.95	
	CLASSIC	1992	3211042	DBP01042	\$89.95	
	INDY CLASSIC / TOURING	1993-2000	3211070 / 3211042	DBP01070	\$89.95	
	INDY EFI / SKS / SP	1992-1997	3211042	DBP01042	\$89.95	
	INDY RMK	1996-1998	3211070	DBP01070	\$89.95	
	INDY	1998-2006	3211078	DBP01080	\$119.95	
	INDY	1992-1997	3211042	DBP01070	\$89.95	
	RMK	1999	3211070	DBP01070	\$89.95	
	WIDETRAK LX	1997-2011	3211070	DBP01070	\$89.95	
	XC SP	2001-2007	3211080	DBP01080	\$119.95	
	XC	2001-2003	3211080	DBP01080	\$119.95	
	XC	1999-2000	3211074	DBP01080	\$119.95	

continued on following page

Dealers: Check out our website or call for bulk pack pricing.

SNOWMOBILE DRIVE BELTS *continued*



ENGINE CC	MODEL	YEAR	OEM#	BAD ASS	PRICE
488	INDY SUPER SPORT	1998-2000	3211070	DBP01070	\$89.95
	INDY SUPER SPORT	1997	3211042	DBP01042	\$89.95
440	PRO XR	2004	3211080	DBP01080	\$119.95
	INDY / XCR / XC / SKS	1992-1998	3211070 / 3211042	DBP01070	\$89.95
	XCF SP EDGE / XCF EDGE	2000-2001	3211080 / 3211078	DBP01080	\$119.95
340	INDY / EDGE / CLASSIC / TOURING	2004-2008	3211078	DBP01080	\$119.95
	INDY RXL / SKS / TOURING	1993-1997	3211042 / 3211066	DBP01042	\$89.95
	INDY SPECIAL	1994	3211042	DBP01042	\$89.95
	INDY DELUXE / RMK / TRAIL	1994-1999	3211070 / 3211042	DBP01070	\$89.95
	INDY TRIUMPH	2000	3211070	DBP01070	\$89.95
	INDY ULTRA / RMK / SP / SPX / SSE / TOURING	1996-1998	3211066 / 3211042	DBP01070	\$89.95
	INDY WIDETRAK / LX / GT	1993-1998	3211070 / 3211042	DBP01070	\$89.95
	INDY XCF	1997-1999	3211070 / 3211042	DBP01070	\$89.95
	INDY XLT All Models	1993-1999	3211070 / 3211042 / 3211066	DBP01070	\$89.95
	SPORT TOURING	2004	3211078	DBP01080	\$119.95
	SPORT TOURING	2000-2003	3211070	DBP01070	\$89.95
	TRAIL TOURING	2004	3211078	DBP01080	\$119.95
	TRAIL TOURING	1996-2003	3211070	DBP01070	\$89.95



ENGINE	MODEL	YEAR	OEM#	BAD ASS	PRICE
9000	ZR / XF / M All Models	2017-2021	0627-112 / 0627-104	DBTX112EX	\$169.95
8000	RIOT ES / X ES	2020-2021	0627-111	DBAC111	\$169.95
	M / XF / ZR	2018-2021	0627-111	DBAC111	\$169.95
8000	M / XF / ZR	2014-2017	0627-084	DBAC084	\$169.95
800	M / XF	2012-2013	0627-084	DBAC084	\$169.95
7000	PANTERA / XF / ZR All Models	2018-2019	0627-110	DBTX112EX	\$169.95
6000	M / ZR	2018-2020	0627-107	DBAC111	\$169.95
	RIOT	2020	0627-107	DBAC111	\$169.95
	XF / NORSEMAN	2018-2019	0627-107	DBAC111	\$169.95

Dealers: Check out our website or call for bulk pack pricing.

continued SNOWMOBILE DRIVE BELTS



MODEL	YEAR	OEM#	BAD ASS	PRICE
SIDEWINDER All Models	2017-2020	8JP-17641-00-00	DBYA8JPEX	\$169.95
SR VIPER All Models	2014-2020	8JP-17641-00-00	DBYA8JPEX	\$169.95
VK 540	2017-2021	8DN-17641-00-00	DBYA8DN	\$139.95
VENTURE / RS	1998-2020	8DN-17641-00-00	DBYA8DN	\$139.95
APEX	2006-2018	8DN-17641-00-00	DBYA8DN	\$139.95
VECTOR	2005-2017	8DN-17641-00-00	DBYA8DN	\$139.95
NYTRO	2006-2014	8DN-17641-00-00	DBYA8DN	\$139.95
VIPER	2002-2006	8DN-17641-00-00	DBYA8DN	\$139.95
RX-1	2003-2005	8DN-17641-00-00	DBYA8DN	\$139.95
MOUNTAIN MAX	1998-2003	8DN-17641-00-00	DBYA8DN	\$139.95
VMAX	1998-2002	8DN-17641-00-00	DBYA8DN	\$139.95

Please review our cross reference chart on pages 88-89 for other OEM #s.

WORLD'S BEST SNOW BELT

NOW AVAILABLE FOR
ski-doo



3rd Generation heavy-duty, high-twist Kevlar Cord for HIGH HORSEPOWER TENSILE LOAD requirements make this the strongest belt on the market.

BUILT FOR THE RIDER/RACER WHO IS LOOKING FOR THE LATEST IN TECHNOLOGY AND PROVEN PERFORMANCE!



ENGINE CC	MODEL	YEAR	OEM#	BAD ASS	PRICE	WORLD'S BEST	PRICE
1200 4-TECH	EXPEDITION / LE / SE	2010-2019	417300383	DBSD383EX-SNOW	\$139.95	WBB383-SNOW	\$179.95
	GRAND TOURING / SE / LE	2010-2018	417300383	DBSD383EX-SNOW	\$139.95	WBB383-SNOW	\$179.95
	GSX	2010-2018	417300383	DBSD383EX-SNOW	\$139.95	WBB383-SNOW	\$179.95
	GTX LE / SE	2009	417300383	DBSD383EX-SNOW	\$139.95	WBB383-SNOW	\$179.95
	MXZ All Models	2009-2018	417300383	DBSD383EX-SNOW	\$139.95	WBB383-SNOW	\$179.95
V-1000	RENEGADE All Models	2010-2018	417300383	DBSD383EX-SNOW	\$139.95	WBB383-SNOW	\$179.95
	GRAND TOURING SPORT	2003	417300197	DBSD197EX	\$169.95	TBA	TBA
	LEGEND	2003-2005	417300197	DBSD197EX	\$169.95	TBA	TBA

continued on following page

SNOWMOBILE DRIVE BELTS *continued*



ENGINE CC	MODEL	YEAR	OEM#	BAD ASS	PRICE	WORLD'S BEST	PRICE
900 ACE	EXPEDITION All Models (includes Turbo)	2014–2021	417300383 417300531	DBSD383EX-SNOW	\$139.95	WBB383-SNOW	\$179.95
	GRAND TOURING / LE (non-Turbo)	2014–2021	417300383	DBSD383EX-SNOW	\$139.95	WBB383-SNOW	\$179.95
	GRAND TOURING TURBO	2020–2021	417300558	TBD	TBD	TBD	TBD
	GRAND TOURING TURBO	2019	417300531	DBSD383EX-SNOW	\$139.95	WBB383-SNOW	\$179.95
	GSX LE	2014–2015	417300383	DBSD383EX-SNOW	\$139.95	WBB383-SNOW	\$179.95
	MXZ All Models	2014–2018	417300383	DBSD383EX-SNOW	\$139.95	WBB383-SNOW	\$179.95
	RENEGADE / TURBO All Models	2014–2021	417300383 417300531	DBSD383EX-SNOW	\$139.95	WBB383-SNOW	\$179.95
	SKANDIC SWT / WT All Models	2015–2021	417300383	DBSD383EX-SNOW	\$139.95	WBB383-SNOW	\$179.95
850 E-TEC	BACKCOUNTRY XRS / X	2019–2021	417300531 417300571	DBSD383EX-SNOW	\$139.95	WBB383-SNOW	\$179.95
	FREERIDE 137 / 146 / 154 / 165	2018–2021	417300531 417300571	DBSD383EX-SNOW	\$139.95	WBB383-SNOW	\$179.95
	MXZ All Models	2017–2021	417300531 / 391 / 571	DBSD383EX-SNOW	\$139.95	WBB383-SNOW	\$179.95
	RENEGADE All Models	2017–2021	417300531 / 391 / 571	DBSD383EX-SNOW	\$139.95	WBB383-SNOW	\$179.95
	SUMMIT X / SP / EXPERT	2017–2021	417300531 417300571	DBSD383EX-SNOW	\$139.95	WBB383-SNOW	\$179.95
EXPEDITION EXTREME		2020–2021	417300571	DBSD383EX-SNOW	\$139.95	WBB383-SNOW	\$179.95
800R E-TEC	FREERIDE	2012–2017	417300391	DBSD383EX-SNOW	\$139.95	WBB383-SNOW	\$179.95
	FREERIDE RACING 154	2012–2013	417300391	DBSD383EX-SNOW	\$139.95	WBB383-SNOW	\$179.95
	EXPEDITION / EXPEDITION EXTREME	2016–2019	417300383	DBSD383EX-SNOW	\$139.95	WBB383-SNOW	\$179.95
	EXPEDITION LE / SE	2016–2017	417300391	DBSD383EX-SNOW	\$139.95	WBB383-SNOW	\$179.95
	GSX SE XR137	2012–2015	417300383	DBSD383EX-SNOW	\$139.95	WBB383-SNOW	\$179.95
	MXZ / TNT / X-RS / XS / XP	2010–2017	417300391	DBSD383EX-SNOW	\$139.95	WBB383-SNOW	\$179.95
	RENEGADE All Models	2011–2018	417300391	DBSD383EX-SNOW	\$139.95	WBB383-SNOW	\$179.95
	SUMMIT All Models	2012–2017	417300391	DBSD383EX-SNOW	\$139.95	WBB383-SNOW	\$179.95
SUMMIT EVEREST / FREERIDE / X		2011	417300377	DBSD383EX-SNOW	\$139.95	WBB383-SNOW	\$179.95
800 H.O. E-TEC	EXPEDITION LE / SE	2016–2017	417300391	DBSD383EX-SNOW	\$139.95	WBB383-SNOW	\$179.95
V-800 4-TECH	ADVENTURE	2007	417300197	DBSD197EX	\$169.95	TBA	TBA
	EXPEDITION SPORT	2007–2008	417300197	DBSD197EX	\$169.95	TBA	TBA
	LEGEND TOURING / TRAIL	2007–2009	417300197	DBSD197EX	\$169.95	TBA	TBA
	SKANDIC TUNDRA LT	2007–2009	417300197	DBSD197EX	\$169.95	TBA	TBA
800 SDI	GRAND TOURING SE	2003	417300166 417300383	DBSD383EX-SNOW	\$139.95	WBB383-SNOW	\$179.95
	LEGEND SE	2003–2004	417300166 417300383	DBSD383EX-SNOW	\$139.95	WBB383-SNOW	\$179.95

continued SNOWMOBILE DRIVE BELTS



ENGINE CC	MODEL	YEAR	OEM#	BAD ASS	PRICE	WORLD'S BEST	PRICE
800 P-TEK / H.O. P-TEK	GTX / LTD	2005–2007	417300166/ 417300383	DBSD383EX-SNOW	\$139.95	WBB383-SNOW	\$179.95
	MXZ ADRENALINE / RENEGADE / X	2009–2010	417300383	DBSD383EX-SNOW	\$139.95	WBB383-SNOW	\$179.95
	MXZ RENEGADE X	2009	417300383	DBSD383EX-SNOW	\$139.95	WBB383-SNOW	\$179.95
	MXZ All Models	2004–2008	417300166/ 417300383	DBSD383EX-SNOW	\$139.95	WBB383-SNOW	\$179.95
	RENEGADE All Models	2010–2011	417300377/ 417300391	DBSD383EX-SNOW	\$139.95	WBB383-SNOW	\$179.95
	SUMMIT SPORT	2013–2016	417300391	DBSD383EX-SNOW	\$139.95	WBB383-SNOW	\$179.95
	SUMMIT All Models	2008–2012	417300377	DBSD383EX-SNOW	\$139.95	WBB383-SNOW	\$179.95
	SUMMIT All Models	2006–2007	417300166/ 417300383	DBSD383EX-SNOW	\$139.95	WBB383-SNOW	\$179.95
800 / H.O.	GSX LIMITED	2004–2008	417300166/ 417300383	DBSD383EX-SNOW	\$139.95	WBB383-SNOW	\$179.95
	GTX / LTD	2005–2007	417300166/ 417300383	DBSD383EX-SNOW	\$139.95	WBB383-SNOW	\$179.95
	SUMMIT All Models	2003–2005	417300166/ 417300383	DBSD383EX-SNOW	\$139.95	WBB383-SNOW	\$179.95
800 CARB	MXZ REV / X 800	2003	417300166/ 417300383	DBSD383EX-SNOW	\$139.95	WBB383-SNOW	\$179.95
	MXZ	2000–2003	417300166/ 417300383	DBSD067	\$139.95	NA	NA
	GRAND TOURING	2001–2002	417300166/ 417300383	DBSD067	\$139.95	NA	NA
	LEGEND	2002	417300127/ 417300067	DBSD067	\$139.95	NA	NA
	SUMMIT	2000–2002	417300127/ 417300067	DBSD067	\$139.95	NA	NA
700 CARB	SUMMIT	2000–2003	417300166/ 417300383	DBSD067	\$139.95	NA	NA
	FORMULA DELUXE	2001	417300166/ 417300383	DBSD067	\$139.95	NA	NA
	GRAND TOURING	2001–2003	417300166/ 417300383	DBSD067	\$139.95	NA	NA
	MXZ	1999–2003	417300127/ 417300067	DBSD067	\$139.95	NA	NA
LEGEND	2002–2004	417300127/ 417300067	DBSD067	\$139.95	NA	NA	
600 E-TEC / H.O. / R	BACKCOUNTRY	2019–2021	417300551	DBSD383EX-SNOW	\$139.95	WBB383-SNOW	\$179.95
	EXPEDITION LE / SE	2011–2021	417300383/ 417300551	DBSD383EX-SNOW	\$139.95	WBB383-SNOW	\$179.95
	GRAND TOURING / LE	2010–2021	417300383/ 417300551	DBSD383EX-SNOW	\$139.95	WBB383-SNOW	\$179.95
	GSX LIMITED / LE / SE	2009–2015	417300383	DBSD383EX-SNOW	\$139.95	WBB383-SNOW	\$179.95
	GTX LE	2009	417300383	DBSD383EX-SNOW	\$139.95	WBB383-SNOW	\$179.95
	MXZ All Models	2009–2021	417300383/ 417300551	DBSD383EX-SNOW	\$139.95	WBB383-SNOW	\$179.95
	RENEGADE All Models	2010–2021	417300383/ 417300551	DBSD383EX-SNOW	\$139.95	WBB383-SNOW	\$179.95
	SKANDIC SWT / WT	2011–2021	417300383	DBSD383EX-SNOW	\$139.95	WBB383-SNOW	\$179.95
SUMMIT All Models	2009–2021	417300383/ 417300551	DBSD383EX-SNOW	\$139.95	WBB383-SNOW	\$179.95	
TUNDRA / XTREME	2011–2020	417300383	DBSD383EX-SNOW	\$139.95	WBB383-SNOW	\$179.95	

continued on following page

SNOWMOBILE DRIVE BELTS *continued*



ENGINE CC	MODEL	YEAR	OEM#	BAD ASS	PRICE	WORLD'S BEST	PRICE
600 EFI (2-Stroke)	BACKCOUNTRY	2021	417300197	DBSD197EX	\$169.95	TBA	TBA
	EXPEDITION SPORT	2021	417300197	DBSD197EX	\$169.95	TBA	TBA
	MXZ SPORT	2021	417300197	DBSD197EX	\$169.95	TBA	TBA
	RENEGADE SPORT	2021	417300197	DBSD197EX	\$169.95	TBA	TBA
	SKANDIC WT / SWT	2021	417300197	DBSD197EX	\$169.95	TBA	TBA
	TUNDRA LT / SPORT	2021	417300197	DBSD197EX	\$169.95	TBA	TBA
600 ACE	EXPEDITION/SPORT	2012-2021	417300127 / 417300067 / 417300585	DBSD067	\$139.95	NA	NA
	GRAND TOURING	2012-2021	417300127 / 417300067 / 417300585	DBSD067	\$139.95	NA	NA
	MXZ	2012-2018	417300127 / 417300067	DBSD067	\$139.95	NA	NA
	RENEGADE	2012-2021	417300127 / 417300067 / 417300585	DBSD067	\$139.95	NA	NA
	SKANDIC WT	2021	417300585	DBSD067	\$139.95	NA	NA
	SKANDIC	2020	417300383	DBSD383EX-SNOW	\$139.95	WBB383-SNOW	\$179.95
	SKANDIC	2012-2019	417300127 / 417300067	DBSD067	\$139.95	NA	NA
	TUNDRA All Models	2014-2021	417300127 / 417300067 / 417300585	DBSD067	\$139.95	NA	NA
	TUNDRA LT / SPORT	2013	417300383	DBSD383EX-SNOW	\$139.95	WBB383-SNOW	\$179.95
	600 CARB / H.O.	GRAND TOURING SPORT XP	2010-2014	417300197	DBSD197EX	\$169.95	TBA
GRAND TOURING		2001-2002	417300127 / 417300067	DBSD067	\$139.95	NA	NA
GSX SPORT		2004-2010	417300197	DBSD197EX	\$169.95	TBA	TBA
GTX SS / SPORT SS		2005-2009	417300197	DBSD197EX	\$169.95	TBA	TBA
LEGEND		2002-2003	417300127 / 417300067	DBSD067	\$139.95	NA	NA
MXZ		2016-2020	417300197	DBSD197EX	\$169.95	TBA	TBA
MXZ RACING		2018-2020	417300534	DBSD383EX-SNOW	\$139.95	WBB383-SNOW	\$179.95
MXZ REV / XP All Models		2003-2009	417300197	DBSD197EX	\$169.95	TBA	TBA
MXZ RS		2016-2017	417300288	DBSD197EX	\$169.95	TBA	TBA
MXZ TNT / SPORT		2010-2018	417300197	DBSD197EX	\$169.95	TBA	TBA
MXZ X RS / XS RACE SLED		2012-2015	417300425	DBSD383EX-SNOW	\$139.95	WBB383-SNOW	\$179.95
MXZ X RS		2008-2011	417300288	DBSD197EX	\$169.95	TBA	TBA
MXZ		2001-2002	417300127 / 417300067	DBSD067	\$139.95	NA	NA
FORMULA DELUXE		2001	417300127 / 417300067	DBSD067	\$139.95	NA	NA
RENEGADE All Models		2015-2020	417300197	DBSD197EX	\$169.95	TBA	TBA
SUMMIT All Models		2010-2020	417300197	DBSD197EX	\$169.95	TBA	TBA
SUMMIT All Models		2003-2005	417300197	DBSD197EX	\$169.95	TBA	TBA
SUMMIT		2001-2003	417300127 / 417300067	DBSD067	\$139.95	NA	NA

continued SNOWMOBILE DRIVE BELTS



ENGINE CC	MODEL	YEAR	OEM#	BAD ASS	PRICE	WORLD'S BEST	PRICE
600 H.O. SDI	EXPEDITION TUV XU / SE	2010	417300383	DBSD383EX-SNOW	\$139.95	WBB383-SNOW	\$179.95
	EXPEDITION TUV REV XU	2009	417300197	DBSD197EX	\$169.95	TBA	TBA
	GSX LIMITED	2004-2008	417300197	DBSD197EX	\$169.95	TBA	TBA
	GTX / LTD / SPORT	2005-2008	417300197	DBSD197EX	\$169.95	TBA	TBA
	LEGEND SE	2004	417300197	DBSD197EX	\$169.95	TBA	TBA
	MXZ REV / XP All Models	2003-2008	417300197	DBSD197EX	\$169.95	TBA	TBA
	SUMMIT All Models	2006-2008	417300197	DBSD197EX	\$169.95	TBA	TBA
550 FAN	GRAND TOURING	2015	417300127 / 417300067	DBSD067	\$139.95	NA	NA
	TUNDRA	2015-2020	417300127 / 417300067	DBSD067	\$139.95	NA	NA
500 SS	GRAND TOURING SPORT XP	2010-2014	417300197	DBSD197EX	\$169.95	TBA	TBA
	GSX SPORT	2004-2010	417300197	DBSD197EX	\$169.95	TBA	TBA
	GTX SS / SPORT SS	2005-2009	417300197	DBSD197EX	\$169.95	TBA	TBA
	MXZ TNT / SPORT	2010-2018	417300197	DBSD197EX	\$169.95	TBA	TBA
	MXZ REV / XP All Models	2003-2009	417300197	DBSD197EX	\$169.95	TBA	TBA
	RENEGADE All Models	2015-2018	417300197	DBSD197EX	\$169.95	TBA	TBA
	SUMMIT All Models	2010-2018	417300197	DBSD197EX	\$169.95	TBA	TBA
500 CARB	FORMULA DELUXE 500	1999-2001	417300127 / 417300067	DBSD067	\$139.95	NA	NA
	GRAND TOURING	2001-2002	417300127 / 417300067	DBSD067	\$139.95	NA	NA
	LEGEND 500	2002	417300127 / 417300067	DBSD067	\$139.95	NA	NA
	MXZ	1999-2002	417300127 / 417300067	DBSD067	\$139.95	NA	NA
440	MXZ X RACING	2004-2007	417300288 / 417300297	DBSD197EX	\$169.95	TBA	TBA

Dealers: Check out our website or call for bulk pack pricing.

DIMMABLE INFRARED BELT TEMP GAUGE 3.1 EDITION

The 3.1 Dimmable Edition Gauge is the latest & greatest version of our patented, thermally compensated, infrared belt temperature gauge design. This gauge allows for real-time monitoring of belt surface temperature, and features multi-color LED temperature alerts. On the anti-glare LCD screen you'll be able to easily monitor current, average, and high belt temperatures.

Added rocker switch now allows you to dim both the LED light as well as your LCD screen. Cycle between 5 levels of brightness to suit your riding needs! You will also have the ability to switch from Fahrenheit to Celsius if needed.

Thermally compensated infrared sensors are medical grade, and are manufactured to withstand the harsh environments found in motorsports. Gauges are water resistant to IP65 and IP67 on the sensor and connections.

This gauge comes with a 15ft. sensor cable. Silver Bezel.
Mount sold separately.



GBoost # RBT10-15
PRICE \$310.00

DRIVE BELT OEM TO GBOOST INTERCHANGE

POLARIS UTV / ATV / SNOWMOBILE

OEM #	DBWH	BAD ASS	MUD MONSTER	SAND STORM	WORLD'S BEST	WBB RACING SERIES
3211229	TBA	TBA	TBA	TBA	TBA	TBA
3211218	DBWH1218	DBPO1218EX	MMPO1218	NA	NA	NA
3211202	NA	DBPO1202EX	MMPO1202	DBPO1202B	WBB1202	WBB1202RS
3211186	NA	DBPO1186EX	MMPO1186	DBPO1186B	WBB1186	WBB1186RS
3211216 / 3211183	NA	DBPO1183	NA	NA	NA	NA
3211215 / 3211177	NA	DBPO1177	NA	NA	NA	NA
3211162 / 3211133 / 3211118 / 3211106	DBWH1162	DBPO1162EX	NA	DBPO1162B	NA	NA
3211203 / 3211160 / 3211153 / 3211130 / 3211124	DBWH1160	DBPO1160EX	MMPO1160	NA	WBB1160	NA
3211180 / 3211172 / 3211149 / 3211148 / 3211196	DBWH1148	DBPO1148EX	MMPO1148	DBPO1148B	WBB1148	WBB1148RS
3211169 / 3211143 / 3211206	DBWH1143	DBPO1143EX	NA	DBPO1143B	NA	NA
3211121 / 3211099	NA	DBPO1121	NA	NA	NA	NA
3211122 / 3211115 / 32111080 / 32111078	NA	DBPO1115	NA	NA	NA	NA
3211113	DBWH1113	DBPO1113EX	NA	DBPO1113B	NA	NA
3211095 / 3211091 / 3211069	DBWH1091	NA	NA	NA	NA	NA
3211080	NA	DBPO1080	NA	NA	NA	NA
3211077 / 3211049 / 3211048	DBWH1077	DBPO1077SD	NA	NA	NA	NA
3211065	NA	DBPO1065	NA	NA	NA	NA
3211042	NA	DBPO1042	NA	NA	NA	NA

can-am | ski-doo UTV / ATV / SNOWMOBILE

OEM #	DBWH	SEVERE DUTY	BAD ASS	MUD MONSTER	SAND STORM	WORLD'S BEST	WBB RACING SERIES
422280654 / 417300391 / 422280652 / 422280651 / 417300383	NA	NA	DBSD383EX	MMCA383	DBCA383B	WBB383	WBB652RS
417300571 / '551 / '534 / '531 / '425 / '383 / '391 / '377 / '166	NA	NA	DBSD383EX-SNOW	NA	NA	WBB383-SNOW	NA
7159000302 / 422280360 / 422280364 / 715900212 / 422280360 / 715900030	DBWH030	DBCA302SD	DBCA302EX	MMCA302	DBCA302B	WBB302	WBB302RS
417300197	NA	NA	DBSD197EX	NA	NA	NA	NA
7159000024 / 420280280	DBWH024	DBCA024SD	NA	NA	NA	NA	NA
417300067 / 417300127 / 415060300 / 414918200 / 415106300 / 417300585	NA	NA	DBSD067	NA	NA	NA	NA

TEXTRON | ARCTIC CAT UTV / ATV / SNOWMOBILE

OEM #	DBWH	SEVERE DUTY	BAD ASS	SANDSTORM
0823-529	NA	NA	NA	DBTX3529B
0823-497	DBWH497	NA	DBAC497EX	NA
0823-496	DBWH496	NA	DBAC496EX	NA
0823-231	DBWH231	NA	NA	DBAC231B
0823-228	DBWH228	NA	NA	NA
0823-013	DBWH013	DBAC013SD	NA	DBAC013B
0627-111 / 0627-107	NA	NA	DBAC111	NA
0627-112 / 0627-110 / 0627-104	NA	NA	DBTX112EX	NA
0627-084	NA	NA	DBAC084	NA

cont'd DRIVE BELT OEM TO GBOOST INTERCHANGE

Kawasaki UTV / ATV

OEM #	SEVERE DUTY	BAD ASS	WORLD'S BEST
59011-0047	NA	DBKA0047EX	WBB0047
59011-0043	DBWH0043	DBKA0043EX	NA
59011-0040	DBWH0040	DBKA0040EX	NA
59011-0039	DBWH0039	NA	NA
59011-0031	DBWH0031	NA	NA
59011-0019 / 59011-0003	DBWH0019	NA	NA

YAMAHA UTV / ATV / SNOWMOBILE

OEM #	SEVERE DUTY	BAD ASS
8JP-17641-00-00	NA	DBYA8JPEX
5B4-17641-00 / 5KM-17641-01 / 3B4-17641-00 / 28P-17641-00	DBWH5B4	DBYA5B4EX
2MB-E7641-00 / 1XD-17641-00	DBWH1XD	DBYA1XDEX
8DN-17641 / 89L-17641 / 87X-17641 / 8CH-17641 / 8CJ-17641	NA	DBYA8DN

CFMOTO UTV / ATV

OEM #	DBWH	BAD ASS
0800-055000-0001	DBWH800	DBCF800EX
0180-055000-0001	DBWH180	DBCF180EX
OJWA-055000	DBWH055	DBCF055EX

JOHN DEERE UTV

OEM #	DBWH
M168196 / M176776	DBWH8196
M158189 / M173005 / M174096	DBWH8190
M150046	DBWH5046

KYMCO UTV / ATV

OEM #	DBWH	BAD ASS
23100-LDB5-E00	DBWHLDB5	DBKYLDB5EX
23100-KHE7-90B	DBWHKHE7	DBKYKEH7EX
23100-PWB1-900	DBWHPWB1	DBKYPW1EX

Dealers: Check out our website or call for bulk pack pricing.

SCOOTER BELTS

continued SCOOTER BELTS

- All belts are certified to be within .020 of OEM required manufacturing spec. Most replacement belts vary up to 1/2" in length. Longer belts affect the operation of the clutches and create inconsistencies in shifting. This also can cause excessive wear on the clutches.
- Belts come in sleeve with belt listing on back.
- All GBoost belts are Kevlar® (aramid fiber).
- All GBoost belts are made in the USA.
- Genuine Bando Belts are made in Japan by the world's largest scooter belt manufacturer and are OEM on most brands of scooters.



HONDA

YEAR	FITMENT	OEM#	BANDO#	PRICE	GBOOST#	PRICE
2002-2013	SILVERWING 600 (FSC600)	23100-MCT-003			DBHOMCT	\$108.95
2014-2016	FORZA — All Models	23100-KTW-90 (BANDO)			DBHOKTW	TBA
2014	NSS 300 A / AC	23100-K04-931			DBHOK04	TBA
2001-2007	REFLEX 250 (NSS 250)	23100-KFG-641	DBHOKFGB	\$59.95	DBHOKFG	\$50.95
2001-2007	FORESIGHT 250	23100-KFG-641	DBHOKFGB	\$59.95	DBHOKFG	\$50.95
1986-2007	ELITE 250 (CH250A)	23100-KM1-671	DBHOKM1B	\$58.95	DBHOKM1	\$48.95
1986-2007	HELIX 250 (CN250)	23100-KM1-671	DBHOKM1B	\$58.95	DBHOKM1	\$48.95
2005-2006	BIG RUCKUS 250 (PS250)	23100-KTB-003	DBHOKTBB	\$53.95		
2015-2020	PCX150 / PCX150AC	23100-K36-J01			DBHOK36	TBA
2010	SH 150	23100-KGG-911	DBHOKGGB	\$42.95		
2010	ELITE 110 (NHX110 A)	23100-GFM-901	DBHOGFMB	\$35.95		
1985-2007	ELITE 80 (CH80 A / C)	23100-GE1-711	DBHOGE1B	\$31.95	DBHOGE1	\$36.95
2016-2020	METROPOLITAN 50 (NCW50AC)	23100-GGZ-J01			DBHOGGZ	TBA
2013-2015	METROPOLITAN 50 (NCH50)	23100-GFC-901			DBHOGFC	\$30.95
2002-2009	METROPOLITAN 50 (CHF50 A / P / S)	23100-GET-003	DBHOGETB	\$27.95	DBHOGET	\$31.95
2003-2020	RUKUS 50 (NPS 50 A / S)	23100-GEZ-003	DBHOGEZB	\$29.95	DBHOGEZ	\$36.95
1987-2001	ELITE 50 (SA50)	23100-GG2-751	DBHOGG2B	\$23.95	DBHOGG2	\$24.95
1985	NB50	23100-GN2-003				

YAMAHA

YEAR	FITMENT	OEM#	BANDO#	PRICE	GBOOST#	PRICE
2018	X-MAX	B74-E7641-00-00			TBA	TBA
2015-2020	S-MAX	1DK-E7641-00-00			DBYA1DK	TBA
2017-2020	ZUMA 125	2JS-E7641-10-00			DBYA2JS	TBA
2006-2018	VINO CLASSIC	5ST-E7641-00-00	DBYA5STB	\$38.95	DBYA5ST	\$49.95
2012-2020	ZUMA 50	3B3-E7641-00	DBYA3B3B	\$30.95	DBYA3B3	\$36.95
2015	YW	3B3-E7641-00	DBYA3B3B	\$30.95	DBYA3B3	\$36.95
2007-2011	C3	3B3-E7641-00	DBYA3B3B	\$30.95	DBYA3B3	\$36.95
2006-2014	ZUMA CLASSIC 50 (XC50X / R / S)	5ST-E7641-00	DBYA5STB	\$38.95	DBYA5ST	\$49.95
2008-2011	ZUMA 50	3AA-17641-00	DBYA3AAB	\$24.95	DBYA3AA	\$30.95
2001-2005	ZUMA 50	3AA-17641-00	DBYA3AAB	\$24.95	DBYA3AA	\$30.95
1997-1999	ZUMA 50	3AA-17641-00	DBYA3AAB	\$24.95	DBYA3AA	\$30.95
1989-1990	ZUMA 50	3AA-17641-00	DBYA3AAB	\$24.95	DBYA3AA	\$30.95
1997-2001	ZUMA II 50cc	3AA-17641-00	DBYA3AAB	\$24.95	DBYA3AA	\$30.95
1990-2011	NEOS / SPY / AEROX / BUMP / BWS 50cc	3AA-17641-00	DBYA3AAB	\$24.95	DBYA3AA	\$30.95
2001-2005	VINO 50	3WF-17641-00			DBYA3WF	\$29.95
2001-2005	VINO CLASSIC 50 (YJ50)	3WF-17641-00			DBYA3WF	\$29.95
1992-2001	JOG 50cc (CY50)	3KJ-17641-00	DBYA3KJB	\$28.95	DBYA3KJ	\$28.95
2006-2009	VINO 125 (YJ125)	5NW-E7641-00	DBYA5NWB	\$38.95	DBYA5NW	\$45.95
2009-2015	ZUMA 125 (YW125)	5S9-E7641-00	DBYA5S9B	\$42.95	DBYA5S9	\$46.95
2004-2005	VINO 125 (YJ125)	4CW-17641-02-00			TBA	TBA
2001-2007	CYGNUS 125	4CW-17641-02-00			TBA	TBA
1985-2000	RIVA 125 (XC125)	50W-17641-01-00			DBYA50W	\$43.95
2006-2008	MORPHUS 250 (CP250X / XL)	1B7-17641-00			DBYA1B7	\$43.95
2005-2014	MAJESTY 400 (YP400)	5RU-17641-00			DBYA5RU	\$79.95
2009-2011	T-MAX 500 (XP500)	5VU-17641-00	DBYA5VUB	\$199.95		

SUZUKI

YEAR	FITMENT	OEM#	BANDO#	PRICE	GBOOST#	PRICE
2003-2006	BERGMAN 400	27601-15F10			TBA	TBA
2007-2016	BERGMAN 400	27601-05H00	DBSU05HB	\$199.95		

Dealers: Check out our website or call for bulk pack pricing.

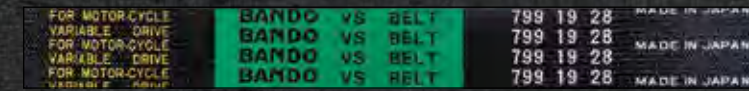
KYMCO

YEAR	FITMENT	OEM#	BANDO#	PRICE	GBOOST#	PRICE
All Years	50cc PEOPLE / LIKE / SUPER 8 / AGILITY / COBRA / STING / YUP / SUPER 9	23100-KEB7-900 / 23100-KEB7-9000	DBKYKEBB	\$37.95	DBKYKEB	\$37.95
All Years	ZX 50	23100-KXCX-900 / 23100-KCX-9000	DBKYKCB	\$30.95	DBKYKCB	\$32.95
All Years	50cc SENTO / FILLY / SPRINTER	23100-GAK-901 / 23100-GKAK-901	DBKYGAKB	\$25.95	DBKYGAK	\$32.95
All Years	PEOPLE 125 / 150 — AGILITY 125	23100-KEC4-900	DBKYKECB	\$45.95	DBKYKEC	\$38.95
All Years	SUPER 8 130	23100-KEC4-900	DBKYKECB	\$45.95	DBKYKEC	\$38.95
All Years	SUPER 8 150X	23100-KEC4-C00			TBA	TBA
All Years	CAMPAGNO 110	23100-LKC6-900			TBA	TBA
All Years	LIKE 150i EBS	23100-LFB6-900			TBA	TBA
2010–2011	PEOPLE S 200	23100-LCD4-E0A	DBKYLADB	\$45.95		
All Years	PEOPLE GTI 200	23100-LGF9-E0B			TBA	TBA
2010–2011	LIKE 200	23100-LCD4-E0A	DBKYLADB	\$45.95		
All Years	BET 250	23100-KHE7-9000	DBKYKHEB	\$69.95		
All Years	WIN 250	23100-KHE7-9000	DBKYKHEB	\$69.95		
All Years	GRAND VISTA 250	23100-KHE7-9000	DBKYKHEB	\$69.95		
All Years	PEOPLE 250	23100-LLJ3-E00	DBKYLLJB	\$71.95		
All Years	PEOPLE S 250	23100-LLJ3-E00	DBKYLLJB	\$71.95		
All Years	EXCITING R 250	23100-LLJ3-E00	DBKYLLJB	\$71.95		
All Years	PEOPLE GTI 300	23100-LEA7-E01	DBKYLEAB	\$54.95		
All Years	X-TOWN 300i ABS	23100-LFG2-C00	TBA	TBA	TBA	TBA
All Years	EXCITING 400	23100-LKF5-E02	TBA	TBA	TBA	TBA
All Years	EXCITING 500	23100-LBA2-E00	TBA	TBA	TBA	TBA

Dealers: Check out our website or call for bulk pack pricing.



- Genuine Bando Belts are made in Japan.
- Bando is the world's largest scooter belt manufacturer and is OEM on most brands.



MISCELLANEOUS FITMENTS

BRAND	YEAR	FITMENT	SIZE	BANDO	GBOOST
DIAMO	2004–2008	Tracer 150	835-20-30B	\$42.95	
GENUINE SCOOTER	2006–2012	Buddy 125 / 150	743-20-30B	\$39.95	
HYOSUNG	2004–2011	Sense / Prima / Rally 50cc	669-18-30B	\$25.95	
HYOSUNG	2004–2011	Sense / Prima / Rally 50cc	669-18-30K		\$32.95
ROKETA	All Years	Bahama / Boca / Maui / Lamfda / Sicily 50cc	743-20-30B	\$39.95	
SCHWINN	All Years	Hope / Laguna / Sport / Newport / Valo 50cc	669-18-30B	\$35.95	
SCHWINN	All Years	Hope / Laguna / Sport / Newport / Valo 50cc	669-18-30K		\$32.95
SUNI	All Years	Adventure / Cozumel	835-20-30B	\$42.95	
SUNI	All Years	Elite	669-18-30B	\$35.95	
SUNI	All Years	Elite	669-18-30K		\$32.95
TANK SPORTS	2005–2010	Urban Touring / Executive / Sporty / Courier / Viaggio	835-20-30B	\$42.95	
TANK SPORTS	2005–2010	Urban 50 / Classi / Sporty / Econo	669-18-30B	\$35.95	
TANK SPORTS	2005–2010	Urban 50 / Classi / Sporty / Econo	669-18-30K		\$32.95
TNG / TBG	2006–2011	Milano / Venice / LS / SS 50cc	669-18-30B	\$35.95	
TNG / TBG	2006–2011	Milano / Venice / LS / SS 50cc	669-18-30K		\$32.95
TNG / TBG	2005–2011	Baja / GS / LowBoy / Milano / Volare 150cc	835-20-30B	\$42.95	
UNITED MOTORS	2005–2010	Matrix / II	835-20-30B	\$42.95	
VENTO	2002–2007	Phantom / Phantera 150cc	835-20-30B	\$42.95	
VESPA	2004–2012	LXV 150 / LX 150	DBKYLEAB	\$54.95	

UTV DRIVE & DRIVEN CLUTCHES

POLARIS

- Drive Clutches DO NOT include Weights, Drive Spring or Limiter Washer.
- HD Driven Clutches DO NOT include Helix or Spring.

Note: Stock spring and helix will not fit if using our Severe Duty Driven clutch to replace OEM B.O.S.S. Clutch. Please call for more info.



940961



YEAR	FITMENT	DRIVE#	PRICE	SEVERE DUTY DRIVEN#	PRICE
2019–2021	RZR XP 1000 / XP-4 / HIGH LIFTER	DCP03317	CALL	940961	\$379.95
2016–2018	RZR XP 1000 / XP-4 / HIGH LIFTER	DCP03068	CALL	940961	\$379.95
2014–2015	RZR XP 1000 / XP-4 / HIGH LIFTER	DCP03068	CALL	940960	\$299.95
2017–2020	RZR 1000 S	DCP03272	CALL	940961	\$379.95
2016	RZR 1000 S	DCP03068	CALL	940961	\$379.95
2019–2020	RZR 1000 S-4 (Crew)	DCP03320	CALL	940961	\$379.95
2017–2020	RZR 900 S	DCP03283	CALL	940961	\$379.95
2017	RZR 900 S-4	DCP03130	CALL	940961	\$379.95
2016	RZR 900 S / RZR 900 S-4	DCP03130	CALL	940961	\$379.95
2015	RZR 900 S / RZR 900 S-4	DCP03130	CALL	940958	\$299.95
2014	RZR 900 S / RZR 900 S-4	DCP03112	CALL	940957	\$299.95
2018–2020	RZR 900 Trail / XC 50"–55"	DCP03283	CALL	940961	\$379.95
2016–2017	RZR 900 Trail / XC 50"–55" w/EBS	DCP03283	CALL	940961	\$379.95
2016–2017	RZR 900 Trail / XC 50"–55" non-EBS	DCP03130	CALL	940961	\$379.95
2015	RZR 900 Trail / XC 50"–55" w/EBS	DCP03181	CALL	940958	\$299.95
2015	RZR 900 Trail / XC 50"–55" non-EBS	DCP03130	CALL	940958	\$299.95
2015	RZR XP-4 900	DCP03130	CALL	940958	\$299.95
2014	RZR XP 900	DCP02971	CALL	940957	\$299.95
2014	RZR XP-4 900	DCP03112	CALL	940957	\$299.95
2013	RZR 900 XP / RZR 900 XP-4 after 2/2/13	DCP03112	CALL	940957	\$299.95
2013	RZR 900 XP / RZR 900 XP-4 before 2/1/13	DCP02971	CALL	940957	\$299.95
2013	RZR 900 JAGGED X	DCP03112	CALL	940957	\$299.95
2011–2012	RZR 900 XP / 900 XP-4	DCP02971	CALL	940957	\$299.95

continued UTV DRIVE & DRIVEN CLUTCHES

POLARIS

YEAR	FITMENT	DRIVE#	PRICE	SEVERE DUTY DRIVEN#	PRICE
2013–2014	RZR 800 non-EBS — all models	DCP02996	CALL	930952	\$299.95
2013–2014	RZR 800 w/EBS — all models	DCP02899	CALL	930951	\$299.95
2010–2012	RZR 800 — all models after 1/1/10	DCP02996	CALL	930952	\$299.95
2010	RZR 800 — all models before 12/29/09	DCP02851	CALL	930952	\$299.95
2009	RZR 800 S	DCP02749	CALL	930951	\$299.95
2009	RZR 800 — built after 10/01/08	DCP02743	CALL	930952	\$299.95
2008–2009	RZR 800 — built before 9/30/08	DCP02743	CALL	930951	\$299.95
2013–2021	RZR 570 / RZR 570 S — non-EBS	DCP03255	CALL	940958	\$299.95
2017–2021	RZR 570 / RZR 570 S — w/EBS	DCP03275	CALL	940958	\$299.95
2014–2016	RZR 570 / RZR 570 S — w/EBS	DCP03058	CALL	940958	\$299.95
2013	RZR 570 / RZR 570 S — w/EBS	DCP03058	CALL	940957	\$299.95
2012	RZR 570	DCP03255	CALL	940957	\$299.95
2020–2021	GENERAL XP / GENERAL XP-4	DCP03317	CALL	940961	\$379.95
2020–2021	GENERAL / GENERAL 4	DCP03317	CALL	940961	\$379.95
2017–2019	GENERAL / GENERAL 4	DCP03320	CALL	940961	\$379.95
2016	GENERAL 1000	DCP03272	CALL	940961	\$379.95
2017–2018	RANGER XP 1000 Crew	DCP03317	CALL	940961	\$379.95
2017	RANGER XP 1000 — non-EBS	DCP03317	CALL	940961	\$379.95
2017	RANGER XP 1000 — w/EBS	DCP03320	CALL	940961	\$379.95
2017–2018	RANGER XP 900	DCP03130	CALL	940958	\$299.95
2016	RANGER XP 900 w/EBS after 12/16/15	DCP03181	CALL	940958	\$299.95
2016	RANGER XP 900 w/EBS before 12/15/15	DCP03283	CALL	940958	\$299.95
2016	RANGER XP 900 — non-EBS	DCP03130	CALL	940958	\$299.95
2016–2018	RANGER XP 900 Crew	DCP03130	CALL	940958	\$299.95
2015	RANGER XP 900 — w/EBS	DCP03181	CALL	940958	\$299.95
2015	RANGER XP 900 — non-EBS	DCP03130	CALL	940958	\$299.95
2015	RANGER XP 900 Crew	DCP03193	CALL	940958	\$299.95
2014	RANGER XP 900 — w/EBS	DCP03096	CALL	940958	\$299.95
2014	RANGER XP 900 — non-EBS	DCP03193	CALL	940958	\$299.95
2014	RANGER XP 900 Crew	DCP03193	CALL	940958	\$299.95
2013	RANGER XP 900	DCP03193	CALL	940952	\$299.95

UTV DRIVE & DRIVEN CLUTCHES continued



YEAR	FITMENT	DRIVE#	PRICE	SEVERE DUTY DRIVEN#	PRICE
2011-2014	RANGER 800 Full-Size / Crew / 6x6 w/EBS	DCP02899	CALL	NA	NA
2011-2015	RANGER 800 Full-Size / Crew / 6x6 non-EBS	DCP02996	CALL	NA	NA
2013-2014	RANGER 800 Mid-Size	DCP02996	CALL	NA	NA
2010	RANGER 800 Full-Size – built after 10/01/09	DCP02918	CALL	NA	NA
2010	RANGER 800 Full-Size – built before 9/30/09	DCP02896	CALL	NA	NA
2010	RANGER 800 Crew Full-Size – built after 10/01/09	DCP02996	CALL	NA	NA
2010	RANGER 800 Crew Full-Size – built before 9/30/09	DCP02851	CALL	NA	NA
2008-2009	RANGER 700	DCP02772	CALL	NA	NA
2005-2007	RANGER 700	DCP02522	CALL	NA	NA
2017-2021	RANGER 570 / Crew – Full-Size Base	DCP03255	CALL	940958	\$299.95
2016-2021	RANGER 570 w/EBS Mid-Size / Mid-Size Crew	DCP03275	CALL	940958	\$299.95
2017-2021	RANGER 570 non-EBS Mid-Size / Mid-Size Crew	DCP03255	CALL	940958	\$299.95
2016	RANGER XP 570 / XP Crew	DCP03255	CALL	940958	\$299.95
2015	RANGER 570 w/EBS Mid-Size – after 1/13/15	DCP03275	CALL	940958	\$299.95
2015	RANGER 570 w/EBS Mid-Size – before 1/12/15	DCP03058	CALL	940958	\$299.95
2015	RANGER 570 Mid-Size non-EBS	DCP03255	CALL	940958	\$299.95
2014	RANGER 570 all models	DCP03255	CALL	940958	\$299.95
2017-2021	RANGER 500 4x4 / 2x4 / ETX	DCP03255	CALL	NA	NA
2011-2013	RANGER 500 all models	DCP02965	CALL	NA	NA
2010	RANGER 500 all models	DCP02888	CALL	NA	NA
2007-2009	RANGER 500 all models	DCP02682	CALL	NA	NA
2006	RANGER 500 all models	DCP01976	CALL	NA	NA

DRIVE CLUTCH LIMITER WASHERS

PART #	PRICE
5438963	\$9.95 each
5450265	\$9.95 each

Please call us or check with your local Polaris dealer for correct part # and quantity required.



RHINO ROLLERS



PRODUCT	FITMENT	OEM #	GBOOST #	PRICE
UTV	2020 Polaris RZR PRO XP — P90X-HD Secondary Clutch includes 3 Rollers	NA	RR5B3	\$59.95
UTV / ATV	Replaces Polaris Team Tied Driven Clutch Inner and Outer Small Rollers includes 2 Rollers	5434534	RR1B2	\$29.95
UTV / ATV	Replaces Polaris Square Pucks — 2016-2021 w/B.O.S.S. Secondary Clutch includes 2 Rollers	3514926	RR2B2	\$39.95
SNOW	Replaces Polaris Small Rollers — All 2002-2021 models w/Team Rapid Reaction Secondary Clutches (excludes B.O.S.S. Clutches) includes 2 Rollers	5434534	RR1B2	\$29.95

Please Call or Visit GBoostTechnology.com for Bulk Pack Pricing!



CAN-AM				
YEAR	MODEL	OEM #	GBOOST #	PRICE
2017-2021	MAVERICK X3 / MAX / TURBO R / RR Includes 3 Rhino Rollers	420629211 / 417127016	RR3B3	\$59.95
	Includes Extreme Rhino Rollers (Race Application)	420629211 / 417127016	RR3EXB	\$89.95
2018-2021	MAVERICK TRAIL / SPORT 1000 / 800R Includes 3 Rhino Rollers	420629211 / 417127016	RR3B3	\$59.95
	Includes Extreme Rhino Rollers (Race Application)	420629211 / 417127016	RR3EXB	\$89.95
2018	MAVERICK X3 900 H.O. Includes 3 Rhino Rollers	420629211 / 417127016	RR3B3	\$59.95
	Includes Extreme Rhino Rollers (Race Application)	420629211 / 417127016	RR3EXB	\$89.95
2015-2017	MAVERICK 1000 TURBO XDS-DPS / MAX Includes 2 Rhino Rollers	420629211 / 417127016	RR4B2	\$39.95
	Includes 2 Extreme Rhino Rollers (Race Application)	420629211 / 417127016	RR4EXB	\$69.95
2020-2021	DEFENDER HD10 / MAX Includes 3 Rollers	420629211 / 417127016	RR3B3	\$59.95
	Includes Extreme Rhino Rollers (Race Application)	420629211 / 417127016	RR3EXB	\$89.95
2016-2019	DEFENDER HD10 / MAX Includes 2 Rollers	420629211 / 417127016	RR4B2	\$39.95
	Includes 2 Extreme Rhino Rollers (Race Application)	420629211 / 417127016	RR4EXB	\$69.95
2016-2021	DEFENDER HD8 / MAX Includes 2 Rollers	420629211 / 417127016	RR4B2	\$39.95
	Includes 2 Extreme Rhino Rollers (Race Application)	420629211 / 417127016	RR4EXB	\$69.95
SKI-DOO				
2008-2021	All Models with Roller Secondary Clutch (excludes 550f / 330f models with CVTECH Drive Clutch) Includes 2 Rhino Rollers	417127016	RR4B2	\$39.95
	Includes 2 Extreme Rhino Rollers (Race Application)	417127016	RR4EXB	\$69.95

Please Call or Visit GBoostTechnology.com for Bulk Pack Pricing!

UTV/ATV HELIX

continued **UTV/ATV HELIX**



YEAR	MODEL	ANGLES	CUT	GBOOST #	PRICE
2020	RZR PRO XP / PRO-4	32-36	Progressive	H90X3236	\$129.95
2018-2020	RANGER 1000 w/P90X Clutch	34-36	Progressive	H90X3436	\$129.95
2019-2020	RANGER 1000 CREW w/P90X Clutch	34-38	Progressive	H90X3438	\$129.95
		34-40	Progressive	H90X3440	\$129.95
		36	Straight	H90X36	\$129.95
		36-38	Progressive	H90X3638	\$129.95
		36-40	Progressive	H90X3640	\$129.95
		36-42	Progressive	H90X3642	\$129.95
		38	Straight	H90X38	\$129.95
		38-40	Progressive	H90X3840	\$129.95
		38-42	Progressive	H90X3842	\$129.95
		40-44	Progressive	H90X4044	\$129.95
YEAR	MODEL	ANGLES	CUT	GBOOST #	PRICE
2017-2020	RZR TURBO XP / RS1 — does not fit 2016 RS1	45	Straight	H17TURBO45	\$124.95
		45-47	Progressive	H17TURBO4547	\$124.95
		45-49	Progressive	H17TURBO4549	\$124.95
		45-51	Progressive	H17TURBO4751	\$124.95
		47	Straight	H17TURBO47	\$124.95
		47-49	Progressive	H17TURBO4749	\$124.95
		49	Straight	H17TURBO49	\$124.95
		49-51	Progressive	H17TURBO4951	\$124.95
		49-53	Progressive	H17TURBO4953	\$124.95
		51-53	Progressive	H17TURBO5153	\$124.95
		51-55	Progressive	H17TURBO5155	\$124.95
		53-55	Progressive	H17TURBO5355	\$124.95



YEAR	MODEL	ANGLES	CUT	GBOOST #	PRICE
2016-2021	RZR 1000 / 900 (non-Turbo)	56-58	Progressive	H20165658	\$129.95
2017-2018	RANGER 1000 (Crew)	56-60	Progressive	H20165660	\$129.95
2017	RANGER 1000 (3 Passenger)	58	Straight	H201658	\$129.95
NOTE: Will not fit SEVERE DUTY DRIVEN CLUTCH part # 940961 / 940960 / 940958 / 940957					
		58-60	Progressive	H20165860	\$129.95
		58-62	Progressive	H20165862	\$129.95
		60	Straight	H201660	\$129.95
		60-64	Progressive	H20166064	\$129.95
		60-66	Progressive	H20166066	\$129.95
		62	Straight	H201662	\$129.95
		62-56	Progressive	H20166256	\$129.95
		62-66	Progressive	H20166266	\$129.95
		62-68	Progressive	H20166268	\$129.95
		64	Straight	H201664	\$129.95
		64-68	Progressive	H20166468	\$129.95
		66-68	Progressive	H20166668	\$129.95
		66-70	Progressive	H20166670	\$129.95

YEAR	MODEL	ANGLES	CUT	GBOOST #	PRICE
2015 & Older	RZR 900 / 1000 (w/EBS)	58	Straight	H201558	\$109.95
2016 & Older	RANGER 900 (w/EBS)	58-62	Progressive	H20155862	\$109.95
NOTE: Fits SEVERE DUTY DRIVEN CLUTCH part # 940961 / 940960 / 940958 / 940957					
		58-64	Progressive	H20155864	\$109.95
		60-64	Progressive	H20156064	\$109.95
		60-66	Progressive	H20156066	\$109.95
		62-66	Progressive	H20156266	\$109.95
		62-68	Progressive	H20156268	\$109.95
		64-68	Progressive	H20156468	\$109.95
		64-70	Progressive	H20156470	\$109.95
		66-68	Progressive	H20156668	\$109.95
		66-70	Progressive	H20156670	\$109.95

YEAR	MODEL	ANGLES	CUT	GBOOST #	PRICE
2016-2017	SPORTSMAN 570 (w/EBS)	60-64	Progressive	H2016ATV6064	\$129.95
	25mm Non-Posted Team Tied clutch	62-66	Progressive	H2016ATV6266	\$129.95
		64-68	Progressive	H2016ATV6468	\$129.95
		66-70	Progressive	H2016ATV6670	\$129.95
		68-70	Progressive	H2016ATV6870	\$129.95
		68-72	Progressive	H2016ATV6872	\$129.95



YEAR	MODEL	ANGLES	CUT	GBOOST #	PRICE
2017-2021	All X3 Models	37-49	Progressive	HX3-3749	\$129.95
2019-2021	MAVERICK SPORT 1000R All Models	44-48	Progressive	HX3-4448	\$129.95
2020-2021	DEFENDER HD10 All Models	46	Straight	HX3-46	\$129.95
		46-50	Progressive	HX3-4650	\$129.95
		48	Straight	HX3-48	\$129.95

UTV/ATV CLUTCH SPRINGS

All springs are within a 5% tolerance of spec promoting consistency when changing to a different application. Most original equipment manufacturers use up to a 15% tolerance because it is cheaper to build.

- All springs are ISO 9001 certified.
- All springs are high chromium silicone / high tensile strength wire ensuring consistency of rate, poundage, and repeatability.
- All springs color coded for reference only. Color is not representative of any OEM spring.



Available for:



POLARIS®

2020-2021	RZR PRO XP TURBO					
Primary - Drive Springs		COLOR	2-1/2"—1-1/4" LOAD	STYLE	PART #	RETAIL
		Pink	110 lbs—230 lbs	Compression	DSP045	\$25.95
		Maroon	110 lbs—260 lbs	Compression	DSP043	\$25.95
		Dk. Blue	130 lbs—230 lbs	Compression	DSP042	\$29.95
		Gray	200 lbs—300 lbs	Compression	DSP041	\$29.95

2020-2021	RZR PRO XP TURBO					
Secondary - Driven Springs		COLOR	2-1/2"—1-1/4" LOAD	STYLE	PART #	RETAIL
		White	155 lbs—335 lbs	Compression	DRP033	\$29.95
		Brown	155 lbs—335 lbs	Compression	DRP029	\$29.95
		White	150 lbs—360 lbs	Compression	DRP025	\$29.95
		Orange	150 lbs—380 lbs	Compression	DRP024	\$29.95
		Yellow	170 lbs—330 lbs	Compression	DRP023	\$29.95
		Red	170 lbs—360 lbs	Compression	DRP022	\$29.95
		Blue	175 lbs—380 lbs	Compression	DRP020	\$29.95
		Purple	190 lbs—430 lbs	Compression	DRP021	\$29.95

2021	RZR TURBO All non-PRO Models					
Primary - Drive Springs		COLOR	2-1/2"—1-1/4" LOAD	STYLE	PART #	RETAIL
		Pink	110 lbs—230 lbs	Compression	DSP045	\$25.95
		Maroon	110 lbs—260 lbs	Compression	DSP043	\$25.95
		Dk Blue	130 lbs—230 lbs	Compression	DSP042	\$29.95
		Gray	200 lbs—300 lbs	Compression	DSP041	\$29.95

continued UTV/ATV CLUTCH SPRINGS

2021	RZR TURBO All non-PRO Models					
Secondary - Driven Springs		COLOR	2-1/2"—1-1/4" LOAD	STYLE	PART #	RETAIL
		White	155 lbs—335 lbs	Compression	DRP033	\$29.95
		Brown	155 lbs—335 lbs	Compression	DRP029	\$29.95
		White	150 lbs—360 lbs	Compression	DRP025	\$29.95
		Orange	150 lbs—380 lbs	Compression	DRP024	\$29.95
		Yellow	170 lbs—330 lbs	Compression	DRP023	\$29.95
		Red	170 lbs—360 lbs	Compression	DRP022	\$29.95
		Blue	175 lbs—380 lbs	Compression	DRP020	\$29.95
		Purple	190 lbs—430 lbs	Compression	DRP021	\$29.95

2016-2020	RZR TURBO and RS1 (excludes 2020 RZR PRO XP)					
Primary - Drive Springs		COLOR	2-1/2"—1-1/4" LOAD	STYLE	PART #	RETAIL
		Teal	40 lbs—200 lbs	Compression	DSP0112	\$24.95
		Gray	40 lbs—250 lbs	Compression	DSP0114	\$24.95
		Blue	50 lbs—225 lbs	Compression	DSP0117	\$24.95

2016-2020	RZR TURBO and RS1 (excludes 2020 RZR PRO XP)					
Secondary - Driven Springs		COLOR	2-1/2"—1-1/4" LOAD	STYLE	PART #	RETAIL
		Purple	150 lbs—265 lbs	Compression	DRP028	\$29.95
		Lime	155 lbs—295 lbs	Compression	DRP027	\$29.95
		Brown	155 lbs—335 lbs	Compression	DRP029	\$29.95

2021	RANGER 1000 (P90X, HD clutches)					
Primary - Drive Springs		COLOR	2-1/2"—1-1/4" LOAD	STYLE	PART #	RETAIL
		Pink	110 lbs—230 lbs	Compression	DSP045	\$29.95
		Maroon	110 lbs—260 lbs	Compression	DSP043	\$29.95
		Dk. Blue	130 lbs—230 lbs	Compression	DSP042	\$25.95
		Gray	200 lbs—300 lbs	Compression	DSP041	\$25.95

2021	RANGER 1000 (P90X, HD clutches)					
Secondary - Driven Springs		COLOR	2-1/2"—1-1/4" LOAD	STYLE	PART #	RETAIL
		White	155 lbs—335 lbs	Compression	DRP033	\$29.95
		Brown	155 lbs—335 lbs	Compression	DRP029	\$29.95
		White	150 lbs—360 lbs	Compression	DRP025	\$29.95
		Orange	150 lbs—380 lbs	Compression	DRP024	\$29.95
		Yellow	170 lbs—330 lbs	Compression	DRP023	\$29.95
		Red	170 lbs—360 lbs	Compression	DRP022	\$29.95
		Blue	175 lbs—380 lbs	Compression	DRP020	\$29.95
		Purple	190 lbs—430 lbs	Compression	DRP021	\$29.95

2018-2020	RANGER 1000 (P90X clutches)					
Primary - Drive Springs		COLOR	2-1/2"—1-1/4" LOAD	STYLE	PART #	RETAIL
		White	75 lbs—155 lbs	Compression	DSP08	\$24.95
		Orange	75 lbs—185 lbs	Compression	DSP05	\$24.95
		Lime	75 lbs—225 lbs	Compression	DSP022	\$24.95
		Almond	80 lbs—165 lbs	Compression	DSP010	\$24.95
		Yellow	100 lbs—200 lbs	Compression	DSP03	\$24.95
		Brown	100 lbs—225 lbs	Compression	DSP016	\$24.95
		Maroon	150 lbs—265 lbs	Compression	DSP013	\$24.95
		Red	155 lbs—295 lbs	Compression	DSP014	\$24.95
		Purple	155 lbs—325 lbs	Compression	DSP021	\$24.95

UTV/ATV CLUTCH SPRINGS *continued*



2018-2020	RANGER 1000 (P90X clutches)					
	Secondary - Driven Springs	COLOR	2-1/2"—1-1/4" LOAD	STYLE	PART #	RETAIL
		Purple	150 lbs—265 lbs	Compression	DRPO28	\$29.95
		Lime	155 lbs—295 lbs	Compression	DRPO27	\$29.95
		White	155 lbs—335 lbs	Compression	DRPO7	\$29.95
		White	150 lbs—360 lbs	Compression	DRPO25	\$29.95
		Orange	150 lbs—380 lbs	Compression	DRPO24	\$29.95
		Yellow	170 lbs—330 lbs	Compression	DRPO23	\$29.95
		Red	170 lbs—360 lbs	Compression	DRPO22	\$29.95
		Blue	175 lbs—380 lbs	Compression	DRPO20	\$29.95
		Purple	190 lbs—430 lbs	Compression	DRPO21	\$29.95
All Years	RZR / GENERAL / RANGER / SPORTSMAN (excludes Turbos / RS1 / P90X clutch)					
	Primary - Drive Springs	COLOR	2-1/2"—1-1/4" LOAD	STYLE	PART #	RETAIL
		White	75 lbs—155 lbs	Compression	DSP08	\$24.95
		Orange	75 lbs—185 lbs	Compression	DSP05	\$24.95
		Lime	75 lbs—225 lbs	Compression	DSP022	\$24.95
		Almond	80 lbs—165 lbs	Compression	DSP010	\$24.95
		Yellow	100 lbs—200 lbs	Compression	DSP03	\$24.95
		Brown	100 lbs—225 lbs	Compression	DSP016	\$24.95
2016-2021	RZR / GENERAL / RANGER w/B.O.S.S. clutch (excludes Turbos / RS1 / 2019 Rangers)					
	Secondary - Driven Springs	COLOR	2-1/2"—1-1/4" LOAD	STYLE	PART #	RETAIL
		Brown	100 lbs—225 lbs	Compression	DRPO5	\$24.95
		Maroon	150 lbs—265 lbs	Compression	DRPO16	\$24.95
		Red	155 lbs—295 lbs	Compression	DRPO3	\$24.95
		Purple	155 lbs—325 lbs	Compression	DRPO13	\$24.95
2014-2021	RZR / RANGER w/fixed Helix clutch / non-EBS (excludes Turbos / RS1 / 2018-19 Ranger w/P90X clutch / 2013-2014 Ranger 800 & RZR 800 models)					
	Secondary - Driven Springs	COLOR	2-1/2"—1-1/4" LOAD	STYLE	PART #	RETAIL
		Brown	100 lbs—225 lbs	Compression	DRPO5	\$24.95
		Maroon	150 lbs—265 lbs	Compression	DRPO16	\$24.95
		Red	155 lbs—295 lbs	Compression	DRPO3	\$24.95
		Purple	155 lbs—325 lbs	Compression	DRPO13	\$24.95
2016 & Prior	RZR / RANGER w/Team Tied Secondary Clutch					
	Secondary - Driven Springs	COLOR	2-1/2"—1-1/4" LOAD	STYLE	PART #	RETAIL
		Blue	120 lbs—225 lbs	Compression	DRPO4	\$24.95
		Dk. Blue	130 lbs—230 lbs	Compression	DRPO14	\$24.95
		Purple	150 lbs—260 lbs	Compression	DRPO15	\$24.95
		Dk. Green	175 lbs—275 lbs	Compression	DRPO17	\$29.95
		Gray	200 lbs—300 lbs	Compression	DRPO1	\$29.95
		Almond	235 lbs—350 lbs	Compression	DRPO19	\$29.95
		Lime Green	235 lbs—380 lbs	Compression	DRPO8	\$29.95
2014-2020	w/Severe Duty Driven Clutches (940961 / 940960 / 940958 / 940957 / 930952 / 930951)					
	Secondary - Driven Springs	COLOR	2-1/2"—1-1/4" LOAD	STYLE	PART #	RETAIL
		Blue	120 lbs—225 lbs	Compression	DRPO4	\$24.95
		Dk. Blue	130 lbs—230 lbs	Compression	DRPO14	\$24.95
		Purple	150 lbs—260 lbs	Compression	DRPO15	\$24.95
		Dk. Green	175 lbs—275 lbs	Compression	DRPO17	\$29.95
		Gray	200 lbs—300 lbs	Compression	DRPO1	\$29.95
		Almond	235 lbs—350 lbs	Compression	DRPO19	\$29.95
		Lime Green	235 lbs—380 lbs	Compression	DRPO8	\$29.95

continued UTV/ATV CLUTCH SPRINGS



2017-2021	MAVERICK X3					
	Primary - Drive Springs	COLOR	2-1/2"—1-1/4" LOAD	STYLE	PART #	RETAIL
		White	125 lbs—230 lbs	Compression	DSCA01	\$24.95
		Blue	125 lbs—255 lbs	Compression	DSCA02	\$24.95
		Red	125 lbs—280 lbs	Compression	DSCA04	\$24.95
		Purple	125 lbs—312 lbs	Compression	DSCA05	\$24.95
		Teal	170 lbs—312 lbs	Compression	DSCA03	\$24.95
2017-2021	MAVERICK X3					
	Secondary - Driven Springs	COLOR	2-1/2"—1-1/4" LOAD	STYLE	PART #	RETAIL
		Red	195 lbs—285 lbs	Compression	DRCA4	\$29.95
		Orange	235 lbs—350 lbs	Compression	DRCA3	\$29.95
		White	240 lbs—490 lbs	Compression	DRCA8	\$29.95
		Maroon	250 lbs—385 lbs	Compression	DRCA7	\$29.95
		Pink	250 lbs—425 lbs	Compression	DRCA6	\$29.95
		Yellow	250 lbs—465 lbs	Compression	DRCA5	\$29.95
		Lime	295 lbs—446 lbs	Compression	DRCA9	\$29.95
2018-2021	MAVERICK TRAIL / SPORT 1000 / 800 EFI					
	Primary - Drive Springs	COLOR	2-1/2"—1-1/4" LOAD	STYLE	PART #	RETAIL
		White	125 lbs—230 lbs	Compression	DSCA01	\$24.95
		Blue	125 lbs—255 lbs	Compression	DSCA02	\$24.95
		Red	125 lbs—280 lbs	Compression	DSCA04	\$24.95
		Purple	125 lbs—312 lbs	Compression	DSCA05	\$24.95
		Teal	170 lbs—312 lbs	Compression	DSCA03	\$24.95
2018-2021	MAVERICK TRAIL / SPORT 1000 / 800 EFI					
	Secondary - Driven Springs	COLOR	2-1/2"—1-1/4" LOAD	STYLE	PART #	RETAIL
		Red	195 lbs—285 lbs	Compression	DRCA4	\$29.95
		Orange	235 lbs—350 lbs	Compression	DRCA3	\$29.95
		White	240 lbs—490 lbs	Compression	DRCA8	\$29.95
		Maroon	250 lbs—385 lbs	Compression	DRCA7	\$29.95
		Pink	250 lbs—425 lbs	Compression	DRCA6	\$29.95
		Yellow	250 lbs—465 lbs	Compression	DRCA5	\$29.95
		Lime	295 lbs—446 lbs	Compression	DRCA9	\$29.95

UTV/ATV CLUTCH SPRINGS *continued*

can-am

2017-2021	DEFENDER HD8 / HD10					
Primary - Drive Springs		COLOR	2-1/2" — 1-1/4" LOAD	STYLE	PART #	RETAIL
		White	125 lbs—230 lbs	Compression	DSCA01	\$24.95
		Blue	125 lbs—255 lbs	Compression	DSCA02	\$24.95
		Red	125 lbs—280 lbs	Compression	DSCA04	\$24.95
		Purple	125 lbs—312 lbs	Compression	DSCA05	\$24.95
		Teal	170 lbs—312 lbs	Compression	DSCA03	\$24.95
2017-2021	DEFENDER HD8 / HD10					
Secondary - Driven Springs		COLOR	2-1/2" — 1-1/4" LOAD	STYLE	PART #	RETAIL
		Red	195 lbs—285 lbs	Compression	DRCA4	\$29.95
		Orange	235 lbs—350 lbs	Compression	DRCA3	\$29.95
		White	240 lbs—490 lbs	Compression	DRCA8	\$29.95
		Maroon	250 lbs—385 lbs	Compression	DRCA7	\$29.95
		Pink	250 lbs—425 lbs	Compression	DRCA6	\$29.95
		Yellow	250 lbs—465 lbs	Compression	DRCA5	\$29.95
		Lime	195 lbs—466 lbs	Compression	DRCA9	\$29.95

TEXTRON

2018-2021	WILDCAT XX					
Primary - Drive Springs		COLOR	2-1/2" — 1-1/4" LOAD	STYLE	PART #	RETAIL
		Lime	75 lbs—225 lbs	Compression	DSTX2	\$24.95
		Yellow	100 lbs—200 lbs	Compression	DSTX3	\$24.95
		Brown	100 lbs—225 lbs	Compression	DSTX4	\$24.95
		White	125 lbs—230 lbs	Compression	DSTX5	\$24.95
		Blue	125 lbs—255 lbs	Compression	DSTX6	\$24.95
		Maroon	150 lbs—265 lbs	Compression	DSTX7	\$24.95
		Red	155 lbs—295 lbs	Compression	DSTX8	\$24.95
		Purple	155 lbs—325 lbs	Compression	DSTX9	\$24.95
2018-2021	WILDCAT XX					
Secondary - Driven Springs		COLOR	2-1/2" — 1-1/4" LOAD	STYLE	PART #	RETAIL
		Blue	120 lbs—225 lbs	Compression	DRTX1	\$24.95
		Dk Blue	130 lbs—230 lbs	Compression	DRTX2	\$24.95
		Purple	150 lbs—260 lbs	Compression	DRTX3	\$24.95
		Red	195 lbs—285 lbs	Compression	DRTX4	\$29.95
		Orange	235 lbs—350 lbs	Compression	DRTX7	\$29.95
		Maroon	250 lbs—385 lbs	Compression	DRTX8	\$29.95

DRIVE CLUTCH ONE-WAY BEARING KIT

can-am



CBCA2377

YEAR	FITMENT	PART NUMBER	PRICE
	DRIVE CLUTCH ONE-WAY BEARING KIT <i>Includes 2 roller bearings, retaining clip, 2 springs, and 2 spring sleeves</i>	CBCA2377	\$39.95
2011-2020	1000 COMMANDER STD / LTD / DPS / XT / XTP		
2014-2020	1000 COMMANDER MAX STD / XTP / XT / DPS / LTD		
2011-2020	800 COMMANDER STD / DPS / XT / XTP / LTD		
2016-2020	800 COMMANDER MAX / DPS		
2015-2017	1000 MAVERICK TURBO / XDS / XRS		
2015-2017	1000 MAVERICK MAX TURBO / XDS / XRS		
2013-2018	1000 MAVERICK STD / XC / XDS / XMR / XRS / XXC		
2014-2018	1000 MAVERICK MAX STD / XC / XXC / XDS / XMR / XRS		
2012-2021	1000 OUTLANDER DPS / XT / XMR / XTP / 6X6		
2013-2021	1000 OUTLANDER MAX / LTD / XT / XTP		
2016-2021	850 OUTLANDER / MAX		
2009-2015	800R OUTLANDER / MAX		
2011-2012	800 OUTLANDER XMR / XXC		
2006-2008	800 OUTLANDER / MAX		
2015	650 OUTLANDER 6X6		
2006-2021	650 OUTLANDER / MAX		
2016-2021	570 OUTLANDER / MAX		
2007-2015	500 OUTLANDER / MAX		
2015-2021	450 OUTLANDER / MAX		
2003-2015	400 OUTLANDER / MAX		
2004-2005	330 OUTLANDER		
2012-2021	1000 RENEGADE XMR / XXC		
2016-2021	850 RENEGADE XXC		
2007-2015	800 RENEGADE X / XXC		
2018-2019	650 RENEGADE		
2016-2021	570 RENEGADE / XMR		
2008-2015	500 RENEGADE / XT		

UTV WEDGE WEIGHTS

- Designed to reduce low-end belt and drive clutch heat.
- Designed to reduce harsh engagement.
- Reduces negative compression load at engagement and through mid-range.
- Bushed-style for quietness / maintenance.
- Machined from billet steel for precision.
- Heat-treated for strength.
- Plated to prevent rusting / corrosion.



YEAR	FITMENT	GRAM	PART NUMBER	PRICE
2020-2021	RZR PRO XP — 3 pack w/bushings			
		98	WPRO-98	\$129.95
		100	WPRO-100	\$129.95
		102	WPRO-102	\$129.95
		104	WPRO-104	\$129.95
		106	WPRO-106	\$129.95
2021	RZR TURBO All Models — 3 pack w/bushings			
		98	WPRO-98	\$129.95
		100	WPRO-100	\$129.95
		102	WPRO-102	\$129.95
		104	WPRO-104	\$129.95
		106	WPRO-106	\$129.95
2017-2020	RZR XP TURBO / TURBO S — 3 pack w/bushings			
		70	W18XX70	\$119.95
		72	W18XX72	\$119.95
		74	W18XX74	\$119.95
		76	W18XX76	\$119.95
		78	W18XX78	\$119.95
		80	W18XX80	\$119.95
		82	W18XX82	\$119.95
		84	W18XX84	\$119.95
		86	W18XX86	\$119.95
		88	W18XX88	\$119.95

continued UTV WEDGE WEIGHTS



YEAR	FITMENT	GRAM	PART NUMBER	PRICE
2016	RZR XP TURBO — 3 pack w/bushings			
		68	WEDGEXX68	\$119.95
		70	WEDGEXX70	\$119.95
		72	WEDGEXX72	\$119.95
		74	WEDGEXX74	\$119.95
		76	WEDGEXX76	\$119.95
		78	WEDGEXX78	\$119.95
		80	WEDGEXX80	\$119.95
		82	WEDGEXX82	\$119.95
		84	WEDGEXX84	\$119.95
		86	WEDGEXX86	\$119.95
		88	WEDGEXX88	\$119.95
2018-2020	RS1 — 3 pack w/bushings			
		72	W18ZZ72	\$119.95
		74	W18ZZ74	\$119.95
		76	W18ZZ76	\$119.95
		78	W18ZZ78	\$119.95
		80	W18ZZ80	\$119.95
		82	W18ZZ82	\$119.95
		84	W18ZZ84	\$119.95
		86	W18ZZ86	\$119.95
2016-2021	GENERAL 1000 All Models — 3 pack w/bushings			
		68	WEDGEZZ68	\$119.95
		70	WEDGEZZ70	\$119.95
		72	WEDGEZZ72	\$119.95
		74	WEDGEZZ74	\$119.95
		76	WEDGEZZ76	\$119.95
		78	WEDGEZZ78	\$119.95
		80	WEDGEZZ80	\$119.95
		82	WEDGEZZ82	\$119.95
		84	WEDGEZZ84	\$119.95
		86	WEDGEZZ86	\$119.95

UTV WEDGE WEIGHTS



YEAR	FITMENT	GRAM	PART NUMBER	PRICE
2011-2021	RZR 1000 / 900 All Models — 3 pack w/bushings			
		68	WEDGEZZ68	\$119.95
		70	WEDGEZZ70	\$119.95
		72	WEDGEZZ72	\$119.95
		74	WEDGEZZ74	\$119.95
		76	WEDGEZZ76	\$119.95
		78	WEDGEZZ78	\$119.95
		80	WEDGEZZ80	\$119.95
		82	WEDGEZZ82	\$119.95
		84	WEDGEZZ84	\$119.95
		86	WEDGEZZ86	\$119.95
YEAR	FITMENT	GRAM	PART NUMBER	PRICE
2019-2021	RANGER XP 1000 Crew Models — 3 pack w/bushings			
2018-2020	RANGER XP 1000 — 3 pack w/bushings			
		TBA	TBA	TBA
		TBA	TBA	TBA
		TBA	TBA	TBA
YEAR	FITMENT	GRAM	PART NUMBER	PRICE
2018	RANGER 1000 / 900 Crew Models — 3 pack w/bushings			
2013-2017	RANGER 1000 / 900 All Models — 3 pack w/bushings			
		70	WEDGEXX70	\$119.95
		72	WEDGEXX72	\$119.95
		74	WEDGEXX74	\$119.95
		76	WEDGEXX76	\$119.95
		78	WEDGEXX78	\$119.95
		80	WEDGEXX80	\$119.95
		82	WEDGEXX82	\$119.95
		84	WEDGEXX84	\$119.95
		86	WEDGEXX86	\$119.95
		88	WEDGEXX88	\$119.95
YEAR	FITMENT	GRAM	PART NUMBER	PRICE
2012-2021	RZR / RANGER 570 All Models — 3 pack w/bushings			
		61	WEDGESS61	\$119.95
		63	WEDGESS63	\$119.95
		65	WEDGESS65	\$119.95
		67	WEDGESS67	\$119.95
YEAR	FITMENT	GRAM	PART NUMBER	PRICE
2014-2020	Sportsman 570 All Models — 3 pack w/bushings			
		61	WEDGESS61	\$119.95
		63	WEDGESS63	\$119.95
		65	WEDGESS65	\$119.95
		67	WEDGESS67	\$119.95

continued UTV WEDGE WEIGHTS



WEDGEX362-370

YEAR	FITMENT	GRAM	PART NUMBER	PRICE
2017-2021	MAVERICK X3 TURBO — 3 Pack w/bushings			
	<i>NOTE: To upgrade all weights, order 2 packages.</i>	56	WEDGEX356	\$119.95
		58	WEDGEX358	\$119.95
		60	WEDGEX360	\$119.95
		62	WEDGEX362	\$119.95
		64	WEDGEX364	\$119.95
		66	WEDGEX366	\$119.95
		68	WEDGEX368	\$119.95
		70	WEDGEX370	\$119.95



YEAR	FITMENT	GRAM	PART NUMBER	PRICE
2018-2021	WILDCAT XX — 3 Pack w/bushings			
		70	WTXX70	\$119.95
		72	WTXX72	\$119.95
		74	WTXX74	\$119.95
		76	WTXX76	\$119.95
		78	WTXX78	\$119.95



NEEDLE BEARING / ONE WAY ROLLER KITS w/washers



- Gboost Bearing Kits include bearing and both washers to replace your worn Drive clutch Bearing as a kit.



CBP06335



YEAR	FITMENT	NEEDLE BEARING KIT	PRICE	ONE WAY ROLLER KIT (EBS)	PRICE
2018-2020	RS1	CBP04890	\$59.95	NA	NA
2016-2020	RZR XP TURBO / XP4 TURBO (excludes PRO models)	CBP04890	\$59.95	NA	NA
2016-2021	GENERAL 1000 All Models	CBP04609	\$59.95	CBP01172	\$59.95
2014-2021	RZR 1000 All Models	CBP04609	\$59.95	CBP01172	\$59.95
2011-2020	RZR 900 All Models	CBP04609	\$59.95	CBP01172	\$59.95
2011-2014	RZR 800 EFI All Models	CBP04609	\$59.95	NA	NA
2010	RZR 800 EFI / S / RZR 4 built after 1/01/10	CBP04609	\$59.95	NA	NA
2010	RZR 800 EFI / S / RZR 4 built before 12/31/09	CBP01185	\$79.95	NA	NA
2009	RZR S 800	NA	NA	NA	NA
2008-2009	RZR 800 EFI	CBP01185	\$79.95	NA	NA
2012-2021	RZR 570 EFI	CBP04609	\$59.95	CBP01172	\$59.95
2018	RANGER CREW 1000 only	CBP04609	\$59.95	NA	NA
2017	RANGER 1000 All Models	CBP04609	\$59.95	CBP01172	\$59.95
2013-2019	RANGER 900 All Models	CBP04609	\$59.95	CBP01172	\$59.95
2015-2016	RANGER 800 6x6	CBP04609	\$59.95	NA	NA
2011-2014	RANGER 800 EFI All Models	CBP04609	\$59.95	CBP01172	\$59.95
2010	RANGER 800 EFI / CREW / 6x6 built after 10/01/09	CBP04609	\$59.95	NA	NA
2010	RANGER 800 EFI / CREW / 6x6 built before 9/30/09	CBP01185	\$79.95	NA	NA
2008-2009	RANGER 700 EFI / XP / CREW / 6x6	CBP01185	\$79.95	NA	NA
2014-2021	RANGER 570 EFI All Models	CBP04609	\$59.95	CBP01172	\$59.95
2011-2013	RANGER 500 EFI / CREW (mid-size) non-EBS	CBP04609	\$59.95	NA	NA
2014-2021	SCRAMBLER 1000 XP non-EBS	CBP04609	\$59.95	NA	NA
2015-2020	SCRAMBLER 850	CBP04609	\$59.95	NA	NA
2016-2020	SPORTSMAN 1000 HIGH LIFTER	CBP04609	\$59.95	NA	NA
2016-2021	SPORTSMAN 850 HIGH LIFTER	CBP04609	\$59.95	NA	NA
2012-2020	SPORTSMAN 850 XP All Models	NA	NA	NA	NA
2011	SPORTSMAN 850 XP All Models — built after 8/24/2010	NA	NA	NA	NA
2011	SPORTSMAN 850 XP All Models — built before 8/23/2010	NA	NA	CBP01172	\$59.95
2005-2014	SPORTSMAN 800 EFI / X2 / TOURING / 6x6 w/EBS	NA	NA	NA	NA
2011-2014	SPORTSMAN 800 EFI non-EBS	CBP04609	\$59.95	NA	NA
2010-2011	SPORTSMAN 800 EFI	CBP01185	\$79.95	NA	NA
2014-2020	SPORTSMAN 570 EFI / EPS / TOURING	CBP04609	\$59.95	CBP01172	\$59.95
2014	SPORTSMAN 570 / ACE / TOURING / X2 / 6x6	NA	NA	CBP01172	\$59.95

NEEDLE BEARING / ONE WAY ROLLER KITS w/washers

YEAR	FITMENT	NEEDLE BEARING KIT	PRICE	ONE WAY ROLLER KIT (EBS)	PRICE
2011	SPORTSMAN 550 All Models — built after 8/24/2010	NA	NA	NA	NA
2011	SPORTSMAN 550 All Models — built before 8/23/2010	NA	NA	CBP01172	\$59.95
2016-2021	SPORTSMAN 450	CBP04609	\$59.95	NA	NA
2016-2019	SPORTSMAN ACE 900	CBP04609	\$59.95	NA	NA
2015-2019	SPORTSMAN ACE 570 EFI	CBP04609	\$59.95	CBP01172	\$59.95
2017-2019	SPORTSMAN ACE 500 SOHC	CBP04609	\$59.95	NA	NA
2014-2015	SPORTSMAN ACE 325 EFI / HD non-EBS	CBP04609	\$59.95	NA	NA

CLUTCH BEARING WASHER KIT



CBP06335

DESCRIPTION	GBOOST #	PRICE
Clutch Bearing Washer Kit — includes 2 washers — Used with Bearing # 3514609 / 1521172 / 1421185	CBP06335	\$19.99
Clutch Bearing Washer Kit — includes 2 washers — Used with Bearing # 3514890)	CBP06893	\$19.99

UTV DEFLECTION / ALIGNMENT SHIMS



DFK1

FIX2

YEAR	FITMENT	DESCRIPTION	GBOOST #	PRICE
2016-2020	RZR TURBO / RS1	Driven Clutch Offset Shim (for Snap Ring style — 3 pack)	FIX2	\$9.00
2012-2015	RZR 900 / 1000	EBS — Driven Clutch Deflection Shim Kit — All models with Posted Team Tied Secondary Clutch	DFK1	\$19.95

STEEL SPIDER INSERT



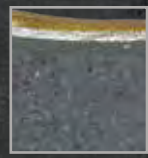
286041

YEAR	FITMENT	DESCRIPTION	OEM #	GBOOST #	PRICE
2012-2015	RZR 1000 / 900	Heavy-Duty Forged Steel Spider Insert for the Rubber Damped TEAM Tied Driven Clutch	5139594	286041	\$39.95

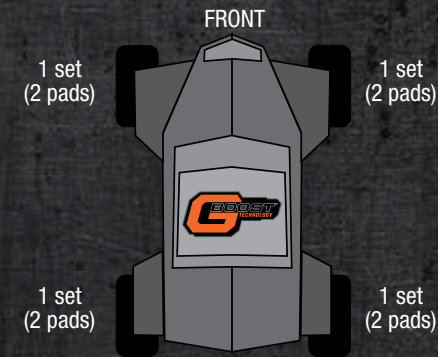
UTV BRAKE PADS

continued UTV BRAKE PADS

- Steel material impregnated in brake lining to assist in stopping.
- Asbestos-free.
- Two-part Redux gluing process stabilizes lining to face.
- Designed for Oversize Tires and/or Severe Duty applications.
- Made in the U.S.A.
- **Sold as 1 pair (2 pads).**



Steel material impregnated in brake lining for added stopping power.



NOTE: Brake pads come in 1 set (2 pads). When replacing, please order 1 set per wheel.

POLARIS

YEAR	FITMENT	OEM	GBOOST #	PRICE
2016–2021	GENERAL 1000 All Models			
	Front (includes 2 Pads)	2205949	BP5949	\$49.95
	Rear (includes 2 Pads)	2203318	BP3318	\$49.95
2020–2021	RANGER 1000 / CREW (SOHC)			
	Front (includes 2 Pads)	2205949	BP5949	\$49.95
	Rear (includes 2 Pads)	2203318	BP3318	\$49.95
2019–2021	RANGER 1000 XP / CREW			
	Front (includes 2 Pads)	2205949	BP5949	\$49.95
	Rear (includes 2 Pads)	2203318	BP3318	\$49.95
2018	RANGER 1000 XP / NSTR / PS			
	Front (includes 2 Pads)	2205949	BP5949	\$49.95
	Rear (includes 2 Pads)	2203318	BP3318	\$49.95
2017–2018	RANGER CREW 1000 / XP / PS / MUD			
	Front (includes 2 Pads)	2205949	BP5949	\$49.95
	Rear (includes 2 Pads)	2205949	BP5949	\$49.95
2017	RANGER 1000 XP			
	Front (includes 2 Pads)	2205949	BP5949	\$49.95
	Rear (includes 2 Pads)	2202413	BP2413	\$49.95
2013–2019	RANGER 900 XP			
	Front (includes 2 Pads)	2205949	BP5949	\$49.95
	Rear (includes 2 Pads)	2202413	BP2413	\$49.95
2014–2019	RANGER 900 CREW XP / 6P			
	Front (includes 2 Pads)	2205949	BP5949	\$49.95
	Rear (includes 2 Pads)	2205949	BP5949	\$49.95

POLARIS

YEAR	FITMENT	OEM	GBOOST #	PRICE
2010–2016	RANGER 800 6x6			
	Front (includes 2 Pads)	2205949	BP5949	\$49.95
	Rear (includes 2 Pads)	2205949	BP5949	\$49.95
2010–2014	RANGER 800 / XP			
	Front (includes 2 Pads)	2205949	BP5949	\$49.95
	Rear (includes 2 Pads)	2202413	BP2413	\$49.95
2010–2014	RANGER 800 CREW			
	Front (includes 2 Pads)	2205949	BP5949	\$49.95
	Rear (includes 2 Pads)	2205949	BP5949	\$49.95
2013–2014	RANGER 800 Mid-Size			
	Front (includes 2 Pads)	2202413	BP2413	\$49.95
	Rear (includes 2 Pads)	2202413	BP2413	\$49.95
2008–2009	RANGER 700 EFI / 6x6			
	Front (includes 2 Pads)	2205949	BP5949	\$49.95
	Rear (includes 2 Pads)	2202413	BP2413	\$49.95
2008–2009	RANGER 700 EFI CREW			
	Front (includes 2 Pads)	2205949	BP5949	\$49.95
	Rear (includes 2 Pads)	2205949	BP5949	\$49.95
2014–2021	RANGER 570 (Mid-Size)			
	Front (includes 2 Pads)	2202413	BP2413	\$49.95
	Rear (includes 2 Pads)	2202413	BP2413	\$49.95
2016–2021	RANGER 570 CREW (Mid-Size)			
	Front (includes 2 Pads)	2205949	BP5949	\$49.95
	Rear (includes 2 Pads)	2202413	BP2413	\$49.95
2015	RANGER 570 CREW (Mid-Size)			
	Front (includes 2 Pads)	2202413	BP2413	\$49.95
	Rear (includes 2 Pads)	2202413	BP2413	\$49.95
2014	RANGER 570 CREW (Mid-Size)			
	Front (includes 2 Pads)	2205949	BP5949	\$49.95
	Rear (includes 2 Pads)	2202413	BP2413	\$49.95
2015–2021	RANGER 570 (Full Size)			
	Front (includes 2 Pads)	2205949	BP5949	\$49.95
	Rear (includes 2 Pads)	2202413	BP2413	\$49.95
2015–2021	RANGER 570 CREW (Full Size)			
	Front (includes 2 Pads)	2205949	BP5949	\$49.95
	Rear (includes 2 Pads)	2205949	BP5949	\$49.95
2017–2021	RANGER 500 (Mid-Size)			
	Front (includes 2 Pads)	2202413	BP2413	\$49.95
	Rear (includes 2 Pads)	2202413	BP2413	\$49.95

UTV BRAKE PADS continued

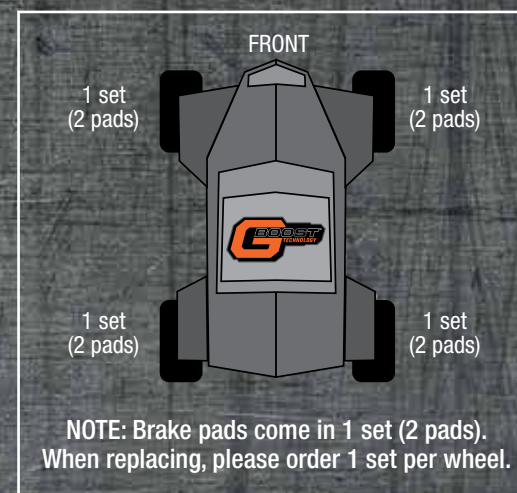


YEAR	FITMENT	OEM	GBOOST #	PRICE
2020-2021	RZR PRO XP TURBO			
	Front (includes 2 Pads)	2208162	TBD	TBD
	Rear (includes 2 Pads)	2208161	TBD	TBD
2020-2021	RZR PRO XP TURBO 4			
	Front (includes 2 Pads)	1913469	TBD	TBD
	Rear (includes 2 Pads)	2208161	TBD	TBD
2018-2021	RZR XP TURBO S			
	Front (includes 2 Pads)	2206231	BP6231	\$49.95
	Rear (includes 2 Pads)	2205949	BP5949	\$49.95
2021	RZR XP TURBO S VELOCITY			
	Front (includes 2 Pads)	2206231	BP6231	\$49.95
	Rear (includes 2 Pads)	2205949	BP5949	\$49.95
2020	RZR XP TURBO S VELOCITY			
	Front (includes 2 Pads)	2207667	TBD	TBD
	Rear (includes 2 Pads)	2205949	BP5949	\$49.95
2019	RZR XP TURBO S VELOCITY			
	Front (includes 2 Pads)	2206231	BP6231	\$49.95
	Rear (includes 2 Pads)	2205949	BP5949	\$49.95
2016-2021	RZR XP TURBO			
	Front (includes 2 Pads)	2206231	BP6231	\$49.95
	Rear (includes 2 Pads)	2205949	BP5949	\$49.95
2021	RZR XP-4 TURBO S / VELOCITY			
	Front (includes 2 Pads)	2207667	TBD	TBD
	Rear (includes 2 Pads)	2208078	TBD	TBD
2019-2020	RZR XP-4 TURBO S / VELOCITY			
	Front (includes 2 Pads)	2207667	TBD	TBD
	Rear (includes 2 Pads)	2205949	BP5949	\$49.95
2016-2021	RZR XP 4 TURBO			
	Front (includes 2 Pads)	2206231	BP6231	\$49.95
	Rear (includes 2 Pads)	2205949	BP5949	\$49.95
2018-2020	RS1			
	Front (includes 2 Pads)	2205949	BP5949	\$49.95
	Rear (includes 2 Pads)	2205949	BP5949	\$49.95
2014-2021	RZR XP 1000 / XP-4			
	Front (includes 2 Pads)	2205949	BP5949	\$49.95
	Rear (includes 2 Pads)	2205949	BP5949	\$49.95
2016-2019	RZR 1000 60 INCH			
	Front (includes 2 Pads)	2206025	BP6025	\$49.95
	Rear (includes 2 Pads)	2203318	BP3318	\$49.95
2015-2020	RZR 900 60 / 55 / 50 INCH			
	Front (includes 2 Pads)	2206025	BP6025	\$49.95
	Rear (includes 2 Pads)	2203318	BP3318	\$49.95
2015-2018	RZR 4 900			
	Front (includes 2 Pads)	2205949	BP5949	\$49.95
	Rear (includes 2 Pads)	2203318	BP3318	\$49.95

continued UTV BRAKE PADS



YEAR	FITMENT	OEM	GBOOST #	PRICE
2011-2014	RZR 900 XP			
	Front (includes 2 Pads)	2205949	BP5949	\$49.95
	Rear (includes 2 Pads)	2202413	BP2413	\$49.95
2012-2014	RZR 4 900 / JAGGED X			
	Front (includes 2 Pads)	2205949	BP5949	\$49.95
	Rear (includes 2 Pads)	2205949	BP5949	\$49.95
2010-2014	RZR 4 800			
	Front (includes 2 Pads)	2205949	BP5949	\$49.95
	Rear (includes 2 Pads)	2202413	BP2413	\$49.95
2008-2014	RZR 800 / S			
	Front (includes 2 Pads)	2203318	BP3318	\$49.95
	Rear (includes 2 Pads)	2202412	BP2412	\$49.95



ATV BRAKE PADS



YEAR	FITMENT	OEM	GBOOST #	PRICE
2008-2021	1000 / 850 / 550 SPORTSMAN / SCRAMBLER / SP / XP (Except High Lifter & "S" Models)			
	Front (includes 2 Pads)	2203628	BP3628	\$49.95
	Rear (includes 2 Pads)	2203628	BP3628	\$49.95

continued UTV BRAKE PADS



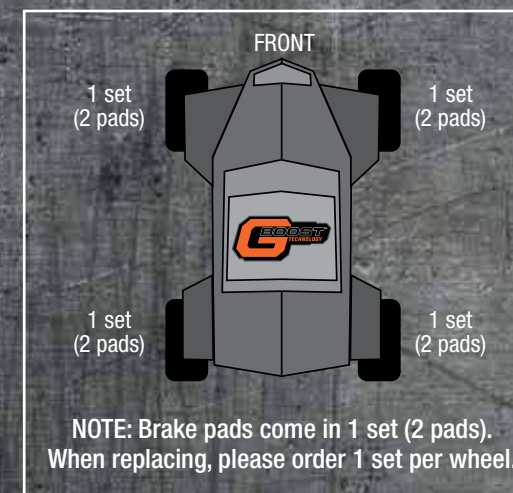
YEAR	FITMENT	OEM	GBOOST #	PRICE
2016-2020	YZX 1000R			
	Front Brake Pads (includes 2 pads)	2HC-25805-00-00 / B5H-25805-00-00	BP2HC805	\$59.95
	Rear Brake Pads (includes 2 pads)	2HC-25805-00-00 / B5H-25805-00-00	BP2HC806	\$59.95
2014-2020	VIKING All Models			
	Front Brake Pad Kit RH	1XD-25805-10-00	BP1XD-1	\$59.95
	Front Brake Pad Kit LH	1XD-25805-00-00	BP1XD	\$59.95
	Rear Brake Pad Kit RH	1XD-25806-10-00	BP1XD6-1	\$59.95
	Rear Brake Pad Kit LH	1XD-25806-00-00	BP1XD6	\$59.95
2016-2020	WOLVERINE All Models			
	Front Brake Pad Kit RH	1XD-25805-10-00	BP1XD-1	\$59.95
	Front Brake Pad Kit LH	1XD-25805-00-00	BP1XD	\$59.95
	Rear Brake Pad Kit RH	1XD-25806-10-00	BP1XD6-1	\$59.95
	Rear Brake Pad Kit LH	1XD-25806-00-00	BP1XD6	\$59.95

UTV BRAKE PADS continued

can-am

YEAR	FITMENT	OEM	GBOOST #	PRICE
2017-2021	MAVERICK X3 TURBO / MAX All Models			
	Front Brake Pad Kit RH	715900380	BP380	\$59.95
	Front Brake Pad Kit LH	715900379	BP379	\$59.95
	Rear Brake Pad Kit RH	715900387	BP380	\$59.95
	Rear Brake Pad Kit LH	715900386	BP379	\$59.95
2019-2021	MAVERICK SPORT 1000 / TRAIL 1000 / TRAIL 800			
	Front Brake Pad Kit RH	715900380	BP380	\$59.95
	Front Brake Pad Kit LH	715900379	BP379	\$59.95
	Rear Brake Pad Kit RH	715900387	BP380	\$59.95
	Rear Brake Pad Kit LH	715900386	BP379	\$59.95
2018	MAVERICK 1000 R			
	Front Brake Pad Kit RH	715500336	BP336	\$59.95
	Front Brake Pad Kit LH	715500335	BP335	\$59.95
	Rear Brake Pad Kit RH	705601147	BP350	\$59.95
	Rear Brake Pad Kit LH	705600398	BP398	\$59.95
2017-2018	MAVERICK MAX 1000 R			
	Front Brake Pad Kit RH	705601150	BP335	\$59.95
	Front Brake Pad Kit LH	705601149	BP1149	\$59.95
	Rear Brake Pad Kit RH	705601147	BP350	\$59.95
	Rear Brake Pad Kit LH	705600398	BP398	\$59.95
2018	MAVERICK TRAIL 1000 EFI / 800R			
	Front Brake Pad Kit RH	715900380	BP380	\$59.95
	Front Brake Pad Kit LH	715900379	BP379	\$59.95
	Rear Brake Pad Kit RH	715900387	BP380	\$59.95
	Rear Brake Pad Kit LH	715900386	BP379	\$59.95
2017	MAVERICK 1000 R / TURBO Package XC / XC DPS / XXC / DPS			
	Front Brake Pad Kit RH	715500336	BP336	\$59.95
	Front Brake Pad Kit LH	715500335	BP335	\$59.95
	Rear Brake Pad Kit RH	705601147	BP350	\$59.95
	Rear Brake Pad Kit LH	705600398	BP398	\$59.95
2017	MAVERICK 1000 R / TURBO Package XDS / XMR / XDS STD			
	Front Brake Pad Kit RH	705601150	BP335	\$59.95
	Front Brake Pad Kit LH	705601149	BP1149	\$59.95
	Rear Brake Pad Kit RH	705601147	BP350	\$59.95
	Rear Brake Pad Kit LH	705600398	BP398	\$59.95
2016	MAVERICK Package STD / DPS / XC / XXC			
	Front Brake Pad Kit RH	715500336	BP336	\$59.95
	Front Brake Pad Kit LH	715500335	BP335	\$59.95
	Rear Brake Pad Kit RH	705601147	BP350	\$59.95
	Rear Brake Pad Kit LH	705600398	BP398	\$59.95
2016	MAVERICK 1000 R / TURBO XDS / XDS DPS / XMR / XDS XRS / XDS STD / MAX DPS			
	Front Brake Pad Kit RH	705601150	BP335	\$59.95
	Front Brake Pad Kit LH	705601149	BP1149	\$59.95
	Rear Brake Pad Kit RH	705601147	BP350	\$59.95
	Rear Brake Pad Kit LH	705600398	BP398	\$59.95

continued UTV BRAKE PADS



can-am

YEAR	FITMENT	OEM	GBOOST #	PRICE
2015	MAVERICK 1000 R / TURBO XDS-DPS			
	Front Brake Pad Kit RH	705601150	BP335	\$59.95
	Front Brake Pad Kit LH	705601149	BP1149	\$59.95
	Rear Brake Pad Kit RH	705601147	BP350	\$59.95
	Rear Brake Pad Kit LH	705600398	BP398	\$59.95
2013-2015	MAVERICK 1000 STD / XRS / XRS-DPS / XXC			
	Front Brake Pad Kit RH	715500336	BP336	\$59.95
	Front Brake Pad Kit LH	715500335	BP335	\$59.95
	Rear Brake Pad Kit RH	705601147	BP350	\$59.95
	Rear Brake Pad Kit LH	705600398	BP398	\$59.95
2014-2015	MAVERICK 1000 XMR			
	Front Brake Pad Kit RH	705601150	BP335	\$59.95
	Front Brake Pad Kit LH	705601149	BP1149	\$59.95
	Rear Brake Pad Kit RH	705601147	BP350	\$59.95
	Rear Brake Pad Kit LH	705600398	BP398	\$59.95
2014-2015	MAVERICK MAX 1000 / TURBO STD / XDS / DPS			
	Front Brake Pad Kit RH	705601150	BP335	\$59.95
	Front Brake Pad Kit LH	705601149	BP1149	\$59.95
	Rear Brake Pad Kit RH	705601147	BP350	\$59.95
	Rear Brake Pad Kit LH	705600398	BP398	\$59.95
2020	COMMANDER MAX 1000R / 800R			
	Front Brake Pad Kit RH	705601150	BP335	\$59.95
	Front Brake Pad Kit LH	705601149	BP1149	\$59.95
	Rear Brake Pad Kit RH	705600350	BP350	\$59.95
	Rear Brake Pad Kit LH	705600350	BP350	\$59.95
2020	COMMANDER 1000R			
	Front Brake Pad Kit RH	705601150	BP335	\$59.95
	Front Brake Pad Kit LH	705601149	BP1149	\$59.95
	Rear Brake Pad Kit RH	715500336	BP336	\$59.95
	Rear Brake Pad Kit LH	NA	NA	NA

UTV BRAKE PADS *continued*

can-am

YEAR	FITMENT	OEM	GBOOST #	PRICE
2020	COMMANDER 800R			
	Front Brake Pad Kit RH	715500336	BP336	\$59.95
	Front Brake Pad Kit LH	715500335	BP335	\$59.95
	Rear Brake Pad Kit RH	715500336	BP336	\$59.95
	Rear Brake Pad Kit LH	NA	NA	NA
2014-2019	COMMANDER MAX 1000R / 800R			
	Front Brake Pad Kit RH	705601150	BP335	\$59.95
	Front Brake Pad Kit LH	705601149	BP1149	\$59.95
	Rear Brake Pad Kit RH	705601147	BP350	\$59.95
	Rear Brake Pad Kit LH	705600398	BP398	\$59.95
2019	COMMANDER 1000R			
	Front Brake Pad Kit RH	705601150	BP335	\$59.95
	Front Brake Pad Kit LH	705601149	BP1149	\$59.95
	Rear Brake Pad Kit RH	715500336	BP336	\$59.95
	Rear Brake Pad Kit LH	705600398	BP398	\$59.95
2019	COMMANDER 800R			
	Front Brake Pad Kit RH	715500336	BP336	\$59.95
	Front Brake Pad Kit LH	715500335	BP335	\$59.95
	Rear Brake Pad Kit RH	715500336	BP336	\$59.95
	Rear Brake Pad Kit LH	705600398	BP398	\$59.95
2011-2018	COMMANDER 1000 / 800R All Models			
	Front Brake Pad Kit RH	715500336	BP336	\$59.95
	Front Brake Pad Kit LH	715500335	BP335	\$59.95
	Rear Brake Pad Kit	715500336	BP336	\$59.95
	Rear Brake Pads for Locking Rear Differential (includes 2 pads)	705600711	BP711	\$59.95
2020-2021	DEFENDER 6X6 HD10			
	Front Brake Pad Kit RH	715900380	BP380	\$59.95
	Front Brake Pad Kit LH	715900379	BP379	\$59.95
	Rear Brake Pad Kit RH	715900387	BP380	\$59.95
	Rear Brake Pad Kit LH	715900386	BP379	\$59.95
2016-2021	DEFENDER HD10 / HD8			
	Front Brake Pad Kit RH	715900380	BP380	\$59.95
	Front Brake Pad Kit LH	715900379	BP379	\$59.95
	Rear Brake Pad Kit RH	715900382	BP382	\$59.95
	Rear Brake Pad Kit LH	715900381	BP381	\$59.95
2017-2021	DEFENDER MAX HD10 / HD8			
	Front Brake Pad Kit RH	715900380	BP380	\$59.95
	Front Brake Pad Kit LH	715900379	BP379	\$59.95
	Rear Brake Pad Kit RH	715900387	BP380	\$59.95
	Rear Brake Pad Kit LH	715900386	BP379	\$59.95
2020-2021	DEFENDER HD5			
	Front Brake Pad Kit RH	715900380	BP380	\$59.95
	Front Brake Pad Kit LH	715900379	BP379	\$59.95
	Rear Brake Pad Kit RH	715900380 / 715900387	BP380	\$59.95
	Rear Brake Pad Kit LH	NA	NA	NA

UTV BRAKE PAD CROSS REFERENCE

BRAND	OEM #	GBOOST #	PRICE
POLARIS	2202412	BP2412	\$49.95
POLARIS	2202413	BP2413	\$49.95
POLARIS	2203318	BP3318	\$49.95
POLARIS	2203628	BP3628	\$49.95
POLARIS	2205949	BP5949	\$49.95
POLARIS	2206025	BP6025	\$49.95
POLARIS	2206231	BP6231	\$49.95
POLARIS	2207667	TBD	TBD
POLARIS	2208161	TBD	TBD
POLARIS	2208162	TBD	TBD
CAN-AM	705600350 / 705601147	BP350	\$59.95
CAN-AM	705600398	BP398	\$59.95
CAN-AM	705600711	BP711	\$59.95
CAN-AM	705601149	BP1149	\$59.95
CAN-AM	705601150 / 715500335	BP335	\$59.95
CAN-AM	715500336	BP336	\$59.95
CAN-AM	715900379 / 715900386	BP379	\$59.95
CAN-AM	715900380 / 715900387	BP380	\$59.95
CAN-AM	715900381	BP381	\$59.95
CAN-AM	715900382	BP382	\$59.95
YAMAHA	1XD-25805-00-00	BP1XD	\$59.95
YAMAHA	1XD-25805-10-00	BP1XD-1	\$59.95
YAMAHA	1XD-25806-00-00	BP1XD6	\$59.95
YAMAHA	1XD-25806-10-00	BP1XD6-1	\$59.95
YAMAHA	B5H-25805-00-00 / 2HC-25805-00-00	BP2HC805	\$59.95
YAMAHA	B5H-25806-00-00 / 2HC-25806-00-00	BP2HC806	\$59.95
ARCTIC CAT / TEXTRON	2502-711 / 2502-375	BP713	\$59.95
ARCTIC CAT / TEXTRON	2502-712 / 2502-375	BP712	\$59.95



UTV/ATV CLUTCH TOOLS

All GBoost pullers start out with annealed, cold-rolled alloy steel. Due to several unique processes, GBoost pullers are superior to any other puller on the market.

- Oil quenched & Tempered.
 - Rockwell hardness between 50–55.
 - Zinc plated to prevent rust and thread deterioration.
 - Machined to exact specifications in the U.S.A.
 - All SD drive clutch pullers have a **FULL LIFETIME WARRANTY**.
- This results in**
- 31% higher tensile strength
 - 19% higher yield strength
 - Stronger than any existing OEM pullers
- All pullers come packaged with complete application data.*

can-am



YEAR	FITMENT	GBOOST #	PRICE
All Years	All X3 Models / MAVERICK TURBO / MAVERICK SPORT / TRAIL 1000		
	Drive Clutch Puller — Lifetime Warranty (works with STM)	DCP19	\$39.95
	Drive Clutch Governor Cup Puller	DCP25	\$129.95
	Drive / Driven Clutch Compression Tool	DCP21	\$89.95
	X3 Secondary Roller Pin Extractor	DCP26	\$99.95
	DCP26 Replacement Tips (quantity 2)	TTP1	\$9.95
All Years	MAVERICK (non-TURBO) / DEFENDER / RENEGADE / COMMANDER / OUTLANDER		
	Drive Clutch Puller — Lifetime Warranty (works with STM)	TOOL31SD	\$39.95
	Drive / Driven Clutch Compression Tool	DCP21	\$89.95
CAN-AM CLUTCH SERVICE TOOL SET			
	Includes: DCP19, TOOL31SD, DCP25, DCP21, DCP26	TOOLSET2	\$323.82

Kawasaki



YEAR	FITMENT	GBOOST #	PRICE
All Years	All BRUTE FORCE 750 / 650 — MULE 3000 — Drive Clutch 570011404		
	Drive Clutch Puller — Lifetime Warranty	TOOL4SD	\$39.95
All Years	TERYX 750 — Drive Clutch 570011711		
	Drive Clutch Puller — Lifetime Warranty	TOOL5SD	\$39.95

continued UTV/ATV CLUTCH TOOLS

YAMAHA



YEAR	FITMENT	GBOOST #	PRICE
All Years	All Models		
	Driven Clutch Belt Removal Tool	TOOL23	\$5.95

BAD BOY / TEXTRON
OFF ROAD



YEAR	FITMENT	GBOOST #	PRICE
All Years	STAMPEDE		
	Drive Clutch Puller — Lifetime Warranty	DCP14	\$49.95
	Drive / Driven Clutch Compression Tool	DCP21	\$89.95
2018–2021	WILDCAT XX		
	Drive Clutch Puller — Lifetime Warranty	DCP15	\$49.95
	Drive / Driven Clutch Compression Tool	DCP21	\$89.95
2010+	ARCTIC CAT		
	Drive Clutch Puller — Lifetime Warranty	DCP15	\$49.95

COMET



YEAR	FITMENT	GBOOST #	PRICE
All Years	Duster Snowmobile Drive Clutch #206094 / 211493 / 212629		
	2-piece Drive Clutch Puller	205838	\$42.95
All Years	Duster Golf Cart Drive		
	Drive Clutch Puller	SGP5	\$39.95

UTV/ATV CLUTCH TOOLS *continued*



YEAR	FITMENT	GBOOST #	PRICE
2020-2021	RZR PRO XP		
	Drive Clutch Puller — Lifetime Warranty	DCP12	\$49.95
	Drive / Driven Clutch Compression Tool	DCP21	\$89.95
2021	RZR XP TURBO All Models		
	Drive Clutch Puller — Lifetime Warranty	DCP12	\$49.95
	Drive / Driven Clutch Compression Tool	DCP21	\$89.95
2016-2020	RZR XP TURBO All Models		
	Drive Clutch Puller — Lifetime Warranty	TOOL3SD	\$49.95
	Drive / Driven Clutch Compression Tool	DCP21	\$89.95
2018-2020	RS1		
	Drive Clutch Puller — Lifetime Warranty	TOOL3SD	\$49.95
	Drive / Driven Clutch Compression Tool	DCP21	\$89.95
2016-2021	RZR 1000 / 900 / ACE 900 All Models		
	Drive Clutch Puller — Lifetime Warranty	TOOL3SD	\$49.95
	Drive / Driven Clutch Compression Tool	DCP23	\$89.95
	Jam Nut Driver	TOOL17	\$49.95
	Drive Clutch Spider Tool	TOOL16	\$49.95
2011-2015	RZR 1000 / 900 All Models		
	Drive Clutch Puller — Lifetime Warranty	TOOL3SD	\$49.95
	Drive / Driven Clutch Compression Tool	DCP21	\$89.95
	Jam Nut Driver	TOOL17	\$49.95
	Drive Clutch Spider Tool	TOOL16	\$49.95
2008-2021	RZR 800 / 570 All Models		
	Drive Clutch Puller — Lifetime Warranty	TOOL2SD	\$39.95
	Drive / Driven Clutch Compression Tool	DCP21	\$89.95
	Drive Clutch Spider Tool	TOOL16	\$49.95
2016-2021	GENERAL 1000 All Models		
	Drive Clutch Puller — Lifetime Warranty	TOOL3SD	\$49.95
	Drive / Driven Clutch Compression Tool	DCP23	\$89.95
	Jam Nut Driver	TOOL17	\$49.95
	Drive Clutch Spider Tool	TOOL16	\$49.95
2020-2021	RANGER 1000 (SOHC)		
	Drive Clutch Puller — Lifetime Warranty	DCP12	\$49.95
	Drive / Driven Clutch Compression Tool	DCP21	\$89.95
2018-2021	RANGER 1000 XP (P90X)		
	Drive Clutch Puller — Lifetime Warranty	DCP12	\$49.95
	Drive / Driven Clutch Compression Tool	DCP21	\$89.95

continued UTV/ATV CLUTCH TOOLS

YEAR	FITMENT	GBOOST #	PRICE
2019-2021	RANGER 1000 XP CREW (P90X)		
	Drive Clutch Puller — Lifetime Warranty	DCP12	\$49.95
	Drive / Driven Clutch Compression Tool	DCP21	\$89.95
2017	RANGER 1000 XP		
	Drive Clutch Puller — Lifetime Warranty	TOOL3SD	\$49.95
	Drive / Driven Clutch Compression Tool	DCP23	\$89.95
	Jam Nut Driver	TOOL17	\$49.95
	Drive Clutch Spider Tool	TOOL16	\$49.95
2017-2018	RANGER 1000 XP CREW		
	Drive Clutch Puller — Lifetime Warranty	TOOL3SD	\$49.95
	Drive / Driven Clutch Compression Tool	DCP23	\$89.95
	Jam Nut Driver	TOOL17	\$49.95
	Drive Clutch Spider Tool	TOOL16	\$49.95
2013-2019	RANGER 900 All Models		
	Drive Clutch Puller — Lifetime Warranty	TOOL3SD	\$49.95
	Drive / Driven Clutch Compression Tool	DCP21	\$89.95
	Jam Nut Driver (2015 and newer)	TOOL17	\$49.95
	Drive Clutch Spider Tool	TOOL16	\$49.95
2009-2021	SPORTSMAN XP 1000 / 850 / 550 All Models		
	Drive Clutch Puller — Lifetime Warranty	TOOL7SD	\$39.95
	Drive / Driven Clutch Compression Tool	DCP21	\$89.95
	Drive Clutch Spider Tool	TOOL16	\$49.95
2009-2021	SCRAMBLER 1000 / 850		
	Drive Clutch Puller — Lifetime Warranty	TOOL7SD	\$39.95
	Drive / Driven Clutch Compression Tool	DCP21	\$89.95
	Drive Clutch Spider Tool	TOOL16	\$49.95
1985-2021	Drive Clutch Puller		
	Fits all Polaris ATVs / UTVs (except RANGER — RZR 1000 / 900 — SPORTSMAN XP Models)	TOOL2SD	\$39.95
	RZR 800 / 570 All Models	TOOL2SD	\$39.95
2014-2021	Jam Nut Driver		
	RZR 1000 / 900 — RANGER 900	TOOL17	\$49.95
1985-2021	Jam Nut Driver		
	Fits P-85 and P-90 clutches found on Polaris ATVs and Snowmobiles — 1985 to present (except 1000 / 900 RZR and RANGER)	TOOL18	\$54.95
All Years	Drive Clutch Spider Tool		
	For Polaris P-85 and P-90 primary clutches on Polaris ATVs, Side-by-Sides and Snowmobiles — 1985 to present	TOOL16	\$49.95
2016-2021	Clutch Compression Tool		
	Fits RANGER & RZR 1000 / 900 Driven Clutch w/B.O.S.S. Driven Clutch (can be used with all Drive Clutches)	DCP23	\$89.95
Thru 2021	Clutch Compression Tool		
	Fits all Polaris ATVs / UTVs Drive and Driven Clutches (except 2016-2021 RANGER & RZR 1000 / 900 w/ B.O.S.S. Driven Clutch)	DCP21	\$89.95
2005 & Up	Snow Driven Clutch Puller		
	TEAM Roller Driven w/splined jackshaft	TOOL22	\$19.95
POLARIS CLUTCH SERVICE TOOL SET			
	Includes: TOOL3SD, DCP12, TOOL2SD, TOOL7SD, DCP21, DCP23, TOOL16, TOOL17, TOOL18	TOOLSET1	\$463.10

GBOOST APPAREL



GBOOST HEAVY-DUTY T-SHIRTS

- 90% Cotton, 10% Polyester.
- Machine wash.
- Taped neck & shoulders for durability.
- Tubular rib collar for better stretch and recovery.
- Feels soft to the touch.
- Black with White graphics or Gray with White graphics.

Available in
S • M • L • XL • XXL • XXXL
Visit GBoostTechnology.com



Brown/Gray

Brown/Orange

Gray/Black

Pink/Black



Gray/Gray

GBOOST LOGO EMBROIDERED CAPS

You'll find a color you like with this **GBoost Cap**. This cap has structured, mid-profile, six-panel with a cotton/polyester front and visor with a mesh backing. Additionally this cap features contrasting logo embroidery and an adjustable snapback.

One size fits all.

Visit GBoostTechnology.com



2020 BAHA 500 PRO UTV FORCED INDUCTION CLASS WINNER



**GBOOST BELTS...
THE ONLY BELT THAT
MONSTER MATT
TRUSTS!**



DRIVE BELT FAILURES



Hour Glassing

DESCRIPTION: A narrow or worn section in center of belt.
CAUSE: When the drive clutch is spinning and the belt remains stationary.

NOT WARRANTIED



Flex Crack

CAUSE: The belt was bent / flexed improperly.

NOT WARRANTIED



Tearing

DESCRIPTION: The drive belt has torn from contacting something sharp in the clutch housing.
CAUSE: Worn or damaged clutches causing the clutches not to shift properly. Excessive use of brakes or jumping. The belt will bow and can catch the inner clutch housing.

NOT WARRANTIED



Broken Belt

CAUSE: Shock loading the belt will cause breakage as shown above. Driving at high speeds for long periods. Excessive engagement RPM. Improper gear ratio, clutch center-to-center distance. Jammed or locked drivetrain.

NOT WARRANTIED



Cord Pop Out

DESCRIPTION: When the center cord separates from belt.
CAUSE: Improper bonding.

WARRANTIED



Glazing

DESCRIPTION: The sides of the belt look shiny and overheated.
CAUSE: Belt slippage, overheating from improper clutching and/or abuse.

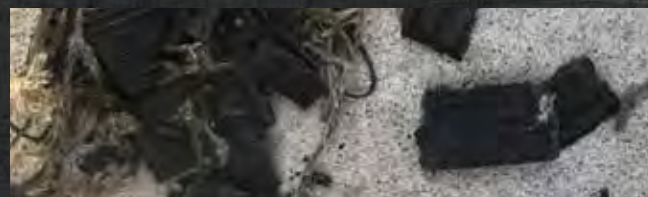
NOT WARRANTIED



Delamination

DESCRIPTION: Separation of the belt layers.
CAUSE: Improper bonding of the belt layers.

WARRANTIED



Disintegration

DESCRIPTION: The drive belt has separated into pieces.
CAUSE: Can be caused by different belt conditions such as hour glassing, glazing, flex cracks or misalignment. Plugged or restricted air intake to clutch housing. Excessive heat build up is the main cause of Disintegration.

NOT WARRANTIED

OUR STORY

Welcome to **GBoost Technology, Inc.** We are excited to offer our line of quality Golf Cart / UTV / ATV Products. It is our goal to become the name you will remember for quality parts, quality service and quality technical support.

The **GBoost** name comes with many years of successful business and racing experience. We designed and manufactured quality clutching products and various hard parts for the Golf Cart and Scooter industry. We are proud to say that we set the standards for aftermarket companies.

GBoost Technology, Inc. plans to provide you with quality product that has been designed and tested by Glenn Erlandson. His knowledge is passed along to you through all our products and the enhancements you will see on your UTV, ATV, and golf cart.

Stop back to our website routinely to check out our new products. We are always developing and expanding our product lines to service you better.

Thank you for your interest in **GBoost Technology's** products. We look forward to passing along our experience and knowledge to you, our valued customer.

GBOOST TECHNOLOGY TERMS AND POLICIES

Satisfaction Guaranteed

We are working hard to become the name you will remember for quality parts, service and technical support. Customer satisfaction is our #1 goal! If you have any questions or concerns regarding your GBoost purchase, please contact customerservice@gboosttechnology.com or call (218) 454-4584 and we would be happy to assist you!

Pricing

Prices shown are suggested retail at the time the catalog was printed. We reserve the right to change prices at any given time without notice. For our most up-to-date pricing, please visit GBoostTechnology.com

Limited Belt Warranty

Our limited belt warranty covers any defects in material or workmanship under normal use during the warranty period.

The warranty period for belts, proven defective because of improper material or workmanship, purchased from GBoost or an authorized dealer is one year from the date of purchase. Shipping charges not included.

NOTE: Visit GBoostTechnology.com for complete warranty guidelines and procedures.

Returns

You may return most new, unopened items within 30 days from purchase date. Returned items must be resalable and may be subject to a 20% restocking fee. Shipping charges are nonrefundable. The customer will be responsible for return shipping cost. Please contact customerservice@gboosttechnology.com or call (218) 454-4584 for further return instructions.

GBoost Technology

7548 Industrial Park Road
Baxter, MN 56425



GBoostTechnology.com | (218) 454-4584
7548 Industrial Park Road | Baxter, MN 56425