

PARTS LIST



2019.04.09

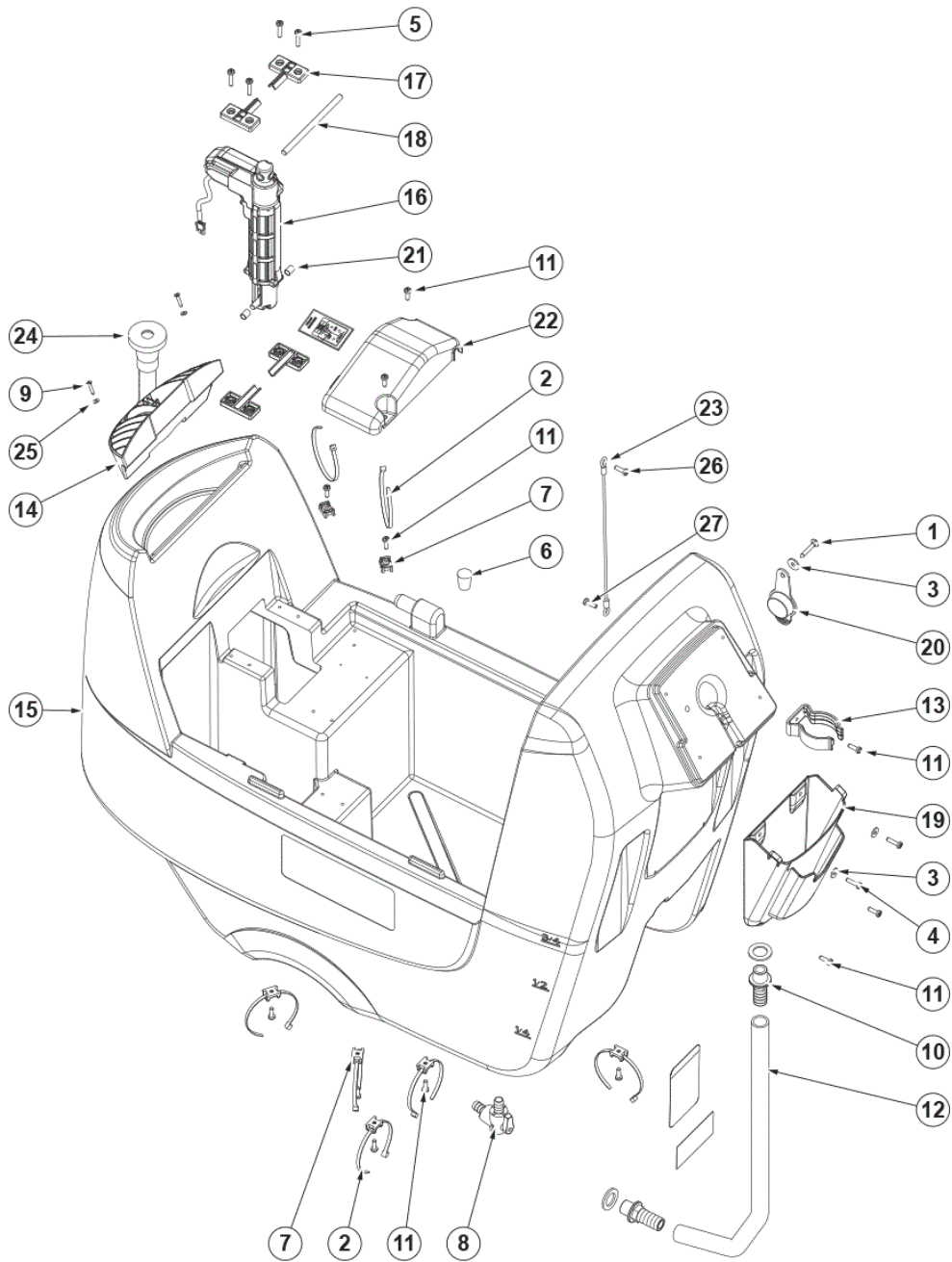
TABLE OF CONTENTS

PL GENERAL VIEW	1
PL SOLUTION TANK	3
PL RECOVERY TANK	5
PL PADDLE AND DASHBOARD-2	7
PL MOTOR DRIVE REV	9
PL REAR WHEELS	11
PL SQUEEGEE SYSTEM	13
PL BATTERY CHARGER	15
PL REV DECK	17
PL ELECTRICAL COMPONENTS	19
ECOFLEX SYSTEM (Models No.: 9087400020, 9087401020, 9087402020)	21
PL ACCESSORIES 1	23
PL ACCESSORIES 2	25
PL ACCESSORIES 3	27
WIRING DIAGRAM (Models No.: 9087400020, 9087401020, 9087402020)	29
PL RECOMMENDED SPARE PARTS	31
PL RECOMMENDED SPARE PARTS	34

Pos.	Artikel-Nr.	Menge	Variante	Notes
1	9100000735	1	DECALS NILFISK SC500 KIT	
2		1	WHEELS REAR-SQUEEGEE ASSEMBLY	[1]
3		1	TANK RECOVERY ASSEMBLY	[2]
4		1	MOTOR DRIVE ASSEMBLY	[3]
5		1	TANK SOLUTION ASSEMBLY	[4]
6		1	SQUEEGEE ASSEMBLY	[5]
7		1	PADDLE ASSEMBLY	[6]
8		1	PANEL CONTROL ASSEMBLY	[7]
9		1	DECK BRUSH ASSEMBLY	[8]
10		1	SYSTEM SOLUTION ASSEMBLY	[9]
11		1	ECOFLEX ASSEMBLY	[10]
12		1	CHARGER BATTERY ASSEMBLY	[11]

Part Notes:

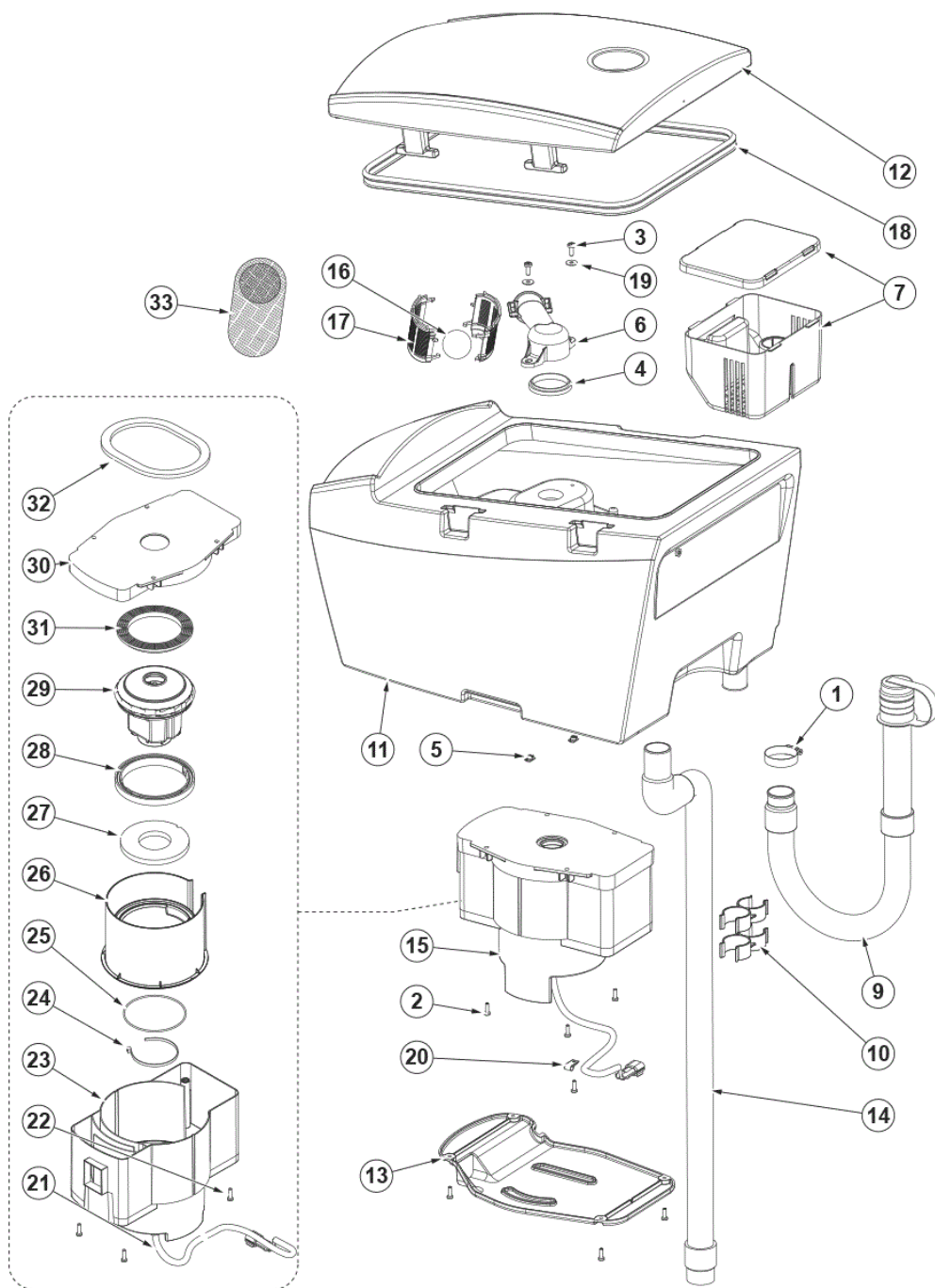
- [1] - REAR WHEELS
- [2] - RECOVERY TANK
- [3] - MOTOR DRIVE
- [4] - SOLUTION TANK
- [5] - SQUEEGEE SYSTEM
- [6] - PADDLE
- [7] - DASHBOARD
- [8] - DISC DECK
- [9] - SOLUTION SYSTEM
- [10] - ECOFLEX SYSTEM
- [11] - BATTERY CHARGER



Pos.	Artikel-Nr.	Menge	Variante	Notes
8	9100000803	1	VALVE ELBOW PKD	
10	9100000574	2	FITTING STRAIGHT G1/2 D.20 KIT	
12	9098446000	1	HOSE SOLUTION	
13	909 6380 000	1	Schlauchklammer BR 601BR 751	
14	9100000899	1	FILTER WATER INLET PKD	
15	9100000804	1	TANK SOLUTION 40 LT GREY SIP	
16	9100000805	1	ACTUATOR LINEAR 24V DC STRK 120MM PKD	[1]
16	9100000806	1	ACTUATOR LINEAR 24V DC STRK 98MM SIP	[2]
19	9100000807	1	BOX F CHARGER CABLE SIP	
20	9100000808	1	RUBBER SOLUTION CAP PKD	
21	9100002105	1	CAP D.9 PLASTIC 10 PCS SET	[3]
22	9100000809	1	COVER PLAST. F DETERGENT SOLU. PUMP SIP	
24	9100000703	1	Füllschlauch	[4]
K1	9100000737	1	ACTUATOR FIXING KIT	[5]
K2	9100000738	1	HARDWARE SOLUTION TANK KIT	[6]
K3	9100000794	1	CABLE SAFETY F TANK KIT	[7]

Part Notes:

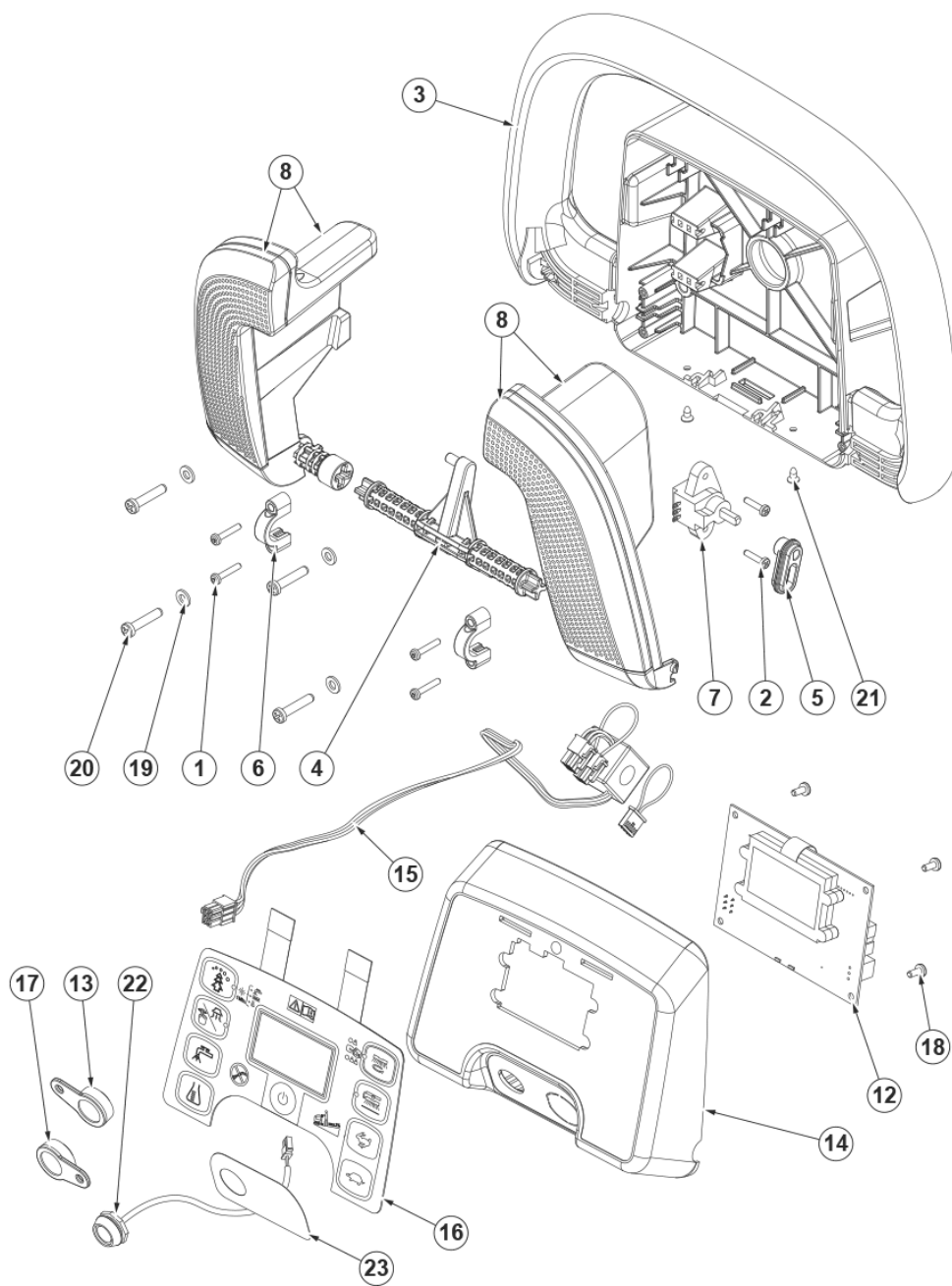
- [1] - For DISC version
- [2] - For REV version
- [3] - SEE TSB-FC-2016-021
- [4] - OPTIONAL - SEE TSB-FC-2016-020
- [5] - NOT SHOWN - Pos. 5-17-18-21
- [6] - NOT SHOWN - Pos. 1-2-3-4-6-7-9-11-25-26-27
- [7] - NOT SHOWN - Pos. 23-26-27



Pos.	Artikel-Nr.	Menge	Variante	Notes
1	9100001348	1	CLAMP 14/32-52 10 PCS SET	
4	9100000928	1	GASKET FLOAT SUPPORT PKD	
7	9100000795	1	TRAY DEBRIS KIT	[1]
9	9100000812	1	HOSE DRAIN BLACK PKD	
10	9100000889	1	CLIP HOSE STOPPING 2 PCS SET	
11	9100000813	1	TANK RECOVERY 40 LT GREY PKD	
12	9100000814	1	COVER TANK GREY PKD	[2]
13	9100000815	1	COVER F VACUUM MOTOR SOUNDPROOFING SIP	
14	9100000816	1	HOSE SUCTION BLACK PKD	
15	9100000904	1	MOTOR VACUUM 24V 280W CPL KIT	
15	9100000491	1	Hochleistungs-Saugmotor 24V, 450W	[3]
16	9100000817	1	BALL FLOATING PKD	
17	9100000818	1	CAGE FLOAT HALF 2 PCS SET	
18	9100000819	1	Dichtung	
21	9100000820	1	HARNES VACUUM MOTOR SIP	
23	9100000821	1	SUPPORT EXT. INSULATION VAC. MOTOR SIP	
26	9100000822	1	SUPPORT INT. INSULATION VAC. MOTOR SIP	
29	9100000823	1	Saugmotor 24V 280W PKD	
30	9100000824	1	SUPPORT UPPER F VAC. MOTOR SOUNDPR. SIP	
33	909 5065 000	1	Filter antischaum	[1]
K1	9100001875	1	SUPPORT FLOAT KIT	[4]
K2	9100000739	1	GASKETS VACUUM MOTOR KIT	[5]
K3	9100000740	1	HARDWARE RECOVERY TANK KIT	[6]

Part Notes:

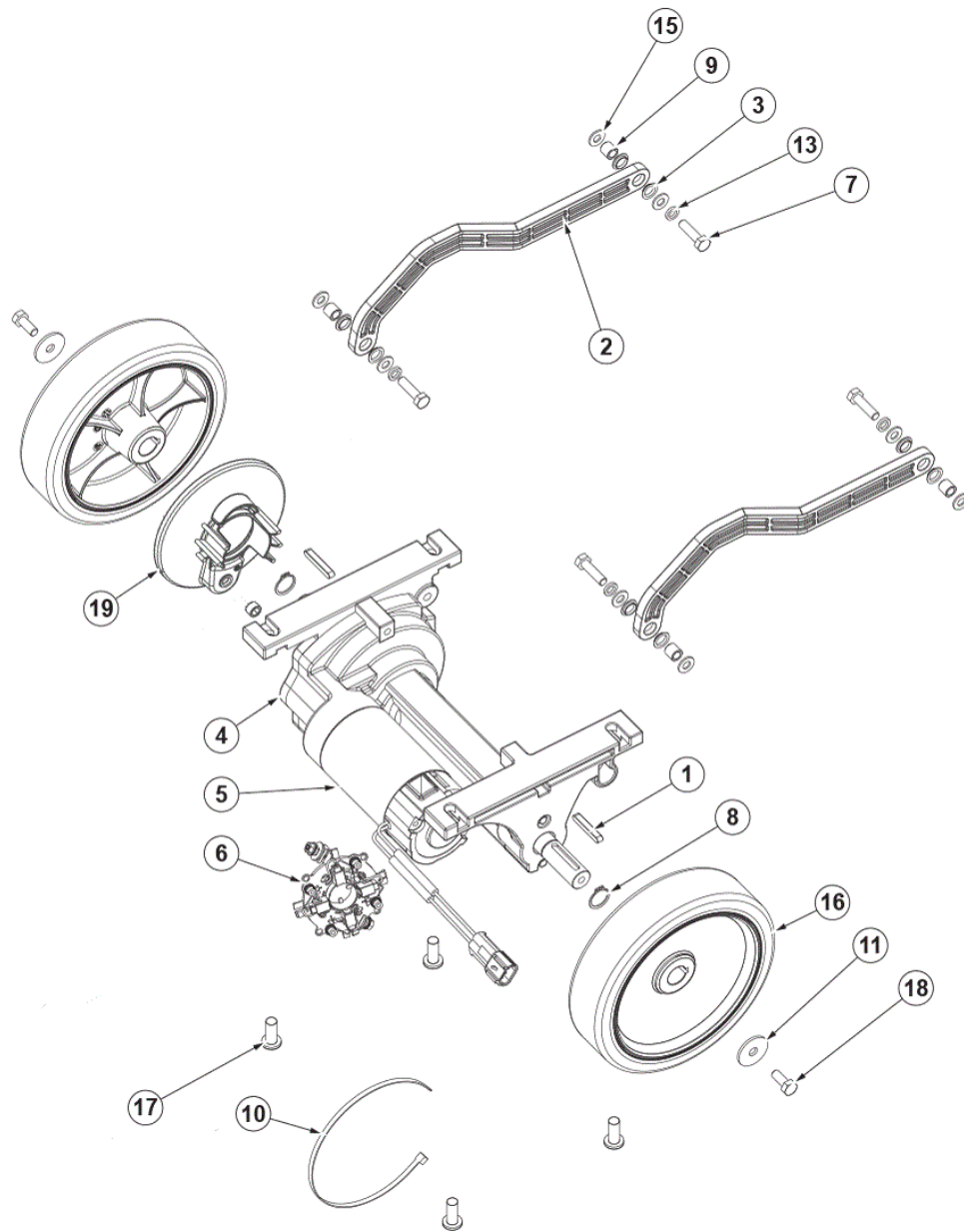
- [1] - OPTIONAL
- [2] - See TSB-FC-2017-043
DE TSB-FC-2017-043 SC500 Schmutzwasser Tankdeckel
- [3] - OPTIONAL - INST. INSTR. 9100000753
- [4] - NOT SHOWN - Pos. 3-4-6-19
- [5] - NOT SHOWN - Pos. 25-27-28-31-32
- [6] - NOT SHOWN - Pos. 1-2-5-20-22-24



Pos.	Artikel-Nr.	Menge	Variante	Notes
3	9100000835	1	HANDLE BAR PKD	
4	9100000836	1	SHAFT LEVERS CONNECTION PKD	
7	9100000837	1	POTENTIOMETER 5K PKD	
8	9100002167	1	LEVERS RT-LT DRIVING ASSEMBLED KIT	
12	9100002391	1	CONTROLLER DISPLAY SIP	
13	56116518	1	SMART KEY-USER	[1]
14	9100002390	1	COVER PLAST. F HANDLE BAR SIP	[2]
15	9100000845	1	HARNES CONTROL PANEL PKD	
16	9100002915	1	CONTROLLER USER INTERFACE MOUNTED SIP	[3]
16	9100002393	1	CONTROLLER USER INTERFACE REV SIP	[4]
17	56116519	1	SMART KEY-SUPERVISOR	[1]
22	56116477	1	IBUTTON-PROBE	
23	9100002399	1	DECAL SMARTKEY AND USB SIP	[2]
K1	9100000745	1	PADDLE AND DASHBOARD FIXING KIT	[5]

Part Notes:

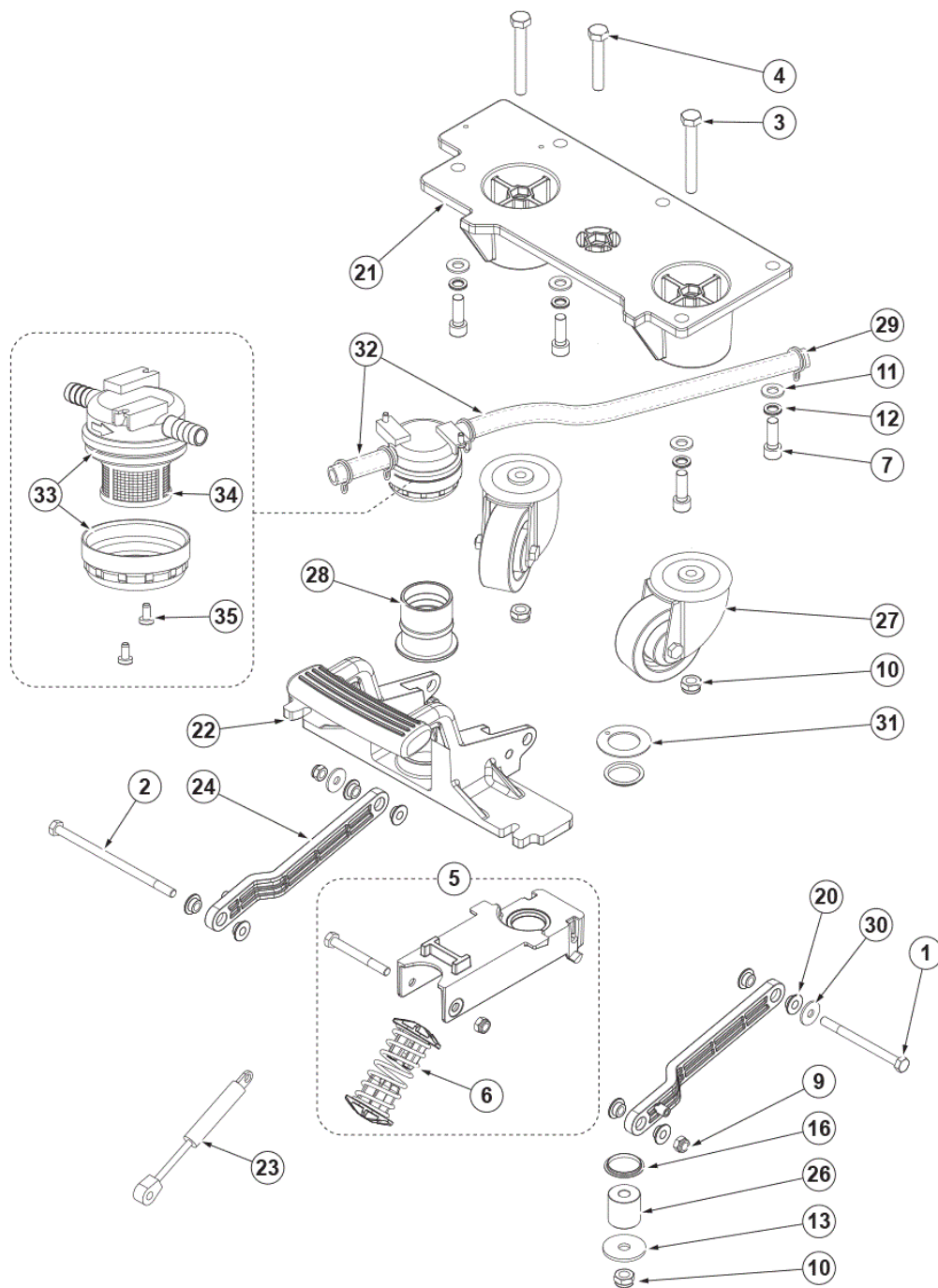
- [1] - OPTIONAL
- [2] - TSB-FC-2018-020
- [3] - Only for SC500 53 B DISC
TSB-FC-2018-020 SC500 control panel
- [4] - Only for SC500 53 B REV
TSB-FC-2018-020 SC500 control panel
- [5] - NOT SHOWN - Pos. 1-2-5-6-18-19-20-21



Pos.	Artikel-Nr.	Menge	Variante	Notes
1	146 0769 000	2	Keil BA 451 6x6x40	
2	9100000825	1	LEVER EXT. FOR DECK LIFTING 2 PCS SET	
4	9100000827	1	MOTOR DRIVE 200W 24V PKD	[1]
5	9100002349	1	MOTOR ELECTRIC 200W 24V KIT	
6	9100000920	1	CARBON BRUSHES W/HOLDER KIT	
16	9100000830	1	WHEEL D.200X50 GREY-BLACK 2 PCS SET	
19	9100002594	1	COVER WHEEL PLASTIC KIT	[1]
K1	9100002080	1	HARDWARE REV EU DRIVE MOTOR KIT	[2]

Part Notes:

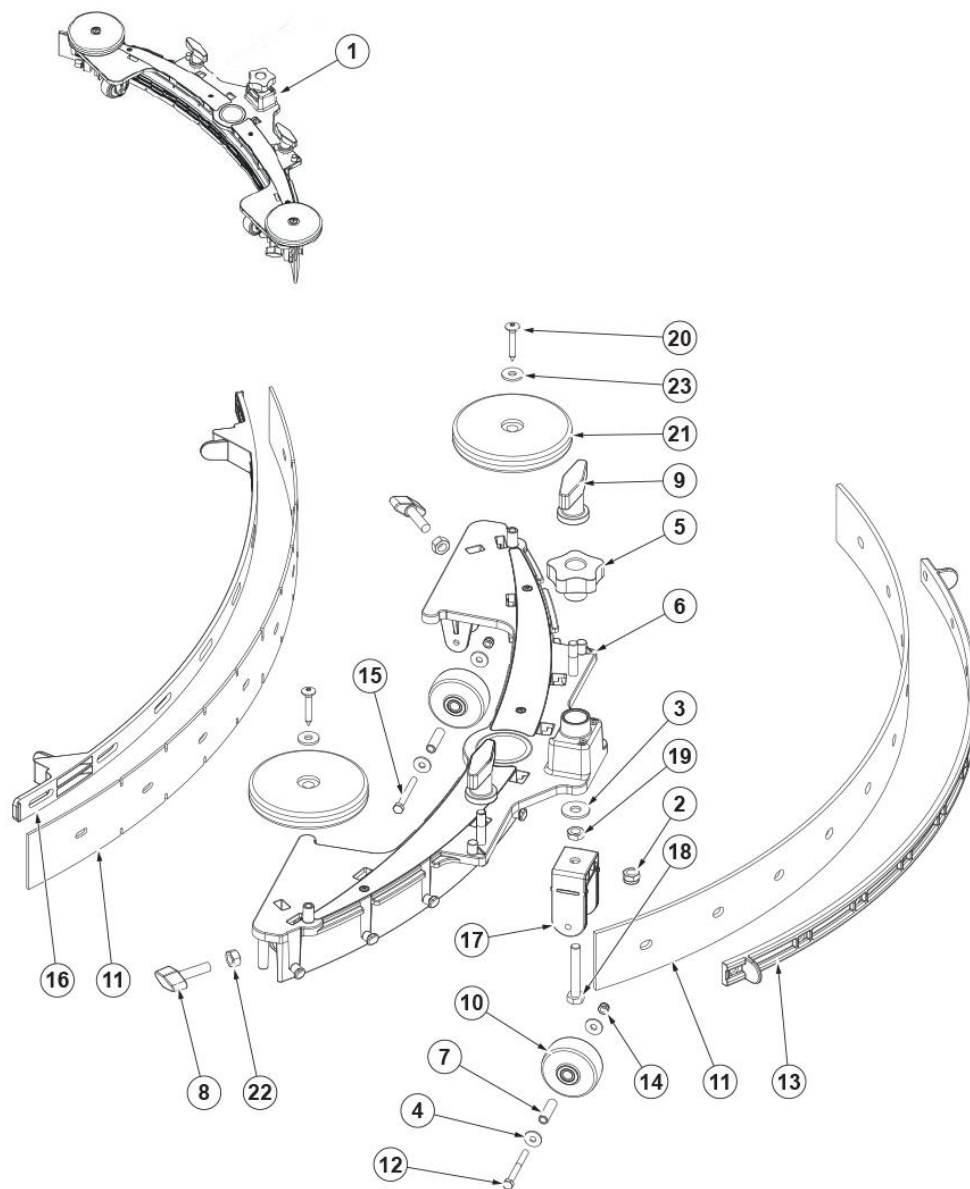
- [1] - TSB-FC-2018-013 SC500_Oil leak from transaxle rev
[2] - NOT SHOWN - Pos. 1-3-7-8-9-10-11-13-15-17-18



Pos.	Artikel-Nr.	Menge	Variante	Notes
5	9100002400	1	SUPPORT UPPER F SQUEEGEE KIT	[1]
6	9100002401	1	SPRING COMPRESSION KIT	
16	9100000902	2	BEARING FLANGE IGLIDUR 2 PCS SET	
21	9100000851	1	SUPPORT REAR WHEELS-SQUEEGEE PKD	
22	9100000853	1	SUPPORT LOWER F SQUEEGEE PKD	
23	9100000855	1	SPRING GAS 30 KG PKD	[2]
24	9100000854	1	LEVER SQUEEGEE LIFT 2 PCS SET	
27	9100000856	1	WHEEL CASTOR D.80 2 PCS SET	
27	9100001581	1	Lenkrollen D.80 SS 2PCS SET	[3]
28	9100002396	1	SLEEVE RUBBER BLACK F SUCTION HOSE SIP	
31	9100000903	1	U-Scheibe GTM 3254-015 PKD	
32	9100000796	1	HOSES SOLUTION SYSTEM KIT	
33	9100000860	1	Wasserfilter	
34	9100000861	1	NET WATER FILTER REINFORCED PKD	
K1	9100000746	1	SUPPORT SQUEEGEE FIXING KIT	[4]

Part Notes:

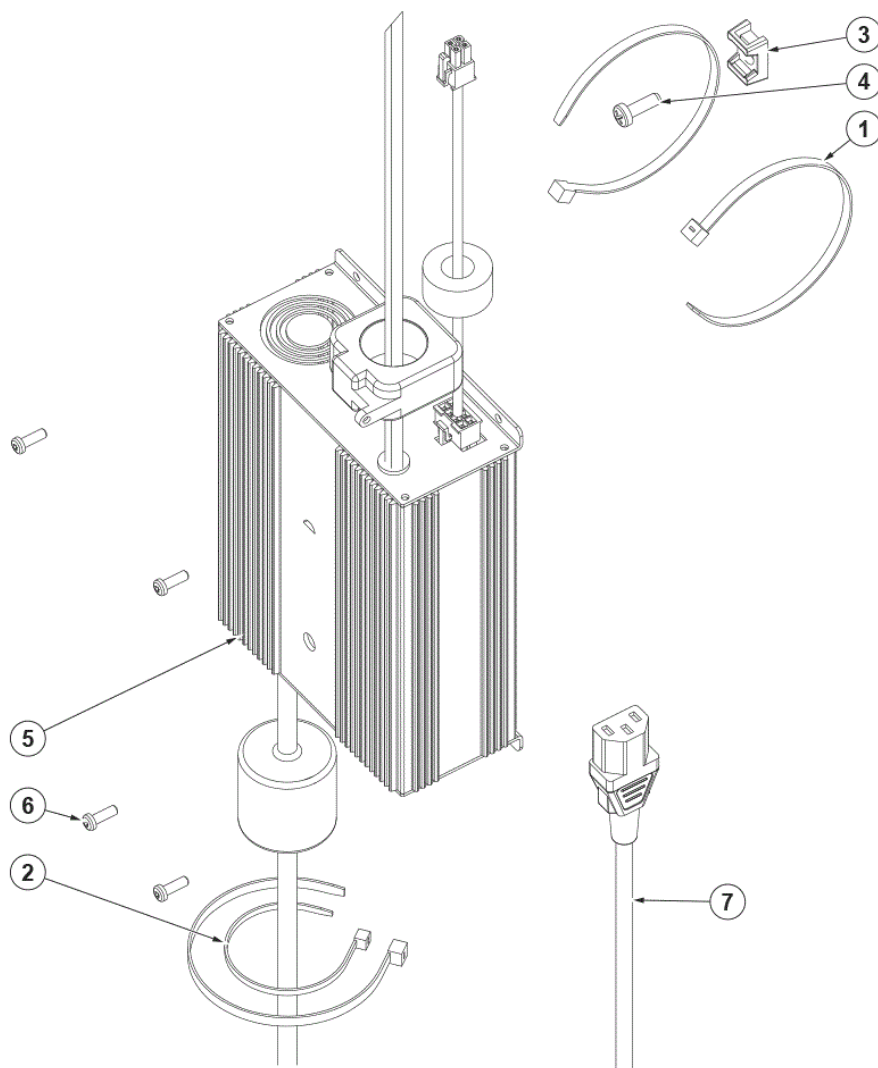
- [1] - SEE INST. INSTR. 9100002404
SEE TSB-FC-2017-067
SEE DE TSB-FC-2017-067 SC500 neue Saugfuss Feder
- [2] - SEE TSB-FC-2016-259
SEE TSB-FC-2017-067
SEE DE TSB-FC-2017-067 SC500 neue Saugfuss Feder
- [3] - OPTIONAL
- [4] - NOT SHOWN - Pos. 1-2-3-4-7-9-10-11-12-13-16-20-26-29-30-31-35



Pos.	Artikel-Nr.	Menge	Variante	Notes
1	9100001366	1	SQUEEGEE NON MARKING 730MM/29 KIT	[1]
1	9100001367	1	SQUEEGEE PU 730MM/29 KIT	[2]
5	9100000862	1	KNOB LOBES M8 FEMALE PKD	
6	9100000747	1	SQUEEGEE 730MM/29 PRE-ASSEMBLED PKD	
7	9100002408	1	BEARING SLEEVE D.5.1X8 H.28.5 3 PCS SET	
8	9100000791	2	KNOB M8X30 THD STUD SS PKD	
9	9097637000	1	Befestigungskit BA 551	
10	9100000559	3	Rad grau D.51	
11	9100000810	1	Sauglippen-Set, Gummi, 740 mm, 29"	[3]
11	9100000490	1	Sauglippen-Set PU Gummi, 740 mm, 29"	[3]
11	9100000060	1	Sauglippen-Set 730 mm, 29", rot	[3]
13	9100000864	1	STRAP ELASTIC F REAR SQUEEGEE BLADE PKD	
16	9100000865	1	STRAP FRONT SQUEEGEE BLADE PKD	
17	9100000866	1	SUPPORT SQUEEGEE WHEEL SIP	
21	9100001816	1	WHEEL BUMPER D.100 PLASTIC 2 PCS SET	
K1	9100000748	1	HARDWARE SQUEEGEE KIT	[4]

Part Notes:

- [1] - ONLY FOR SC500
- [2] - ONLY FOR SC2000 - SCRUBTEC R253 - RA40
- [3] - OPTIONAL
- [4] - NOT SHOWN - Pos. 1-2-3-4-7-12-14-15-18-19-20-22



PL BATTERY CHARGER

SC500I 53R B NIL

2017.11.02

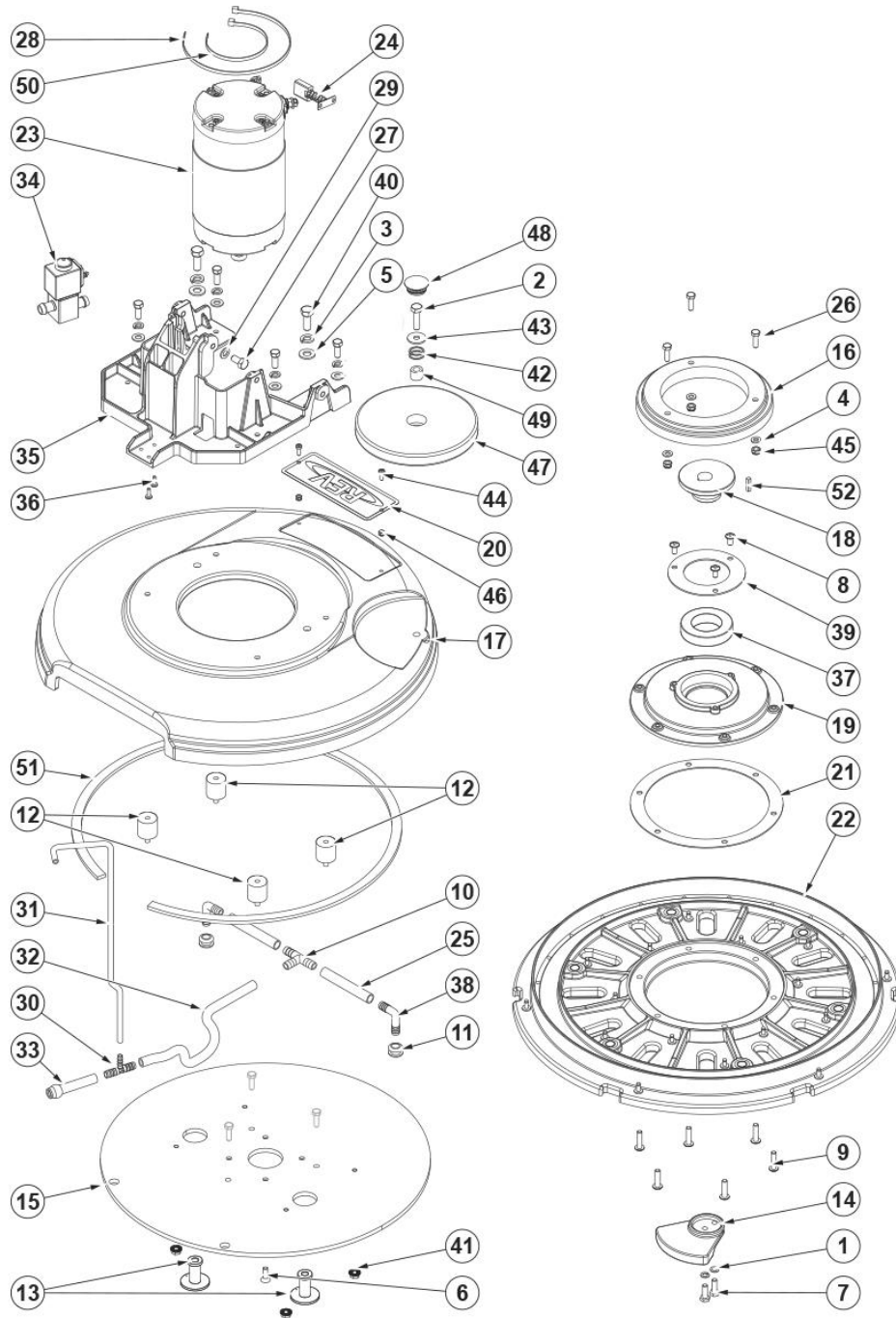
2017.08.24

Pos.	Artikel-Nr.	Menge	Variante	Notes
5	910000888	1	Einbauladegerät 24V 13A 100-230V PKD	[1]
7	910000787	1	CABLE EXTENSION EU PLUG L.2000 PKD	
7	1466318000	1	CABLE EXTENSION UK PLUG L.2000MM SIP	
8	910000829	1	BAND ELASTIC F EXTENSION CABLE PKD	[2]
K1	9099995000	1	Einbauladegerät 24V-13A 100-230V	[3]

Part Notes:

- [1] - SEE TSB-FC-2016-010
- [2] - NOT SHOWN
- [3] - NOT SHOWN - OPTIONAL - INST. INSTR. 910000924- Pos. 1-2-3-4-5-6-7-8

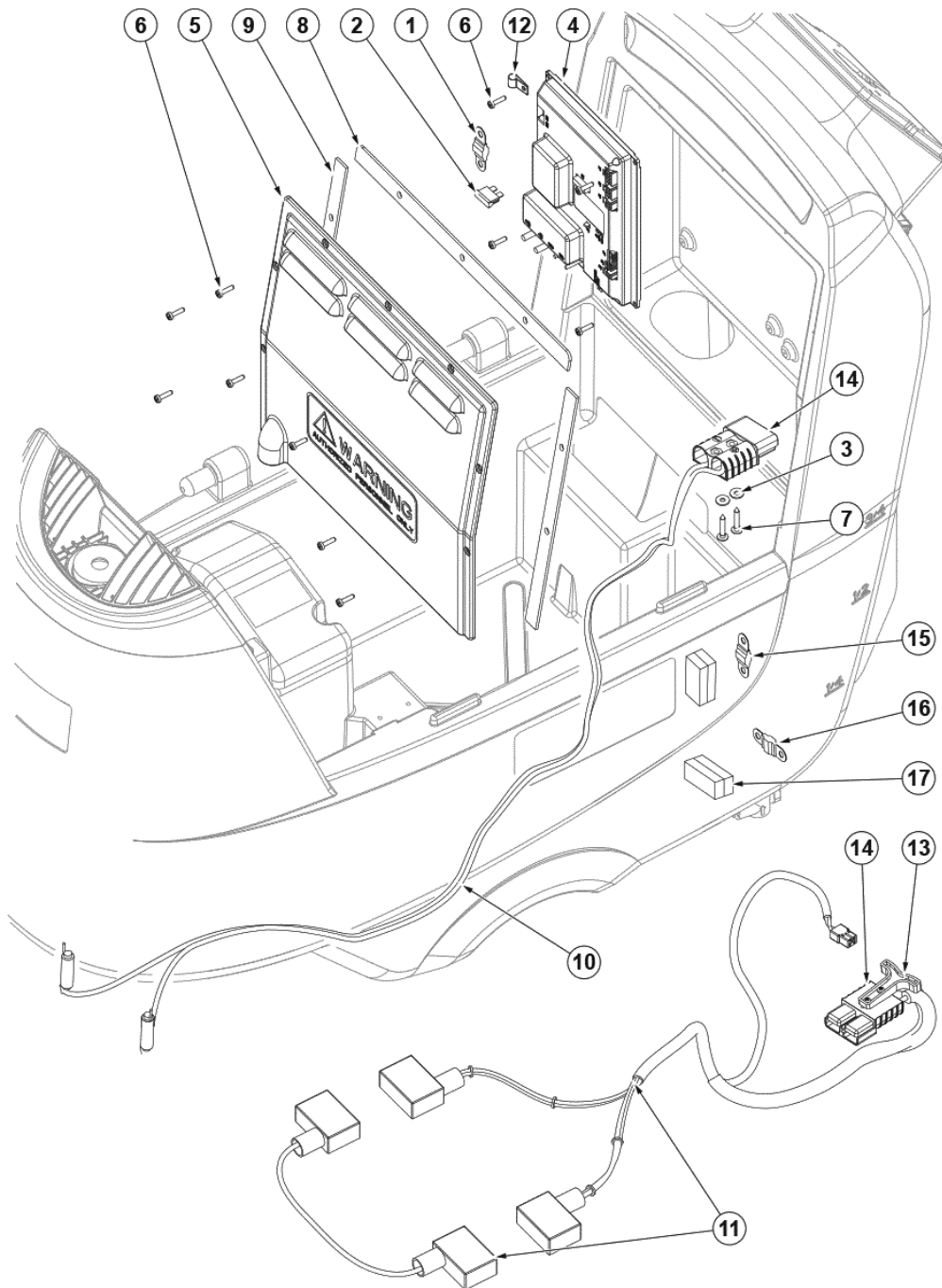
SEE TSB-FC-2016-010



Pos.	Artikel-Nr.	Menge	Variante	Notes
12	56104369	1	ISOLATOR KIT	
13	9098979000	1	KIT-STABILIZER STUD	
14	56390002	1	WEIGHT COUNTER	
15	9100000900	1	PLATE F DECK MOTOR SIP	
17	56390012	1	HOUSING BRUSH	
20	56390037	1	DECAL-REV EMBOSSED	
22	9100002161	1	PAD DRIVER CPL	
23	9100001793	1	MOTOR ELECTRIC 350W 24V KIT	[1]
23	9100001860	1	MOTOR ELECTRIC 350W 24V SIP	[2]
24	9100001283	1	CARBON BRUSHES W/HOLDER SIP	
24	L08603949	1	Kohlenbürsten Kit 4pcs	
24	56412287	1	Kohlenbürstenset m. Federkompl. BA 755/8	[3]
34	9100000870	1	SOLENOID VALVE 24V PKD	
35	9100000876	1	PLATE BRUSH DECK HOLDER SIP	
51	9100000901	1	GASKET ADHESIVE 12X5 L.1090MM SIP	
K1	9100000749	1	STOSSFÄNGER Set D.160 schwarz	[4]
K2	9100000756	1	HARDWARE BRUSH DECK KIT	[5]
K3	9098982000	1	KIT-SPLASH GUARD	[6]
K4	9098984000	1	KIT-ECCENTRIC	[7]
K5	9098983000	1	KIT-DRIVER	[8]
K6	9100000757	1	HOSES BRUSH DECK KIT	[9]

Part Notes:

- [1] - Until S/N 3510163605523
- [2] - Starting from S/N 3510163605524
- [3] - SCOTT MOTORS CO. BLACK (56390072)
- [4] - NOT SHOWN - Pos. 2-42-43-47-48-49
- [5] - NOT SHOWN - Pos. 1-3-5-6-7-9-27-28-29-36-40-41-44-46-50
- [6] - NOT SHOWN - Pos. 4-16-26-45
- [7] - NOT SHOWN - Pos. 18-52
- [8] - NOT SHOWN - Pos. 8-19-21-37-39
- [9] - NOT SHOWN - Pos. 10-11-25-30-31-32-33-38



Pos.	Artikel-Nr.	Menge	Variante	Notes
1	9100000877	1	FUSE MIDIFUSE 100A PKD	
2	9100000878	1	FUSE BLADE 3A PKD	
4	9100002397	1	CONTROLLER MAIN MACHINE SIP	
5	9100000880	1	COVER BOX ELECTRIC COMP. SIP	
10	9100002232	1	HARNESS MACHINE SC500 SIP	[1]
10	9100001863	1	HARNESS MACHINE SC500 20R B SIP	[2]
11	9100001955	1	HARNESS BATTERY EU KIT	
13	9100000885	1	Handgriff	
14	9100002117	1	CONNECTOR RED 120A PKD	
15	9100002233	1	FUSE BOLT DOWN 30A SIP	
16	9100002234	1	FUSE BOLT DOWN 50A SIP	
17	9100002235	2	HOLDER FUSE SIP	
K1	9100000798	1	GASKETS COVER KIT	[3]
K2	9100000799	1	HARDWARE ELECT. COMPONENTS KIT	[4]

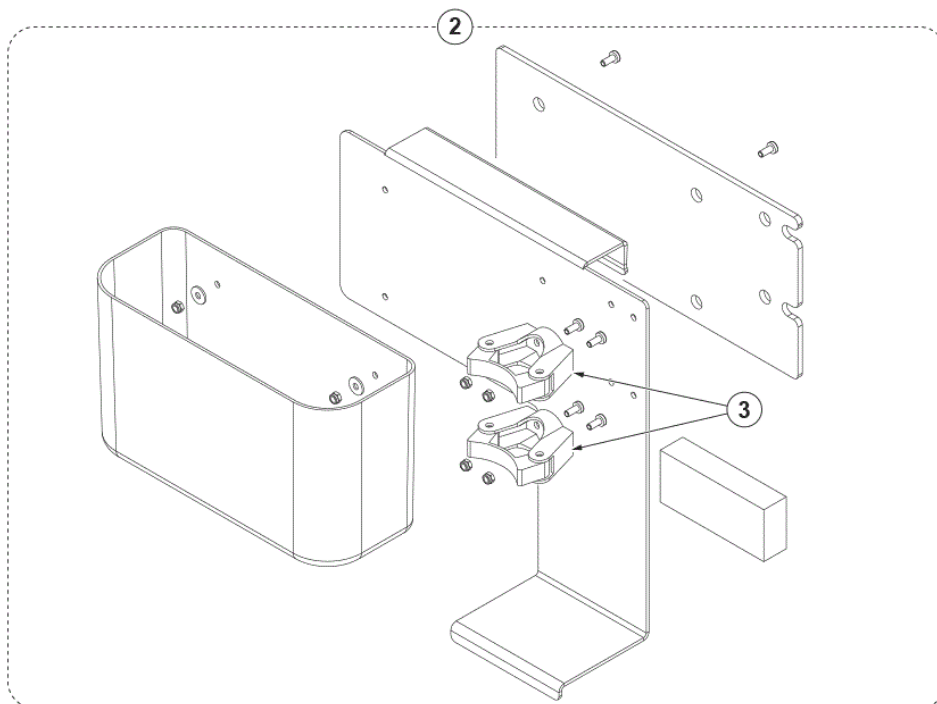
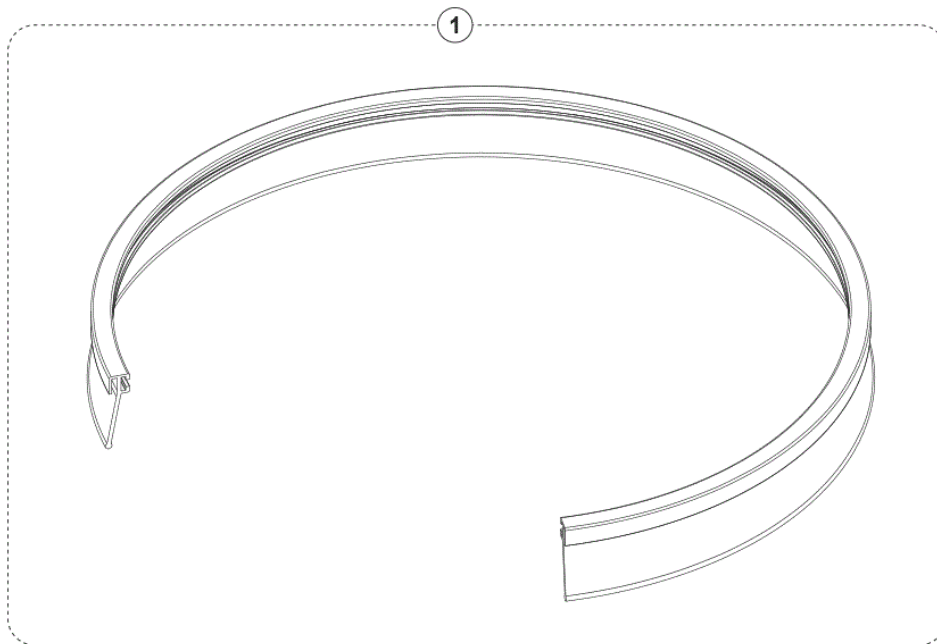
Part Notes:

- [1] - FOR ALL VERSION - (Note only for REV version) STARTING FROMS/N 3510163605524
- [2] - SEE PI 2017-002
Harness only for REV version - UntilS/N 3510163605523
- [3] - Pos. 8-9
- [4] - Pos. 3-6-7-12

Pos.	Artikel-Nr.	Menge	Variante	Notes
1	56104190	1	Ecoflex-Behälter 5 Liter	
2	56104189	1	INSERT-DRY BRAKE	
3	9100001817	1	CAP PLASTIC F. CHEMICAL TANK SIP	
4	56315523	1	Deckel EDS-Schwimmer	
5	9100001081	1	CHEMIE TANK PKD	
6	9100002398	1	PUMP DETERG. MIX PERISTALTIC 24V SIP	
7	9100002388	1	HEAD PERISTALTIC PUMP DETERG. SIP	
8	9100000893	1	SENSOR WATER LEVEL SIP	
10	9100000891	1	HOSE SILICONE D.4X7 L.300MM PKD	
11	9100002402	1	BARB HOSE STRAIGHT D.5-D.4 2 PCS SET	
12	9100002395	1	ECOFLEX DETERGENT KIT SC500	[1]
13	9097023000	1	Adapter f. Chemie Tank	
14	9097022000	1	Niveaufühler	
15	9098025000	1	Reduzierstück f.	[2]

Part Notes:

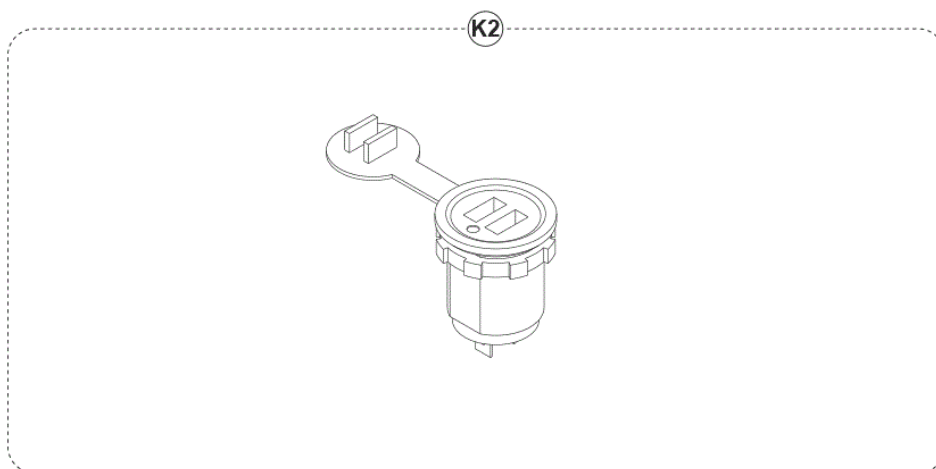
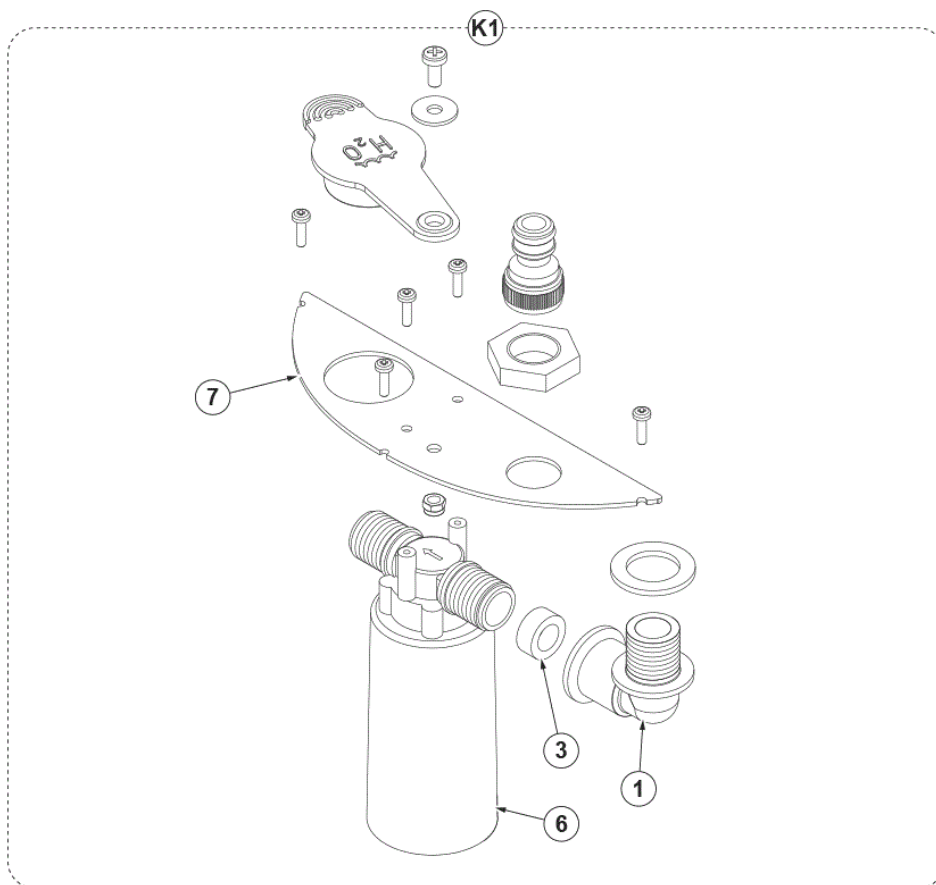
- [1] - OPTIONAL - SEE INST. INSTR.
- [2] - OPTIONAL



Pos.	Artikel-Nr.	Menge	Variante	Notes
1	9100001441	1	Spritzschutz komplett	[1]
2	9100002280	1	Mophalter, Zubehörkorb	[2]
3	9100001369	2	Mophalter	

Part Notes:

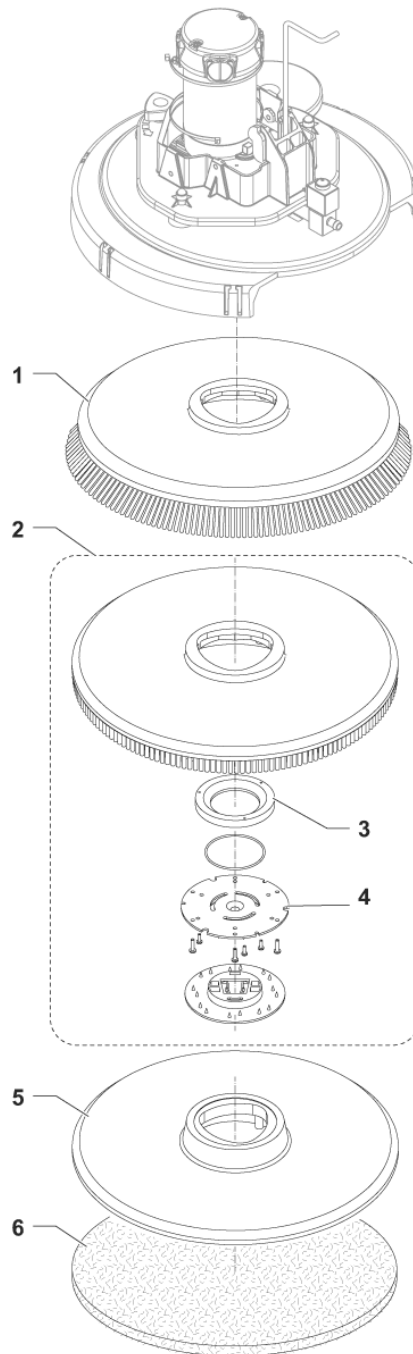
- [1] - OPTIONAL
- [2] - OPTIONAL - SEE INST. INSTR. 9100002279



Pos.	Artikel-Nr.	Menge	Variante	Notes
1	9100000894	1	ELBOW CURVED M/F PKD	
3	9100000622	1	GASKET RUBBER D.11.5X19X5 BLACK SIP	
6	9100000897	1	VALVE WATER STOP PKD	
7	9100000898	1	SUPPORT WATER STOP SIP	
K1	9100000005	1	automatische Wasserbefüllung	[1]
K2	9100002403	1	USB PORT KIT	[2]

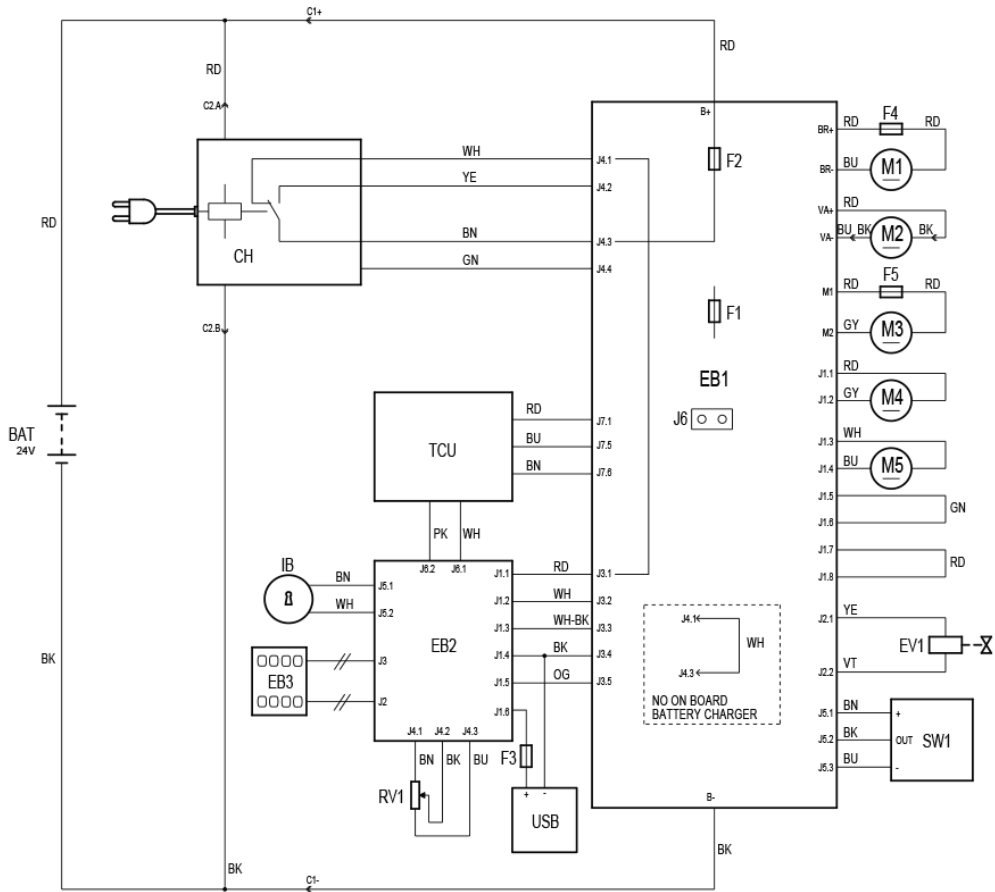
Part Notes:

- [1] - OPTIONAL - POS. 1-2-3-4-5-6-7-8
- [2] - OPTIONAL - SEE INST. INTR. 9100002406 - Models No.: 9087400020, 9087401020, 9087402020



Resource notes:
OPTIONALS

Pos.	Artikel-Nr.	Menge	Variante	Notes
1	L08837025	1	Bürste PPN mittel, 530 mm	
1	L08837026	1	Bürste PPN weich, 530 mm	
1	L08837027	1	Bürste Union Mix, 530 mm	
1	L08837028	1	Bürste Mid Grit 180, 530 mm	
1	L08837029	1	Bürste Sica Mid Grit 240, 530mm	
1	L08837065	1	Bürste Magna Grit 46, 530 mm	
1	L08837066	1	Bürste Dyna Grit 80, 530 mm	
1	L08837067	1	Schleifkornbürste 21" AGLiteGrit 500	
2	L08837018	1	Padhalter m. Padverschluß, 530 mm	
3	L08603966	1	Nylon Ring	
4	56505195	1	Padverschluss m. Spange	
5	9099671000	1	Padhalter Ø 508 mm, 20"	
6	10001955	1	Eco Pad 20", Ø 508 mm, schwarz, VPE 5	
6	10001956	1	Eco Pad 20", Ø 508 mm, blau, VPE 5	
6	10001957	1	Eco Pad 20", Ø 508 mm, braun, VPE 5	
6	10001958	1	Eco Pad 20", Ø 508 mm, grün, VPE 5	
6	10001959	1	Eco Pad 20", Ø 508 mm, rot, VPE 5	
6	10001960	1	Eco Pad 20", Ø 508 mm, weiß, VPE 5	
6	10002348	1	Eco Brill. Pad 20", Ø 508 mm, rot, VPE 2	
6	10002349	1	Eco Brill. Pad 20", Ø 508 mm, blau, VPE	
6	10002350	1	Eco Brill. Pad 20", Ø 508 mm, gelb, VPE	
6	10002351	1	Eco Brill. Pad 20", Ø508mm, grün/VPE 2 PC	



Pos.	Artikel-Nr.	Menge	Variante	Notes
C1	9100002117		CONNECTOR RED 120A PKD	
CH	9100000888		Einbauladegerät 24V 13A 100-230V PKD	
EB1	9100002397		CONTROLLER MAIN MACHINE SIP	
EB2	9100002391		CONTROLLER DISPLAY SIP	
EB3	9100002915		CONTROLLER USER INTERFACE MOUNTED SIP	[1]
EB3	9100002393		CONTROLLER USER INTERFACE REV SIP	[2]
EV1	9100000870		SOLENOID VALVE 24V PKD	
F1	9100000877		FUSE MIDIFUSE 100A PKD	
F2	9100000878		FUSE BLADE 3A PKD	
F4	9100002233		FUSE BOLT DOWN 30A SIP	
F5	9100002234		FUSE BOLT DOWN 50A SIP	
IB	56116477		IBUTTON-PROBE	
M1	9100000874		REDUCTION GEARMOTOR 450W 24V PKD	[1]
M1	9100001860		MOTOR ELECTRIC 350W 24V SIP	[2]
M2	9100000823		Saugmotor 24V 280W PKD	
M3	9100000921		MOTOR ELECTRIC 200W 24V	
M4	9100002398		PUMP DETERG. MIX PERISTALTIC 24V SIP	
M5	9100000805		ACTUATOR LINEAR 24V DC STRK 120MM PKD	[1]
M5	9100000806		ACTUATOR LINEAR 24V DC STRK 98MM SIP	[2]
RV1	9100000837		POTENTIOMETER 5K PKD	
SW1	9100000893		SENSOR WATER LEVEL SIP	
USB	9100002403		USB PORT KIT	

Part Notes:

- [1] - FOR DISC VERSION
 [2] - FORREV VERSION

PL RECOMMENDED SPARE PARTS

SC500I 53R B NIL

2017.11.02

2018.02.27

Pos.	Artikel-Nr.	Menge	Variante	Notes
NW	910000829	1	BAND ELASTIC F EXTENSION CABLE PKD	
NW	910000810	1	Sauglippen-Set, Gummi, 740 mm, 29"	
NW	910000490	1	Sauglippen-Set PU Gummi, 740 mm, 29"	
NW	910000060	1	Sauglippen-Set 730 mm, 29", rot	
NW	910000920	1	CARBON BRUSHES W/HOLDER KIT	
NW	9098376000	1	CARBON BRUSHES KIT 4 PCS	[1]
OM	910000794	1	CABLE SAFETY F TANK KIT	
OM	910000812	1	HOSE DRAIN BLACK PKD	
OM	910000889	1	CLIP HOSE STOPPING 2 PCS SET	
OM	910000816	1	HOSE SUCTION BLACK PKD	
OM	910000904	1	MOTOR VACUUM 24V 280W CPL KIT	
OM	910000819	1	Dichtung	
OM	910000823	1	Saugmotor 24V 280W PKD	
OM	910000739	1	GASKETS VACUUM MOTOR KIT	
OM	9100002349	1	MOTOR ELECTRIC 200W 24V KIT	
OM	910000830	1	WHEEL D.200X50 GREY-BLACK 2 PCS SET	
OM	910000843	1	Anwender-Schlüssel, grau	
OM	910000902	2	BEARING FLANGE IGLIDUR 2 PCS SET	
OM	910000855	1	SPRING GAS 30 KG PKD	
OM	910000856	1	WHEEL CASTOR D.80 2 PCS SET	
OM	9100002396	1	SLEEVE RUBBER BLACK F SUCTION HOSE SIP	
OM	910000903	1	U-Scheibe GTM 3254-015 PKD	
OM	910000796	1	HOSES SOLUTION SYSTEM KIT	
OM	910000861	1	NET WATER FILTER REINFORCED PKD	
OM	910000559	3	Rad grau D.51	
OM	910000864	1	STRAP ELASTIC F REAR SQUEEGEE BLADE PKD	
OM	910000865	1	STRAP FRONT SQUEEGEE BLADE PKD	
OM	9100001816	1	WHEEL BUMPER D.100 PLASTIC 2 PCS SET	
OM	910000797	1	HOSES BRUSH DECK KIT	
OM	910000870	1	SOLENOID VALVE 24V PKD	
OM	910000871	1	HUB BRUSH PKD	
OM	910000874	1	REDUCTION GEARMOTOR 450W 24V PKD	[1]
OM	9100001860	1	MOTOR ELECTRIC 350W 24V SIP	[2]
OM	9100001283	1	CARBON BRUSHES W/HOLDER SIP	[2]
OM	L08603949	1	Kohlenbürsten Kit 4pcs	[2]
OM	910000901	1	GASKET ADHESIVE 12X5 L.1090MM SIP	[2]
OM	910000798	1	GASKETS COVER KIT	
EOM	910000803	1	VALVE ELBOW PKD	
EOM	9098446000	1	HOSE SOLUTION	
EOM	909 6380 000	1	Schlauchklammer BR 601BR 751	
EOM	910000899	1	FILTER WATER INLET PKD	
EOM	910000805	1	ACTUATOR LINEAR 24V DC STRK 120MM PKD	[3]
EOM	910000806	1	ACTUATOR LINEAR 24V DC STRK 98MM SIP	[2]
EOM	910000808	1	RUBBER SOLUTION CAP PKD	
EOM	910000703	1	Füllschlauch	
EOM	910000827	1	MOTOR DRIVE 200W 24V PKD	
EOM	910000820	1	HARNESS VACUUM MOTOR SIP	
EOM	9100001875	1	SUPPORT FLOAT KIT	
EOM	910000837	1	POTENTIOMETER 5K PKD	
EOM	910000842	1	CARD DISPLAY PKD	
EOM	910000845	1	HARNESS CONTROL PANEL PKD	
EOM	910000846	1	DASHBOARD CONTROL PANEL PKD	
EOM	910000847	1	DASHBOARD CONTROL PANEL SIP	
EOM	910000848	1	Vorgesetzten-Schlüssel, gelb	
EOM	910000860	1	Wasserfilter	
EOM	910000747	1	SQUEEGEE 730MM/29 PRE-ASSEMBLED PKD	
EOM	910000868	1	VIBRATION DAMPING M8 60SH 2 PCS SET	[2]
EOM	910000873	1	DECK BRUSH PKD	[3]
EOM	56382991	1	KIT-ISOLATOR BOOST HD	[2]

PL RECOMMENDED SPARE PARTS

SC500I 53R B NIL

2017.11.02

2018.02.27

Pos.	Artikel-Nr.	Menge	Variante	Notes
EOM	9100000879	1	CONTROLLER MAIN MACHINE PKD	
EOM	9100002232	1	HARNES MACHINE SC500 SIP	
EOM	9100001863	1	HARNES MACHINE SC500 20R B SIP	[4]
EOM	9100002117	1	CONNECTOR RED 120A PKD	
EOM	9100000888	1	Einbauladegerät 24V 13A 100-230V PKD	
EOM	9100001819	1	PUMP CHEMICAL MIX KIT	
EOM	9100000893	1	SENSOR WATER LEVEL SIP	

Part Notes:

- [1] - FOR DISC VERSION
- [2] - FORREV VERSION
- [3] - FORDISC VERSION
- [4] - SEE PI 2017-002

PL RECOMMENDED SPARE PARTS

SC500I 53R B NIL

2017.11.02

2018.12.12

Pos.	Artikel-Nr.	Menge	Variante	Notes
NW	910000829	1	BAND ELASTIC F EXTENSION CABLE PKD	
NW	910000810	1	Sauglippen-Set, Gummi, 740 mm, 29"	
NW	910000490	1	Sauglippen-Set PU Gummi, 740 mm, 29"	
NW	910000060	1	Sauglippen-Set 730 mm, 29", rot	
NW	910000920	1	CARBON BRUSHES W/HOLDER KIT	
NW	9098376000	1	CARBON BRUSHES KIT 4 PCS	
OM	910000794	1	CABLE SAFETY F TANK KIT	
OM	910000812	1	HOSE DRAIN BLACK PKD	
OM	910000889	1	CLIP HOSE STOPPING 2 PCS SET	
OM	910000816	1	HOSE SUCTION BLACK PKD	
OM	910000904	1	MOTOR VACUUM 24V 280W CPL KIT	
OM	910000819	1	Dichtung	
OM	910000823	1	Saugmotor 24V 280W PKD	
OM	910000739	1	GASKETS VACUUM MOTOR KIT	
OM	9100002349	1	MOTOR ELECTRIC 200W 24V KIT	
OM	910000830	1	WHEEL D.200X50 GREY-BLACK 2 PCS SET	
OM	56116518	1	SMART KEY-USER	
OM	56116477	1	IBUTTON-PROBE	
OM	910000902	2	BEARING FLANGE IGLIDUR 2 PCS SET	
OM	910000855	1	SPRING GAS 30 KG PKD	
OM	910000856	1	WHEEL CASTOR D.80 2 PCS SET	
OM	9100002396	1	SLEEVE RUBBER BLACK F SUCTION HOSE SIP	
OM	910000903	1	U-Scheibe GTM 3254-015 PKD	
OM	910000796	1	HOSES SOLUTION SYSTEM KIT	
OM	910000861	1	NET WATER FILTER REINFORCED PKD	
OM	9100000559	3	Rad grau D.51	
OM	910000864	1	STRAP ELASTIC F REAR SQUEEGEE BLADE PKD	
OM	910000865	1	STRAP FRONT SQUEEGEE BLADE PKD	
OM	9100001816	1	WHEEL BUMPER D.100 PLASTIC 2 PCS SET	
OM	910000797	1	HOSES BRUSH DECK KIT	
OM	910000870	1	SOLENOID VALVE 24V PKD	
OM	910000871	1	HUB BRUSH PKD	
OM	910000874	1	REDUCTION GEARMOTOR 450W 24V PKD	
OM	9100001860	1	MOTOR ELECTRIC 350W 24V SIP	
OM	9100001283	1	CARBON BRUSHES W/HOLDER SIP	
OM	L08603949	1	Kohlenbürsten Kit 4pcs	
OM	910000901	1	GASKET ADHESIVE 12X5 L.1090MM SIP	
OM	910000798	1	GASKETS COVER KIT	
EOM	910000803	1	VALVE ELBOW PKD	
EOM	9098446000	1	HOSE SOLUTION	
EOM	909 6380 000	1	Schlauchklammer BR 601BR 751	
EOM	910000899	1	FILTER WATER INLET PKD	
EOM	910000805	1	ACTUATOR LINEAR 24V DC STRK 120MM PKD	
EOM	910000806	1	ACTUATOR LINEAR 24V DC STRK 98MM SIP	
EOM	910000808	1	RUBBER SOLUTION CAP PKD	
EOM	910000703	1	Füllschlauch	
EOM	910000827	1	MOTOR DRIVE 200W 24V PKD	
EOM	910000820	1	HARNESS VACUUM MOTOR SIP	
EOM	9100001875	1	SUPPORT FLOAT KIT	
EOM	910000837	1	POTENTIOMETER 5K PKD	
EOM	9100002391	1	CONTROLLER DISPLAY SIP	
EOM	910000845	1	HARNESS CONTROL PANEL PKD	
EOM	9100002915	1	CONTROLLER USER INTERFACE MOUNTED SIP	
EOM	9100002393	1	CONTROLLER USER INTERFACE REV SIP	
EOM	56116519	1	SMART KEY-SUPERVISOR	
EOM	910000860	1	Wasserfilter	
EOM	9100000747	1	SQUEEGEE 730MM/29 PRE-ASSEMBLED PKD	
EOM	910000868	1	VIBRATION DAMPING M8 60SH 2 PCS SET	
EOM	910000873	1	DECK BRUSH PKD	

PL RECOMMENDED SPARE PARTS

SC500I 53R B NIL

2017.11.02

2018.12.12

Pos.	Artikel-Nr.	Menge	Variante	Notes
EOM	56382991	1	KIT-ISOLATOR BOOST HD	
EOM	9100002397	1	CONTROLLER MAIN MACHINE SIP	
EOM	9100002232	1	HARNES MACHIN SC500 SIP	
EOM	9100001863	1	HARNES MACHIN SC500 20R B SIP	[1]
EOM	9100002117	1	CONNECTOR RED 120A PKD	
EOM	9100000888	1	Einbauladegerät 24V 13A 100-230V PKD	
EOM	9100002398	1	PUMP DETERG. MIX PERISTALTIC 24V SIP	
EOM	9100000893	1	SENSOR WATER LEVEL SIP	

Part Notes:

[1] - SEE PI 2017-002

