

Version 2.1
October 2019
702P07231

Xerox® AltaLink® C80XX Series Color Multifunction Printer User Guide

©2019 Xerox Corporation. All rights reserved. Xerox®, Xerox and Design®, AltaLink®, FreeFlow®, SMARTsend®, Scan to PC Desktop®, MeterAssistant®, SuppliesAssistant®, Xerox Secure Access Unified ID System®, Xerox Extensible Interface Platform®, Global Print Driver®, and Mobile Express Driver® are trademarks of Xerox Corporation in the United States and / or other countries.

Adobe®, Adobe PDF logo, Adobe® Reader®, Adobe® Type Manager®, ATM™, Flash®, Macromedia®, Photoshop®, and PostScript® are trademarks or registered trademarks of Adobe Systems, Inc.

Apple®, Bonjour®, EtherTalk™, TrueType®, iPad®, iPhone®, iPod®, iPod touch®, AirPrint® and the AirPrint Logo®, Mac®, Mac OS®, and Macintosh® are trademarks or registered trademarks of Apple Inc. in the U.S. and other countries.

Google Cloud Print™ web printing service, Gmail™ webmail service, and Android™ mobile technology platform are trademarks of Google, Inc.

HP-GL®, HP-UX®, and PCL® are registered trademarks of Hewlett-Packard Corporation in the United States and/or other countries.

IBM® and AIX® are registered trademarks of International Business Machines Corporation in the United States and/or other countries.

McAfee®, ePolicy Orchestrator®, and McAfee ePO™ are trademarks or registered trademarks of McAfee, Inc. in the United States and other countries.

Microsoft®, Windows Vista®, Windows®, Windows Server®, and OneDrive® are registered trademarks of Microsoft Corporation in the United States and other countries.

Mopria is a trademark of the Mopria Alliance.

Novell®, NetWare®, NDPS®, NDS®, IPX™, and Novell Distributed Print Services™ are trademarks or registered trademarks of Novell, Inc. in the United States and other countries.

PANTONE® and other Pantone, Inc. trademarks are the property of Pantone, Inc.

SGI® and IRIX® are registered trademarks of Silicon Graphics International Corp. or its subsidiaries in the United States and/or other countries.

Sun, Sun Microsystems, and Solaris are trademarks or registered trademarks of Oracle and/or its affiliates in the United States and other countries.

UNIX® is a trademark in the United States and other countries, licensed exclusively through X/ Open Company Limited.

Wi-Fi CERTIFIED Wi-Fi Direct® is a trademark of the Wi-Fi Alliance.

Table of Contents

1 Safety	11
Notices and Safety.....	12
Electrical Safety	13
General Guidelines	13
Power Cord Safety Information	13
Emergency Power Off.....	14
Telephone Line Cord.....	14
Operational Safety.....	15
Operational Guidelines.....	15
Ozone Release	15
Printer Location	15
Printer Supplies.....	16
Maintenance Safety.....	17
Printer Symbols.....	18
Environmental, Health, and Safety Contact Information	20
2 Getting Started.....	21
Parts of the Printer.....	22
Front View	22
Duplex Automatic Document Feeder.....	23
Control Panel.....	24
Internal Parts.....	27
Rear View	28
Configurations and Options	29
Power Options.....	38
Powering On the Printer or Exiting Sleep Mode.....	38
Restarting, Placing in Sleep Mode, or Powering Off the Printer.....	39
Accessing the Printer.....	40
Authentication.....	40
Authorization.....	40
Personalization	41
Accounting	41
Logging In.....	41
Introduction to Xerox® Apps	42
Information Pages	43
Configuration Report	43
The Embedded Web Server	45
Accessing the Embedded Web Server	45
Logging In Using the Embedded Web Server.....	46
Finding the IP Address of Your Printer	46

Table of Contents

Downloading the Configuration Report from the Embedded Web Server	47
Installation and Setup	48
Installation and Setup Overview	48
Selecting a Location for the Printer	48
Connecting the Printer	49
Optimizing Printer Performance.....	56
Initial Printer Setup.....	56
Updating the Printer System Software	57
Installing the Print Driver Software	57
More Information	61
Locating the Serial Number.....	62
3 Customize and Personalize	63
Customize and Personalize Overview	64
Customizing or Personalizing the Home Screen	65
Displaying or Hiding an App on the Home screen.....	65
Rearranging Apps on the Home screen.....	65
Deleting an App from the Home Screen	66
Removing Customization From the Home Screen	66
Customizing or Personalizing the Apps	67
Customizing or Personalizing the Feature List.....	67
Showing all Features in the Features List	67
Saving App Default Settings.....	68
Removing App Customization Using the Control Panel.....	68
Creating and Using 1–Touch Apps	69
Creating a 1–Touch App.....	69
Deleting or Hiding a 1–Touch App.....	70
Using a 1–Touch App.....	70
Removing All Customizations	71
4 Xerox® Apps.....	73
Xerox® App Gallery	74
Xerox® App Gallery Overview	74
Creating a Xerox® App Gallery Account.....	74
Logging in to your Xerox® App Gallery Account.....	75
Installing or Updating an App from the Xerox® App Gallery	75
Device	77
Device Overview.....	77
About	78
Information Pages	78
Supply Status.....	79
Billing and Usage Counters	80
Remote Services.....	80
Jobs.....	81
Jobs Overview	81
Managing Jobs	81
4 Xerox® AltaLink® C80XX Series Color Multifunction Printer User Guide	

Managing Special Job Types	82
Managing Jobs using the Embedded Web Server	85
Copy	88
Copy Overview	88
Making a Copy.....	89
Copy Workflows	90
ID Card Copy	101
ID Card Copy Overview	101
Copying an ID Card	101
Email	102
Email Overview	102
Sending a Scanned Image in an Email.....	103
Adding or Editing Contacts in the Device Address Book from the Control Panel	104
Workflow Scanning	106
Workflow Scanning Overview	106
Using Workflow Scanning	107
Scan To.....	116
Scan To Overview	116
Scanning to an Email Address	116
Scanning to a USB Flash Drive	117
Scanning to a Shared Folder on a Networked Computer	118
Scanning to the Logged-In User.....	120
Adding a Scan To Destination to an Address Book Entry.....	121
Fax	122
Fax Overview	122
Sending a Fax	123
Fax Workflows.....	124
Server Fax	132
Server Fax Overview	132
Sending a Server Fax.....	133
Sending a Delayed Server Fax	134
Internet Fax.....	135
Internet Fax Overview.....	135
Sending a Scanned Image in an Internet Fax.....	136
Print From.....	138
Print From Overview.....	138
Printing From a USB Flash Drive.....	138
Printing from Saved Jobs.....	138
Printing from Mailbox	139
5 Printing.....	141
Printing Overview	142
Print Workflows.....	143
Print Driver Help.....	143
Windows Printing Options.....	144
Macintosh Printing Options.....	146

Table of Contents

Linux Printing Options.....	147
Mobile Printing Options	148
Print Jobs.....	150
Managing Jobs	150
Printing Special Job Types	151
Printing Features.....	154
Selecting Paper Options for Printing	154
Printing on Both Sides of the Paper	154
Xerox Black and White	155
Print Quality.....	155
Image Options.....	156
Printing Multiple Pages to a Single Sheet	157
Printing Booklets.....	157
Using Special Pages	158
Printing Watermarks for Windows	160
Orientation	160
Advanced Tab	161
Using Custom Paper Sizes	164
Printing on Custom Paper Sizes	164
Defining Custom Paper Sizes.....	164
Print From.....	166
Printing From a USB Flash Drive.....	166
Printing from Saved Jobs.....	166
Printing from Mailbox	167
Printing from the Embedded Web Server.....	167
6 Paper and Media	169
Paper and Media Overview.....	170
Supported Paper	171
Recommended Media	171
Ordering Paper.....	171
General Paper Loading Guidelines.....	171
Paper That Can Damage Your Printer.....	171
Paper Storage Guidelines	172
Supported Paper Types and Weights	172
Supported Standard Paper Sizes.....	174
Supported Paper Sizes and Weights for Automatic 2-Sided Printing.....	176
Supported Paper Sizes for the Envelope Tray	176
Supported Custom Paper Sizes.....	176
Paper Tray Settings	178
Configuring Tray Settings.....	178
Changing Paper Size, Type, and Color.....	178
Loading Paper.....	180
Loading Paper in Trays 1–4	180
Adjusting the Paper Guides in the 520-Sheet Adjustable Trays	183
Loading Paper in Trays 3 and 4 of the Tandem Tray	184
Loading Paper in Tray 5	185

Loading Paper in Tray 6	188
Printing on Special Paper	190
Envelopes	190
Labels	193
Glossy Media	197
Transparencies	197
7 Maintenance	199
General Precautions	200
Cleaning the Printer	201
Cleaning the Printer Exterior	201
Cleaning the Printer Interior	206
Supplies	209
Consumables	209
Routine Maintenance Items	209
Ordering Supplies	210
Toner Cartridges	211
Waste Toner Container	214
Drum Cartridges	216
Transfer Belt Cleaner	219
Second Bias Transfer Roller	222
Fan Filter	225
Staple Cartridges and Staple Refills	226
Emptying the Hole Punch Waste Container	237
Recycling Supplies	240
Resetting Supply Life Counters	240
Managing the Printer	242
Viewing the Meter Reading	242
Printing the Billing Summary Report	242
Moving the Printer	243
8 Troubleshooting	245
General Troubleshooting	246
Restarting the Printer	246
Printer Has Two Power Switches	247
Printer Does Not Power On	247
Printer Resets or Powers Off Frequently	248
Printer Does Not Print	248
Printing Takes Too Long	249
Document Fails to Print	250
Document Prints from Wrong Tray	251
Printer is Making Unusual Noises	251
Automatic 2-Sided Printing Problems	252
Date and Time Are Incorrect	252
Scanner Errors	252
Paper Jams	253
Locating Paper Jams	253

Table of Contents

Minimizing Paper Jams	254
Clearing Paper Jams	255
Troubleshooting Paper Jams	266
Clearing Finisher Jams	270
Print, Copy, and Scan Problems	306
Identifying Print, Copy, and Scan Problems	306
Print-Quality Problems.....	306
Copy and Scan Problems.....	312
Fax Problems	314
Problems Sending Faxes.....	314
Problems Receiving Faxes.....	315
Printing Fax Reports	316
Getting Help	317
Viewing Error and Alert Messages on the Control Panel.....	317
Viewing the Error History on the Control Panel.....	317
The Embedded Web Server	317
Online Support Assistant.....	318
Information Pages	318
More Information	319
A Specifications.....	321
Printer Configurations and Options	322
Standard Features.....	322
Options and Upgrades	323
Finishing Options	324
Physical Specifications	326
Base Configuration	326
Configuration with Integrated Office Finisher	326
Configuration with Office Finisher LX and Booklet Maker	326
Configuration with Business Ready Finisher.....	326
Configuration with Business Ready Finisher and Booklet Maker.....	326
Configuration with Business Ready Finisher, Booklet Maker, and CZ Folder	327
Configuration with Business Ready Finisher, Booklet Maker, CZ Folder, and High-Capacity Feeder	327
Clearance Requirements	327
Environmental Specifications	330
Temperature	330
Relative Humidity	330
Elevation	330
Electrical Specifications.....	331
Performance Specifications	332
Printing Resolution.....	332
Print Speed	332
Environmental, Health, and Safety Contact Information	333
B Regulatory Information.....	335

Basic Regulations.....	336
United States FCC Regulations.....	336
Certifications in Europe.....	336
European Union Lot 4 Imaging Equipment Agreement Environmental Information	337
Germany.....	339
Turkey RoHS Regulation	340
Eurasian Economic Community Certification	340
Regulatory Information for 2.4 GHz Wireless Network Adapter.....	340
Ozone Release	340
Copy Regulations.....	341
United States.....	341
Canada.....	342
Other Countries.....	343
Fax Regulations.....	344
United States.....	344
Canada.....	345
European Union.....	346
New Zealand	347
South Africa.....	347
Safety Certification.....	348
Material Safety Data Sheets	349
C Recycling and Disposal.....	351
All Countries	352
North America	353
European Union.....	354
Domestic/Household Environment	354
Professional/Business Environment.....	354
Collection and Disposal of Equipment and Batteries.....	355
Battery Symbol.....	355
Battery Removal	355
Other Countries.....	356
D Apps Features.....	357

Table of Contents

Safety

This chapter contains:

- [Notices and Safety](#)..... 12
- [Electrical Safety](#) 13
- [Operational Safety](#)..... 15
- [Maintenance Safety](#)..... 17
- [Printer Symbols](#)..... 18
- [Environmental, Health, and Safety Contact Information](#)..... 20

Your printer and the recommended supplies have been designed and tested to meet strict safety requirements. Attention to the following information ensures the continued safe operation of your Xerox printer.

Notices and Safety

Read the following instructions carefully before operating your printer. Refer to these instructions to ensure the continued safe operation of your printer.

Your Xerox® printer and supplies are designed and tested to meet strict safety requirements. These include safety agency evaluation and certification, and compliance with electromagnetic regulations and established environmental standards.

The safety and environment testing and performance of this product have been verified using Xerox® materials only.



Note: Unauthorized alterations, which can include the addition of new functions or connection of external devices, can affect the product certification. For more information, contact your Xerox representative.

Electrical Safety

General Guidelines



WARNING:

- Do not push objects into slots or openings on the printer. Touching a voltage point or shorting out a part could result in fire or electric shock.
- Do not remove the covers or guards that are fastened with screws unless you are installing optional equipment and are instructed to do so. Power off the printer when performing these installations. Disconnect the power cord when removing covers and guards for installing optional equipment. Except for user-installable options, there are no parts that you can maintain or service behind these covers.

The following are hazards to your safety:

- The power cord is damaged or frayed.
- Liquid is spilled into the printer.
- The printer is exposed to water.
- The printer emits smoke, or the surface is unusually hot.
- The printer emits unusual noise or odors.
- The printer causes a circuit breaker, fuse, or other safety device to activate.

If any of these conditions occur, do the following:

1. Power off the printer immediately.
2. Disconnect the power cord from the electrical outlet.
3. Call an authorized service representative.

Power Cord Safety Information

Carefully read the following instructions before operating your printer. For details, contact your Xerox representative.



WARNING:

- The electrical supply for the device must meet the requirements stated on the data plate on the rear of the device. If you are not sure that your electrical supply meets the requirements, consult your local electricity provider or a licensed electrician.
- Do not use an extension cord.
- Do not remove or modify the power cord.

Refer to these instructions to ensure the continued safe operation of your printer.

- Use the power cord supplied with your printer.
- Plug the power cord directly into a properly grounded electrical outlet. Ensure that each end of the cord is connected securely. If you do not know if an outlet is grounded, ask an electrician to check the outlet.

Safety

- Do not use a ground adapter plug to connect the printer to an electrical outlet that does not have a ground connection terminal.



WARNING: Avoid the potential of electrical shock by ensuring that the printer is grounded properly. Electrical products can be hazardous if misused.

- Verify that the printer is plugged into an outlet that is providing the correct voltage and power. Review the electrical specification of the printer with an electrician if necessary.
- Do not place the printer in an area where people can step on the power cord.
- Do not place objects on the power cord.
- Replace the power cord if it becomes frayed or worn.
- Do not unplug or plug the power cord while the printer is turned on.
- To avoid electrical shock and damage to the cord, grasp the plug when unplugging the power cord.
- The electrical outlet must be near the printer and must be easily accessible.

The power cord is attached to the printer as a plug-in device on the back of the printer. If it is necessary to disconnect all electrical power from the printer, disconnect the power cord from the electrical outlet. For details, see [Restarting, Placing in Sleep Mode, or Powering Off the Printer](#).

Emergency Power Off

If any of the following conditions occur, power off the printer immediately and disconnect the power cord from the electrical outlet. Contact an authorized Xerox service representative to correct the problem if:

- The equipment emits unusual odors or makes unusual noises.
- The power cable is damaged or frayed.
- A wall panel circuit breaker, fuse, or other safety device has been tripped.
- Liquid is spilled into the printer.
- The printer is exposed to water.
- Any part of the printer is damaged.

Telephone Line Cord



WARNING: To reduce the risk of fire, use only No. 26 American Wire Gauge (AWG) or larger telecommunication line cord.

Operational Safety

Your printer and supplies were designed and tested to meet strict safety requirements. These include safety agency examination, approval, and compliance with established environmental standards.

Your attention to the following safety guidelines helps to ensure the continued, safe operation of your printer.

Operational Guidelines

- Do not remove any paper trays while the printer is printing.
- Do not open the doors when the printer is printing.
- Do not move the printer when it is printing.
- Keep hands, hair, neckties, and so on, away from the exit and feed rollers.
- Covers, which require tools for removal, protect the hazard areas within the printer. Do not remove the protective covers.
- Do not override any electrical or mechanical interlock devices.
- Do not attempt to remove paper that is jammed deeply inside the product. Power off the printer promptly and contact your local Xerox representative.
- Ensure that the rear right cover is attached. Open this cover to connecting an interface cable.

Ozone Release

This printer produces ozone during normal operation. The amount of ozone produced is dependent on copy volume. Ozone is heavier than air and is not produced in amounts large enough to harm anyone. Install the printer in a well-ventilated room.

For more information in the United States and Canada, go to www.xerox.com/about-xerox/environment/enus.html. In other markets, please contact your local Xerox representative or go to www.xerox.co.uk/about-xerox/environment/engb.html.


Printer Location

- Place the printer on a level, solid, non-vibrating surface with adequate strength to hold its weight. To find the weight for your printer configuration, refer to [Physical Specifications](#).
- Do not block or cover the slots or openings on the printer. These openings are provided for ventilation and to prevent overheating of the printer.
- Place the printer in an area where there is adequate space for operation and servicing.
- Place the printer in a dust-free area.
- Do not store or operate the printer in an extremely hot, cold, or humid environment.
- Do not place the printer near a heat source.
- Do not place the printer in direct sunlight to avoid exposure to light-sensitive components.
- Do not place the printer where it is directly exposed to the cold air flow from an air conditioning system.
- Do not place the printer in locations susceptible to vibrations.

Safety

- For optimum performance, use the printer at the elevations specified in [Elevation](#).

Printer Supplies

- Use the supplies designed for your printer. The use of unsuitable materials can cause poor performance and a possible safety hazard.
 - Follow all warnings and instructions marked on, or supplied with, the product, options, and supplies.
 - Store all consumables in accordance with the instructions given on the package or container.
 - Keep all consumables away from the reach of children.
 - Never throw toner, toner cartridges, drum cartridges, or waste cartridges into an open flame.
 - When handling cartridges, for example toner and such, avoid skin or eye contact. Eye contact can cause irritation and inflammation. Do not attempt to disassemble the cartridge, which can increase the risk of skin or eye contact.
-  **Caution:** Use of non-Xerox supplies is not recommended. The Xerox Warranty, Service Agreement, and Total Satisfaction Guarantee do not cover damage, malfunction, or degradation of performance caused by use of non-Xerox supplies, or the use of Xerox supplies not specified for this printer. The Total Satisfaction Guarantee is available in the United States and Canada. Coverage could vary outside these areas. Please contact your Xerox representative for details.

Maintenance Safety

Do not attempt any maintenance procedure that is not specifically described in the documentation supplied with your printer.











- Clean the device with a dry lint-free cloth only.
- Do not burn any consumables or routine maintenance items. For information on Xerox® supplies recycling programs, go to www.xerox.com/recycling









WARNING: Do not use aerosol cleaners. Aerosol cleaners can be explosive or flammable when used on electromechanical equipment.

When installing the device in a hallway or similar restricted area, additional space requirements can apply. Ensure that you comply with all workspace safety regulations, building codes, and fire codes for your area.

Printer Symbols

Symbol	Description
	<p>Warning:</p> <p>Indicates a serious hazard that can result in death or serious injury if not avoided.</p>
	<p>Hot Warning:</p> <p>Hot surface on or in the printer. Use caution to avoid personal injury.</p>
	<p>Warning:</p> <p>Moving parts. To avoid personal injury, use caution.</p>
	<p>Caution:</p> <p>Indicates a mandatory action to take in order to avoid damage to the property.</p>
	<p>Caution:</p> <p>To avoid damage to the property, be careful not to spill toner when handling the waste cartridge.</p>
	<p>Do not touch the part or area of the printer.</p>
	<p>Do not expose the drum cartridges to direct sunlight.</p>
	<p>Do not burn the toner cartridges.</p>
	<p>Do not burn the waste cartridge.</p>
	<p>Do not burn the drum cartridges.</p>

Symbol	Description
	Do not use paper attached with staples or any form of binding clip.
	Do not use folded, creased, curled, or wrinkled paper.
	Do not use inkjet paper.
	Do not use transparencies or overhead projector sheets.
	Do not reload paper previously printed on or used.
	Do not copy money, revenue stamps, or postage stamps.

For details about all the printer symbols that appear on your printer, refer to the *Printer Symbols* guide at www.xerox.com/support/ALC80XXdocs.

Environmental, Health, and Safety Contact Information

For more information on Environment, Health, and Safety in relation to this Xerox product and supplies, contact:

- United States and Canada: 1-800-ASK-XEROX (1-800-275-9376)
- Europe: EHS-Europe@xerox.com

For product safety information in the United States and Canada, go to www.xerox.com/about-xerox/environment.

For product safety information in Europe, go to www.xerox.com/about-xerox/environment_europe.

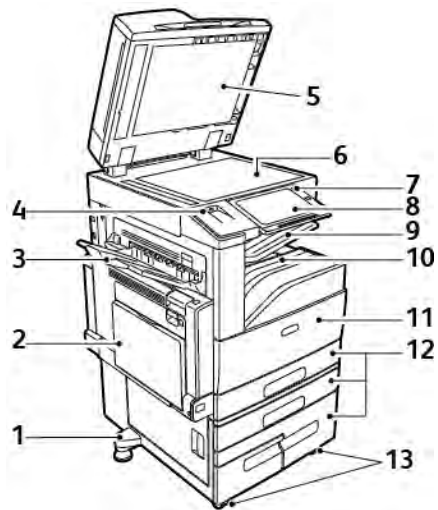
Getting Started

This chapter contains:

• Parts of the Printer	22
• Power Options.....	38
• Accessing the Printer.....	40
• Introduction to Xerox® Apps	42
• Information Pages	43
• The Embedded Web Server	45
• Installation and Setup	48
• More Information	61

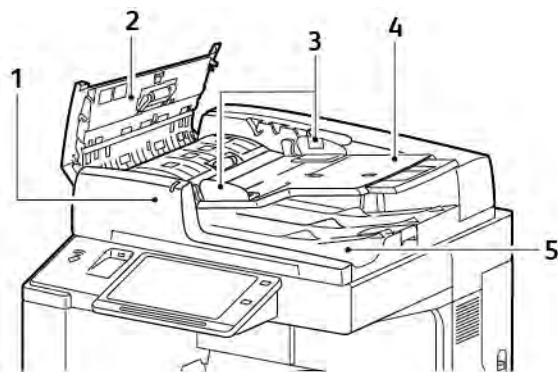
Parts of the Printer

Front View



- | | |
|----------------------|---|
| 1. Leveler Foot | 8. Control Panel |
| 2. Tray 5 | 9. Center Output Tray |
| 3. Left Tray | 10. Center Bottom Tray |
| 4. USB Port | 11. Main Power Switch behind Front Door |
| 5. Document Cover | 12. Trays 1–4 |
| 6. Document Glass | 13. Locking Casters |
| 7. Power/Wake Button | |

Duplex Automatic Document Feeder



- | | |
|---------------------------|--|
| 1. Confirmation Indicator | 5. Document Output Tray |
| 2. Top Cover | 6. Constant Velocity Transport (CVT) Glass |
| 3. Document Guides | 7. Document Glass |
| 4. Document Feeder Tray | |

Duplex Automatic Document Feeder Guidelines

The duplex automatic document feeder scans both sides of 2-sided documents at the same time. The confirmation indicator illuminates when you load the original documents correctly. The duplex automatic document feeder automatically detects standard paper sizes.

The duplex automatic document feeder accommodates the following paper sizes and weights:

- Original document weights: 38–128 g/m².
- Original document sizes: 85 x 125 mm (3.3 x 4.9 in.) through 297 x 432 mm (11.7 x 17 in.).
- Original document quantity: 130 sheets of 80 g/m² paper.

Follow these guidelines when loading original documents into the duplex automatic document feeder:

- Load original documents face up so that the top of the document enters the feeder first.
- Place only loose sheets of undamaged paper in the duplex automatic document feeder.
- Adjust the paper guides so that they fit against the original documents.
- Insert paper in the duplex automatic document feeder only when ink on the paper is dry.
- Do not load original documents above the MAX fill line.

Document Glass Guidelines

Lift the document feeder cover and place the first page face down in the upper-left corner of the document glass. Align the original documents to the matching paper size printed on the edge of the glass.

- The document glass accepts paper sizes up to 297 x 432mm (11.7 x 17in.).
- The document glass automatically detects standard paper sizes.

Use the document glass rather than the duplex automatic document feeder to copy or scan the following types of original documents:

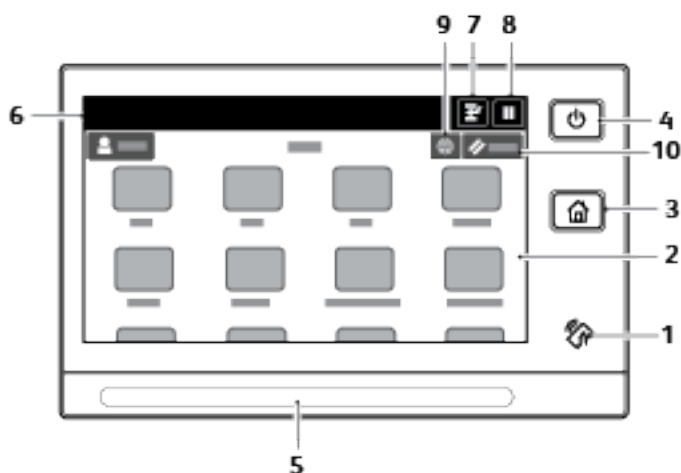
- Paper with paper clips or staples attached
- Paper with wrinkles, curls, folds, tears, or notches
- Coated or carbonless paper or items other than paper, such as cloth or metal
- Envelopes
- Books

Control Panel




The control panel consists of a touch screen and buttons you press to control the functions available on the printer. The control panel:

- Displays the current operating status of the printer.
- Provides access to print, copy, and scan features.
- Provides access to reference materials.
- Provides access to Tools and Setup menus.
- Prompts you to load paper, replace supplies, and clear jams.

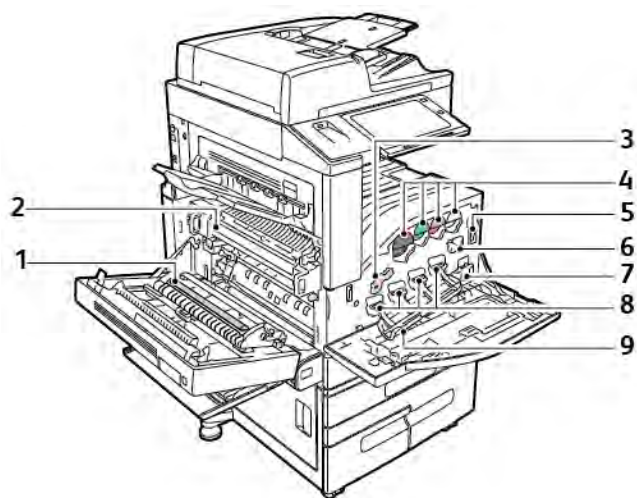
- Displays errors and warnings.
- Provides the Power/Wake button used for powering on or off the printer. This button also supports the power-saver modes, and blinks to indicate the power status of the printer.



Item	Name	Description
1	NFC Area	Near Field Communication (NFC), is a technology that enables devices to communicate when they are within 10 cm (4 in.) of each other. Use the NFC area to obtain a network interface or to establish a TCP/IP connection between your device and the printer.
2	Touch Screen Display	The screen displays information and provides access to printer functions.
3	Home Button	This button provides access to the Home menu for access to printer features, such as copy, scan, and fax.
4	Power/Wake	<p>This button serves several power-related functions.</p> <ul style="list-style-type: none"> • When the printer is powered off, this button powers on the printer. • When the printer is powered on, pressing this button displays a menu on the control panel. From this menu, you can choose to enter Sleep mode, restart, or power off the printer. • When the printer is powered on, but in Sleep mode, pressing this button wakes the printer. • When the printer is powered on, holding this button for 10 seconds turns off the printer. <p>This button blinks to indicate the power status of the printer.</p> <ul style="list-style-type: none"> • When the light blinks slowly, the printer is in Sleep mode. • When the light blinks rapidly, the printer is powering down.
5	Status LED	<p>This light blinks blue or amber to indicate printer status.</p> <p>Blue</p>

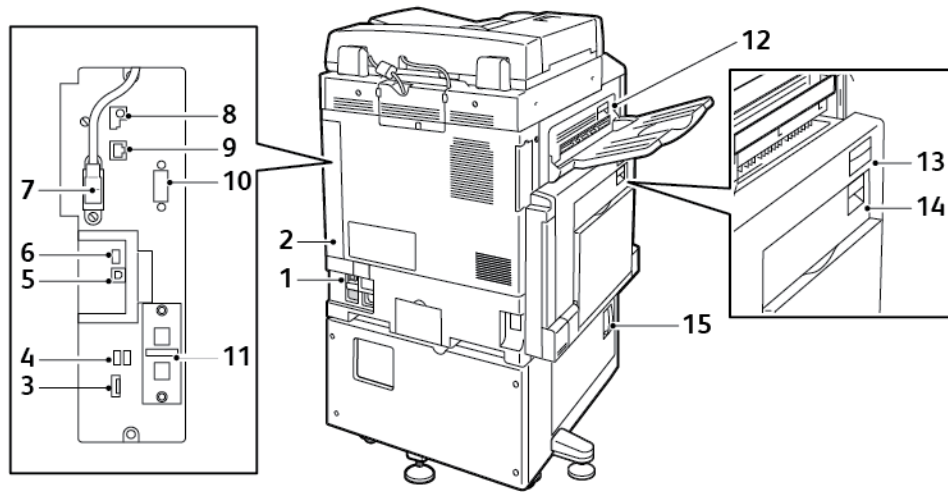
Item	Name	Description
		<ul style="list-style-type: none"> • Blinks blue once to acknowledge a successful Authentication request. • Blinks blue once slowly for a copy or print job initiated at the control panel. • Blinks blue twice slowly for fax or print job received from the network. • Blinks blue rapidly while the printer is powering up, or to signal detection of a Wi-Fi Direct connection request. <p>Amber</p> <ul style="list-style-type: none"> • Blinks amber to indicate an error condition or warning that requires your attention. For example, an out-of-toner condition, a paper jam, or out of paper for the current job. • Blinks amber to indicate a system error, which typically is associated with an error code.
6	Notification Area	Notifications are displayed above the Apps area. To view the full notification, touch the notification area. After you have reviewed the information, touch X .
7	Interrupt Button	<p>This button pauses the current job to run a more urgent job.</p> <p> Note: This option may be hidden from view. To enable Interrupt, refer to the <i>System Administrator Guide</i> at www.xerox.com/support/ALC80XXdocs.</p>
8	Pause Button	Use this button to pause the current job. The job pauses with the option to resume printing or delete the job.
9	Language Button	<p>The Language button allows you to set the language that appears temporarily on the control panel display.</p> <p> Note: This option may be hidden from view. For details, see the <i>System Administrator Guide</i> at www.xerox.com/support/ALC80XXdocs.</p>
10	Reset	<p> Note: Use the Reset button to reset all the apps to their default settings.</p>

Internal Parts



- | | |
|---------------------------------|--------------------------|
| 1. Second Bias Transfer Roller | 6. Transfer Belt Cleaner |
| 2. Fuser Assembly | 7. Waste Container |
| 3. Drum Cartridge Release Lever | 8. Drum Cartridges |
| 4. Toner Cartridges | 9. Drum Cartridge Cover |
| 5. Main Power Switch | |

Rear View

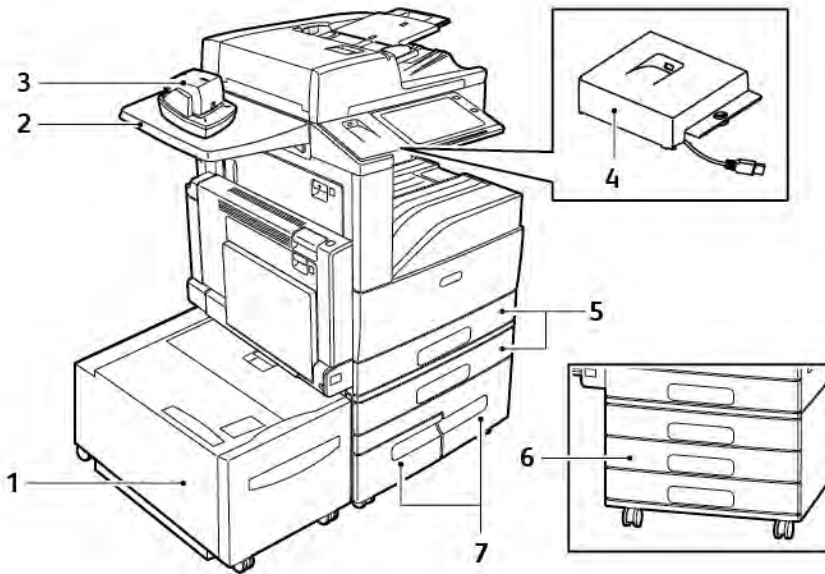


- | | |
|---|---|
| 1. Circuit Breaker | 9. Ethernet Connection |
| 2. Rear Right Cover | 10. Foreign Device Interface (optional) |
| 3. USB Memory Card Connections and SIM Slot | 11. Fax Connections (optional) |
| 4. USB Port, Type A | 12. Door D Release Lever |
| 5. USB Port, Type B | 13. Door A Release Lever |
| 6. Status Indicator | 14. Door B Release Lever |
| 7. Side 2 Scan Cable | 15. Door C Release Lever |
| 8. Data Port, for service only | |



Note: Ensure that the rear right cover is attached. To connect an interface cable, open this cover.

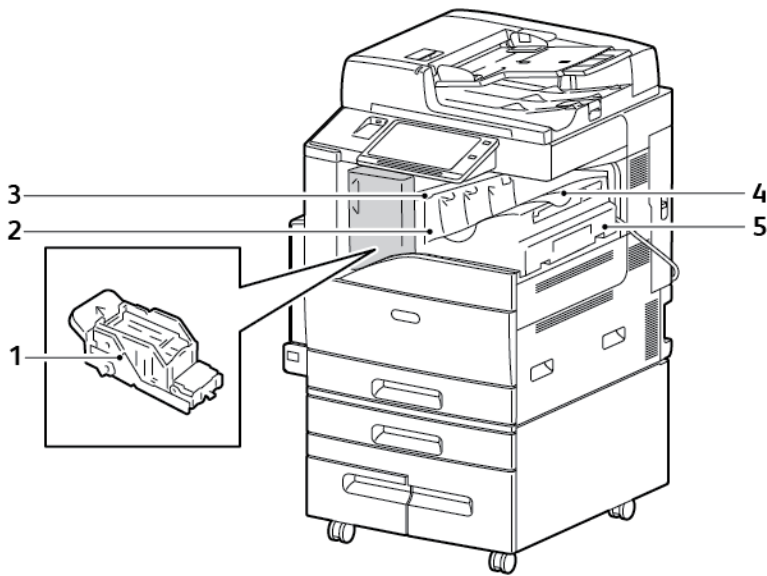
Configurations and Options



- 1. Tray 6 - High Capacity Feeder
- 2. Work Surface
- 3. Convenience Stapler
- 4. RFID Kit
- 5. Trays 1 and 2
- 6. Trays 2–4 of the 3-Tray Module
- 7. Trays 3 and 4 of the High-Capacity Tandem Tray Module

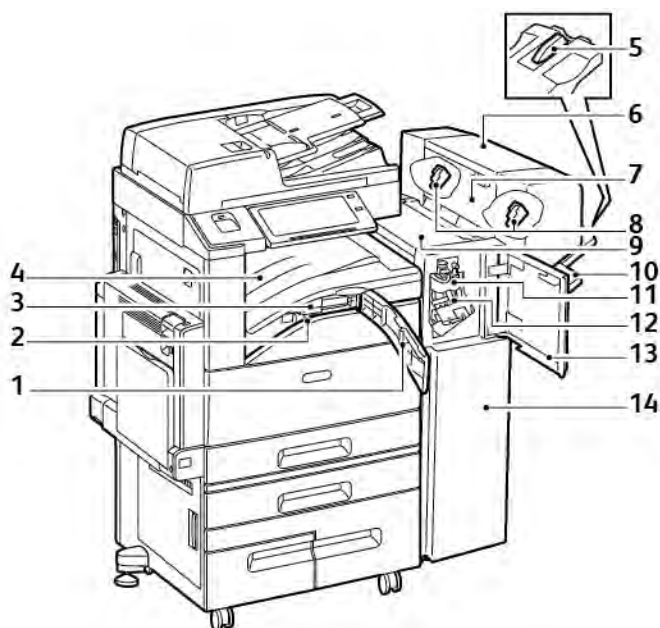
Finishing Options

Integrated Office Finisher



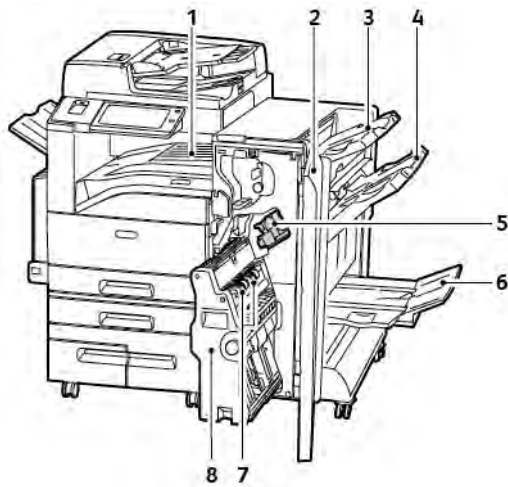
1. Staple Cartridge
2. Finisher Front Door
3. Finisher Top Cover
4. Center Tray
5. Integrated Office Finisher

Office Finisher LX



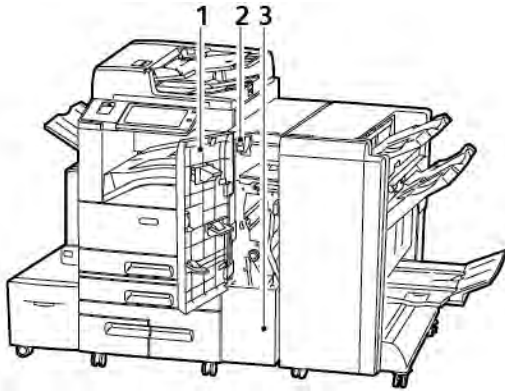
- | | |
|--|--|
| 1. Front Transport Cover | 8. Booklet Maker Staple Cartridge (optional) |
| 2. Hole Punch Waste Container (optional) | 9. Finisher Top Cover |
| 3. Hole Punch Unit (optional) | 10. Right Tray |
| 4. Center Tray | 11. Creaser Unit (optional) |
| 5. Right Tray Attachment | 12. Staple Cartridge |
| 6. Booklet Maker (optional) | 13. Finisher Front Cover |
| 7. Booklet Maker Side Cover (optional) | 14. Office Finisher LX |

Business Ready Finisher with Optional Booklet Maker



- | | |
|------------------------------|------------------------|
| 1. Horizontal Transport Unit | 5. Staple Cartridge |
| 2. Finisher Front Cover | 6. Booklet Maker Tray |
| 3. Right Top Tray | 7. Booklet Staple Unit |
| 4. Right Middle Tray | 8. Booklet Maker Unit |

Business Ready Finisher with Optional C/Z Folder



1. Folder Front Cover
2. Folder Bin Release Button

3. Folder Bin


Paper Tray Options

Configuring Dedicated Paper Trays

The system administrator can set trays to Fully Adjustable mode or Dedicated mode. When a paper tray is set to Fully Adjustable mode, you can change paper settings each time that you load the tray. When a paper tray is set to Dedicated mode, the control panel prompts you to load a specific paper size, type, and color.

Your printer can have three high-capacity paper trays installed, depending on the configuration.

- High-Capacity Trays are configured as Dedicated trays.
- Trays 3 and 4 in the Tandem Module, and High Capacity Tray 6 hold A4-size (210 x 297 mm), Letter-size (8.5 x 11 in.), JIS B5-size (182 x 257 mm), or Executive-size (7.25 x 10.5 in.) paper.
- High-Capacity Trays are designed to hold larger amounts of paper for fewer printing interruptions.


 **Note:** To configure tray settings, refer to the *System Administrator Guide* at www.xerox.com/support/ALC80XXdocs.

Configuring Trays 3 and 4 of the Tandem Tray Module


Trays 3 and 4 in the Tandem Tray Module are high-capacity paper trays. Configure Trays 3 and 4 to support the paper in use.

If you are configuring the trays for the first time, configure them for the paper size that you need. If you change the paper size, reconfigure the tray for the new paper size. For details on supported paper sizes, refer to [Supported Standard Paper Sizes](#).

To configure Trays 3 and 4 in the Tandem Tray Module:

 **Note:** Before you make any tray adjustments, compare the paper size to the current Tray 3 and 4 configurations. If the paper size matches the tray configuration, no tray adjustment is needed.


1. Remove any paper from the tray.
2. Pinch the guide lock on the front paper guide, then slide the paper guide to the required paper size.
3. To lock the paper guides into place, release the guide lock.

 **Note:** The paper guides lock into place only at the designated standard paper sizes.

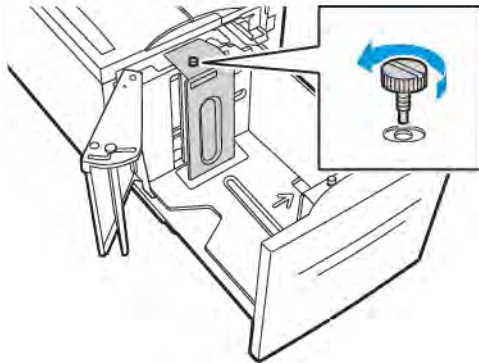
Configuring Tray 6

Tray 6 is a dedicated High-Capacity Tray. You can configure Tray 6 to support the paper size that you need. For details on supported paper sizes, refer to [Supported Standard Paper Sizes](#).

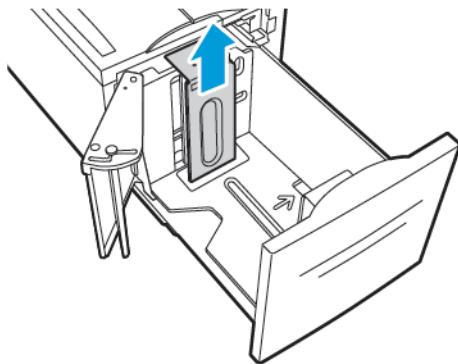
To configure Tray 6:

 **Note:** Before you make any tray adjustments, compare the paper size to the current Tray 6 configuration. If the paper size matches the tray configuration, no tray adjustment is needed.

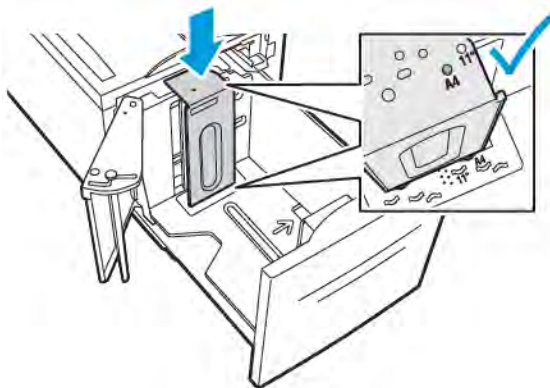
1. Remove the screw that holds the spacer plate at the back of the tray.



2. To remove the spacer plate, lift it up and out of the tray.

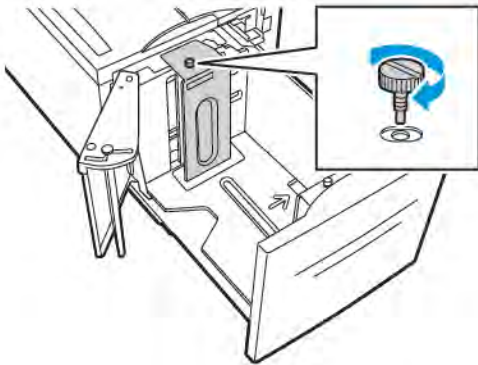


3. Place the tabs at the bottom of the spacer plate into the slots in the bottom of Tray 6 that correspond with the paper size.



Getting Started

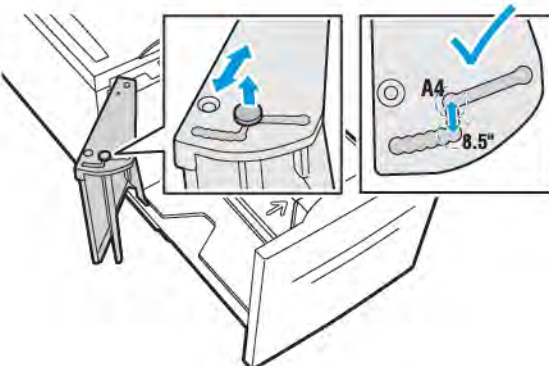
- Slide down the top of the spacer plate to engage the peg on the back of the tray into the matching hole in the spacer plate.
- Install the screw to secure the spacer plate.



- Repeat these steps to adjust the spacer plate at the front of Tray 6.



- On the top of the side gate, locate the pin.
- Lift the pin, then guide it into the desired paper size in the slot.
- To lock the side gate into place, release the pin.



Wireless Network Adapter

The wireless network adapter is a USB device that transfers data between the printer and a wireless local area network (LAN). The wireless network adapter supports common wireless security protocols, such as WEP, WPA, WPA2, and 802.1X standard port-based network access control.

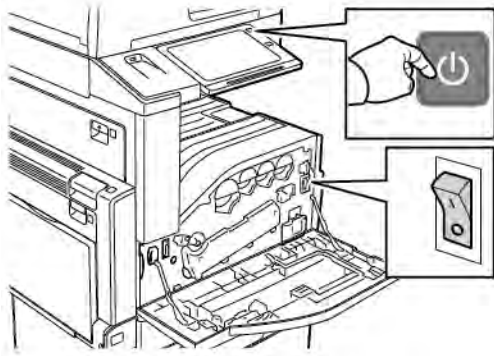
The wireless network adapter allows multiple users on a wireless LAN to print to and scan from Xerox® printers. The wireless network adapter also supports printers that include network scan and fax features.

Power Options

Powering On the Printer or Exiting Sleep Mode

The printer has two power switches. The main power switch, located behind the front door, controls the main power to the printer. The secondary power switch is the Power/Wake button on the control panel. The Power/Wake button controls power to the printer electronic components, and when powered off, initiates a software-controlled shutdown procedure. The preferred method to power on and off the printer is to use the Power/Wake button.

- To power on the printer, open the front door, then power on the main power switch. On the control panel, press the **Power/Wake** button.



- To enter Sleep mode, press the **Power/Wake** button.



Note:

- When in Sleep mode, the touch screen and scanner are powered off and unresponsive during a print job execution. To wake the printer manually, press the **Power/Wake** button.
- If Auto Power Off is enabled, the printer powers off automatically after the specified conditions are met. To enable Auto Power Off mode, contact your System Administrator. For details, refer to the *System Administrator Guide* at www.xerox.com/support/ALC80XXdocs.

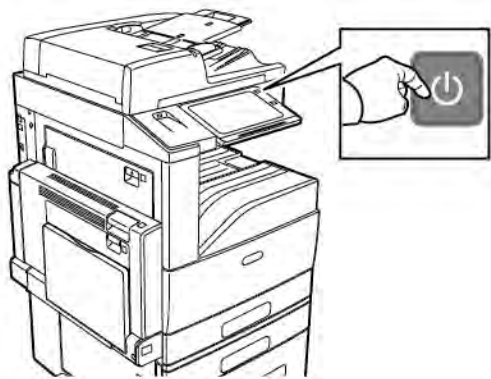


Caution: Do not plug or unplug the power cord while the printer is powered on.

Restarting, Placing in Sleep Mode, or Powering Off the Printer

To restart the printer, place the printer in Sleep Mode, or power off the printer:

1. At the printer control panel, press the **Power/Wake** button.



2. Select an option.
 - To restart the printer, touch **Restart**.
 - To place the printer in Sleep Mode, touch **Sleep**.

In Sleep Mode, the touch screen goes dark and the **Power/Wake** button flashes.

 - To power off the printer, touch **Power Off**.
 - If the printer does not respond to a single press of the **Power/Wake** button, then press and hold the button for 5 seconds. A Please Wait message appears as the printer powers down.

After 10 seconds, the touch screen goes dark and the **Power/Wake** button flashes until the printer powers down.

3. If you are powering off the printer for an extended period, open the printer front door, then power off the main power switch.



Caution: Do not unplug the power cord while the printer powers down.

Accessing the Printer

Authentication

Authentication is the process of confirming your identity. When the system administrator enables authentication, the printer compares the information that you provide to another source of information, such as an LDAP directory. The information can be a user name and password, or the information stored on a magnetic, proximity, RFID, or smart card. If the information is valid, you are considered an authenticated user.

There are several ways to authenticate a user:

- **User Name/Password - Validate on the Device:** This option enables local authentication. Users prove their identity by typing a user name and password at the control panel or in the Embedded Web Server. The printer compares the user credentials to the information stored in the user database. If there are a limited number of users, or you do not have access to an authentication server, use this authentication method.
- **User Name/Password - Validate on the Network:** This option enables network authentication. Users prove their identity by typing a user name and password at the control panel or in the Embedded Web Server. The printer compares the user credentials to the information stored on an authentication server.
- **Convenience Authentication:** If this option is enabled, a card with a magnetic strip or a Radio Frequency Identification (RFID) card is used. A convenience authentication card is different from a Smart Card, which uses an embedded chip and typically requires a login and password. If the optional integrated RFID reader is installed, for authentication, users place a pre-programmed card over the RFID reader at the control panel.
- **Xerox Secure Access - Unified ID System:** This option enables authentication for the Xerox Secure Access Unified ID System. Users present a pre-programmed identification card to a card reader at the control panel. The printer compares the user credentials to the information stored on the Xerox® Secure Access server.
- **Smart Cards:** This option enables authentication for a Smart Card Reader. Users insert a pre-programmed identification card in a card reader at the control panel.



Note: The system administrator can allow you to type your user name and password when Convenience Authentication or Smart Card is the primary authentication method. If the administrator configures an alternative authentication method, and you misplace your card, you can still access the printer.

For information about configuring Authentication settings, refer to the *System Administrator Guide* at www.xerox.com/support/ALC80XXdocs.

Authorization

Authorization is the function of specifying the features that users are allowed to access, and the process of approving or disapproving access. You can configure the printer to allow users to access the printer, but restrict access to certain features, tools, and apps. For example, you can allow users to access copying but restrict access to scanning. You can also control access to features at specific times of the day. For example, you can restrict a group of users from printing during peak business hours.

There are two types of authorization:

- **Local Authorization** verifies user information on the printer to approve access.
- **Network Authorization** verifies user information stored externally in a network database, such as an LDAP directory, to approve access.

For information about configuring Authorization settings, refer to the *System Administrator Guide* at www.xerox.com/support/ALC80XXdocs.

Personalization

Personalization is the process of customizing apps for a specific user. When a user logs in to the device and personalized information is required, the device searches an LDAP directory for the information. Personalized information examples are a Home destination or email address. The device uses the personalized information to complete the task.

For information about configuring settings, refer to the *System Administrator Guide* at www.xerox.com/support/ALC80XXdocs.

Accounting

Accounting is used to track and record the numbers of Copy, Print, Workflow Scanning, Server Fax, and Fax jobs that the device produces for each user. The system administrator must create user accounts and enable the accounting feature. After Accounting is enabled, log in to the printer to access restricted apps. Before printing documents from a computer, provide your account details in the print driver.

The system administrator can set limits to restrict the total number of jobs by type that a user can send to the printer. The administrator can generate reports listing usage data for individual users and groups.

For details, refer to the *System Administrator Guide* at www.xerox.com/support/ALC80XXdocs.

Logging In


Logging in is the process by which you identify yourself to the printer for authentication. If authentication is set, to access printer features, you log in with your user credentials.

Logging In at the Control Panel

 **Note:**

- Before logging in for the first time at the Xerox device control panel, log in to the Embedded Web Server, then update your password. For details, refer to [Logging In Using the Embedded Web Server](#).
- If you do not know your user name or password, contact your system administrator.

1. At the printer control panel, press the **Home** button.
2. Touch **Log In**.
3. For User Name, use the keypad and enter your name, then touch **Next**.
4. If prompted, enter the password, then touch **Done**.

 **Note:** To access each app that is password-protected, repeat steps 3 and 4.

Introduction to Xerox® Apps

Xerox® Apps are a gateway to the features and functions of your device. There are standard Apps already installed and displayed on the Home screen. Some Apps are installed as standard, but are hidden when you use your device for the first time. You can show, hide, or reorder Apps on the Home screen using the settings available in the Embedded Web Server.

For details about displaying, configuring, and customizing the Apps, refer to the *System Administrator Guide* at www.xerox.com/support/ALC80XXdocs.

A range of Apps are available for download and installation from the Xerox® App Gallery. These include Xerox® Extensible Interface Platform (EIP) Apps. EIP Apps enable you to install secure, signed apps on compatible printers.

For more information about using the Xerox® App Gallery and downloading Apps, refer to [Xerox® App Gallery](#).

Information Pages

Your printer has a set of information pages that you can print. These pages include configuration and font information, demonstration pages, and more.

To print an information page, select an option, then touch **Print**.

The following Information Pages are available:

Name	Description
Configuration Report	The Configuration Report provides printer information including the serial number, installed options, network settings, port setup, tray information, and more.
Billing Summary	The Billing Summary Report provides information about the device and a detailed listing of the billing meters and sheet counts.
Getting Started	The Getting Started guide provides an overview of the key features of the printer.
Troubleshooting Print Quality Page	The Troubleshooting Print Quality Page provides a list of common print-quality problems and tips to help solve them.
Supplies Usage Page	The Supplies Usage Page provides coverage information and part numbers for reordering supplies.
Graphics Demo Page	Print this page to check the quality of graphics.
PCL Font List	The PCL Font List provides a printout of all PCL fonts that are available on the printer.
PostScript Font List	The PostScript Font List provides a printout of all PostScript fonts that are available on the printer.

Configuration Report

The Configuration Report provides product information including installed options, network settings, port setup, tray information, and more.

Printing the Configuration Report

1. At the printer control panel, press the **Home** button.
2. Touch **Device** → **Information Pages**.

Getting Started

3. Touch **Configuration Report**, then touch **Print**.
4. To return to the Home screen, press the **Home** button.

The Embedded Web Server

The Embedded Web Server is the administration and configuration software that is installed in the printer. It allows System Administrators to modify network and system settings on the printer remotely using a Web browser.

You can check the status of the printer, monitor paper and supply levels, and submit and track print jobs. All these functions can be accessed from the convenience of your computer.

The Embedded Web Server requires:

- A TCP/IP connection between the printer and the network in Windows, Macintosh, UNIX, or Linux environments.
- TCP/IP and HTTP enabled in the printer.
- A network-connected computer with a Web browser that supports JavaScript.

Accessing the Embedded Web Server

At your computer, open a Web browser. In the address field, type the IP address of the printer, then press **Enter** or **Return**.

To use the Embedded Web Server, click the page required:


- **Home:** This page provides a description of the printer and current notifications, the status of the paper trays, and supplies and billing information. There is a Quick Links area at the bottom of the page that provides direct access to key functions and pages.
- **Jobs:** The Jobs page enables you to manage active jobs on the printer, view, print, and delete saved jobs, and create and manage saved job folders.
- **Print:** This page enables you to submit print-ready files to the printer for printing. You can select options for print jobs using this page. Only print-ready files can be submitted, for example PDF, PS, PCL, and XPS file formats.
- **Scan:** The Scan page enables you to create distribution workflows and mailboxes for scanned documents.
- **Address Book:** Use the Address Book page to create a Device Address Book containing contacts for use with the fax, email, and scanning apps. You can configure the printer to use a Network Address book that looks up addresses from an LDAP directory. The printer can also be configured to use a Network Address Book, which looks up addresses from an LDAP directory. If both the Address Book and Device Address Book are configured, users are presented with a choice when they use a compatible app.
- **Properties:** You can use the Properties tab to access and configure settings for your device. System administrator login credentials are required to change most settings.
- **Support:** This page provides access to general support information and telephone numbers. You can use the Support page to access the Remote Control Panel and send diagnostic information to Xerox.

The Embedded Web Server has a Help option that provides information about all available device features and functions. To access Help, click the **Help** link displayed at the bottom of each page. Navigate to the topic required, or use the **Search** function to find specific information.

For detailed instructions on how to use the Embedded Web Server to configure printer settings, refer to the *System Administrator Guide* at www.xerox.com/support/ALC80XXdocs.


Logging In Using the Embedded Web Server

To access certain features, tools, and apps, log in to the Embedded Web Server for your device.

 **Note:** Access to some restricted functions requires administrator rights. For more information, refer to the *System Administrator Guide* at www.xerox.com/support/ALC80XXdocs.

To log in to the Embedded Web Server:


1. At your computer, open a Web browser. In the address field, type the IP address of the printer, then press **Enter** or **Return**.
2. In the top right area of the page, click **Login**.
3. Enter your User ID and password, then click **Login**.
4. If you are logging in for the first time, set up a password.
 - a. Type the old password.
 - b. Type a new password. To verify the password, retype it.

 **Note:** The new password must adhere to all minimum password requirements. For details, contact your system administrator, or refer to the *System Administrator Guide* at www.xerox.com/support/ALC80XXdocs.

- c. Click **Save**. The new password is stored.

Finding the IP Address of Your Printer

To install the print driver for a network-connected printer, it is often necessary to know the IP address of your printer. Also, the IP address is used to access the settings of your printer through the Embedded Web Server. You can view the IP address of your printer on the control panel or on the Configuration Report.

 **Note:** To view the TCP/IP address on the control panel, wait until the printer has been on for 2 minutes. If the TCP/IP address is 0.0.0.0, or begins with 169, it indicates a network connectivity issue. However, if Wi-Fi is set as the primary Ethernet connection, 0.0.0.0 is displayed as the IP address for the printer.

Viewing the IP Printer Address on the Control Panel

To view the IP address of the printer on the control panel:

1. At the printer control panel, press the **Home** button.
2. Touch **Device**→**About**.
3. Record the IP address from the display.
4. To return to the Home screen, press the **Home** button.

Obtaining the Printer IP Address from the Configuration Report

To obtain the printer IP address from the Configuration Report:

1. At the printer control panel, press the **Home** button.
2. Touch **Device**→**About**→**Information Pages**.

3. Touch **Configuration Report**.

The IP address appears in the Connectivity section of the Configuration Report for IPv4 or IPv6.

4. To return to the Home screen, press the **Home** button.

Downloading the Configuration Report from the Embedded Web Server

From the Embedded Web Server, you can download and save a copy of the Configuration Report to your computer hard drive. Use Configuration Reports from multiple devices to compare software versions, configurations, and compliance information.

To download a copy of the Configuration Report from the Embedded Web Server:

1. At your computer, open a Web browser. In the address field, type the IP address of the printer, then press **Enter** or **Return**.



Note: For details about obtaining the IP address of your printer, refer to [Finding the IP Address of Your Printer](#).

2. To download the Configuration Report, scroll to the bottom of the page. In the Quick Links section, click **Download Configuration Report**.



Note: If the Download Configuration Report feature does not appear, log in as a system administrator.

The document is saved automatically as an XML file in the default download location on your computer hard drive. To open the Configuration Report, use an XML viewer.

Installation and Setup

For reference:

- *Installation Guide* packaged with your printer
- Online Support Assistant at www.xerox.com/support/ALC80XXdocs


Installation and Setup Overview

Before you print, ensure that your computer and the printer are plugged in, powered on, and connected. Configure the initial settings of the printer, then install the print driver software and utilities on your computer.

You can connect to your printer directly from your computer using USB, or connect to a network using an Ethernet cable or wireless connection. Hardware and cabling requirements vary for the different connection methods. Routers, network hubs and switches, modems, Ethernet cables, and USB cables are not included with your printer and must be purchased separately. Xerox recommends an Ethernet connection because it is typically faster than a USB connection, and it provides access to the Embedded Web Server.

For more information, refer to the *System Administrator Guide* at www.xerox.com/support/ALC80XXdocs.

Selecting a Location for the Printer

1. Select a dust-free area with temperatures from 10-28°C (50-83°F), and relative humidity 15-85 %.
 **Note:** Sudden temperature fluctuations can affect print quality. Rapid heating of a cold room can cause condensation inside the printer, directly interfering with image transfer.
2. Place the printer on a level, solid, non-vibrating surface with adequate strength to hold the weight of the printer. The printer must be horizontal with all four castors in solid contact with the surface. To find the weight for your printer configuration, refer to [Physical Specifications](#). Select a location with adequate clearance to access supplies and to provide proper ventilation. To find the clearance requirements for your printer, refer to [Clearance Requirements](#).
3. After positioning the printer, you are ready to connect it to the power source and computer or network.

Connecting the Printer

Connecting to a Wired Network

Use a Category 5 or better Ethernet cable to connect the printer to the network. An Ethernet network is used for one or more computers and supports many printers and systems simultaneously. An Ethernet connection provides direct access to printer settings using the Embedded Web Server.

To connect the printer:

1. Connect the power cord to the printer, then plug the cord into an electrical outlet.
2. Connect one end of a Category 5 or better Ethernet cable to the Ethernet port on the back of the printer. Connect the other end of the cable to a correctly-configured network port.
3. Power on the printer.

For details on configuring connection settings, refer to the *System Administrator Guide* at www.xerox.com/support/ALC80XXdocs.

Connecting to a Wireless Network

If you have purchased the Wireless Network Adapter, you can use the Wireless Wizard to connect the device to a wireless network. If the device is connected to a wired network, you can configure wireless settings in the Embedded Web Server.



Note:

- For more information, refer to the Xerox® Wireless Network Adapter Kit *Hardware Install and Setup* instructions that are included with the kit.
- The device uses either the wireless or the wired network connection. Activating one network connection deactivates the other network connection.

For details on configuring wireless network settings, refer to the *System Administrator Guide* at www.xerox.com/support/ALC80XXdocs.

Connecting with Wi-Fi Direct

You can connect to your printer from any Wi-Fi-enabled mobile device, such as a tablet, computer, or smart phone, using Wi-Fi Direct or Soft AP features. The Wi-Fi Direct feature is disabled by default on the Xerox device.



Note: The Wi-Fi Direct feature is available only on printers with the optional Wireless Network Adapter installed. After you install the Wireless Network Adapter, the Wi-Fi Direct feature is enabled by default.

Wi-Fi Direct Overview

The Wi-Fi Direct feature allows you to print from a mobile device to your printer, using one of the following methods.

- WPS push button, for Wi-Fi Direct-enabled Android devices with the Mopria print plug-in installed.
- Soft Access Point (AP), for Apple iPhones and other mobile devices that do not support the Wi-Fi Direct function.

Getting Started

For information about using the Wi-Fi Direct feature on your mobile device, or connecting to the printer using the Soft AP feature, refer the mobile device documentation from the manufacturer.

For information about configuring the Wi-Fi Direct feature on your printer, refer to the *System Administrator Guide* at www.xerox.com/support/ALC80XXdocs.

Using Wi-Fi Direct on Your Mobile Device

The Wi-Fi Direct WPS Push Button feature requires the Mopria Print Service App installed on your mobile device. The printer does not require a wireless connection.

Installing Mopria Print Service

1. On your mobile device, go to the Google Play Store, then search for **Mopria Print Service**.
2. Install the **Mopria Print Service** App.
3. Go to **Settings**, then touch **Printing**.
4. Go to the notification area, then touch **Mopria Print Service**.
5. To enable Mopria Print Service, touch **On**.
6. Exit **Settings**.

Your mobile device searches for Wi-Fi Direct-enabled printers that are in range of the mobile device.

Using Wi-Fi Direct on your Printer

Wi-Fi Direct is a direct wireless connection from your mobile device to the printer. The Wi-Fi Direct feature is enabled by default when the Wi-Fi hardware is installed.

Using the Wi-Fi Direct feature does not require a wireless network connection to a printer. Contact your System Administrator to connect your printer to a wired or wireless network.

Printing Using Wi-Fi Direct

To print a document from a Wi-Fi-enabled mobile device:

1. On the mobile device, open the document that you want to print.
2. In the device application, select the **Print** button.
3. If there is more than one printer in the area with Wi-Fi Direct enabled, select the required printer from the list.
4. Select the print settings required for the job.
5. Submit the job for printing.
A message appears on the mobile device.
6. Select **Connect**.
When the connection is made, a message appears on the printer.
7. At the printer control panel, touch **OK**.
The job prints.

Connecting to a Computer Using USB

Ensure that you have one of the following operating systems installed on your computer.

- Windows 7, Windows 8.1, Windows Server 2008, Windows 10, Windows Server 2008 R2, and Windows Server 2012.
- Macintosh OS X version 10.9 and later.
- UNIX and Linux: Your printer supports connection to various UNIX platforms through the network interface.

To connect the printer to the computer using a USB cable:

1. Connect the **B** end of a standard A/B USB 2.0 or USB 3.0 cable to the USB Port on the back of the printer.
2. Connect the **A** end of the USB cable to the USB port on the computer.
3. If the Windows Found New Hardware Wizard appears, cancel it.
4. Install the print driver.

For more information, refer to [Installing the Print Driver Software](#).

Connecting with Near Field Communication (NFC)


NFC Overview



Near field communication (NFC) is a technology that enables devices to communicate when they are in close range. NFC allows you to add a printer to your Android mobile device easily. After you add the printer, there is no need to use NFC on that printer. You can use NFC to obtain the network interface to establish a TCP/IP connection between your device and the printer.

Devices can communicate using NFC when they are within the following ranges:

- Device with case: 17–20 mm (0.7 x 0.8 in.)
- Device without case: 20–25 mm (0.8 x 1 in.)

 **Note:** The range can vary depending on the device manufacturer. For information about the required settings for individual mobile devices, refer the documentation supplied by the manufacturer of your mobile device.

For details about configuring NFC on your printer, refer to the *System Administrator Guide* at www.xerox.com/support/ALC80XXdocs.

Using NFC on your Mobile Device

The NFC feature requires installation of the Xerox Print Service app on the mobile device.

Your mobile device must use the same Wi-Fi network environment as the printer. The printer does not need to have a wireless connection.

 **Note:** NFC supports Android 4.4 or greater devices.

Getting Started

Installing the Xerox Print Service Plugin

1. On your mobile device, go to the Google Play Store, then search for **Xerox Print Service Plugin**.
2. Install the **Xerox Print Service Plugin** app.
3. Go to **Settings**, then touch **Printing**.
4. Go to the notification pull-down bar, then touch **Xerox Print Service**.
5. To enable **Xerox Print Service**, touch **On**.
6. Exit **Settings**.

Enabling NFC on the Mobile Device

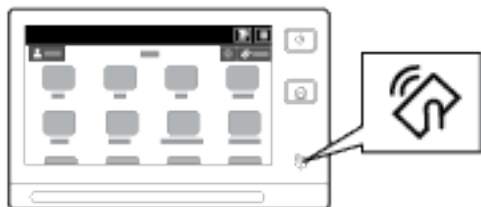
Most mobile devices have NFC disabled by default.

To enable NFC:

1. Go to **Settings**.
2. Go to the NFC setting, then touch **On**.
3. Exit **Settings**.

Using NFC on your Printer

The NFC chip is on the bottom right of the control panel. When NFC is enabled, the NFC icon is lighted, and you can use the NFC function.



Refer to your mobile device user documentation for the mobile device NFC chip location.

 **Note:** The NFC function must be enabled before use. For NFC enable instructions, refer to the *System Administrator Guide* at www.xerox.com/support/ALC80XXdocs.

Mapping the Printer to your Mobile Device

1. Open the **Xerox Print Service Plugin**.
2. At the top right side of the screen, touch the selection button, then select **Add Printer**.

3. Touch the **NFC** option.
4. Hold the mobile device over the NFC icon on the control panel.



The mobile device and the printer communicate with each other. The mobile device searches the network for the printer. When the printer is located, it is added to the list as a mapped printer.

You can submit print jobs from your mobile device to the printer.

Printing using Mopria

1. Open the document that you want to print.
2. At the top of the screen, select the **Print** button.
3. If there is more than one printer mapped for use with NFC, select the printer required.
4. Select the print settings required for the job.
5. Submit the job for printing.

Configuring AirPrint







AirPrint is a software feature that allows you to print documents from Apple iOS-based mobile devices and Mac OS-based devices without a print driver. AirPrint-enabled printers allow you to print or fax directly from a Mac or from an iPhone, iPad, or iPod touch. You can use AirPrint to print from a wired or wireless device directly without using a print driver. You can also use AirPrint to scan from a printer to supported Apple devices.



Note:

- Not all applications support AirPrint.
- When AirPrint is enabled, HTTP, IPP, and Multicast DNS are enabled automatically.
- IPP enablement requires a Web server reset.
- The device that submits the AirPrint job must be on the same subnet as the printer. To allow devices to print from different subnets, configure your network to pass multicast DNS traffic across subnets.
- Supported mobile devices: all models of iPad, iPhone 3GS or later, and iPod touch third generation or later, running the latest version of iOS.

Getting Started

- If AirPrint is not available on your device, contact your Xerox representative.
1. At your computer, open a Web browser. In the address field, type the IP address of the printer, then press **Enter** or **Return**.
 **Note:** If you do not know the IP address for your printer, refer to [Finding the IP Address of Your Printer](#).
 2. In the Embedded Web Server, click **Properties**→**Connectivity**→**Setup**.
 **Note:** If this feature does not appear, log in as a system administrator. For details, refer to the *System Administrator Guide* at www.xerox.com/support/ALC80XXdocs.
 3. For Mobile Workflows, for AirPrint, click **Edit**.
 4. Configure HTTP, IPP, and Multicast DNS Registration as required. To configure a protocol, click **Edit**.
 5. To enable AirPrint, for Enablement, select one or both options:
 - **Allow Printing/Faxing to be initiated From AirPrint Supported Devices**
 - **Allow Scanning to be initiated From AirPrint (or Mopria) Supported Devices** **Note:**
 - AirPrint Faxing is supported only on devices that have embedded fax enabled and are configured to allow sending.
 - AirPrint Printing/Faxing is enabled by default.
 - To require authentication for AirPrint Printing and Faxing, configure IPP authentication.
 - Enabling scanning for AirPrint also enables scanning for Mopria.
 6. For Require Authentication for Scanning, select an option:
 - **Off:** This option allows the device to scan without requiring authentication.
 - **HTTP Basic:** This option authenticates with user accounts that are configured in the device user database or in the network database.
 **Note:** HTTP Basic sends user login credentials as plain, unencrypted text over HTTP. To send encrypted login credentials, use HTTPS.
 - **HTTP Digest:** This option authenticates with user accounts that are configured in the device user database.
 7. If you selected HTTP Basic authentication, for Validation Location, select an option:
 - **Validation on the Device:** This option enables IPP authentication of user accounts that are configured in the device user database.
 - **Validation on the Network:** This option enables IPP authentication of user accounts that are configured on the network authentication server for the device.
 **Note:** The same network authentication configuration is used on the printer for each login method that is configured for Network Authentication.
 8. To edit the device name or location, for Device Name, Device Location, or Geographic Location, click **Edit**.
 **Note:** Providing a device name can help users identify the device.
 9. Click **Save**.

For additional information about AirPrint configuration and settings, refer to the *System Administrator Guide* at www.xerox.com/support/ALC80XXdocs.

Configuring Google Cloud Print

Google Cloud Print allows you to print documents from an Internet-connected device without using a print driver. Documents stored in the cloud, a personal computer, tablet, or smartphone can be sent to the printer from anywhere.

For more information on Google Cloud Print, including procedures for managing accounts, sharing printers, and printing, refer to the [Google Cloud Print Help Center](#).

Before you begin:

- Set up a Google email account.
- Configure the printer to use IPv4.
- Configure Proxy Server settings as needed.

To configure Google Cloud Print:

1. At your computer, open a Web browser. In the address field, type the IP address of the printer, then press **Enter** or **Return**.



Note: If you do not know the IP address for your printer, refer to [Finding the IP Address of Your Printer](#).

2. In the Embedded Web Server, click **Properties**→**Connectivity**→**Setup**.



Note: If this feature does not appear, log in as a system administrator. For details, refer to the *System Administrator Guide* at www.xerox.com/support/ALC80XXdocs.

3. For Mobile Workflows, for Google Cloud Print Service, click **Edit**.
4. For Status, for Registration Status, click **Register Printer**. The Printer Registration Options page opens.
5. To give the printer a user-friendly name, click **Edit**.



Note: Xerox recommends that you choose a user-friendly name that includes the printer location and department.

6. Click **Continue to Register**. The Options for Registering Your Printer page opens.
7. To change enablement settings, for Enablement, select options as needed.
8. Click **Register Printer**. The Google Cloud Print Service page reappears with a link that allows you to complete the device registration.



Note: If printer registration does not continue, to troubleshoot the problem, refer to the *System Administrator Guide* at www.xerox.com/support/ALC80XXdocs.

9. Within 15 minutes, click the link for **Enabled - Finish device registration**. The Google Cloud Print Printer confirmation page opens in a new browser tab.



Note:

- If prompted, log in to your Google account.
- If you do not click the link within 15 minutes, begin the registration process again.

10. Click **Finish printer registration**. A message confirms that the printer is registered. The Cloud Printer is now ready to print.
11. To access the Google Cloud Print feature, in your Google account, click **Manage Your Printer**.



Note: The default printer name appears in this format: Model name (MAC address).

For additional information about Google Cloud Print configuration and settings, refer to the *System Administrator Guide* at www.xerox.com/support/ALC80XXdocs.

Connecting to a Telephone Line



WARNING: To reduce the risk of fire, use only No. 26 American Wire Gauge (AWG) or larger telecommunication line cord.

1. Ensure that the printer is powered off.
2. Connect a standard RJ11 cable, No. 26 American Wire Gauge (AWG) or larger, to the Line port on the back of the printer.
3. Connect the other end of the RJ11 cable to an operating telephone line.
4. Power on the printer.
5. Enable and configure the Fax functions.

Optimizing Printer Performance

Several factors influence printer performance, including temperature, humidity, air pressure, and the chemical characteristics of the paper and coatings. The printer must form an electrostatic image on the paper, which depends on the ability of the air to hold and transfer electrical charges. The paper and coatings must hold an electrical charge in the areas where the toner must adhere.

To optimize the performance of your printer:

1. At the printer control panel, press the **Home** button.
2. Touch **Device**.
3. Touch **Tools**.
4. Touch **Troubleshooting** → **Calibration** → **Print Calibration** → **Next**.
5. Follow the onscreen instructions to run the Print Calibration procedure.

Initial Printer Setup

Before installing the printer software, verify that the printer is set up correctly. Setup includes enabling the optional features and assigning an IP address for the Ethernet network connection. Printer settings can be configured at the printer control panel or by using the Embedded Web Server. To configure settings at the printer control panel, the Installation wizard starts the first time that you power on the printer. The wizard prompts you with a series of questions to help configure basic printer settings.

The System Administrator can configure the following settings:

- Language
- Network Connection

- Proxy Server Setup
- Date and Time
- Measurements
- LDAP Settings
- Apps Setup
- Security Settings

For more information on configuring the printer settings at the control panel or using the Embedded Web Server, refer to the *System Administrator Guide* at www.xerox.com/support/ALC80XXdocs.

Updating the Printer System Software

Before installing print driver software, verify that the printer has the latest version of system software loaded. You can update your device when Xerox releases a new version of printer system software or firmware. To ensure a successful software update, follow the steps provided with the software files. Printer system software is downloaded from www.xerox.com/support/ALC80XXsupport.

Before you download and install new software, determine the current software version installed on your device. Print the Configuration Report to compare the system software version with the version available for download. For instructions about printing a Configuration Report, refer to [Printing the Configuration Report](#).

Follow the instructions provided with the software to download the files and upgrade your device. You can configure the device to connect routinely to an FTP directory on your network to update device software automatically. You can also update the device software manually. For more information about updating system operating software, refer to the *System Administrator Guide* at www.xerox.com/support/ALC80XXdocs.

Installing the Print Driver Software

Before installing print driver software, verify that the printer is plugged in, turned on, connected correctly, and has a valid IP address. If you cannot find the IP address, refer to [Finding the IP Address of Your Printer](#).

If the Software and Documentation disc is not available, download the latest drivers from www.xerox.com/support/ALC80XXdrivers.

Operating System Requirements

- Windows Vista SP2
- Windows 7, Windows 8, Windows 8.1, Windows 10
- Windows Server 2003 SP2 R2, Windows Server 2008 and R2, Windows Server 2012 and R2
- Mac OS 10.8, 10.9, 10.10, 10.11
- UNIX and Linux: Your printer supports connection to various UNIX platforms through the network interface.

Installing the Print Drivers for a Windows Network Printer

1. Insert the Software and Documentation disc into the appropriate drive on your computer. If the installer does not start automatically, navigate to the drive, and double-click the **Setup.exe** installer file.
2. Select your printer model.
3. Click **Install Drivers**.
4. Select **Install Print Driver**, **Install Scan Driver**, or **Install Print and Scan Drivers**.
5. At the License Agreement, click **I Agree**.
6. From the list of discovered printers, select your printer.



Note: When installing drivers for a network printer, if your printer does not appear in the list, click the **IP Address or DNS Name** computer icon. In the IP Address or DNS Name field, type the IP address of your printer, then click **Search** to locate and select your printer. If you do not know the IP address of the printer, refer to [Finding the IP Address of Your Printer](#).

7. Click **Next**.
8. If needed, you can name your printer by typing a name in the **Queue Name** field.
9. If installing a print driver, make a print driver selection.
10. If installing a scan driver, make a scan driver selection.
11. Click **Install**.
12. If needed, set the printer as the default printer.



Note: Before selecting **Share Printer**, contact your system administrator.

13. To complete the installation, click **Finish**, then click **Close**.

Installing the Print Drivers for a Windows USB Printer

1. Insert the Software and Documentation disc into the appropriate drive on your computer.
If the installer does not start automatically, navigate to the drive, and double-click the **Setup.exe** installer file.
2. Click **Install Software**.
3. At the License Agreement, select **I Agree**, then click **Next**.
4. To install the printer support software, select **Software**, then click **Next**.
5. In the Software and Documentation window, clear the check box for any undesired options.
6. Click **Next**.
7. To complete the installation, click **Finish**.

Installing the Print Drivers for Macintosh OS X

1. Insert the *Software and Documentation disc* into the appropriate drive on your computer.



Note: The latest print drivers are available for download from www.xerox.com/support/ALC80XXdrivers.

2. Open Xerox® Print Drivers 3.xx.x.dmg/.pkg as needed for your printer.
3. To run Xerox® Print Drivers 3.xx.x.dmg/.pkg, double-click the appropriate file name.
4. When prompted, click **Continue**.
5. To accept the license agreement, click **Agree**.
6. To accept the current installation location, click **Install**, or select another location for the installation files, then click **Install**.
7. If prompted, enter your password, then click **Install Software**.
8. From the list of discovered printers, select your printer, then click **Next**.
9. If your printer does not appear in the list of discovered printers:
 - a. Click the **IP Address** or **DNS Name** computer icon.
 - b. Type the IP address of your printer, then click **Continue**.
 - c. Select your printer in the list of discovered printers, then click **Continue**.
10. If your printer was not detected, verify that the printer is powered on and that the Ethernet or USB cable is connected properly.
11. To accept the print queue message, click **OK**.
12. Select or clear the **Set Printer as Default** and **Print Test Page** check boxes.
13. Click **Continue**, then click **Close**.

Installing Print Drivers and Utilities for UNIX, Linux and AS/400 Printing

UNIX-based printing uses LPD/LPR port 515 or lp to port 9100 to provide printer spooling and network print server functionality. Xerox® printers can communicate using either protocol.

Xerox® Printer Manager is an application that allows you to manage and print to multiple printers in UNIX and Linux environments. Xerox® Printer Manager allows you to:

- Configure and check the status of network connected printers.
- Set up a printer on your network and monitor the operation of the printer after installation.
- Perform maintenance checks and view supplies status at any time.
- Provide a common look and feel across the many different suppliers of UNIX and Linux operating systems.

To print from a Linux workstation, install either a Xerox® print driver for Linux or a CUPS print driver. You do not need both drivers. Xerox recommends that you install one of the full-featured custom print drivers for Linux. To locate drivers for your printer, go to www.xerox.com/support/ALC80XXdrivers.

For details about UNIX, Linux and AS/400 printing and drivers, refer to the *System Administrator Guide* at www.xerox.com/support/ALC80XXdocs.

Installing the Printer as a Web Service on Devices

Web Services on Devices (WSD) allow a client to discover and access a remote device and its associated services across a network. WSD supports device discovery, control, and use.

To install a WSD printer using the Add Device Wizard

1. At your computer, click **Start**, then select **Devices and Printers**.
2. To launch the Add Device Wizard, click **Add a Device**.
3. In the list of available devices, select the one you want to use, then click **Next**.



Note: If the printer you want to use does not appear in the list, click the **Cancel** button. Add the WSD printer manually using the Add Printer Wizard.

4. Click **Close**.

To install a WSD printer using the Add Printer Wizard

1. At your computer, click **Start**, then select **Devices and Printers**.
2. To launch the Add Printer Wizard, click **Add a Printer**.
3. Click **Add a network, wireless, or Bluetooth printer**.
4. In the list of available devices, select the one you want to use, then click **Next**.
5. If the printer you want to use does not appear in the list, click **The printer that I want is not listed**.
6. Select **Add a printer using a TCP/IP address or hostname**, then click **Next**.
7. From the Device type field, select **Web Services Device**.
8. Enter the printer IP address in the Hostname or IP address field, then click **Next**.
9. Click **Close**.

More Information

You can obtain more information about your printer from these sources:

Resource	Location
Installation Guide	Packaged with the printer.
Getting Started guide	Print from the control panel. For details, refer to Information Pages .
Other documentation for your printer	www.xerox.com/support/ALC80XXdocs
Recommended Media List	United States: www.xerox.com/rmlna European Union: www.xerox.com/rmleu
Technical support information for your printer, including online technical support, Online Support Assistant, and print driver downloads.	www.xerox.com/support/ALC80XXsupport
Information Pages	Print from the control panel. For details, refer to Information Pages .
Embedded Web Server information	In the Embedded Web Server, click Help .
Order supplies for your printer	www.xerox.com/supplies
A resource for tools and information, including interactive tutorials, printing templates, helpful tips, and customized features to meet your individual needs.	www.xerox.com/businessresourcecenter
Local sales and Technical Customer Support	www.xerox.com/worldcontacts
Printer registration	www.xerox.com/register
Xerox® Direct online store	www.direct.xerox.com/

Locating the Serial Number

When you order supplies or contact Xerox for assistance, you need the serial number of your device. You can obtain the serial number in several ways. To locate the serial number, print the Configuration Report. You can view the serial number on the control panel or on the Embedded Web Server home page. The serial number is printed on a label that is affixed to the printer. To view the label, open the left side door.

For details on how to print the Configuration Report, refer to [Information Pages](#).

To view the serial number on the control panel:

1. At the printer control panel, press the **Home** button.
2. Touch **Device**.
3. Touch **About**.

The model, serial number, and software version is displayed.

4. To return to the Home screen, press the **Home** button.

Customize and Personalize

This chapter contains:

- [Customize and Personalize Overview](#) 64
- [Customizing or Personalizing the Home Screen](#)..... 65
- [Customizing or Personalizing the Apps](#) 67
- [Creating and Using 1–Touch Apps](#)..... 69
- [Removing All Customizations](#) 71

Customize and Personalize Overview

This chapter provides information on how to customize and personalize your device to meet the specific demands of your workflows.



You can customize your apps, hide, or show apps on the Home screen, and rearrange the order to suit your job priorities. For each app, you can hide or show individual features and configure default settings to meet the needs of your workgroup. You can save job settings for repeated use.

Customization enables users to work more productively.



You can create 1-Touch Apps to save and simplify lengthy or frequent workflows. Once created, 1-Touch Apps appear on the Home screen. To start a job, touch the app.

Personalization options ensure that the features and functions displayed meet individual user needs, improving efficiency.

The customize and personalize settings are configured by a system administrator. For details, contact your system administrator, or refer to the *System Administrator Guide* at www.xerox.com/support/ALC80XXdocs.

System administrators can use the Fleet Orchestrator feature to clone and install 1-Touch Apps on other devices. For information about Cloning and using the Fleet Orchestrator feature, refer to the *System Administrator Guide* at www.xerox.com/support/ALC80XXdocs.

Customizing or Personalizing the Home Screen

Using the customization options, you can show, hide, or change the display order of apps for the Home screen.

Displaying or Hiding an App on the Home screen

To display or hide an app on the Home screen:

 **Note:** To use this feature, log in as a system administrator. For details, refer to the *System Administrator Guide* at www.xerox.com/support/ALC80XXdocs.

1. At the printer control panel, press the **Home** button.
2. Touch **Log In**. Type the User Name using the keypad, then touch **Next**. Type the Password using the keypad, then touch **Done**.
3. Scroll to the bottom, then touch **Customize**.
4. Touch **Customize Home**.
5. To display an installed, but hidden app:
 - a. Touch the **Plus (+)** icon.
 - b. Touch the app that you want to appear on the control panel.
6. To hide an installed app:
 - a. For the required app, touch **X**.
 - b. Touch **Hide**.
7. Touch **Done**.
8. Verify that only the required apps appear on the Home screen.

Rearranging Apps on the Home screen

To rearrange apps on the Home screen:

 **Note:** To use this feature, log in as a system administrator. For details, refer to the *System Administrator Guide* at www.xerox.com/support/ALC80XXdocs.


1. At the printer control panel, press the **Home** button.
2. Touch **Log In**. Type the User Name using the keypad, then touch **Next**. Type the Password using the keypad, then touch **Done**.
3. Scroll to the bottom, then touch **Customize**.
4. Touch **Customize Home**.
5. Touch and hold the required app, then drag the app to the new location. Release the app.
6. Touch **Done**.
7. Verify that the apps appear in the correct location on the Home screen.

Deleting an App from the Home Screen

To delete an app from the Home screen permanently:

 **Note:** To use this feature, log in as a system administrator. For details, refer to the *System Administrator Guide* at www.xerox.com/support/ALC80XXdocs.

1. At the printer control panel, press the **Home** button.
2. Touch **Log In**. Type the User Name using the keypad, then touch **Next**. Type the Password using the keypad, then touch **Done**.
3. Scroll to the bottom, then touch **Customize**.
4. Touch **Customize Home**.
5. To delete an installed app:
 - a. For the required app, touch **X**.
 - b. At the prompt, touch **Delete**.

 **Note:** Deletion is permanent. You cannot restore a deleted app.


6. Touch **Done**.
7. Verify that only the required apps appear on the Home screen.

Removing Customization From the Home Screen


To remove customization from the Home screen:

 **Note:** To use this feature, log in as a system administrator. For details, refer to the *System Administrator Guide* at www.xerox.com/support/ALC80XXdocs.

1. At the printer control panel, press the **Home** button.
2. Touch **Log In**. Type the User Name using the keypad, then touch **Next**. Type the Password using the keypad, then touch **Done**.
3. Scroll to the bottom, then touch **Customize**.
4. Select an option:
 - **Remove Home Customization:** This option removes all customization from the Home screen.

 **Caution:** The Remove Home Customization option removes customization from the Home screen, and other customized device settings.

- **Remove All Customizations:** This option removes all customizations for the device.

 **Note:** This option can cause deletion of 1-Touch, EIP, Single Touch, and Weblet apps.

5. At the prompt, touch **Remove**.
Apps appear in the default location on the Home screen.
6. Touch **Done**.

Customizing or Personalizing the Apps

The app customization options enable you to modify the features available, save app default settings, or remove customized settings applied to an app.

You can customize the Copy, ID Card Copy, Email, Fax, and Scan To apps for your device.

Customizing or Personalizing the Feature List

To customize the Features list for an app:



Note: To use this feature, log in as a system administrator. For details, refer to the *System Administrator Guide* at www.xerox.com/support/ALC80XXdocs.

1. At the printer control panel, press the **Home** button.
2. Touch **Log In**. Type the User Name using the keypad, then touch **Next**. Type the Password using the keypad, then touch **Done**.
3. Touch the app required.
4. Scroll to the bottom, then touch **Customize**.
5. Touch **Customize Feature List**.
6. Touch the required option.
 - To hide a feature, for the required feature, touch the **Eye** icon. To signify that the feature is hidden, the Eye icon appears with a line across it.
 - To show a feature, for the required feature, touch the **Eye** icon. To signify that a feature is visible, the Eye icon appears with no line across it.
7. To reorder the menu features, touch and drag the features into the appropriate order.
8. To save the current configuration, touch **Done**.

Showing all Features in the Features List

To show all the hidden features for an app:

1. At the printer control panel, press the **Home** button.
2. Touch the app required.
3. Select the job settings.
4. Scroll to the bottom, then touch **Show Additional Features**.

The hidden features list appears.

Saving App Default Settings

You can use this feature to save a particular combination of app settings as the default settings.

To save the current app settings as default settings:

 **Note:** To use this feature, log in as a system administrator. For details, refer to the *System Administrator Guide* at www.xerox.com/support/ALC80XXdocs.

1. At the printer control panel, press the **Home** button.
2. Touch **Log In**. Type the User Name using the keypad, then touch **Next**. Type the Password using the keypad, then touch **Done**.
3. Touch the app required.
4. Select the job settings that you want to save as the default settings.
5. Scroll to the bottom, then touch **Customize**.
6. Touch **Save Settings as Default**.

The new settings override the previous default settings.

Removing App Customization Using the Control Panel

To remove the current app customization settings:

 **Note:** To use this feature, log in as a system administrator. For details, refer to the *System Administrator Guide* at www.xerox.com/support/ALC80XXdocs.

1. At the printer control panel, press the **Home** button.
2. Touch **Log In**. Type the User Name using the keypad, then touch **Next**. Type the Password using the keypad, then touch **Done**.
3. Touch the app required.
4. Scroll to the bottom, then touch **Customize**.
5. Touch **Remove App Customizations**.
6. At the prompt, touch **Remove**.

Creating and Using 1–Touch Apps

You can use 1-Touch Apps to create individual apps for completing frequent jobs or tasks. After you create a 1-Touch App, the app appears on the printer Home screen. To run the job, load the original documents in the automatic document feeder or on the document glass, then touch the required 1-Touch App.

System administrators can use the Fleet Orchestrator feature to clone and install 1–Touch Apps on other devices. For information about Cloning and using the Fleet Orchestrator feature, refer to the *System Administrator Guide* at www.xerox.com/support/ALC80XXdocs.

Creating a 1–Touch App

To create a 1-Touch App:

 **Note:** To use this feature, log in as a system administrator. For details, refer to the *System Administrator Guide* at www.xerox.com/support/ALC80XXdocs.

1. At the printer control panel, press the **Home** button.
2. Touch **Log In**. Type the User Name using the keypad, then touch **Next**. Type the Password using the keypad, then touch **Done**.
3. Touch the app required.
4. Select the job settings.
5. Scroll to the bottom, then touch **Create 1–Touch App**.
6. Touch **Save as 1-Touch App**.
7. Touch the **Enter App Name** entry field, then use the keypad to enter a name. Touch **Next**.
8. Touch a color scheme option for your 1-Touch App, then touch **Next**.
9. Touch an icon that best suits the 1-Touch App that you are creating, then touch **Next**.
10. Touch the **Enter App Instructions** entry field, then use the keypad to enter instructions for users. Touch **Next**.

When the 1-Touch App is selected, the instructions appear at the top of the screen.

11. Touch the app settings required.
 - **Allows Editing Quantity:** Use this option to allow users to view and update the quantity.
 - **Show Feature Settings:** Use this option to display a summary of the features programmed for the 1-Touch App.
12. Touch **Done**.

The 1–Touch App appears on the Home screen.

Deleting or Hiding a 1–Touch App

To delete or hide a 1-Touch App from the Home screen:

 **Note:** To use this feature, log in as a system administrator. For details, refer to the *System Administrator Guide* at www.xerox.com/support/ALC80XXdocs.

1. At the printer control panel, press the **Home** button.
2. Touch **Log In**. Type the User Name using the keypad, then touch **Next**. Type the Password using the keypad, then touch **Done**.
3. Touch **Customize**.
4. Touch **Customize Home**.
5. For the required 1-Touch App, touch **X**, then touch an option.
 - **Delete:** Use this option to delete the 1-Touch App from the printer permanently.
 - **Hide:** Use this option to remove the 1-Touch App from the Home screen. The 1-Touch App is still available, and you can add the app to the Home screen at any time.
6. Touch **Done**.

Using a 1–Touch App

To use a 1-Touch App:


1. At the printer control panel, press the **Home** button.
2. Load the original documents in the automatic document feeder or on the document glass.
3. Select the 1-Touch App for your job.
4. Do one of the following.
 - For Copy Jobs, if you selected Allow Editing Quantity during 1-Touch App setup, update the number of copies, as required.
 - If you selected the Show Feature Settings option during the 1-Touch App setup, update the feature settings, as required.
5. Touch **Start**.
6. To return to the Home screen, press the **Home** button.

Removing All Customizations

To remove all customizations from the device:



Note: To use this feature, log in as a system administrator. For details, refer to the *System Administrator Guide* at www.xerox.com/support/ALC80XXdocs.

1. At the printer control panel, press the **Home** button.
2. Touch **Log In**. Type the User Name using the keypad, then touch **Next**. Type the Password using the keypad, then touch **Done**.
3. Scroll to the bottom, then touch **Customize**.
4. Touch **Remove All Customizations**.
 -  **Caution:** The Remove Home Customization option removes customization from the Home screen, and other customized device settings.
5. At the prompt, touch **Remove All**.

Xerox® Apps

This chapter contains:

• Xerox® App Gallery	74
• Device.....	77
• Jobs	81
• Copy	88
• ID Card Copy	101
• Email	102
• Workflow Scanning	106
• Scan To.....	116
• Fax.....	122
• Server Fax	132
• Internet Fax.....	135
• Print From.....	138

Xerox® Apps are a gateway to the features and functions of your device. There are standard Apps already installed and displayed on the Home screen. Some Apps are installed as standard, but are hidden when you use your device for the first time. You can show, hide, or reorder Apps on the Home screen using the settings available in the Embedded Web Server.

For details about displaying, configuring, and customizing the Apps, refer to the *System Administrator Guide* at www.xerox.com/support/ALC80XXdocs.

A range of Apps is available for download and installation from the Xerox® App Gallery. These apps include Xerox® Extensible Interface Platform (EIP) Apps. EIP Apps enable you to install secure, signed apps on compatible printers.

For more information about using the Xerox® App Gallery and downloading Apps, refer to [Xerox® App Gallery](#).

Xerox® App Gallery

Xerox® App Gallery Overview



Use the Xerox® App Gallery to find apps that provide new features or capabilities for your device. The Xerox® App Gallery provides direct access to apps that can improve your productivity, simplify workflows, and enhance your user experience.

The Xerox® App Gallery enables you to browse and update apps easily. You can browse through the App Gallery without logging in. The moving banner provides an active display of apps, or you can scroll the full list of apps. To get more details on an app, touch the app name in the list.

To use the Xerox® App Gallery App, ensure that your device uses either the wireless or the wired network connection.



Note: If a local server inside a firewall hosts your device and a proxy is enabled, set a proxy exception at the device.

For more information and instructions on using the Xerox® App Gallery, refer to the *Xerox® App Gallery User Guide* available at www.xerox.com/support/xerox-app-gallery.

Creating a Xerox® App Gallery Account

With an App Gallery account, you have direct access to all the available Apps for your device. An App Gallery account allows you to view and acquire Apps, install Apps on your device, and manage your Apps and licenses.

You can set up an App Gallery account using the control panel or the Xerox® App Gallery Web portal. For more information about the Xerox® App Gallery Web portal, refer to www.xerox.com/support/xerox-app-gallery.



Note: If you have an existing Xerox App Gallery Account, refer to [Logging in to your Xerox® App Gallery Account](#).

To create an App Gallery account using the Control Panel:

1. At the printer control panel, press the **Home** button.
2. Touch **Xerox App Gallery**.
3. Touch **Login**.
4. Touch **Request an Account**.
5. To enter a valid email address, use the touch screen keypad, then touch **OK**.

A message is displayed stating completion instructions have been sent to the email address entered.

6. Touch **Close**.
7. Access your email account for the email address that you provided to Xerox App Gallery.
8. Open the Xerox App Gallery Account Request email, then click the URL link for creating an account.

9. Review and accept the Terms of Use. To continue creating an account, click the **Agree** button.
10. Enter the information required into the appropriate fields:
 - User ID
 - Password
 - Confirm Password
 - First and Last Name
 - Company Name
 - Country
11. Click **OK**.
12. After the account is created, a confirmation message appears.
13. At the printer control panel, log in to your App Gallery Account.

Logging in to your Xerox® App Gallery Account

When you are logged in to the App Gallery, you can browse available Apps, and install and update Apps.



Note: The first time that any user logs in to the Xerox® App Gallery from the device, the Xerox® App Gallery software updates automatically. Once the upgrade completes, a message instructs the user to exit and reselect the Xerox® App Gallery. All future Xerox® App Gallery upgrades are manual and initiated by the user.

To log in to your App Gallery Account:

1. At the printer control panel, press the **Home** button.
2. Touch **Xerox App Gallery**.
3. To enter your User Name, use the touch screen keypad.
4. To enter your Password, use the touch screen keypad.
5. Touch **OK** or **Enter**. The Xerox® App Gallery opens.

Installing or Updating an App from the Xerox® App Gallery

Xerox® Apps add, extend, or customize the functionality of your device. You can use the Xerox® App Gallery App to browse and install Apps at your device control panel.

To install an App from the App Gallery:

1. At the printer control panel, press the **Home** button.
2. Touch **Xerox App Gallery**.
3. To enter your User Name, use the touch screen keypad.
4. To enter your Password, use the touch screen keypad.
5. Touch **OK** or **Enter**. The Xerox® App Gallery opens.
6. Touch the App required, then touch **Install**. The License Agreement screen appears.



Note: If the App was installed previously and a new version is available, the button is labeled as **Update**.

7. Touch **Agree**. The installation process begins.

If the App does not successfully install, to attempt the installation process again, touch **Install**.

8. To exit the Xerox® App Gallery App, touch **Exit**, or press the **Home** button.

Updating an App from the App Gallery

1. At the printer control panel, press the **Home** button.
2. Touch **Xerox App Gallery**.
3. To enter your User Name, use the touch screen keypad.
4. To enter your Password, use the touch screen keypad.
5. Touch **OK** or **Enter**. The Xerox® App Gallery opens.
6. Touch the App required, then touch **Update**. The License Agreement screen appears.
7. Touch **Agree**.
8. When the update is complete, the Update button is labeled as **Installed**.
9. To exit the Xerox® App Gallery App, touch **Exit**, or press the **Home** button.

Device

Device Overview













The Device App gives you access to information about your printer, including the serial number and model. You can view the status of the paper trays, billing and supplies information, and print information pages.

Many Device options can be configured to meet your individual needs. For details about configuring all of the Device settings, refer to the *System Administrator Guide* at www.xerox.com/support/ALC80XXdocs.

Device Options

The following Device options are available:

Option		Description
	About	The About option provides an overview of your device, the device serial number, and information about current settings.
	Information Pages	Your printer has a set of information pages that you can print. These pages include configuration and font information, demonstration pages, and more.
	Notifications	Use the Notifications option to see details of any current alerts or errors on the device. A Fault History button displays fault codes and the date that they occurred on the device.
	Paper Trays	Use the Paper Trays option to see the paper size, type, and color set for each paper tray and the tray-capacity status.
	Supplies	Use the Supplies section to monitor the status of the components you can replace. The supply level and estimated number of impressions or days left for each unit is displayed.
	Billing/Usage	Use the Billing/Usage option to view the serial number and the total number of impressions made by your device.

Option		Description
	Tools	Use the Tools option to customize settings such as the power-save modes, date and time, and control panel brightness. You can configure settings using the device control panel, or by using the Embedded Web Server.  Note: For details on configuring the printer settings, see the <i>System Administrator Guide</i> at www.xerox.com/support/ALC80XXdocs .
	Remote Services	Use the Remote Services option to send error and usage information to the Xerox support team.  Note: Your System Administrator must enable this feature using the Embedded Web Server.

For details on configuring the printer settings, refer to the *System Administrator Guide* at www.xerox.com/support/ALC80XXdocs.

About

The About option provides an overview of your device and its current settings and status. You can view the serial number, model number, and software version.

Information Pages

Your printer has a set of information pages that you can print. These pages include configuration and font information, demonstration pages, and more.

To print an information page, select an option, then touch **Print**.

The following Information Pages are available:

Name	Description
Configuration Report	The Configuration Report provides printer information including the serial number, installed options, network settings, port setup, tray information, and more.
Billing Summary	The Billing Summary Report provides information about the device and a detailed listing of the billing meters and sheet counts.
Getting Started	The Getting Started guide provides an overview of the key features of the printer.
Troubleshooting Print Quality Page	The Troubleshooting Print Quality Page provides a list of common print-quality problems and tips to help solve them.

Name	Description
Supplies Usage Page	The Supplies Usage Page provides coverage information and part numbers for reordering supplies.
Graphics Demo Page	Print this page to check the quality of graphics.
PCL Font List	The PCL Font List provides a printout of all PCL fonts that are available on the printer.
PostScript Font List	The PostScript Font List provides a printout of all PostScript fonts that are available on the printer.

Supply Status

You can check the status and percentage of life remaining for your printer supplies at the control panel or from the Embedded Web Server. When printer supplies near their replacement time, warning alerts appear on the control panel. You can customize the alerts that appear on the control panel and configure email alert notifications.

To check the supplies status at the control panel:

1. To view status information for the printer supplies, touch **Device** → **Supplies**.
2. To view details about a specific toner cartridge, including the part number for reordering, touch **Cyan, Magenta, Yellow, or Black**.
3. To view more details, touch **Other Supplies**. Scroll through the list, then select an option.
4. To print the Supplies Usage Page, touch **Print Supplies Report**.
5. To return to the Supplies screen, touch **X**.
6. To return to the Device screen, touch **X**.
7. To return to the Home screen, press the **Home** button.

To check the supplies status and set up alerts, use the Embedded Web Server. For details about configuring all Device settings, refer to the *System Administrator Guide* at www.xerox.com/support/ALC80XXdocs.

Billing and Usage Counters

The Billing/Usage menu displays the total number of impressions that the printer generated or printed during its lifetime. You cannot reset the counters. A page is counted as one side of a sheet of paper. For example, a sheet of paper that is printed on two sides counts as two impressions.

To view the Billing and Usage Counters:

1. At the printer control panel, press the **Home** button.
2. Touch **Device**→**Billing/Usage**.

The impression counts are displayed:

- **Black Impressions:** Total number of pages printed with no color specified.
 - **Color Impressions:** Total number of pages printed that specify color.
 - **Total Impressions:** Total number of color impressions and black impressions.
3. To view more details, touch **Usage Counters**, then select an option.
 - **Impression Counters:** This option provides the number of impressions made by the printer. The number of impressions cannot equal the number of sheets counted, depending on the printer setup. If your printer is set up to count large sheets as large impressions or as multiple smaller impressions, the number of impressions can differ.
 - **Sheet Counters:** This option provides the number of impressions made by the printer. Impressions for 2-Sided sheets are identified as a separate line from 1-Sided sheets.
 - **Images Sent Counters:** This option provides the number of images sent using the Fax, Email, or Scan features.
 - **Fax Impressions Counters:** This option provides the number of images sent using the Fax features. Each fax feature is identified on a separate line.
 - **All Usage Counters:** This option provides all printer usage information.
 4. After viewing the usage readings, to return to the Home screen, press the **Home** button.

Remote Services

You can use the Remote Services option to send error and usage information to the Xerox support team to help them resolve problems quickly.

For information about enabling Remote Services and uploading information to Xerox, refer to the *System Administrator Guide* at www.xerox.com/support/ALC80XXdocs.

Jobs

Jobs Overview



You can use Jobs to view current jobs, print saved and secure jobs, and view details about completed jobs. You can pause, delete, print, or view job progress or job details for a selected job.

Managing Jobs

From the control panel Jobs menu, you can view lists of active jobs, secure jobs, or completed jobs. You can interrupt, pause, or delete jobs that are printing. You can also view job progress or job details for a selected job.

A print job can be held by the printer when it is unable to complete the job. For example, if the printer needs attention, paper, or supplies. When the condition is resolved, the printer automatically resumes printing. When you send a Secure Print job, the job is held until you release it by entering a passcode at the control panel. For more details, refer to [Managing Special Job Types](#).

From the Jobs window in the Embedded Web Server, you can view a list of active and saved print jobs. For more details, refer to [Managing Jobs using the Embedded Web Server](#).

Interrupting Printing

1. At the control panel, touch the **Interrupt** button. The printer continues to print while it determines the best place to pause the spooled print job.
2. Printing stops to allow the printer to complete another job.
3. To resume printing, touch the **Interrupt** button again.

Pausing or Deleting a Print Job

1. At the printer control panel, press the **Home** button.
2. To pause a job that is printing, touch the pause button on the control panel.
3. Select a task.
 - To resume the print job, touch **Resume**.
 - To delete the print job, touch **Delete**. At the prompt, touch **Delete**.
4. To return to the Home screen, press the **Home** button.

Pausing, Promoting, or Deleting a Job Waiting to Print

1. At the printer control panel, press the **Home** button.
2. Touch **Jobs**, then touch the name of the desired print job.

3. Select a task.



Note: If you do not make a selection, the job automatically resumes after the set timeout period.

- To pause the print job, touch **Hold**. To resume the print job, touch **Release**.
- To delete the print job, touch **Delete**. At the prompt, touch **Delete**.
- To move the job to the top of the list, touch **Promote**.
- To view the status of the job, touch **Job Progress**.
- To view information about the job, touch **Job Details**, then touch **Job Settings** or **Required Resources**.

4. To return to the Home screen, press the **Home** button.



Note:

- The system administrator can restrict users from deleting jobs. If a system administrator has restricted job deletion, you can view the jobs, but cannot delete them.
- Only the user that sent the job, or the system administrator, can delete a Secure Print job.

Printing a Job Held for Resources

1. At the printer control panel, press the **Home** button.
2. Touch **Jobs**.
3. From the jobs list, touch the held job name. The resources required for the job appear on the control panel.
4. Do one of the following steps.
 - To print the job, replenish the resources required. The job resumes automatically when the required resources are available. If the job does not print automatically, touch **Resume**.
 - To choose an alternative paper source to enable the job to print, touch **Print On Alternate Paper**. Select a paper tray, then touch **OK**.
 - To delete the print job, touch **Delete**. At the prompt, touch **Delete**.



Note: The Print On Alternate Paper option is enabled using the Embedded Web Server. For details about the Print On Alternate Paper option, refer to the *System Administrator Guide* at www.xerox.com/support/ALC80XXdocs.

5. To return to the Home screen, press the **Home** button.

Managing Special Job Types

Special job types allow you to send a print job from your computer, then print it from the printer control panel. Select special job types in the print driver, Printing Options tab, under Job Type.

Saved Job

Saved Jobs are documents sent to the printer and stored there for future use. All users can print or delete a Saved Job.

On the control panel, from the Print From menu, you can view and print saved jobs. In the Embedded Web Server, on the Jobs window, you can view, print, and delete saved jobs, and you can manage

where jobs are stored.

To print a saved job from the control panel, refer to [Printing from Saved Jobs](#).

Printing using Saved Job

1. In your software application, access the print settings. For most software applications, press **CTRL+P** for Windows or **CMD+P** for Macintosh.
2. Select your printer, then open the print driver.
 - For Windows, click **Printer Properties**. Depending on your application, the title of the button can vary.
 - For Macintosh, in the Print window, in the print options list, click **Xerox Features**.
3. For Job Type, select **Saved Job**.
 - a. Type a job name or select a name from the list.
 - b. Type a folder name or select a name from the list.
 - c. To add a passcode, click **Private**, type the passcode, then confirm the passcode.
 - d. Click **OK**.
4. Select other required printing options.
 - For Windows, click **OK**, then click **Print**.
 - For Macintosh, click **Print**.

Printing deleting, moving, or copying a saved job in the Embedded Web Server

1. At your computer, open a Web browser. In the address field, type the IP address of the printer, then press **Enter** or **Return**.
2. In the Embedded Web Server, click **Home**.
3. Click **Jobs**.
4. Click the **Saved Jobs** tab.
5. For the job that you want to process, select the check box.
6. From the menu, select an option.
 - **Print Job**: This option prints a job immediately.
 - **Delete Job**: This option deletes the saved job.
 - **Move Job**: Use this option to move the job to another folder location.
 - **Copy Job**: Use this option to duplicate the job.
7. Click **Go**.

Secure Print

Use Secure Print to print sensitive or confidential information. After you send the job, it is held at the printer until you enter your passcode at the printer control panel.

After a Secure Print job is printed, it is deleted automatically.

Printing using Secure Print

1. In your software application, access the print settings. For most software applications, press **CTRL +P** for Windows or **CMD+P** for Macintosh.
2. Select your printer, then open the print driver.
 - For Windows, click **Printer Properties**. Depending on your application, the title of the button varies.
 - For Macintosh, in the Print window, click **Preview**, then select **Xerox Features**.
3. For Job Type, select **Secure Print**.
4. Type the passcode, confirm the passcode, then click **OK**.
5. Select any other required printing options.
 - For Windows, click **OK**, then click **Print**.
 - For Macintosh, click **Print**.

Releasing a Secure Print job

1. At the printer control panel, press the **Home** button.
2. Touch **Jobs**.
3. To view Secure Print jobs, touch **Personal & Secure Jobs**.
4. Touch your folder.
5. Enter the passcode number, then touch **OK**.
6. Select an option:
 - To print a Secure Print job, touch the job.
 - To print all the jobs in the folder, touch **Print All**.
 - To delete a Secure Print job, touch the **Trash** icon. At the prompt, touch **Delete**.
 - To delete all the jobs in the folder, touch **Delete All**.



Note: After a Secure Print job is printed, it is deleted automatically.

7. To return to the Home screen, press the **Home** button.

Sample Set

The Sample Set job type prints one copy of a multiple-copy print job before printing the remaining copies. After reviewing the sample set, you can either print the remaining copies or delete them at the printer control panel.

Sample Set is a type of saved job with these features:

- A Sample Set job appears in a folder named after the user ID associated with the print job.
- A Sample Set job does not use a passcode.
- Any user can print or delete a Sample Set job.
- A Sample Set prints one copy of a job to allow you to proofread the job before printing any remaining copies.

After a Sample Set job is printed, it is deleted automatically.

To print a Sample Set, refer to [Printing using Sample Set](#).

Printing using Sample Set

1. In your software application, access the print settings. For most software applications, press **CTRL+P** for Windows or **CMD+P** for Macintosh.
2. Select your printer, then open the print driver.
 - For Windows, click **Printer Properties**. Depending on your application, the title of the button varies.
 - For Macintosh, in the Print window, click **Preview**, then select **Xerox Features**.
3. For Job Type, select **Sample Set**.
4. Select any other required printing options.
 - For Windows, click **OK**, then click **Print**.
 - For Macintosh, click **Print**.

Releasing a Sample Set

1. At the printer control panel, press the **Home** button.
2. To view available jobs, touch **Jobs**.
3. Touch the Sample Set job.



Note: The Sample Set file description shows the job as Held for Future Printing, and shows the number of remaining copies of the job.

4. Select an option.
 - To print the remaining copies of the job, touch **Release**.
 - To delete the remaining copies of the job, touch **Delete**.
5. To return to the Home screen, press the **Home** button.

Managing Jobs using the Embedded Web Server


In the Embedded Web Server Active Jobs list, you can view a list of active jobs and delete print jobs. You can use the Embedded Web Server to submit jobs for printing at the device. You can use the Job Submission feature to print .ps, .pdf, .pcl, and .xps files without installing a print driver. You can select jobs for printing from your local computer hard drive, mass storage devices, or a network drive.

Saved jobs are documents sent to the printer and stored there for future use. Any saved jobs appear on the Saved Jobs page. Use the Saved Jobs page to view, print, and delete saved jobs, and create and manage folders in which they are stored.

To manage jobs using the Embedded Web Server:

1. At your computer, open a Web browser. In the address field, type the IP address of the printer, then press **Enter** or **Return**.
2. In the Embedded Web Server, click **Jobs**.
3. Click the job name.
4. From the menu, select an option.
 - To pause the print job, click **Pause**, then click **Go**.
 - To delete the print job, click **Delete**, then click **Go**. At the prompt, click **OK**.
5. To return to the Home screen, click **Home**.

Submitting Jobs for Printing using the Embedded Web Server

1. At your computer, open a Web browser. In the address field, type the IP address of the printer, then press **Enter** or **Return**.
 2. In the Embedded Web Server, click **Home**.
 3. Click **Print**.
 4. For File Name, click **Browse** or **Choose File**, then do one of the following steps.
 - Navigate to the file, then select it.
 - Type the path to the file that you want to select.
 5. In the Printing area, for Copies, select **Auto**, or enter the number of copies to print.
 6. For Job Type, select an option:
 - **Normal Print:** This option prints a job immediately.
 - **Secure Print:** This option prints a job after you enter your passcode at the printer control panel.
 - **Sample Set** or **Proof Print:** These options print one copy of a multiple-copy print job. The device holds the remaining copies in memory until you release them for printing at the control panel.
 - **Save Job for Reprint:** This option saves a print job in a folder on the print server for future printing. You can specify a job name and folder.
 - **Delay Print:** This option prints a job at a specified time up to 24 hours from the original job submission.
 7. As needed, for Paper Selection, select paper size, color, type, and tray.
 8. As needed, select job options.
 - 2-Sided Printing
 - Collate
 - Orientation
 - Staple
 - Folding
 - Output Destination
-  **Note:** The available options vary by device.
9. If Accounting is enabled, enter your User ID and Account ID.
 10. Click **Submit Job**.

Reprinting Saved Jobs using the Embedded Web Server

1. At your computer, open a Web browser. In the address field, type the IP address of the printer, then press **Enter** or **Return**.
2. In the Embedded Web Server, click **Home**.
3. Click **Jobs**.
4. Click the **Saved Jobs** tab.
5. For the job that you want to process, select the check box.

6. From the menu, select an option.
 - **Print Job:** This option prints a job immediately.
 - **Delete Job** This option deletes the saved job.
 - **Move Job:** Use this option to move the job to another folder location.
 - **Copy Job:** Use this option to duplicate the job.
7. Click **Go**.

Copy

Copy Overview



To make a copy, the device scans your original documents and temporarily stores the images. It then prints the images based on the options that you selected. You can change settings for individual jobs based on the original documents. You can save settings that you use for regular jobs and retrieve them for later use.

For details on configuring and customizing the Apps, refer to the *System Administrator Guide* at www.xerox.com/support/ALC80XXdocs.

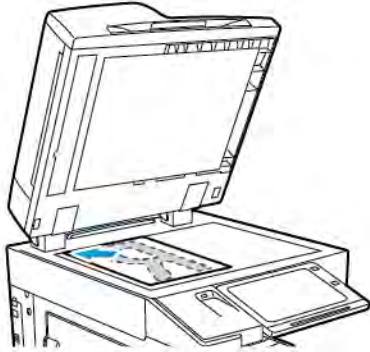
If Authentication or Accounting is enabled on your device, to access Copy features, enter your login details.

For information about all the App features and available settings, refer to [Apps Features](#).

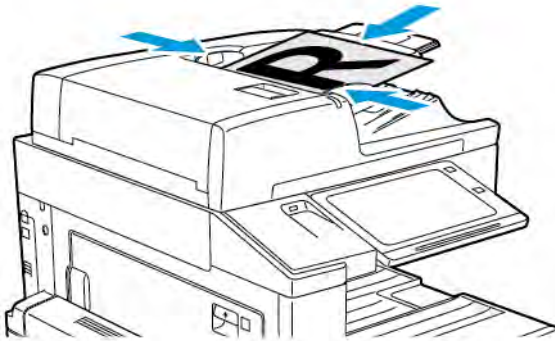
Making a Copy


To make a copy:

1. Load your original documents.
 - For single pages or paper that cannot be fed using the duplex automatic document feeder, use the document glass. Lift the duplex automatic document feeder, then place the original document face down in the upper-left corner of the document glass.



- For multiple, single, or 2-sided pages, use the duplex automatic document feeder. Remove any staples and paper clips from the pages. Insert the original documents face up in the duplex automatic document feeder, with the top of the page entering the feeder first. Adjust the paper guides so that they fit against the original documents.



 **Note:** When the original documents are detected, the automatic document feeder confirmation indicator LED illuminates.

2. At the printer control panel, press the **Home** button.
3. Touch **Copy**.
4. To clear previous app settings, touch **Reset**.
5. To enter the number of copies needed, use the numeric keypad.
6. Adjust copy settings as needed.
 - To scan more documents using the document glass, or to change settings for different sections of the job, touch **Build Job**.
 - If you are scanning from 2-sided original documents, touch **2-Sided Copying**, then select an option.

For details about available features, refer to [Apps Features](#).

7. Touch **Start**. If you placed documents in the feeder, scanning continues until the feeder is empty.

8. If Build Job is enabled, touch **Scan**, then, when prompted, do these steps.
 - To change settings, touch **Program Next Segment**.
 - To scan another page, touch **Scan Next Segment**.
 - To finish, touch **Submit**.
9. To return to the Home screen, press the **Home** button.

Copy Workflows

Note: Some features are hidden from view when the Copy App is installed. For details on configuring and customizing the Apps, refer to the *System Administrator Guide* at www.xerox.com/support/ALC80XXdocs.

Adjusting Color Settings

Before printing a copy of a color original image, you can adjust the balance of the printing colors between cyan, magenta, yellow, and black. You can adjust the color of the copy using preset color effects. For example, you can adjust colors for brightness or coolness. Adjusting the saturation makes the image colors more vivid or pastel.

Select color or black and white output

1. At the printer control panel, press the **Home** button.
2. Touch **Copy**.
3. Touch **Output Color**.
4. For Output Color, touch an option.
 - **Auto Detect:** The device detects the color content in the original document. If the original content is a color document, the printer makes copies in full color. If the original content is a black and white document, the printer makes copies in black only.
 - **Black & White:** This option produces copies in black and white only. Colors in the original content are converted to shades of gray.
 - **Color:** This option copies in full color output using all four printing colors, cyan, magenta, yellow, and black.
 - To access the **Single Color** option, touch **More**.

Single Color produces shades of a single color. To select a color, touch **Color**, then select an option. Your color selection appears on the sample page.

5. Touch **OK**.

Adjusting the Color Balance

1. At the printer control panel, press the **Home** button.
2. Touch **Copy**.
3. Touch **Color Balance**.



Note: This feature is not available when Output Color is set to Black and White.

4. To adjust the density levels of all four colors:
 - a. On the Color Balance screen, touch **Basic Color**.
 - b. Move the sliders to adjust the level for each color.

5. To adjust the highlight, midtone, and shadow density levels by color:
 - a. On the Color Balance screen, touch **Advanced Color**.
 - b. Touch the color you want to adjust.
 - c. Move the sliders to adjust the levels for highlights, midtones, and shadows.
 - d. To adjust more colors, repeat the previous two steps.
6. Touch **OK**.

Adding color effects

1. At the printer control panel, press the **Home** button.
2. Touch **Copy**.
3. Touch **Color Presets**.



Note: This feature is not available when Output Color is set to Black and White.

4. On the Color Presets screen, touch the required preset color effect. The sample images show how the colors are adjusted.
5. Touch **OK**.

Adjusting the Saturation

1. At the printer control panel, press the **Home** button.
2. Touch **Copy**.
3. Touch **Saturation**.
4. To adjust the saturation, move the slider.
5. Touch **OK**.

Erasing the Edges of Copies

You can erase content from the edges of your copies using the Edge Erase feature. You can specify the amount to erase on the right, left, top, and bottom edges.

To erase the edges of copies:

1. At the printer control panel, press the **Home** button.
2. Touch **Copy**.
3. Touch **Edge Erase**.
4. Select one of the following options.
 - **All Edges:** This option erases all four edges by the same amount. To adjust the amount to erase, move the slider.
 - **Individual Edges:** This option allows you to specify different amounts to erase from the edges. Touch the required **Top**, **Bottom**, **Left** or **Right** field. To enter the amount to erase, use the numeric keypad, or touch the arrows.
5. To mirror the same erase amount applied to Side 1 on Side 2, touch the **Mirror Side 1** check box.
6. To select a pre-defined amount of erase, use the **Presets** option.
7. Touch **OK**.

Specifying the Size of the Original

Use the Original Size feature to set a standard or custom size for scanning, or for the printer to determine the original size document automatically. You can use this feature to enable mixed-size original document scanning.

To specify the original size:

1. At the printer control panel, press the **Home** button.
2. Touch **Copy**.
3. Touch **Original Size**.
4. Select an option.
 - **Auto Detect:** This option allows the printer to determine the size of the original document.
 - **Preset Scan Area:** This option specifies the area to scan when it matches a standard paper size. In the scrolling list, touch the desired paper size.
 - **Custom Scan Area:** You can specify the width and length of the area to scan. To specify the original width or length, touch the appropriate field. To enter the size, use the numeric keypad, or use the arrows.
 - **Mixed Size Originals:** You can scan standard-size originals of varying sizes. To determine which original sizes can be mixed in the same job, use the diagram on the screen.
5. Touch **OK**.

Shifting the Image

You can change the placement of an image on the copy page. This is useful if the image is smaller than the page size. For image shift to work correctly, position original documents as follows.

- **Document Feeder:** Position original documents face up, long edge entering the feeder first.
- **Document Glass:** Position original documents face down, in the upper-left corner of the document glass, long edge to the left.


To change the placement of the image:

1. At the printer control panel, press the **Home** button.
2. Touch **Copy**.
3. Touch **Image Shift**.
4. Select one of the following options.
 - **Off:** This option is the default setting.
 - **Auto Center:** This option centers the image on the page.
5. To enter a specific amount of image shift, touch **More**, then touch **Margin Shift**. Touch the required **Up / Down** or **Left / Right** fields. To enter the amount of shift, use the numeric keypad, or touch the arrows.
6. To mirror the same image shift applied to Side 1 on Side 2, touch the **Mirror Side 1** check box.
7. To select a pre-defined amount of shift, use the **Presets** option.
8. Touch **OK**.

Book Copying

You can use the Book Copying feature to copy books, magazines, or other bound documents. You can use this feature to copy images for different results.

You can copy either the left or right page onto a single sheet of paper. You can copy both the left and right pages onto two sheets of paper.

 **Note:** Use the document glass to make copies from books, magazines, or other bound documents. Do not place bound originals in the document feeder.


To set up book copying:

1. At the printer control panel, press the **Home** button.
2. Touch **Copy**.
3. Touch **Book Copying**.
4. Select one of the following options.
 - **Off:** This option is the default setting.
 - **Both Pages:** This option scans both pages of an open book onto two sheets of paper.
 - **Left/Right Page Only:** This option scans the left or right page of an open book onto a single sheet of paper.
5. If Binding Edge Erase is required, touch **More**. Touch the **Binding Edge Erase** field. To enter the amount to erase, use the numeric keypad, or touch the arrows. You can erase up to 50 mm (2 in.) from both pages, or 25 mm (1 in.) from one page.
6. Touch **OK**.


Creating a Booklet

The Booklet Creation feature prints two pages on each side of the paper. The printer reorders and reorients the pages so that they are in the correct order and orientation when folded. If more finishing options are available, the pages can be stapled and folded to create a booklet.

To create a booklet:

 **Note:** In this mode, the printer scans all the original documents before it prints the copies.

1. At the printer control panel, press the **Home** button.
2. Touch **Copy**.
3. Touch **Booklet Creation**.
4. Select one of the following options.
 - **Off:** This option is the default setting.
 - **On:** This option enables Booklet Creation.
5. To change the **Original Input**, **Paper Supply** or finishing options, touch **More**, then select an option.
 - To scan 1 or 2-sided originals, touch **Original Input**, then select an option.
 - To change the paper source for the booklet, touch **Paper Supply**, then select an option.
 - If your printer has a finisher installed, for Fold & Staple, select a staple or fold option.
6. Touch **OK**.

 **Note:** If Paper Supply is set to Auto Paper Select, the Paper Conflict screen appears. Select the required paper tray, then touch **OK**.

Adding Covers

You can print the first and last pages of your copy job on different paper, such as colored or heavyweight paper. The printer selects the paper from a different tray. The covers can be blank or printed.

To add covers to your copy job:

1. At the printer control panel, press the **Home** button.
2. Touch **Copy**.
3. Touch **Special Pages**→**Covers**.



Note: If Paper Supply is set to Auto Paper Select, the Paper Conflict screen appears. Select the required paper tray, then touch **OK**.

4. For Covers Options, select an option.
 - **Front & Back Same:** This option includes front and back covers from the same tray.
 - **Front & Back Different:** This option includes a front and a back cover from different trays.
 - **Front Only:** This option includes a front cover only.
 - **Back Only:** This option includes a back cover only.
5. For Printing Options, select an option.
 - **Blank Cover:** This option inserts a blank cover.
 - **Print on Side 1 Only:** This option prints on the front side of the cover only. To rotate the image on side 2 by 180degrees, touch Rotate Side 2.
 - **Print on Side 2 Only:** This option prints on the back of the cover only. To rotate the image on side 2 by 180degrees, touch Rotate Side 2.
 - **Print on Both Sides:** This option prints on both sides of the cover.
 - **Rotate Side 2:** If covers are 2-Sided, touch this option to rotate the image on side 2 by 180 degrees.
6. For Paper Supply, touch the required tray.
7. Touch **OK**. The options that you selected appear on the Special Pages screen.
8. To edit or delete a special page entry, touch the entry in the list. From the menu, touch the required option.
9. Touch **OK**.

Adding Inserts

You can insert blank pages or pre-printed sheets in specific locations in your copy job. To do this, you specify the tray that contains the inserts.

To add inserts to a copy job:

1. At the printer control panel, press the **Home** button.
2. Touch **Copy**.
3. Touch **Special Pages**→**Inserts**.



Note: If Paper Supply is set to Auto Paper Select, the Paper Conflict screen appears. Select the required paper tray, then touch **OK**.

4. To specify the number of sheets to insert, touch the **Insert Quantity** field. To enter the number of sheets, use the numeric keypad, or use the arrows. Touch **Enter**.

5. To enter a location for the insert, touch the **Insert After Page** entry box. To enter a page number, use the numeric keypad. Touch **Enter**.
6. To specify the paper tray to use for the insert:
 - a. Touch **Paper Supply**.
 - b. Touch the required paper tray.
 - c. Touch **OK**.
7. Touch **Add**. The insert appears in the list on the Inserts screen. To add more inserts, repeat the previous steps.
8. Touch **X**. The options that you selected appear on the Special Pages screen.
9. To edit or delete a special-page entry, touch the entry in the list. From the menu, touch the required option.
10. Touch **OK**.

Specifying Chapter Start Pagination

If you select 2-sided copies, you can set each chapter to start on the front or back of the page. If necessary, the printer leaves one side of the paper blank so that the chapter starts on the specified side of the paper.

To specify chapter start pagination:

1. At the printer control panel, press the **Home** button.
2. Touch **Copy**.
3. Touch **Special Pages**→**Chapter Starts**.
4. To specify the chapter start page, touch **Page Number**. To enter the page number, use the numeric keypad. Touch **Enter**.
5. For **Start Chapter**, select an option.
 - **On Right Page**: This option specifies the front of the paper.
 - **On Left Page**: This option specifies the back of the paper.
6. Touch **Add**. The page is added to the list on the right side of the screen.
7. To set other pages, repeat the previous steps.
8. Touch **X**. The options that you selected appear on the Special Pages screen.
9. To edit or delete a special-page entry, touch the entry in the list. From the menu, touch the required option.
10. Touch **OK**.

Specifying Exception Pages

You can specify exception pages to print on paper that is loaded in a different paper tray than the paper for the rest of the document. Ensure that the paper you use for the exception pages is the same size as the paper that you use for the rest of the document.

To specify the exception pages:

1. At the printer control panel, press the **Home** button.
2. Touch **Copy**.
3. Touch **Special Pages**→**Exceptions**.



Note: If Paper Supply is set to Auto Paper Select, the Paper Conflict screen appears. Select the required paper tray, then touch **OK**.

4. To enter the range of pages to print on different paper:
 - To enter the starting page number, touch the first **Page Number** field. To enter the starting page number, use the numeric keypad. Touch **Enter**.
 - To enter the ending page number, touch the second **Page Number** field. To enter the last page number, use the numeric keypad. Touch **Enter**.



Note: To specify a single page as an exception, enter that page number as the start and end of the range.

5. To specify the paper to use for the exception pages:
 - a. Touch **Paper Supply**.
 - b. Touch the tray that contains paper to use for the exception pages.
 - c. Touch **OK**.
6. Touch **Add**. The page range is added to the list on the right side of the screen.
7. To set other pages, repeat the previous steps.
8. Touch **X**. The options that you selected appear on the Special Pages screen.
9. To edit or delete a special-page entry, touch the entry in the list. From the menu, touch the required option.
10. Touch **OK**.

Adding Annotations

You can automatically add annotations such as page numbers and the date to your copies.



Note:

- You cannot add annotations to covers, inserts, or blank chapter-start pages.
- If Booklet Creation is selected, you cannot add annotations.

To add annotations:

1. At the printer control panel, press the **Home** button.
2. Touch **Copy**.
3. Touch **Annotations**.

4. To add page numbers:
 - a. Touch **Page Number**.
 - b. Touch **On**.
 - c. Touch the **Starting Page Number** entry box. To enter a page number, use the numeric keypad, then touch **Enter**.
 - d. Touch **Apply To**, then select an option.
 - e. To position the page number, touch an arrow. The sample page shows the location of the page number.
 - f. Touch **OK**.
5. To insert a comment:
 - a. Touch **Comment**.
 - b. Touch **On**.
 - c. For Stored Comments, touch an option in the list.
 - Touch an existing comment.
 - To create a comment, touch an **Available** option. To enter the annotation text, use the touch screen keypad, then touch **OK**.
 - To edit or delete a comment, use the buttons below the Stored Comments list.
 - d. Touch **Apply To**, then select an option.
 - e. To position the comment, touch an arrow. The sample page shows the location of the comment.
 - f. Touch **OK**.
6. To insert the current date:
 - a. Touch the desired current date location.
 - b. Touch **Date**.
 - c. Touch **On**, then touch the date format that you wish to use.
 - d. Touch **Apply To**, then select an option.
 - e. To position the date in the header or footer, touch an arrow. The sample page shows the location of the date.
 - f. Touch **OK**.
7. To insert a Bates Stamp:
 - a. Touch **Bates Stamp**.
 - b. Touch **On**.
 - c. For Stored Prefixes, touch an option in the list.
 - Touch an existing prefix.
 - To create a prefix, touch an **Available** option. To enter text, use the touch keypad, then touch **OK**.
 - To edit or delete a prefix, use the buttons below the Stored Prefixes list.

- d. Touch **Starting Page Number**. To enter the starting page number, use the alphanumeric keypad. You can use leading zeros to indicate the number of digits required. Touch **Enter**.
- e. Touch **Apply To**, then select an option.
- f. To position the Bates Stamp in the header or footer, touch an arrow. The sample page shows the location of the Bates Stamp.
- g. Touch **OK**.
8. To change the text formatting, touch **Format & Style**, choose the required settings, then touch **OK**.
9. To remove all entered annotations, touch **Delete All**.
10. Touch **OK**.

Changing the Page Layout

You can use Page Layout to place a defined number of pages on one or both sides of the paper.

To change the page layout:

1. At the printer control panel, press the **Home** button.
2. Touch **Copy**.
3. Touch **Page Layout**.
4. Select one of the following options.
 - **Pages per Side**: This option places a defined number of pages on one or both sides of the paper. Select the required number of pages per side.
 - **Repeat Image**: This option places a defined number of the same image on one or both sides of the paper. Select the number of images required. Auto Repeat allows the printer to determine the maximum number of images that can fit on the currently selected paper size.
5. To enter a specific number of rows and columns, touch **Specify Rows & Columns**. Touch the **Rows** or **Columns** field. To enter the number of rows and columns, use the numeric keypad, or touch the arrows. To rotate the paper, select the check box for Rotate Background.
6. To change the original orientation, touch **Original Orientation**. Select **Portrait** or **Landscape**.
7. Touch **OK**.

Building a Copy Job

Use this feature to produce complex jobs that include a variety of originals requiring different App settings. Each segment of the job can have different settings. After all the segments are programmed, scanned, and temporarily stored in the printer, the job is processed and completed.

To build a job:

1. At the printer control panel, press the **Home** button.
2. Touch **Copy**.
3. To clear previous App settings, touch **Reset**.
4. Touch **Build Job**.
5. Split the job into the required segments for scanning.
6. Program and scan the first segment:

- a. Load the original document for the first segment.
 - b. Select the options required for the segment.
 - c. Touch **Scan**.
7. Set the required build job display options.
 8. Print a Sample segment or delete a segment.
 - a. To print a sample of the previous segment scanned, touch the segments option, then touch **Sample Last segment**.
 - b. To delete the previous segment scanned, touch the segments option, then touch **Delete Last Segment**.
 - c. To delete all the previous segment scanned, touch the segments option, then touch **Delete All Segments**.
 9. Program and scan more segments.
 - a. Load the originals for the next segment.
 - b. To change the settings for the next segment, touch **Program Next Segment**, then select the options required for the segment.
 - c. Touch **Scan Next Segment**.
 10. Continue scanning segments until all original documents are scanned.
 11. Touch **Submit**.

Printing a Sample Copy

Sample Copy allows you to print a test copy of a job to inspect before printing multiple copies. This feature is useful for complex or high-volume jobs. After you print and inspect the test copy, you can choose to print or cancel the remaining copies.

To print a sample copy of your job:

1. At the printer control panel, press the **Home** button.
2. Touch **Copy**.
3. Adjust the copy settings as needed.
4. Enter the number of copies needed.
5. Touch the **Sample Copy** toggle button.
6. Touch the **Start** button. The sample copy prints.
7. Inspect the sample copy, then select one of the following options.
 - If the copy is unsatisfactory, touch **Delete**. Touch **Delete** to confirm. The job is canceled and no more copies are printed.
 - If the copy is satisfactory, touch **Release**. The remaining copies are printed.
8. To return to the home screen, press the **Home** button.

Saving Current Copy Settings


To use a particular combination of copy settings for future copy jobs, you can save the settings with a name and retrieve them for later use.

To save the current copy settings:

1. At the printer control panel, press the **Home** button.
2. Touch **Copy**.
3. Change the settings required.
4. Touch **Save Current Settings**.
5. To create a new saved setting, touch any option labeled **<Available>**.
6. Enter a name for the saved setting using the touch screen keyboard, then touch **OK**.


Retrieving Saved Copy Settings

You can retrieve and use any previously saved copy settings for current jobs.

 **Note:** To save the copy settings with a name, refer to [Saving Current Copy Settings](#).

To retrieve saved settings:

1. At the printer control panel, press the **Home** button.
2. Touch **Copy**.
3. Touch **Retrieve Saved Settings**.
4. Touch the saved setting required.

 **Note:** To delete a saved setting, touch the setting, then touch **Delete Settings**. Touch **Delete** to confirm.

5. Touch **OK**. The saved settings are loaded for the current copy job.

ID Card Copy

ID Card Copy Overview



You can use the ID Card Copy App to copy both sides of an ID card or small document onto one side of paper. To copy the card properly, place each side in the upper-left corner of the document glass. The printer stores both sides of the document, then prints them side by side on the paper.

The ID Card Copy App is hidden from view on initial device setup. For details about configuring and customizing the Apps, refer to the *System Administrator Guide* at www.xerox.com/support/ALC80XXdocs.

For information about all the App features and available settings, refer to [Apps Features](#).

Copying an ID Card

To copy an ID card:

1. Lift the document feeder, then place the original document in the upper-left corner of the document glass.
2. At the printer control panel, press the **Home** button.
3. Touch **ID Card Copy**.
4. To clear previous App settings, touch **Reset**.
5. Adjust the settings as required.
6. Touch **Scan Front**.
7. When scanning is finished, lift the document feeder. Place the second side of the original document in the upper-left corner of the document glass.
8. To scan the second side of the original document and print the copies, touch **Scan Back**.
9. To return to the home screen, press the **Home** button.

Email

Email Overview



You can use the Email App to scan images and attach them to emails. You can specify the file name and format of the attachment, and include a subject heading and message for the email.

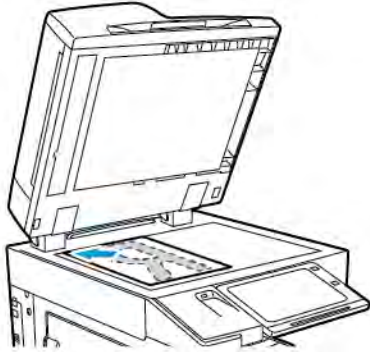
For details about configuring and customizing the Apps, refer to the *System Administrator Guide* at www.xerox.com/support/ALC80XXdocs.

For information about all the App features and available settings, refer to [Apps Features](#).

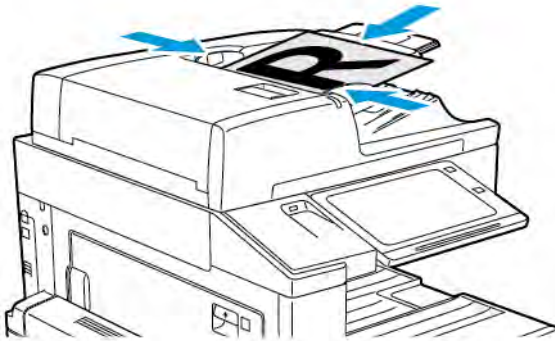
Sending a Scanned Image in an Email


To send a scanned image in an email:

1. Load your original documents.
 - For single pages or paper that cannot be fed using the duplex automatic document feeder, use the document glass. Lift the duplex automatic document feeder, then place the original document face down in the upper-left corner of the document glass.




- For multiple, single, or 2-sided pages, use the duplex automatic document feeder. Remove all staples and paper clips from the pages. Insert the original documents face up in the duplex automatic document feeder, with the top of the page entering the feeder first. Adjust the paper guides so that they fit against the original documents.



 **Note:** When the original documents are detected, the automatic document feeder confirmation indicator LED illuminates.

2. At the printer control panel, press the **Home** button.
3. Touch **Email**.
4. To clear previous app settings, touch **Reset**.

5. Enter recipients.
 - If the entry screen appears, to enter a recipient, touch an option, or touch **X**.
 - To select a contact or group from the Address Book, touch the **Device Address Book** option. Touch **Favorites** or **Contacts**, then select a recipient. Touch **OK**.
 - To select a contact from the Network Address Book, touch the **Network Address Book** option. Enter a name, touch **Search**, then select a recipient. Touch **OK**.
 - To enter the email address manually, touch **Manual Entry**. In the Enter Email Address field, enter the email address, then touch **Add**.
 - To add your own email address to the recipient list, touch **Add Me**. If necessary, enter your login details.
 - To add more recipients, touch **Add Recipient**, then repeat the procedure.

 **Note:** The choices available for adding recipients depends on system configuration.

6. To organize the recipients, touch one of the recipient names on the list. From the menu, select **To:**, **Cc:**, or **Bcc:**.
7. Adjust the email settings as needed.
 - To change the subject, touch **Subject**, enter a new subject, then touch **OK**.
 - To save the scanned document as a specific filename, touch the attachment filename, enter a new name, then touch **OK**.
 - To save the scanned document as a specific file format, touch the attachment file format, then select the required format. To create a searchable file or to add password protection, from the file format menu, select **More**.
 - To change the email message, touch **Message**, enter a new message, then touch **OK**.
 - To scan more documents using the document glass, or to change settings for different sections of the job, touch **Build Job**.
 - If scanning from 2-sided original documents, touch **2-Sided Scanning**, then select an option.


For details about available features, refer to [Apps Features](#).

8. To start the scan, touch **Send**.
9. If Build Job is enabled, touch **Scan**, then, when prompted, do these steps.
 - To change settings, touch **Program Next Segment**.
 - To scan another page, touch **Scan Next Segment**.
 - To finish, touch **Submit**.
10. To return to the Home screen, press the **Home** button.

Adding or Editing Contacts in the Device Address Book from the Control Panel

You can set up the Device Address Book using the Embedded Web Server. The Address Book can contain up to 5000 contacts that you can access when you enter recipients or destinations using apps.

To add or edit contacts in the Device Address Book from the control panel:

 **Note:** Before you can use this feature, the system administrator must enable Create/Edit Contact from Touch Screen for All Users.

1. Load your original documents.
2. At the printer control panel, press the **Home** button.
3. Touch **Email**.

4. To clear previous App settings, touch **Reset**.
5. Touch **Manual Entry**. To enter an email address, use the touch screen keypad.
6. To add the recipient to the Device Address Book, touch the **Address Book** icon.
7. Do one of the following steps.
 - To create an entry, touch **Create New Contact**. To enter contact details, touch a field, then use the touch screen keypad. Touch **OK**.
 - To add to an existing entry, touch **Add to Existing Contact**. In the list, touch a contact. To find a contact, touch **Search**.
8. To mark a recipient to appear as a favorite option, touch the **Star** icon.
9. Adjust the email settings as needed.
10. To start the scan, touch **Send**.
11. To return to the Home screen, press the **Home** button.

Workflow Scanning

Workflow Scanning Overview



The Workflow Scanning App allows you to scan an original document, distribute, and archive the scanned image file. The Workflow Scanning feature simplifies the task of scanning many multi-page documents and saving the scanned image files in one or more file locations.



Note: The system administrator must set up this feature before you can use it. For details, refer to the *System Administrator Guide* at www.xerox.com/support/ALC80XXdocs.

The Workflow Scanning App enables you to scan documents using pre-defined settings to a range of file destinations quickly and easily. There are several workflow options:

- Distribution workflows enable you to scan documents to one or more file destinations. File destinations include an FTP site, a website, and a network server. You can add fax destinations to workflows too.
- Scan to Mailbox enables you to scan documents to public or private mailbox folders on the printer hard drive.
- Scan to Home enables you to scan documents to a personal Home folder on your network.
- Scan to USB enables you to scan documents to a connected USB Flash drive.



Note:

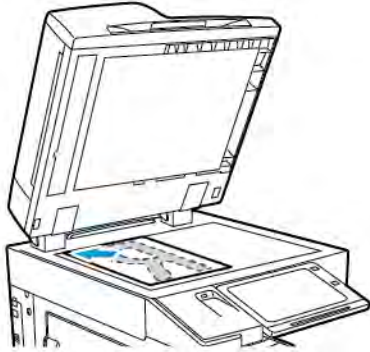
- To scan original documents to a file destination associated with a contact in the address book, refer to [Scan To](#).
- To scan original documents to an email address, refer to [Email](#).

For information about all the App features and available settings, refer to [Apps Features](#).

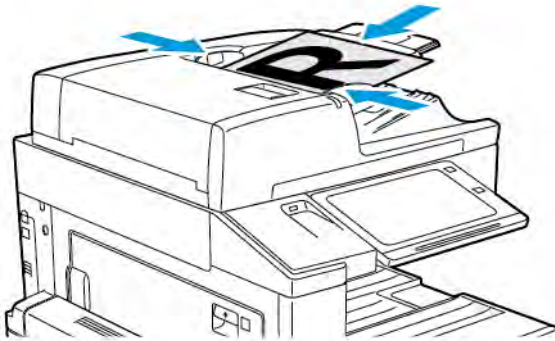
Using Workflow Scanning


To scan an original document:

1. Load your original documents.
 - For single pages or paper that cannot be fed using the duplex automatic document feeder, use the document glass. Lift the duplex automatic document feeder, then place the original document face down in the upper-left corner of the document glass.




- For multiple, single, or 2-sided pages, use the duplex automatic document feeder. Remove any staples and paper clips from the pages. Insert the original documents face up in the duplex automatic document feeder, with the top of the page entering the feeder first. Adjust the paper guides so that they fit against the original documents.



 **Note:** When the original documents are detected, the automatic document feeder confirmation indicator LED illuminates.

2. At the printer control panel, press the **Home** button.
3. Touch **Workflow Scanning**.
4. To clear previous app settings, touch **Reset**.
5. To select a workflow, from the Pick a Workflow screen, touch an option. If necessary, to refresh the workflow list, touch **Update**.

 **Note:** If the Pick a Workflow screen is not displayed automatically, to display the screen, touch **Change Workflow**.

6. If needed, enter recipients, workflow destination details, or browse to the location required for the scanned original documents.

7. To add a file destination, touch **Add File Destinations**. From the list, select a file destination.



Note: You can add file destinations to a workflow from the predefined list of file repository settings.

- In the Embedded Web Server, to create a new workflow, you can add file destinations from the predefined list.
- In the Workflow Scanning App, for a selected workflow, you can add more file destinations from the predefined list.

For details, refer to the *System Administrator Guide* at www.xerox.com/support/ALC80XXdocs.

8. Adjust the workflow scanning settings as needed.
 - To save the scanned document as a specific filename, touch the attachment filename, enter a new name, then touch **OK**.
 - To save the scanned document as a specific file format, touch the attachment file format, then select the required format.
 - To define what action the device takes when the filename is used already, touch **If File Already Exists**. Select an option, then touch **OK**.



Note: If the Add to pdf folder option is not available, access the Embedded Web Server, then enable the Filing Option settings. For details, refer to the *System Administrator Guide* at www.xerox.com/support/ALC80XXdocs.

- If you are using the document glass, to combine pages into a single scan file, enable the Build Job feature. To enable the feature, touch the toggle button for **Build Job**.
- If you are scanning from 2-sided original documents, touch **2-Sided Scanning**, then select an option.

For details about available features, refer to [Apps Features](#).

9. To start the scan, touch **Scan**.
10. If Build Job is enabled, when prompted, do these steps.
 - To change settings, touch **Program Next Segment**.
 - To scan another page, touch **Scan Next Segment**.
 - To finish, touch **Submit**.
11. To return to the Home screen, press the **Home** button.



Note:

- For remote scanning, a network connection is required.
- For details about remote scanning, refer to the Help in the Embedded Web Server.
- Print, copy, and fax jobs can print while you are scanning original documents or downloading files from the printer hard drive.

Distribution Workflows

Distribution Workflows are customized workflows used in the Workflow Scanning App. A workflow contains pre-programmed settings for a scan job that specify how and where scanned documents are distributed. A workflow can include one or more file destinations, as well as fax destinations. You can store customized scan settings in each workflow.

Using the Embedded Web Server, you can create a workflow using one or more scan destinations. The

following options are available:

- Predefined scan destinations from the list of file repositories.
- New scan destinations such as an FTP site, a website, or an SMB server.
- Fax number destinations.

When you create a workflow, it appears in the list of workflows in the Pick a Workflow screen of the Workflow Scanning App.

At the printer control panel, when you select a workflow, you can change the scan settings and add more scan destinations from the predefined list.

Predefined Network File Repositories

A file repository is a predefined file destination that you can use in a workflow. You can use the printer control panel to add a file repository to a workflow.

The system administrator configures the file repositories available as predefined scanned file destinations. At least one repository must be set up for the Workflow Scanning feature to be available. For details, refer to the *System Administrator Guide* at www.xerox.com/support/ALC80XXdocs.



Note: On the Pick a Workflow screen, the DEFAULT workflow is associated with the default file repository.

Creating a New Workflow

1. At your computer, open a Web browser, in the address field, type the IP address of the printer, then press **Enter** or **Return**.



Note: If you do not know the IP address of your printer, see [Finding the IP Address of Your Printer](#).

2. Click the **Scan** tab.
3. In the Display area, select **Workflows**, then select **Create New Workflow**.
4. For Add Destination to Workflow, select an option:
 - To add an existing file destination to the workflow, select **Select from a Predefined List**.
 - To add a file destination to the workflow, select **Enter a Scan Destination**.
 - To add a fax destination to the workflow, select **Enter a Server Fax Number**.
5. For Select from a Predefined List, select a destination from the File Destination list, then click **Add**.
6. For Enter a Scan Destination, add these details:
 - a. Click the **Friendly Name** field, then enter a name for the scan destination.
 - b. For Protocol, select an option, then enter the destination address.
 - For IP Address, enter the IP Address: Port number.
 - For Host Name, enter the Host Name: Port number.
 - c. Enter the name of the destination folder as needed. In SMB, the destination folder is the shared folder.
 - d. In Document Path, enter the name of the subfolder within the destination folder. Select a Filing Policy.
 - e. Enter a valid login name and password.



Note: Use the login name for the computer that holds the destination folder. The login name can include the domain name, such as domain name\login name.

7. Click **Add**.
8. To add another destination to the workflow:
 - To add a file destination, for File Destinations, click **Add**.
 - To add a fax destination, for Fax Destinations, click **Add**.
9. Set the scan settings for the workflow as required.

After a workflow is created in the Embedded Web Server, the workflow is added to the list in the Workflow Scanning App.

Scanning to a Shared Network Folder

You can scan to a shared folder on a network using SMB. The folder can be on a server or computer running SMB services.

To scan to a shared network folder, create a shared folder with read and write access privileges.

Sharing a Folder on a Windows Computer

1. Open Windows Explorer.
2. Right-click the folder you want to share, then select **Properties**.
3. Click the **Sharing** tab, then click **Advanced Sharing**.
4. Select **Share this folder**.
5. Click **Permissions**.
6. Select the **Everyone** group, then verify that all permissions are enabled.
7. Click **OK**.



Note: Remember the Share name for later use.

8. Click **OK** again.
9. Click **Close**.

Sharing a Folder in Macintosh OS X Version 10.7 and Later

1. From the Apple menu, select **System Preferences**.
2. From the System Preferences window, select **Sharing**, then select **File Sharing**.
3. Under Shared Folders, click the Plus icon (+). Browse to the folder that you want to share on the network, then click **Add**.
4. To modify access rights for your folder, select the folder. The groups activate.
5. From the Users list, click **Everyone**, then use the arrows to select **Read & Write**.
6. Click **Options**, then select a share-folder option.
 - To share the folder, select **Share files and folders using SMB**.
 - To share the folder with specific users, next to the user name, select **On**.
7. Click **Done**.
8. Close the System Preferences window.



Note: When you open a shared folder, a Shared Folder banner appears in the Finder for the folder and subfolders.

Scanning to a Mailbox Folder

Scanning to a folder is the simplest scanning method. This function allows users to scan files to mailboxes, which are folders created on the printer hard drive. When you scan an image at the printer, the scan file is stored in a folder on the internal hard drive. You can use the Embedded Web Server to retrieve the stored scan file to save to your computer.

The default settings create a 1-sided, color, portable document format **.pdf** file. You can change the default settings using the printer control panel, or using the Embedded Web Server at your computer. Control panel selections override the settings in the Embedded Web Server.

Scanning to the Public Mailbox Folder

The printer provides a public mailbox folder to store scanned images. You do not need a password to scan images to the public mailbox folder, or to retrieve the scanned images. All users can view scanned documents in the public mailbox folder. You can create a password-protected private mailbox folder. For details, refer to [Creating a Private Mailbox Folder](#).

To scan an image to the public mailbox folder:

1. Load your original documents.
2. At the printer control panel, press the **Home** button.
3. Touch **Workflow Scanning**.
4. To select a workflow, from the Pick a Workflow screen, touch **Default Public Mailbox**.



Note: If the Pick a Workflow screen is not automatically displayed, to display it, touch **Change Workflow**.

5. To add a file destination, touch **Add File Destinations**, then select a file destination from the list.
6. Adjust the workflow scanning settings as needed.
 - To save the scanned document as a specific file name, touch the attachment file name, enter a new name, then touch **OK**.
 - To save the scanned document as a specific file format, touch the attachment file format, then select the required format.
 - If you are using the document glass, to combine pages into a single scan file, enable **Build Job**.
 - If you are scanning from 2-sided original documents, touch **2-Sided Scanning**, then select an option.

For details about available features, refer to [Apps Features](#).

7. To start the scan, touch **Scan**. The Job Progress screen appears, and the original document is scanned. The printer stores the scanned image on the printer hard drive.
8. If Build Job is enabled, when prompted, do these steps.
 - To change settings, touch **Program Next Segment**.
 - To scan another page, touch **Scan Next Segment**.
 - To finish, touch **Submit**.
9. To move the file to your computer, use the Embedded Web Server. For details, refer to [Retrieving Scan Files from a Mailbox Folder](#).

Scanning to a Private Mailbox Folder

This feature allows you to scan documents to a private mailbox folder. Private mailbox folders can require a password.

You can use the Embedded Web Server to create your private mailbox folders. For details, refer to [Creating a Private Mailbox Folder](#).

To scan to a private mailbox folder:

1. Load your original documents.
2. At the printer control panel, press the **Home** button.
3. Touch **Workflow Scanning**.
4. To select a workflow, from the Pick a Workflow screen, select a private mailbox folder.



Note: If the Pick a Workflow screen is not automatically displayed, to display it, touch **Change Workflow**.

5. On the Mailbox Password screen, enter the password, then touch **OK**.
6. To add a file destination, touch **Add File Destinations**, then select a file destination from the list.
7. Adjust the workflow scanning settings as needed.
 - To save the scanned document as a specific file name, touch the attachment file name, enter a new name, then touch **OK**.
 - To save the scanned document as a specific file format, touch the attachment file format, then select the required format.
 - If you are using the document glass, to combine pages into a single scan file, enable **Build Job**.
 - If you are scanning from 2-sided original documents, touch **2-Sided Scanning**, then select an option.

For details about available features, refer to [Apps Features](#).

8. To start the scan, touch **Scan**.
9. If Build Job is enabled, when prompted, do these steps:
 - To change settings, touch **Program Next Segment**.
 - To scan another page, touch **Scan Next Segment**.
 - To finish, touch **Submit**.
10. To move the file to your computer, use the Embedded Web Server. For details, refer to [Retrieving Scan Files from a Mailbox Folder](#).

Creating a Private Mailbox Folder

If the scan policy to allow additional folders is enabled, you can create a private mailbox folder. The system administrator can create a private mailbox folder at any time. For details, refer to the *System Administrator Guide* at www.xerox.com/support/ALC80XXdocs.

To create a private mailbox folder with a password:

1. At your computer, open a Web browser, in the address field, type the IP address of the printer, then press **Enter** or **Return**.



Note: If you do not know the IP address of your printer, see [Finding the IP Address of Your Printer](#).

2. Click the **Scan** tab.

3. In the Display section, select **Mailboxes**.



Note: If the Display section does not appear, Scan to Mailbox is not enabled. For details, refer to the *System Administrator Guide* at www.xerox.com/support/ALC80XXdocs.

4. In the Scan to Mailbox section, click **Create Folder**.
5. Click the **Folder Name:** field, then type a name for the folder.
6. In the Folder Password field, type a password that adheres to the password rules.
7. In the Confirm Folder Password field, type the password again.
8. Click **Apply**.

Your private mailbox folder appears in the mailbox folder list in the Embedded Web Server and on the printer touch screen under Pick a Workflow. The contents are stored on the printer hard drive.

Retrieving Scan Files from a Mailbox Folder

You can use the Embedded Web Server to retrieve scan files from a mailbox folder and copy the files to your computer.

To retrieve your scan files:

1. At your computer, open a Web browser, in the address field, type the IP address of the printer, then press **Enter** or **Return**.



Note: If you do not know the IP address of your printer, see [Finding the IP Address of Your Printer](#).

2. Click the **Scan** tab.
3. In the Display section, select **Mailboxes**.
4. In the Scan to Mailbox section, click the folder containing the scan.



Note:

- For a password protected private folder, click the **Folder Password** field, type the password, then click **OK**.
- If your image file does not appear, click **Update View**.

Your scan file appears in the Folder Contents window.

5. Under Action, select an option, then click **Go**.
 - **Download** saves a copy of the file to your computer. When prompted, click **Save**, then navigate to the location on your computer to save the file. Open the file or close the dialog box.
 - **Reprint** prints the file without saving a copy of the file to your computer.
 - **Delete** removes the file from the mailbox. When prompted, click **OK** to delete the file or **Cancel** to cancel the operation.



Note: You can also print a mailbox file using the Print From App. For details, refer to [Print From](#).


Scanning to a User Home Folder

Scan to Home allows you to scan documents to a home directory on an external server. The home directory is distinct for each authenticated user. The directory path is established through LDAP.

The Scan to Home feature is available as the Home workflow in the Workflow Scanning App.

To enable the Home workflow:

- Ensure that LDAP Network Authentication is configured.
- Ensure that Home folder locations are defined for each user in the LDAP directory.

 **Note:** When a user logs in to the printer using network credentials, the Home workflow appears on the Pick a Workflow screen.

To use the Home workflow:

1. Load your original documents.
2. To log in to the printer, touch **Log In**, then log in with your network credentials.
3. At the printer control panel, press the **Home** button.
4. Touch **Workflow Scanning**.
5. From the Pick a Workflow screen, touch the **Home** workflow.

 **Note:**

- If the Pick a Workflow screen is not automatically displayed, to display it, touch **Change Workflow**.
 - If the Home workflow is not displayed, check that you have logged in with the required credentials.
6. To add a file destination, touch **Add File Destinations**, then select a file destination from the list.
 7. Adjust the workflow scanning settings as needed.
 - To save the scanned document as a specific file name, touch the attachment file name, enter a new name, then touch **OK**.
 - To save the scanned document as a specific file format, touch the attachment file format, then select the required format.
 - If you are using the document glass, to combine pages into a single scan file, enable **Build Job**.
 - If you are scanning from 2-sided original documents, touch **2-Sided Scanning**, then select an option.


For details about available features, refer to [Apps Features](#).

8. To start the scan, touch **Scan**.
9. If Build Job is enabled, when prompted, do these steps.
 - To change settings, touch **Program Next Segment**.
 - To scan another page, touch **Scan Next Segment**.
 - To finish, touch **Submit**.
10. To return to the Home screen, press the **Home** button.

Scanning to a USB Flash Drive


You can scan a document and store the scanned file on a USB Flash drive. The Scan to USB function produces scans in **.jpg**, **.pdf**, **.pdf (a)**, **.xps**, and **.tif** file formats.

The Scan to USB feature is available as the USB workflow in the Workflow Scanning App.

 **Note:** Only USB Flash drives formatted to the typical FAT32 file system are supported.

To scan to a USB Flash drive:

1. Load your original documents.
2. At the printer control panel, press the **Home** button.
3. Insert the USB Flash drive into the USB memory port.
4. At the USB Drive Detected screen, touch **Scan to USB**.

 **Note:** If the USB Flash drive is inserted in the printer already, touch **Workflow Scanning**. Touch **Change Workflow**, then touch **USB**.

5. To add a file destination, touch **Add File Destinations**, then select a file destination from the list.
6. Adjust the workflow scanning settings as needed.
 - To save the scanned document as a specific file name, touch the attachment file name, enter a new name, then touch **OK**.
 - To save the scanned document as a specific file format, touch the attachment file format, then select the required format.
 - If you are using the document glass, to combine pages into a single scan file, enable **Build Job**.
 - If you are scanning from 2-sided original documents, touch **2-Sided Scanning**, then select an option.

For details about available features, refer to [Apps Features](#).

7. To start the scan, touch **Scan**.
8. If Build Job is enabled, when prompted, do these steps.
 - To change settings, touch **Program Next Segment**.
 - To scan another page, touch **Scan Next Segment**.
 - To finish, touch **Submit**.



WARNING: Do not remove the USB Flash drive while the printer is processing the scan job. If you remove the Flash drive before the transfer is complete, the file can become unusable and other files on the drive can be damaged.

9. To return to the Home screen, press the **Home** button.

Single-Touch Apps

A Single-Touch App enables you to use a workflow without having to use the Workflow Scanning App. Single-Touch Apps are displayed on the Home screen, and used with a single touch.

You can use the Embedded Web Server to design the app, associate it with a workflow, and assign user rights. For details about creating Single-Touch Apps for workflow scanning destinations, refer to the *System Administrator Guide* at www.xerox.com/support/ALC80XXdocs.

Scan To

Scan To Overview



You can use the Scan To App to scan documents to multiple destinations and recipients in a single scan. A Scan To destination can be a USB Flash drive, a shared network folder, or an SMB network location. A Scan To recipient can be a contact in the device address book or network address book, an email address, or the logged-in user.

The Scan To App supports the following scanning functions:

- Scan original documents to an email address. For details, refer to [Scanning to an Email Address](#).
- Scan original documents to a USB Flash drive. For details, refer to [Scanning to a USB Flash Drive](#).
- Scan original documents to a folder in a shared network location using SMB transfer protocol. For details, refer to [Scanning to a Shared Folder on a Networked Computer](#).
- Scan original documents to the email address associated with the logged-in user. For details, refer to [Scanning to the Logged-In User](#).

To scan documents to one or more file destinations using customized workflows, refer to [Workflow Scanning](#).

For details about configuring and customizing apps, refer to the *System Administrator Guide* at www.xerox.com/support/ALC80XXdocs.

For information about all app features and available settings, refer to [Apps Features](#).

Scanning to an Email Address

You can scan a document and send the scanned file to an email address. The Scan To App produces scans in **.jpg**, **.pdf**, **.pdf (a)**, **.xps**, and **.tif** file formats.

Before you scan to an email address, ensure that you configure the printer with the email server information. For details, refer to the *System Administrator Guide* at www.xerox.com/support/ALC80XXdocs.

To scan an image and send it to an email address:

1. Load the original document on the document glass or into the automatic document feeder.



Note: When the original documents are detected, the automatic document feeder confirmation indicator LED illuminates.

2. At the control panel, touch **Home**.
3. Touch **Scan To**.
4. If the Scan To destination window does not appear, touch **Add Destination**.

5. Add recipients.
 - To enter the email address manually, touch **Email**. Enter an email address, then touch **Add**.
 - To select a contact or group from the Device Address Book, touch **Device Address Book**. Touch **Favorites** or **Contacts**, then select a recipient.
 - To select a contact or group from the Network Address Book, touch **Network Address Book**. In the search bar, type the name of the contact or group that you want to add, then touch **Search**. From the list of results, select a recipient.

 **Note:**

For details about using the Address Book and managing and creating Favorites, refer to the *System Administrator Guide* at www.xerox.com/support/ALC80XXdocs.

6. To add another Scan To destination, touch **Add Destination**, then select the required destination.
7. To save the scanned document as a specific filename, touch the attachment filename, then enter a new name using the touch screen keypad. Touch **Enter**.
8. To save the scanned document as a specific file format, touch the attachment file format, then select the required format.

 **Note:** To make scanned documents searchable, your system administrator can enable the Searchable feature.


9. Adjust scanning options as needed.
 - To change the email subject line, touch **Subject**. Enter a new subject line using the touch screen keypad, then touch **Enter**.
 - To change the email body message, touch **Message**. Enter a new message, then touch **OK**.
 -

To scan multiple pages using the document glass, or to change settings for different sections of the job, touch **Build Job**.

10. To begin the scan, touch **Scan**.
11. If Build Job is enabled, when prompted, do these steps.
 - To change settings for the next segment of the document, touch **Program Segment**.
 - To scan another page, load the new document onto the document glass, then touch **Scan Segment**.
 - To finish, touch **Submit**.
12. To return to the Home screen, press the **Home** button.

Scanning to a USB Flash Drive

You can scan a document and store the scanned file on a USB Flash drive. The Scan To App produces scans in **.jpg**, **.pdf**, **.pdf (a)**, **.xps**, and **.tif** file formats.

 **Note:** Only USB Flash drives formatted to the typical FAT32 file system are supported.

To scan to a USB Flash drive:

1. Load the original document on the document glass or in the automatic document feeder.
2. At the printer control panel, press the **Home** button.
3. Touch **Scan To**.
4. If the Scan To destination window does not appear, touch **Add Destination**.

5. Insert your USB Flash drive into the USB port on the front of the printer, then touch **USB**.



Note: If you select **USB** as the Scan To destination before inserting a USB Flash drive, you will be prompted to insert it.

6. To add another Scan To destination, touch **Add Destination**, then select the required destination.
7. To save the scanned document as a specific file name, touch the attachment file name, then enter a new name using the touch screen keypad. Touch **Enter**.
8. To save the scanned document as a specific file format, touch the attachment file format, then select the required format.
9. Adjust scanning features as needed.
10. To scan multiple pages using the document glass, or to change settings for different sections of the job, touch **Build Job**.
11. To begin the scan, press **Scan**.
12. If Build Job is enabled, when prompted, do these steps.
 - To change settings for the next segment of the document, touch **Program Segment**.
 - To scan another page, load the new page onto the document glass, then touch **Scan Segment**.
 - To finish, touch **Submit**.

The printer scans your images to the root folder of the USB Flash drive.

13. If you are scanning from the document glass, when prompted, to finish, touch **Done** or to scan another page, touch **Add Page**.



Note: If you are scanning a document from the automatic document feeder, a prompt does not appear.



Caution: Do not remove the USB Flash drive while the device is scanning and processing the job. If you remove the Flash drive before the transfer is complete, the file can become unusable and other files on the drive can be damaged.

14. To return to the Home screen, press the **Home** button.

Scanning to a Shared Folder on a Networked Computer

You can scan a document and save the scanned file to a folder on a networked computer. The Scan To App produces scans in **.jpg**, **.pdf**, **.pdf (a)**, **.xps**, and **.tif** file formats.




Note: To scan to a user home folder, use the Workflow Scanning App. For details, refer to [Scanning to a User Home Folder](#).

Before You Begin

Before scanning to a folder on a networked computer, perform these steps:


- Create a shared folder on your computer:


- For Windows, refer to [Sharing a Folder on a Windows Computer](#).
- For Macintosh, refer to [Sharing a Folder in Macintosh OS X Version 10.7 and Later](#).
- Configure an SMB Folder. For details, refer to the *System Administrator Guide*, at www.xerox.com/support/ALC80XXdocs.
- Use the Embedded Web Server to associate a Scan To destination with a Device Address Book contact. For details, refer to [Adding a Scan To Destination to an Address Book Entry](#).

 **Note:** Ensure that the Address Book contains at least one contact with a scan-to destination.

Scanning to a Shared Folder on a Networked Computer

1. Load the original document on the document glass or into the automatic document feeder.
2. At the printer control panel, press the **Home** button.
3. Touch **Scan To**.
4. To specify the destination of the scanned document, select one of the following options.
 - To scan to an SMB folder on a networked computer, touch **Network**. Browse to the required folder, or enter the network path name, then touch **OK**.

 **Note:** For information on configuring SMB folders, refer to the *System Administrator Guide* at www.xerox.com/support/ALC80XXdocs.
 - To scan to a folder associated with a contact in the address book, touch **Device Address Book**. Select the required contact, then touch the Scan To location.

 **Note:** For details on how to associate a networked folder with an address book contact, refer to [Adding a Scan To Destination to an Address Book Entry](#).
5. To add another Scan To destination, touch **Add Destination**, then select the required destination.
6. To save the scanned document as a specific filename, touch the attachment filename. Enter a new name using the touch screen keypad, then touch **Enter**.
7. To save the scanned document as a specific file format, touch the attachment file format, then select the required format.
8. Adjust scanning options as needed.
9. To scan multiple pages using the document glass, or to change settings for different sections of the job, touch **Build Job**.
10. To begin the scan, press **Scan**.
11. If Build Job is enabled, when prompted, do these steps.
 - To change settings for the next segment of the document, touch **Program Segment**.
 - To scan another page, load the new document onto the document glass, then touch **Scan Segment**.
 - To finish, touch **Submit**.
12. To return to the Home screen, press the **Home** button.

Scanning to the Logged-In User

You can use the Add Me function to scan a document and send the scanned file to the email address associated with a logged-in user.


 **Note:** Only users authenticated through an LDAP server can have an associated email address.

Before scanning to a logged in user, ensure that LDAP user authentication is configured. For details, refer to the *System Administrator Guide* at www.xerox.com/support/ALC80XXdocs.

The Scan To App produces scans in **.jpg**, **.pdf**, **.pdf (a)**, **.xps**, and **.tif** file formats.

To scan an image and send it to the email address of the logged-in user:

1. Load the original document on the document glass or into the automatic document feeder.
2. At the control panel, touch **Home**.
3. Touch **Scan To**.
4. If the Scan To destination window does not appear, touch **Add Destination**.
5. Touch **Add Me**.
6. If you are not logged in, a login screen appears. Enter your LDAP network user name and password, then touch **Done**.
7. To add another Scan To destination, touch **Add Destination**, then select the required destination.
8. To save the scanned document as a specific file name, touch the attachment file name, then enter a new name using the touch screen keypad. Touch **Enter**.
9. To save the scanned document as a specific file format, touch the attachment file format, then select the required format.

 **Note:** To make scanned documents searchable, your system administrator can enable the Searchable feature.

10. Adjust scanning options as needed.
11. To scan multiple pages using the document glass, or to change settings for different sections of the job, touch **Build Job**.
12. To begin the scan, touch **Scan**.
13. If Build Job is enabled, when prompted, do these steps.
 - To change settings for the next segment of the document, touch **Program Segment**.
 - To scan another page, load the new document onto the document glass, then touch **Scan Segment**.
 - To finish, touch **Submit**.
14. To return to the Home screen, press the **Home** button.

Adding a Scan To Destination to an Address Book Entry

You can create Address Book contacts using the Embedded Web Server. A contact is a user with an associated email address, fax number, or scan to destination. If a contact has been set up to include a scan to destination, the contact is available for selection in the Scan To App. Contacts can be marked as a Favorite.

To create an address book contact and add a scan to destination:

1. At your computer, open a Web browser. In the address field, type the IP address of the printer, then press **Enter** or **Return**.



Note: If you do not know the IP address for your printer, refer to [Finding the IP Address of Your Printer](#).

2. Click **Address Book**.
3. To add or edit a contact in the address book:
 - To add a contact, click **Add**, then enter the contact information.
 - To edit a contact, select the contact, then click **Edit**.



Note: If the Add button is unavailable, the address book has reached its limit. The Device Address Book can contain up to 5000 contacts.

4. To associate a scan destination with this contact, for Scan To Destination, click the **Add Destination (+)** button. Enter the nickname that you want to appear in the Address Book.
5. Under Protocol, select an option, then enter the destination address:
 - For FTP, SFTP, or SMB:
 - For **IP Address**, enter the IP Address: Port number.
 - For **Host Name**, enter the Host Name: Port number.
 - For Netware, enter the Server Name, Server Volume, NDS Tree, and NDS Context.
6. For SMB, in the **Share** field, enter the name of the destination folder. For example, to save scanned files to a shared folder named scans, type **scans**.
7. In Document Path, enter the name of the subfolder within the destination folder. For example, to save the scanned files to a folder named colorscans inside the scans folder, type **colorscans**.
8. Enter a valid login name and password.
 - **Note:** Use the login name for the computer that holds the destination folder. For SMB, the login name is your computer user name.
9. To confirm the validity of the destination details, click **Destination Test**.
10. Click **Save**, or select **Add Another Contact After Saving**, then click **Save**.



Note: To mark a contact as a Favorite for email, fax, or scan to destination, for the appropriate field, click the **Star** icon. If you click the **Star** icon for Display Name, the contact becomes a Global Favorite.

Fax

Fax Overview



When you send a fax from the printer control panel, the document is scanned and transmitted to a fax machine, using a dedicated telephone line. You can use the Fax App to fax documents to a fax number, an individual contact, or to a group of contacts.

You can use the Fax App to do the following tasks:

- Delay the send of your fax job for up to 24 hours.
- Send a fax from your computer.
- Forward fax documents to an email address.
- Print a fax from a secure folder.

The fax function works best with an analog phone line. Voice-Over-Internet Protocols (VOIPs) such as FIOS and DSL are not supported. Before you use the Fax App, configure the Fax Settings to ensure that they are compatible with your local connection and regulations. The Fax Settings include optional features you can use to configure the printer for faxing.



Note: Not all options listed are supported on all printers. Some options apply only to a specific printer model, configuration, operating system, or print driver type.

For details about configuring the fax function and customizing the Apps, refer to the *System Administrator Guide* at www.xerox.com/support/ALC80XXdocs.

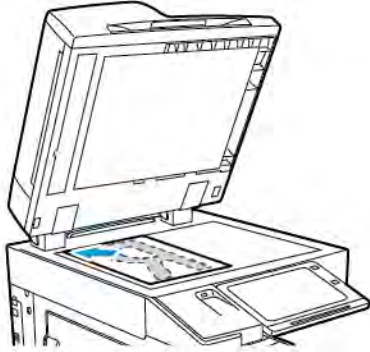
For information about all the App features and available settings, refer to [Apps Features](#).

Sending a Fax

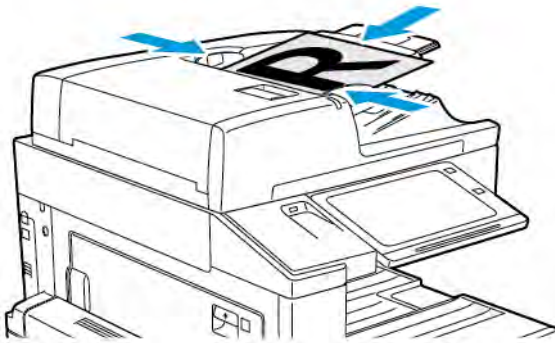
To send a fax:


1. Load your original documents.

- For single pages or paper that cannot be fed using the duplex automatic document feeder, use the document glass. Lift the duplex automatic document feeder, then place the original document face down in the upper-left corner of the document glass.



- For multiple, single, or 2-sided pages, use the duplex automatic document feeder. Remove any staples and paper clips from the pages. Insert the original documents face up in the duplex automatic document feeder, with the top of the page entering the feeder first. Adjust the paper guides so that they fit against the original documents.



 **Note:** When the original documents are detected, the automatic document feeder confirmation indicator LED illuminates.

2. At the printer control panel, press the **Home** button.
3. Touch **Fax**.
4. To clear previous app settings, touch **Reset**.

5. Enter recipients:
 - If the entry screen appears, to enter a recipient, touch an option, or touch **X**.
 - To select a contact or group from the Device Address Book, touch the **Device Address Book** option. Touch **Favorites** or **Contacts**, then select a recipient.
 - To enter the fax number manually, touch **Manual Entry**. In the Enter Fax Number field, enter the fax number, then touch **Add**.
 - To add more recipients, touch **Add Recipient**, then repeat the procedure.



Note: To insert a pause as needed, touch **Dial Pause**. To enter longer pauses, touch **Dial Pause** multiple times.

6. Adjust the fax settings as needed.
 - To scan more documents using the document glass, or to change settings for different sections of the job, touch **Build Job**.
 - If you are scanning from 2-sided original documents, touch **2-Sided Scanning**, then select an option.

For details about available features, refer to [Apps Features](#).

7. Touch **Send**.
8. If Build Job is enabled, touch **Scan**, then, when prompted, do these steps.
 - To change settings, touch **Program Next Segment**.
 - To scan another page, touch **Scan Next Segment**.
 - To finish, touch **Submit**.
9. To return to the Home screen, press the **Home** button.

Fax Workflows

Sending a Delayed Fax

You can set a time in the future for the printer to send your fax job. You can delay the send of your fax job for up to 24 hours.



Note: Before you use this feature, ensure that the printer is set to the current time. For details, refer to the *System Administrator Guide* at www.xerox.com/support/ALC80XXdocs.

To specify the time to send your fax:

1. Load your original documents.
2. At the printer control panel, press the **Home** button, then touch **Fax**.
3. Add fax recipients, then adjust fax settings as needed. For details, refer to [Sending a Fax](#).
4. Touch **Delay Send**.
5. Touch **Delay send**, then set the time to send the fax.
 - To set the hour, touch the **Hour** field, then use the numeric keypad, or touch the arrows.
 - To set the minutes, touch the **Minute** field, then use the numeric keypad, or touch the arrows.
 - If your printer is set to display the 12-hour clock, touch **AM** or **PM**.
6. Touch **OK**.
7. Touch **Send**. The fax is scanned and saved, then sent at the specified time.

Adding a Cover Sheet

You can use the Cover Sheet option to add an introduction page to the beginning of your fax. You can add a short comment to the cover sheet, as well as To and From details.

To include a cover sheet:

1. Load your original documents.
2. At the printer control panel, press the **Home** button, then touch **Fax**.
3. Add fax recipients, then adjust fax settings as needed. For details, refer to [Sending a Fax](#).
4. Touch **Cover Sheet**→**On**.
5. To enter the name of the recipient, touch the **To** field, then use the touch screen keyboard. Touch **OK**.
6. To enter the name of the sender, touch the **From** field, then use the touch screen keyboard. Touch **OK**.
7. To add a comment, do one of the following steps.
 - Touch an existing comment.
 - Touch an <Available> comment, then touch the **Edit** icon. To type text, use the touch screen keypad. Touch **OK**.



Note:

- To delete an existing comment, touch the comment, then touch **X**. To confirm the action, touch **Delete**.
 - To edit an existing comment, touch the comment, then touch the **Edit** icon. To change the comment, use the touch screen keypad. Touch **OK**.
8. Touch **OK**.

Printing a Secure Fax

When the Fax Secure Receive option is enabled, all faxes that the device receives are held in the Job list until you enter a passcode. After you enter the passcode, the faxes are released and printed.



Note: Before you can receive a Secure Fax, ensure that the Secure Fax Receive feature is enabled. For details, refer to the *System Administrator Guide* at www.xerox.com/support/ALC80XXdocs.

To print a secure fax:

1. At the printer control panel, press the **Home** button.
2. Touch **Jobs**.
3. To view Secure Print jobs, touch **Secure Jobs**.
4. Touch your folder.
5. Enter the passcode number, then touch **OK**.

6. Select an option.
 - To print a Secure Print job, touch the job.
 - To print all the jobs in the folder, touch **Print All**.
 - To delete a Secure Print job, touch the **Trash** icon. At the prompt, touch **Delete**.
 - To delete all the jobs in the folder, touch **Delete All**.
7. To return to the Home screen, press the **Home** button.

Polling a Remote Fax Machine

Fax Polling allows you to store a fax document on the printer and make it available for other fax machines to poll. You can also retrieve faxes stored on other fax machines. To use this feature, both the polling printer and the remote printer must have the Fax Polling feature.

Storing a Fax for Polling

You can store faxes for polling as Non-Secure or Secure. When you select Secure Storage, you create a list of remote device fax numbers that are allowed to access secure faxes.

Storing a Fax for Non-Secure Polling

1. Load your original documents.
2. At the printer control panel, press the **Home** button, then touch **Fax**.
3. If the entry screen is displayed, touch **Polling**, or touch **Add Recipient**, then touch **Polling**.
4. Touch **Store Polling Files**.
5. Touch **Non-Secure Storage**, then touch **OK**. To confirm, touch **Update Setting**.
6. Touch **Send**. The original documents are scanned and stored for non-secure polling.

Storing a Fax for Secure Polling

1. Load your original documents.
2. At the printer control panel, press the **Home** button, then touch **Fax**.
3. If the entry screen is displayed, touch **Polling**, or touch **Add Recipient**, then touch **Polling**.
4. Touch **Store Polling Files**.
5. Touch **Secure Storage**.
6. Touch **Enter a Fax Number**. To enter the fax number for the remote device, use the keypad. Touch **OK**.
7. Touch the **+** button. The fax number is added to the access list.
8. Continue to enter fax numbers for all remote devices that require access to the secure documents.
9. Touch **OK**. To confirm, touch **Update Setting**.
10. Touch **Send**. The original documents are scanned and stored for secure polling.

Deleting Documents Stored for Polling

1. At the printer control panel, press the **Home** button, then touch **Fax**.
2. If the entry screen is displayed, touch **Polling**, or touch **Add Recipient**, then touch **Polling**.
3. Touch **Store Polling Files**.

4. Touch **Empty Fax Polling**. To confirm, touch **Empty Fax Polling** again.
5. Touch **OK**.

Printing Faxes Stored for Polling

To print faxes stored for polling:

1. At the printer control panel, press the **Home** button, then touch **Fax**.
2. If the entry screen is displayed, touch **Polling**, or touch **Add Recipient**, then touch **Polling**.
3. Touch **Print From Polling Device**.
4. To print faxes that are stored for polling on the local device:
 - a. Touch **Local Fax Polling**.
 - b. Touch **Print**.
 - c. To delete stored faxes after they print, touch **Empty Fax Polling**. To confirm, touch **Empty Fax Mailbox**.

The local faxes that are stored for polling print.

5. To print faxes that are stored for polling on a remote device:
 - a. Touch **Remote Fax Polling**.
 - b. Touch **Enter Fax Number**. To enter the fax number of the remote device, use the keypad. Touch **OK**.
 - c. To add a number to the list, touch the **+** button. Enter more fax numbers as needed.
 - d. To edit the list of fax numbers, touch a number in the list, then touch **Remove** or **Edit**.
 - e. To set a specific time to poll the remote device, touch **Delay Polling**.
 - Touch **Delay Polling**.
 - To set the hour, touch the **Hour** field, then use the numeric keypad, or touch the arrows.
 - To set the minutes, touch the **Minute** field, then use the numeric keypad, or touch the arrows.
 - If your printer is set to display the 12-hour clock, touch **AM** or **PM**.
 - Touch **OK**.
 - f. Touch **Print**.

The faxes that are stored on the remote device for polling print.

6. Touch **X** to exit.

Storing a Fax in a Local Mailbox

The system administrator must create a mailbox before you can use this feature. For details, refer to the *System Administrator Guide* at www.xerox.com/support/ALC80XXdocs.

To store a fax in a local mailbox:

1. Load your original documents.
2. At the printer control panel, press the **Home** button, then touch **Fax**.
3. If the entry screen is displayed, touch **Mailboxes**, or touch **Add Recipient**, then touch **Mailboxes**.

4. Touch **Store To Mailbox**.
5. Touch **Local Mailbox**.
6. Touch a mailbox from the list.
7. If a passcode is required, touch the **Mailbox Passcode** field. To enter the four-digit mailbox passcode, use the keypad. Touch **OK**.
8. Touch **OK**. The mailbox appears as the recipient of the fax.
9. To select a different mailbox, touch the recipient field, then touch **Remove** or **Edit**.
10. Touch **Send**. The original documents are scanned and stored in the mailbox.

Printing Local Mailbox Documents

To use this feature, you must have documents stored in a mailbox. For details, see [Storing a Fax in a Local Mailbox](#).

To print local mailbox documents:

1. At the printer control panel, press the **Home** button, then touch **Fax**.
2. If the entry screen is displayed, touch **Mailboxes**, or touch **Add Recipient**, then touch **Mailboxes**.
3. Touch **Print From Mailbox**.
4. Touch **Local Mailbox**.
5. Touch a mailbox from the list.
6. If a passcode is required, touch the **Mailbox Passcode** field. To enter the four-digit mailbox passcode, use the keypad. Touch **OK**.
7. Touch **Print**. The documents in the mailbox print.
8. To delete the contents of the mailbox after the device finishes printing, touch **Empty Mailbox**. To confirm, touch **Empty Mailbox**.
9. To exit, touch **X**.

Storing a Fax in a Remote Mailbox

To store a fax in a remote mailbox:

1. Load your original documents.
2. At the printer control panel, press the **Home** button, then touch **Fax**.
3. If the entry screen is displayed, touch **Mailboxes**, or touch **Add Recipient**, then touch **Mailboxes**.
4. Touch **Store To Mailbox**.
5. Touch **Remote Mailbox**.
6. To enter the fax number of the remote device, touch **Enter Remote Fax Number**, then use the numeric keypad. Touch **OK**.
7. To enter the mailbox number, touch the **Mailbox Number** field, then use the numeric keypad. Touch **Enter**.
8. If a passcode is required, touch the **Mailbox Passcode** field. To enter the four-digit mailbox passcode, use the numeric keypad. Touch **OK**.

9. Touch **OK**. To select a different mailbox, touch the recipient field, then touch **Remove** or **Edit**.
10. Touch **Send**. The original documents are scanned and stored in the remote mailbox.

Printing Remote Mailbox Documents


To print remote mailbox documents:

1. At the printer control panel, press the **Home** button, then touch **Fax**.
2. If the entry screen is displayed, touch **Mailboxes**, or touch **Add Recipient**, then touch **Mailboxes**.
3. Touch **Print From Mailbox**.
4. Touch **Remote Mailbox**.
5. To enter the fax number of the remote device, touch **Enter Remote Fax Number**, then use the numeric keypad. Touch **OK**.
6. To enter the mailbox number, touch the **Mailbox Number** field, then use the numeric keypad. Touch **Enter**.
7. If a passcode is required, touch the **Mailbox Passcode** field. To enter the four-digit mailbox passcode, use the keypad. Touch **OK**.
8. Touch **Print**. The documents in the remote mailbox print.
9. Touch **X** to exit.

Adding or Editing Contacts in the Device Address Book from the Control Panel

You can set up the Device Address Book using the Embedded Web Server. The Address Book can contain up to 5000 contacts that you can access when you enter recipients or destinations using apps.

To add or edit contacts in the Device Address Book from the control panel:

 **Note:** Before you can use this feature, the system administrator must enable Create/Edit Contact from Touch Screen for All Users.

1. Load your original documents.
2. At the printer control panel, press the **Home** button.
3. Touch **Fax**.
4. To clear previous App settings, touch **Reset**.
5. Touch **Manual Entry**. To type the fax number, use the touch screen keypad.
6. To add the recipient to the Device Address Book, touch the **Address Book** icon.
7. Do one of the following steps.
 - To create an entry, touch **Create New Contact**. Touch each field, then enter the contact details using the touch screen keypad. Touch **OK**.
 - To add to an existing entry, touch **Add to Existing Contact**. Touch a contact in the list, or use the **Search** option to find a contact.
8. To mark a recipient to appear as a favorite option, touch the **Star** icon.
9. Adjust the fax settings as needed.

10. To start the scan, touch **Send**.
11. To return to the Home screen, press the **Home** button.

Sending a Fax From Your Computer

You can send a fax to the printer from an application on your computer.

Sending a Fax from Windows Applications

You can use the print driver to send a fax from Windows applications.

You can use the fax window to enter recipients, create a cover page with notes, and set options. You can send a confirmation sheet, set the send speed, resolution, send time, and dialing options.

To send a fax from Windows applications:

1. With the desired document or image open in your application, open the Print dialog box. For most software applications, click **File**→**Print** or press **CTRL+P**.
2. Select the required printer. To open the print driver dialog box, click **Printer Properties**.
3. On the **Printing Options** tab, from the Job Type list, select **Fax**.
4. In the Fax window, click the **Recipients** tab.
5. To add recipients manually:
 - a. Click the **Add Recipient** icon.
 - b. Type the recipient name and fax number, then add other information as required.
 - c. Click **OK**.
 - d. To add more recipients, repeat this procedure.
6. To add existing contacts from a phonebook:
 - a. Click the **Add From Phonebook** icon.
 - b. Select the required phonebook from the list.
 - c. Select names from the list, or search for a contact using the search bar.
 - d. To add the selected contacts to the Fax Recipients list, click the **Down Arrow**.
 - e. Click **OK**.
 - f. To add more recipients, repeat this procedure.
7. To include a cover sheet, click the **Cover Sheet** tab. From the Cover Sheet Options list, select **Print a Cover Sheet**. Enter the details as needed, then click **OK**.
8. On the Options tab, select the required options, then click **OK**.
9. To save your settings and return to the main print dialog page, click **OK**.
10. Click **Print**. In the Fax Confirmation window, click **OK**.

Sending a Fax from Macintosh Applications

You can use the fax driver to send a fax from many Macintosh applications. To install the fax driver, refer to [Installing the Print Driver Software](#).

To send a fax from Macintosh applications:

1. With the desired document or image open in your application, open the Print dialog box. For most software applications, click **File**→**Print** or press **CMD+P**.
2. Select the required printer.
3. To access the fax driver settings, click **Preview**, select **Xerox Features**, then from Job Type list, select **Fax**.
4. To add a recipient, in the Fax window, click the **Recipients** tab, then click the **Add Recipient** icon.
5. Type the recipient name and fax number, add other information as needed, then click **OK**.
6. To add more recipients, repeat this procedure.
7. To include a cover sheet, click the **Cover Sheet** tab.
8. From the **Cover Sheet** list, select **Print a Cover Sheet**, then enter the details as needed.
9. On the **Options** tab, select the required options. To save your settings and return to the main print dialog window, click **OK**.
10. To send the fax, click **Print**.

Server Fax

Server Fax Overview



Server Fax allows you to send a fax over a network to a fax server. The fax server then sends the fax to a fax machine over a phone line. Before you can send a server fax, configure a fax filing repository or filing location. The fax server retrieves the documents from the filing location and transmits them over the telephone network.

For details about configuring and customizing the Apps, refer to the *System Administrator Guide* at www.xerox.com/support/ALC80XXdocs.

For information about all the App features and available settings, refer to [Apps Features](#).

Sending a Server Fax

If a fax server is connected to the network, you can send a document to a fax machine without requiring a dedicated telephone line.

When using the server fax, a document is scanned and sent to a fax repository on the network. The fax server sends the fax over a telephone line to a fax machine.

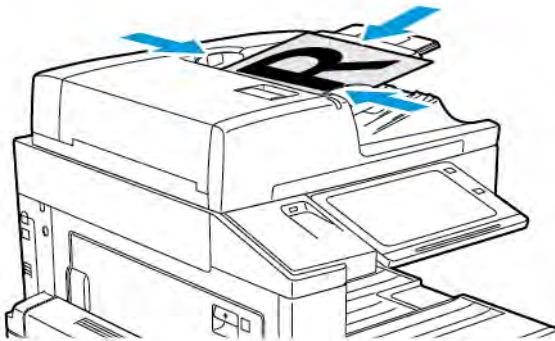
Before you can use the server fax, the system administrator is required to enable the server fax app and configure a fax repository, or filing location.


To send a server fax:

1. Load your original documents.
 - For single pages or paper that cannot be fed using the duplex automatic document feeder, use the document glass. Lift the duplex automatic document feeder, then place the original document face down in the upper-left corner of the document glass.



- For multiple, single, or 2-sided pages, use the duplex automatic document feeder. Remove any staples and paper clips from the pages. Insert the original documents face up in the duplex automatic document feeder, with the top of the page entering the feeder first. Adjust the paper guides so that they fit against the original documents.



 **Note:** When the original documents are detected, the automatic document feeder confirmation indicator LED illuminates.

2. At the printer control panel, press the **Home** button.
3. Touch **Server Fax**.
4. To clear previous app settings, touch **Reset**.

5. Enter recipients.
 - If the entry screen appears, touch an option, or touch **X**.
 - To select a contact or group from the Device Address Book, touch the **Device Address Book** option, then select a recipient.
 - To enter the fax number manually, touch **Manual Entry**. In the Enter Fax Number field, enter the fax number, then touch **Add**.
 - To add more recipients, touch **Add Recipient**, then repeat the procedure.



Note: To insert a pause as needed, touch **Dial Pause**. To enter longer pauses, touch **Dial Pause** multiple times.

6. Adjust server fax settings as needed.
 - To scan more documents using the document glass, or to change settings for different sections of the job, touch **Build Job**.
 - If scanning from 2-sided original documents, touch **2-Sided Scanning**, then select an option.

For details about available features, refer to [Apps Features](#).

7. Touch **Send**.
8. If Build Job is enabled, touch **Scan**, then, when prompted, do these steps.
 - To change settings, touch **Program Next Segment**.
 - To scan another page, touch **Scan Next Segment**.
 - To finish, touch **Submit**.
9. To return to the Home screen, press the **Home** button.

Sending a Delayed Server Fax

You can set a time in the future for the printer to send your fax job. The delay can range from 15 minutes through 24 hours.



Note: Before you use this feature, set the printer to the current time.

To specify the time to send your server fax:

1. Load your original documents.
2. At the printer control panel, press the **Home** button.
3. Touch **Server Fax**.
4. Add server fax recipients, then adjust server fax settings as needed. For details, refer to [Sending a Server Fax](#).
5. Touch **Delay Send**.
6. Touch **Delay Send**, then set the time to send the server fax:
 - To set the hour, touch the **Hour** field, then use the numeric keypad, or touch the arrows.
 - To set the minutes, touch the **Minute** field, then use the numeric keypad, or touch the arrows.
 - If your printer is set to display the 12-hour clock, touch **AM** or **PM**.
7. Touch **OK**.
8. Touch **Send**. The fax is scanned and saved, then sent at the time you specified.
9. To return to the Home screen, press the **Home** button.

Internet Fax

Internet Fax Overview



You can use the Internet Fax App to scan images and attach them to emails. You can specify the file name and format of the attachment, and include a subject heading and message for the email.

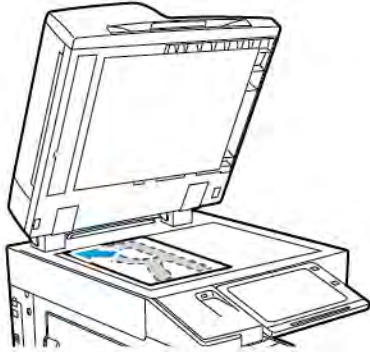
For details on configuring and customizing the Apps, refer to the *System Administrator Guide* at www.xerox.com/support/ALC80XXdocs.

For information about all the App features and available settings, refer to [Apps Features](#).

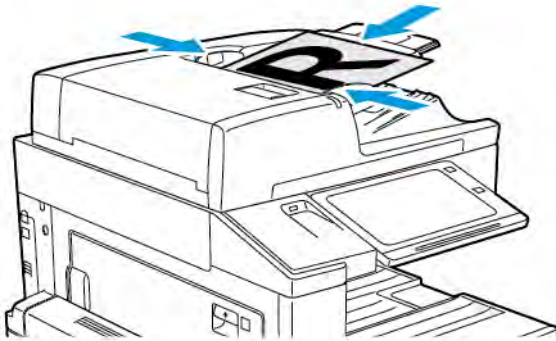
Sending a Scanned Image in an Internet Fax


To send a scanned image in an email:

1. Load your original documents.
 - For single pages or paper that cannot be fed using the duplex automatic document feeder, use the document glass. Lift the duplex automatic document feeder, then place the original document face down in the upper-left corner of the document glass.



- For multiple, single, or 2-sided pages, use the duplex automatic document feeder. Remove any staples and paper clips from the pages. Insert the original documents face up in the duplex automatic document feeder, with the top of the page entering the feeder first. Adjust the paper guides so that they fit against the original documents.



 **Note:** When the original documents are detected, the automatic document feeder confirmation indicator LED illuminates.

2. At the printer control panel, press the **Home** button.
3. Touch **Internet Fax**.
4. To clear previous app settings, touch **Reset**.
5. Enter recipients:
 - If the entry screen appears, to enter a recipient, touch an option, or touch **X**.
 - To select a contact from the Address Book, touch the **Device Address Book** option. Select a recipient, then touch **OK**.
 - To enter an Internet fax address manually, touch **Manual Entry**. In the Enter an Internet Fax Address field, enter the Internet fax address, then touch **Add**.
 - To add more recipients, touch **Add Recipient**, then repeat the procedure.
6. To organize the recipients, touch one of the recipients on the list. From the menu, select **To:** or **Cc:**.

7. Adjust the Internet fax settings as needed:
 - To change the subject, touch **Subject**, enter a new subject, then touch **OK**.
 - To save the scanned document as a specific filename, touch the attachment filename, enter a new name, then touch **OK**.
 - To save the scanned document as a specific file format, touch the attachment file format, then select the required format.
 - To change the Internet fax message, touch **Message**, enter a new message, then touch **OK**.
 - To scan more documents using the document glass, or to change settings for different sections of the job, touch **Build Job**.
 - If scanning from 2-sided original documents, touch **2-Sided Scanning**, then select an option.

For details about available features, refer to [Apps Features](#).

8. To start the scan, touch **Send**.
9. If Build Job is enabled, touch **Scan**, then, when prompted, do these steps.
 - To change settings, touch **Program Next Segment**.
 - To scan another page, touch **Scan Next Segment**.
 - To finish, touch **Submit**.
10. To return to the Home screen, press the **Home** button.

Print From

Print From Overview




You can use the Print From App to print jobs from various sources. You can print jobs stored in a print-ready format from a USB stick. You can also print Saved Jobs and jobs stored in a Mailbox.

To create a print-ready file, when you print your documents from programs such as Microsoft Word, select the Print to File option. Check with your specific publishing application for options to create print-ready files.


Printing From a USB Flash Drive

You can print single or multiple files stored on a USB Flash drive. The USB port is on the front of the printer.

 **Note:** Only USB Flash drives formatted to the typical FAT32 file system are supported.

To print from a USB Flash drive:

1. Insert the USB Flash drive into the USB port on the printer.
2. At the USB Drive Detected screen, touch **Print from USB**.

 **Note:** If the Print from USB feature does not appear, enable the feature, or contact your system administrator. For details, refer to the *System Administrator Guide* at www.xerox.com/support/ALC80XXdocs.

3. To select a file for printing, browse to the file, then touch the check box. If multiple files require printing, browse to each file, then select the check box for each file.
4. Touch **OK**.

A list of files selected for printing appears.

5. To remove files from the printing list:
 - To remove a single file, touch the file, then select **Remove**. To confirm removal, touch **Remove**.
 - To remove all the files, touch a file, then select **Remove All**. To confirm removal, touch **Remove All**.
6. Adjust the feature settings as needed.
7. Touch **Print**.
8. When you are finished, remove the USB Flash drive.
9. To return to the Home screen, press the **Home** button.

Printing from Saved Jobs

To print from saved jobs:

1. At the control panel, press the **Home** button, then touch **Print From**.
2. Touch **Saved Jobs**, then touch the name of the folder that contains the saved job.

3. Touch the name of the saved job that you want to print.
4. Select the options for paper supply, quantity, 2-sided printing, and finishing.
5. Touch **Print**.



Note: To print a private saved job, at the Passcode Required screen, enter the passcode, then touch **OK**.

6. After the job prints, to return to the list of saved jobs, touch **Change File**.
7. To return to the Home screen, press the **Home** button.

Printing from Mailbox

Print from mailbox allows you to print a file that is stored in a folder on the printer hard drive.

To print from a mailbox:

1. At the control panel, press the **Home** button, then touch **Print From**.
2. Select **Mailboxes**, then touch the name of the folder containing the document.



Note: If Mailboxes does not appear, enable the feature or contact the system administrator. For details, refer to the *System Administrator Guide* at www.xerox.com/support/ALC80XXdocs.

3. Touch the name of the document that you want to print.
4. Select the options for paper supply, quantity, 2-sided printing, and finishing.
5. Touch **Print**.
6. After the job prints, to return to the mailbox folder, touch **Change File**.
7. To return to the Home screen, press the **Home** button.

Printing

This chapter contains:

- [Printing Overview](#) 142
- [Print Workflows](#) 143
- [Print Jobs](#) 150
- [Printing Features](#) 154
- [Using Custom Paper Sizes](#) 164
- [Print From](#) 166

Printing Overview

Before you print, ensure that your computer and the printer are plugged in, powered on, and connected to an active network. Ensure that you have the correct print driver software installed on your computer. For details, refer to [Installing the Print Driver Software](#).

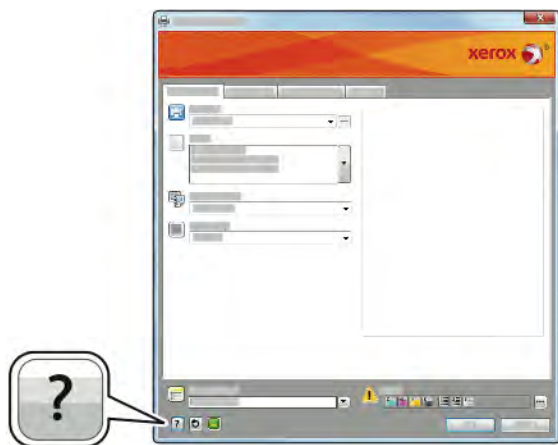
1. Select the appropriate paper.
2. Load paper in the appropriate tray. At the printer control panel, specify the paper size, color, and type.
3. Access the print settings in your software application. For most software applications, press **CTRL +P** for Windows, or **CMD+P** for Macintosh.
4. Select your printer.
5. To access the print driver settings, for Windows, select **Printer Properties**, **Print Options**, or **Preferences**. For Macintosh, select **Xerox Features**. The title of the button can vary depending on your application.
6. Modify the print driver settings as necessary, then click **OK**.
7. To send the job to the printer, click **Print**.

Print Workflows

Printing options, also called print driver software options, are specified as Printing Preferences in Windows, and Xerox® Features in Macintosh. Printing options include settings for 2-sided printing, page layout, and print quality. Printing options that are set from Printing Preferences become the default setting. Printing options that are set from within the software application are temporary. The application and the computer do not save the settings after the application is closed.

Print Driver Help

Xerox® print driver software Help information is available from the Printing Preferences window. Click the Help (?) button in the bottom left corner of the Printing Preferences window to see the Help.



Information about Printing Preferences appears in the Help window on two tabs:

- **Contents** provides a list of the tabs at the top and the areas at the bottom of the Printing Preferences window. Use the Contents tab to find explanations for each of the fields and areas in Printing Preferences.
- **Search** provides a field where you can enter the topic or function for which you need information.

Windows Printing Options

Setting Default Printing Options for Windows

When you print from any software application, the printer uses the print job settings specified in the Printing Preferences window. You can specify your most common printing options and save them so that you do not have to change them every time you print.

For example, if you want to print on both sides of the paper for most jobs, specify 2-sided printing in Printing Preferences.

1. Navigate to the list of printers on your computer:
 - For Windows Server 2008 and later, click **Start**→**Settings**→**Printers**.
 - For Windows 7, click **Start**→**Devices and Printers**.
 - For Windows 8, click **Start**→**Control Panel**→**Devices and Printers**.
 - For Windows 10, click **Start**→**Settings**→**Devices**→**Printers & scanners**. Scroll down in the window, then under Related settings, click **Devices and printers**.



Note: If you are using a custom Start Menu application, it can change the navigation path to your list of printers.

2. In the list of printers, right-click the icon for your printer, then click **Printing preferences**.
3. In the Printing Preferences window, click a tab, then select the options. To save the settings, click **OK**.



Note: For more information about Windows print driver options, click the Help button (?) in the Printing Preferences window.


Selecting Printing Options for an Individual Job for Windows

To use special printing options for a particular job, you can change the Printing Preferences before sending the job to the printer.

1. With the document open in your software application, access the print settings. For most software applications, click **File**→**Print** or press **CTRL+P** for Windows.
2. To open the Printing Preferences window, select your printer, then click the **Printer Properties**, **Print Options**, or **Preferences** button. The title of the button can vary, depending on your application.
3. Click a tab in the Printing Preferences window, then make selections.
4. To save your selections and close the Printing Preferences window, click **OK**.
5. To send the job to the printer, click **Print**.


Selecting Finishing Options for Windows

If your printer has a finisher installed, you can select finishing options in the Properties window of the print driver. Finishing options allow you to select how your document is delivered. For example, you can select hole-punching, stapling, folding, or printing in a booklet format.

 **Note:** Not all options listed are supported on all printers. Some options apply only to a specific printer model, configuration, operating system, or print driver type.

To select finishing options in the PostScript and PCL print drivers:


1. In the print driver, click the **Printing Options** tab.
2. To select a finishing option, to the right of the Finishing list, click the arrow.

 **Note:** The print driver displays stapling positions for paper fed on the long edge. If paper feeds on the short edge instead of the long edge, the finisher can insert the staple in the wrong location.

3. To select the output tray, click the arrow to the right of the Output Destination field, then select an option:
 - **Automatic:** This option determines the output destination based on the number of sets and the stapling option selected. The printer sends multiple sets or stapled sets to the finisher output tray.
 - **Center Tray:** This option selects the output tray in the middle of the Offset Catch Tray, the Office Finisher, or the Business Ready Finisher.
 - **Center Bottom Tray:** This option selects the output tray on the bottom of the Offset Catch Tray.
 - **Finisher Tray:** This option selects the output tray on the Integrated Office Finisher.
 - **Left Tray:** This option selects the output tray on the left side of the printer.
 - **Right Tray:** This option selects the output tray on top of the Office Finisher.
 - **Right Top Tray:** This option to select the output tray on top of the Business Ready Finisher.
 - **Right Middle Tray:** This option selects the output tray in the middle of the Business Ready Finisher.
 - **Right Bottom Tray:** This option selects the output tray on the bottom of the Business Ready Booklet Maker Finisher.
4. To send the job to the printer, click **OK**, then click **Print**.

Selecting Printing Defaults in Windows for a Shared Network Printer

1. Navigate to the list of printers on your computer:
 - For Windows Server 2008 and later, click **Start**→**Settings**→**Printers**.
 - For Windows 7, click **Start**→**Devices and Printers**.
 - For Windows 8, click **Start**→**Control Panel**→**Devices and Printers**.
 - For Windows 10, click **Start**→**Settings**→**Devices**→**Printers & scanners**. Scroll down in the window. For Related settings, click **Devices and printers**.

 **Note:** If the Control Panel icon does not appear on the desktop, right-click the desktop, then select **Personalize**→**Control Panel Home**→**Devices and Printers**.

2. In the list of printers, right-click the icon for your printer, then select **Printer properties**.
3. In the printer Properties dialog box, click the **Advanced** tab.
4. On the Advanced tab, click **Printing Defaults**.

Printing

5. Make your selections on the print driver tabs as needed, then click **Apply**.
6. To save the settings, click **OK**.

Saving a Set of Commonly Used Printing Options for Windows

You can define and save a set of options, so that you can apply them to future print jobs.

To save a set of printing options:

1. With the document open in your application, click **File**→**Print**.
2. Select the printer, then click **Properties**. Click the tabs in the Properties window, then select the desired settings.
3. To save the settings, click the arrow to the right of the Saved Settings field at the bottom of the window, then click **Save As**.
4. Type a name for the set of printing options, then to save the set of options in the Saved Settings list, click **OK**.
5. To print using these options, select the name from the list.

Macintosh Printing Options

Selecting Printing Options for Macintosh

To use specific printing options, change the settings before sending the job to the printer.

1. With the document open in your application, click **File**→**Print**.
2. Select your printer.
3. In the Print window, in the print options list, click **Xerox Features**.



Note: To see all printing options, click **Show Details**.

4. Select any other required printing options from the lists.
5. To send the job to the printer, click **Print**.

Selecting Finishing Options for Macintosh

If your printer has a finisher installed, select finishing options in the Xerox® Features of the print driver.

To select finishing options in the Macintosh print driver:


1. In the Print window, in the print options list, click **Xerox Features**.
2. To select a finishing option, click the arrow to the right of the Finishing field, then select an option.

3. To select the output tray, click the arrow to the right of the Output Destination field, then select an option.
 - **Automatic:** This option determines the output destination based on the number of sets and the stapling option selected. The printer sends multiple sets or stapled sets to the finisher output tray.
 - **Center Tray:** This option selects the output tray in the middle of the Offset Catch Tray, the Office Finisher, or the Business Ready Finisher.
 - **Center Bottom Tray:** This option selects the output tray on the bottom of the Offset Catch Tray.
 - **Finisher Tray:** This option selects the output tray on the Integrated Office Finisher.
 - **Left Tray:** This option selects the output tray on the left side of the printer.
 - **Right Tray:** This option selects the output tray on top of the Office Finisher.
 - **Right Top Tray:** This option selects the output tray on top of the Business Ready Finisher.
 - **Right Middle Tray:** This option selects the output tray in the middle of the Business Ready Finisher.
 - **Right Bottom Tray:** This option selects the output tray on the bottom of the Business Ready Booklet Maker Finisher.
4. To send the job to the printer, click **Print**.

Saving a Set of Commonly Used Printing Options for Macintosh

You can define and save a set of options, so that you can apply them to future print jobs.

To save a set of printing options:

1. With the document open in your application, click **File**→**Print**.
2. Select your printer from the Printers list.
3. Select the required printing options from the lists in the Print dialog box.
 -  **Note:** To see all printing options, click **Show Details**.
4. Click **Presets**→**Save Current Settings as Preset**.
5. Type a name for the printing options. To save the set of options in the Presets list, click **OK**.
6. To print using these options, select the name from the Presets list.

Linux Printing Options

Launching Xerox Printer Manager

To launch Xerox® Printer Manager from a terminal window prompt as root, type **xeroxprtmgr**, then press **Enter** or **Return**.

Printing from a Linux Workstation

To print from a Linux workstation:

1. Create a print queue.
2. With the desired document or graphic open in your application, open the Print dialog box. For most software applications, click **File**→**Print** or press **CTRL+P**.

Printing

3. Select the target print queue.
4. Close the Print dialog box
5. In the Xerox® GUI print driver, select the available printer features.
6. Click **Print**.

The Xerox® print driver accepts job ticket settings files that select additional settings or features. You can also submit print requests through the command line using lp/lpr.

Creating a job ticket using the Xerox® GUI print driver

1. Open the Xerox® GUI print driver.
2. Select the desired options.
3. Click **Save As**, then store the job ticket in a public location, such as /tmp.



Note: Personally identifiable information, such as a Secure Print passcode, is not saved in the job ticket. You can specify the information on the command line.

Creating a job ticket using the command line

1. On the command line, as the root user, type **xeroxprtmgr**.
2. Select the desired options.
3. Click **Save As**, then store the job ticket in a public location, such as /tmp.



Note: Personally identifiable information, such as a Secure Print passcode, is not saved in the job ticket. You can specify the information on the command line.

The following commands are examples of how to print using a job ticket:

- `lp -d{Target_Queue} -oJT={Absolute_Path_To_Job_Ticket} {Path_To_Print_File}`
- `lp -dMyQueue -oJT=/tmp/DuplexedLetterhead /home/user/PrintReadyFile`
- `lp -dMyQueue -oJT=/tmp/Secure -oSecurePasscode=1234 /home/user/PrintReadyFile`

Mobile Printing Options

This printer can print from iOS and Android mobile devices.

Printing with Wi-Fi Direct

You can connect to your printer from a Wi-Fi mobile device, such as a tablet, computer, or smartphone, using Wi-Fi Direct.

For details, refer to [Connecting with Wi-Fi Direct](#).

For details on using Wi-Fi Direct, refer to the documentation provided with your mobile device.



Note: Depending on which mobile device you are using, the printing procedure varies.

Printing from a Mopria-Enabled Mobile Device

Mopria is a software feature that enables users to print from mobile devices without requiring a print driver. You can use Mopria to print from your mobile device to Mopria-enabled printers.

**Note:**

- Mopria and all of its required protocols are enabled by default.
- Ensure that you have the latest version of the Mopria Print Service installed on your mobile device. You can obtain a free download from the Google Play Store.
- Wireless devices must join the same wireless network as the printer.
- The name and location of your printer appears in a list of Mopria-enabled printers on connected devices.

To print using Mopria follow the directions provided with your mobile device.

Print Jobs

Managing Jobs

From the control panel Jobs menu, you can view lists of active jobs, secure jobs, or completed jobs. You can pause, delete, print, or view job progress or job details for a selected job. When you send a secure print job, the job is held until you release it by typing a passcode at the control panel. For details, refer to [Printing Special Job Types](#)

From the Jobs window in the Embedded Web Server, you can view a list of active and saved print jobs.

Pausing, Promoting, or Deleting a Job Waiting to Print

1. At the printer control panel, press the **Home** button.
2. Touch **Jobs**, then touch the name of the desired print job.
3. Select a task.



Note: If you do not make a selection, the job automatically resumes after the set timeout period.

- To pause the print job, touch **Hold**. To resume the print job, touch **Release**.
 - To delete the print job, touch **Delete**. At the prompt, touch **Delete**.
 - To move the job to the top of the list, touch **Promote**.
 - To view the status of the job, touch **Job Progress**.
 - To view information about the job, touch **Job Details**, then touch **Job Settings** or **Required Resources**.
4. To return to the Home screen, press the **Home** button.



Note:

- The system administrator can restrict users from deleting jobs. If a system administrator has restricted job deletion, you can view the jobs, but cannot delete them.
- Only the user that sent the job, or the system administrator, can delete a Secure Print job.

Printing a Job Held for Resources

1. At the printer control panel, press the **Home** button.
2. Touch **Jobs**.
3. From the jobs list, touch the held job name. The resources required for the job appear on the control panel.

4. Do one of the following steps.
 - To print the job, replenish the resources required. The job resumes automatically when the required resources are available. If the job does not print automatically, touch **Resume**.
 - To choose an alternative paper source to enable the job to print, touch **Print On Alternate Paper**. Select a paper tray, then touch **OK**.
 - To delete the print job, touch **Delete**. At the prompt, touch **Delete**.



Note: The Print On Alternate Paper option is enabled using the Embedded Web Server. For details about the Print On Alternate Paper option, refer to the *System Administrator Guide* at www.xerox.com/support/ALC80XXdocs.

5. To return to the Home screen, press the **Home** button.

Printing Special Job Types

Special job types allow you to send a print job from your computer, then print it from the printer control panel. Select special job types in the print driver, Printing Options tab, under Job Type.

Saved Job

Saved Jobs are documents sent to the printer and stored there for future use. All users can print or delete a Saved Job.

On the control panel, from the Print From menu, you can view and print saved jobs. In the Embedded Web Server, on the Jobs window, you can view, print, and delete saved jobs, and you can manage where jobs are stored.

To print a saved job from the control panel, refer to [Printing from Saved Jobs](#).

Printing using Saved Job

1. In your software application, access the print settings. For most software applications, press **CTRL+P** for Windows or **CMD+P** for Macintosh.
2. Select your printer, then open the print driver.
 - For Windows, click **Printer Properties**. Depending on your application, the title of the button can vary.
 - For Macintosh, in the Print window, in the print options list, click **Xerox Features**.
3. For Job Type, select **Saved Job**.
 - a. Type a job name or select a name from the list.
 - b. Type a folder name or select a name from the list.
 - c. To add a passcode, click **Private**, type the passcode, then confirm the passcode.
 - d. Click **OK**.
4. Select other required printing options.
 - For Windows, click **OK**, then click **Print**.
 - For Macintosh, click **Print**.

Print, Delete, Move, or Copy a Saved Job in the Embedded Web Server

1. At your computer, open a Web browser. In the address field, type the IP address of the printer, then press **Enter** or **Return**.
2. In the Embedded Web Server, click **Home**.

Printing

3. Click **Jobs**.
4. Click the **Saved Jobs** tab.
5. For the job that you want to process, select the check box.
6. From the menu, select an option.
 - **Print Job**: This option prints a job immediately.
 - **Delete Job**: This option deletes the saved job.
 - **Move Job**: Use this option to move the job to another folder location.
 - **Copy Job**: Use this option to duplicate the job.
7. Click **Go**.

Secure Print

Use Secure Print to print sensitive or confidential information. After you send the job, it is held at the printer until you enter your passcode at the printer control panel.

After a Secure Print job is printed, it is deleted automatically.

Printing using Secure Print

1. In your software application, access the print settings. For most software applications, press **CTRL+P** for Windows or **CMD+P** for Macintosh.
2. Select your printer, then open the print driver.
 - For Windows, click **Printer Properties**. Depending on your application, the title of the button varies.
 - For Macintosh, in the Print window, click **Preview**, then select **Xerox Features**.
3. For Job Type, select **Secure Print**.
4. Type the passcode, confirm the passcode, then click **OK**.
5. Select any other required printing options.
 - For Windows, click **OK**, then click **Print**.
 - For Macintosh, click **Print**.

Releasing a Secure Print job

1. At the printer control panel, press the **Home** button.
2. Touch **Jobs**.
3. To view Secure Print jobs, touch **Personal & Secure Jobs**.
4. Touch your folder.
5. Enter the passcode number, then touch **OK**.
6. Select an option:
 - To print a Secure Print job, touch the job.
 - To print all the jobs in the folder, touch **Print All**.
 - To delete a Secure Print job, touch the **Trash** icon. At the prompt, touch **Delete**.
 - To delete all the jobs in the folder, touch **Delete All**.



Note: After a Secure Print job is printed, it is deleted automatically.

7. To return to the Home screen, press the **Home** button.

Sample Set

The Sample Set job type prints one copy of a multiple-copy print job before printing the remaining copies. After reviewing the sample set, you can either print the remaining copies or delete them at the printer control panel.

Sample Set is a type of saved job with these features:

- A Sample Set job appears in a folder named after the user ID associated with the print job.
- A Sample Set job does not use a passcode.
- Any user can print or delete a Sample Set job.
- A Sample Set prints one copy of a job to allow you to proofread the job before printing any remaining copies.

After a Sample Set job is printed, it is deleted automatically.

To print a Sample Set, refer to [Printing using Sample Set](#).

Printing using Sample Set

1. In your software application, access the print settings. For most software applications, press **CTRL+P** for Windows or **CMD+P** for Macintosh.
2. Select your printer, then open the print driver.
 - For Windows, click **Printer Properties**. Depending on your application, the title of the button varies.
 - For Macintosh, in the Print window, click **Preview**, then select **Xerox Features**.
3. For Job Type, select **Sample Set**.
4. Select any other required printing options.
 - For Windows, click **OK**, then click **Print**.
 - For Macintosh, click **Print**.

Releasing a Sample Set

1. At the printer control panel, press the **Home** button.
2. To view available jobs, touch **Jobs**.
3. Touch the Sample Set job.



Note: The Sample Set file description shows the job as Held for Future Printing, and shows the number of remaining copies of the job.

4. Select an option.
 - To print the remaining copies of the job, touch **Release**.
 - To delete the remaining copies of the job, touch **Delete**.
5. To return to the Home screen, press the **Home** button.

Printing Features

Selecting Paper Options for Printing

There are two ways to select the paper for your print job. You can let the printer select which paper to use based on the document size, paper type, and paper color you specify. You can also select a specific tray loaded with the desired paper.

- To locate paper options in Windows, in the print driver, click the **Printing Options** tab.
- To locate paper options on Macintosh, in the Print window, in the print options list, click **Xerox Features**. Within Xerox Features, in the options list, click **Paper/Output**.

Scaling

Scaling reduces or enlarges the original document to match the selected output paper size.

- To locate scale options in Windows, on the Printing Options tab, for Paper, click the arrow, select **Other Size**, then click **Advanced Paper Size**.
- To locate scale options on Macintosh, in the Print window, click **Show Details**.

The following scaling options are available:

- **Automatically Scale** scales the document to fit the selected Output Paper Size. The scaling amount appears in the percentage box below the sample image.
- **No Scaling** does not change the size of the page image printed on the output paper, and 100 % appears in the percentage box. If the original size is larger than the output size, the page image is cropped. If the original size is smaller than the output size, extra space appears around the page image.
- **Manually Scale** scales the document by the amount entered in the percentage box below the preview image.

Printing on Both Sides of the Paper

Printing a 2-Sided Document

If your printer supports Automatic 2-Sided Printing, the options are specified in the print driver. The print driver uses the settings for portrait or landscape orientation from the application for printing the document.



Note: Ensure that the paper size and weight are supported. For more information, refer to [Supported Paper Sizes and Weights for Automatic 2-Sided Printing](#).

2-Sided Page Layout Options

You can specify the page layout for 2-sided printing, which determines how the printed pages turn. These settings override the application page orientation settings.

- **1-Sided Print:** This option prints on one side of the media. Use this option when printing on envelopes, labels, or other media that cannot be printed on both sides.
- **2-Sided Print:** This option prints the job on both sides of the paper to allow binding on the long edge of the paper. The following illustrations show the result for documents with portrait and landscape orientations, respectively:



- **2-Sided Print, Flip on Short Edge:** This option prints on both sides of the paper. The images print to allow binding on the short edge of the paper. The following illustrations show the result for documents with portrait and landscape orientations, respectively:



Note: 2-Sided Printing is part of the Earth Smart settings.

To change your default print driver settings, refer to [Setting Default Printing Options for Windows](#).

Xerox Black and White

You can select printing in color or black and white.

- **Off (use Document Color):** Use this option to print in color.
- **On:** Use this option to print in black and white.

Print Quality

The Windows PostScript driver and the Macintosh drivers provide the highest print-quality modes:

- **High Resolution:** 1200 x 1200 dpi (1-bit depth). This mode provides the best overall image quality for detailed line drawings such as CAD files. It is recommended for printing vibrant, saturated, color prints or photos. Print jobs can take longer to process when printed using High Resolution mode.
- **Enhanced:** 600 x 600 dpi (8-bit depth). This mode is used for better print quality, and is the best mode to use for business presentations. Enhanced mode takes longer to process than Standard or Toner Saver.
- **Standard:** 600 x 600 dpi (1-bit depth). This mode is used for general-purpose printing, and is optimized for good print quality. Standard quality is suitable for most print jobs.
- **Toner Saver:** 600 x 600 dpi (1-bit depth). This mode is used for document preview, and is optimized for quickest print processing. Toner Saver is useful for draft-quality output.

Image Options

Image options control the way the printer uses color to produce your document. The Windows PostScript print driver and the Macintosh print drivers provide the widest range of color controls and corrections on the Image Options tab.

- To locate color options in Windows, in the print driver, click the **Image Options** tab.
- To locate color options on Macintosh, in the Print window, in the print options list, click **Xerox Features**. Within Xerox Features, in the options list, click **Color Options**.

Color Correction

Color Correction matches printer colors on PostScript jobs to colors on other devices, such as your computer monitor screen or a printing press.

Color Correction options:

- **Xerox Black and White:** This feature converts all color in the document to black and white, or shades of gray.
- **Xerox Automatic Color:** This option applies the best color correction to text, graphics, and images. Xerox recommends this setting. There are 13 more selections within Xerox Automatic Color, including Vivid RGB and Commercial.
- **Custom Automatic Color:** This setting provides finer control over color adjustments. There are numerous selections for color adjustments to text, graphics, and images.

Color by Words

Color By Words allows you to adjust colors by building sentences using common phrases describing how to change colors.

For more information, refer to the help for your print driver.

Color Adjustments

Use Color Adjustments to adjust particular characteristics of the printed color. Characteristics include lightness, contrast, saturation, and color cast.



Note: Not all options listed are supported on all printers. Some options apply only to a specific printer model, configuration, operating system, or driver type.

Lightness

The Lightness feature allows you to adjust the overall lightness or darkness of the text and images in your printed job.

Contrast

You can use the Contrast feature to adjust the variation between light and dark areas of the print job.

Saturation

Saturation allows you to adjust the color strength and the amount of gray in the color.

Color Cast

Use Color Cast settings to adjust the amount of a selected color in the print job while preserving lightness.

The following options are available:

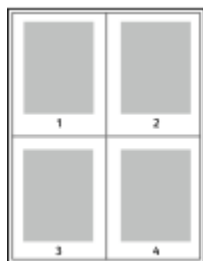
- The Cyan to Red option allows you to adjust the color balance between cyan and red. For example, when you increase the cyan levels, the red levels decrease.
- The Magenta to Green option allows you to adjust the color balance between magenta and green. For example, when you increase the magenta levels, the green levels decrease.
- The Yellow to Blue option allows you to adjust the color balance between yellow and blue. For example, when you increase the yellow levels, the blue levels decrease.

Printing Multiple Pages to a Single Sheet

When printing a multiple-page document, you can print more than one page on a single sheet of paper.

To print 1, 2, 4, 6, 9, or 16 pages per side, on the Page Layout tab, select **Pages Per Sheet**.

- To locate Pages Per Sheet in Windows, on the Document Options tab, click **Page Layout**.
- To locate Pages Per Sheet on Macintosh, in the Print window, in the print options list, click **Layout**.



To print a border around each page, select **Page Borders**.

Printing Booklets

With 2-sided printing, you can print a document in the form of a small booklet. You can create booklets from any paper size that is supported for 2-sided printing.

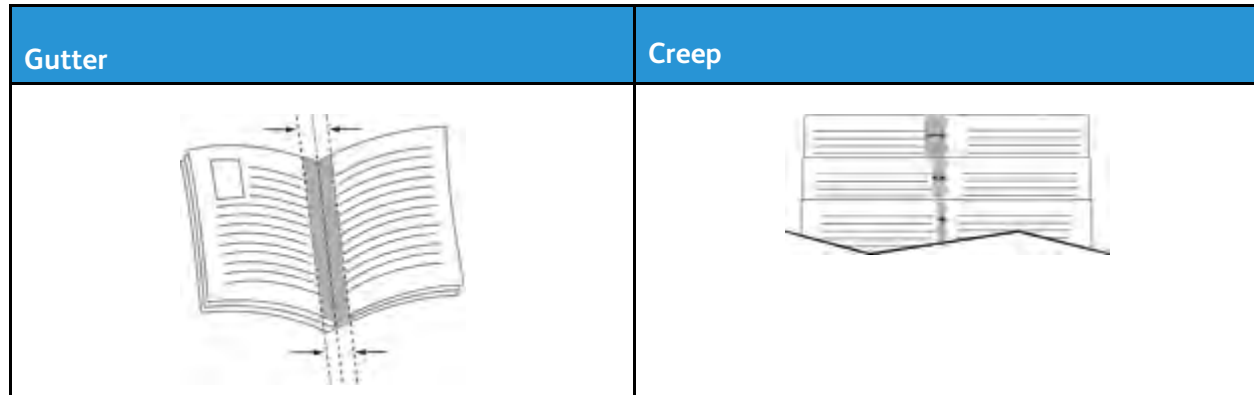
The print driver automatically reduces each page image and prints four page images per sheet of paper, two page images on each side. The pages are printed in the correct order so that you can fold and staple the pages to create the booklet.


- To locate booklet creation in Windows, on the Document Options tab, click **Page Layout**.
- To locate booklet creation on Macintosh, in the Print window, in the print options list, click **Xerox Features**. Within Xerox Features, in the options list, click **Booklet Layout**.

When you print booklets using the Windows PostScript or Macintosh driver, you can specify the gutter and creep.

Printing

- **Gutter:** Specifies the horizontal distance in points between the page images. A point is 0.35 mm (1/72 in.).
- **Creep:** Specifies how much the page images shift outward in tenths of a point. Shifting compensates for the thickness of the folded paper, which can cause the page images to shift outward slightly when folded. You can select a value from zero to 1 point.



 **Note:** To print a border around each page, select **Page Borders**.

Using Special Pages

The Special Pages options control how covers, inserts, and exception pages are added to your printed document.

- To locate Special Pages in Windows, on the Document Options tab, click **Special Pages**.
- To locate Special Pages on Macintosh, in the Print window, in the print options list, click **Xerox Features**. Within Xerox Features, in the options list, click **Special Pages**.

Printing Cover Pages

A cover page is the first or last page of a document. You can select paper sources for the cover pages that are different from the source used for the body of a document. For example, you can use your company letterhead for the first page of a document. You can use heavyweight paper for the first and last pages of a report. You can use any applicable paper tray as the source for printing cover pages.

The following options are available:

- **No Covers:** This option does not print cover pages. No cover pages are added to the document.
- **Front Only:** This option prints the first page on paper from the specified tray.
- **Back Only:** This option prints the back page on paper from the specified tray.
- **Front and Back: Same:** This option prints the front and back cover pages from the same tray.
- **Front and Back: Different:** This option prints the front and back cover pages from different trays.

After you make a selection for printing the cover pages, you can select the paper for the front and back covers by size, color, or type. You can use blank or pre-printed paper, and you can print side one, side two, or both sides of the cover pages.

Printing Insert Pages

You can add blank or pre-printed insert pages before page one of each document or after designated pages within a document. Adding an insert after designated pages within a document separates sections, or acts as a marker or placeholder. Ensure that you specify the paper to use for the insert pages.

- **Insert Options:** Provides the options to place an insert After Page X, where X is the specified page, or Before Page 1.
- **Quantity:** Specifies the number of pages to insert at each location.
- **Pages:** Specifies the page or range of pages that use the exception page characteristics. Separate individual pages or page ranges with commas. Specify pages within a range with a hyphen. For example, to specify pages 1, 6, 9, 10, and 11, type **1,6,9-11**.
- **Paper:** Displays the default size, color, and type of paper selected in Use Job Settings. To specify a different paper size, color, or type, for Paper, click the arrow, then select an option.
- **Job Setting:** Displays the attributes of the paper for the remainder of the job.

Printing Exception Pages

Exception pages have different settings from the rest of the pages in the job. You can specify differences such as page size, page type, and page color. You can also change the side of the paper on which to print as your job requires. A print job can contain multiple exceptions.

For example, your print job contains 30 pages. You want five pages to print on only one side of a special paper, and the remainder of the pages printed 2-sided on regular paper. You can use exception pages to print the job.

In the Add Exceptions window, you can set the characteristics of the exception pages and select the alternate paper source:

- **Pages:** Specifies the page or range of pages that use the exception page characteristics. Separate individual pages or page ranges with commas. Specify pages within a range with a hyphen. For example, to specify pages 1, 6, 9, 10, and 11, type **1,6,9-11**.
- **Paper:** Displays the default size, color, and type of paper selected in Use Job Settings.
- **2-Sided Printing** allows you to select 2-sided printing options. Click the **Down** arrow to select an option:
 - **1-Sided Print** prints the exception pages on one side only.
 - **2-Sided Print** prints the exception pages on both sides of the paper and flips the pages on the long edge. The job then can be bound on the long edge of the pages.
 - **2-Sided Print, Flip on Short Edge** prints the exception pages on both sides of the paper and flips the pages on the short edge. The job then can be bound on the short edge of the pages.
 - **Use Job Setting** prints the job using the attributes shown in the Job Settings box.
- **Job Setting:** Displays the attributes of the paper for the remainder of the job.



Note: Some combinations of 2-sided printing with certain paper types and sizes can produce unexpected results.

Printing Watermarks for Windows

A watermark is special purpose text that can be printed across one or more pages. For example, you can add a word like Copy, Draft, or Confidential as a watermark instead of stamping it on a document before distribution.



Note:

- This feature is available only on a Windows computer printing to a network printer.
- Not all options listed are supported on all printers. Some options apply only to a specific printer model, configuration, operating system, or print driver type.
- Watermarks are not supported for some print drivers when booklet is selected or when more than one page is printed on a sheet of paper.

To print a watermark:

1. In the print driver, click the **Document Options** tab.
2. Click the **Watermark** tab.
3. From the Watermark menu, select the watermark. You can choose from preset watermarks, or create a customized watermark. You can also manage watermarks from this menu.
4. Under Text, select an option:
 - **Text:** Enter the text in the field, then specify the font.
 - **Time Stamp:** Specify the date and time options, then specify the font.
 - **Picture:** To locate the picture, click the Browse icon.
5. Specify the scaling angle and position of the watermark.
 - Select the scaling option that specifies the size of the picture in relation to the original image. Use the arrows to scale the image in increments of 1 %.
 - To define the angle of the image on the page, specify the position option, or to rotate the image left or right by increments of 1, use the arrows.
 - To define the location of the image on the page, specify the position option, or to move the image in each direction in increments of 1, use the arrows.
6. Under **Layering**, select how to print the watermark.
 - **Print in Background** prints the watermark behind the text and graphics in the document.
 - **Blend:** This option combines the watermark with the text and graphics in the document. A blended watermark is translucent, so you can see both the watermark and the document content.
 - **Print in Foreground** prints the watermark over the text and graphics in the document.
7. Click **Pages**, then select the pages to print the watermark:
 - **Print on All Pages** prints the watermark on all pages of your document.
 - **Print on Page 1 Only** prints the watermark only on the first page of the document.
8. If you select a picture as a watermark, specify the lightness settings for the image.
9. Click **OK**.

Orientation

Orientation allows you to select the direction that the page prints.

- To locate orientation options in Windows, on the Document Options tab, click **Orientation**.



Note: The orientation setting in your application print dialog box can override the orientation options in the print driver.

- To locate orientation options on Macintosh, in the Print window, click **Show Details**.

The following options are available:

- **Portrait:** Orients the paper so that the text and images print across the short dimension of the paper.



- **Landscape:** Orients the paper so that the text and images print across the long dimension of the paper.



- **Rotated Landscape:** Orients the paper so that the content is rotated 180 degrees and with the long bottom side up.



Note: For Macintosh, to print portrait text and images in landscape orientation, clear the Auto Rotate check box.

Advanced Tab

You can use the Advanced tab to set advanced printing options. Selections on this tab apply to all jobs that you print with the print driver.



Note: Not all options listed are supported on all printers. Some options apply only to a specific printer model, configuration, operating system, or print driver type.

- To locate advanced printing options in Windows, in the print driver, click the **Advanced** tab.
- To locate advanced printing options on Macintosh, in the Print window, in the print options list, click **Xerox Features**. Within Xerox Features, in the options list, click **Advanced**.

Job Identification

You can use the Job ID feature to change the job identification setting for your print job. You can print the job identification on a separate banner page or on the pages of your document.

To change the job identification setting from the Advanced tab:

1. Click **Job ID** or **Job Identification**.
2. Select an option.
 - **Disable Job ID:** This option directs the printer not to print a banner page.
 - **Print ID on a Banner Page:** This option prints the job identification on a banner page.
 - **Print ID in Margins - First Page Only:** This option prints the job identification on the first page of the document in the top-left margin.
 - **Print ID in Margins - All Pages:** This option prints the job identification in the top-left margin on every page of the document.
3. Click **OK**.

Printing Mirror Images

If the PostScript print driver is installed, you can print pages as a mirror image. Images are mirrored left-to-right when printed.

- To locate mirror output in Windows, on the Advanced tab, for Advanced Settings, click **Mirror Output**.
- To locate mirror output on Macintosh, within Xerox Features, in the Advanced window, click **Mirrored Output**.

Selecting Job Completion Notification for Windows

You can select to be notified when your job finishes printing. A message appears on your computer screen with the name of the job and the name of the printer where it was printed.


 **Note:** This feature is only available on a Windows computer printing to a network printer.

To select job completion notification from the Advanced tab:

1. Click **Notifications**.
2. Click **Notify for Completed Jobs**, then select an option.
 - **Enabled:** This option turns on notifications.
 - **Disabled:** This option turns off the Notification feature.
3. Click **OK**.

Document Encryption for Windows Print Jobs

You can select encryption for your print job. The print file is encrypted before it is transmitted to the printer. The print file is decrypted before it is printed.

 **Note:** This feature is available on a Windows computer that is printing to a network printer. It applies to the PostScript and PCL print drivers.

To locate the setting to enable or disable document encryption, in the print driver, click the **Advanced** tab.



Note: This feature is available only when Document Encryption is set to Manually Encrypt Documents in the printer properties of the printer. For details, refer to [Setting Encryption Defaults in Windows](#).

Setting Encryption Defaults in Windows

1. Navigate to the list of printers on your computer:
 - For Windows Server 2008 and later, click **Start**→**Settings**→**Printers**.
 - For Windows 7, click **Start**→**Devices and Printers**.
 - For Windows 8, click **Start**→**Control Panel**→**Devices and Printers**.
 - For Windows 10, click the Windows **Start**→**Settings**→**Devices**→**Printers & Scanners**. Scroll to Related settings, then click **Devices and printers**.



Note: If the Control Panel icon does not appear on the desktop, right-click the desktop, then select **Personalize**. Select **Control Panel Home**→**Devices and Printers**.

2. In the list of printers, right-click the icon for your printer, then select **Printer properties**.
3. In the printer Properties dialog box, click the **Administration** tab.
4. Under Configurations, click **Document Encryption**, then select an option:
 - **Disabled:** This option disables encryption for all documents that you send to the printer.
 - **Encrypt All Documents:** This option encrypts all documents that you send to the printer.
 - **Manually Encrypt Documents:** This option allows you to set encryption for specific jobs that you send to the printer.




Note: Manually Encrypt Documents is the default printer setting.

5. Click **Apply**.
6. To save the settings, click **OK**.


Using Custom Paper Sizes

You can print on custom paper sizes that are within the minimum and maximum size range supported by the printer. For details, refer to [Supported Custom Paper Sizes](#).

Printing on Custom Paper Sizes

 **Note:** Before printing on a custom paper size, use the Custom Paper Sizes feature in Printer Properties to define the custom size. For more information, refer to [Defining Custom Paper Sizes](#).

Printing on Custom Paper Size from Windows

 **Note:** Before printing on custom-size paper, define the custom size in the Printer Properties.

1. Load the custom-size paper in the tray.
2. In the application, click **File**→**Print**, then select your printer.
3. In the Print dialog box, click **Printer Properties**.
4. On the Printing Options tab, from the Paper list, select the required custom paper size and type.
5. Select any other required options, then click **OK**.
6. In the Print dialog box, click **Print**.

Printing on Custom Paper Size from Macintosh

1. Load the custom-size paper. For details, refer to [Loading Paper](#).
2. In the application, click **File**→**Print**.
3. From the Paper Size list, select the custom paper size.
4. Click **Print**.

Defining Custom Paper Sizes

To print custom paper sizes, define the custom width and length of the paper in the print driver software and on the printer control panel. When setting the paper size, ensure that you specify the same size as the paper in the tray. Setting the wrong size can cause a printer error. Print driver settings override control panel settings when you print using the print driver software on your computer.

Creating and Saving Custom Paper Sizes in the Print Driver

You can print custom-size paper from any paper tray. Custom-size paper settings are saved in the print driver and are available for you to select in all your applications.

For details on supported paper sizes for each tray, refer to [Supported Custom Paper Sizes](#).

Creating and Saving Custom Sizes for Windows


1. In the print driver, click the **Printing Options** tab.
2. For Paper, click the arrow, then select **Other Size**→**Advanced Paper Size**→**Output Paper Size**→**New**.
3. In the New Custom Paper Size window, enter the height and width of the new size.
4. To specify the units of measurement, at the bottom of the window, click the **Measurements** button, then select **Inches** or **Millimeters**.
5. To save, in the Name field, type a title for the new size, then click **OK**.

Creating and Saving Custom Sizes for Macintosh

1. In the application, click **File**→**Print**.
2. Click **Paper Size**, then select **Manage Custom Sizes**.
3. To add a new size, in the Manage Paper Sizes window, click the plus sign (+).
4. Double-click **Untitled**, then type a name for the new custom size.
5. Enter the height and width of the new custom size.
6. Click the arrow for the Non-Printable Area field, then select the printer from the list. Or, for User Defined margins, set the top, bottom, right, and left margins.
7. To save the settings, click **OK**.

Defining a Custom Paper Size at the Control Panel

You can print custom-size paper from Tray 5. If Trays 1 and 2 are set to Fully Adjustable mode, you can print custom-size paper from Trays 1 and 2. Custom-size paper settings are saved in the print driver and are available for you to select in all your applications.


 **Note:** To configure the tray settings for Fully Adjustable or Dedicated mode, refer to [Configuring Tray Settings](#).

1. Open the paper tray, then load the custom-size paper.
2. Close the tray.
3. At the control panel, to define the new paper size, touch **Size**, then touch **Custom**.
4. In the Custom Paper Size window, enter the height and width of the new paper size, then touch **OK**.
5. To confirm the settings, touch **Confirm**.

Print From


Printing From a USB Flash Drive

You can print single or multiple files stored on a USB Flash drive. The USB port is on the front of the printer.

 **Note:** Only USB Flash drives formatted to the typical FAT32 file system are supported.

To print from a USB Flash drive:

1. Insert the USB Flash drive into the USB port on the printer.
2. At the USB Drive Detected screen, touch **Print from USB**.

 **Note:** If the Print from USB feature does not appear, enable the feature, or contact your system administrator. For details, refer to the *System Administrator Guide* at www.xerox.com/support/ALC80XXdocs.

3. To select a file for printing, browse to the file, then touch the check box. If multiple files require printing, browse to each file, then select the check box for each file.
4. Touch **OK**.


A list of files selected for printing appears.

5. To remove files from the printing list:
 - To remove a single file, touch the file, then select **Remove**. To confirm removal, touch **Remove**.
 - To remove all the files, touch a file, then select **Remove All**. To confirm removal, touch **Remove All**.
6. Adjust the feature settings as needed.
7. Touch **Print**.
8. When you are finished, remove the USB Flash drive.
9. To return to the Home screen, press the **Home** button.

Printing from Saved Jobs

To print from saved jobs:

1. At the control panel, press the **Home** button, then touch **Print From**.
2. Touch **Saved Jobs**, then touch the name of the folder that contains the saved job.
3. Touch the name of the saved job that you want to print.
4. Select the options for paper supply, quantity, 2-sided printing, and finishing.
5. Touch **Print**.

 **Note:** To print a private saved job, at the Passcode Required screen, enter the passcode, then touch **OK**.

6. After the job prints, to return to the list of saved jobs, touch **Change File**.
7. To return to the Home screen, press the **Home** button.

Printing from Mailbox

Print from mailbox allows you to print a file that is stored in a folder on the printer hard drive.

To print from a mailbox:

1. At the control panel, press the **Home** button, then touch **Print From**.
2. Select **Mailboxes**, then touch the name of the folder containing the document.



Note: If Mailboxes does not appear, enable the feature or contact the system administrator. For details, refer to the *System Administrator Guide* at www.xerox.com/support/ALC80XXdocs.

3. Touch the name of the document that you want to print.
4. Select the options for paper supply, quantity, 2-sided printing, and finishing.
5. Touch **Print**.
6. After the job prints, to return to the mailbox folder, touch **Change File**.
7. To return to the Home screen, press the **Home** button.

Printing from the Embedded Web Server

You can print **.pdf**, **.ps**, **.pcl**, and **.xps** files directly from the Embedded Web Server without need of another application or the print driver. The files can be stored on a local computer hard drive, mass storage device, or network drive.

To print from the Embedded Web Server:

1. At your computer, open a Web browser, in the address field, type the IP address of the printer, then press **Enter** or **Return**.



Note: If you do not know the IP address of your printer, refer to [Finding the IP Address of Your Printer](#).

2. In the Embedded Web Server, click the **Print** tab.
3. To select the file from a local network or remote location, for File Name, click **Browse**, select the file, then click **Open**.
4. For Printing, select the desired options for the job.
 - **Normal Print** prints a job immediately.
 - **Secure Print** prints a job after you enter your passcode at the printer control panel.
 - **Sample Set**, or Proof Print, prints one copy of a multiple-copy print job and holds the remaining copies at the printer.
 - **Save Job for Reprint** saves a print job in a folder on the print server for future printing. You can specify a job name and folder.
 - **Delay Print** prints a job at a specified time up to 24 hours from the original job submission.
5. If Accounting is enabled, enter your User ID and account information.
6. Click **Submit Job**.



Note: To ensure that the job was sent to the queue, wait for the job submission confirmation message to appear before you close this page.

Paper and Media

This chapter contains:

- [Paper and Media Overview](#) 170
- [Supported Paper](#) 171
- [Paper Tray Settings](#) 178
- [Loading Paper](#) 180
- [Printing on Special Paper](#) 190

Paper and Media Overview

The printer has five paper trays:

- Tray 1 is an adjustable paper tray for loading a range of paper sizes.
- For the 3-Tray configuration, Trays 2, 3, and 4 are adjustable trays similar to Tray 1.
- For the Tandem Tray configuration, Tray 2 is an adjustable paper tray, and Trays 3 and 4 are high-capacity trays that can hold A4, Letter, JIS B5, and Executive size paper.
- Tray 5 is designed for loading small amounts of special paper.

The optional Envelope Tray can replace Tray 1. Tray 6 is an optional high-capacity paper tray holding A4, Letter, JIS B5, or Executive size paper.

The printer can use various media types, such as plain, recycled, or colored paper, letterhead, pre-printed, cardstock, labels, transparencies, and envelopes. Ensure that you use the correct media for the tray that you are loading. You can load all types of media in Tray 5.

Labels inside each tray show the correct orientation for loading certain types of media. The MAX label shows the maximum fill line for the tray.

Supported Paper

Your printer is designed to use various paper and other media types. To ensure the best print quality and to avoid jams, follow the guidelines in this section.

For best results, use Xerox paper and media recommended for your printer.

Recommended Media

A list of paper and media recommended for your printer is available at:

- www.xerox.com/rmlna Recommended Media List (United States)
- www.xerox.com/rmleu Recommended Media List (Europe)

Ordering Paper

To order paper, transparencies, or other media, contact your local reseller or go to www.xerox.com/supplies.

General Paper Loading Guidelines

- Do not overfill the paper trays. Do not load paper above the maximum fill line in the tray.
- Adjust the paper guides to fit the paper size.
- Fan paper before loading it in the paper tray.
- If excessive jams occur, use paper or other approved media from a new package.
- Use only recommended Xerox® transparencies. Print quality could vary with other transparencies.
- Do not print on label media once a label has been removed from a sheet.
- Use only paper envelopes. Print envelopes 1-sided only.

Paper That Can Damage Your Printer

Some paper and other media types can cause poor output quality, increased paper jams, or damage your printer. Do not use the following:

- Rough or porous paper
- Inkjet paper
- Non-laser glossy or coated paper
- Paper that has been photocopied
- Paper that has been folded or wrinkled
- Paper with cutouts or perforations
- Stapled paper
- Envelopes with windows, metal clasps, side seams, or adhesives with release strips
- Padded envelopes
- Plastic media

- Iron on transfer paper

! **Caution:** The Xerox® Warranty, Service Agreement, or Xerox® Total Satisfaction Guarantee does not cover damage caused by using unsupported paper or special media. The Xerox® Total Satisfaction Guarantee is available in the United States and Canada. Coverage could vary outside these areas. Contact your Xerox representative for details.

Paper Storage Guidelines

Storing your paper and other media properly contributes to optimum print quality.

- Store paper in dark, cool, relatively dry locations. Most paper is susceptible to damage from ultraviolet and visible light. Ultraviolet light, from the sun and fluorescent bulbs, is particularly damaging to paper.
- Reduce the exposure of paper to strong lights for long periods of time.
- Maintain constant temperatures and relative humidity.
- Avoid storing paper in attics, kitchens, garages, or basements. These spaces are more likely to collect moisture.
- Store paper flat, either on pallets, cartons, shelves, or in cabinets.
- Avoid food or drinks in the area where paper is stored or handled.
- Do not open sealed packages of paper until you are ready to load them into the printer. Leave stored paper in the original packaging. The paper wrapper protects the paper from moisture loss or gain.
- Some special media is packaged inside resealable plastic bags. Store the media inside the bag until you are ready to use it. Keep unused media in the bag and reseal it for protection.

Supported Paper Types and Weights

Trays	Paper Types	Weights
Trays 1 and 2 Trays 3 and 4 of the 3-Tray Module	Bond Custom Hole-punched Letterhead Plain Pre-printed Recycled Transparency	60–105 g/m ²
	Labels Lightweight Cardstock Lightweight Glossy Cardstock	106–169 g/m ²

Trays	Paper Types	Weights
	Cardstock Cardstock Reloaded Glossy Cardstock Glossy Cardstock Reloaded	170–256 g/m ²
Trays 3 and 4 of the Tandem Tray Module Tray 6	Bond Custom Hole-punched Letterhead Plain Pre-printed Recycled Transparency	60–105 g/m ²
	Labels Lightweight Cardstock Lightweight Glossy Cardstock	106–169 g/m ²
	Cardstock Cardstock Reloaded Glossy Cardstock Glossy Cardstock Reloaded	170–256 g/m ²
Tray 5	Bond Custom Hole-punched Letterhead Plain Pre-printed Recycled Transparency	55–105 g/m ²
	Envelopes	75-90 g/m ²
	Labels Lightweight Cardstock Lightweight Glossy Cardstock	106–169 g/m ²

Trays	Paper Types	Weights
	Cardstock Cardstock Reloaded Glossy Cardstock Glossy Cardstock Reloaded	170–256 g/m ²
	Heavyweight Cardstock Heavyweight Cardstock Reloaded Heavyweight Glossy Cardstock Heavyweight Glossy Cardstock Reloaded	257–280 g/m ²
Envelope Tray	Envelopes	75–90 g/m ²

**Note:**

- Reloaded paper is paper that was previously printed or copied on the printer. Use reloaded media for manual 2-sided printing of media types that cannot be used for automatic 2-sided printing.
- Pre-cut tabs are not supported.

Supported Standard Paper Sizes

Tray Number	European Standard Sizes	North American Standard Sizes
Trays 1 and 2 Trays 3 and 4 of the 3-Tray Module	A5 (148 x 210 mm, 5.8 x 8.3 in.) A4 (210 x 297 mm, 8.3 x 11.7 in.) A3 (297 x 420 mm, 11.7 x 16.5 in.) B5 (176x250 mm, 6.9 x 9.8 in.) B4 (250 x 353mm, 9.8 x 13.9 in.) JIS B5 (182 x 257 mm, 7.2 x 10.1 in.) JIS B4 (257 x 364 mm, 10.1 x 14.3 in.)	Statement (140x216 mm, 5.5 x 8.5 in.) Executive (184 x 267 mm, 7.25 x 10.5 in.) Letter (216 x 279 mm, 8.5 x 11 in.) US Folio (216 x 330 mm, 8.5 x 13 in.) Legal (216 x 356 mm, 8.5 x 14 in.) Tabloid (279 x 432 mm, 11 x 17 in.)
Tray 2 Trays 3 and 4 of the 3-Tray Module	SRA3 (320 x 450 mm, 12.6 x 17.7in.)	12 x 18 (305 x 457 mm, 12 x 18 in.)
Trays 3 and 4 of the Tandem Tray Module	A4 (210 x 297 mm, 8.3 x 11.7 in.)	Letter (216 x 279 mm, 8.5 x 11 in.)

Tray Number	European Standard Sizes	North American Standard Sizes
	JIS B5 (182 x 257 mm, 7.2 x 10.1 in.)	Executive (184 x 267 mm, 7.25 x 10.5 in.)
Tray 5	A6 (105 x 148 mm, 4.1 x 5.8 in.) A5 (148 x 210 mm, 5.8 x 8.3 in.) A4 (210 x 297 mm, 8.3 x 11.7 in.) A4 Oversized (223 x 297 mm, 8.8x11.7 in.) 215 x 315 (215 x 315 mm, 8.5x12.4 in.) A3 (297 x 420 mm, 11.7 x 16.5 in.) B6 (125x176 mm, 4.9 x 6.9 in.) B5 (176x250 mm, 6.9 x 9.8 in.) B4 (250 x 353 mm, 9.8 x 13.9 in.) JIS B5 (182 x 257 mm, 7.2 x 10.1 in.) JIS B4 (257 x 364 mm, 10.1 x 14.3 in.) SRA3 (320 x 450 mm, 12.6 x 17.7 in.) DL envelope (110x220 mm, 4.33x8.66 in.) C6 envelope (114 x 162 mm, 4.5x6.38 in.) C5 envelope (162 x 229 mm, 6.4x9 in.) C4 envelope (229 x 324 mm, 9x12.8 in.)	Postcard (89 x 140 mm, 3.5 x 5.5in.) Postcard (102 x 152 mm, 4 x 6 in.) 5 x 7 (127 x 178 mm, 5 x 7 in.) Statement (140x216 mm, 5.5 x 8.5 in.) Executive (184 x 267 mm, 7.25 x 10.5 in.) 8 x 10 (203 x 254 mm, 8 x 10 in.) Letter (216 x 279 mm, 8.5 x 11 in.) 9 x 11 (229 x 279 mm, 9 x 11 in.) US Folio (216 x 330 mm, 8.5 x 13 in.) 8.5 x 13.4 (216 x 340 mm, 8.5 x 13.4 in.) Legal (216 x 356 mm, 8.5 x 14 in.) Tabloid (279 x 432 mm, 11 x 17 in.) 12 x 18 (305 x 457 mm, 12 x 18 in.) 12 x 19 (305 x 483 mm, 12 x 19 in.) Envelope (152 x 228 mm, 6 x 9 in.) Envelope (228 x 305 mm, 9 x 12 in.) Monarch envelope (98 x 190 mm, 3.9x7.5 in.) No. 9 envelope (98 x 225 mm, 3.9 x 8.9 in.) No. 10 envelope (105 x 241 mm, 4.1x9.5 in.)
Tray 6	A4 (210 x 297 mm, 8.3 x 11.7 in.) JIS B5 (182 x 257 mm, 7.2 x 10.1 in.)	Letter (216 x 279 mm, 8.5 x 11 in.) Executive (184 x 267 mm, 7.25 x 10.5 in.)


Supported Paper Sizes and Weights for Automatic 2-Sided Printing

European Standard Sizes	North American Standard Sizes
A5 (148 x 210 mm, 5.8 x 8.3 in.)	Statement (140x216 mm, 5.5 x 8.5 in.)
A4 (210 x 297 mm, 8.3 x 11.7 in.)	Executive (184 x 267 mm, 7.25 x 10.5 in.)
A3 (297 x 420 mm, 11.7 x 16.5 in.)	Letter (216 x 279 mm, 8.5 x 11 in.)
JIS B5 (182 x 257 mm, 7.2 x 10.1 in.)	US Folio (216 x 330 mm, 8.5 x 13 in.)
JIS B4 (257 x 364 mm, 10.1 x 14.3 in.)	Legal (216 x 356 mm, 8.5 x 14 in.)
	Tabloid (279 x 432 mm, 11 x 17 in.)

In addition to the standard sizes, you can use custom-size paper within the following ranges for 2-sided printing:

- Minimum size 128 x 140 mm (5 x 5.5 in.)
- Maximum size 320 x 483 mm (12.6 x 19 in.)

Paper weights from 60 g/m² through 220 g/m² are supported for automatic 2-sided printing.

 **Note:** Do not use transparencies, envelopes, labels, or reloaded paper for automatic 2-sided printing.

Supported Paper Sizes for the Envelope Tray

European Standard Sizes	North American Standard Sizes
DL (110 x 220 mm, 4.33 x 8.66 in.)	Envelope (152 x 228 mm, 6 x 9 in.)
C6 (114 x 162 mm, 4.5 x 6.38 in.)	Monarch (98 x 190 mm, 3.9 x 7.5 in.)
C5 (162 x 229 mm, 6.4 x 9 in.)	No. 9 (98 x 225 mm, 3.9 x 8.9 in.)
	No. 10 (105 x 241 mm, 4.1 x 9.5 in.)

Supported Custom Paper Sizes

Tray Number	Paper Sizes
Tray 1	Minimum: 140 x 182 mm (5.5 x 7.5 in.) Maximum: 297 x 432 mm (11.7 x 17 in.)
Tray 2 Trays 3 and 4 of the 3-Tray Module	Minimum: 140 x 182 mm (5.5 x 7.5 in.) Maximum: 320 x 457 mm (12.5 x 18 in.)

Tray Number	Paper Sizes
Trays 3 and 4 of the TandemTray Module	Standard sizes only: A4 (210 x 297 mm, 8.3 x 11.7 in.) Letter (216 x 279 mm, 8.5 x 11 in.) JIS B5 (182 x 257 mm, 7.2 x 10.1 in.) Executive (184 x 267 mm, 7.25 x 10.5 in.)
Tray 5	Minimum: 89 x 98 mm (3.5 x 3.9 in.) Maximum: 320 x 483 mm (12.6 x 19 in.)
Tray 6	Standard sizes only: A4 (210 x 297 mm, 8.3 x 11.7 in.) Letter (216 x 279 mm, 8.5 x 11 in.) JIS B5 (182 x 257 mm, 7.2 x 10.1 in.) Executive (184 x 267 mm, 7.25 x 10.5 in.)
Envelope Tray	Minimum: 98 x 148 mm (3.9 x 5.8 in.) Maximum: 162 x 241 mm (6.4 x 9.5 in.)

Paper Tray Settings

Configuring Tray Settings

The system administrator can set trays to Fully Adjustable or Dedicated mode. When a paper tray is set to Fully Adjustable mode, you can change paper settings each time that you load the tray. When a paper tray is set to Dedicated mode, the control panel prompts you to load a specific paper size, type and color.

To configure the tray settings:

1. At the printer control panel, touch **Device**.
2. Touch **Tools**, then touch **Device Settings****Paper Management**.
3. Touch **Tray Settings**, then select a tray.
 - To set the mode, touch **Fully Adjustable** or **Dedicated**.
 - To specify the paper settings for a dedicated tray, touch **Edit**, then set the paper size, type, and color. Touch **OK**.
 - To configure the printer to select the tray automatically, for Auto Selection, touch **Enabled**.
 - To set the priority for each tray, touch the number field. To enter a number, use the alphanumeric keypad, or touch the plus icon (+) or the minus icon (-). The printer uses paper from the Priority 1 tray first. If that tray is empty, the printer uses paper from the Priority 2 tray.
4. Touch **OK**.
5. To close Tray Settings, touch **X**.
6. To close Tools, touch **X**.



Note: To access the Paper Management menu, log in as the system administrator. For details, refer to the *System Administrator Guide* at www.xerox.com/support/ALC80XXdocs.

Changing Paper Size, Type, and Color

When a paper tray is set to Fully Adjustable mode, you can change paper settings each time that you load the tray. When you close the tray, the control panel prompts you to set the paper size, type, and color of paper loaded.

When a paper tray is set to Dedicated mode, the control panel prompts you to load a specific paper size, type, and color. If you move the guides to load a different paper size, the control panel displays an error message.

To configure the tray settings for Fully Adjustable or Dedicated mode, refer to [Configuring Tray Settings](#).

To set the paper size, type, or color when a tray is set to Fully Adjustable:

1. Open the paper tray, then load the required paper.
2. Close the tray.

3. At the control panel, select the correct paper size, type, and color:
 - To select a new paper size, touch **Size**.
 - To select a new paper type, touch **Type**.
 - To select a new paper color, touch **Color**.
4. To confirm the settings, touch **Confirm**.


To set the paper size, type, or color when a tray is set to Dedicated, refer to [Configuring Tray Settings](#).

Loading Paper

Loading Paper in Trays 1–4

The system administrator can set Trays 1–4 to Fully Adjustable or Dedicated mode. Each time a tray is opened and closed, the paper settings appear on the control panel:

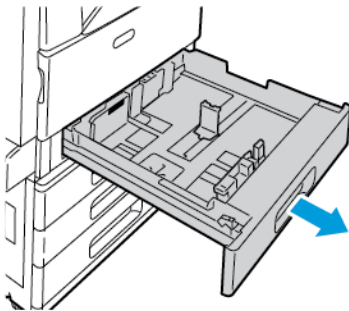
- The Fully Adjustable mode allows you to confirm or change the media settings. The tray guides detect automatically the size of paper loaded.
- The Dedicated mode displays the media settings for the tray. A warning message appears on the control panel when the wrong media is loaded, and the tray guides are set incorrectly.

 **Note:** Only the system administrator can change the media settings for a Dedicated tray.

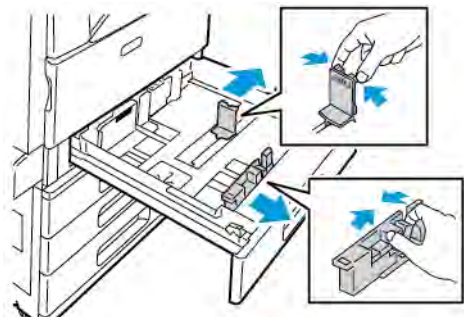
A warning message appears on the control panel when the paper in the tray is in short supply, and when a tray is empty.

To load Trays 3 and 4 of the Tandem Tray Module, refer to [Loading Paper in Trays 3 and 4 of the Tandem Tray](#).

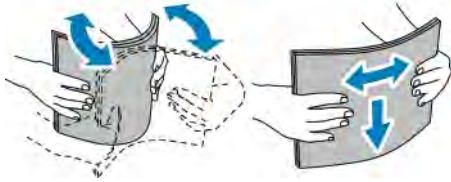
1. Pull out the tray until it stops.




2. Ensure that the paper-guide locks are set in the correct position for the standard or custom-size paper that you are loading. For details, refer to [Adjusting the Paper Guides in the 520-Sheet Adjustable Trays](#).
3. Remove any paper that is a different size or type.
4. To move out the length and width guides:
 - a. Pinch the guide lever on each guide.
 - b. Slide the guides outward until they stop.
 - c. Release the levers.

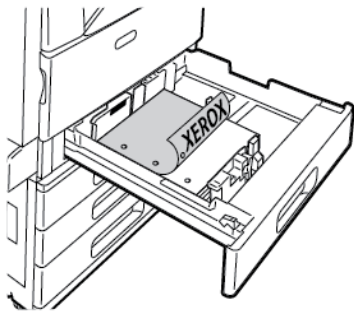


- Flex the sheets back and forth and fan them, then align the edges of the stack on a level surface. This procedure separates any sheets that are stuck together and reduces the possibility of jams.

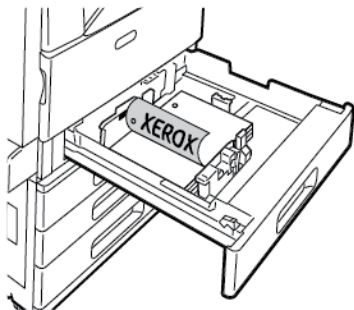



 **Note:** To avoid jams and misfeeds, do not remove paper from its packaging until you are ready to use it.

- Load paper in the tray. Position the paper against the left side of the tray.
 - For long-edge feed, insert letterhead and pre-printed paper face down with the top edge toward the front of the tray. Load hole-punched paper with the holes to the left.

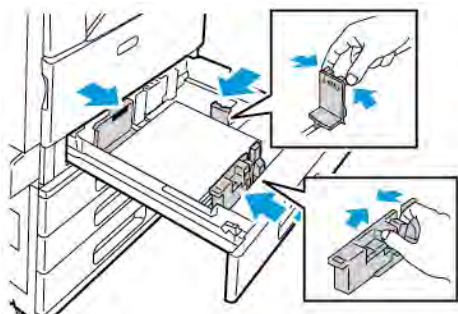


- For short-edge feed, insert letterhead and pre-printed paper face down with the top edge to the left. Load hole-punched paper with the holes toward the rear of the printer.



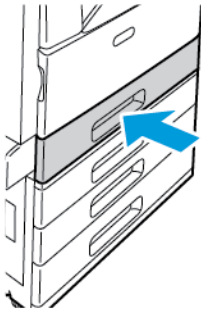
 **Note:** Do not load paper above the maximum fill line. Overfilling the tray can cause the printer to jam.

- Adjust the length and width guides until they touch the edges of the paper.




Paper and Media


8. Close the tray.



9. At the control panel, if a prompt appears, select the correct paper size, type, and color.
 - To select a new paper size, touch **Size**.
 - To select a new paper type, touch **Type**. For letterhead paper, select **Letterhead**. For pre-printed paper, select **Pre-Printed**. For hole-punched paper, select **Hole Punched**.
 - To select a new paper color, touch **Color**.

 **Note:** If a prompt does not appear, and you have changed the paper size, type, or color, update the Required Paper Policies. For details, refer to the *System Administrator Guide* at www.xerox.com/support/ALC80XXdocs.

10. To confirm the settings, touch **Confirm**.

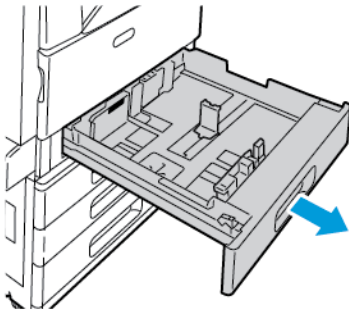
 **Note:** To change the paper settings when the tray is set to Dedicated mode, refer to [Configuring Tray Settings](#).

Adjusting the Paper Guides in the 520-Sheet Adjustable Trays

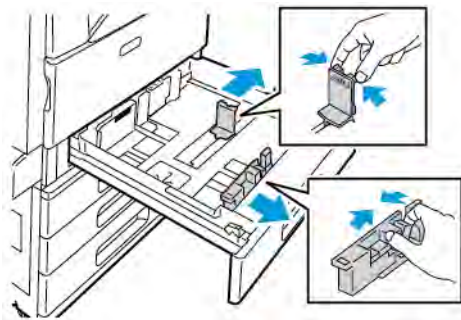
You can adjust the paper guides in Trays 1–4 to accommodate standard or custom paper sizes. In the standard position, the guides move into the supported standard paper settings. In the custom position, the guides move in 1-mm (0.04 in.) increments.

To move the paper guides from the standard to the custom paper-size position:

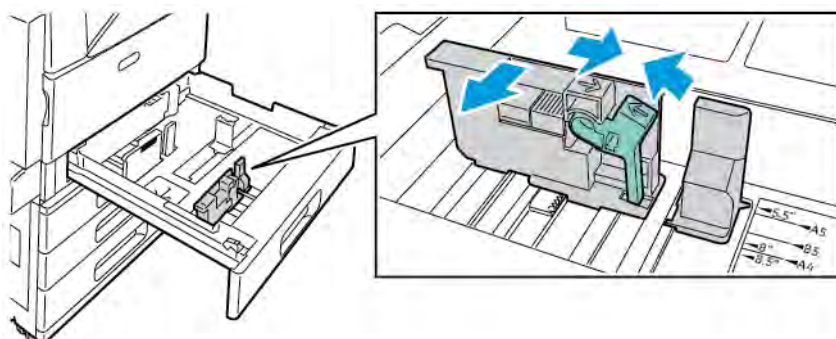
1. Pull out the tray until it stops.



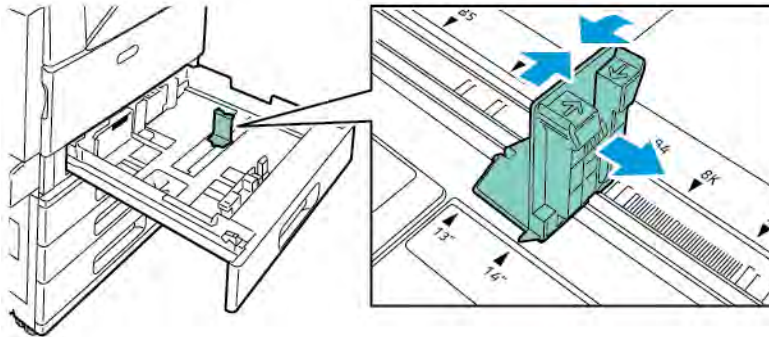
2. Remove any paper from the tray, pinch the guide levers, and move the guides outward until they stop.



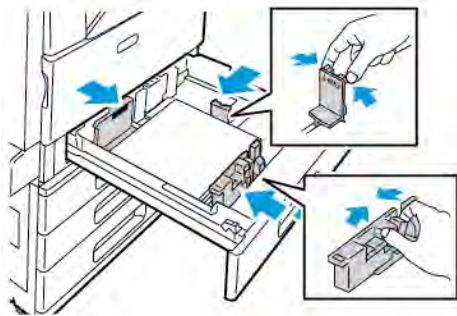
3. To move out the paper-length guide, pinch the guide lever and slide the guide outward.



4. To move out the paper-width guide, pinch the guide lever and slide the guide outward.



5. Load the custom-size paper in the tray.
6. To engage the fine-adjustment block, pinch the levers and slide the guides inward. The tray guides move in increments of 1mm.



Loading Paper in Trays 3 and 4 of the Tandem Tray


The Tandem Tray Module holds larger amounts of paper for fewer printing interruptions. It contains three trays. Tray 2 holds paper sizes up to SRA3/12 x 18 in. Trays 3 and 4 hold A4-size (210 x 297 mm), Letter-size (8.5 x 11 in.), JIS B5-size (182 x 257 mm), or Executive-size (7.25 x 10.5 in.) paper only.

The control panel displays a warning message when the paper in the tray is in short supply, or when a tray is empty.

To change the paper size, refer to [Configuring Trays 3 and 4 of the Tandem Tray Module](#).

To load Tray 2, refer to [Loading Paper in Trays 1–4](#).

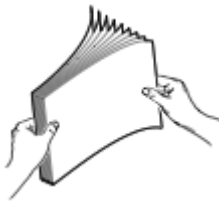
1. Pull Tray 3 or Tray 4 out until it stops. Wait for the tray to lower and stop.
2. The control panel displays the paper tray settings. Ensure that you load the correct paper type.

 **Note:** Do not load custom-size paper into Tray 3 or Tray 4 of the Tandem Tray Module.

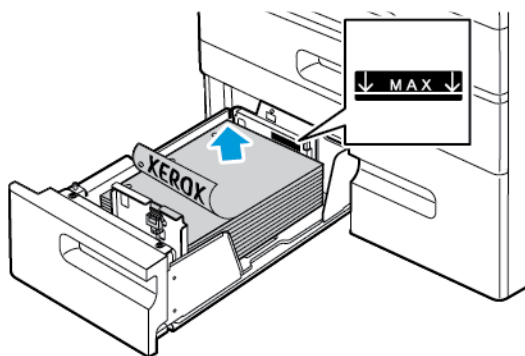
- Fan the edges of the paper before loading it into the paper trays. This procedure separates any sheets of paper that are stuck together and reduces the possibility of paper jams.



Note: To avoid paper jams and misfeeds, do not remove paper from its packaging until necessary.



- Stack the paper against the left rear corner of the tray as shown.
 - Insert letterhead and pre-printed paper face down with the top edge toward the front of the tray.
 - Load hole-punched paper with the holes to the left.



Note: Do not load paper above the maximum fill line. Overfilling the tray can cause the printer to jam.

- Close the tray.

Loading Paper in Tray 5

Tray 5 supports the widest variety of media types. You can use the tray for small-quantity jobs that use special paper, such as labels, transparencies, and envelopes. The tray extension provides support for larger paper sizes.



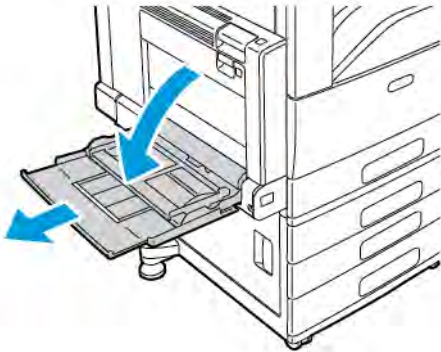
Note:

- Use Tray 5 to load heavyweight paper types (257-280 g/m²).
- For faster print speeds, load paper 320 mm (12.6 in.) or shorter with the long edge going into the printer.
- Load paper longer than 320 mm (12.6 in.) with the short edge going into the printer.
- To load labels, refer to [Loading Labels in Tray 5](#).

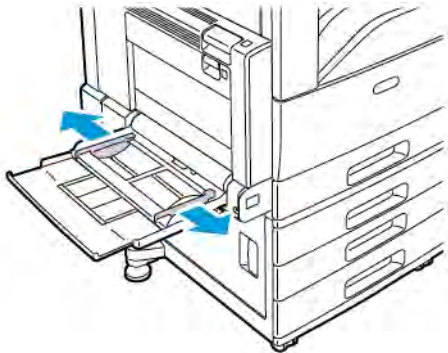
Paper and Media

- To load transparencies, refer to [Guidelines for Printing on Transparencies](#).

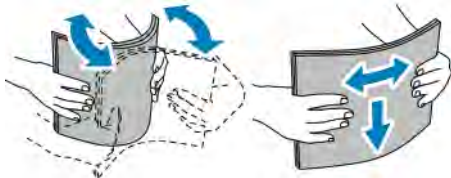
1. Open Tray 5, then for larger paper sizes, pull out the extension tray. If Tray 5 is already open, remove any paper that is a different size or type.



2. Move the width guides to the edges of the tray.

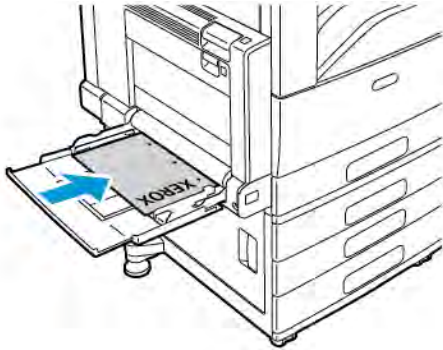


3. Flex the sheets back and forth and fan them, then align the edges of the stack on a level surface. This procedure separates any sheets that are stuck together and reduces the possibility of jams.

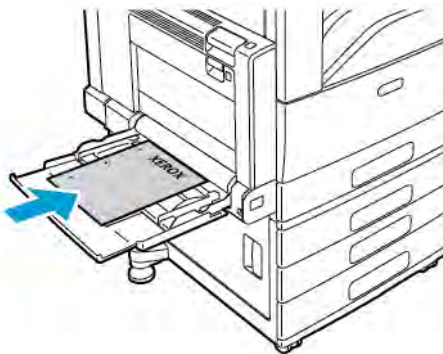


Note: To avoid jams and misfeeds, do not remove paper from its packaging until you are ready to use it.

4. Load the paper in the tray.
 - For long-edge feed, insert letterhead and pre-printed paper face up with the top edge toward the front of the tray. Load hole-punched paper with the holes leading into the printer.

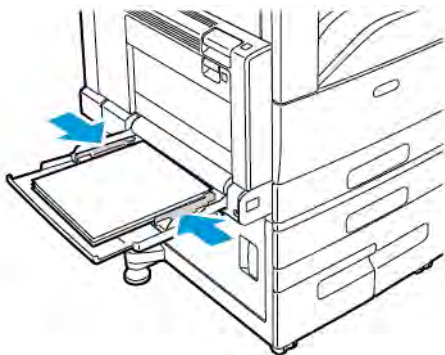


- For short-edge feed, insert letterhead and pre-printed paper face up with the top edge leading into the printer. Load hole-punched paper with the holes toward the rear of the printer.



Note: Do not load paper above the maximum fill line. Overfilling the tray can cause the printer to jam.

5. Adjust the width guides until they touch the edges of the paper.



6. At the control panel, select the correct paper size, type, and color:
 - To select a new paper size, touch **Size**.
 - To select a new paper type, touch **Type**. For letterhead paper, touch **Letterhead**. For pre-printed paper, touch **Pre-Printed**. For hole-punched paper, touch **Hole Punched**.
 - To select a new paper color, touch **Color**.
7. To confirm the settings, touch **Confirm**.

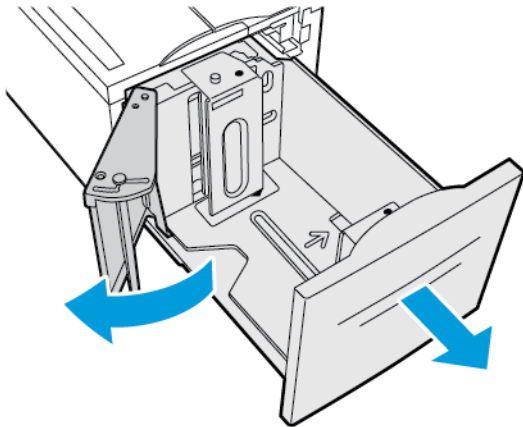
Loading Paper in Tray 6

Tray 6 is an optional high-capacity, dedicated paper tray. It is on the left side of the printer. The tray feeds A4 (210 x 297 mm), Letter (8.5 x 11 in.), JIS B5 (182 x 257 mm), or Executive (7.25 x 10.5 in.) paper. The tray capacity is 2000 sheets.


The control panel displays a warning message when the paper in the tray is in short supply, or when the tray is empty.

To change the paper size, refer to [Configuring Tray 6](#).


1. Pull out Tray 6 from the feeder until it stops.
2. Open the side gate until it stops.

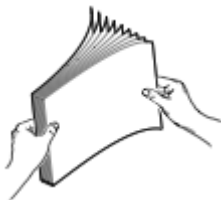


3. The control panel displays the paper settings. Ensure that you load the correct paper type in the tray.

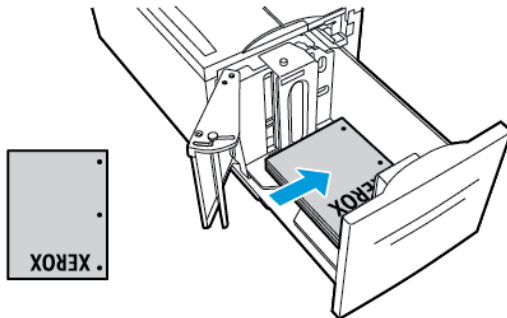
 **Note:** Do not load custom-size paper into Tray 6.

4. Fan the edges of the paper before loading it into the paper trays. This procedure separates any sheets of paper that are stuck together and reduces the possibility of paper jams.

 **Note:** To avoid paper jams and misfeeds, do not remove paper from its packaging until necessary.



5. Load the paper against the right side of the tray.
 - Insert letterhead and pre-printed paper face up with the top edge toward the front of the tray.
 - Load hole-punched paper with the holes toward the right side of the tray.



Note: Do not load paper above the maximum fill line. Overfilling can cause paper jams.

6. Close the tray.

Printing on Special Paper

To order paper, transparencies, or other media, contact your local reseller or go to www.xerox.com/supplies.

For reference:

www.xerox.com/rmlna : Recommended Media List (United States)

www.xerox.com/rmleu : Recommended Media List (Europe)

Envelopes

You can print envelopes from Tray 5. When the optional Envelope Tray is installed, you can print envelopes from Tray 1.

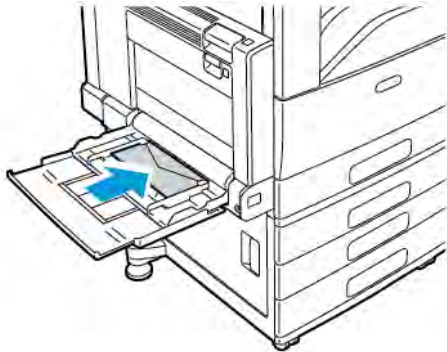
Guidelines for Printing Envelopes

- Use only paper envelopes.
- Do not use envelopes with windows or metal clasps.
- Print quality depends on the quality and construction of the envelopes. If you do not get the desired results, try another envelope brand.
- Maintain constant temperatures and relative humidity.
- Store unused envelopes in their packaging to avoid excess moisture and dryness which can affect print quality and cause wrinkling. Excessive moisture can cause the envelopes to seal before or during printing.
- Remove air bubbles from the envelopes before loading them into the tray by setting a heavy book on top of the envelopes.
- In the print driver software, select Envelope as the paper type.
- Do not use padded envelopes. Use envelopes that lie flat on a surface.
- Do not use envelopes with heat-activated glue.
- Do not use envelopes with press-and-seal flaps.

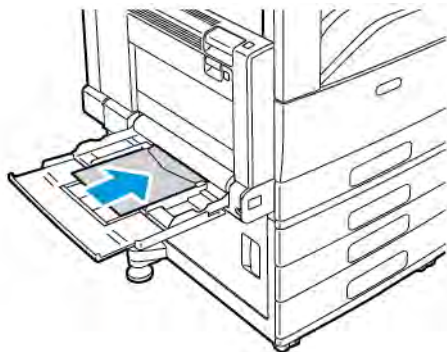
Loading Envelopes in Tray 5

1. Open Tray 5. Remove any paper or envelopes that are a different size or type.
2. Move the width guides to the edges of the tray.


3. Load envelopes in the tray.
 - For envelopes with the flap on a long edge, load envelopes with the flaps closed, flaps up, and flaps on the leading edge, toward the right.



- For envelopes with the flap on a short edge, load envelopes with the flaps closed, flaps up, and flaps on the leading edge, toward the right.



4. Center the stack of envelopes. Adjust the guides so that they touch the edges of the envelopes.
5. At the control panel, select the correct paper size, type, and color.
 - To select an envelope size, touch **Size**. To specify a custom envelope size, touch **Custom**, then specify the dimensions of the envelope.
 - For a custom envelope size, touch **Type**, then touch **Envelope**.
 - To select a new envelope color, touch **Color**.

 **Note:** When you select an envelope size from the list, the paper type is set to Envelope.

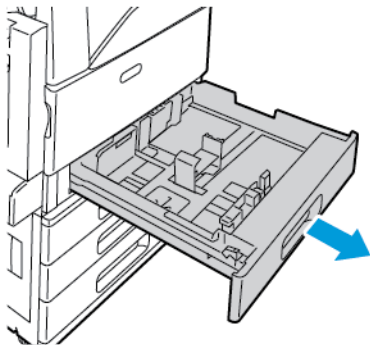
6. To confirm the settings, touch **Confirm**.

Loading the Envelope Tray

You can use the optional Envelope Tray in place of Tray 1. The Envelope Tray holds the following envelope sizes:

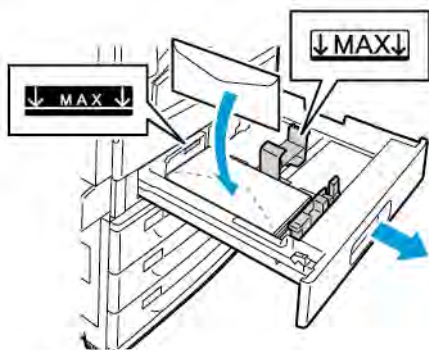
- Envelope 6 x 9, Monarch, No. 9, and No.10
- DL, C5, and C6

1. Pull out the Envelope Tray until it stops.

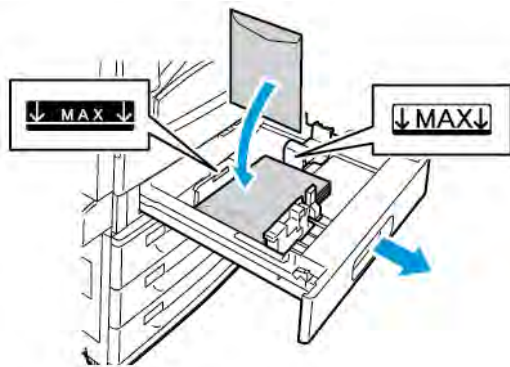


2. Load envelopes in the tray.

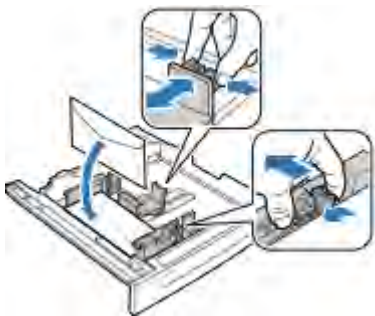
- For envelopes with the flap on a long edge, load envelopes with the flaps closed, flap-side down, and the flaps on the left side of the tray.



- For envelopes with the flap on a short edge, load envelopes with the flaps closed, flap-side down, and the flaps on the left side of the tray.



- Adjust the paper guides so that they rest lightly against the edges of the envelopes.



- Ensure that the envelope stack height is less than 43 mm (1.7 in.) or that there are no more than 60 envelopes loaded in the tray.
- Close the tray.
- At the control panel, if a prompt appears, select the correct envelope size and color.
 - To select a new envelope size, touch **Size**.
 - To select a new envelope color, touch **Color**.



Note:

- If a prompt does not appear and you have changed the envelope size or color, update the Required Paper Policies. For details, refer to the *System Administrator Guide* at www.xerox.com/support/ALC80XXdocs.
 - When the Envelope Tray is installed, the paper type is set to **Envelope**.
- To confirm the settings, touch **Confirm**.

Labels

You can print labels from any tray.

Guidelines for Printing Labels

- Use labels designed for laser printing.
- Do not use vinyl labels.
- Do not feed a sheet of labels through the printer more than once.
- Do not use dry gum labels.
- Print only on one side of the sheet of labels. Use full sheet labels only.
- Store unused labels flat in their original packaging. Leave the sheets of labels inside the original packaging until ready to use. Return any unused sheets of labels to the original packaging and reseal it.
- Do not store labels in extremely dry or humid conditions or extremely hot or cold conditions. Storing them in extreme conditions can cause print-quality problems or cause them to jam in the printer.
- Rotate stock frequently. Long periods of storage in extreme conditions can cause labels to curl and jam in the printer.
- In the print driver software, select Label as the paper type.

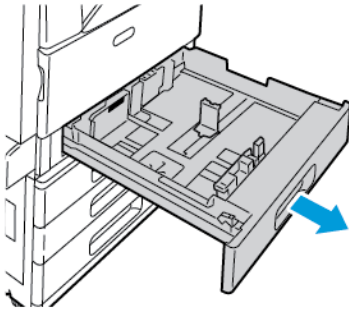
Paper and Media

- Before loading labels, remove all other paper from the tray.


! **Caution:** Do not use any sheet where labels are missing, curled, or pulled away from the backing sheet. It could damage the printer.

Loading Labels in Trays 1–4

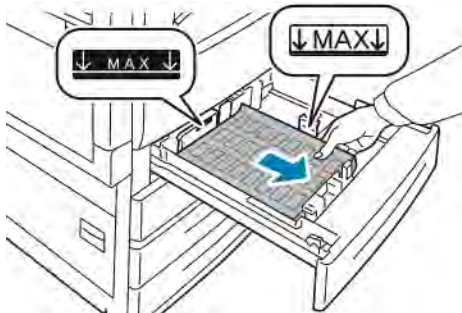
1. Pull out the tray until it stops.



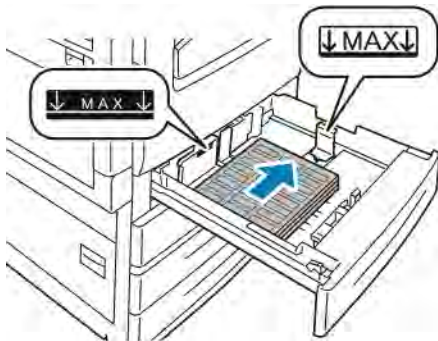
2. Remove any paper that is a different size or type.
3. Ensure that the guide locks are set in the correct position for the size labels that you are loading. For details, refer to [Adjusting the Paper Guides in the 520-Sheet Adjustable Trays](#).

 **Note:** Trays 1–4 can print labels 106–169g/m².

4. Load labels in the tray.
 - For long-edge feed, load labels face up, with the top edge toward the front of the tray.




- For short-edge feed, load labels face up, with the top edge toward the right of the tray.



5. Close the tray.

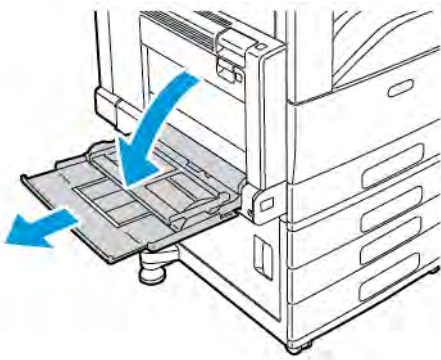
- At the control panel, if a prompt appears, select the correct paper size, type, and color.
 - Ensure that the paper type is set to **Labels**. To select a new paper type, touch **Type**.
 - To select a new paper size, touch **Size**.
 - To select a new paper color, touch **Color**.

 **Note:** If a prompt does not appear, and you have changed the paper size, type, or color, update the Required Paper Policies. For details, refer to the *System Administrator Guide* at www.xerox.com/support/ALC80XXdocs.

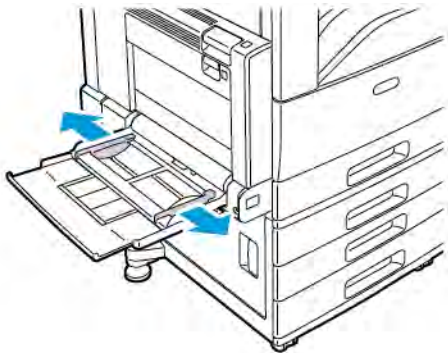
- To confirm the paper settings, touch **Confirm**.

Loading Labels in Tray 5

- Open Tray 5, then for larger sizes, pull out the extension tray. If Tray 5 is already open, remove any paper that is a different size or type.



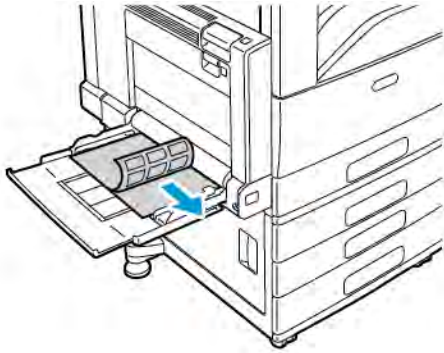
- Move the width guides to the edges of the tray.



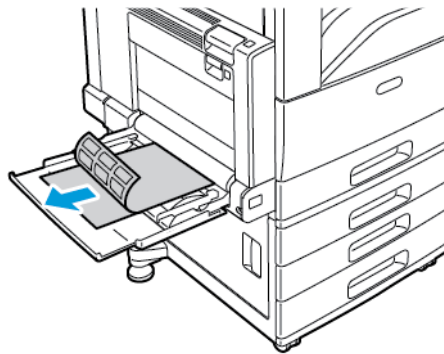
Paper and Media

3. Load the labels in the tray:

- For long-edge feed, load labels face down with the top edge toward the front of the tray.



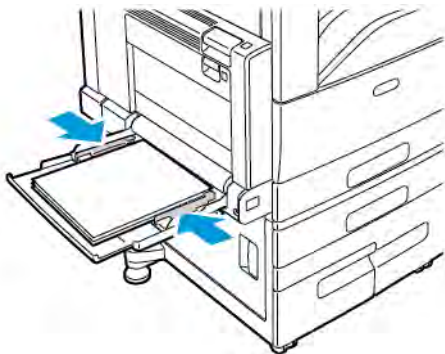
- For short-edge feed, load labels face down with the top edge to the left.



Note:

- Do not load paper above the maximum fill line. Overfilling the tray can cause the printer to jam.
- Do not print on label media after a label has been removed from a sheet.
- To avoid jams and misfeeds, do not remove paper from its packaging until you are ready to use it.


4. Adjust the width guides until they touch the edges of the paper.



5. At the control panel, select the correct paper size, type, and color:
 - Ensure that the paper type is set to **Labels**. To select a new paper type, touch **Type**.
 - To select a new paper size, touch **Size**.
 - To select a new paper color, touch **Color**.
6. To confirm the paper settings, touch **Confirm**.

Glossy Media

You can print glossy paper, up to 256 g/m², from any tray. You can print heavyweight glossy paper from Tray 5 only.

 **Note:** For best results, load Glossy Cardstock, and Glossy Cardstock Reloaded paper into Tray 5.

Guidelines for Printing on Glossy Paper

- Do not open sealed packages of glossy paper until you are ready to load them into the printer.
- Leave glossy paper in the original wrapper, and leave the packages in the shipping carton until ready to use.
- Remove all other paper from the tray before loading glossy paper.
- Load only the amount of glossy paper that you are planning to use. Do not leave glossy paper in the tray when you are finished printing. Reinsert unused paper in the original wrapper and seal.
- Rotate paper frequently. Long periods of storage in extreme conditions can cause glossy paper to curl and jam in the printer.
- In the print driver software, select the desired glossy paper type or select the tray loaded with the desired paper.

Loading Gloss Paper in Tray 5

1. Before you load glossy paper, remove all other paper from the tray.
2. Load only the amount of paper you plan to use.
3. Load the paper with the glossy side or print side down.
4. At the control panel, select the correct paper size, type, and color:
 - Ensure that the paper type is set to **Glossy**. To select a new paper type, touch **Type**.
 - To select a new paper size, touch **Size**.
 - To select a new paper color, touch **Color**.
5. To confirm the settings, touch **Confirm**.

Transparencies

Transparencies can be printed from trays 1–5. For best results, use only recommended Xerox® transparencies.

 **Caution:** The Xerox Warranty, Service Agreement, or Xerox Total Satisfaction Guarantee does not cover damage caused by using unsupported paper or specialty media. The Xerox Total Satisfaction Guarantee is available in the United States and Canada. Coverage could vary outside these areas. Please contact your local representative for details.

Guidelines for Printing on Transparencies

- Before you load transparencies in the tray, remove all paper.
- Handle transparencies by the edges using both hands. Fingerprints or creases can cause poor print quality.
- Do not load more than 20 transparencies. Overloading the tray can cause the printer to jam.
- For clear or non-strip transparencies:
 - Load transparencies face up into Trays 1–4.
 - Load transparencies face down into Tray 5.
- For striped transparencies:
 - Load transparencies into Trays 1–4 with the strip face down on the right trailing edge.
 - Load transparencies into Tray 5 with the strip face up on the left trailing edge.
- Do not fan transparencies.
- After you load transparencies, on the control panel, change the paper type to **Transparency**.
- In the print driver software, for the paper type, select **Transparency**.

Maintenance

This chapter contains:

- General Precautions 200
- Cleaning the Printer 201
- Supplies 209
- Managing the Printer 242
- Moving the Printer 243

General Precautions



WARNING:

- Internal parts of the printer can be hot. Use caution when doors and covers are open.
- Keep all cleaning materials out of the reach of children.
- Do not use pressurized spray cleaning aids on or in the printer. Some pressurized sprays contain explosive mixtures and are not suitable for use in electrical applications. Use of pressurized spray cleaners increases the risk of fire and explosion.
- Do not remove the covers or guards that are fastened with screws. You cannot maintain or service any parts that are behind these covers and guards. Do not attempt any maintenance procedure that is not described in the documentation supplied with your printer.



Caution:

- When cleaning your printer do not use organic or strong chemical solvents or aerosol cleaners. Do not pour fluids directly into any area. Use supplies and cleaning materials only as directed in this documentation.
- Do not place anything on top of the printer.
- Do not leave the covers and doors open for any length of time, especially in well-lighted places. Light exposure can damage the drum cartridges.
- Do not open covers and doors during printing.
- Do not tilt the printer while it is in use.
- Do not touch the electrical contacts or gears. Doing so could damage the printer and cause the print quality to deteriorate.
- Ensure that any parts removed during cleaning are replaced before you plug in the printer.

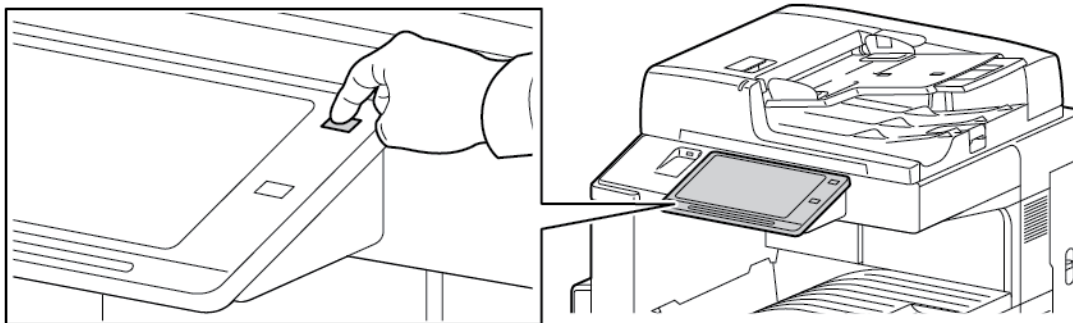
Cleaning the Printer

Cleaning the Printer Exterior

Regular cleaning keeps the touch screen and control panel free from dust and dirt.

To clean the printer exterior:

1. To avoid activating buttons and menus when cleaning the printer, press the **Power/Wake** button, then touch **Sleep**.



2. To remove fingerprints and smudges, clean the touch screen and control panel with a soft, lint-free cloth.



3. To return the printer to Ready mode, press the **Power/Wake** button.
4. Use a soft, lint-free cloth to clean the outside of the output tray, paper trays, and other exterior areas of your printer.



Cleaning the Scanner

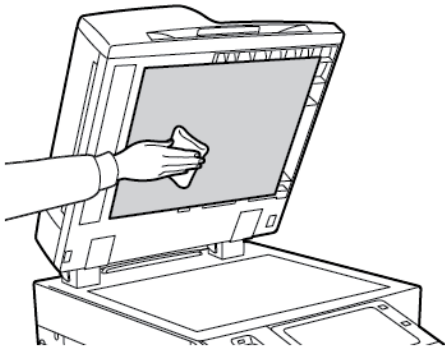
To ensure optimum print quality, clean the document glass regularly. Cleaning helps avoid output with streaks, smears, and other marks that transfer from the glass while scanning documents.

1. Slightly dampen a soft, lint-free cloth with water.
2. Remove any paper or other media from the output tray.
3. Open the document cover.
4. Wipe the surfaces of the document glass and CVT glass until they are clean and dry.

 **Note:** For best results, use Xerox® Glass Cleaner to remove marks and streaks.



5. Wipe the white underside of the document cover until it is clean and dry.

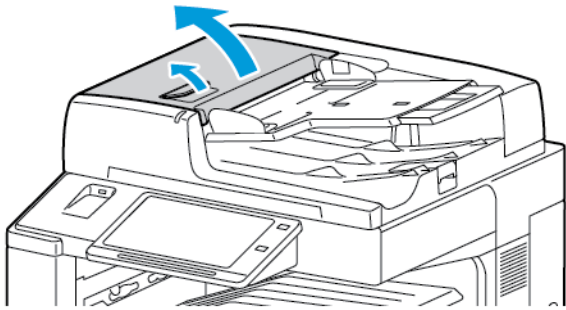


6. Close the document cover.


Cleaning the Document Feed Rollers

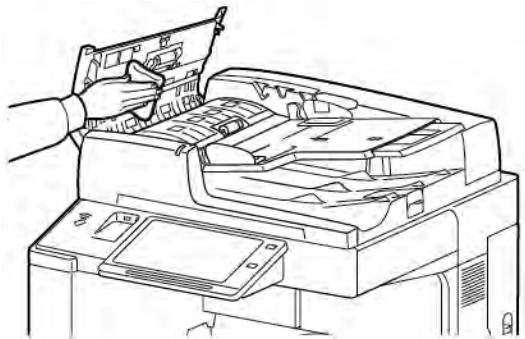
Dirt on the document feed rollers can cause paper jams or deteriorate print quality. For best performance, clean the document feed rollers once a month.

1. Lift the lever and open the top cover of the document feeder.



2. While turning the rollers, wipe them with a clean, lint-free cloth moistened with water.


 **Caution:** Do not use alcohol or chemical cleaners on the document feed rollers.



3. Close the document feeder top cover.

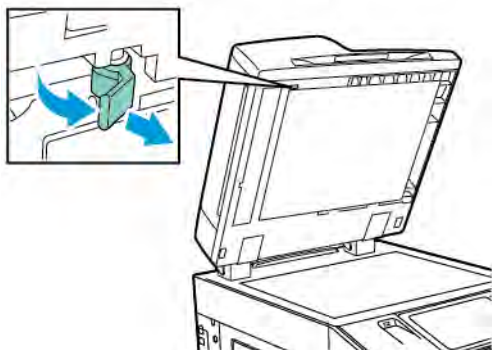
Cleaning the Second-Side Scanning Lens Assembly

The second-side scanning lens assembly allows you to make 2-sided scans and copies with a single pass of the original. The assembly is on the left side of the document cover and includes a mirrored glass strip, a metal strip, a white-plastic strip, and rollers.

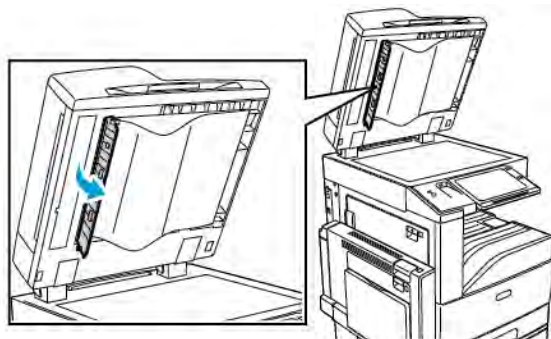
 **Note:** Xerox recommends that you clean all parts of the second-side scanning lens assembly regularly.

To clean the second-side scanning lens assembly:

1. To access the second-side scanning lens assembly, lower the lever under the left side of the document cover.

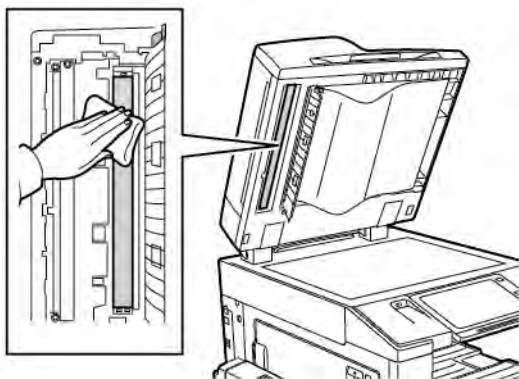


2. To separate the left end of the document cover from the lens assembly, continue to lower the lever.

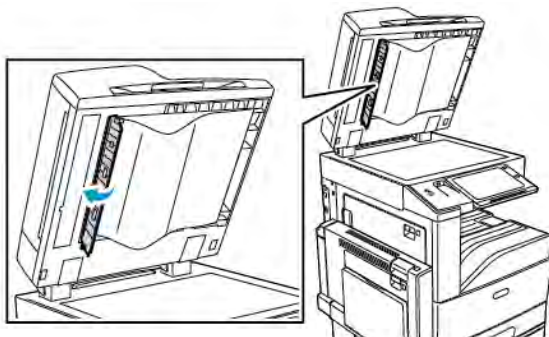


- Using a soft cloth moistened with water, wipe the mirrored glass, metal strip, both sides of the white-plastic strip, and the rollers. If dirt is difficult to remove, moisten a soft cloth with a small amount of neutral detergent. Then wipe the parts dry with a soft cloth.

! **Caution:** To prevent damage to the film around the glass, do not press heavily on the mirrored glass.




- Return the document cover to its original position, ensuring the lever is locked in place. If you touch the document cover with your bare hands, clean the cover before closing the document feeder.



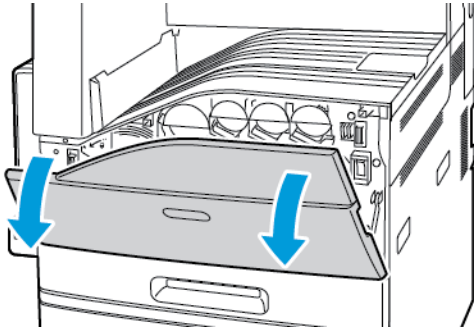
Cleaning the Printer Interior

Cleaning the Printhead Lenses

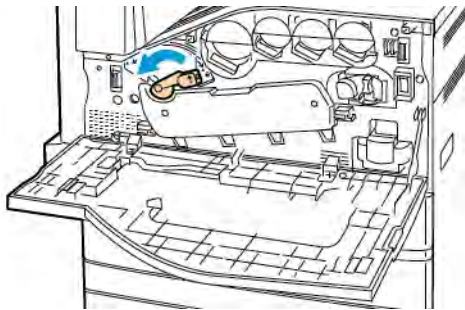
The printer is constructed with four printhead lenses. Clean all lenses as described in the following procedure.

 **Caution:** Do not perform this procedure when the printer is copying or printing.

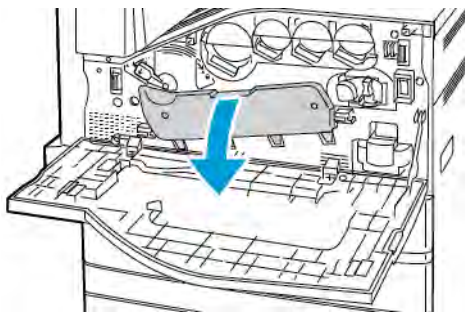
1. Open the front cover of the printer.




2. Turn the belt tension lever to the left.

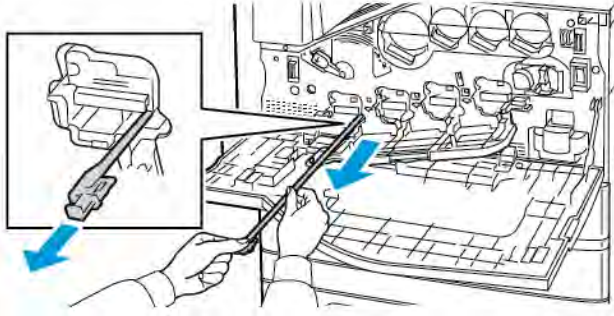


3. Pull the drum cartridge cover down until it clicks into the open position.

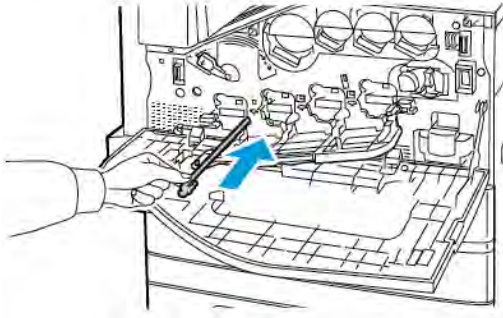


- Each of the four printheads has its own cleaning tool. Slowly pull out the LED printhead cleaner until the three dots are visible.

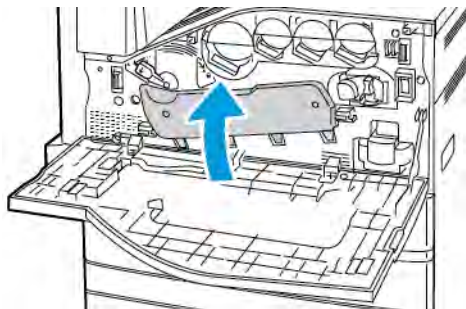
 **Note:** The LED printhead cleaner does not detach from the printer.



- Slowly push the LED printhead cleaner back into the printhead until it stops.

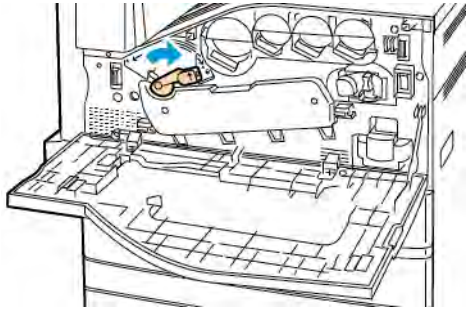


- Repeat Steps 4 and 5 for each printhead.
- Close the drum cartridge cover.



Maintenance

8. Turn the belt tension lever to the right to return it to the locked position.



9. Close the printer front cover.

Supplies

Consumables

Consumable supplies are printer supplies that become depleted during the operation of the printer. Consumable supplies for this printer include the following supplies:

- Genuine Xerox® Toner Cartridges in Cyan, Magenta, Yellow, and Black.
- Staple Cartridges and Staple Refills for the Optional Integrated Office Finisher.
- Staple Cartridges and Staple Refills for the Optional Office Finisher LX or the Office Finisher LX with Booklet Maker.
- Staple Cartridges and Staple Refills for the Optional Business Ready Finisher or the Business Ready Finisher with Booklet Maker.



Note:

- Each consumable includes installation instructions. To replace consumables, refer to the instructions included with the consumable supply.
- Only install new toner cartridges in your printer. If a used toner cartridge is installed, then the toner remaining amount displayed can be inaccurate.
- To ensure print quality, the toner cartridge is designed to cease functioning at a predetermined point.



Caution: Use of toner other than genuine Xerox® Toner can affect print quality and printer reliability. Xerox® Toner is the only toner designed and manufactured under strict quality controls by Xerox for specific use with this printer.

Routine Maintenance Items

Routine maintenance items are printer parts that have a limited life and require periodic replacement. Replacements can be parts or kits. Routine maintenance items are typically customer-replaceable parts.



Note: Each routine maintenance item includes installation instructions.

Routine maintenance items for this printer include the following:


- Waste Toner Container
- Drum Cartridges
- Transfer Belt Cleaner
- Second Bias Transfer Roller
- Fan Filter
- Hole-Punch Waste Container

Ordering Supplies

When to Order Supplies

A warning appears on the control panel when supplies near their replacement time. Verify that you have replacements on hand. It is important to order these items when the messages first appear to avoid interruptions to your printing. An error message appears on the control panel when supplies must be replaced.

Order supplies from your local reseller or go to www.xerox.com/supplies.

 **Caution:** Use of non-Xerox supplies is not recommended. The Xerox Warranty, Service Agreement, and Total Satisfaction Guarantee do not cover damage, malfunction, or degradation of performance caused by use of non-Xerox supplies, or the use of Xerox supplies not specified for this printer. The Total Satisfaction Guarantee is available in the United States and Canada. Coverage could vary outside these areas. Please contact your Xerox representative for details.

Supply Status

You can check the status and percentage of life remaining for your printer supplies at the control panel or from the Embedded Web Server. When printer supplies near their replacement time, warning alerts appear on the control panel.

You can customize the alerts that appear on the control panel and configure email alert notifications using the Embedded Web Server.

To check the supplies status and set up alerts using the Embedded Web Server, refer to the *System Administrator Guide* at www.xerox.com/support/ALC80XXdocs.

To check the supplies status at the control panel:

1. At the printer control panel, press the **Home** button.
2. To view status information for the printer supplies, touch **Device**→**Supplies**.
3. To view details about a specific toner cartridge, including the part number for reordering, touch **Cyan, Magenta, Yellow, or Black**.
4. To return to the Supplies screen, touch **X**.
5. To view more details, touch **Other Supplies**. Scroll through the list, then select an option.
6. To return to the Supplies screen, touch **X**.
7. To print the Supplies Report, touch **Print Supplies Report**.
8. To return to the Device screen, touch **X**.

Toner Cartridges

**WARNING:**

- When replacing a toner cartridge, be careful not to spill the toner. If any toner spills, avoid contact with clothes, skin, eyes, and mouth. Do not inhale the toner dust.
- Keep toner cartridges out of the reach of children. If a child accidentally swallows toner, have the child spit out the toner, and rinse out their mouth with water. Consult a physician immediately.




WARNING: Use a damp cloth to wipe off spilled toner. Never use a vacuum cleaner to remove spills. Electric sparks inside the vacuum cleaner can cause a fire or explosion. If you spill a large volume of toner, contact your local Xerox representative.




WARNING: Never throw a toner cartridge into an open flame. Remaining toner in the cartridge can catch fire and cause burn injuries or an explosion.

Replacing the Toner Cartridges

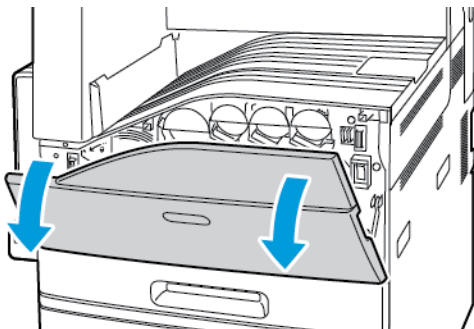
When it is time to replace a toner cartridge, the printer displays a message on the control panel.

 **Note:** Each toner cartridge includes installation instructions.

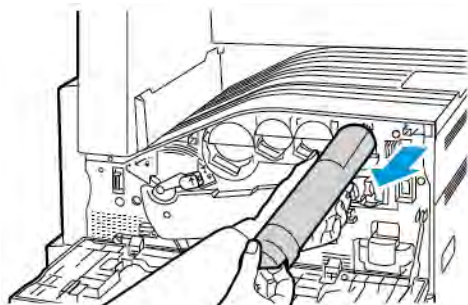
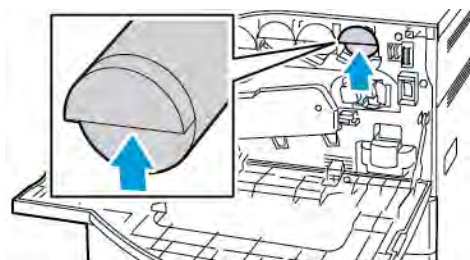
To replace a toner cartridge:

 **Caution:** Do not perform this procedure when the printer is copying or printing.

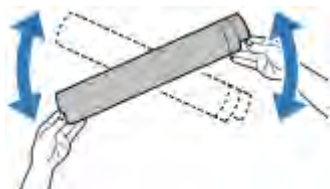
1. Open the front cover of the printer.



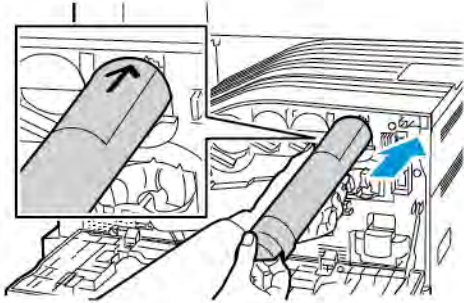
2. Place your fingers under the lip of the toner cartridge, then pull the toner cartridge straight out of the printer.



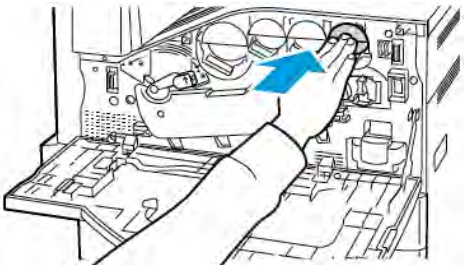
3. Remove the new toner cartridge from the packaging. Tilt the cartridge up and down, then left and right 10 times.



4. Hold the new toner cartridge with the arrow facing up, then push the cartridge in slowly until it stops.



5. Push gently on the toner cartridge to ensure that it is seated.




6. Close the printer front cover.


Waste Toner Container


Replacing the Waste Toner Container


A message appears on the control panel when the waste toner container must be replaced.

When replacing the waste toner container, clean the printhead lenses. For details, see [Cleaning the Printhead Lenses](#).


 **Caution:** Spread paper on the floor to catch possible toner spills.

 **WARNING:** If you spill any toner in the printer, wipe it up using a moist cloth. Never use a vacuum cleaner to remove spilled toner. Sparks inside the vacuum cleaner can cause a fire or explosion.

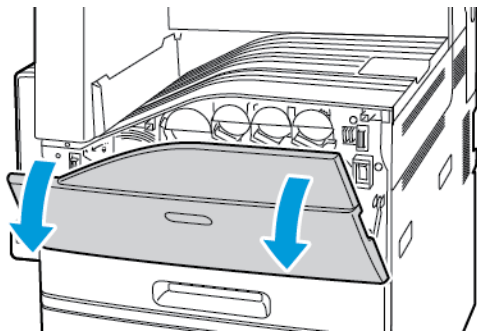
 **WARNING:** If you accidentally get toner on your clothes, lightly dust them off as best as you can. If some toner remains on your clothes, use cool water, not hot, to rinse off the toner. If toner gets on your skin, wash it off with cool water and a mild soap. If you get toner in your eyes, wash it out immediately with cool water and consult a doctor.

 **Note:** Each waste toner container includes installation instructions.

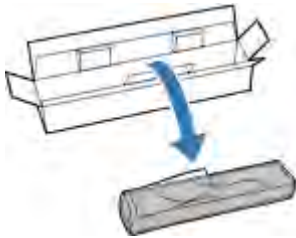
To replace the waste toner container:

 **Caution:** Do not perform this procedure when the printer is copying or printing.

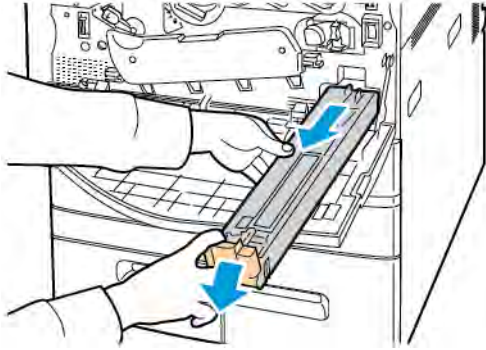
1. Open the front cover of the printer.



2. Remove the new waste toner container from the packaging. Retain the packaging.



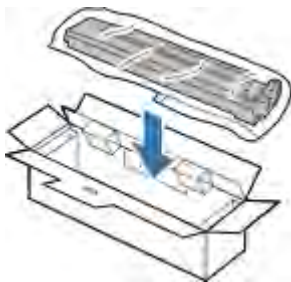
3. Pull the used waste toner container out slowly while supporting it with your other hand.



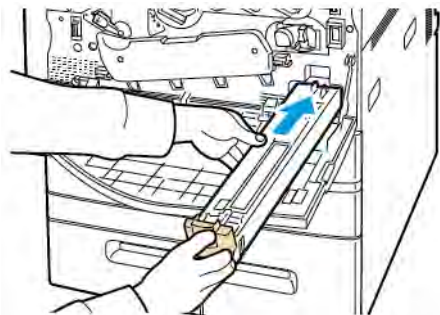
4. Place the used waste toner container in the plastic bag, then seal it firmly using the zipper.



5. Place the used waste toner container in the empty box.



6. Hold the left side of the new waste toner container and slide it into the printer until it clicks.




7. Clean the printhead lenses. For details, refer to [Cleaning the Printhead Lenses](#).
8. Close the front cover.



Drum Cartridges

Replacing the Drum Cartridges

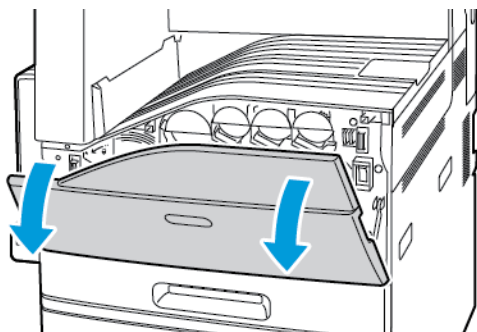
A message appears on the control panel when a drum cartridge must be replaced.

 **Note:** Each drum cartridge includes installation instructions.

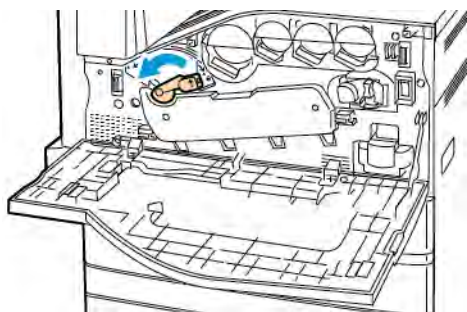
To replace a drum cartridge:

-  **Caution:** Do not perform this procedure when the printer is copying or printing.
-  **Caution:** Do not expose the drum cartridge to direct sunlight or strong indoor fluorescent lighting. Do not touch or scratch the surface of the drum.

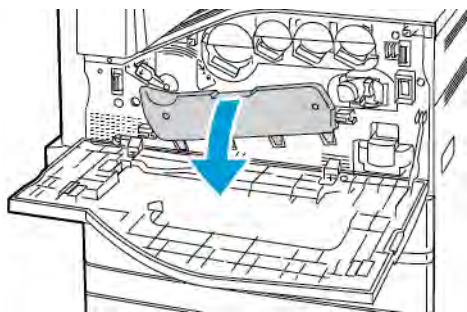
1. Open the front cover of the printer.




2. Turn the belt tension lever to the left.

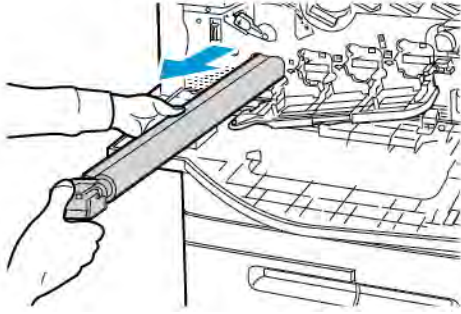


3. Pull the drum cartridge cover down until it clicks into the open position.

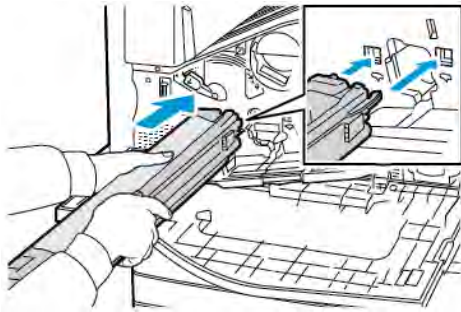


4. Grip the orange handle of the drum cartridge as shown, then pull the drum cartridge straight out of the printer. Place the used drum cartridge in the plastic bag and place in the box.

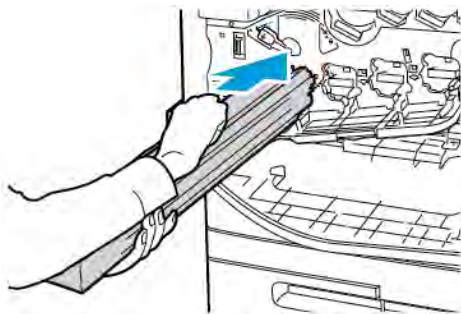
 **WARNING:** Do not touch any toner adhering to the drum cartridge.



5. Remove the packing material from the end of the new drum cartridge.
6. Rest the new cartridge, along with its black plastic protective shield, in the cartridge slot. Load the cartridge in the direction of the arrow on the top of the shield.

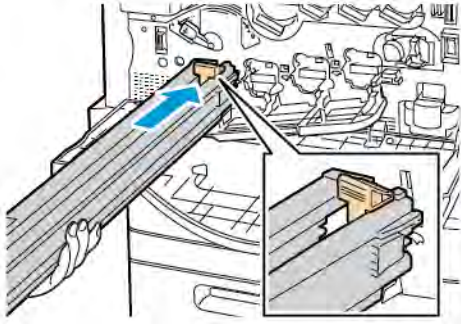


7. With the guides inserted in the slot, to remove the black paper sheet, pull it in the direction shown. Remove the tape from the top of the cartridge shield.
8. Hold the shield, then use the orange handle to push the cartridge into the printer.

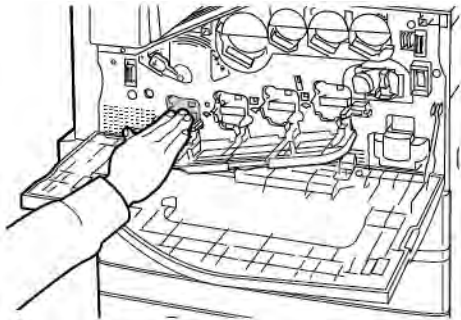


Maintenance

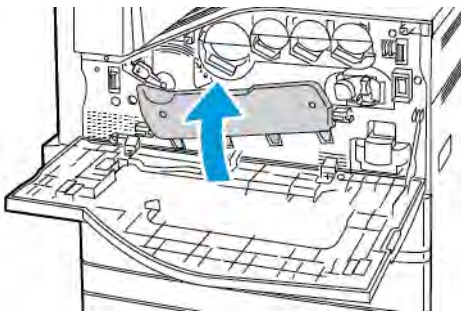
9. Continue to push the orange handle until it stops.



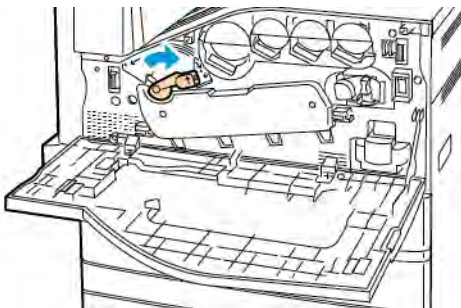
10. Carefully remove the protective shield, then push the drum cartridge until it stops.



11. Close the drum cartridge cover.



12. Turn the belt tension lever to the right to return it to the locked position.




13. Close the printer front cover.

14. Dispose of the protective shield and tape as normal office waste.

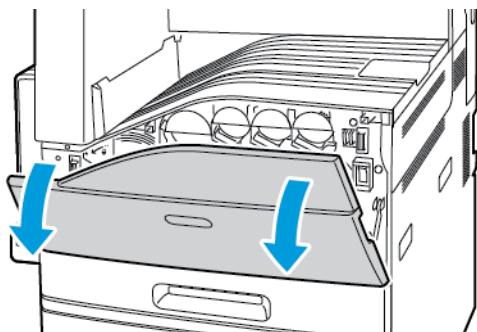
Transfer Belt Cleaner

Replacing the Transfer Belt Cleaner

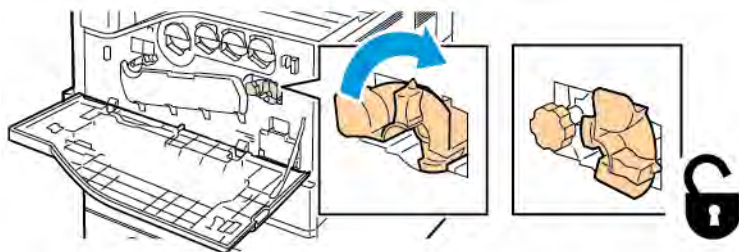
A message appears on the control panel when the transfer belt cleaner must be replaced.

 **Caution:** Do not perform this procedure when the printer is copying or printing.

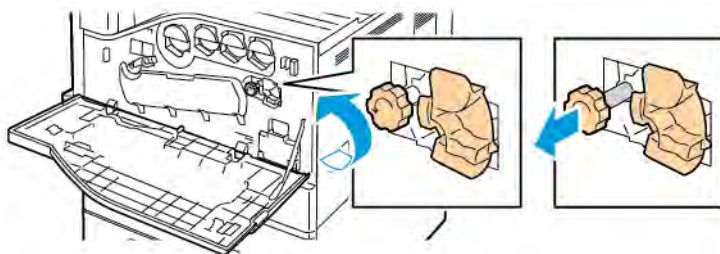
1. Open the front cover of the printer.



2. Turn the orange lever to the right to unlock the belt cleaner.




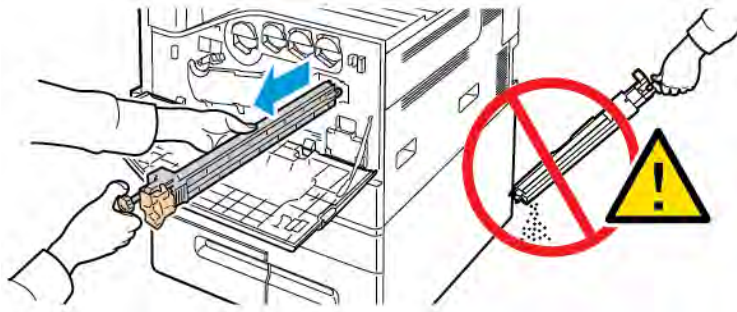
3. Turn the orange knob counterclockwise until it releases.



Maintenance

4. Pull the transfer belt cleaner straight out of the printer.


 **WARNING:** Do not touch any toner adhering to the transfer belt cleaner. Do not tilt the transfer belt cleaner or toner could spill.

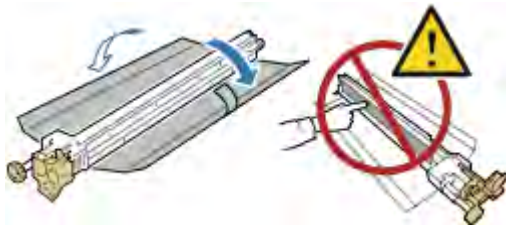


5. Remove the new transfer belt cleaner from the packaging. Retain the packaging.
6. Place the used transfer belt cleaner in the plastic bag.

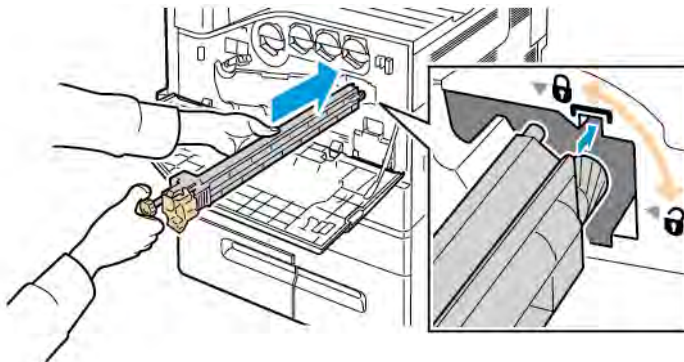


7. Remove the protective cover from the new transfer belt cleaner.

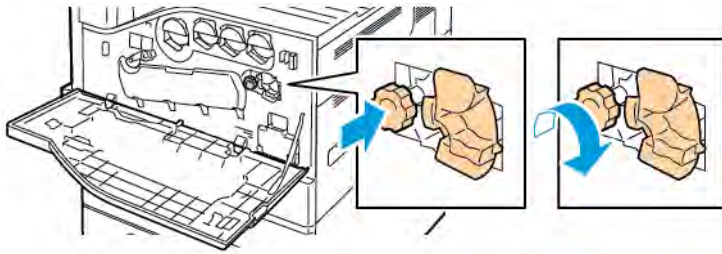
 **Caution:** Do not touch the surface of the transfer belt cleaner. Doing so could deteriorate image quality.



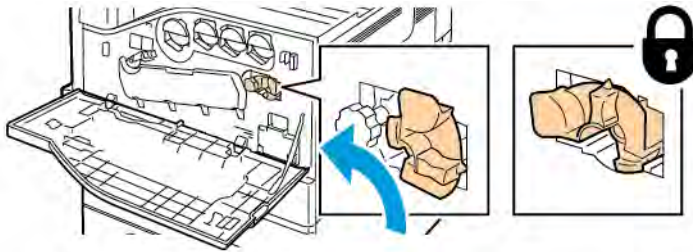
8. Support the new transfer belt cleaner with your left hand and slide it straight into the opening until it stops.



9. Push the orange knob in, then turn it clockwise until snug.



10. To lock the belt cleaner, turn the orange lever to the left.



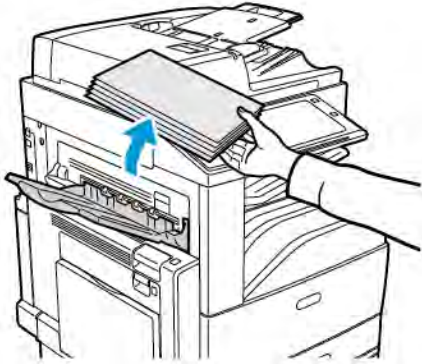
11. Close the printer front cover.

Second Bias Transfer Roller

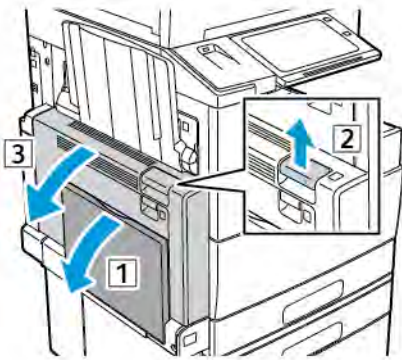
Replacing the Second Bias Transfer Roller


When the second bias transfer roller needs to be replaced, a message appears on the control panel.


1. Remove paper from the left tray, then fold up the tray.

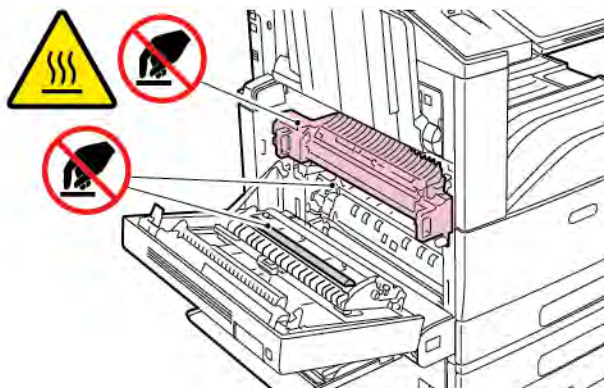


2. To open Door A, open Tray 5, then lift the release lever and open Door A.

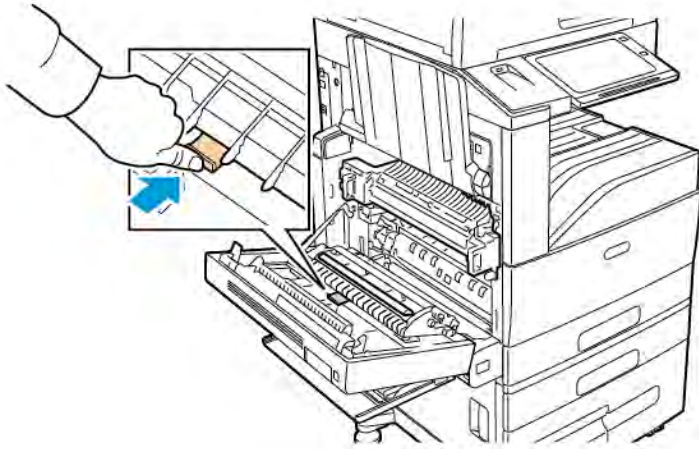


 **WARNING:** The area around the fuser can be hot. Use caution to avoid injury.


 **Caution:** Do not touch the transfer belt. Touching the belt can reduce image quality or damage the transfer belt. Do not touch the transfer roller. Touching the roller can reduce image quality.

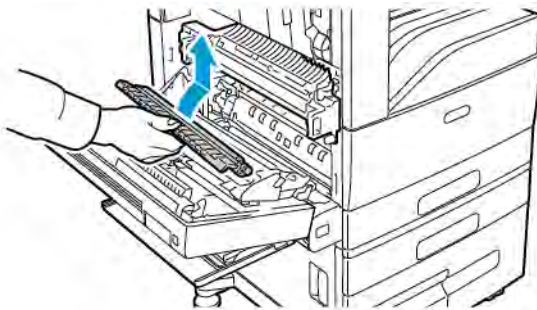


3. Remove the new transfer roller from the packaging. Retain the packaging.
4. Push the orange lever in the direction shown.



5. Lift the used transfer roller out of the printer.

 **Note:** Do not touch any toner adhering to the transfer roller.

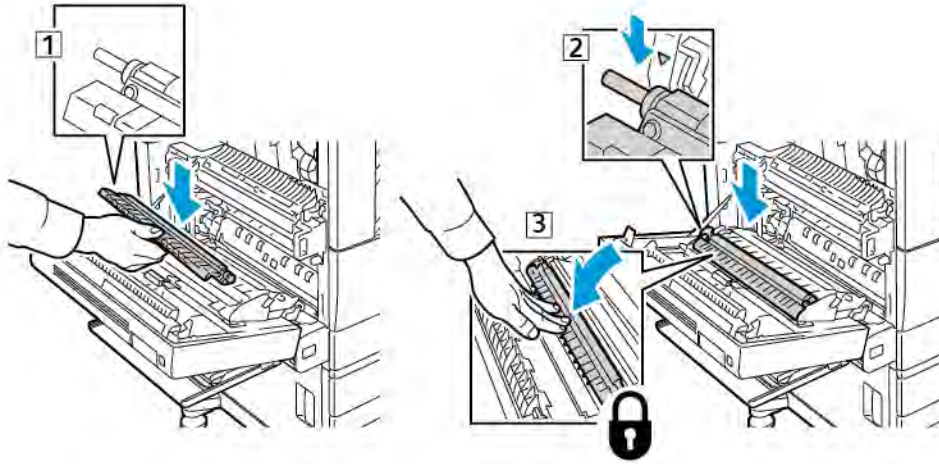


6. Place the used transfer roller in the plastic bag.

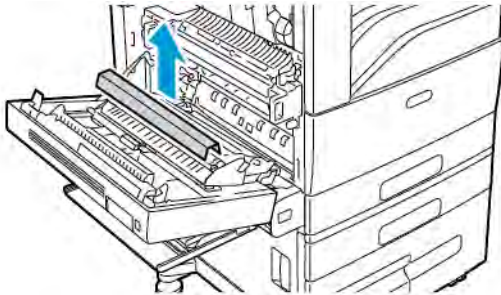


Maintenance

7. Place the new transfer roller in the printer as shown. Press down until the transfer roller clicks into place.



8. Remove the protective cover from the transfer roller.



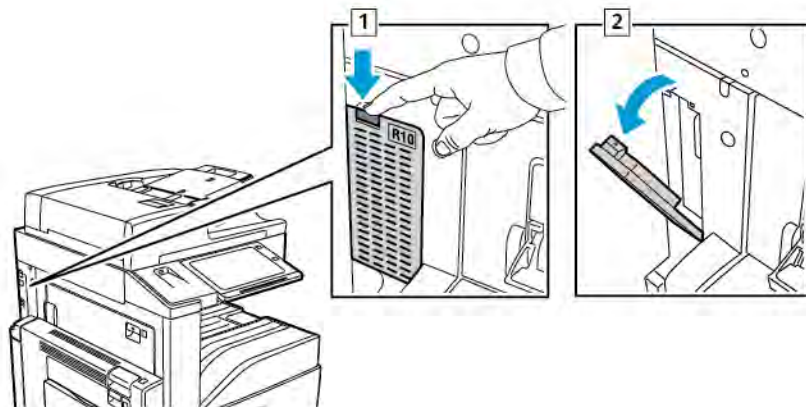
9. To close Door A, push the door up firmly until it clicks into place, then close Tray 5.

Fan Filter

Replacing the Fan Filter

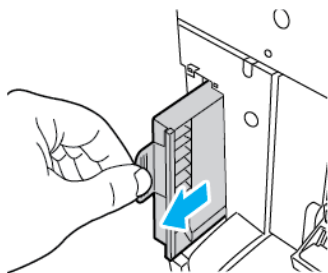
When it is time to replace the fan filter, the printer displays a message on the control panel.

1. Remove the new fan filter from the packaging. Retain the packaging.
2. To remove the fan filter cover, press down on the R10 cover release tab, then lift the cover away from the printer.

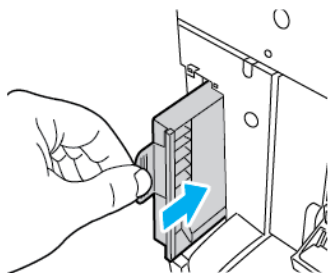


3. To remove the fan filter, grasp the orange tab and pull it toward you. Pull the fan filter out of the printer.

! **Caution:** When replacing the fan filter, be careful not to spill any toner residue. If any toner spills, avoid contact with clothes, skin, eyes, and mouth.

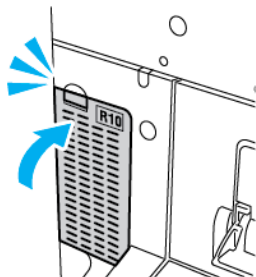


4. Place the used fan filter in the plastic bag. Dispose as normal office waste.
5. To insert the new fan filter, grasp the orange tab, then push the fan filter into the slot until it stops.



Maintenance

6. Replace the fan filter cover.



7. To confirm that you replaced the fan filter, when the confirmation message appears, touch **Yes**.



Note: If the confirmation message does not appear, to generate the message, open, then close, the front door of the printer.

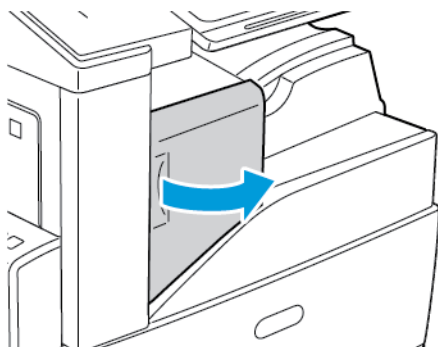
Staple Cartridges and Staple Refills

When a staple cartridge is empty, a message appears on the control panel.

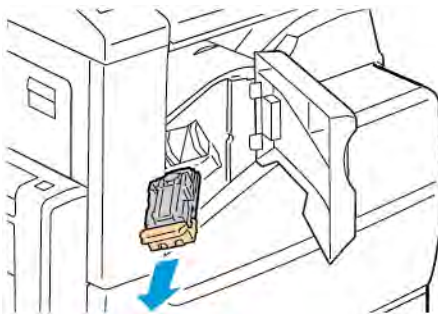
Replacing Staples in the Integrated Office Finisher

! **Caution:** Do not perform this procedure when the printer is copying or printing.

1. Open the finisher front door.

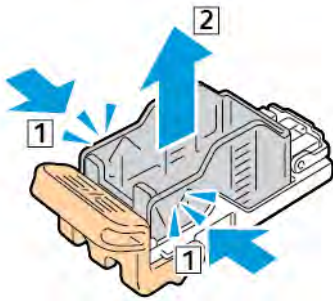


2. To remove the staple cartridge, grasp the orange handle, then pull it firmly toward you.

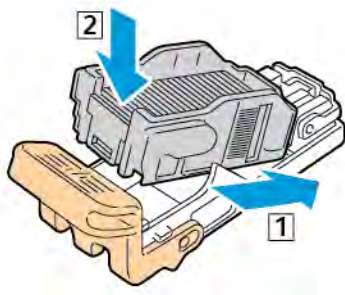


3. Check inside the finisher for any loose staples and remove them.

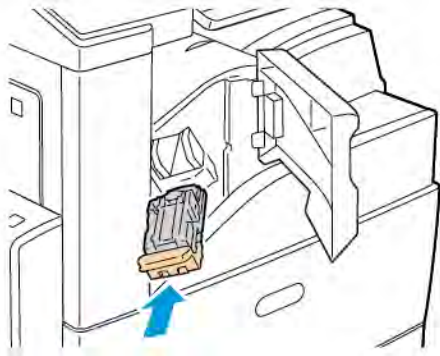
4. Pinch both sides of the staple pack and remove the staple pack from the cartridge.



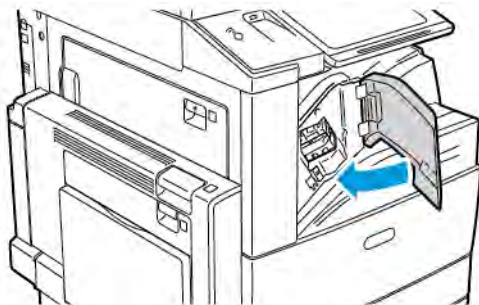
5. Insert the front side of the new staple pack into the staple cartridge, then push the rear side into the cartridge.



6. Grasp the new staple cartridge by the orange handle, then insert the cartridge into the stapler until it clicks.




7. Close the finisher front door.

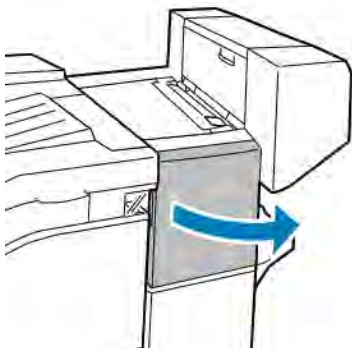


Replacing Staples in the Office Finisher LX

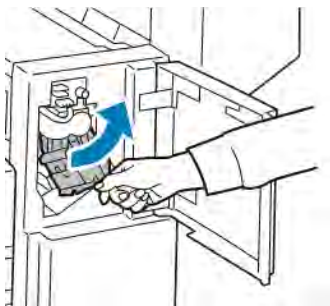
Replacing Staples in the Main Stapler of the Office Finisher LX

 **Caution:** Do not perform this procedure when the printer is copying or printing.

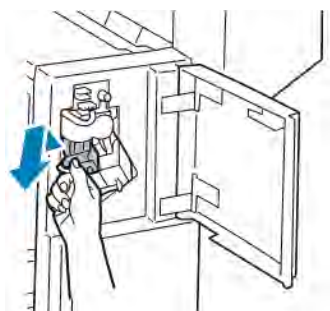
1. Open the finisher front door.



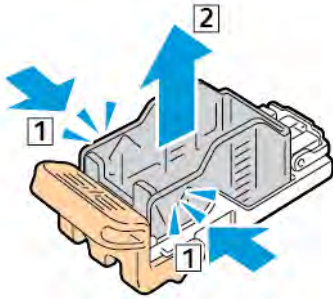
2. Reach into the finisher cabinet and pull the stapler toward you until it stops.
3. Push the stapler assembly to the right as shown.



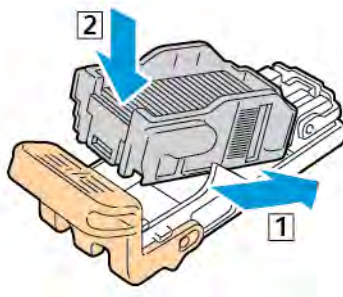
4. To remove the staple cartridge, grasp the orange handle, then pull it firmly toward you.



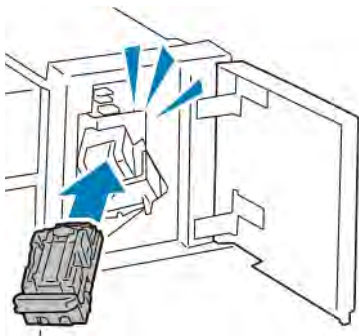
5. Pinch both sides of the staple pack and remove the staple pack from the cartridge.



6. Insert the front side of the new staple pack into the staple cartridge, then push the rear side into the cartridge.




7. Grasp the new staple cartridge by the orange handle, then insert the cartridge into the stapler assembly until it clicks.

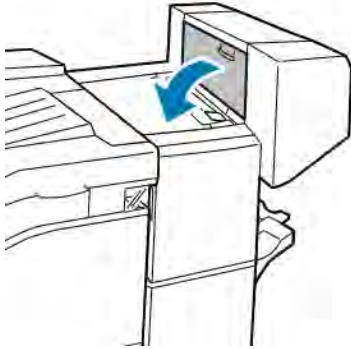


8. Close the finisher front door.

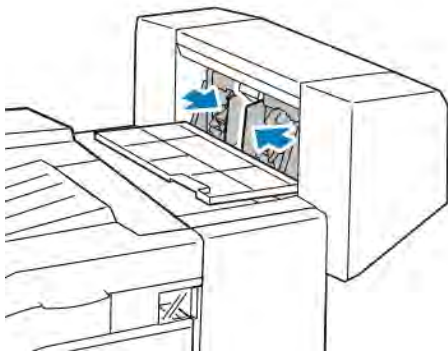
Replacing Staples in the Booklet Maker of the Office Finisher LX

 **WARNING:** Do not perform this procedure while the printer is printing.

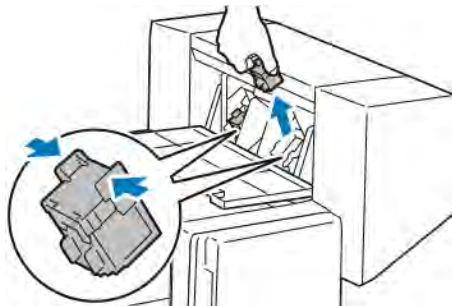
1. Open the finisher side cover.




2. If the staple cartridges are not visible, grip the vertical panels at the left and right of the opening and slide them to the center.

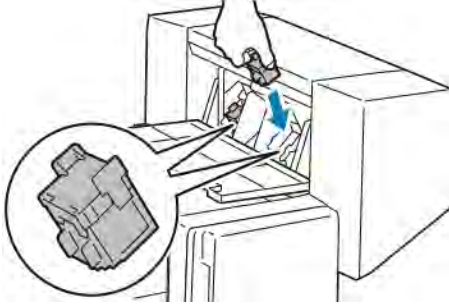



3. Hold the tabs on both sides of the staple cartridge and pull the cartridge out of the finisher.



4. Hold the tabs on both sides of the new staple cartridge and insert it into the original position in the finisher.

 **Note:** If you have trouble inserting the cartridge, ensure that the staples are positioned correctly in the cartridge.




 **Note:** The booklet maker uses two staple cartridges. Booklet stapling requires that both staple cartridges contain staples.

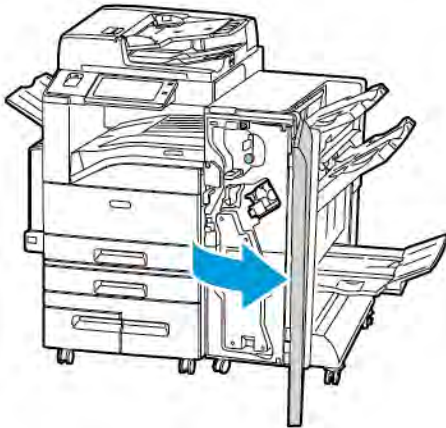
5. Repeat the procedure for the other staple cartridge.
6. Close the finisher side cover.

Replacing Staples in the Business Ready Finisher

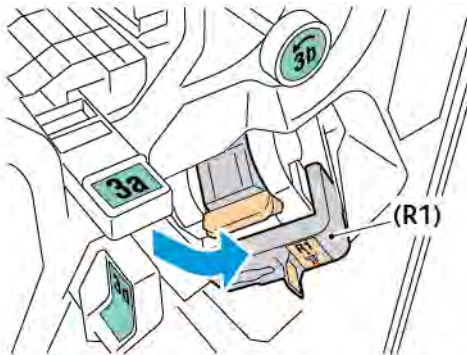
Replacing Staples in the Main Stapler of the Business Ready Finisher

 **Caution:** Do not perform this procedure when the printer is copying or printing.

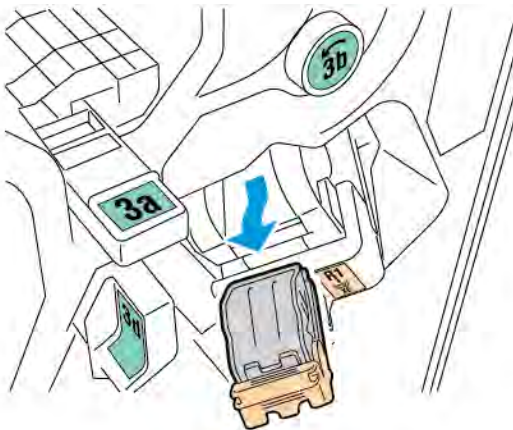
1. Open the front door of the Business Ready finisher.



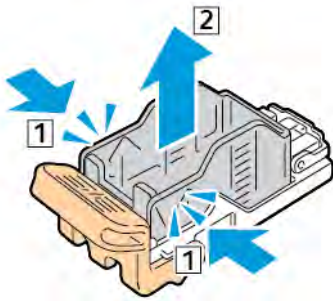
2. Hold the stapler assembly by the orange lever R1 and push it to the right.



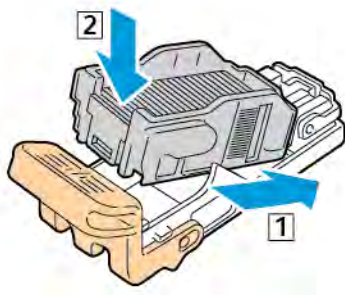
3. To remove the staple cartridge, grasp the orange handle, then pull it firmly toward you.



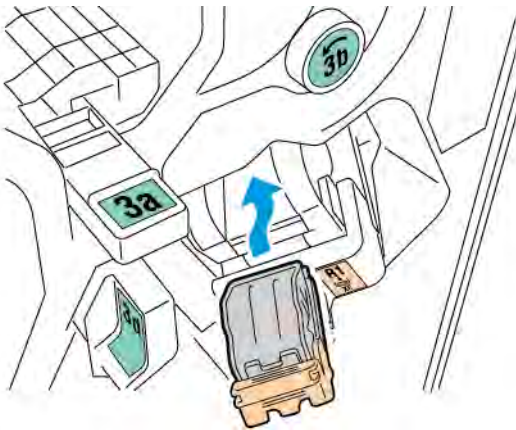
- Pinch both sides of the staple pack and remove the staple pack from the cartridge.



- Insert the front side of the new staple pack into the staple cartridge, then push the rear side into the cartridge.



- Grasp the new staple cartridge by the orange handle, then insert the cartridge into the stapler assembly until it clicks.

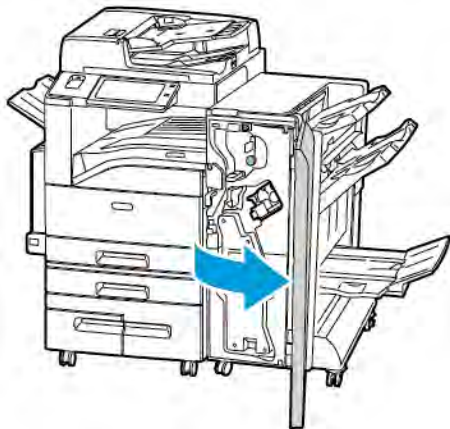


- Return the staple cartridge assembly to its original position.

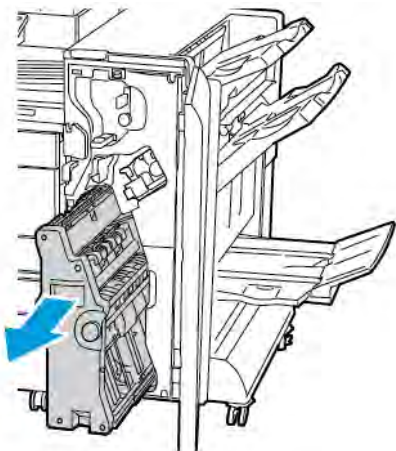
Replacing Staples in the Booklet Maker of the Business Ready Finisher

! **Caution:** Do not perform this procedure when the printer is copying or printing.

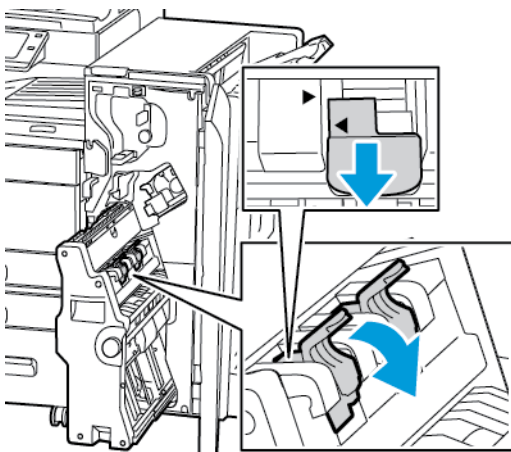
1. Open the front door of the Business Ready finisher.



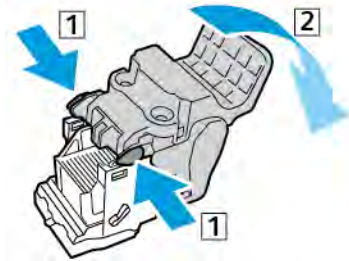
2. Grasp the booklet maker handle and pull the unit toward you until the staple cartridges appear on the top edge of the device.



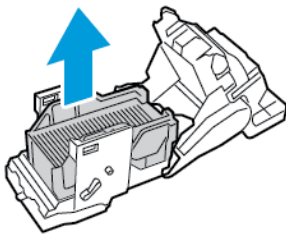
3. To remove a staple cartridge from the booklet maker, push down on the staple cartridge handle, as shown, then pull the cartridge out and up.



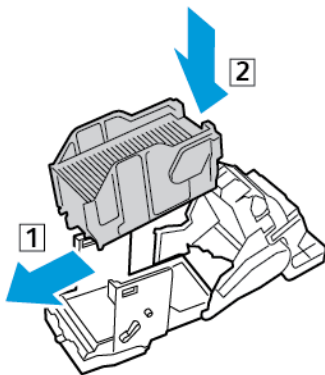
4. Turn over the staple cartridge.
5. To permit the staple cartridge handle to open out and away from the staple pack, press in the green tabs, then pull back the handle.



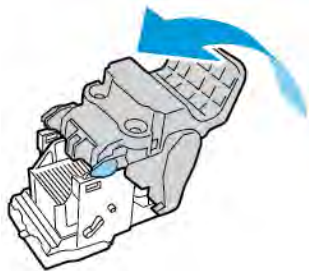
6. To remove the staple pack, press the rear of the cartridge, then lift out the staple pack as shown.



7. Insert the front side of the new staple pack into the staple cartridge, then push the rear side into the cartridge.

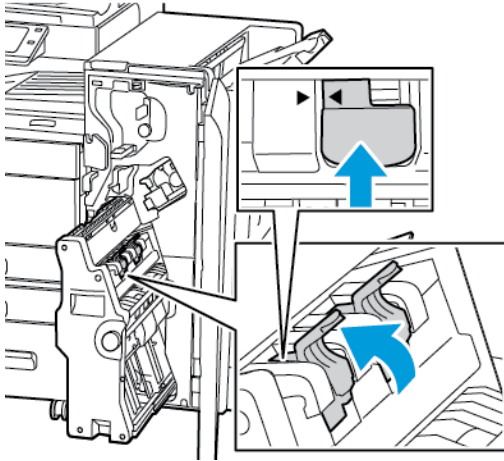


8. To close the staple cartridge, push back the cartridge handle until it clicks.

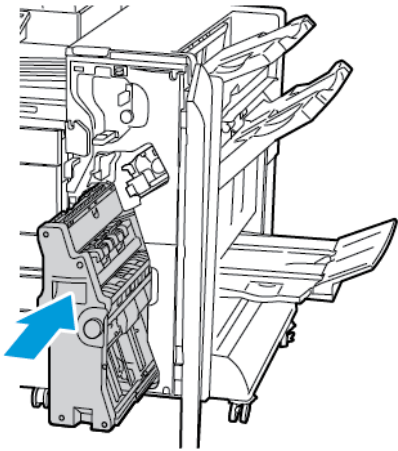


Maintenance

9. To return the staple cartridge to the booklet maker, insert the staple cartridge and push up on the cartridge handle as shown.

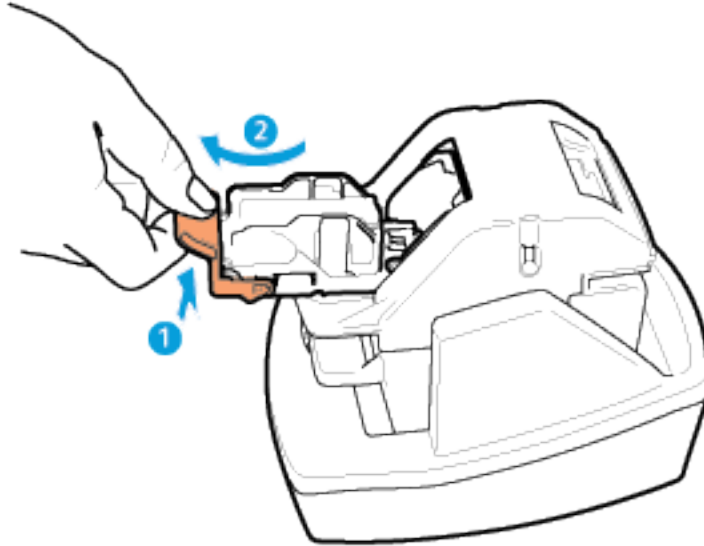


10. Return the booklet maker to its original position, then close the finisher door.



Replacing Staples in the Convenience Stapler

1. Lift the lever at the rear of the convenience stapler, then gently rotate the staple head toward you.
2. Grip the staple cartridge and pull it out of the stapler head.



3. Unpack the new staple cartridge. Remove any partial strips and any staple strips that are not flat.
4. Install the new staple cartridge in the convenience stapler. The staple cartridge clicks into place.
5. Release the lever at the front of the convenience stapler, then gently rotate the staple head away from you.

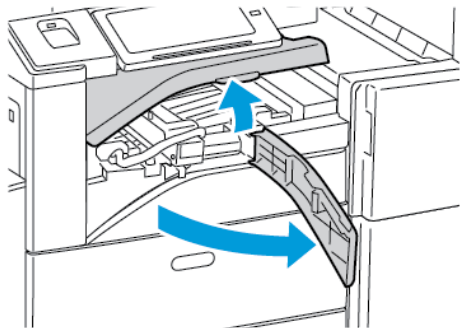
Emptying the Hole Punch Waste Container

A message appears on the control panel when the hole punch waste container is full.

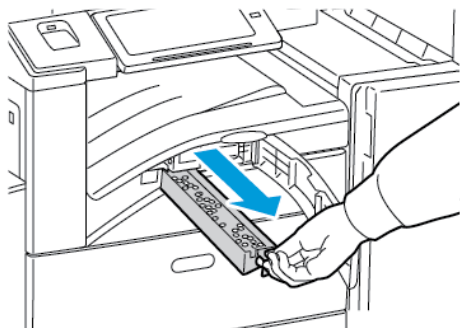
Emptying the Hole Punch Waste Container in the Office Finisher LX

! **Caution:** Do not perform this procedure when the printer is copying or printing.

1. Lift the finisher transport top cover, then open the front transport cover.



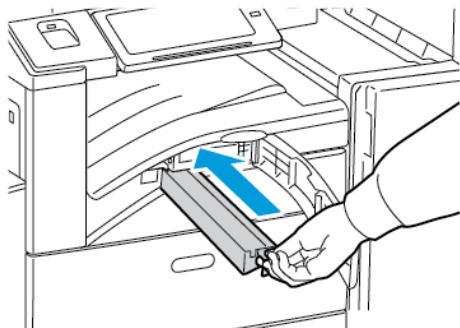
2. Pull out the hole-punch waste container.



3. Empty the container.




4. Insert the container all the way into the finisher.

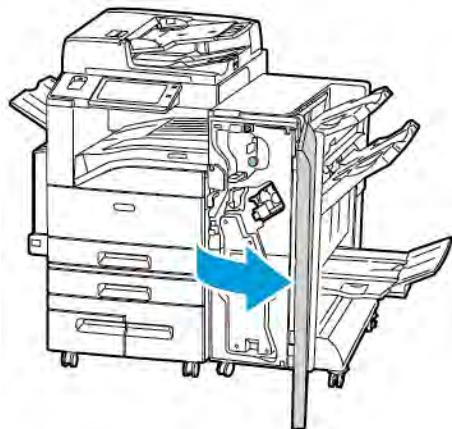


5. Close the finisher front transport cover, then close the top cover.

Emptying the Hole Punch Waste Container in the Business Ready Finisher

 **Caution:** Do not perform this procedure when the printer is copying or printing.

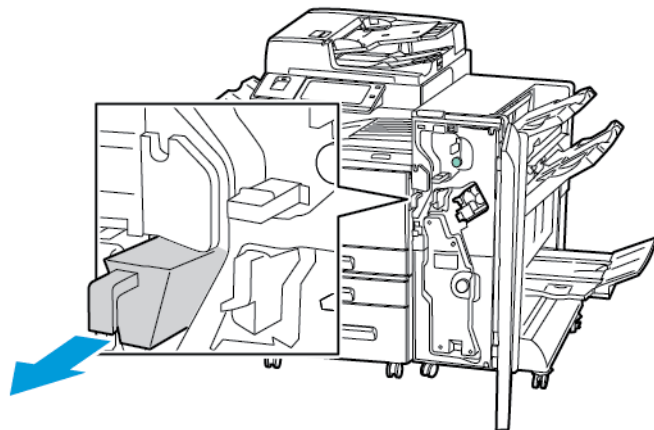
1. Open the front door of the Business Ready finisher.



2. Remove the hole-punch waste container from its slot near the top left of the finisher.

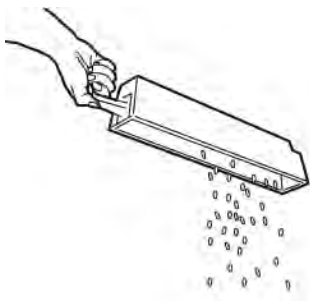
 **Note:**

- When you remove the hole-punch waste container, wait 10 seconds before you reinsert it into the printer. The hole-punch counter resets after 10 seconds.
- If you remove the hole-punch waste container before the device instructs you to, empty the container before you reinsert it into the finisher.

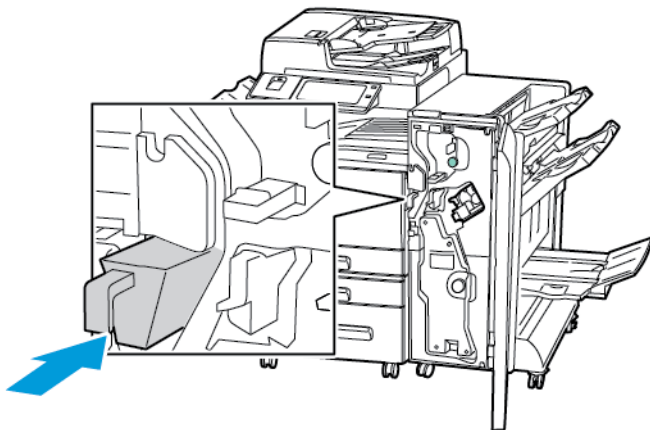


Maintenance

3. Empty the container.



4. Insert the container all the way into the finisher.



5. Close the front door of the Business Ready finisher.

Recycling Supplies

For information on Xerox® supplies recycling programs, go to www.xerox.com/recycling.

Supplies include a prepaid return label. Please use it to return used components in their original boxes for recycling.

Resetting Supply Life Counters

You must reset the supply life counters when you replace some supplies.


1. At the printer control panel, press the **Home** button.
2. Touch the **Log In** button, enter the system administrator login information, then touch **Done**. For details, refer to the *System Administrator Guide* at www.xerox.com/support/ALC80XXdocs.
3. Touch **Device** → **Tools** → **Device Settings** → **Supplies**.
4. Touch **Supply Counter Reset**.
5. To select an item to reset, touch the supply item in the list, then touch **Reset Counter**.
6. On the confirmation screen, touch **Reset**.
7. To return to the Tools screen, touch **X**, then touch **X** again.

8. To return to the Home screen, press the **Home** button.
9. Touch the **Log In** button, then touch **Logout**.

Managing the Printer

Viewing the Meter Reading

The Billing/Usage menu displays the total number of impressions that the printer generated or printed during its lifetime. You cannot reset the counters. A page is counted as one side of a sheet of paper. For example, a sheet of paper that is printed on two sides counts as two impressions.

 **Note:** If you provide regular billing information for your device, you can use the Remote Services Upload feature to simplify the process. You can enable Remote Services to send billing meter readings to Xerox automatically so that you do not have to collect the readings manually. Refer to the System Administrator Guide for further information.

To view the billing information for your printer:

1. At the printer control panel, press the **Home** button.
2. Touch **Device**→**Billing/Usage**.
3. To view more details, touch **Usage Counters**, then select an option.
4. After viewing the usage readings, to return to the Device screen touch **X**, then touch **X** again.
5. To return to the Home screen, press the **Home** button.

Printing the Billing Summary Report

The Billing Summary Report provides information about the device and a detailed listing of the billing meters and sheet counts.

To print the Billing Summary Report:

1. At the printer control panel, press the **Home** button.
2. Touch **Device**→**Information Pages**.
3. Touch **Billing Summary**, then touch **Print**.
4. To return to the Home screen, press the **Home** button.

Moving the Printer

- Always power off the printer and wait for the printer to shut down. To power off the printer, verify that there are no jobs in the queue, then press the secondary power switch. Wait 10 seconds after the touch screen goes dark, then power off the main power switch. For details, refer to [Powering On the Printer or Exiting Sleep Mode](#).
- Disconnect the power cord from the back of the printer.
- Keep the printer level to avoid spilling toner.

Note: When moving the printer over a long distance, remove the drum cartridges and toner cartridges to prevent toner from spilling. Pack the printer inside a box.



Caution: Failure to repackage the printer properly for shipment can result in damage not covered by the Xerox® Warranty, Service Agreement, or Total Satisfaction Guarantee. The Xerox® Warranty, Service Agreement, or Total Satisfaction Guarantee do not cover damage to the printer caused by improper moving. The Xerox® Total Satisfaction Guarantee is available in the United States and Canada. Coverage could vary outside these areas. Please contact your Xerox representative for details.

Troubleshooting

This chapter contains:

- [General Troubleshooting](#) 246
- [Paper Jams](#) 253
- [Print, Copy, and Scan Problems](#) 306
- [Fax Problems](#)..... 314
- [Getting Help](#) 317

General Troubleshooting

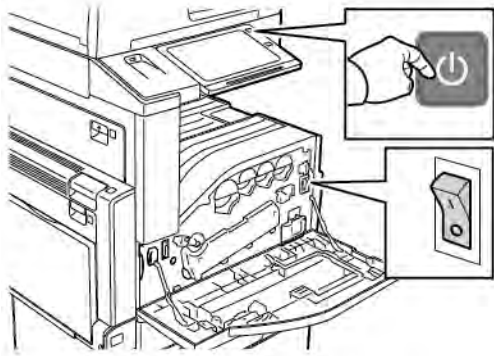
This section contains procedures to help you locate and resolve problems. Resolve some problems by simply restarting the printer.

Restarting the Printer

The printer has two power switches. The main power switch, located behind the front door, controls the main power to the printer. The secondary power switch is the Power/Wake button on the control panel. The Power/Wake button controls power to the printer electronic components, and when powered off, initiates a software-controlled shutdown. The preferred method to power on and off the printer is to use the Power/Wake button.

To operate the printer, power on both switches:

1. Power on the main power switch.
2. At the control panel, press the **Power/Wake** button.



3. To restart the printer:
 - a. At the control panel, press the **Power/Wake** button, then touch **Restart**. A message appears on the control panel that warns you that the printer is restarting.
 - b. If the printer does restart after several minutes, open the front door, then power off the main power switch. To restart the printer, power on the main switch, then press the **Power/Wake** button on the control panel.
 - c. Close the front door.


If restarting the printer does not resolve the issue, see the table in this chapter that best describes the problem.

Printer Has Two Power Switches

Probable Causes	Solutions
<p>The printer has two power switches and one is not powered on.</p>	<p>Power off the printer.</p> <ul style="list-style-type: none"> • Press the Power/Wake button on the control panel. • Open the front door and power off the main power switch. <p>Power on the printer.</p> <ul style="list-style-type: none"> • Open the front door, then power on the main power switch. • At the printer control panel, press the Power/Wake button. For details, refer to Powering On the Printer or Exiting Sleep Mode.

Printer Does Not Power On

Probable Causes	Solutions
<p>The power switch is not switched on.</p>	<ul style="list-style-type: none"> • Open the front door and check that the main power switch is in the On position. • At the printer control panel, press the Power/Wake button. For details, refer to Powering On the Printer or Exiting Sleep Mode.
<p>The power cord is not plugged into the outlet correctly.</p>	<p>Power off the printer, then plug the power cord into the outlet securely. Use the bracket provided with the printer to secure the power cord in place.</p>
<p>Something is wrong with the outlet connected to the printer.</p>	<ul style="list-style-type: none"> • Plug another electrical appliance into the outlet and check if it operates properly. • Try a different outlet.
<p>The printer is connected to an outlet with a voltage or frequency that does not match the printer specifications.</p>	<p>Use a power source with the specifications listed in the Electrical Specifications.</p>

 **Caution:** Plug the three-wire cord with grounding prong directly into a grounded AC outlet. Do not use a power strip. If necessary, contact a licensed electrician to install a properly grounded outlet.

Printer Resets or Powers Off Frequently

Probable Causes	Solutions
The power cord is not plugged into the outlet correctly.	Power off the printer. Confirm that the power cord is plugged in correctly to the printer and the outlet, then power on the printer.
A system error occurred.	Power off the printer, then power on again. If the error persists, contact your Xerox representative.
The printer is connected to an uninterruptible power supply (UPS), extension cord, or power strip.	Only use an extension cord designed to handle the electrical current capacity of the printer. For details, refer to Electrical Specifications .
A network configuration problem exists.	Unplug the network cable. If the problem is not resolved, contact your system administrator to reconfigure your network installation.
The printer is connected to an outlet with a voltage or frequency that does not match the printer specifications.	Use a power source with the specifications listed in Electrical Specifications .

Printer Does Not Print


Probable Causes	Solutions
The printer is in Power Saver mode.	On the control panel, press the Power/Wake button.
The printer has an error.	If the Status LED is blinking amber, to clear the error, follow the instructions on the control panel. If the error persists, contact your Xerox representative.
The printer is out of paper.	Load paper into the tray.
A toner cartridge is empty.	Replace the empty toner cartridge.
A drum cartridge has reached end of life.	Replace the drum cartridge.
No control panel indicators are lighted.	Power off the printer, confirm that the power cord is plugged in correctly to the printer and the outlet, then power on the printer. If the error persists, contact your Xerox representative.
The printer is busy.	<ul style="list-style-type: none"> • If the Status LED is flashing blue, a previous print job could be the problem. <ol style="list-style-type: none"> 1 At your computer, use the printer properties to delete all print jobs in the print queue.

Probable Causes	Solutions
	<p>2 At the control panel, touch Jobs, then delete all pending print jobs.</p> <ul style="list-style-type: none"> • Load the paper in the tray. • If the Status LED does not flash once after you send a print job, check the connection between the printer and the computer. Power off the printer, then power on.
The printer cable is disconnected.	If the Status LED does not flash once after you send a print job, check the connection between the printer and the computer.
There is a wireless or network connectivity issue.	<p>To test the printer, print an Information Page, such as the Configuration Report. If the page prints, there could be a wireless or network connectivity issue.</p> <p>Contact your system administrator or refer to the <i>System Administrator Guide</i> at www.xerox.com/support/ALC80XXdocs.</p>
Incorrect print driver.	Check that you have the latest print driver installed. For details, go to www.xerox.com/support/ALC80XXsupport .

Printing Takes Too Long


Probable Causes	Solutions
The printer is set to print on a paper type that requires slower printing.	Certain paper types, like heavyweight paper and transparencies, take more time to print. Ensure that the print driver and control panel are set to the proper paper type.
The printer is in Power Saver mode.	Wait. It takes time for printing to start after the printer exits Power Saver mode.
The way the printer was installed on the network could be an issue.	<ul style="list-style-type: none"> • Determine if a print spooler or a computer sharing the printer is buffering all print jobs and then spooling them to the printer. Spooling can slow print speeds. • To test the speed of the printer, print multiple copies of an information page, such as a demo page. If the page prints at the rated speed of the printer, there could be a network or printer installation issue. For additional help, contact the system administrator.
The job is complex.	Wait. No action needed.

Document Fails to Print

Probable Causes	Solutions
<p>Selected tray has wrong paper size loaded, or paper type or color is not available.</p>	<p>To view the Job Status for a failed print on the touch screen:</p> <ol style="list-style-type: none"> 1 At the printer control panel, press the Home button. 2 Touch Jobs. 3 From the jobs list, touch the held job name. The resources required for the job appear on the control panel. 4 Do one of the following: <ul style="list-style-type: none"> • To print the job, replenish the resources required. The job resumes automatically when the required resources are available. If the job does not print automatically, touch Resume. • To choose an alternative paper source to enable the job to print, touch Print On Alternate Paper. Select a paper tray, then touch OK. • To delete the print job, touch Delete. At the prompt, touch Delete. <p> Note: The Print On Alternate Paper option is enabled using the Embedded Web Server.</p> 5 To return to the Home screen, press the Home button.
<p>Incorrect network settings.</p>	<p>To reset network settings, contact your system administrator or refer to the <i>System Administrator Guide</i> at www.xerox.com/support/ALC80XXdocs.</p>

Probable Causes	Solutions
The way the printer was installed on the network could be an issue.	<ul style="list-style-type: none"> • Ensure that the printer is connected to the network. • Determine if a print spooler or a computer sharing the printer is buffering all print jobs and then spooling them to the printer. Spooling can slow print speeds. • To test the printer, print an information page, such as the Configuration Report. If the page prints, there could be a network or printer installation issue. For help, contact the system administrator.
Application and print driver have conflicting tray selections.	For details, see Document Prints from Wrong Tray .

Document Prints from Wrong Tray

Probable Causes	Solutions
Application and print driver have conflicting tray selections.	<ol style="list-style-type: none"> 1 Check the tray selected in the print driver. 2 Access the page setup or printer settings of the application from which you are printing. 3 Set the paper source to match the tray selected in the print driver or set the paper source to Automatically Select. 4 Check that you have the latest print driver installed. For details, go to www.xerox.com/support/ALC80XXsupport. <p> Note: To have the print driver select the tray, set the tray used as the paper source to Auto Selection Enabled.</p>

Printer is Making Unusual Noises

Probable Causes	Solutions
One of the trays is not installed correctly.	Open and close the tray from which you are printing.
There is an obstruction or debris inside the printer.	Power off the printer and remove the obstruction or debris. If you cannot remove the obstruction, contact your Xerox® service representative.
The printer beeps at each touch on the control panel.	Check the Alerts setting. For details, refer to the <i>System Administrator Guide</i> at www.xerox.com/support/ALC80XXdocs .

Automatic 2-Sided Printing Problems

Probable Causes	Solutions
Unsupported or incorrect paper.	Ensure that you are using the correct paper. Do not use transparencies, envelopes, labels, or reloaded paper for automatic 2-sided printing. For details, see Supported Paper Sizes and Weights for Automatic 2-Sided Printing .
Incorrect setting.	On the print driver Printing Options tab, select 2-Sided Print .

Date and Time Are Incorrect

Probable Causes	Solutions
The Date and Time Setup is set to Manual (NTP Disabled).	To change the Date and Time to Automatic, in the Embedded Web Server, enable NTP. For details, refer to the <i>System Administrator Guide</i> at www.xerox.com/support/ALC80XXdocs .
The time zone, date, or time is set incorrectly.	Set the time zone, date, and time manually. For details, refer to the <i>System Administrator Guide</i> at www.xerox.com/support/ALC80XXdocs .

Scanner Errors

Probable Causes	Solutions
Scanner is not communicating.	Power off the printer, and check the scanner cable. Wait two minutes and power on the printer again. If the problem is not resolved, contact your Xerox® service representative.

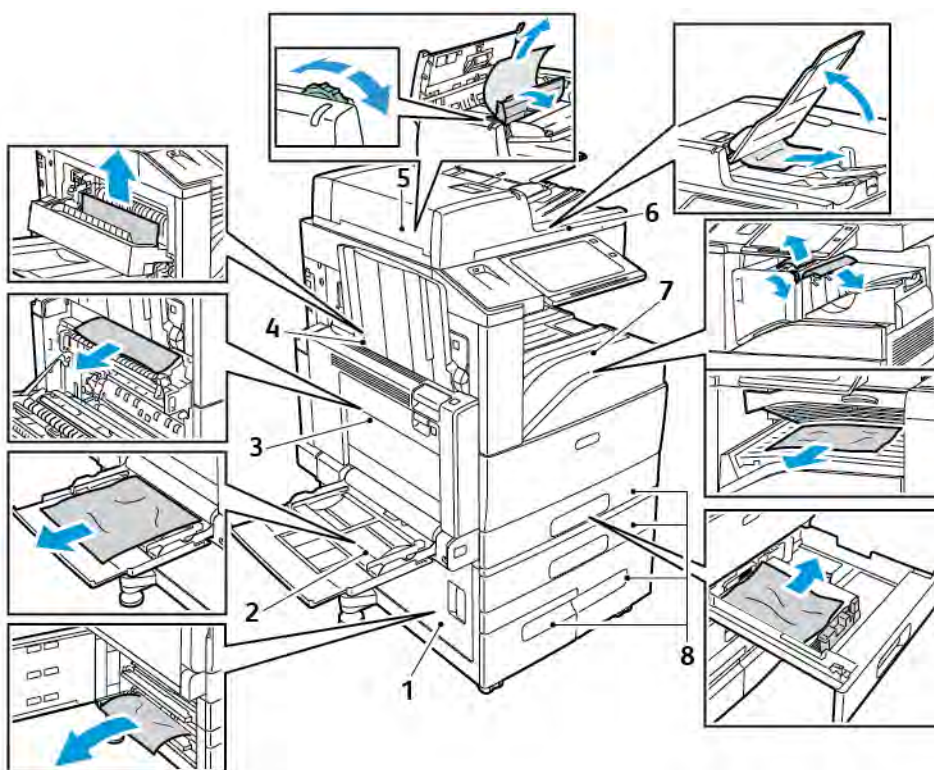
Paper Jams

Locating Paper Jams

⚠ WARNING: Never touch a caution-labeled area in the fuser. You can get burned. If a sheet of paper is wrapped around the inside of the fuser, do not try to remove it immediately. Power off the printer immediately and wait 40 minutes for the fuser to cool. Try to remove the jam after the printer has cooled. If the error persists, contact your Xerox representative.

⚠ Caution: Do not attempt to clear any paper jams using tools or instruments. This can permanently damage the printer.

The following illustration shows where paper jams can occur along the paper path:



1. Door D
2. Tray 5
3. Doors A and B
4. Door C
5. Duplex Automatic Document Feeder
6. Document Output Tray
7. Finisher Areas
8. Paper Trays 1–4

Minimizing Paper Jams

The printer is designed to function with minimal paper jams using Xerox supported paper. Other paper types can cause jams. If supported paper is jamming frequently in one area, clean that area of the paper path. To avoid damage, always remove jammed paper carefully without tearing it. Try to remove the paper in the same direction it normally moves through the printer. Even a small piece of paper left in the printer can cause a jam. Do not reload paper that has jammed.

The following can cause paper jams:

- Selecting the incorrect paper type in the print driver.
- Using damaged paper.
- Using unsupported paper.
- Loading paper incorrectly.
- Overfilling the tray.
- Adjusting the paper guides improperly.

Most jams can be prevented by following a simple set of rules:

- Use only supported paper. For details, refer to [Supported Paper](#).
- Follow proper paper handling and loading techniques.
- Always use clean, undamaged paper.
- Avoid paper that is curled, torn, moist, creased, or folded.
- To separate the sheets before loading into the tray, fan the paper.
- Observe the paper tray fill line; never overfill the tray.
- Remove transparencies from the output tray immediately after printing.
- Adjust the paper guides in all trays after inserting the paper. A guide that is not properly adjusted can cause poor print quality, misfeeds, skewed prints, and printer damage.
- After loading the trays, select the correct paper type and size on the control panel.
- When printing, select the correct type and size in the print driver.
- Store paper in a dry location.
- Use only Xerox paper and transparencies designed for the printer.


Avoid the following:


- Polyester coated paper that is designed especially for inkjet printers.
- Highly glossy or coated paper.
- Paper that is folded, wrinkled, or excessively curled.
- Fanning transparencies before loading in the paper tray.
- Loading more than one type, size, or weight of paper in a tray at the same time.
- Loading hole punched paper or paper with folded corners or staples in the document feeder.
- Overfilling the paper trays.
- Allowing the output tray to overfill.
- Allowing the output tray to fill with more than a few transparencies.

Clearing Paper Jams

To clear jams, watch the video and follow the instructions on the control panel. To resolve the error that appears on the control panel, remove all paper from the areas shown. If the error does not clear, check the jam areas again to ensure that all paper has been removed. Ensure that all levers, covers, and doors have been closed correctly.

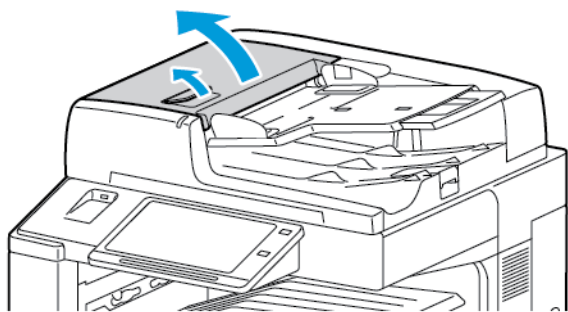
To avoid damage, always remove jammed paper carefully without tearing it. Try to remove the paper in the same direction it normally moves through the printer. Even a small piece of paper left in the printer can cause a jam. Do not reload paper that has jammed.

 **Note:** Do not touch the printed side of the paper when removing it. The printed side of jammed pages could smudge, and the toner could stick to your hands. Avoid spilling any toner inside the printer.

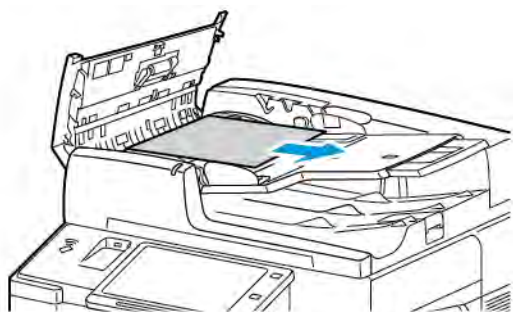
 **WARNING:** If you accidentally get toner on your clothes, lightly dust them off as best as you can. If some toner remains on your clothes, use cool water, not hot, to rinse off the toner. If toner gets on your skin, wash it off with cool water and a mild soap. If you get toner in your eyes, wash it out immediately with cool water and consult a doctor.

Clearing Jams in the Document Feeder

1. Lift the release lever and open the top cover of the document feeder as shown.

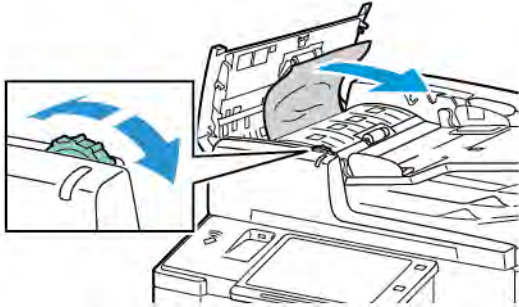


2. If the original document is not caught in the entry to the document feeder, pull the document straight out in the direction shown.

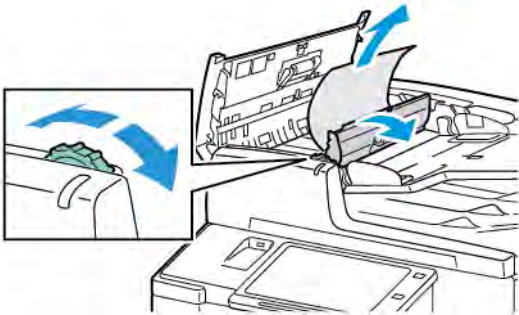


Troubleshooting

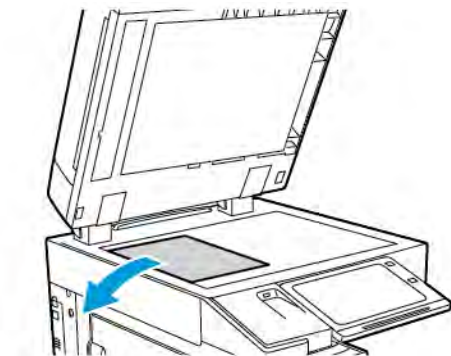
3. If the message on the control panel instructs you to turn the green wheel, turn it in the direction shown. Turning the green wheel moves the original document out of the feeder.



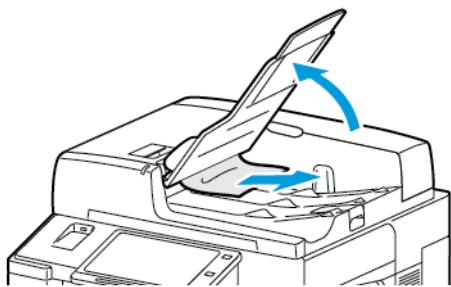
4. If the control panel message instructs you to open the inner cover, lift the lever with the green tab to open the inner cover.
5. To move the original document out of the feeder, turn the green wheel in the direction shown. Carefully remove the jammed document.



6. Close the inner cover, then close the top cover of the document feeder, pressing it down until it clicks into place.
7. If the original document is not visible when the document feeder top cover is opened, lift the document feeder and remove the original document from the document glass.



8. If the original document is not visible when the document feeder is opened, close the document feeder. Lift up the document feeder tray, then remove the paper.



9. Lower the document feeder tray.
10. If the original document is not wrinkled or torn, load it into the feeder again, following the instructions on the control panel.



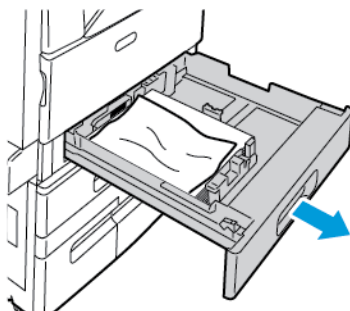
Note: After clearing a document feeder jam, reload the entire document, including the pages already scanned. The printer automatically skips the scanned pages and scans the remaining pages.



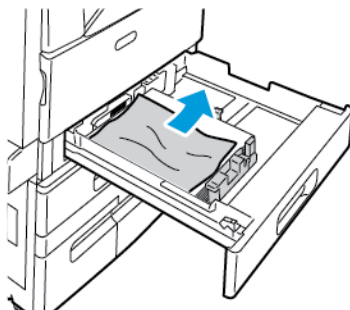
Caution: Torn, wrinkled, or folded originals can cause jams and damage the printer. To copy torn, wrinkled, or folded originals, use the document glass.

Clearing Jams at Trays 1–4

1. Before you remove any tray from the printer, view the paper jam message on the control panel. Remove the jam shown on the control panel, then remove other paper jams.
2. Pull out the tray until it stops.



3. Remove the paper from the tray.



Troubleshooting

4. If the paper is torn, remove the tray completely, then check inside the printer for torn pieces of paper.
5. Reload the tray with undamaged paper, then push the tray in until it stops.
6. At the control panel, if a prompt appears, select the correct paper size, type, and color.
 - To select a new paper size, touch **Size**.
 - To select a new paper type, touch **Type**.
 - To select a new paper color, touch **Color**.
 - To confirm the settings, touch **Confirm**.

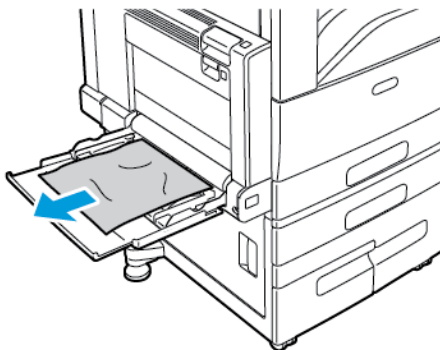


Note: If a prompt does not appear, and you have changed the paper size, type, or color, update the Required Paper Policies. For details, refer to the *System Administrator Guide* at www.xerox.com/support/ALC80XXdocs.

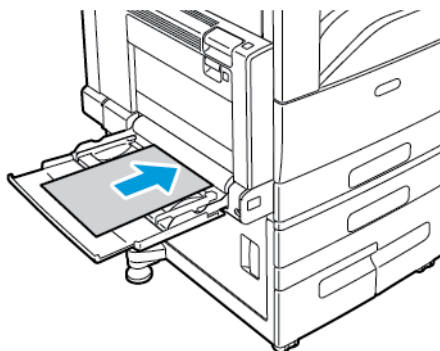
7. To return to the Home screen, press the **Home** button.

Clearing Jams at Tray 5 (Bypass Tray)

1. Remove the jammed paper from the tray. Make sure that the paper feed entrance where the tray connects to the printer is clear.



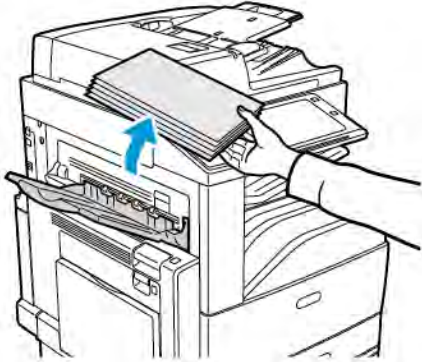
2. If the paper is torn, check inside the printer for torn pieces of paper.
3. Fan the paper that you removed and make sure that all four corners are aligned.
4. Insert the paper into tray 5 with the printing side face down. The leading edge of the paper should lightly touch the paper feed entrance.



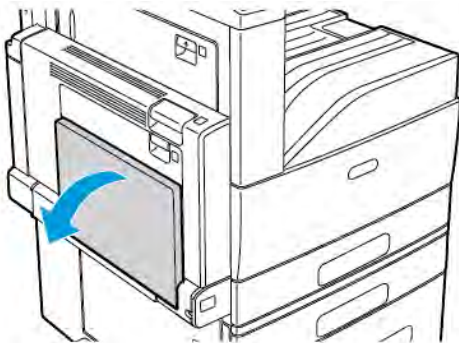
5. At the control panel, select the correct paper size, type, and color:
 - To select a new paper size, touch **Size**.
 - To select a new paper type, touch **Type**.
 - To select a new paper color, touch **Color**.
6. To confirm the settings, touch **Confirm**.

Clearing Jams at Door A

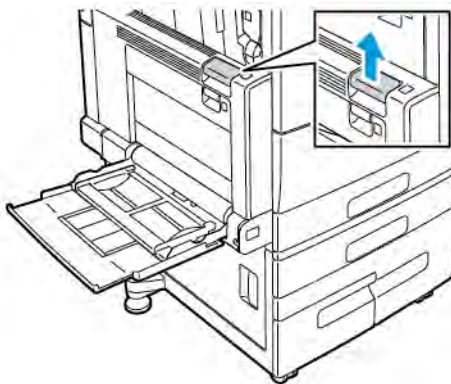
1. Remove paper from the left tray, then close the tray.



2. Open Tray 5 as shown.

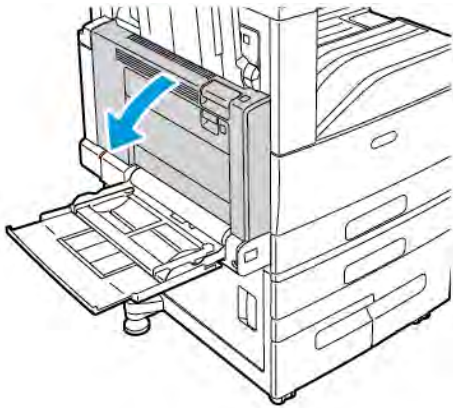


3. Lift the release lever for Door A.



Troubleshooting

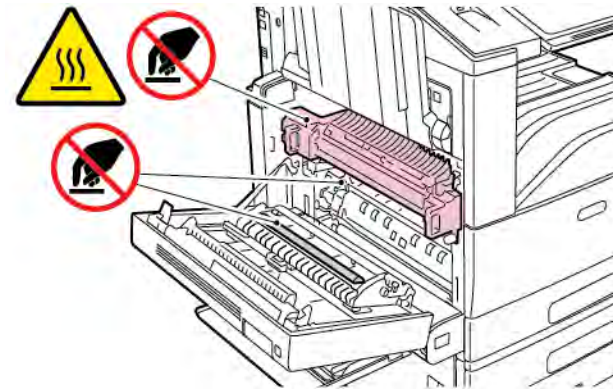
4. Open Door A as shown.



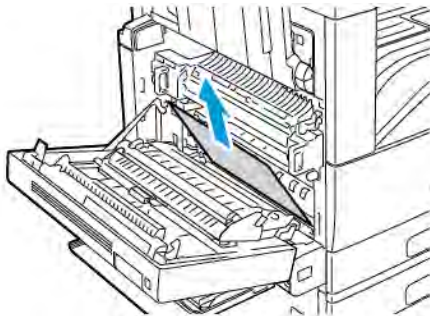
WARNING: The area around the fuser can be hot. Use caution to avoid injury.



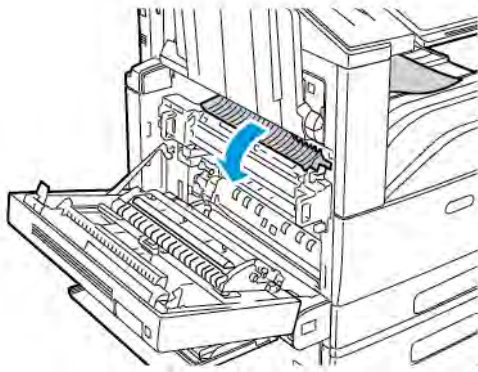
Caution: Do not touch the transfer belt. Touching the belt can reduce image quality or damage the transfer belt. Do not touch the transfer roller. Touching the roller can reduce image quality.



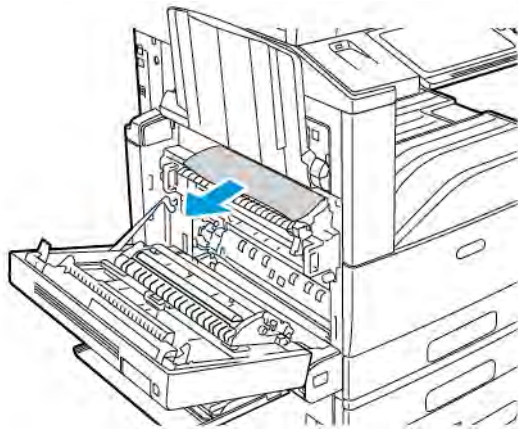
5. Remove the jammed paper.




6. If paper is jammed in the fuser, to open the fuser exit gate, pull the green lever A1.

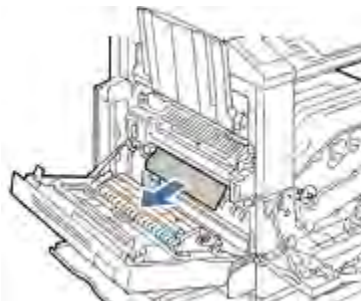


7. Remove the paper as shown.



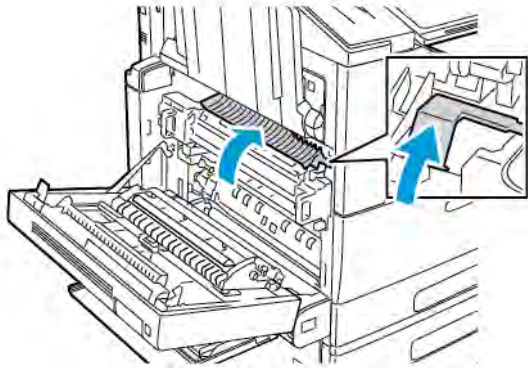
 **Note:** If the paper is torn, remove all torn pieces from the printer.

8. If the paper is jammed at the bottom entry of the fuser, remove it as shown.



Troubleshooting

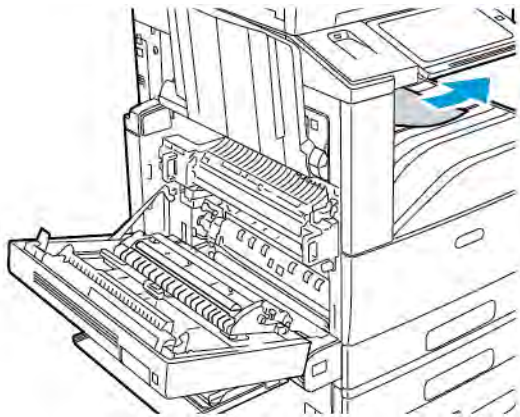
- Return the green lever A1 to its locked position.



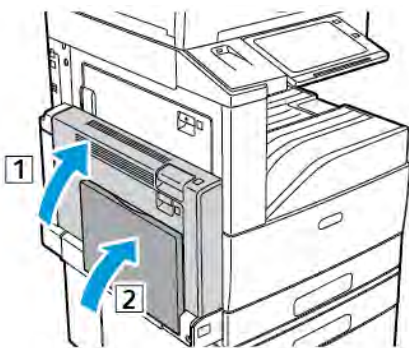
- If the paper is jammed at the exit to the center output tray, pull the paper in the direction shown.



Note: Toner can adhere to the transfer roller. The toner that does adhere to the transfer roller does not affect print quality.

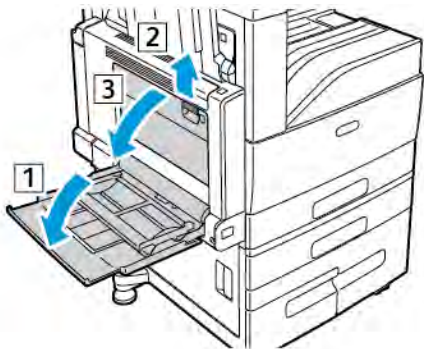


- Close Door A, then close Tray 5.

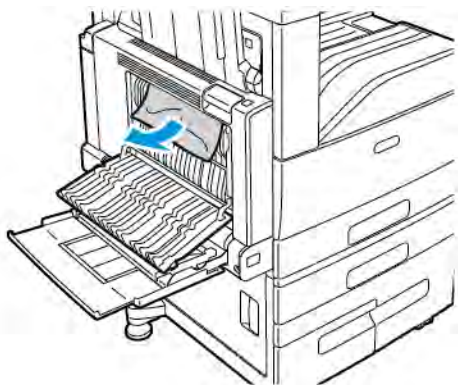


Clearing Jams at Door B

1. To open Door B, open Tray 5, then lift the release lever and open Door B.



2. Remove the jammed paper as shown.

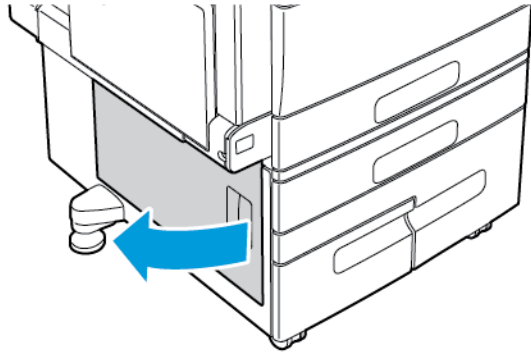


Note: If the paper is torn, remove all torn pieces from the printer.

3. Close door B, then close Tray 5.

Clearing Jams at Door C

1. Pull the release lever and open Door C.



2. Remove the jammed paper from the Door C upper and lower areas.

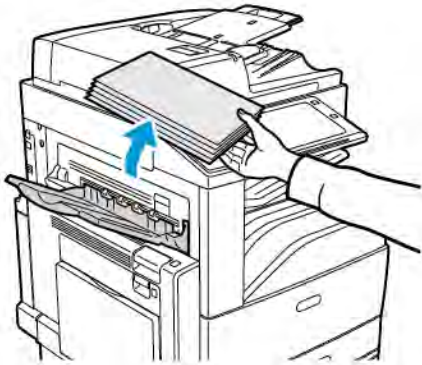


Note:

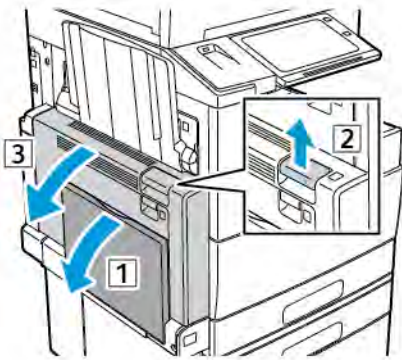
- If the paper is torn, remove all torn pieces from the printer.
 - If the paper is inaccessible, see [Clearing Jams at Door A](#).
3. For paper jammed in the paper tray, open the tray and remove the paper.
 4. Close Door C.

Clearing Jams at Door D

1. Remove paper from the left tray, then close the tray.

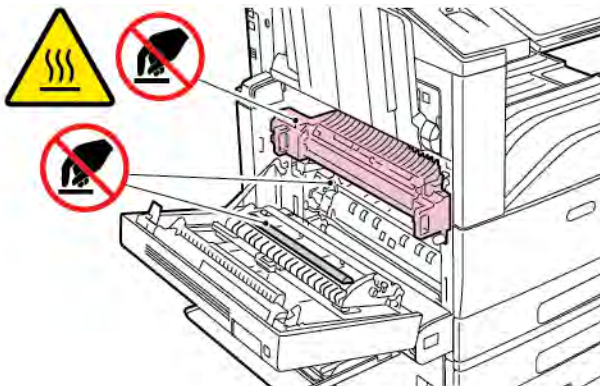


2. To open Door A, open Tray 5, lift the release lever, then open Door A.



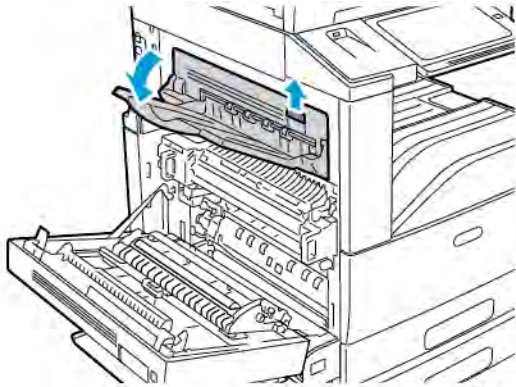
⚠ WARNING: The area around the fuser can be hot. Use caution to avoid injury.

⚠ Caution: Do not touch the transfer belt. Touching the belt can reduce image quality or damage the transfer belt. Do not touch the transfer roller. Touching the roller can reduce image quality.

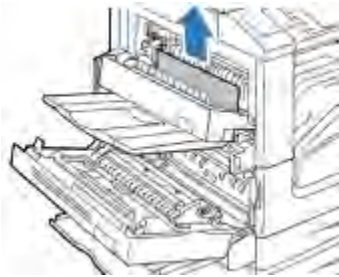


Troubleshooting

3. Open the left tray. To open door D, lift the lever.



4. Remove the jammed paper as shown.



Note: If the paper is torn, remove all torn pieces from the printer.

5. Close Door D.
6. Close Door A, then close Tray 5.

Troubleshooting Paper Jams

Multiple Sheets Pulled Together

Probable Causes	Solutions
The paper tray is too full.	Remove some of the paper. Do not load paper past fill line.
The edges of the paper are not even.	Remove the paper, align the edges, and then reload it.
The paper is moist from humidity.	Remove the paper from the tray, and replace it with new dry paper.
Too much static electricity is present.	<ul style="list-style-type: none">• Try a new ream of paper.• Do not fan transparencies before loading in tray.

Probable Causes	Solutions
Using unsupported paper.	Use only Xerox approved paper. For details, refer to Supported Paper .
Humidity is too high for coated paper.	Feed paper one sheet at a time.

Jams in the Document Feeder

Probable Causes	Solutions
Unsupported paper of the wrong size, thickness, or type.	Use only Xerox-approved paper. For details, see Supported Paper .
Originals are torn, previously stapled, bent, or folded.	Ensure that the originals are not torn, bent, or folded. If previously stapled, remove all staples and separate the sheets by fanning them.
The documents loaded in the document feeder exceed the maximum capacity allowed.	Place fewer documents in the document feeder.
Improperly adjusted document feeder guides.	Adjust the paper guides to fit snugly against the paper loaded in the document feeder.

Paper Misfeeds and Paper Size Jams

Probable Causes	Solutions
The paper is not correctly positioned in the tray.	<ul style="list-style-type: none"> Remove the misfed paper and reposition it properly in the tray. Adjust the paper guides in the tray to match the size of the paper.
The paper tray is too full.	Remove some of the paper. Do not load paper past the fill line.
The paper guides are not correctly adjusted to the paper size.	<ol style="list-style-type: none"> 1 Remove the paper. 2 Adjust the paper guides in the tray to match the size of the paper. 3 Replace the paper.
The tray contains warped or wrinkled paper.	Remove the paper, smooth it out, and reload it. If it still misfeeds, do not use that paper.
The paper is moist from humidity.	Remove the moist paper and replace it with new, dry paper.
Using paper of the wrong size, thickness, or type.	Use only Xerox approved paper. For details, refer to Supported Paper .


Label and Envelope Misfeeds

Probable Causes	Solutions
The label sheet is facing the wrong way in the tray.	<p>Load label sheets according to the instructions from the manufacturer.</p> <ul style="list-style-type: none"> Load labels face up in trays 1–4. Load labels face down in tray 5.
Envelopes are loaded in the wrong tray.	Use tray 5 to print envelopes.

Probable Causes	Solutions
Envelopes are loaded incorrectly in tray 5.	<p>To load envelopes in tray 5:</p> <ul style="list-style-type: none"> • For envelopes with the flap on a long edge, load envelopes with the flaps closed, flaps up, and flaps on the leading edge, toward the right. • For envelopes with the flap on a short edge, load envelopes with the flaps closed, flaps up, and flaps on the leading edge, toward the right. • Load C4 and custom-size envelopes longer than 320 mm (12.6 in.) short-edge feed, with the flaps closed, flaps up, and flaps on the leading edge, toward the right. For custom-size envelopes, define a custom size on the control panel.
Envelopes are loaded incorrectly in the envelope tray.	<p>To load the envelope tray:</p> <ul style="list-style-type: none"> • For envelopes with the flap on a long edge, load envelopes with the flaps closed, flaps down, and the flaps on the left side of the tray. • For envelopes with the flap on a short edge, load envelopes with the flaps closed, flaps down, and the flaps on the left side of the tray.

Paper Jam Message Stays On

Probable Causes	Solutions
Some paper remains jammed in the printer.	Recheck the media path and make sure that you have removed all of the jammed paper.
One of the printer doors is open.	Check the doors on the printer. Close any door that is open.

 **Note:** Check for, and remove, torn pieces of paper in the paper path.

Jams During Automatic 2-Sided Printing

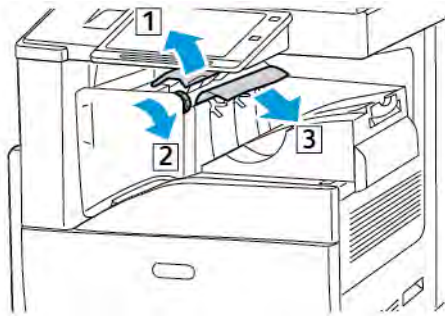
Probable Causes	Solutions
Using paper of the wrong size, thickness, or type.	Use paper of the correct size, thickness, or type. For details, see Supported Paper Sizes and Weights for Automatic 2-Sided Printing .
Paper type is set incorrectly in the print driver.	Ensure that the paper type is set correctly in the driver and that the paper is loaded in the correct tray. For details, see Supported Paper .

Probable Causes	Solutions
Paper is loaded in the wrong tray.	Ensure that paper is loaded into the correct tray. For details, refer to Supported Paper .
Tray is loaded with mixed paper.	Load the tray with only one type and size of paper.

Clearing Finisher Jams

Clearing Jams in the Integrated Office Finisher

1. Locate the Integrated Office Finisher under the scanner and control panel, then open the top cover as shown.
2. Rotate the green knob in the direction shown.
3. To remove the paper, pull it in the direction shown.



Note: If the paper is torn, remove all torn pieces from the printer.

4. Close the top cover of the Integrated Office Finisher.

Clearing Jams in the Office Finisher LX

Clearing Jams Under the Office Finisher Top Cover


1. Pull up the lever on the top cover.

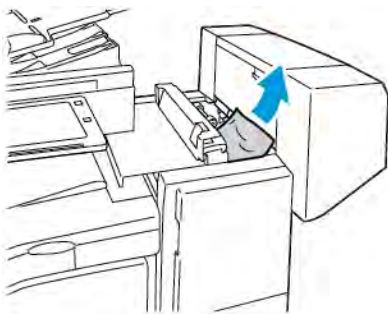


2. Open the top cover by rotating it to the left.



3. Remove the jammed paper.

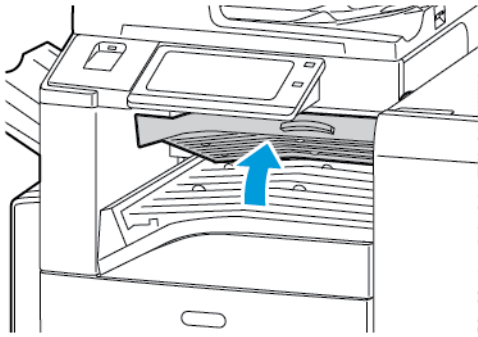
 **Note:** If the paper is torn, remove all torn pieces from the finisher.



4. Close the top cover of the finisher.

Clearing Jams in the Office Finisher LX Transport

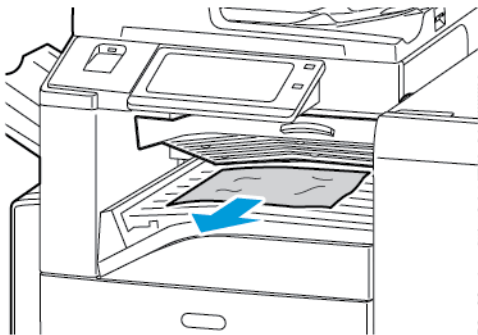
1. Lift the handle of the center tray straight up to open the transport cover.



2. Remove the jammed paper.



Note: If the paper is torn, remove all torn pieces from the finisher.

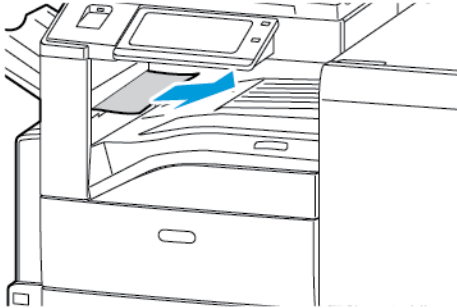


3. Close the transport cover.

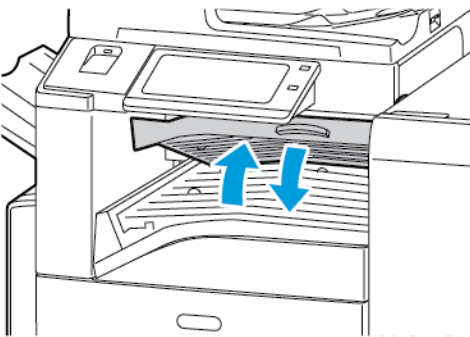
Clearing Jams in the Business Ready Finisher

Clearing Jams in the Center Tray

1. If the paper is jammed at the exit to the center output tray, pull the paper in the direction shown.

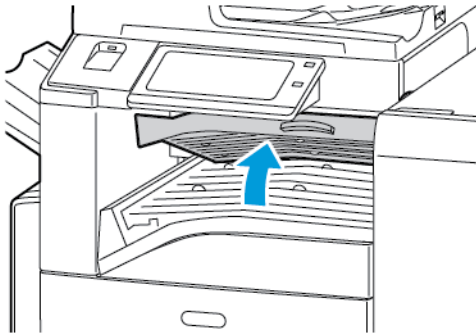


2. Open, then close, the finisher transport cover.




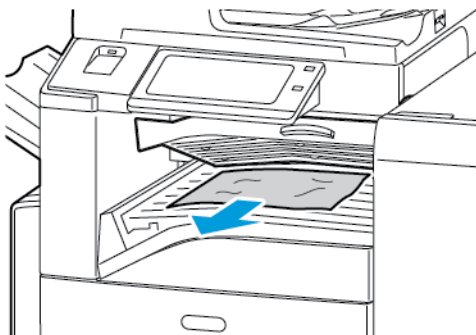
Clearing Jams in the Finisher Transport

1. Open the finisher transport cover.



2. Remove the jammed paper.

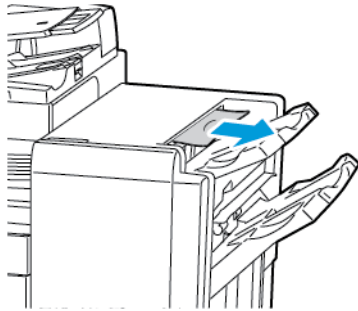
 **Note:** If the paper is torn, remove all torn pieces from the finisher.



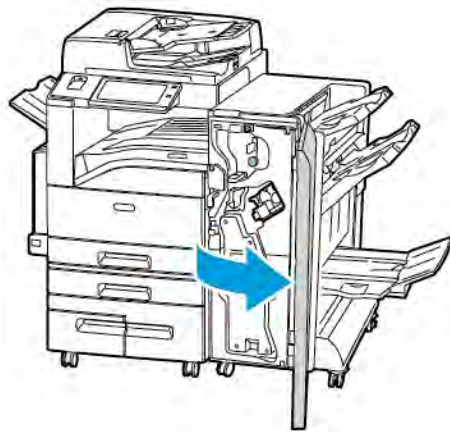
3. Close the finisher transport cover.

Clearing Jams at 3a in the Finisher

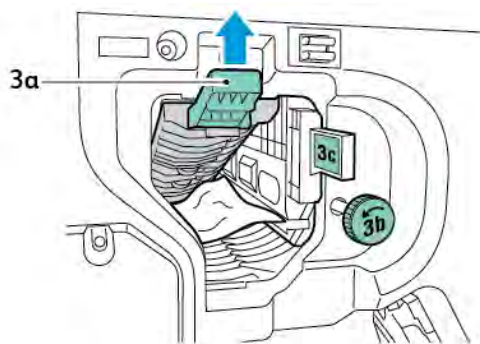
1. If the paper is visible at the output tray exit, remove the paper by pulling it in the direction shown.



2. Open the front door of the Business Ready finisher.




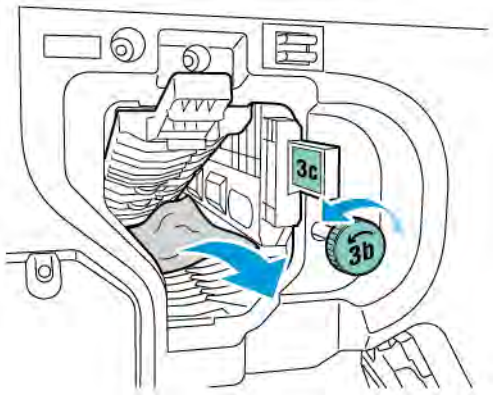
3. Lift green handle 3a.



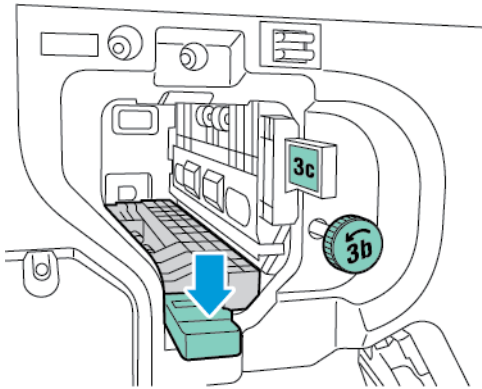
Troubleshooting

- Carefully remove the paper.

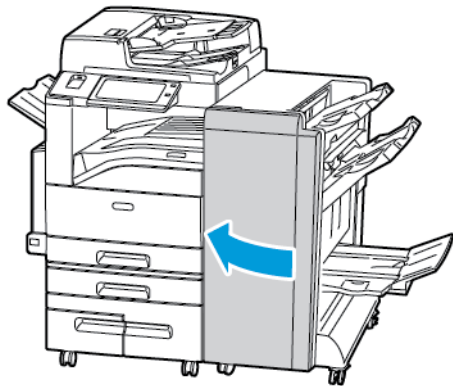
 **Note:** If the paper is torn, remove all torn pieces from the finisher.



- Return green handle 3a to its original position.

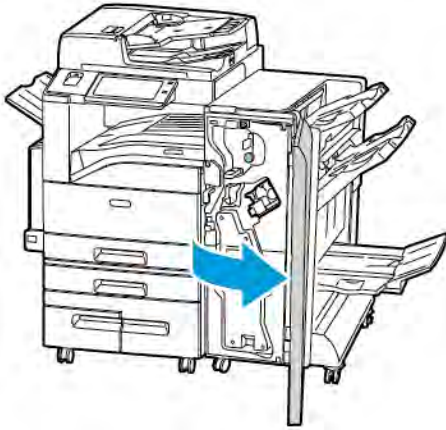


- Close the front door of the Business Ready finisher.

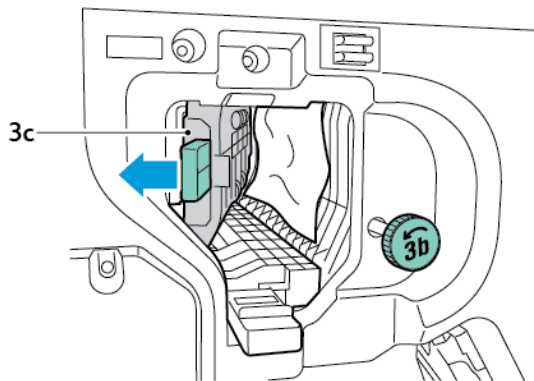


Clearing Jams at 3c in the Finisher

1. Open the front door of the Business Ready finisher.



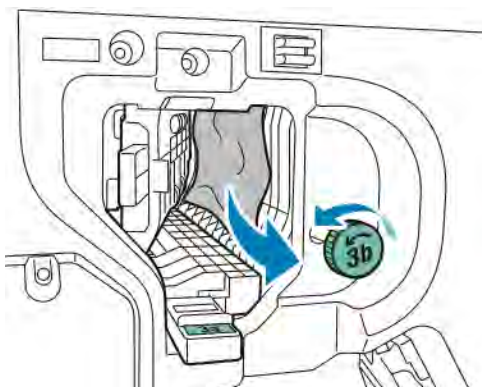
2. Move green lever 3c to the left.



3. Carefully remove the paper.

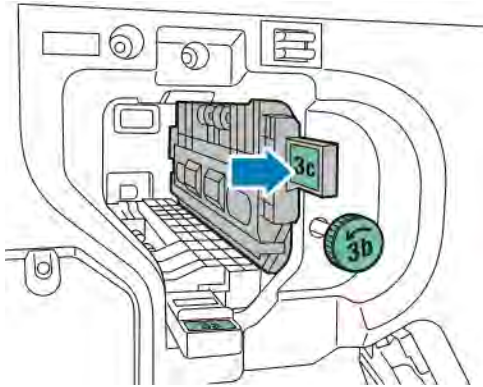
 **Note:**

- If the paper is torn, remove all torn pieces from the finisher.
- If the paper is inaccessible, or if the control panel prompts you, to release the paper, turn green knob 3b in the direction shown.

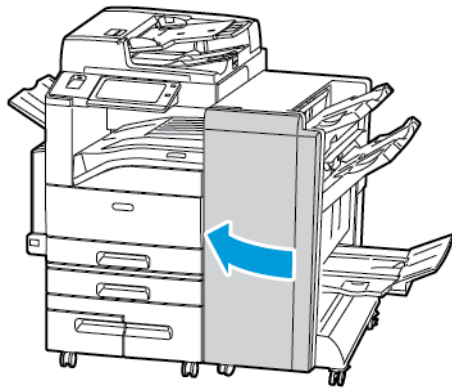


Troubleshooting

- Return green lever 3c to its original position.

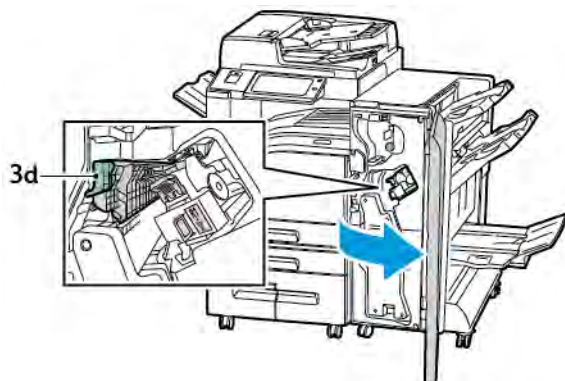


- Close the front door of the Business Ready finisher.

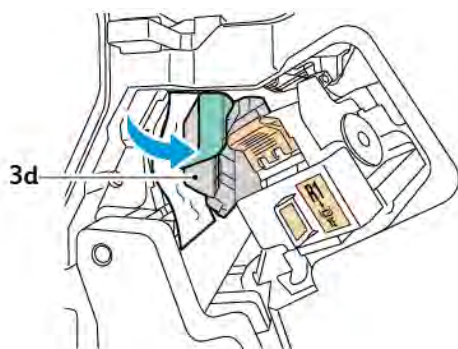


Clearing Jams at 3d in the Finisher


1. Open the front door of the finisher, then locate green lever 3d.

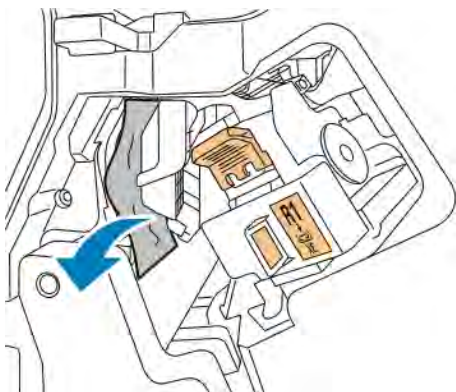


2. Move green lever 3d to the right.



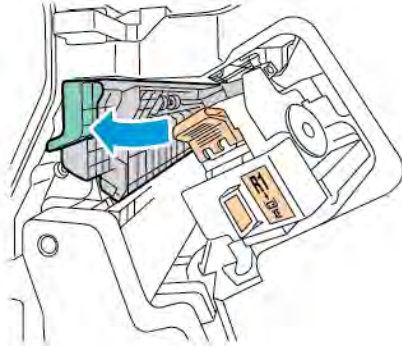
3. Carefully remove the paper.

 **Note:** If the paper is torn, remove all torn pieces from the finisher.

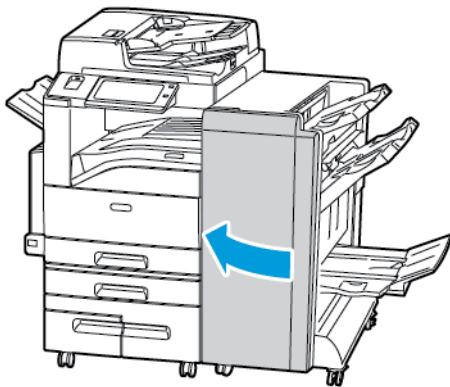


Troubleshooting

4. Return green lever 3d to its original position.

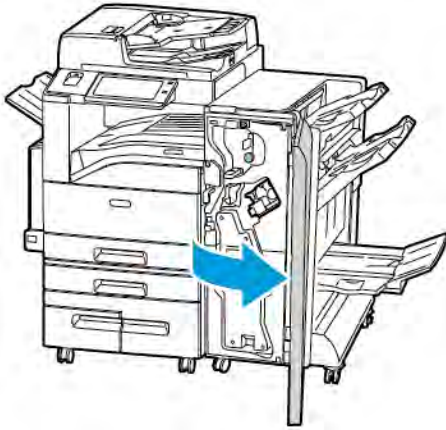


5. Close the front door of the Business Ready finisher.

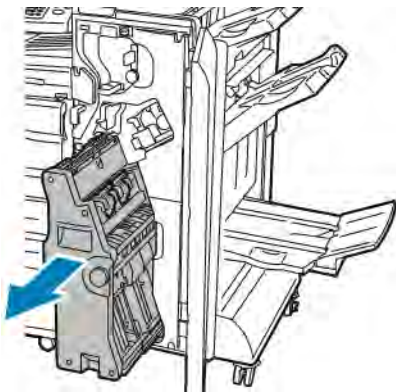


Clearing Jams at 4 in the Finisher


1. Open the front door of the Business Ready finisher.

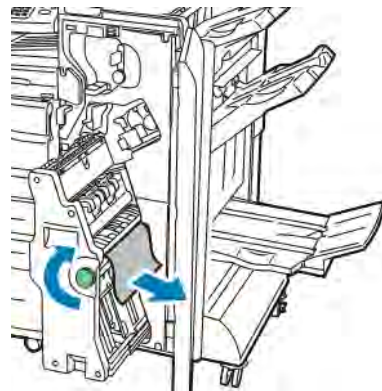
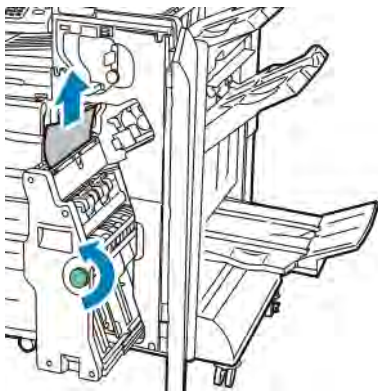


2. Using the green handle, pull out unit 4 until it stops.



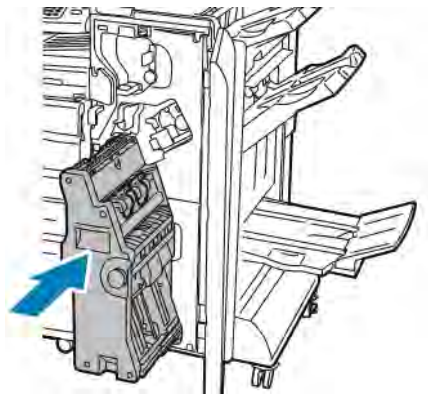
3. To remove the jammed paper, turn green knob 4 in either direction as shown.

 **Note:** If the paper is torn, remove all torn pieces from the finisher.

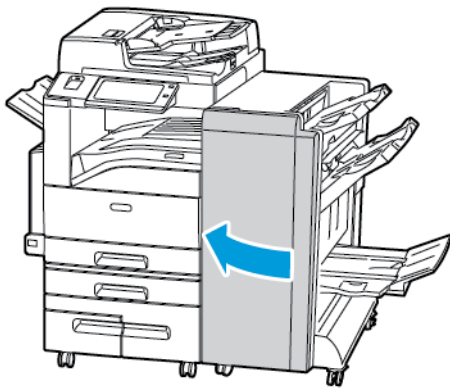


Troubleshooting

- Return unit 4 to its original position.

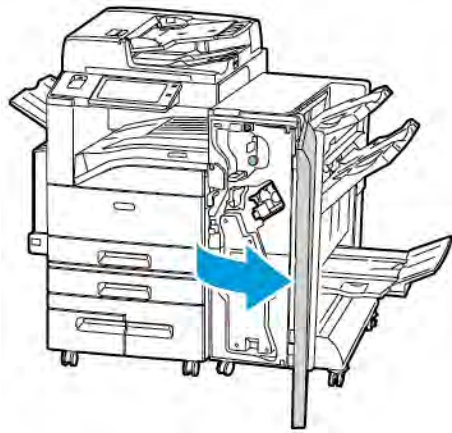


- Close the front door of the Business Ready finisher.

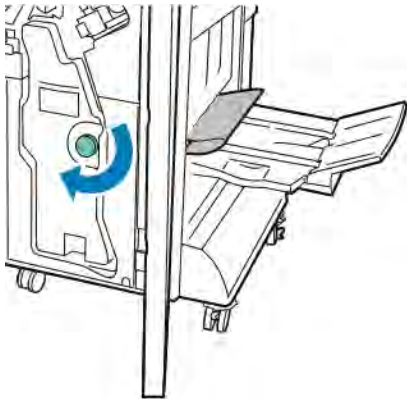


Clearing Jams in the Booklet Tray

1. Open the front door of the Business Ready finisher.




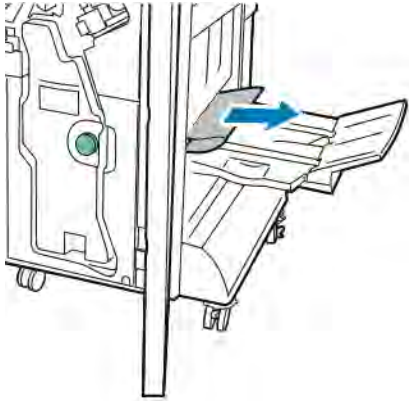
2. To release the jammed paper, turn green knob 4 in the direction shown.



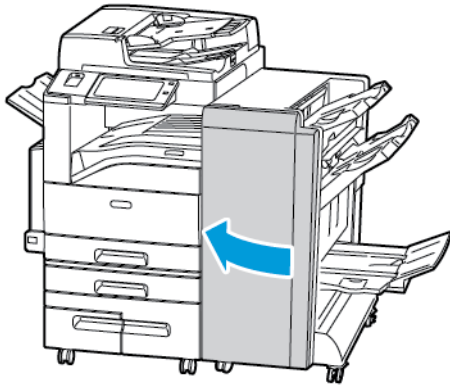
Troubleshooting

3. To remove the paper, pull it in the direction shown.

 **Note:** If the paper is torn, remove all torn pieces from the finisher.



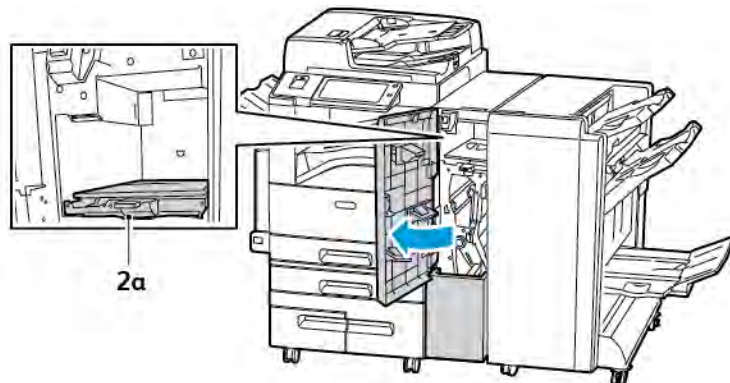
4. Close the front door of the Business Ready finisher.



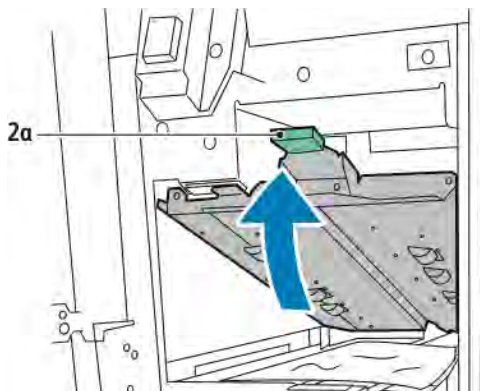
Clearing Jams in the CZ Folder

Clearing Jams at 2a in the CZ Folder

1. Open the front door of the CZ folder.

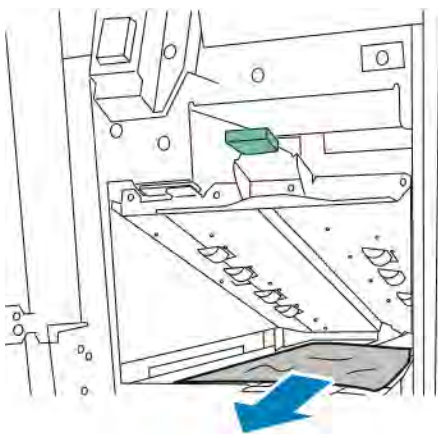


2. Lift green handle 2a.



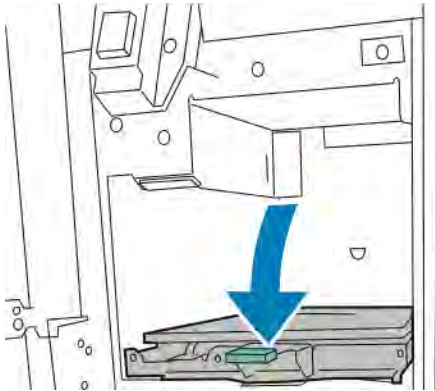
3. Carefully remove the paper.

 **Note:** If the paper is torn, remove all torn pieces from the folder.

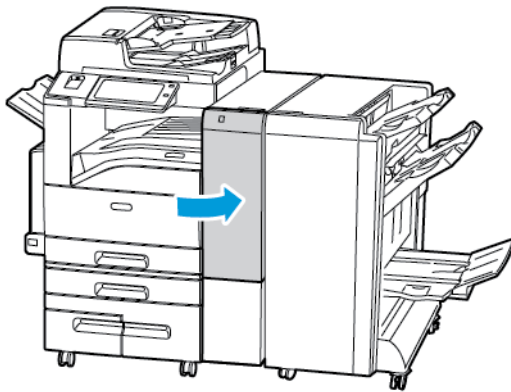


Troubleshooting

4. Return green handle 2a to its original position.

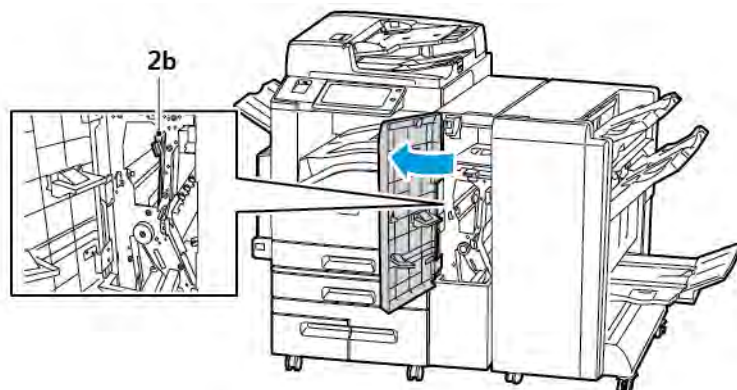


5. Close the front door of the CZ folder.

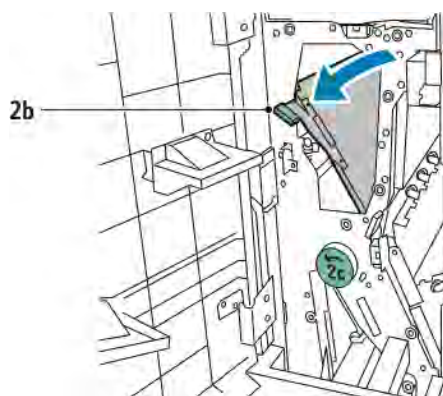


Clearing Jams at 2b in the CZ Folder


1. Open the front door of the CZ folder.

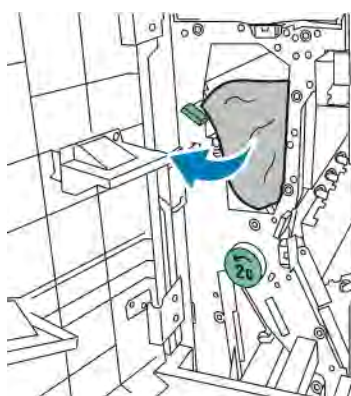


2. Move green lever 2b to the left.



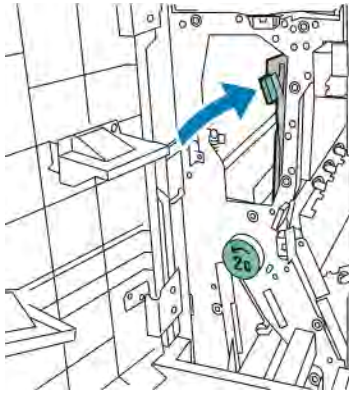
3. Carefully remove the paper.

 **Note:** If the paper is torn, remove all torn pieces from the folder.

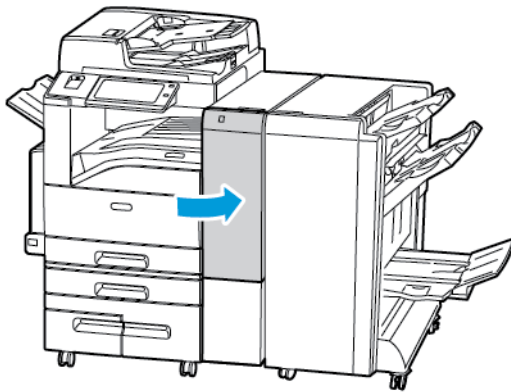


Troubleshooting

- Return lever 2b to its original position.

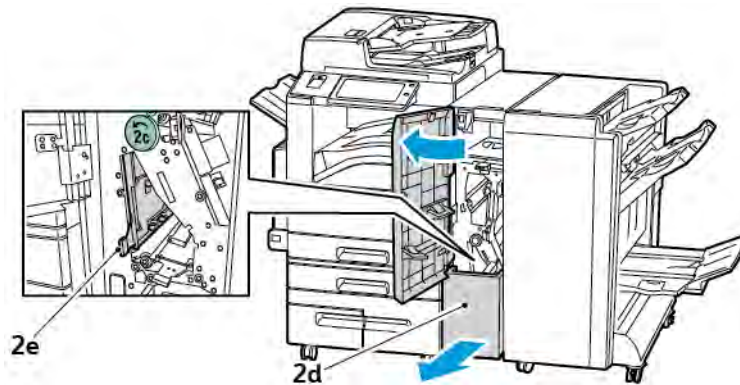


- Close the front door of the CZ folder.

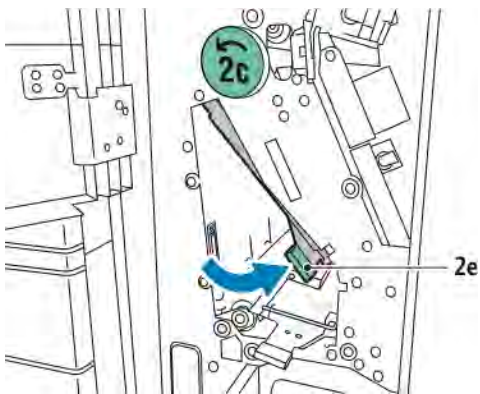


Clearing Jams at 2e in the CZ Folder


1. To access lever 2e, open the front door of the CZ folder, then open the Folder tray 2d.

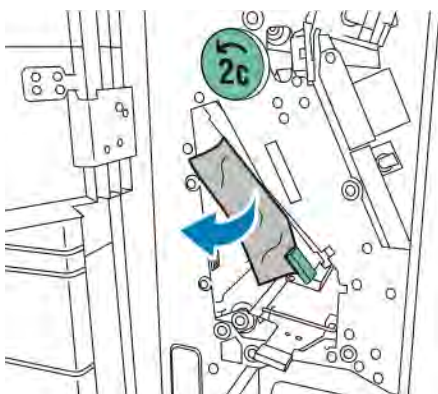


2. Move green lever 2e to the right.



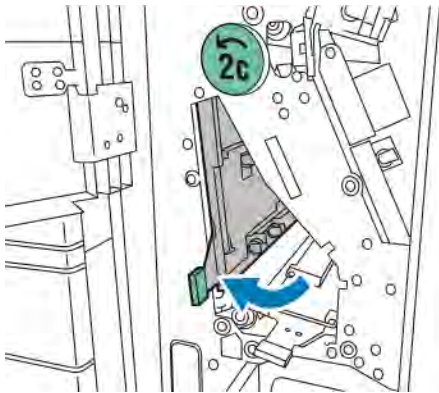
3. Carefully remove the paper.

 **Note:** If the paper is torn, remove all torn pieces from the folder.

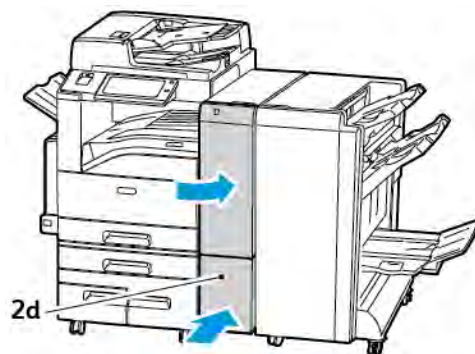


Troubleshooting

- Return green lever 2e to its original position.

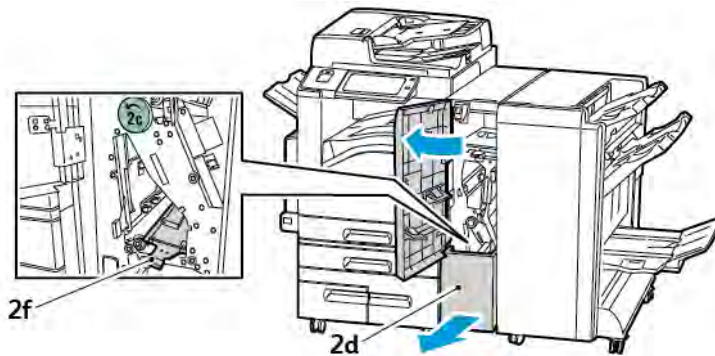


- Close the Folder tray, then close the front door of the CZ folder.

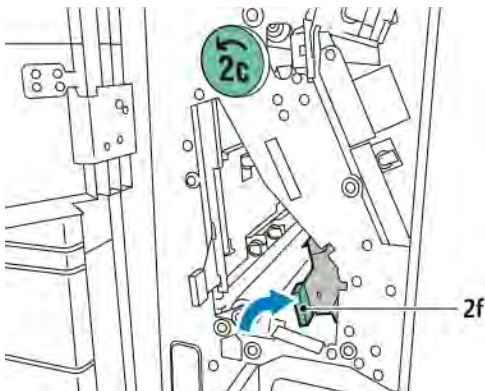


Clearing Jams at 2f in the CZ Folder


1. To access lever 2f, open the front door of the CZ folder, then open the Folder tray 2d.

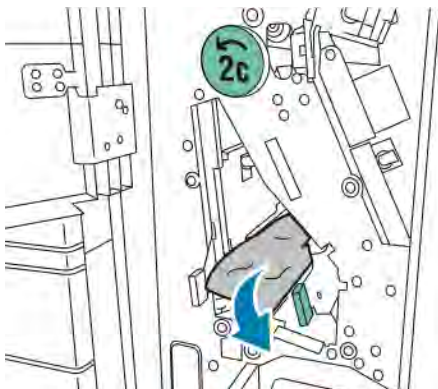


2. Move green lever 2f to the right.



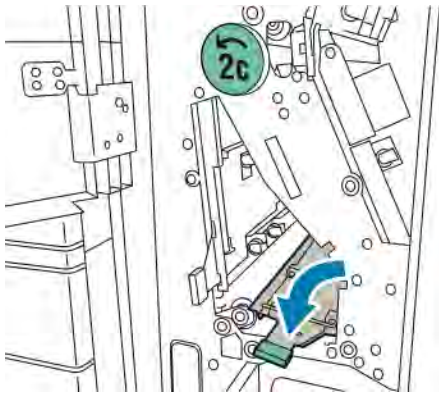
3. Carefully remove the paper.

 **Note:** If the paper is torn, remove all torn pieces from the folder.

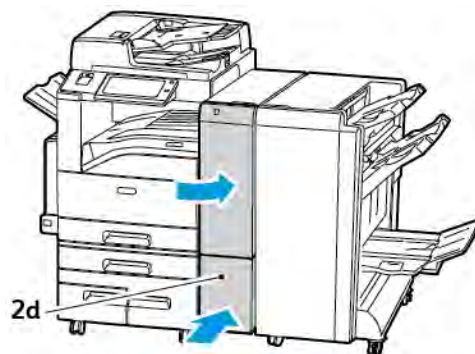


Troubleshooting

- Return green lever 2f to its original position.

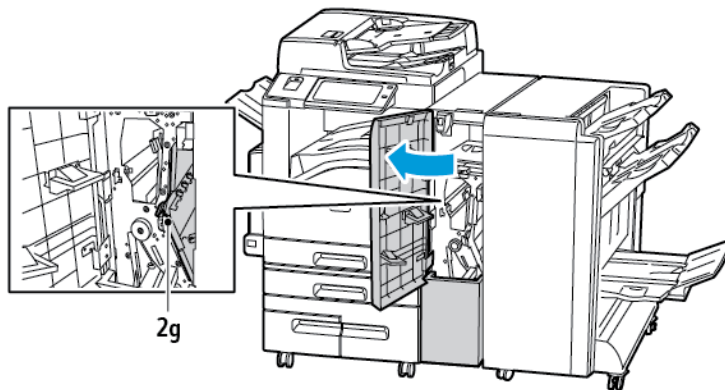


- Close the Folder tray, then close the front door of the CZ folder.

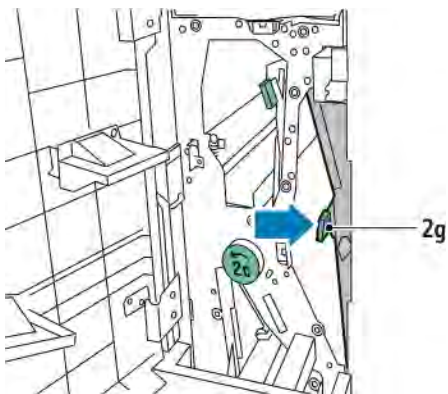


Clearing Jams at 2g in the CZ Folder


1. Open the front door of the CZ folder.



2. Move green lever 2g to the right.



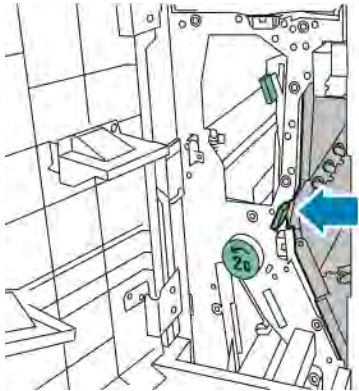
3. Carefully remove the paper.

 **Note:** If the paper is torn, remove all torn pieces from the folder.

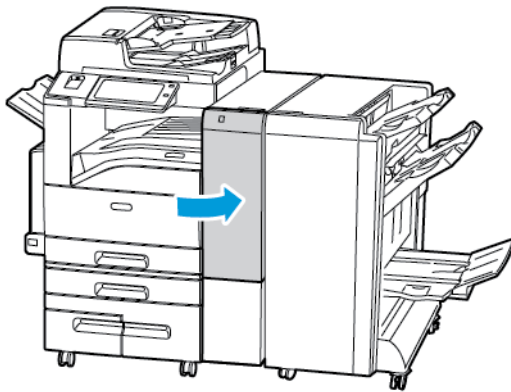


Troubleshooting

- Return green lever 2g to its original position.



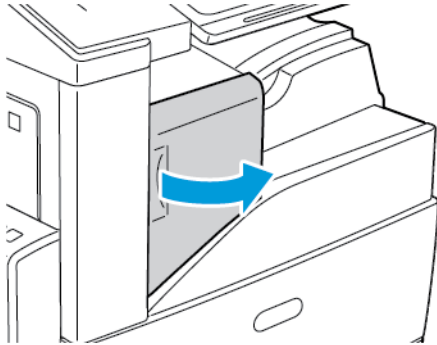
- Close the front door of the CZ folder.



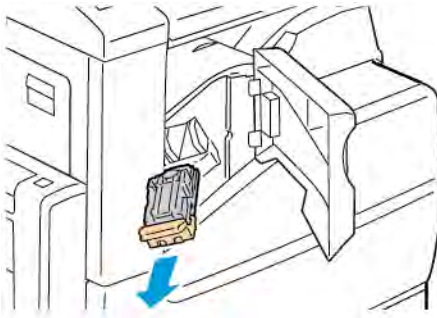
Clearing Staple Jams

Clearing Staple Jams in the Integrated Office Finisher

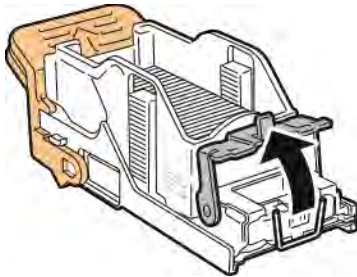
1. Open the finisher front door.



2. To remove the staple cartridge, grasp the orange handle, then pull it firmly toward you.

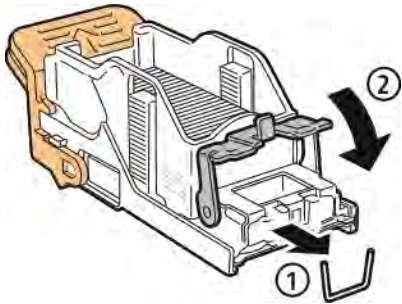


3. Check inside the finisher for any loose staples and remove them.
4. Pull the staple cartridge clamp firmly in the direction shown to open it.



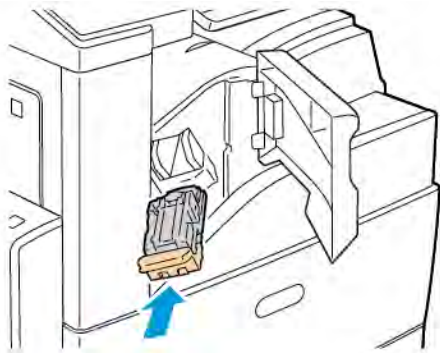
Troubleshooting

5. Remove the jammed staples, then push the clamp in the direction shown until it snaps into the locked position.

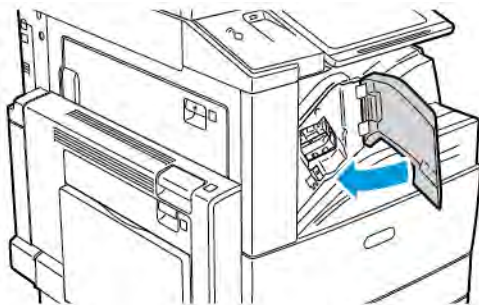


⚠ WARNING: The points of the jammed staples are sharp. Remove the jammed staples carefully.


6. Grasp the staple cartridge by the orange handle, then insert the cartridge into the stapler until it clicks.



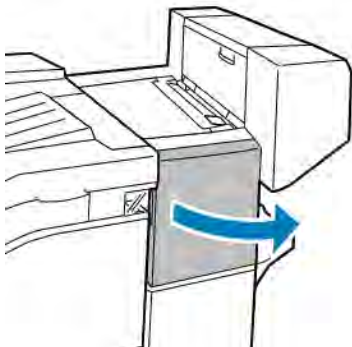
7. Close the finisher front door.



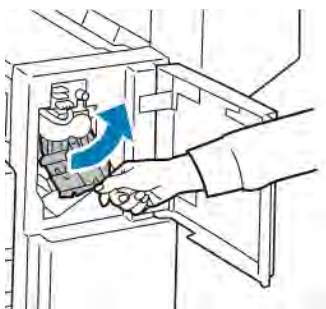
Clearing Staple Jams in the Office Finisher LX

 **WARNING:** Do not perform this procedure while the printer is printing.

1. Open the front door of the Office Finisher.



2. Reach into the finisher cabinet and pull the stapler assembly toward you until it stops.
3. Push the stapler assembly to the right as shown.



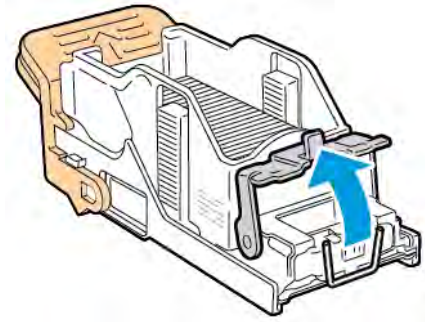
4. Grip the staple cartridge by the orange handle and pull it firmly toward you to remove it.




5. Check inside the finisher for any loose staples and remove them.

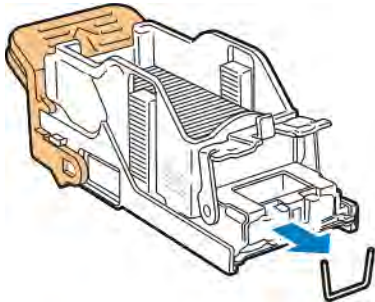
Troubleshooting

6. Pull the staple cartridge clamp firmly in the direction shown to open it.

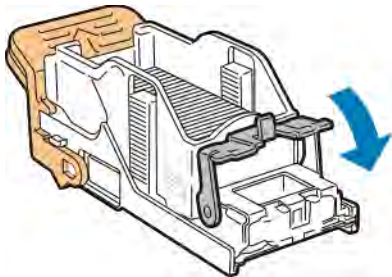


7. Remove the jammed staples by pulling them in the direction shown.

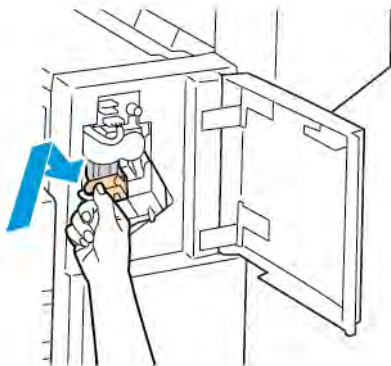
 **WARNING:** The points of the jammed staples are sharp. Remove the jammed staples carefully.



8. Push the clamp in the direction shown until it snaps into the locked position.




9. Grip the staple cartridge by the orange handle and insert it into the stapler assembly. Push it in until it clicks.

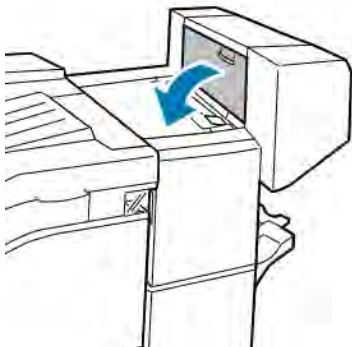


10. Close the front door of the Office Finisher.

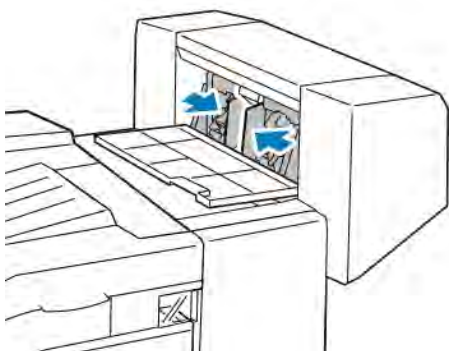
Clearing Booklet Staple Jams in the Office Finisher LX

 **WARNING:** Do not perform this procedure while the printer is printing.

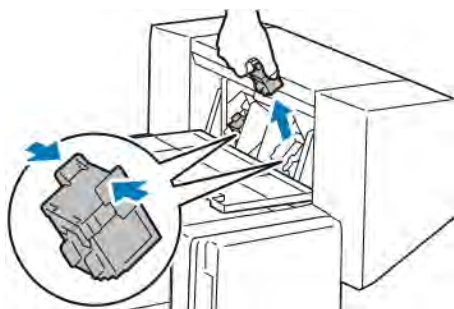
1. Open the side cover of the Office Finisher.



2. If the staple cartridges are not visible, grip the vertical panels at the left and right of the opening and slide them to the center.




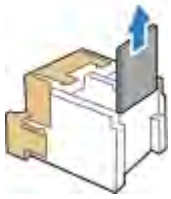
3. Hold the tabs on both sides of the staple cartridge and pull the cartridge out of the finisher.




Troubleshooting

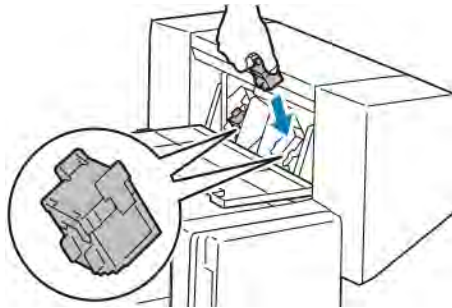
4. Remove the jammed staples by pulling them in the direction shown.


 **WARNING:** The points of the jammed staples are sharp. Remove the jammed staples carefully.



5. Hold the tabs on both sides of the staple cartridge and insert it into the original position in the finisher.

 **Note:** If you have trouble inserting the cartridge, ensure that the staples are positioned correctly in the cartridge.

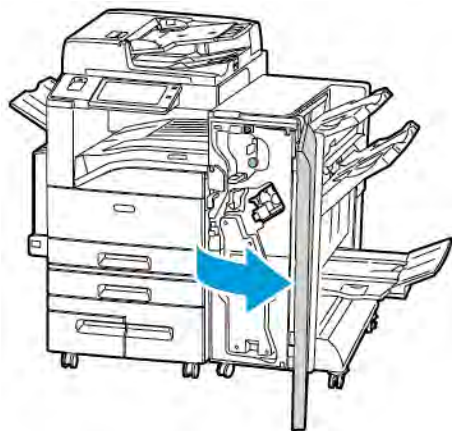


 **Note:** The booklet maker uses two staple cartridges. Booklet stapling requires that both staple cartridges contain staples.

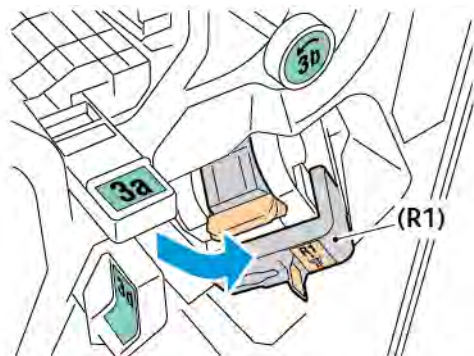
6. Starting at Step 2, repeat the procedure for the other staple cartridge.
7. Close the side cover of the Office Finisher.

Clearing Main Staple Jams in the Business Ready Finisher

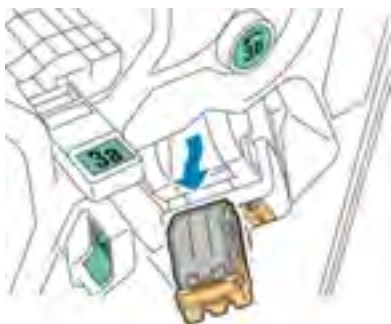
1. Open the front door of the Business Ready Finisher.



2. Locate and hold the stapler assembly by the orange lever R1, then push it to the right.

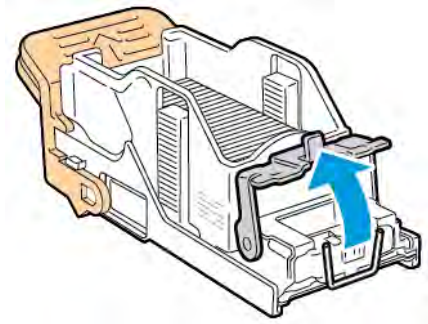


3. To remove the staple cartridge, grasp the orange handle, then pull it firmly toward you.

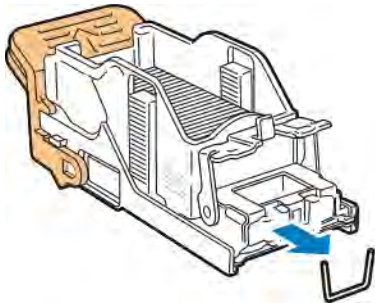



Troubleshooting

4. Pull the staple cartridge clamp firmly in the direction shown to open it.

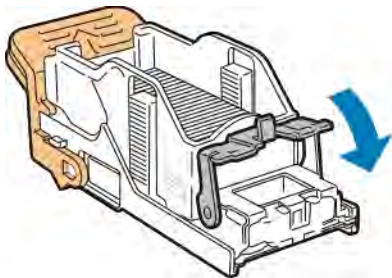


5. Remove the jammed staples.

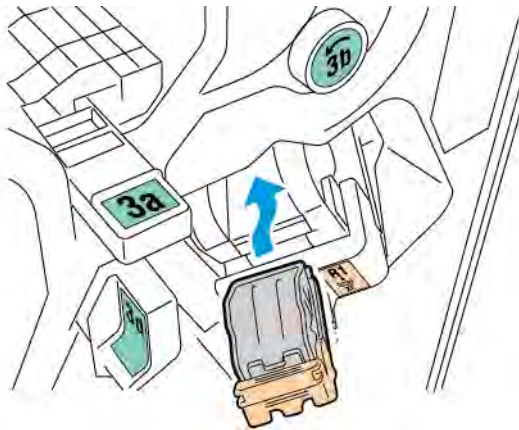


 **WARNING:** The points of the jammed staples are sharp. Remove the jammed staples carefully.

6. To close the staple clamp, push the clamp in the direction shown until it snaps into the locked position.



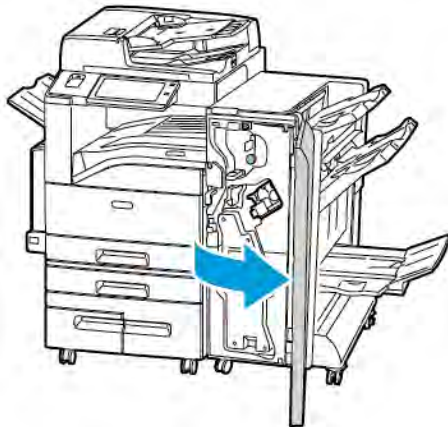
7. Grasp the staple cartridge by the orange handle, then insert the cartridge into the stapler assembly until it clicks.



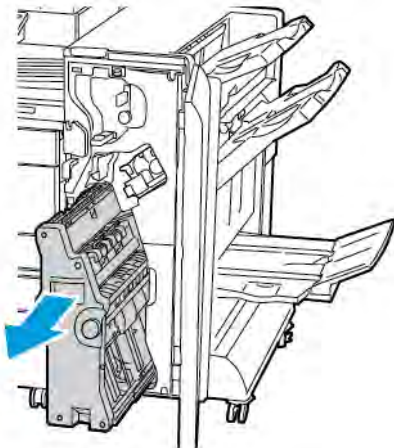
8. Return the staple cartridge assembly to its original position, then close the finisher door.

Clearing Staple Jams in the Business Ready Finisher Booklet Maker

1. Open the front door of the Business Ready finisher.

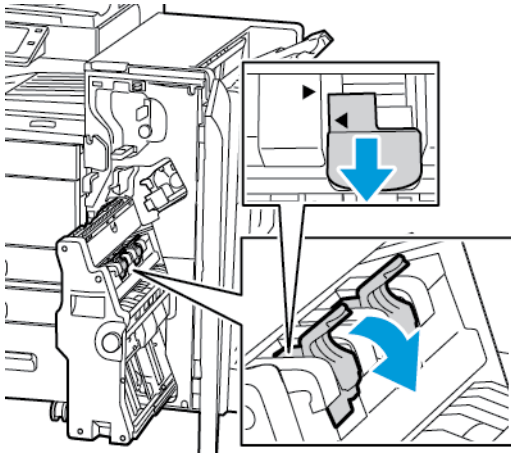


2. Grasp the booklet maker handle and pull the unit toward you until the staple cartridges appear on the top edge of the device.

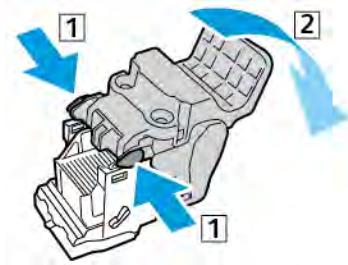



Troubleshooting

3. To remove a staple cartridge from the booklet maker, push down on the staple cartridge handle, as shown, then pull the cartridge out and up.

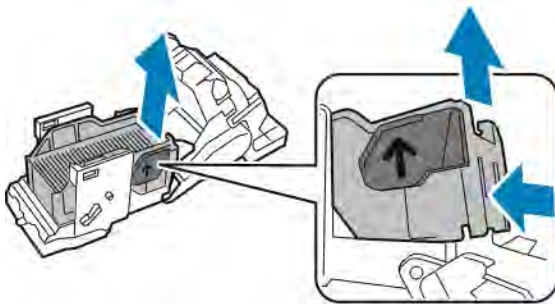


4. Turn over the staple cartridge.
5. To permit the staple cartridge handle to open out and away from the staple pack, press in the green tabs, then pull back the handle.



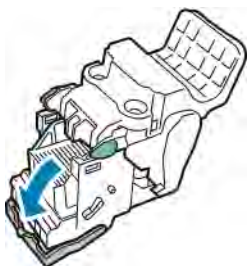
 **Note:** If you do not see the staple jam, remove the staple case.

6. To remove the staple case, press the rear of the case as shown.

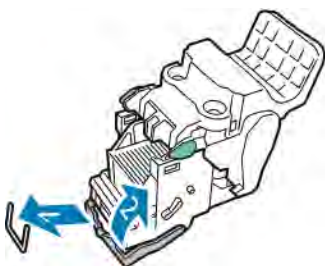


 **Note:** If you can see the staple jam, open the staple cartridge clamp.

- To open to the staple cartridge, pull it firmly in the direction shown.



⚠ WARNING: The points of the jammed staples are sharp. Remove the jammed staples carefully.



- Remove the jammed staples, then push the clamp in the direction shown until it snaps into the locked position.
- Return the staple cartridge to the booklet maker, then return the booklet maker to its original position.

Clearing Hole Punch Jams

Clearing Hole Punch Jams in Office Finisher LX

If the printer stops printing and reports a hole-punch jam, empty the hole-punch waste container. For details, refer to [Emptying the Hole Punch Waste Container](#).

After emptying the hole-punch waste container, locate and remove any paper jams.

Print, Copy, and Scan Problems

Identifying Print, Copy, and Scan Problems

Problems with the output quality of your printer can be a print-related, copy-related, or scan-related problem. A quick test can help you to identify where a problem lies.

To identify if a problem is print-related or scan-related, do the following:

1. Print the *Getting Started* guide.
 - a. At the printer control panel, press the **Home** button.
 - b. Touch **Device**, then touch **Information Pages**.
 - c. Touch **Getting Started**, then touch **Print**.
 - d. To return to the Home screen, press the **Home** button.
2. Check the quality of the printed output.
3. If the print quality appears poor, the problem is print-related. Check for the symptom in the Solving Print Quality Problems table.
4. If the print quality is good, the problem is likely to be scanner-related.
 - a. Copy the *Getting Started* guide that you have printed.
 - b. Check the quality of the copy output.
 - c. For any symptom of poor print quality, refer to the Copy and Scan Problems table.

Print-Quality Problems

Your printer is designed to produce consistently high-quality prints. If you observe print-quality problems, use the information in this section to troubleshoot the problem. For more information, go to www.xerox.com/support/ALC80XXsupport.

 **Caution:** The Xerox Warranty, Service Agreement, or Xerox Total Satisfaction Guarantee does not cover damage caused by using unsupported paper or specialty media. The Xerox Total Satisfaction Guarantee is available in the United States and Canada. Coverage could vary outside these areas. Contact your local Xerox representative for details.

 **Note:**

- To ensure consistent print quality, the toner, print, and drum cartridges for many devices are designed to cease functioning at a predetermined point.
- Grayscale images printed with the composite black setting increment the color pages counter, because color consumables are used. Composite black is the default setting on most printers.


Controlling Print Quality

Various factors can affect the quality of the output of your printer. For consistent and optimum print quality, use paper designed for your printer, and correctly set the Print-Quality Mode and Color Adjustments. Follow the guidelines in this section to maintain optimum print quality from your printer.

Temperature and humidity affect the quality of the printed output. For details, see [Environmental Specifications](#).

Paper and Media

Your printer is designed to use various paper and other media types. Follow the guidelines in this section for the best print quality and to avoid jams:

- Use only Xerox approved paper. For details, refer to [Supported Paper](#).
- Use only dry, undamaged paper.
-  **Caution:** Some paper and other media types can cause poor output quality, increased paper jams, or damage your printer. Do not use the following:
 - Rough or porous paper
 - Inkjet paper
 - Non-laser glossy or coated paper
 - Paper that has been photocopied
 - Paper that has been folded or wrinkled
 - Paper with cutouts or perforations
 - Stapled paper
 - Envelopes with windows, metal clasps, side seams, or adhesives with release strips
 - Padded envelopes
 - Plastic media
 - Iron-on transfer paper
- Ensure the paper type selected in your print driver matches the paper type on which you are printing.
- If you have the same size paper loaded in more than one tray, ensure that the proper tray is selected in the print driver.
- Do not load more than one type, size, or weight of paper in the tray at a time.
- Store your paper and other media properly for optimum print quality. For details, refer to [Paper Storage Guidelines](#).

Print-Quality Modes

Select the correct print-quality setting for your print job from the print driver. For instructions on setting the print quality, see [Printing](#). To control the print quality:

- Use the print-quality settings in the print driver to control print quality. If the print quality is not suitable, adjust the print-quality setting to a higher level.
- Use only Xerox approved paper. For details, refer to [Supported Paper](#).


Color Corrections and Color Adjustments

For best printing results of mixed text, graphics, and images on a range of supported paper, set the Color Correction to Xerox Automatic Color. For instructions on setting the Color Correction, refer to [Image Options](#). Follow these guidelines to control the Color Corrections and Color Adjustments:

- For best results on most paper, ensure that the Color Correction in the print driver is set to **Xerox Automatic Color**. This is the recommended setting.
- To produce more vivid results, select a mode of Color Correction. For example, when printing graphics in which the sky does not look blue enough, for a more vibrant blue sky, select **Vivid Color**.
- To match the color output to another output device, select a custom Color Correction.
- To apply different Color Corrections to Text and Graphics and Images, select **Custom Automatic Color**. This feature provides custom color corrections using color systems such as RGB Color, CMYK Color, Spot Color, or CIE Color.
- To adjust particular characteristics of the printed color, such as Lightness, Contrast, Saturation, and Color Casts, select **Color Adjustments**.

Solving Print-Quality Problems

Your printer is designed to produce consistently high-quality prints. If you observe print-quality problems, use the information in this section to troubleshoot the problem. For more information, go to www.xerox.com/support/ALC80XXsupport.

 **Caution:** The Xerox Warranty, Service Agreement, or Xerox Total Satisfaction Guarantee does not cover damage caused by using unsupported paper or specialty media. The Xerox Total Satisfaction Guarantee is available in the United States and Canada. Coverage could vary outside these areas. Please contact your local representative for details.

 **Note:** To enhance the print quality, toner/print/drum cartridges for many models of equipment are designed to cease functioning at a predetermined point.

Printing the Troubleshooting Print-Quality Pages

1. At the printer control panel, press the **Home** button.
2. Touch **Device**.
3. Touch **Information Pages**.
4. To print procedures on resolving print-quality problems, touch **Troubleshooting Print Quality Page**, then touch **Print**.
5. Compare your print-quality problems to the examples on the pages.

Eliminating the Paper or Media as the Problem

Damaged or unsupported paper or media can cause print-quality problems even when the printer, application, and print driver are working perfectly. Use the following guidelines to eliminate the paper as the source of the print-quality problem:

- Make sure that the printer supports the paper or media.
- Make sure that the printer is loaded with undamaged, dry paper.
- If the condition of the paper or media is in doubt, replace it with new paper or media.

- Make sure that you have the proper tray selected in the print driver and from the control panel.
- Make sure that you have the correct paper type selected in the print driver and in the control panel of the printer.

Isolating the Problem to the Printer or to the Application


When you are sure that the paper is supported and in good condition, use the following steps to isolate the problem:

1. From the control panel of the printer, print the pages for Diagnosing Print Quality. For details, see [Printing the Troubleshooting Print-Quality Pages](#).
 - If the pages printed properly, the printer is working properly and the print-quality problem is an application, print driver, or print server problem.
 - If the pages still have print-quality problems, the problem is in the printer.
2. If the pages printed properly, see [Troubleshooting Print-Quality Problems in the Application, Print Driver, or Print Server](#).
3. If the pages still had print-quality issues, or did not print, see [Troubleshooting Print-Quality Problems in the Printer](#).

Troubleshooting Print-Quality Problems in the Application, Print Driver, or Print Server

If the printer is printing properly from the control panel but you still have print-quality problems, the application, print driver, or print server could be the cause.

To isolate the problem:

1. Print a similar document from another application and look for the same print-quality problems.
2. If the document has the same print-quality problem, it is probably a print driver or print server problem. Check the print driver used for the print job.
 - a. Navigate to the list of printers on your computer:
 - For Windows Server 2008 and later, click **Start**→**Settings**→**Printers**.
 - For Windows 7, click **Start**→**Devices and Printers**.
 - For Windows 8, click **Start**→**Control Panel**→**Devices and Printers**.
 - For Windows 10, click the **Windows Start**→**Settings**→**Devices**→**Printers & Scanners**. Scroll to Related settings, then click **Devices and printers**.
 - b.  **Note:** If you are using a custom Start Menu application, it can change the navigation path to your list of printers.
 - b. Right-click on the name of the printer.
 - c. From the drop-down list, select **Properties**.
 - Ensure that the model name in the middle of the driver matches the model name of the printer.
 - If the names do not match, install the proper print driver for the printer.
3. If the print driver is correct, to set the Print Quality Mode and Color Correction, refer to [Printing Features](#).
 - Set the Print-Quality mode to Standard or Enhanced.
 - Set the Color Correction to Xerox® Automatic Color.

Troubleshooting

4. If the problem persists, delete then reinstall the print driver.
5. If the document printed without a print-quality problem, the application is probably the cause. Restart your printer, restart the application, then print the document again. For more information, see [Restarting, Placing in Sleep Mode, or Powering Off the Printer](#).
6. If the problem still persists, ensure that you are not printing through a print server. If the problem persists, for online support information, go to www.xerox.com/support/ALC80XXsupport.

Troubleshooting Print-Quality Problems in the Printer

If you have print-quality problems when printing a Demo Page or the Configuration Report from the control panel, the problem is in the printer.

To find the source of the problem:

1. At the control panel, print the Troubleshooting Print-Quality Pages. For details, see [Printing the Troubleshooting Print-Quality Pages](#).
2. If the prints are too light to see print details, verify the following:
 - The printer is loaded with undamaged, dry supported paper.
 - The toner levels of one or more of the toner cartridges is not too low.
3. If the pages are printed with a solid color, one or more of the drum cartridges could be defective. Correct the problem before continuing.
4. If the colors of the pages do not match your expectations, run the control panel Print Calibration.
5. Compare the print-quality problems in your document to each of the examples in the Troubleshooting Print-Quality Pages.

If you find a match in the Troubleshooting Print-Quality Pages, look in the Solutions column for the action to take to resolve the problem.


If the problem persists, for online support information, go to www.xerox.com/support/ALC80XXsupport.




Performing the Print Calibration Procedure






1. At the printer control panel, press the **Home** button.
2. Touch **Device**.
3. Touch **Tools**.
4. Touch **Troubleshooting** → **Calibration** → **Print Calibration** → **Next**.
5. Follow the onscreen instructions to run the Print Calibration procedure.

Print-Quality Problems and Solutions

Use the following table to find solutions to print-quality problems.

 **Note:** At the printer control panel, press the **Home** button. Touch **Device**→**Information Pages**→**Troubleshooting Print Quality Page**→**Print**.

Problem	Solution
<p>Smears, Smudges, and Streaks</p> <p>Dark or light marks appear on your output.</p> 	<p>Run a print job consisting of several blank pages through the printer to remove toner accumulated on the fuser.</p> <p>If the problem persists, print the test pages to help determine which component is causing the image-quality problem.</p> <ul style="list-style-type: none"> • If the defect occurs in one color only, replace the corresponding imaging unit. • If the defect occurs in all colors and is visible on all the test pages, replace the fuser.
<p>Repeating Spots or Lines</p> <p>Spot or lines appear at regular intervals on the prints.</p> 	<ol style="list-style-type: none"> 1 To identify the part of the printer that is causing the problem, print the Repeating Defects page. At the control panel, press the Home button, then touch Device→Tools→Troubleshooting→Support Pages→Repeating Defects Page→Print. 2 To identify the part responsible for the repeating spots or lines, follow the instructions on the Repeating Defects page. 3 To correct the problem, replace the printer part identified on the Repeating Defects page.
<p>Colors Look Wrong</p> <p>Colors are off or look drastically wrong.</p> 	<ol style="list-style-type: none"> 1 Verify that the printer is on a solid, level, and flat surface. 2 Perform the Print Calibration procedure. At the control panel, press the Home button, then touch Device→Tools→Troubleshooting→Calibration→Print Calibration→Next, then follow the instructions.
<p>Colors Too Light or Too Dark</p> <p>The print or color density is too light, missing, or the background is foggy.</p>	<ol style="list-style-type: none"> 1 Verify that the paper you are using is the correct type for the printer and is loaded properly. For details, see Supported Paper. 2 Verify that the paper loaded in the tray matches the paper type selected at the control panel and in the print driver. 3 To print procedures on resolving print-quality problems, at the control panel, press the Home button. Touch Device→Information Pages→Troubleshooting Print Quality Page→Print.

Problem	Solution
	<p>If the Color Reference page looks correct, the printer is printing properly. Your application or incorrect settings in the print driver can be causing the print-quality problems.</p> <p>4 If the Color Reference page did not print correctly, perform the Print Calibration procedure. At the control panel, press the Home button, then touch Device→Tools→Troubleshooting→Calibration→Print Calibration→Next, then follow the instructions.</p>
<p>Vertical White Lines or Streaks - One Color</p> <p>Lines or streaks appear in one color of your output.</p> 	<ol style="list-style-type: none"> 1 Print the test pages to identify the affected color. 2 To clean the printhead lenses for the affected color, pull out the cleaning rod until it stops, then move it all the way in. Repeat three more times. Then repeat this procedure for each affected color. For details, see Cleaning the Printhead Lenses. <p> Note: To print procedures on resolving print-quality problems, at the control panel, press the Home button, then touch Device→Information Pages→Troubleshooting Print Quality Page→Print.</p>
<p>Toner Missing or Easy to Rub Off</p> <p>Toner appears to be missing from the print or is easy to rub off.</p> 	<ol style="list-style-type: none"> 1 Verify that the paper you are using is the correct type for the printer and is loaded properly. For details, see Supported Paper. 2 Perform the Print Calibration procedure. At the control panel, press the Home button, then touch Device→Tools→Troubleshooting→Calibration→Print Calibration→Next, then follow the instructions. 3 At the control panel, select a heavier paper. <p> Note: Papers from lightest to heaviest are:</p> <ul style="list-style-type: none"> • For uncoated paper: Plain, Lightweight Cardstock, Cardstock, and Heavyweight Cardstock • For coated paper: Lightweight Glossy Cardstock, Glossy Cardstock, and Heavyweight Glossy Cardstock.

Copy and Scan Problems


If the copy or scan quality is poor, refer to the following table.

Symptoms	Solutions
Lines or streaks only present in copies made from the document feeder.	There is debris on the document glass. When scanning, the paper from the document feeder passes over the debris, creating lines or streaks. Clean all glass surfaces with a lint-free cloth.
Spots present in copies taken from the document glass.	There is debris on the document glass. When scanning, the debris creates a spot on the image. Clean all glass surfaces with a lint-free cloth.
The reverse side of the original document is showing on the copy or scan.	Turn on Background Suppression.
Image is too light or too dark.	Adjust the Lighten/Darken or Contrast settings.
Colors are inaccurate.	Copy: Adjust the Color Balance settings. Scan: Confirm the correct Original Type is set.

If the problem persists, for online support information, go to www.xerox.com/support/ALC80XXsupport.

Fax Problems

If your printer cannot send and receive faxes, ensure that the printer is connected to an approved analog telephone line. The fax machine cannot send or receive faxes when it is connected directly to a digital telephone line without the use of an analog filter.

 **Note:** If the fax connection is poor, transmit the fax at a lower rate. For the Starting Rate, select **Forced** (4800 bps).

Problems Sending Faxes

Symptoms	Probable Causes	Solutions
The document is not feeding properly through the document feeder.	The document is too thick, too thin, or too small.	Use the document glass.
The document is scanned at an angle.	The document feeder width guides are not adjusted to fit the width of the document.	Adjust the document feeder width guides so that they fit against the document.
The fax received by the recipient is blurry.	The document is positioned incorrectly.	Position the document correctly.
	The document glass is dirty.	Clean the document glass.
	The text in the document is too light.	Adjust the resolution. Adjust the contrast.
	There is a problem with the telephone connection.	Verify that the telephone line is working, then send the fax again.
	There is a problem with one of the fax machines.	Make a copy to verify that the printer can make clean copies and prints. If the copy prints correctly, have the recipient verify that their fax machine is operating correctly.
The fax received by the recipient is blank.	The document was loaded incorrectly.	If using the document feeder, place the original document face up. If using the document glass, place the original document face down.
Fax was not transmitted.	The fax number is wrong.	Verify the fax number.
	The telephone line is connected incorrectly.	Verify the telephone line connection. If the telephone line is disconnected, connect it.

Symptoms	Probable Causes	Solutions
	There is a problem with the fax machine of the recipient.	Contact the recipient.
	The fax feature is not installed or is not enabled.	Ensure that the fax feature is installed and enabled.
	Server fax is enabled.	Ensure that server fax is disabled.
	An access number is required to connect to an outside line.	If the printer is connected to a PBX system, it could be necessary to enter a number to access the outside telephone line.
	The fax number needs a pause between the prefix for an outside line and the telephone number.	To insert a pause, touch the Dial Pause button. A comma (,) appears in the corresponding location.

If the problem persists, for online support information, go to www.xerox.com/support/ALC80XXsupport.

Problems Receiving Faxes

Symptoms	Probable Causes	Solutions
The fax received by the recipient is blank.	There is a problem with the telephone connection or with the fax machine of the sender.	Verify that the printer can make clean copies. If it can, have the sender fax the document again.
	The sender loaded the pages incorrectly.	Contact the sender.
The printer answers the call but does not print the fax.	The memory is full.	To increase available memory, delete stored jobs and wait for the existing jobs to complete.
The received fax size is reduced in size.	The paper supply in the printer does not match the document size sent.	Confirm the original size of the documents, then load the appropriate paper size in the printer.
Faxes are not received automatically.	The printer is set to receive faxes manually.	Set the printer to receive faxes automatically.
	The memory is full.	If the printer is out of paper, faxes and print jobs can deplete the printer of memory. Load paper

Symptoms	Probable Causes	Solutions
		and print the jobs stored in the memory.
	The telephone line is connected incorrectly.	Verify the telephone line connection. If the telephone line is disconnected, connect it.
	There is a problem with the fax machine of the sender.	Make a copy to verify that the printer can make clean copies and prints. If the copy prints correctly, have the recipient verify that their fax machine is operating correctly.

If the problem persists, for online support information, go to www.xerox.com/support/ALC80XXsupport.

Printing Fax Reports

You can print the following fax reports from the printer control panel:

- Activity Report
- Protocol Report
- Fax Address Book Report
- Options Report
- Pending Jobs Report

To print a fax report:

1. At the printer control panel, press the **Home** button.
2. Touch **Device**.
3. Touch **Tools**.
4. Touch **App Settings** → **Fax App**.
5. Touch **Print Fax Reports**.
6. Touch the required report, then touch **Print**.
7. To return to the Device screen, touch **X**, then touch **X** again.
8. To return to the Home screen, press the **Home** button.

If the Print Fax Reports feature does not appear, contact your system administrator or refer to the *System Administrator Guide* at www.xerox.com/support/ALC80XXdocs.

Getting Help

Xerox provides several automatic diagnostic utilities to help you maintain productivity and print quality.

Viewing Error and Alert Messages on the Control Panel

When an error or warning condition occurs, the printer alerts you of the problem. A message appears on the control panel and the LED status light on the control panel flashes amber or red. Alerts inform you about printer conditions, such as low supplies or open doors that require your attention. Error messages warn you about printer conditions that prevent the printer from printing or degrade printing performance. If more than one condition occurs, only one appears on the control panel.

To view a complete list of active error and alert messages:

1. At the printer control panel, press the **Home** button.
2. Touch **Device**.
3. Touch **Notifications**.
4. Touch **Faults & Alerts, Alerts, or Faults**.
5. To view details, touch a fault or alert.
6. To exit the Notifications screen, touch **X**.
7. To return to the Home screen, press the **Home** button.

Viewing the Error History on the Control Panel

When errors occur on the device, they are logged into an error history file by date, time, and associated fault code. You can use this list to identify trends and resolve problems.

To view the error history:

1. At the printer control panel, press the **Home** button.
2. Touch **Device**.
3. Touch **Notifications**.
4. Touch **Fault History**.
5. To exit, touch **X**.
6. To exit the Notifications screen, touch **X**.
7. To return to the Home screen, press the **Home** button.

The Embedded Web Server

The Embedded Web Server is the administration and configuration software that is installed in the printer. It allows System Administrators to modify network and system settings on the printer remotely using a Web browser.

You can check the status of the printer, monitor paper and supply levels, and submit and track print jobs. All these functions can be accessed from the convenience of your computer.

Troubleshooting

The Embedded Web Server requires:

- A TCP/IP connection between the printer and the network in Windows, Macintosh, UNIX, or Linux environments.
- TCP/IP and HTTP enabled in the printer.
- A network-connected computer with a Web browser that supports JavaScript.

Online Support Assistant

The Online Support Assistant is a knowledge base that provides instructions and troubleshooting help to solve your printer problems. You can find solutions for print-quality problems, paper jams, software installation issues, and more.

To access the Online Support Assistant, go to www.xerox.com/support/ALC80XXsupport.

Information Pages

Your printer has a set of information pages that you can print. These pages include configuration and font information, demonstration pages, and more.

To print an information page, select an option, then touch **Print**.

The following Information Pages are available:

Name	Description
Configuration Report	The Configuration Report provides printer information including the serial number, installed options, network settings, port setup, tray information, and more.
Billing Summary	The Billing Summary Report provides information about the device and a detailed listing of the billing meters and sheet counts.
Getting Started	The Getting Started guide provides an overview of the key features of the printer.
Troubleshooting Print Quality Page	The Troubleshooting Print Quality Page provides a list of common print-quality problems and tips to help solve them.
Supplies Usage Page	The Supplies Usage Page provides coverage information and part numbers for reordering supplies.
Graphics Demo Page	Print this page to check the quality of graphics.

Name	Description
PCL Font List	The PCL Font List provides a printout of all PCL fonts that are available on the printer.
PostScript Font List	The PostScript Font List provides a printout of all PostScript fonts that are available on the printer.

More Information

You can obtain more information about your printer from these sources:

Resource	Location
Installation Guide	Packaged with the printer.
Getting Started guide	Print from the control panel. For details, refer to Information Pages .
Other documentation for your printer	www.xerox.com/support/ALC80XXdocs
Recommended Media List	United States: www.xerox.com/rmlna European Union: www.xerox.com/rmleu
Technical support information for your printer, including online technical support, Online Support Assistant, and print driver downloads.	www.xerox.com/support/ALC80XXsupport
Information Pages	Print from the control panel. For details, refer to Information Pages .
Embedded Web Server information	In the Embedded Web Server, click Help .
Order supplies for your printer	www.xerox.com/supplies
A resource for tools and information, including interactive tutorials, printing templates, helpful tips, and customized features to meet your individual needs.	www.xerox.com/businessresourcecenter
Local sales and Technical Customer Support	www.xerox.com/worldcontacts
Printer registration	www.xerox.com/register
Xerox® Direct online store	www.direct.xerox.com/

Locating the Serial Number

When you order supplies or contact Xerox for assistance, you need the serial number of your device. You can obtain the serial number in several ways. To locate the serial number, print the Configuration Report. You can view the serial number on the control panel or on the Embedded Web Server home page. The serial number is printed on a label that is affixed to the printer. To view the label, open the left side door.

For details on how to print the Configuration Report, refer to [Information Pages](#).

To view the serial number on the control panel:

1. At the printer control panel, press the **Home** button.
2. Touch **Device**.
3. Touch **About**.

The model, serial number, and software version is displayed.

4. To return to the Home screen, press the **Home** button.

A

Specifications

This appendix contains:

- [Printer Configurations and Options](#) 322
- [Physical Specifications](#) 326
- [Environmental Specifications](#) 330
- [Electrical Specifications](#)..... 331
- [Performance Specifications](#) 332
- [Environmental, Health, and Safety Contact Information](#)..... 333

Printer Configurations and Options

Standard Features

The printer provides the following features:

- Copy, Print, Email, Scan, Internet Fax, and Server Fax
- Scan to USB and Print from USB mass storage devices
- Scan to Mailbox, Scan to Network, Scan to Home, Single Touch Scan
- Searchable PDF, Single/Multiple-Page PDF / XPS / TIFF, Encrypted / Password-Protected PDF, and Linearized PDF / PDF/A file formats
- Copy speed of up to 70 ppm for color or black and white on A4 (210 x 297 mm) or Letter (8.5 x 11 in.) paper
- 1200 x 2400 dpi HiQ LED imaging and copying quality
- Copy document sizes up to A3/11 x 17 in.
- Print document size, with short-edge feed, up to SRA3/12 x 19 in.
- Automatic 2-sided printing
- Duplex Automatic Document Feeder
- Color touch screen control panel
- Trays 1–2 each with 520-sheet capacities
- Tray 5 with 100-sheet capacity
- Three-Tray module (Trays 2–4) each with 520-sheet capacities
- High Capacity Tandem Tray (Trays 3–4) with total 2000 A4/Letter sheet capacity
- 2-GByte memory plus 1-GByte page memory
- Internal 250-GByte hard drive
- Ethernet 10/100/1000Base-TX
- High-Speed USB 2.0 direct print
- Adobe PostScript and PCL fonts and support
- Xerox® Mobile Express Driver®, Xerox® Global Print Driver®, and Xerox® Pull Print Driver support
- Automated supplies replenishment and management using Xerox® MeterAssistant®, Xerox® SuppliesAssistant®, and MaintenanceAssistant
- Remote driver installation
- Remote Control Panel and Configuration Cloning
- Bonjour, SSDP, and SAP device discovery
- Unified Address Book
- Xerox® Standard Accounting
- Encrypted Secure Print, Secure Fax, Secure Scan, Secure Email
- McAfee data security

- HDD Overwrite, AES 256-bit Encryption (FIPS 140-2 compliant), SHA-256 Hash Message Authentication
- Xerox® Extensible Interface Platform
- Xerox® Earth Smart Driver Settings
- Embedded Web Server
- Xerox® CentreWare® Web
- Email Alerts
- Support for mobile printing, mobile printing connectivity, and mobile Apps
- Xerox® App Gallery supported
- Xerox® Copier Assistant
- NFC printing
- Support for Mopria
- Support for AirPrint
- Support for Google Cloud Print™

Options and Upgrades

- Integrated Office Finisher
- Office Finisher LX
- Booklet Maker for Office Finisher LX
- Hole Punch for Office Finisher LX
- Business Ready Finisher with 2/3 or 2/4 hole punch
- Business Ready Booklet Maker Finisher with 2/3 or 2/4 hole punch
- CZ folder for Business Ready Finisher or Business Booklet Maker Finisher
- Swedish Hole Punch
- Envelope tray
- High-Capacity Feeder (Tray 6) with 2000-sheet capacity
- Convenience stapler and work surface
- One-Line and Dual-Line Fax Kits
- Fax forward to Email or SMB
- EFI™ Fiery® Network Server
- Embedded PDL support for XPS
- Xerox Secure Access Unified ID System
- Xerox® Common Access Card Enablement Kit
- Xerox® Network Accounting Enablement
- Wireless Network Adapter
- Wi-Fi Direct with optional Wireless Network Adapter

Specifications

- Foreign Device Interface
- McAfee Integrity Control Enablement Kit and McAfee enhanced security features
- XPS Print Option Kit
- Smart Card Enablement Kit
- Xerox® Integrated RFID Card Reader E1.0
- Unicode print
- Xerox® Scan to PC Desktop® Professional

Finishing Options

Output Device	Capacity	Sizes	Weights	Finishing Options
Left Tray	100 sheets	All supported sizes	All supported weights	NA
Stacking Tray	250 sheets	All supported sizes	All supported weights	NA
Integrated Office Finisher	Stacking: 500 sheets A4, 8.5 x 11 in. or 250 sheets A3, 11 x 17 in.	89 x 98 mm to A3 7.2 x 8.3 in. to 11 x 17 in.	60–256 g/m ²	Single stapling: 50 sheets A4, 8.5 x 11 in. or 30 sheets of 80 g/m ² Legal, B4, A3, 11 x 17 in.
Office Finisher LX	Stacking: 2000 sheets unstapled, 1000 sheets single-stapled, or 250 sheets dual-stapled	182 x 210 mm to A3 3.5 x 3.9 in. to 11 x 17 in.	60–256 g/m ²	Multiple-position stapling: 50 sheets Hole Punch: Optional 2–3 or 2–4 Hole Punch
Office Finisher LX with Booklet Maker	Stacking: 2000 sheets unstapled, 1000 sheets single-stapled, or 250 sheets dual-stapled	182 x 210 mm to A3 3.5 x 3.9 in. to 11 x 17 in.	60–256 g/m ²	Multiple-position stapling: 50 sheets Hole Punch: Optional 2–3 or 2–4 Hole Punch
	Booklet Tray: 40 booklets, 2–15 sheets per booklet	A4 SEF (Short-Edge Feed), Letter SEF, B4 SEF, Legal SEF, A3 SEF, 11 x 17 in. SEF		Saddle-stapling: 2–15 sheets of 60–90 g/m ² Score/Crease: 1–15 sheets unstapled
Business Ready Finisher	Top Tray: 500 sheets	Stacking: A6–A3 4.25 x 5.85 in. to 11 x 17 in. Stapling: B5–A3	60–300 g/m ²	Single-position and multiple-position stapling: 50 sheets

Output Device	Capacity	Sizes	Weights	Finishing Options
	Stacking: 3000 sheets unstapled, 200 sets single-position stapled or 100 sets multiple-position stapled sheets, dual-stapled	7.25 x 10.5 in. to 11 x 17 in.		Hole Punch: Optional 2–3, 2–4, or Swedish 4-Hole Punch
Business Ready Finisher with Booklet Maker	Offset Catch Tray: 500 sheets	Stacking: A6–A3 4.25 x 5.85 in. to 11 x 17 in.	60–300 g/m ²	Single-position and multiple-position stapling: 50 sheets Hole Punch: Optional 2–3, 2–4, or Swedish 4-Hole Punch
	Stacking: 1500 sheets unstapled, 200 sets single-position, dual, or 4-position stapled or 100 stapled sets A3 or 11 x 17 in.	Stapling: B5–A3 7.25 x 10.5 in. to 11 x 17 in.		
CZ Fold Unit	40 sheets	C-Fold, Z-Fold: A4, Letter SEF Z-Half Fold: A3, 11 x 17 in	64–90 g/m ²	C-Fold, Z-Fold, and Z-Half Fold
Convenience Stapler	NA	Any supported size	Any supported weight	50 sheets



Note: Sheet quantities for tray capacities and finishing options are based on 80 g/m². Quantities are reduced for heavier media and must be within the specified weight range.

Physical Specifications

Base Configuration

- Width: 640 mm (25.2 in.)
- Depth: 732 mm (28.8 in.)
- Height: 1149 mm (45.2 in.)
- Weight: 151.9 Kg (334.8 lb.)

Configuration with Integrated Office Finisher

- **Width:** 705 mm (27.8 in.)
- **Depth:** 732 mm (28.8 in.)
- **Height:** 1149 mm (45.2 in.)
- **Weight:** 158 Kg (348.3 lb.)

Configuration with Office Finisher LX and Booklet Maker

- Width: 1242 mm (48.8 in.)
- Depth: 732 mm (28.8 in.)
- Height: 1149 mm (45.2 in.)
- Weight: 183 Kg (403.4 lb.)

Configuration with Business Ready Finisher

- Width: 1302 mm (51.3 in.)
- Depth: 732 mm (28.8 in.)
- Height: 1149 mm (45.2 in.)
- Weight: 195.6 Kg (430.4 lb.)

Configuration with Business Ready Finisher and Booklet Maker

- Width: 1431.4 mm (56.4 in.)
- Depth: 732 mm (28.8 in.)
- Height: 1149 mm (45.2 in.)
- Weight: 212.3 Kg (467.1 lb.)

Configuration with Business Ready Finisher, Booklet Maker, and CZ Folder

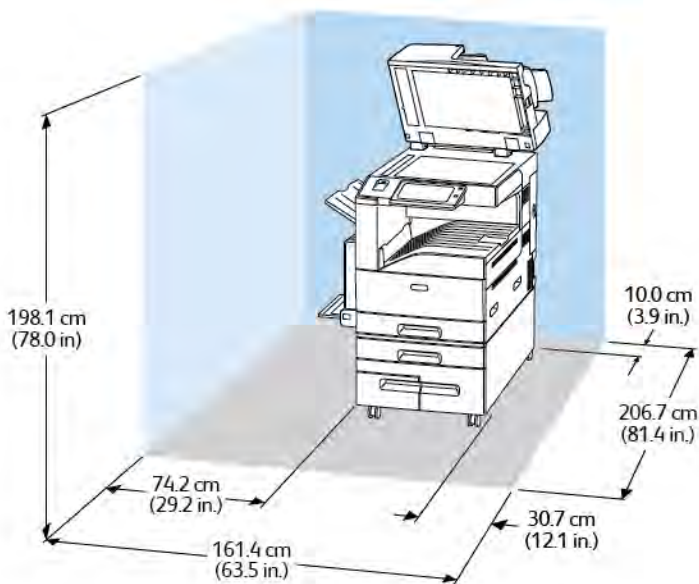
- Width: 1664.2 mm (65.5 in.)
- Depth: 732 mm (28.8 in.)
- Height: 1149 mm (45.2 in.)
- Weight: 264.4 Kg (581.7 lb.)

Configuration with Business Ready Finisher, Booklet Maker, CZ Folder, and High-Capacity Feeder

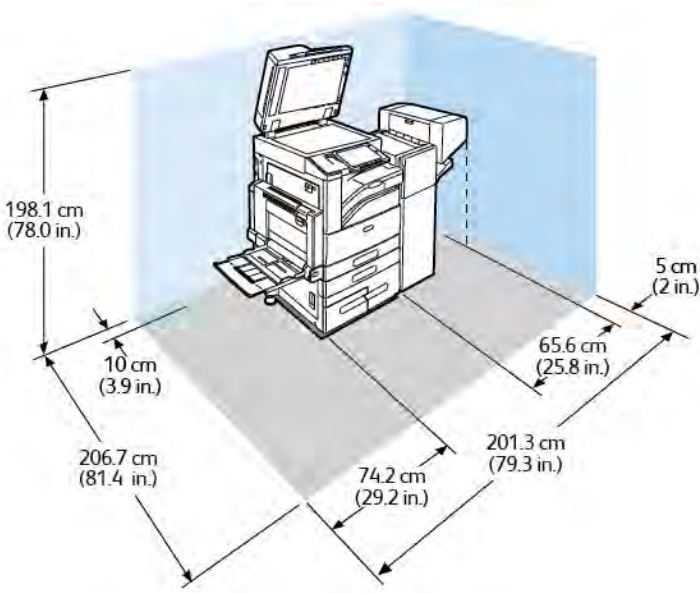
- Width: 1978.2 mm (77.9 in.)
- Depth: 732 mm (28.8 in.)
- Height: 1149 mm (45.2 in.)
- Weight: 297.5 Kg (654.5 lb.)

Clearance Requirements

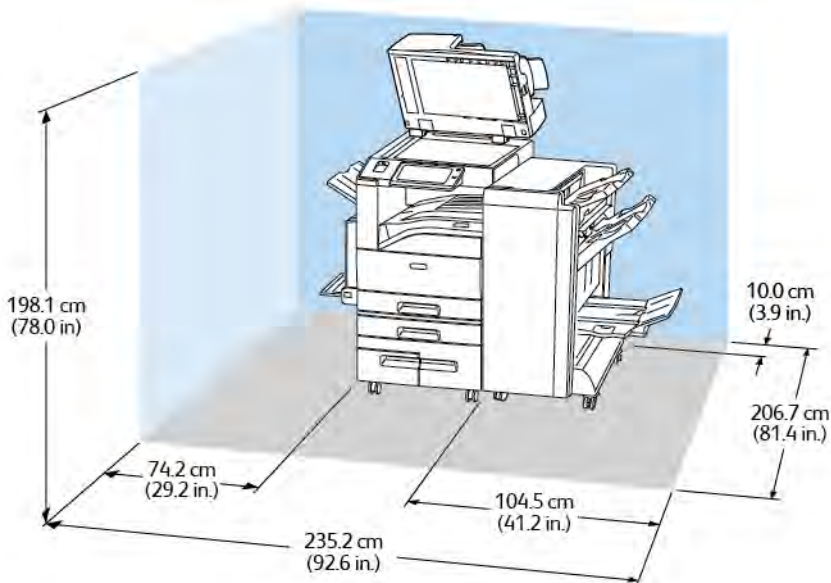
Clearance Requirements for Base Configuration



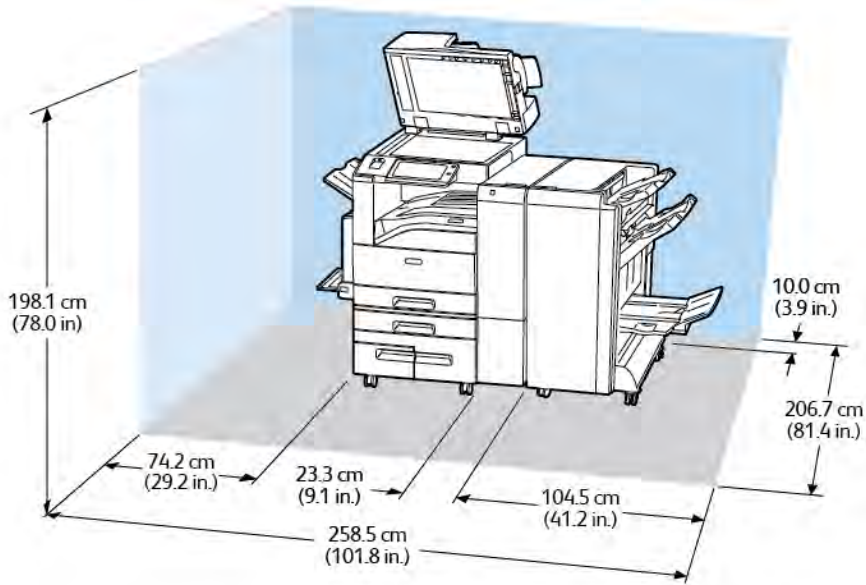
Clearance Requirements for Configuration with Office Finisher LX and Booklet Maker



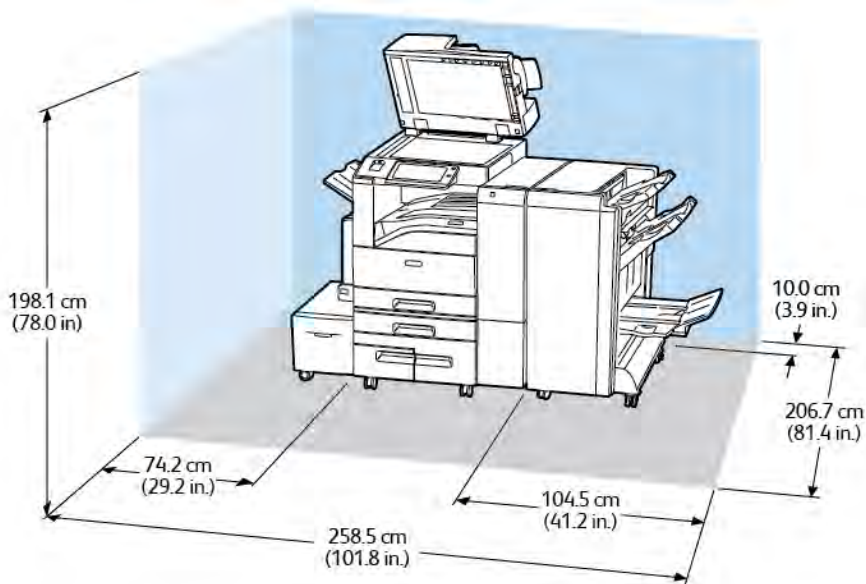
Clearance Requirements for Configuration with Business Ready Finisher and Booklet Maker



Clearance Requirements for Configuration with Business Ready Finisher, Booklet Maker, and CZ Folder



Clearance Requirements for Configuration with Business Ready Finisher, Booklet Maker, CZ Folder, and High-Capacity Feeder



Environmental Specifications

Temperature

Operating: 10–28°C (50–83°F)

Relative Humidity

Operating: 15 % to 85 % (non-condensing)

Elevation

For optimum performance, use the printer at elevations below 2500m (8200ft.).

Electrical Specifications

Speed	Power Supply Voltage	Frequency	Current Required
30-55 prints per minute	110–127 VAC +/-10 %	50 Hz +/- 3 Hz 60 Hz +/- 3 Hz	15 A
	220–240 VAC +/-10 %	50 Hz +/- 3 Hz 60 Hz +/- 3 Hz	10 A
70 prints per minute	110–127 VAC +/-10 %	50 Hz +/- 3 Hz 60 Hz +/- 3 Hz	20 A
	220–240 VAC +/-10 %	50 Hz +/- 3 Hz 60 Hz +/- 3 Hz	10 A

Performance Specifications

Printing Resolution

Maximum Resolution: 1200 x 2400 dpi

Print Speed

Xerox reports speeds for continuous printing using long-edge feed on A4 (210 x 297 mm, 8.27 x 11.69 in.) or Letter (216 x 279 mm, 8.5 x 11 in.) Bond 60–105 g/m² (18–28 lb.) paper from any tray except for tray 5.

Several factors affect print speed:

- Paper orientation: For faster print speeds, you can load paper long-edge feed.
- Paper size: Letter (8.5 x 11 in.) and A4 (210 x 297 mm) sizes share the fastest print speed.
- Paper weight: Lightweight prints faster than heavier paper, such as Cardstock and Labels.
- Paper type: Plain prints faster than Glossy.

You can achieve maximum print speed when you print on Plain, Letter/A4 paper, using long-edge feed.

The slowest print speed is approximately 13 ppm when you print from tray 5 using large size, Heavyweight Glossy Cardstock.

Environmental, Health, and Safety Contact Information

For more information on Environment, Health, and Safety in relation to this Xerox product and supplies, contact:

- United States and Canada: 1-800-ASK-XEROX (1-800-275-9376)
- Europe: EHS-Europe@xerox.com

For product safety information in the United States and Canada, go to www.xerox.com/about-xerox/environment.

For product safety information in Europe, go to www.xerox.com/about-xerox/environment_europe.

Specifications

B

Regulatory Information

This appendix contains:

- [Basic Regulations](#) 336
- [Copy Regulations](#) 341
- [Fax Regulations](#)..... 344
- [Safety Certification](#) 348
- [Material Safety Data Sheets](#) 349

Basic Regulations

Xerox has tested this printer to electromagnetic emission and immunity standards. These standards are designed to mitigate interference caused or received by this printer in a typical office environment.


United States FCC Regulations

This equipment has been tested and found to comply with the limits for a Class A digital device, pursuant to Part 15 of the FCC Rules. These limits are designed to provide reasonable protection against harmful interference when the equipment is operated in a commercial environment. This equipment generates, uses, and can radiate radio frequency energy. If it is not installed and used in accordance with these instructions, it may cause harmful interference to radio communications. Operation of this equipment in a residential area is likely to cause harmful interference in which case the user will be required to correct the interference at his/her own expense.

If this equipment does cause harmful interference to radio or television reception, which can be determined by turning the equipment off and on, the user is encouraged to try to correct the interference by one or more of the following measures:

- Reorient or relocate the receiving antenna.
- Increase the separation between the equipment and receiver.
- Connect the equipment into an outlet on a circuit different from that to which the receiver is connected.
- Consult the dealer or an experienced radio/TV technician for help.

Changes or modifications to this equipment not approved by Xerox can void the authority of the user to operate this equipment.

 **Note:** To ensure compliance with Part 15 of the FCC rules, use shielded interface cables.

Certifications in Europe



The CE mark applied to this product symbolizes a declaration of conformity by Xerox with the following applicable Directives of the European Union:

- Low Voltage Directive 2014/35/EU
- Electromagnetic Compatibility Directive 2014/30/EU
- Radio Equipment Directive 2014/53/EU

This printer, if used properly in accordance with the instructions, is not dangerous for the consumer or for the environment.

A signed copy of the Declaration of Conformity for this printer can be obtained from Xerox.

**WARNING:**

- Changes or modifications to this equipment not specifically approved by the Xerox Corporation may void the user's authority to operate this equipment.
- External radiation from Industrial, Scientific, and Medical (ISM) equipment can interfere with the operation of this Xerox device. If external radiation from ISM equipment interferes with this device, contact your Xerox representative for assistance.
- This is a class A product. In a domestic environment, this product can cause radio frequency interference, in which case the user can be required to take adequate measures.
- To ensure compliance with European Union regulations 2014/30/EU, use shielded interface cables.

European Union Lot 4 Imaging Equipment Agreement Environmental Information

Environmental Information Providing Environmental Solutions and Reducing Cost

The following information has been developed to assist users and has been issued in relation to the European Union (EU) Energy Related Products Directive, specifically the Lot 4 study on Imaging Equipment. This requires manufacturers to improve environmental performance of in scope products and supports the EU action plan on energy efficiency.

In scope products are Household and Office equipment that meet the following criteria:

- Standard monochrome format products with a maximum speed less than 66 A4 images per minute
- Standard color format products with a maximum speed less than 51 A4 images per minute

Environmental Benefits of Duplex Printing

Most Xerox products have duplex printing, also known as 2-sided printing, capability. This enables you to print on both sides of the paper automatically, and therefore helps to reduce the use of valuable resources by reducing your paper consumption. The Lot 4 Imaging Equipment agreement requires that on models greater than or equal to 40 ppm color or greater than or equal to 45 ppm monochrome the duplex function has been auto-enabled, during the setup and driver installation. Some Xerox models below these speed bands may also be enabled with 2-sided printing settings defaulted on at the time of install. Continuing to use the duplex function will reduce the environmental impact of your work. However, should you require simplex/1-sided printing, you may change the print settings in the print driver.

Paper Types

This product can be used to print on both recycled and virgin paper, approved to an environmental stewardship scheme, which complies with EN12281 or a similar quality standard. Lighter weight paper (60 g/m²), which contains less raw material and thus saves resources per print, may be used in certain applications. We encourage you to check if this is suitable for your printing needs.

ENERGY STAR



The ENERGY STAR program is a voluntary scheme to promote the development and purchase of energy efficient models, which help to reduce environmental impact. Details on the ENERGY STAR program and models qualified to ENERGY STAR can be found at the following website: www.energystar.gov.

The ENERGY STAR and ENERGY STAR mark are registered United States trademarks.

The ENERGY STAR Imaging Equipment Program is a team effort between United States, European Union, and Japanese governments and the office equipment industry to promote energy-efficient copiers, printers, fax, multifunction printers, personal computers, and monitors. Reducing product energy consumption helps combat smog, acid rain, and long-term changes to the climate by decreasing the emissions that result from generating electricity.

 **Note:** The Xerox AltaLink C8030/220V Model does not meet the Energy Star requirements.

Power Consumption and Activation Time

The amount of electricity that a device consumes depends on the way the device is used. This device is designed and configured to enable you to reduce your electricity usage.

Power Saver modes are enabled on your device to reduce energy consumption. After the last print, the device transitions to Ready mode. In this mode, the device can print again immediately. If the device is not used for a specified period, the device transitions to Sleep mode. In these modes, to enable reduced-power consumption, only essential functions remain active. The device takes longer to produce the first print after it exits the Power Saver modes than it takes to print in Ready mode. This delay is the result of the system waking up and is typical of most imaging devices on the market.


To save power, you can enable Auto Power Off mode on your device. If Auto Power Off mode is enabled, you can configure the mode as follows:

- **Always Allowed:** The device powers off automatically after the specified time and the Sleep mode timeout has elapsed.
- **Allowed ONLY When Conditions are Met:** The device automatically powers off only after timeouts have elapsed. The device also powers off if Fax, USB Drive, and Wired and Non-Wired Network have not been activated.

To change the Power Saver settings, refer to the *User Guide* at www.xerox.com/support/ALC80XXdocs. For further assistance, contact your System Administrator or refer to the *System Administrator Guide*.

To enable Auto Power Off mode, contact your System Administrator. For details, refer to the *System Administrator Guide* at www.xerox.com/support/ALC80XXdocs.

To learn more about Xerox participation in sustainability initiatives, go to: www.xerox.com/about-xerox/environment/enus.html or www.xerox.co.uk/about-xerox/environment/engb.html.

 **Note:** Changing the default Power Saver activation times can result in an overall higher energy consumption of the device. Before you turn off Power Saver modes or set a long activation time, consider the increase in device power consumption.

Default Power Saver Settings

This device is ENERGY STAR®-qualified under the ENERGY STAR Program Requirements for Imaging Equipment. The transition time from Ready mode to Sleep mode can be set up to 30 minutes. The default value is 0 minutes.

To change the Power Saver settings, refer to the *User Guide* at www.xerox.com/support/ALC80XXdocs. For further assistance, contact your System Administrator, or refer to the *System Administrator Guide*.

Environmental Choice Certified to Office Machines CCD-035



This product is certified to Environmental Choice standard for office machines, meeting all requirements for reduced environmental impact. As part of achieving certification, Xerox Corporation has proven this product meets the Environmental Choice criteria for energy efficiency. Certified copier, printer, multifunctional device, and fax products must also meet criteria such as reduced chemical emissions and demonstrate compatibility with recycled supplies. Environmental Choice was established in 1988 to help consumers find products and services with reduced environmental impacts. Environmental Choice is a voluntary, multi-attribute, and lifecycle-based environmental certification. This certification indicates that a product has undergone rigorous scientific testing, exhaustive auditing, or both, to prove its compliance with stringent, third-party, environmental performance standards.

Germany

Germany - Blue Angel



RAL, the German Institute for Quality Assurance and Labeling, has awarded this device the Blue Angel Environmental Label. This label distinguishes it as a device that satisfies Blue Angel criteria for environmental acceptability in terms of device design, manufacture, and operation. For more information, go to: www.blauer-engel.de.

Blendschutz

Das Gerät ist nicht für die Benutzung im unmittelbaren Gesichtsfeld am Bildschirmarbeitsplatz vorgesehen. Um störende Reflexionen am Bildschirmarbeitsplatz zu vermeiden, darf dieses Produkt nicht im unmittelbaren Gesichtsfeld platziert werden.

Lärmemission

Maschinenlärminformations-Verordnung 3. GPSGV: Der höchste Schalldruckpegel beträgt 70 dB(A) oder weniger gemäß EN ISO 7779.

Importeur

Xerox GmbH
Hellersbergstraße 2-4
41460 Neuss
Deutschland

Turkey RoHS Regulation

In compliance with Article 7 (d), we hereby certify “it is in compliance with the EEE regulation.”

“EEE yönetmeliğine uygundur.”

Eurasian Economic Community Certification



Russia, Belarus, and Kazakhstan are working to establish a common customs union, the Eurasian Economic Community, or EurAsEC. The Eurasian Economic Community members anticipate sharing a common regulatory scheme and common EurAsEC certification mark, the EAC Mark.

Regulatory Information for 2.4 GHz Wireless Network Adapter

This product contains a 2.4 GHz Wireless LAN radio transmitter module which complies with the requirements specified in FCC Part 15, Industry Canada RSS-210 and European Council Directive 99/5/EC.

Operation of this device is subject to the following two conditions: (1) this device may not cause harmful interference, and (2) this device must accept any interference received, including interference that may cause undesired operation.

Changes or modifications to this device not specifically approved by the Xerox Corporation may void the user's authority to operate this equipment.

Ozone Release

This printer produces ozone during normal operation. The amount of ozone produced is dependent on copy volume. Ozone is heavier than air and is not produced in amounts large enough to harm anyone. Install the printer in a well-ventilated room.

For more information in the United States and Canada, go to www.xerox.com/about-xerox/environment/enus.html. In other markets, please contact your local Xerox representative or go to www.xerox.co.uk/about-xerox/environment/engb.html.

Copy Regulations

United States

Congress, by statute, has forbidden the reproduction of the following subjects under certain circumstances. Penalties of fine or imprisonment may be imposed on those guilty of making such reproductions.

1. Obligations or Securities of the United States Government, such as:
 - Certificates of Indebtedness.
 - National Bank Currency.
 - Coupons from Bonds.
 - Federal Reserve Bank Notes.
 - Silver Certificates.
 - Gold Certificates.
 - United States Bonds.
 - Treasury Notes.
 - Federal Reserve Notes.
 - Fractional Notes.
 - Certificates of Deposit.
 - Paper Money.
 - Bonds and Obligations of certain agencies of the government, such as FHA and so on.
 - Bonds. United States Savings Bonds may be photographed only for publicity purposes in connection with the campaign for the sale of such bonds.
 - Internal Revenue Stamps. If it is necessary to reproduce a legal document on which there is a canceled revenue stamp, this may be done provided the reproduction of the document is performed for lawful purposes.
 - Postage Stamps, canceled or uncanceled. For philatelic purposes, Postage Stamps may be photographed, provided the reproduction is in black and white and is less than 75% or more than 150% of the linear dimensions of the original.
 - Postal Money Orders.
 - Bills, Checks, or Drafts of money drawn by or upon authorized officers of the United States.
 - Stamps and other representatives of value, of whatever denomination, which have been or may be issued under any Act of Congress.
 - Adjusted Compensation Certificates for Veterans of the World Wars.
2. Obligations or Securities of any Foreign Government, Bank, or Corporation.
3. Copyrighted materials, unless permission of the copyright owner has been obtained or the reproduction falls within the “fair use” or library reproduction rights provisions of the copyright law. Further information of these provisions may be obtained from the Copyright Office, Library of Congress, Washington, D.C. 20559. Ask for Circular R21.

Regulatory Information

4. Certificate of Citizenship or Naturalization. Foreign Naturalization Certificates may be photographed.
5. Passports. Foreign Passports may be photographed.
6. Immigration papers.
7. Draft Registration Cards.
8. Selective Service Induction papers that bear any of the following Registrant's information:
 - Earnings or Income.
 - Court Record.
 - Physical or mental condition.
 - Dependency Status.
 - Previous military service.
 - Exception: United States military discharge certificates may be photographed.
9. Badges, Identification Cards, Passes, or Insignia carried by military personnel, or by members of the various Federal Departments, such as FBI, Treasure, and so on (unless photograph is ordered by the head of such department or bureau).

Reproducing the following is also prohibited in certain states:

- Automobile Licenses.
- Drivers' Licenses.
- Automobile Certificates of Title.

The preceding list is not all inclusive, and no liability is assumed for its completeness or accuracy. In case of doubt, consult your attorney.

For more information about these provisions contact the Copyright Office, Library of Congress, Washington, D.C. 20559. Ask for Circular R21.

Canada

Parliament, by stature, has forbidden the reproduction of the following subjects under certain circumstances. Penalties of fine or imprisonment may be imposed on those guilty of making such reproductions.

- Current bank notes or current paper money
- Obligations or securities of a government or bank
- Exchequer bill paper or revenue paper
- The public seal of Canada or of a province, or the seal of a public body or authority in Canada, or of a court of law
- Proclamations, orders, regulations, or appointments, or notices thereof (with intent to falsely cause same to purport to have been printed by the Queens Printer for Canada, or the equivalent printer for a province)
- Marks, brands, seals, wrappers, or designs used by or on behalf of the Government of Canada or of a province, the government of a state other than Canada or a department, board, Commission, or agency established by the Government of Canada or of a province or of a government of a state other than Canada

- Impressed or adhesive stamps used for the purpose of revenue by the Government of Canada or of a province or by the government of a state other than Canada
- Documents, registers, or records kept by public officials charged with the duty of making or issuing certified copies thereof, where the copy falsely purports to be a certified copy thereof
- Copyrighted material or trademarks of any manner or kind without the consent of the copyright or trademark owner

This list is provided for your convenience and assistance, but it is not all-inclusive, and no liability is assumed for its completeness or accuracy. In case of doubt, consult your solicitor.

Other Countries

Copying certain documents may be illegal in your country. Penalties of fine or imprisonment may be imposed on those found guilty of making such reproductions.

- Currency notes
- Bank notes and checks
- Bank and government bonds and securities
- Passports and identification cards
- Copyright material or trademarks without the consent of the owner
- Postage stamps and other negotiable instruments

This list is not inclusive and no liability is assumed for either its completeness or accuracy. In case of doubt, contact your legal counsel.

Fax Regulations

United States

Fax Send Header Requirements

The Telephone Consumer Protection Act of 1991 makes it unlawful for any person to use a computer or other electronic device, including a fax machine, to send any message unless such message clearly contains in a margin at the top or bottom of each transmitted page or on the first page of the transmission, the date and time it is sent and an identification of the business or other entity, or other individual sending the message and the telephone number of the sending machine or such business, other entity, or individual. The telephone number provided may not be a 900 number or any other number for which charges exceed local or long-distance transmission charges.

For instructions on programming the Fax Send Header information, refer to the section of the *System Administrator Guide* on Setting Transmission Defaults.

Data Coupler Information

This equipment complies with Part 68 of the FCC rules and the requirements adopted by the Administrative Council for Terminal Attachments (ACTA). On the cover of this equipment is a label that contains, among other information, a product identifier in the format US:AAAEQ##TXXXX. If requested, this number must be provided to the Telephone Company.


A plug and jack used to connect this equipment to the premises wiring and telephone network must comply with the applicable FCC Part 68 rules and requirements adopted by the ACTA. A compliant telephone cord and modular plug is provided with this product. It connects to a compatible modular jack that is also compliant. See installation instructions for details.

You can safely connect the printer to the following standard modular jack: USOC RJ-11C using the compliant telephone line cord (with modular plugs) provided with the installation kit. See installation instructions for details.

The Ringer Equivalence Number (REN) is used to determine the number of devices that can be connected to a telephone line. Excessive RENs on a telephone line could result in the devices not ringing in response to an incoming call. In most but not all areas, the sum of RENs should not exceed five (5.0). To be certain of the number of devices that can be connected to a line, as determined by the RENs, contact the local Telephone Company. For products approved after July 23, 2001, the REN is part of the product identifier that has the format US:AAAEQ##TXXXX. The digits represented by ## are the REN without a decimal point (for example, 03 is a REN of 0.3). For earlier products, the REN is separately shown on the label.

To order the correct service from the local Telephone Company, you could also have to quote the codes in the following list:

- Facility Interface Code (FIC) = 02LS2
- Service Order Code (SOC) = 9.0Y

 **Caution:** Ask your local Telephone Company for the modular jack type installed on your line. Connecting this machine to an unauthorized jack can damage telephone company equipment. You, not Xerox, assume all responsibility and/or liability for any damage caused by the connection of this machine to an unauthorized jack.

If this Xerox® equipment causes harm to the telephone network, the Telephone Company could temporarily discontinue service to the telephone line to which it is connected. If advance notice is not practical, the Telephone Company notifies you of the disconnection as soon as possible. If the Telephone Company interrupts your service, they can advise you of your right to file a complaint with the FCC if you believe that it is necessary.

The Telephone Company could change its facilities, equipment, operations, or procedures which could affect the operation of the equipment. If the Telephone Company changes something that affects the operation of the equipment, they should notify you in order for you to make necessary modifications to maintain uninterrupted service.

If you experience trouble with this Xerox® equipment, please contact the appropriate service center for repair or warranty information. Contact information is contained in the Device app on the printer and in the back of the Troubleshooting section of the *User Guide*. If the equipment is causing harm to the telephone network, the Telephone Company may request you to disconnect the equipment until the problem is resolved.

Only a Xerox Service Representative or an authorized Xerox Service provider are authorized to make repairs to the printer. This applies at any time during or after the service warranty period. If unauthorized repair is performed, the remainder of the warranty period is null and void.

This equipment must not be used on party lines. Connection to party line service is subject to state tariffs. Contact the state public utility commission, public service commission, or corporation commission for information.

Your office could have specially wired alarm equipment connected to the telephone line. Make sure that the installation of this Xerox® equipment does not disable your alarm equipment.


If you have questions about what could disable alarm equipment, consult your Telephone Company or a qualified installer.

Canada

This product meets the applicable Innovation, Science and Economic Development Canada technical specifications.

A representative designated by the supplier should coordinate repairs to certified equipment. Repairs or alterations made by the user to this device, or device malfunctions, could cause the telecommunications company to request you to disconnect the equipment.

For user protection, make sure that the printer is properly grounded. The electrical ground connections of the power utility, telephone lines, and internal metallic water pipe systems, if present, must be connected together. This precaution could be vital in rural areas.

 **Caution:** Do not attempt to make such connections yourself. Contact the appropriate electric inspection authority, or electrician, to make the ground connection.

The Ringer Equivalence Number (REN) indicates the maximum number of devices allowed to be connected to a telephone interface. The termination of an interface may consist of any combination of devices subject only to the requirement that the sum of the RENs of all the devices not exceed five. For the Canadian REN value, please refer to the label on the equipment.

Canada CS-03 Issue 9

This product has been tested to and is compliant with CS–03 issue 9.

European Union

Radio Equipment and Telecommunications Terminal Equipment Directive

This device has been designed to work with the national public switched telephone networks and compatible PBX devices of the following countries:

Pan-European Analog PSTN and Compatible PBX Certifications		
Austria	Greece	Netherlands
Belgium	Hungary	Norway
Bulgaria	Iceland	Poland
Cyprus	Ireland	Portugal
Czech Republic	Italy	Romania
Denmark	Latvia	Slovakia
Estonia	Liechtenstein	Slovenia
Finland	Lithuania	Spain
France	Luxembourg	Sweden
Germany	Malta	United Kingdom

If you have problems with your product, contact your local Xerox representative. This product can be configured to be compatible with other country networks. Before reconnecting the device to a network in another country, contact your Xerox representative for assistance.

 **Note:**

- Although this product can use either loop disconnect (pulse) or DTMF tone signaling, Xerox recommends that you use DTMF signaling. DTMF signaling provides reliable and faster call setup.
- Modification of this product, or connection to external control software or control apparatus not authorized by Xerox, invalidates its certification.

New Zealand

1. The grant of a Telepermit for any item of terminal equipment indicates only that Telecom has accepted that the item complies with minimum conditions for connection to its network. It indicates no endorsement of the product by Telecom, it does not provide any sort of warranty, and it does not imply that any Telepermitted product is compatible with all Telecom network services. Above all, it provides no assurance that any item will work correctly in all respects with another item of Telepermitted equipment of a different make or model.

The equipment may not be capable of correct operation at the higher data speeds designated. 33.6kbps and 56kbps connections are likely to be restricted to lower bit rates when connected to some PSTN implementations. Telecom will accept no responsibility for difficulties that arise in such circumstances.

2. Immediately disconnect this equipment should it become physically damaged, then arrange for its disposal or repair.
3. This modem shall not be used in any manner which could constitute a nuisance to other Telecom customers.
4. This device is equipped with pulse dialing, while the Telecom standard is DTMF tone dialing. There is no guarantee that Telecom lines will always continue to support pulse dialing.
5. Use of pulse dialing, when this equipment is connected to the same line as other equipment, may give rise to 'bell tinkle' or noise and cause a false answer condition. If you encounter such problems, do not contact the Telecom Faults Service.
6. DTMF tones dialing is the preferred method because it is faster than pulse (decadic) dialing and is readily available on almost all New Zealand telephone exchanges.



WARNING: No '111' or other calls can be made from this device during a mains power failure.

7. This equipment may not provide for the effective hand-over of a call to another device connected to the same line.
8. Some parameters required for compliance with Telecom Telepermit requirements are dependent on the equipment (computer) associated with this device. The associated equipment shall be set to operate within the following limits for compliance with Telecom Specifications:

For repeat calls to the same number:

- There shall be no more than 10 call attempts to the same number within any 30 minute period for any single manual call initiation, and
- The equipment shall go on-hook for a period of not less than 30 seconds between the end of one attempt and the beginning of the next attempt.

For automatic calls to different numbers:

The equipment shall be set to ensure that automatic calls to different numbers are spaced such that there is no less than five seconds between the end of one call attempt and the beginning of another.

9. For correct operation, total of the RNs of all devices connected to a single line at any time should not exceed five.

South Africa

This modem must be used in conjunction with an approved surge-protection device.

Safety Certification

This device is certified by the following agencies using the following safety standards.

Agency	Standard
Underwriters Laboratories Inc. (US/Canada)	UL 60950-1, 2nd Edition, 2014-10-14 CAN/CSA C22.2 No. 60950-1-07, 2nd Edition, 2014-10
Underwriters Laboratories Inc. (Europe)	IEC 60950-1:2005 + A1:2009 + A2:2013 EN 60950-1:2006 + A11:2009 + A1:2010 + A12:2011 + A2:2013

Material Safety Data Sheets

For Material Safety Data information regarding your printer, go to:

- North America: www.xerox.com/safety-data
- European Union: www.xerox.com/about-xerox/environment_europe

For the Customer Support Center phone numbers, go to www.xerox.com/worldcontacts.

Regulatory Information

C

Recycling and Disposal

This appendix contains:

- All Countries..... 352
- North America 353
- European Union..... 354
- Other Countries..... 356

All Countries

If you are managing the disposal of your Xerox product, please note that the printer may contain lead, mercury, perchlorate, and other materials whose disposal may be regulated due to environmental considerations. The presence of these materials is fully consistent with global regulations applicable at the time that the product was placed on the market. For recycling and disposal information, contact your local authorities. Perchlorate Material: This product may contain one or more Perchlorate-containing devices, such as batteries. Special handling may apply. For more information, go to www.dtsc.ca.gov/hazardouswaste/perchlorate.

North America

Xerox operates an equipment take-back and reuse/recycle program. Contact your Xerox representative (1-800-ASK-XEROX) to determine if this Xerox product is part of the program. For more information about Xerox environmental programs, visit www.xerox.com/about-xerox/environment, or for recycling and disposal information, contact your local authorities.

European Union

Some equipment may be used in both a domestic/household and a professional/business application.

Domestic/Household Environment



Application of this symbol on your equipment is confirmation that you should not dispose of the equipment in the normal household waste stream.

In accordance with European legislation, end of life electrical and electronic equipment subject to disposal must be segregated from household waste.

Private households within EU member states may return used electrical and electronic equipment to designated collection facilities free of charge. Please contact your local disposal authority for information.

In some member states, when you purchase new equipment, your local retailer may be required to take back your old equipment free of charge. Please ask your retailer for information.

Professional/Business Environment



Application of this symbol on your equipment is confirmation that you must dispose of this equipment in compliance with agreed national procedures.

In accordance with European legislation, end of life electrical and electronic equipment subject to disposal must be managed within agreed procedures.

Prior to disposal, please contact your local reseller or Xerox representative for end of life take-back information.

Collection and Disposal of Equipment and Batteries



These symbols on the products and/or accompanying documents mean that used electrical and electronic products and batteries should not be mixed with general household waste.

For proper treatment, recovery, and recycling of old products and used batteries, please take them to applicable collection points, in accordance with your national legislation and the Directive 2002/96/EC and 2006/66/EC.

By disposing of these products and batteries correctly, you will help to save valuable resources and prevent any potential negative effects on human health and the environment which could otherwise arise from inappropriate waste handling.

For more information about collection and recycling of old products and batteries, please contact your local municipality, your waste disposal service or the point of sale where you purchased the items.

Penalties may be applicable for incorrect disposal of this waste, in accordance with national legislation.

Business Users in the European Union

If you wish to discard electrical and electronic equipment, please contact your dealer or supplier for further information.

Disposal Outside of the European Union

These symbols are only valid in the European Union. If you wish to discard these items, please contact your local authorities or dealer and ask for the correct method of disposal.

Battery Symbol



This wheeled bin symbol may be used in combination with a chemical symbol. Use of this symbol establishes compliance with the requirements set out by the Directive.

Battery Removal






Batteries should only be replaced by a manufacturer-approved service facility.






Other Countries






Please contact your local waste management authority to request disposal guidance.






D






Apps Features





Feature		Description	Copy	Email	Fax	Server Fax	Inter-net Fax	Work-flow Scanning/ Scan To	ID Card Copy
	Output Color	Use Output Color to control the color rendering of the output image or print.	•	•			•	•	•
	2-Sided Copying and 2-Sided Scanning	You can use the 2-Sided options to set the device to scan one or both sides of an original document. For Copy jobs, you can specify 1-Sided or 2-Sided output.	•	•	•	•	•	•	
	Paper Supply	Use Paper Supply to specify the size, type and color of the paper required, or the Paper Tray to use. If Auto is selected, the printer chooses the paper tray based on the original document size and the selected settings.	•						•
	Collation	You can collate multiple-page copy jobs automatically. For example, when making three 1-Sided copies of a six-page document, the copies are printed in this order: 1, 2, 3, 4, 5, 6; 1, 2, 3, 4, 5, 6; 1, 2, 3, 4, 5, 6.	•						
	Finishing	If finishing options are available, use this option to	•						







Feature		Description	Copy	Email	Fax	Server Fax	Inter- net Fax	Work- flow Scan- ning/ Scan To	ID Card Copy
		choose the finishing options required for your printed output.							
	Reduce / Enlarge	You can reduce the image to as little as 25 % of its original size or enlarge it as much as 400 % . Use Proportional % to maintain original proportions when resizing, or use Independent % to adjust the width and length of the image by different percentages.	•						•
	Original Type	The printer optimizes the image quality of the copies based on the type of images in the original document and how the original was created.	•	•	•	•	•	•	•
	Contrast	You can use the Contrast feature to adjust the variation between light and dark areas of the image.	•	•	•	•	•	•	
	Lighten / Darken	Use the Lighten/Darken slider to make the output image or print lighter or darker.	•	•	•	•	•	•	•
	Sharpness	Use this option to sharpen the output image or print. For best	•	•	•		•	•	






Feature		Description	Copy	Email	Fax	Server Fax	Inter-net Fax	Work-flow Scanning/ Scan To	ID Card Copy
		results, sharpen text images and soften photos.							
	Saturation	<p>Saturation allows you to adjust the color strength and the amount of gray in the color.</p> <p> Note: This feature is not available when Output Color is set to Black and White or Grayscale.</p>	•	•			•	•	
	Color Presets	You can adjust the color of the copy using preset color effects. For example, you can adjust colors to be brighter or cooler.	•						
	Color Balance	If you have a color original image, you can adjust the balance of the printing colors between cyan, magenta, yellow, and black before printing your copy.	•						
	Original Orientation	You can use the Original Orientation option to specify the layout of the original images that you scan. The printer uses the information to determine if images require rotation to produce the desired output.	•	•		•	•	•	






Feature		Description	Copy	Email	Fax	Server Fax	Inter- net Fax	Work- flow Scan- ning/ Scan To	ID Card Copy
	Image Shift	Image Shift allows you to modify the location of the image on the page. You can shift the printed image along the X and Y axes of each sheet of paper.	•						
	Auto Background Suppression	Use the Auto Background Suppression setting to reduce the sensitivity of the printer to variations in light background colors.	•	•	•	•	•	•	•
	Edge Erase	You can erase content from the edges of your images using the Edge Erase feature. You can specify the amount to erase on the right, left, top, and bottom edges.	•	•				•	
	Original Size	To ensure that you are scanning the correct area of the documents, specify the original document size.	•	•	•	•	•	•	
	Book Copying	You can use the Book Copying feature to copy books, magazines, or other bound documents.	•						






Feature		Description	Copy	Email	Fax	Server Fax	Inter-net Fax	Work-flow Scanning/ Scan To	ID Card Copy
	Mirror Image	Use Mirror Image to reverse the image and text on the page.	•						
	Negative Image	Negative Image reverses the light and dark areas in your document, and print it as though it were a photo negative. Printing a negative image is useful for documents that have a substantial amount of dark background or light text and images.	•						
	Special Pages	Special Pages is used to add covers and inserts to your job. You can specify exception pages to print on different paper than the main body of the job. You can also program Chapter start pages.	•						
	Annotations	You can add Annotations, such as page numbers and the date, to your copies.	•						
	Booklet Creation	The Booklet Creation feature prints two pages on each side of the paper. The pages are reordered so that they are in numerical order when folded.	•						





Feature		Description	Copy	Email	Fax	Server Fax	Inter-net Fax	Work-flow Scanning/ Scan To	ID Card Copy
	Page Layout	You can print the selected number of pages on one side of a sheet of paper. Selecting multiple pages per sheet saves paper and provides a way to review the layout of a document.	•						
	Sample Job	Sample Job allows you to print a test copy of a job to inspect before printing multiple copies. This feature is useful for complex or high-volume jobs. After you print and inspect the test copy, you can choose to print or cancel the remaining copies.	•						
	Transparency Separators	Use Transparency Separators to add blank sheets of paper between each printed transparency. The size and orientation of the separators must be the same as the transparencies.	•						
	Build Job	Use Build Job for jobs that include a variety of original documents requiring different settings, or for scanning multiple-page jobs from the document glass. The job is scanned in segments. After all	•	•	•	•	•	•	



Feature		Description	Copy	Email	Fax	Server Fax	Inter-net Fax	Work-flow Scanning/ Scan To	ID Card Copy
		the segments are scanned, the job is processed and completed.							
	Save Current Settings	To use a particular combination of copy settings for future copy jobs, you can save the settings with a name and retrieve them for later use.	•						
	Retrieve Current Settings	You can retrieve and use any previously saved copy settings for current jobs.	•						
	Quantity	Use this option to enter the number of required ID card copies.							•
	Resolution	Resolution determines how fine or grainy graphic images appear. Image resolution is measured in dots per inch (dpi).		•	•	•	•	•	
	Remove Blank Pages	Remove Blank Pages configures the printer to ignore blank pages.		•				•	
	From	Use the From option to specify the originator of the email.		•			•		

Feature		Description	Copy	Email	Fax	Server Fax	Inter-net Fax	Work-flow Scanning/ Scan To	ID Card Copy
		 <p>Note: The system administrator can preset this option to populate automatically with your user account details.</p>							
	Reply To	<p>Use the Reply To option to include an email address you want the recipient to reply to. This option is useful if you want the recipient to reply to your email address rather than to the device.</p> <p> Note: The system administrator can preset this option.</p>		•			•		
	Message	<p>Use Message to enter information to accompany the email.</p>		•			•		
	Quality / File Size	<p>The Quality/File Size option lets you choose from three settings that balance the quality of the image and the size of the file. Higher quality images result in larger file sizes, which are not ideal for sharing and transmitting over the network.</p>		•			•	•	

Feature		Description	Copy	Email	Fax	Server Fax	Inter-net Fax	Work-flow Scanning/ Scan To	ID Card Copy
	File Format	Use the File Format option to specify the format of the saved image or to define a searchable image. You can add a password to protect the image or choose to combine multiple images into a single file.		•			•	•	
	If File Already Exists	Use the If File Already Exists option to define what action the device takes when the file name is used already.						•	
	File and Attachment	Use the File and Attachment option to specify a name for the file containing the scanned images.		•			•	•	
	Acknowledgement Report	<p>You can request to print a report to confirm that each recipient has received the scanned file. The report contains delivery status information.</p> <p> Note:</p> <p>The report depends on recipient response time.</p>					•		

Feature		Description	Copy	Email	Fax	Server Fax	Inter-net Fax	Work-flow Scanning/ Scan To	ID Card Copy
	Update Workflows	Use Update Workflows to refresh the list of workflows displayed at the control panel.						•	
	Add File Destinations	Use this option to choose more destinations for filing the scanned images.						•	
	Book Faxing	You can use the Book Faxing feature to scan images from books, magazines, or other bound documents for faxing.			•				
	Reduce / Split	Use the Reduce/Split option to specify how your faxed document is printed on the receiving fax machine. If the image is too large to fit on the paper size, you can reduce the image to fit or split across multiple pages.			•				
	Confirmation Report	You can request a report to confirm if your fax has been received. To receive a Confirmation Report only if an error occurred during transmission, choose Print on Error Only.			•				

Feature		Description	Copy	Email	Fax	Server Fax	Inter-net Fax	Work-flow Scanning/ Scan To	ID Card Copy
	Starting Rate	Select the highest starting rate for transmitting the fax, unless the destination for the fax you are sending has special requirements. Forced (4800 bps) is the recommended setting for lines that may have transmission interference.			•				
	Cover Sheet	You can use the Cover Sheet option to add an introduction page to the beginning of your fax. You can add a short comment to the cover sheet, and To and From details.			•				
	Send Header Text	It is unlawful to send a message from a fax machine without the proper Transmission Header Text. Ensure that the name and telephone number of the sender, and the date and time of the transmission are included on all faxes.			•				
	Delay Send	You can set a time in the future for the printer to send your fax job. You can delay the sending of your fax job for up to 24 hours.			•	•			

Feature		Description	Copy	Email	Fax	Server Fax	Inter-net Fax	Work-flow Scanning/ Scan To	ID Card Copy
	Polling	Fax Polling allows you to store a fax document on the printer and make it available for other fax machines to poll. You can retrieve faxes stored on other fax machines. To use this feature, both the polling printer and the remote printer must have the Polling feature.			•				
	Mailboxes	Use the Fax Mailboxes option to store faxes that have been retrieved from a remote fax machine, or to store faxes for retrieval by a remote fax machine. The mailbox number is required to access a mailbox. You can set a passcode to secure confidential documents.			•				

