

## XP Softswitch™ Panels

Feed-Through XP  
Without Branch Circuit Breakers



- Mini XP
- All voltages
  - 4 to 16 switch legs

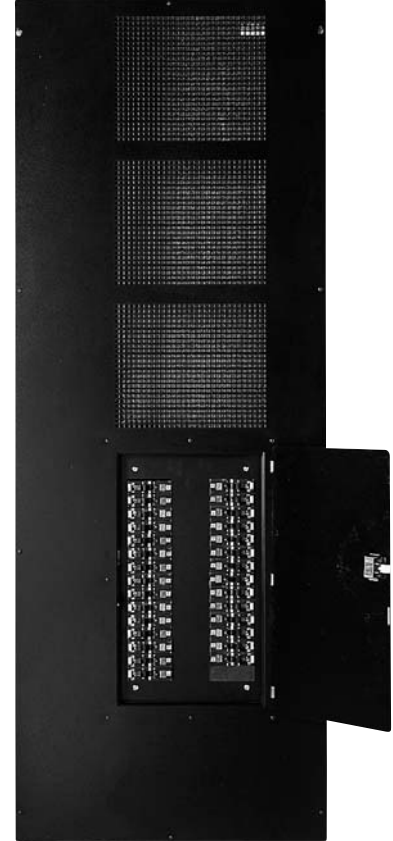


- Standard-Size XP
- All voltages
  - 20 to 48 switch legs

XP With Branch Circuit Breakers



- Standard-Size XP
- 100-127 V~, 4 to 28 switch legs
  - 220-240 V~ (non-CE), 4 to 24 switch legs
  - 230 V~ (CE), 4 to 24 switch legs



- Large XP
- 277 V~ and 347 V~
  - 4 to 28 switch legs

- Extra-Large XP (not pictured)
- 277 V~ and 347 V~
  - 32 to 42 switch legs

XP Switching Panels provide power and switching for up to 48 switch legs. Panels control any light source as well as motors.

**Models available with:**

- 100-127 V~, 220-240 V~ (non-CE), 230 V~ (CE), 277 V~, and 347 V~ input power.
- With or without branch circuit breakers.
- 4 to 48 switch legs (feed-through).
- 4 to 42 switch legs (with branch circuit breakers).

**XP Softswitch Panels work with:**

- GRX-4000 Control Units.
- GRAFIK 5000™, 6000®, and 7000® Systems.
- GP and LP Dimming Panels.
- DMX512 dimming systems via the 2LINK™ option.

<b>Job Name:</b>	<b>Model Numbers:</b>
<b>Job Number:</b>	

## Specifications

### Standards

- UL Listed (Reference: UL File 42071).
- Complies with ISO-9000, CSA, NOM.

### Power

- Input power: 100-127 V~, 220-240 V~ (non-CE), 230 V~ (CE), 277 V~, and 347 V~. All voltages 50/60 Hz, phase-to-neutral.
- Control circuit (Feed-Through XP Panels only): Dedicated feed, same voltage and phase as Panel.
- Branch Circuit Breakers: UL-rated thermal magnetic. AIC ratings:  
120 V~ – 10000 A  
220-240 V~ – 6000 A  
277 V~ – 18000 A  
347 V~ – 14000 A
- Lightning strike protection: Meets ANSI/IEEE standard 62.41-1980. Can withstand voltage surges of up to 6000 V~ and current surges of up to 3000 A.
- 10-year power failure memory: Automatically restores lighting to levels prior to power interruption.

### Sources/Load Types

- Incandescent (Tungsten) /Halogen
- Magnetic Low Voltage Transformer
- Electronic Low Voltage Transformer
- Neon/Cold Cathode
- Magnetic and Electronic Fluorescent Lamp Ballasts
- HID
- Motor Loads (1/3 HP @ 100-127 V~, 1/2 HP @ 220-347 V~)

### Switching Modules

- Switch legs rated @ 16 A.
- Patented Softswitch™ circuit eliminates arcing at mechanical contacts when loads are switched. Prolongs relay life to an average of 1,000,000 cycles (on/off). Handles 50 times inrush. Rated for resistive, inductive, or capacitive sources.

### Wiring

- Internal: Prewired by Lutron.
- System communications: Low-voltage PELV (Class 2: USA) wiring connects XP Panels to other components.
- Line (mains) voltage: Feed and load wiring only. (Feed-Through XP Panels also have control circuit wiring.) No other wiring or assembly required.

### Physical Design

- Enclosure: NEMA-Type 1, IP-20 protection; #16 U.S. Gauge Steel. Indoors only.
- Weight: 27 pounds (13 kg) for Mini XP, 80 pounds (37 kg) for Standard-Size XP, 135 pounds (61.3 kg) for Large XP, 225 pounds (102 kg) for Extra Large XP.

### Mounting

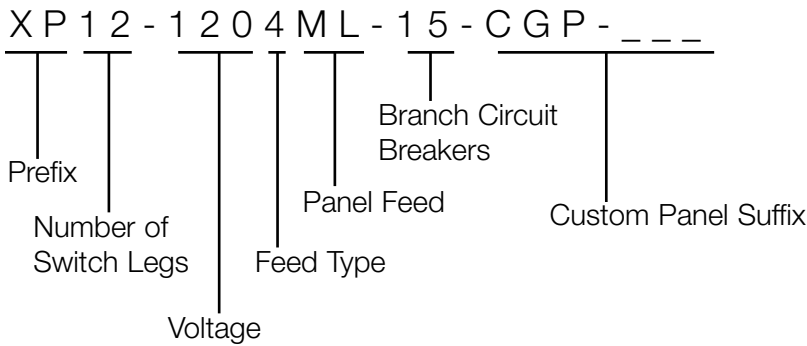
- Mini XP and Standard-Size XP: Surface mount or recess mount between 16" (40 cm) studs.
- Large XP: Surface mount only.
- Extra Large XP: Surface mount only.

### Environment

32-104 °F (0-40 °C). Relative humidity less than 90% non-condensing.

<b>Job Name:</b>	<b>Model Numbers:</b>
<b>Job Number:</b>	

## Anatomy of an XP Model Number



**Prefix:**

XP for XP Switching Panel

**Number of Switch Legs:**

Indicates number of load circuits in the panel

**Voltage:**

**120** for 100-127 V~

**230** for 230 V~ (CE)<sup>1</sup>

**240** for 220-240 V~ (non-CE)<sup>1</sup>

**277** for 277 V~

**347** for 347 V~

**Feed Type:**

**FT** for Feed Through (no branch circuit breakers)

**4** for 3 phase 4 wire

**Panel Feed:**

**ML** for Main Lugs only

**IS** for Isolation Switch

**Branch Circuit Breakers:**

**20** for 20 A branch circuit breakers

**15** for 15 A branch circuit breakers

**16** for 16 A branch circuit breakers

**Custom Panel Suffix:**

Indicates panel with special options

(Number generated by Lutron)

<sup>1</sup> 230 V~ (CE) and 220-240 V~ (non-CE) models with branch circuit breakers are custom panels. Contact Lutron for more information.

<b>Job Name:</b>	<b>Model Numbers:</b>
<b>Job Number:</b>	

## Feed-Through XP Models (Without Branch Circuit Breakers)

Only standard Panels listed. Consult Lutron for options.

### Mini XP Feed-Through Models

100-127 V~, 230 V~ (CE), 220-240 V~ (non-CE), 277 V~, or 347 V~ Power

Number Of Switch Legs	Feed Type	Maximum Feed
XP4		100-127 V~: 20 A
XP8	Feed Through	220-240 V~: 16 A
XP12		230 V~ (CE): 16 A
XP16		277 V~: 20 A
		347 V~: 20 A



Mini XP



Standard-Size XP

### Standard-Size XP Feed Through Models

100-127 V~, 230 V~ (CE), 220-240 V~ (non-CE), 277 V~, or 347 V~ Power

Number Of Switch Legs	Feed Type	Maximum Feed
XP20		
XP24	Feed Through	100-127 V~: 20 A
XP28		220-240 V~: 16 A
XP32		230 V~ (CE): 16 A
XP36		277 V~: 20 A
XP40		347 V~: 20 A
XP44		
XP48		

### Wire Sizes

- #14 AWG (2.0 mm<sup>2</sup>) to #10 AWG (4.0 mm<sup>2</sup>) for Feed Wiring and Switch Legs (to loads)
- Power (Hot/Live) and Switched Hot/Live connect directly to Terminal Block for Switch Legs

<b>Job Name:</b>	<b>Model Numbers:</b>
<b>Job Number:</b>	

## XP Models With Branch Circuit Breakers

Only standard Panels listed. Consult Lutron for options.

### 100-127 V~ Standard-Size XP with Branch Circuit Breakers

Number Of Switch Legs	Feed Type And Wire Sizes	Maximum Feed	Branch Circuit Breakers <sup>1</sup>
XP4	<ul style="list-style-type: none"> <li>• 3Ø, 4 W</li> </ul>		
XP8	<ul style="list-style-type: none"> <li>• Main Lugs Only</li> </ul>		
XP12	<ul style="list-style-type: none"> <li>• Main Lugs</li> </ul>	200 A	15 A or 20 A
XP16	accept #4 AWG		
XP20	(25 mm <sup>2</sup> ) to 250		
XP24	KCMIL (MCM)		
XP28	(185 mm <sup>2</sup> )		

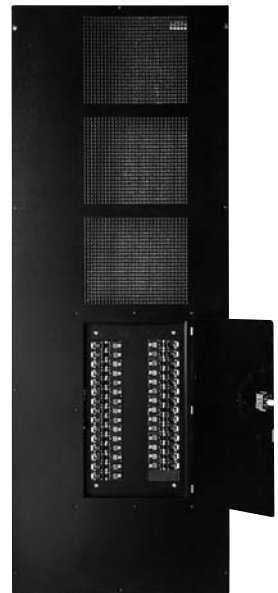
### 220-240 V~ (non CE) Standard-Size XP with Branch Circuit Breakers

Number Of Switch Legs	Feed Type And Wire Sizes	Maximum Feed	Branch Circuit Breakers <sup>1</sup>
XP4	<ul style="list-style-type: none"> <li>• 3Ø, 4 W</li> </ul>		
XP8	<ul style="list-style-type: none"> <li>• 125 A Isolator</li> </ul>		
XP12	Switch	125 A	16 A
XP16	<ul style="list-style-type: none"> <li>• Isolator Switch</li> </ul>		
XP20	accepts 2.5		
XP24	mm <sup>2</sup> to 35 mm <sup>2</sup> Feed Wiring		

### 230 V~ (CE) Standard-Size XP with Branch Circuit Breakers

Number Of Switch Legs	Feed Type And Wire Sizes	Maximum Feed	Branch Circuit Breakers <sup>1</sup>
XP4	<ul style="list-style-type: none"> <li>• 3Ø, 4 W</li> </ul>		
XP8	<ul style="list-style-type: none"> <li>• 125 A Isolator</li> </ul>		
XP12	Switch	125 A	16 A
XP16	<ul style="list-style-type: none"> <li>• Isolator Switch</li> </ul>		
XP20	accepts 2.5 mm <sup>2</sup>		
XP24	to 35 mm <sup>2</sup> Feed Wiring		

<sup>1</sup> 20/16 A, 15/12 A continuous load rating.



Standard-Size XP

<b>Job Name:</b>	<b>Model Numbers:</b>
<b>Job Number:</b>	

### XP Models With Branch Circuit Breakers

Only standard Panels listed. Consult Lutron for options.

#### 120 V~ Large XP with Branch Circuit Breakers

Number Of Switch Legs	Feed Type And Wire Sizes	Maximum Feed	Branch Circuit Breakers <sup>1</sup>
XP32	<ul style="list-style-type: none"> <li>• 3Ø, 4 W or 1Ø, 3 W</li> </ul>		
XP36	<ul style="list-style-type: none"> <li>• Main Lugs Only</li> </ul>		
XP40	<ul style="list-style-type: none"> <li>• Main Lugs accept #4 AWG (25 mm<sup>2</sup>) to 300 KCMIL (MCM) (150 mm<sup>2</sup>)</li> </ul>	225 A	20 A
XP42			

#### 277/347 V~ Large XP with Branch Circuit Breakers

Number Of Switch Legs	Feed Type And Wire Sizes	Maximum Feed	Branch Circuit Breakers <sup>1</sup>
XP4	<ul style="list-style-type: none"> <li>• 3Ø, 4 W</li> </ul>		
XP8	<ul style="list-style-type: none"> <li>• Main Lugs Only</li> </ul>		
XP12	<ul style="list-style-type: none"> <li>• Main Lugs accept #4 AWG (25 mm<sup>2</sup>) to 300 KCMIL (MCM) (150 mm<sup>2</sup>)</li> </ul>	250 A	20 A
XP16			
XP20			
XP24			
XP28			

#### 277/347 V~ Extra-Large XP with Branch Circuit Breakers

Number Of Switch Legs	Feed Type And Wire Sizes	Maximum Feed	Branch Circuit Breakers <sup>1</sup>
XP32	<ul style="list-style-type: none"> <li>• 3Ø, 4 W</li> </ul>		
XP36	<ul style="list-style-type: none"> <li>• Main Lugs Only</li> </ul>		
XP40	<ul style="list-style-type: none"> <li>• Main Lugs accept #4 AWG (25 mm<sup>2</sup>) to 350 KCMIL (MCM) (150 mm<sup>2</sup>)</li> </ul>	300 A	20 A
XP42			

#### Wire Sizes For Switch Legs (To Loads)

#14 AWG (2.0 mm<sup>2</sup>) to #10 AWG (4.0 mm<sup>2</sup>)

<sup>1</sup> 20/16 A, 15/12 A continuous load rating.



Large XP



Extra-Large XP

<b>Job Name:</b>	<b>Model Numbers:</b>
<b>Job Number:</b>	

### General Use Breakers

120 V~ and 277 V~ XP Panels with branch circuit breakers may be ordered with general use breakers populated in the positions available after the switching modules have been pre-wired. Circuit breakers for switched circuits may also be selected; the options are 10, 15, and 20 A single-pole circuit breakers. The following tables list available options.

#### 120 V~ Breaker Options

Type	Standard									GFI		EPD		AFI	K	HID			SWN		
AIC Rating (kAIC)	10			22			42			65			10	22	10	10	10	10	10	10	
Number of Poles	1	2	3	1	2	3	1	2	3	1	2	1	2	1	1	1	2	3	1 <sup>1</sup>	2 <sup>2</sup>	
Ampere Rating																					
10 A	X	X	X												X					X	X
15 A	X	X	X	X			X	X	X	X	X	X	X	X	X	X	X	X	X	X	X
20 A	X	X	X	X			X	X	X	X	X	X	X	X		X	X	X	X	X	X
25 A	X	X	X	X			X	X	X	X	X	X	X		X	X	X	X	X	X	X
30 A	X	X	X	X			X	X	X	X	X	X	X		X	X	X	X	X	X	X
35 A	X	X	X																		
40 A	X	X	X		X					X				X			X	X		X	X
45 A	X	X	X		X																
50 A	X	X	X		X					X				X			X	X		X	X
60 A	X	X	X		X					X				X							
70 A	X	X	X		X																
80 A		X	X		X																
90 A		X	X		X																
100 A		X	X		X																
110 A		X			X																
125 A		X			X																

#### 277 V~ Breaker Options

Type	Standard								
AIC Rating (kAIC)	18			35			65		
Number of Poles	1	2	3	1	2	3	1	2	3
Ampere Rating									
15	X	X	X	X	X	X	X	X	X
20	X	X	X	X	X	X	X	X	X
25	X	X	X	X	X	X	X	X	X
30	X	X	X	X	X	X	X	X	X
35	X	X	X	X	X	X	X	X	X
40	X	X	X	X	X	X	X	X	X
45	X	X	X	X	X	X	X	X	X
50	X	X	X	X	X	X	X	X	X
60	X	X	X	X	X	X	X	X	X
70	X	X	X	X	X	X	X	X	X
80		X	X		X	X		X	X
90		X	X		X	X		X	X
100		X	X		X	X		X	X
110		X	X		X	X		X	X
125		X	X		X	X			

**Legend**

GFI - Ground Fault Circuit Interrupter (6 mA)

EPD - Equipment Ground Fault Protection (30 mA)

AFI - Arc Fault Interrupter

K - Key Operated

HID - For High Intensity Discharge Lighting

SWN - Switch Neutral Breaker

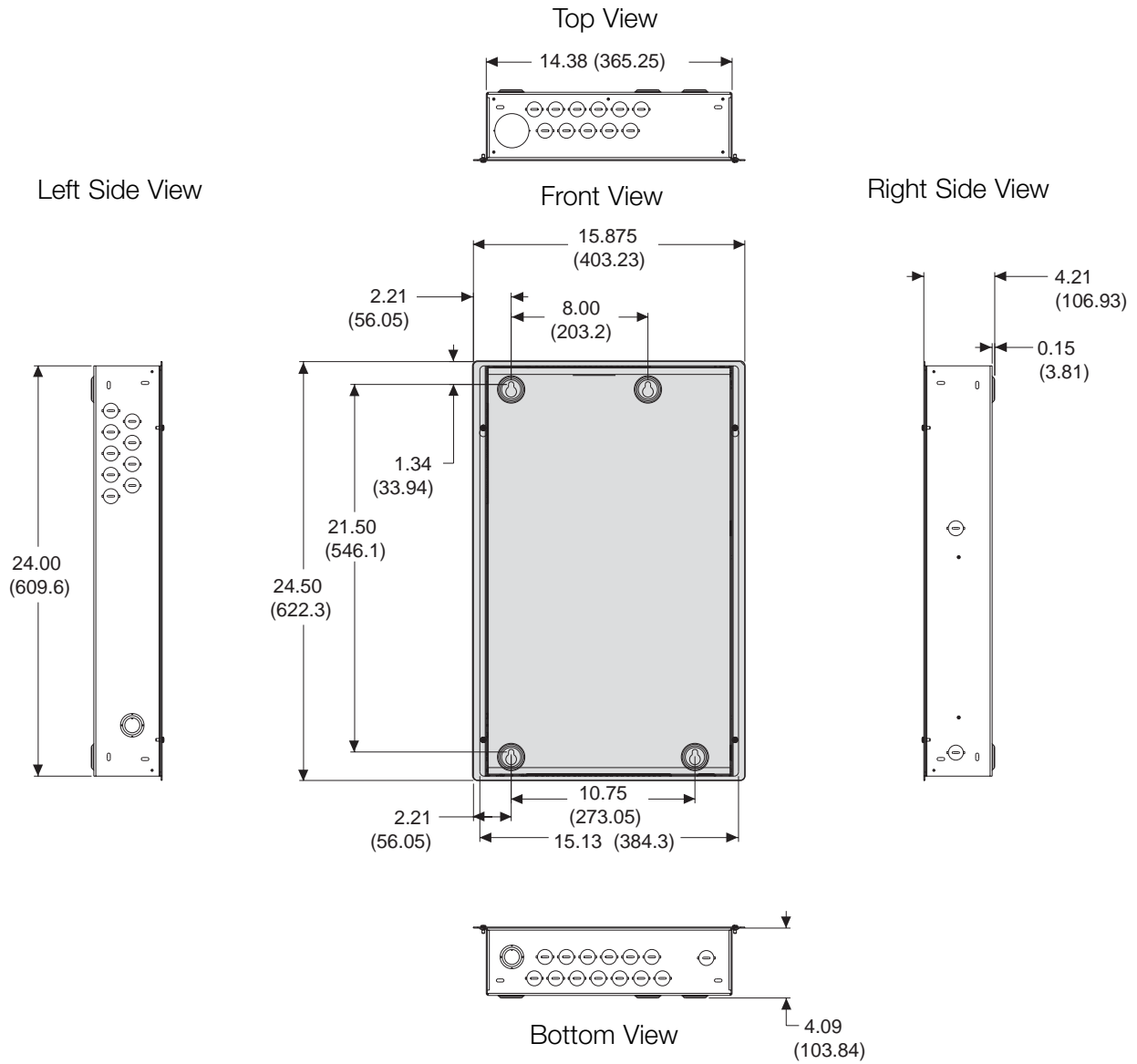
11 Pole SWN Breaker occupies 2 spaces

22 Pole SWN Breaker occupies 3 spaces

Contact Lutron Integrated Systems for detailed ordering information.

<b>Job Name:</b>	<b>Model Numbers:</b>
<b>Job Number:</b>	

### Mini XP Dimensions

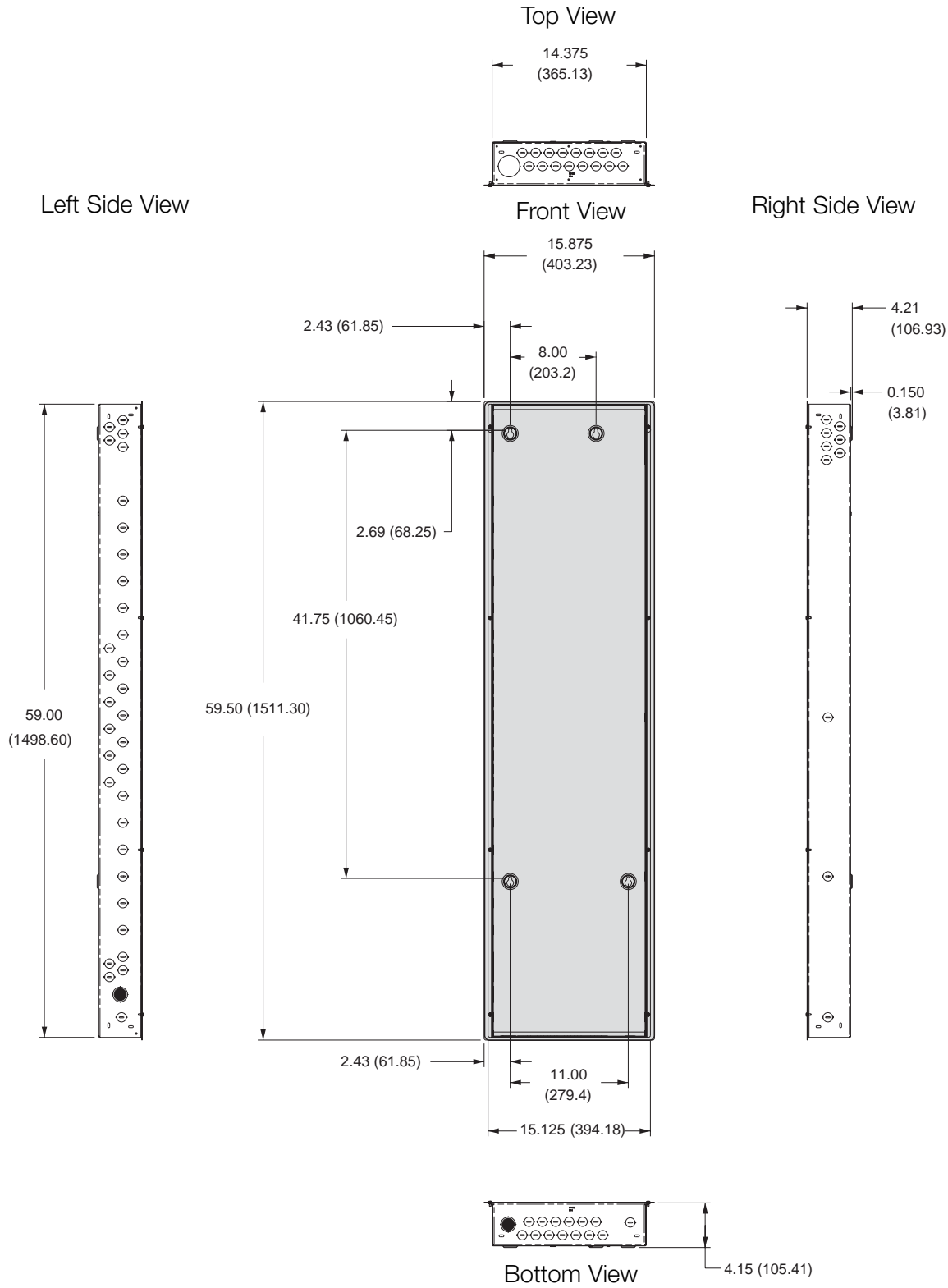


All dimensions in inches (mm)

<p><b>Job Name:</b></p>	<p><b>Model Numbers:</b></p>
<p><b>Job Number:</b></p>	



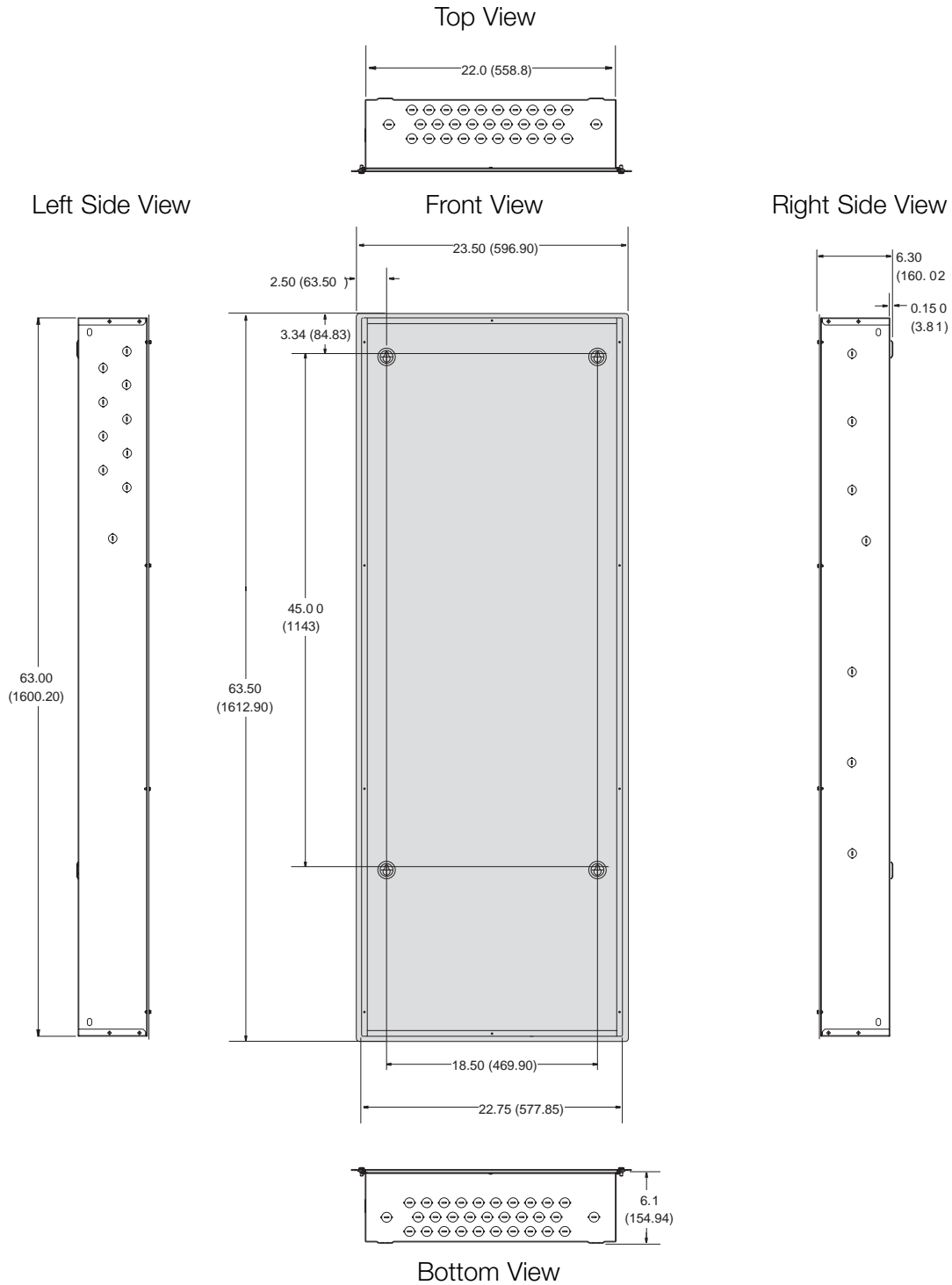
### Standard-Size XP Dimensions



All dimensions in inches (mm)

<p><b>Job Name:</b></p>	<p><b>Model Numbers:</b></p>
<p><b>Job Number:</b></p>	

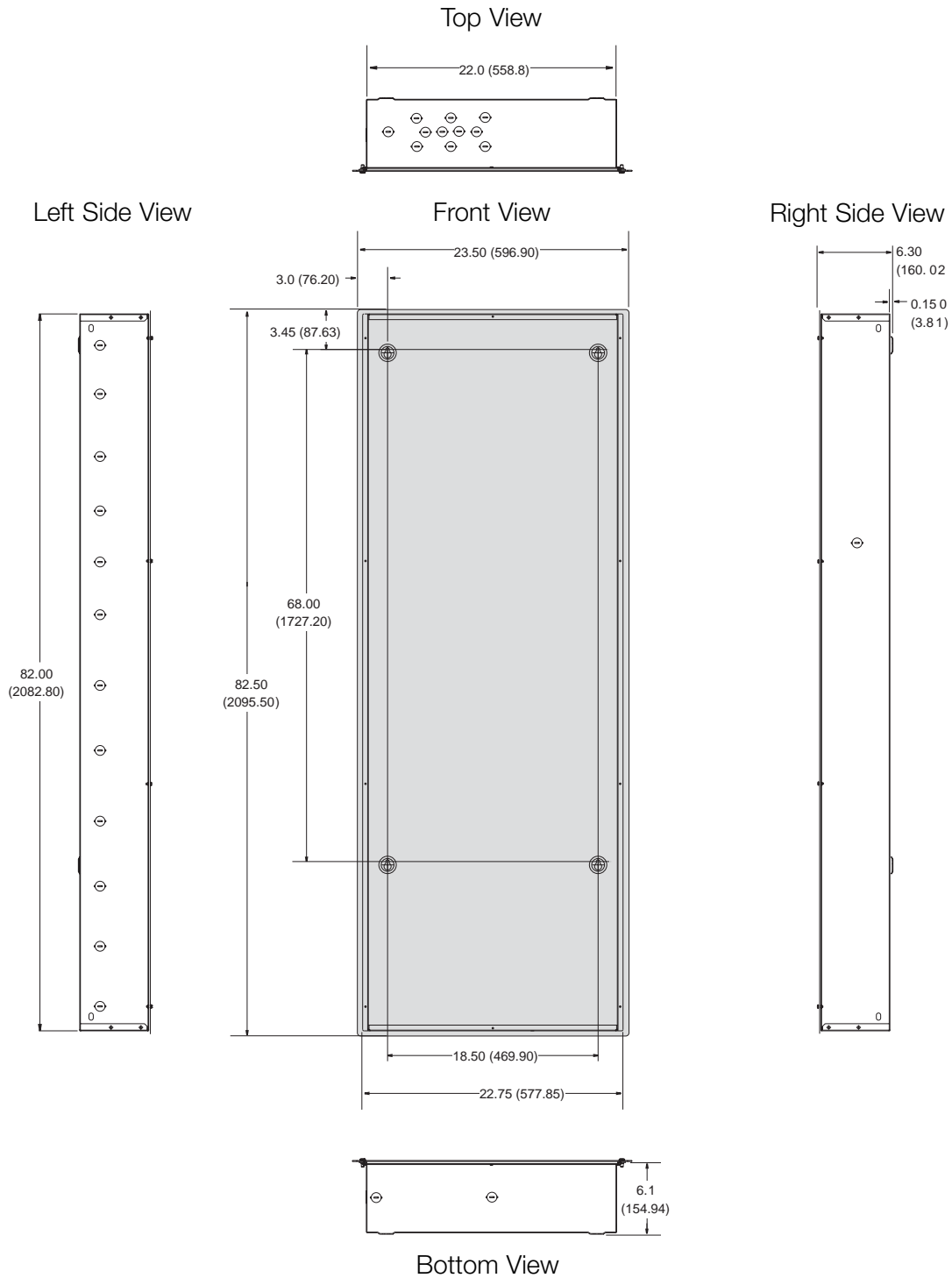
# Large XP Dimensions



All dimensions in inches (mm)

<p><b>Job Name:</b></p>	<p><b>Model Numbers:</b></p>
<p><b>Job Number:</b></p>	

### Extra Large XP Dimensions



All dimensions in inches (mm)

<p><b>Job Name:</b></p>	<p><b>Model Numbers:</b></p>
<p><b>Job Number:</b></p>	

## Mounting for Mini XP

Maximum Feed and Wire Sizes  
Consult Wiring Overview page.

- Surface or recess mount indoors.
- Consult Dimensions page for dimensions, conduit knockouts, and mounting holes and hardware.
- Mount only where ambient temperature is 32-104 °F (0-40 °C).
- Mount Panel where audible noise is acceptable. (Internal relays click.)
- Mount Panel so line (mains) voltage wiring is at least 6 feet (1.8 m) from sound or electronic equipment and wiring.
- Mount Panel within 7° of true vertical.

### Surface Mounting

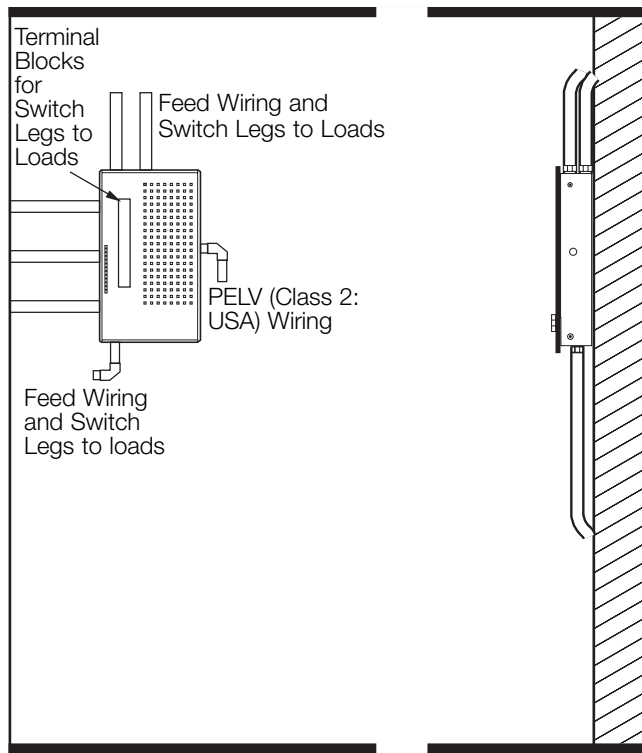
- Surface mounting keyholes accept 1/4" (6 mm) mounting bolts. This size is recommended.

### Recess Mounting

- Mount Panel flush to 1/8" (3 mm) below finished wall surface.
- Allow room for top cover. Leave 1 1/2" (38 mm) clearance to each side of Panel.

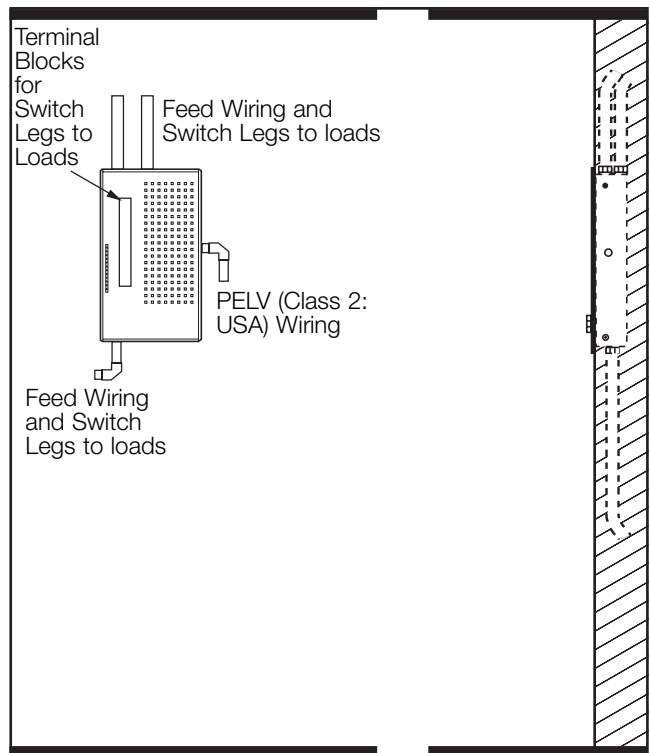
Front View

Side View



Front View

Side View



Job Name:

Model Numbers:

Job Number:

## Mounting for Standard-Size Feed Through XP

- Surface or recess mount indoors.
- Consult Dimensions page for dimensions, conduit knockouts, and mounting holes and hardware.
- Mount only where ambient temperature is 32-104 °F (0-40 °C).
- Standard-Size XP weighs 80 pounds (37 kg). Reinforce wall structure for weight and local codes.
- Mount Panel where audible noise is acceptable. (Internal relays click.)
- Mount Panel so line (mains) voltage wiring is at least 6 feet (1.8 m) from sound or electronic equipment and wiring.
- Mount Panel within 7° of true vertical.

Maximum Feed and Wire Sizes  
Consult Wiring Overview page.

### Surface Mounting

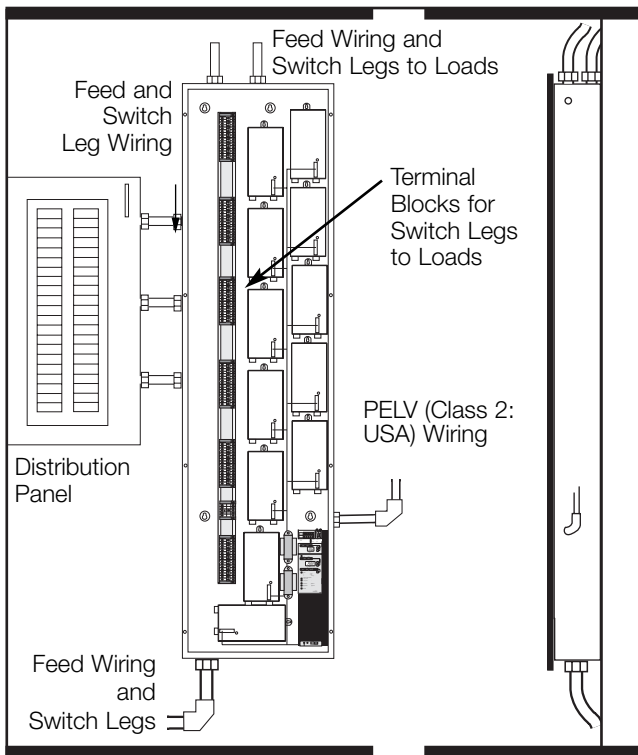
- Surface mounting keyholes accept 1/4" (6 mm) mounting bolts. This size is recommended.

### Recess Mounting

- Mount Panel flush to 1/8" (3 mm) below finished wall surface.
- Allow room for top cover. Leave 1 1/2" (38 mm) clearance to each side of Panel.

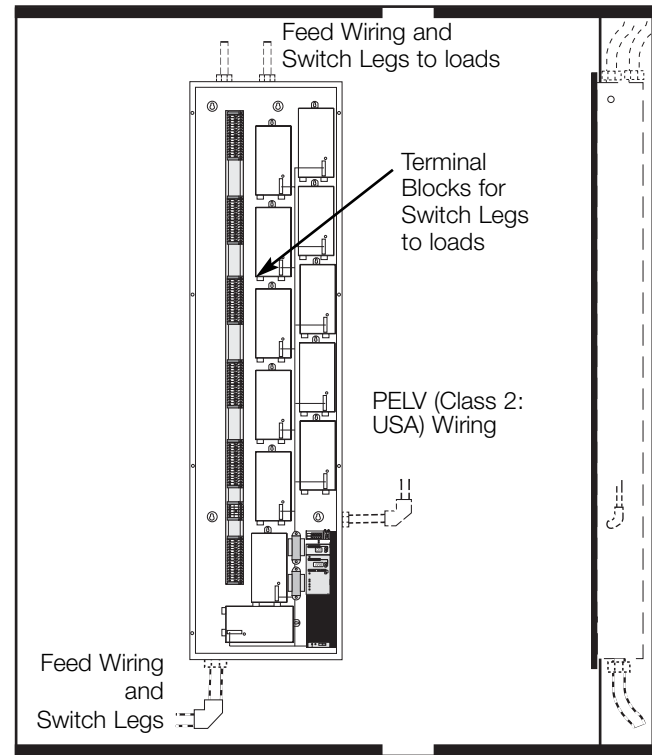
Front View

Side View



Front View

Side View



<b>Job Name:</b>	<b>Model Numbers:</b>
<b>Job Number:</b>	

## Mounting for Standard-Size XP with Branch Circuit Breakers

Maximum Feed and Wire Sizes  
Consult Wiring Overview page.

- Surface or recess mount indoors.
- Consult Dimensions page for dimensions, conduit knockouts, and mounting holes and hardware.
- Mount only where ambient temperature is 32-104 °F (0-40 °C).
- Standard-Size XP weighs 80 pounds (37 kg). Reinforce wall structure for weight and local codes.
- Mount Panel where audible noise is acceptable. (Internal relays click.)
- Mount Panel so line (mains) voltage wiring is at least 6 feet (1.8 m) from sound or electronic equipment and wiring.
- Mount Panel within 7° of true vertical.

### Surface Mounting

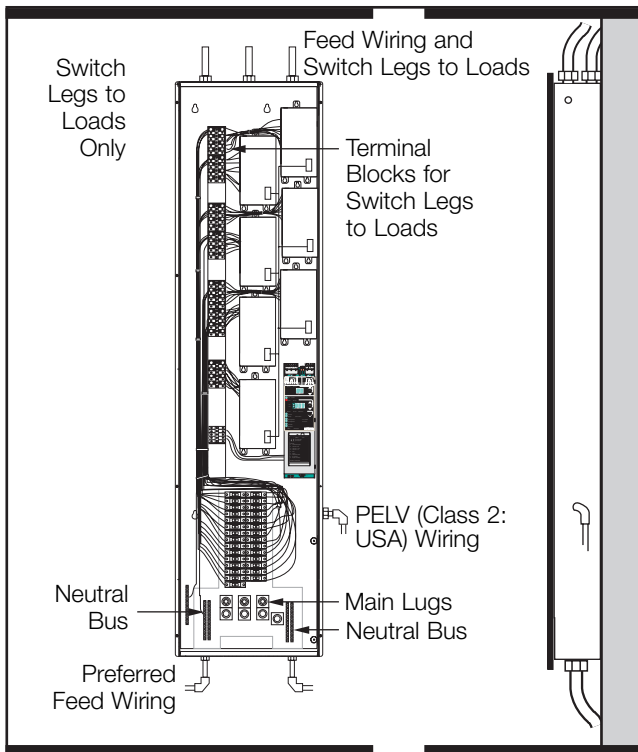
- Surface mounting keyholes accept 1/4" (6 mm) mounting bolts. This size is recommended.

### Recess Mounting

- Mount Panel flush to 1/8" (3 mm) below finished wall surface.
- Allow room for top cover. Leave 1 1/2" (38 mm) clearance to each side of Panel.

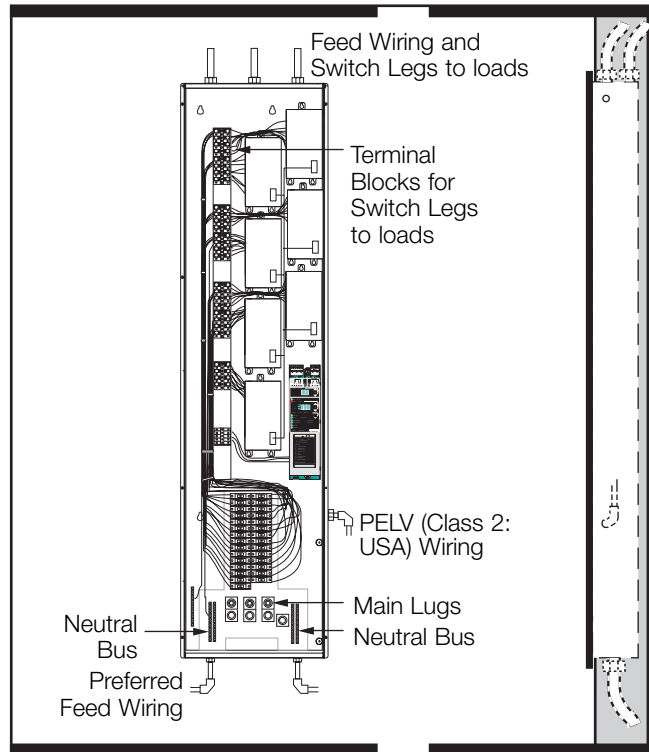
Front View

Side View



Front View

Side View



Job Name:

Model Numbers:

Job Number:

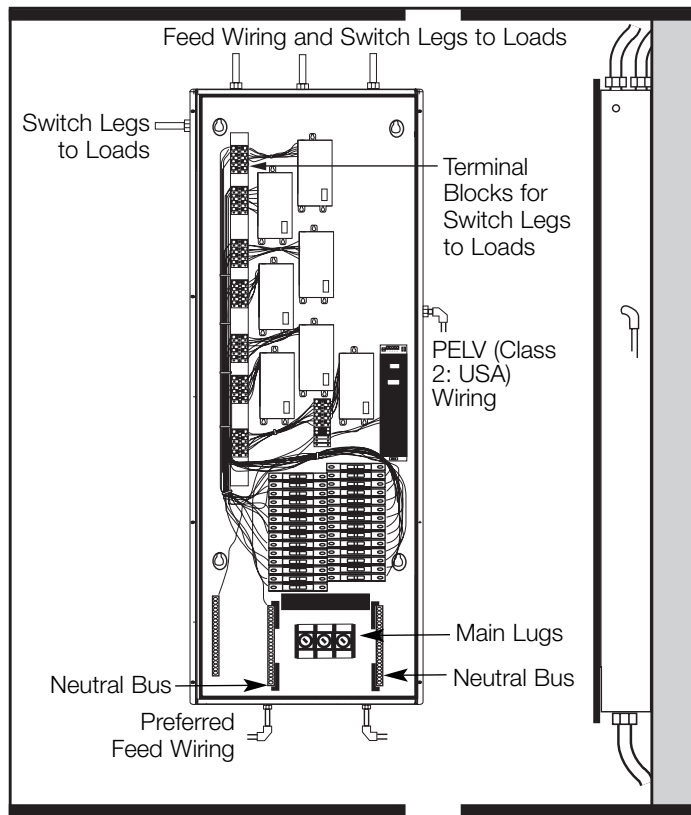
## Mounting for Large and Extra-Large XP

- Surface mount indoors.
- Mount only where ambient temperature is 32-104 °F (0-40 °C).
- Large XP Panel weighs 135 pounds (61.3 kg). Extra-Large XP Panel weighs 200 pounds (90.7 kg). Reinforce wall structure for weight and local codes.
- Mount Panel where audible noise is acceptable. (Internal relays click.)
- Mount Panel so line (mains) voltage wiring is at least 6 feet (1.8 m) from sound or electronic equipment and wiring.
- Mount Panel within 7° of true vertical.
- Lutron recommends 1/4" (6 mm) mounting bolts.

Maximum Feed and Wire Sizes  
Consult Wiring Overview page.

Front View

Side View



<b>Job Name:</b>	<b>Model Numbers:</b>
<b>Job Number:</b>	

## Feed Through XP Wiring Overview

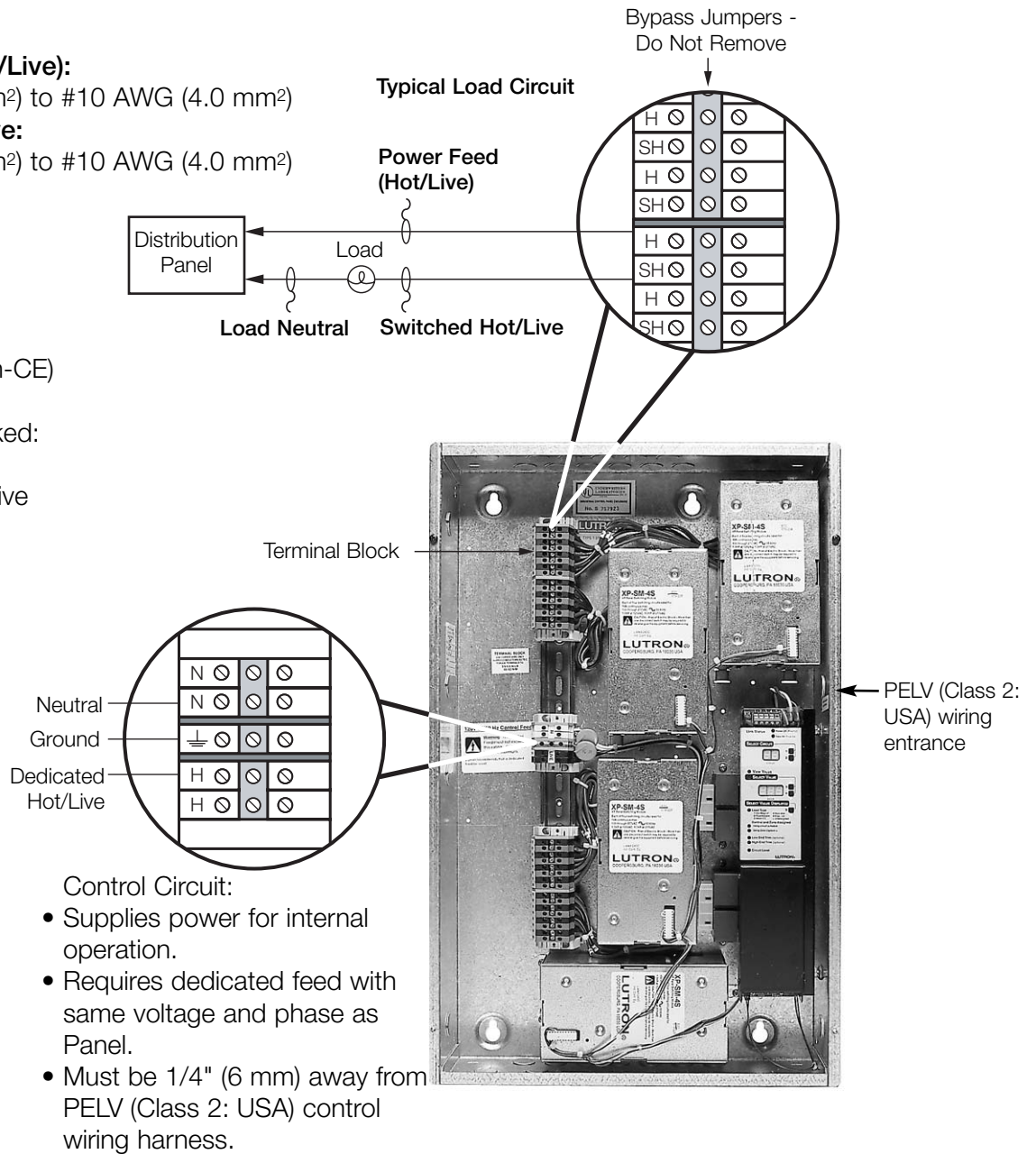
- Use a trough when the XP Panel is far away from the Distribution Panel. Splice Neutrals in trough.
- Wire the XP similar to a lighting distribution panel. Run feed and load wiring.
- Use the XP to provide temporary lighting by leaving the bypass jumpers in place and using branch circuit breakers to switch lights on and off.

### Wire Sizes

- **Power Feed (Hot/Live):**  
#14 AWG (2.0 mm<sup>2</sup>) to #10 AWG (4.0 mm<sup>2</sup>)
- **Switched Hot/Live:**  
#14 AWG (2.0 mm<sup>2</sup>) to #10 AWG (4.0 mm<sup>2</sup>)

Note:  
220-240 V~ (non-CE)  
and 230 V~ (CE)  
terminals are marked:

- L for Live
- SL for Switched Live



<b>Job Name:</b>	<b>Model Numbers:</b>
<b>Job Number:</b>	



## XP with Branch Circuit Breakers Wiring Overview

- Wire the XP similar to a lighting distribution panel.  
Run feed and load wiring.
- Use the XP to provide temporary lighting by leaving the bypass jumpers in place and using branch circuit breakers to switch lights on and off.

### Wire Sizes

- **Power Feed (Hot/Live):**

- 100-127 V~ #4 AWG (25 mm<sup>2</sup>) to 250 KCMIL (MCM) (185 mm<sup>2</sup>)
- 220-240 V~ 2.5 mm<sup>2</sup> to 35 mm<sup>2</sup>
- 230 V~ (CE) 2.5 mm<sup>2</sup> to 35 mm<sup>2</sup>
- 277 V~/347 V~ #4 AWG (25 mm<sup>2</sup>) to 300 KCMIL (MCM) (120 mm<sup>2</sup>)

- **Switched Hot/Live:**

- #14 AWG (2.0 mm<sup>2</sup>) to #10 AWG (4.0 mm<sup>2</sup>)

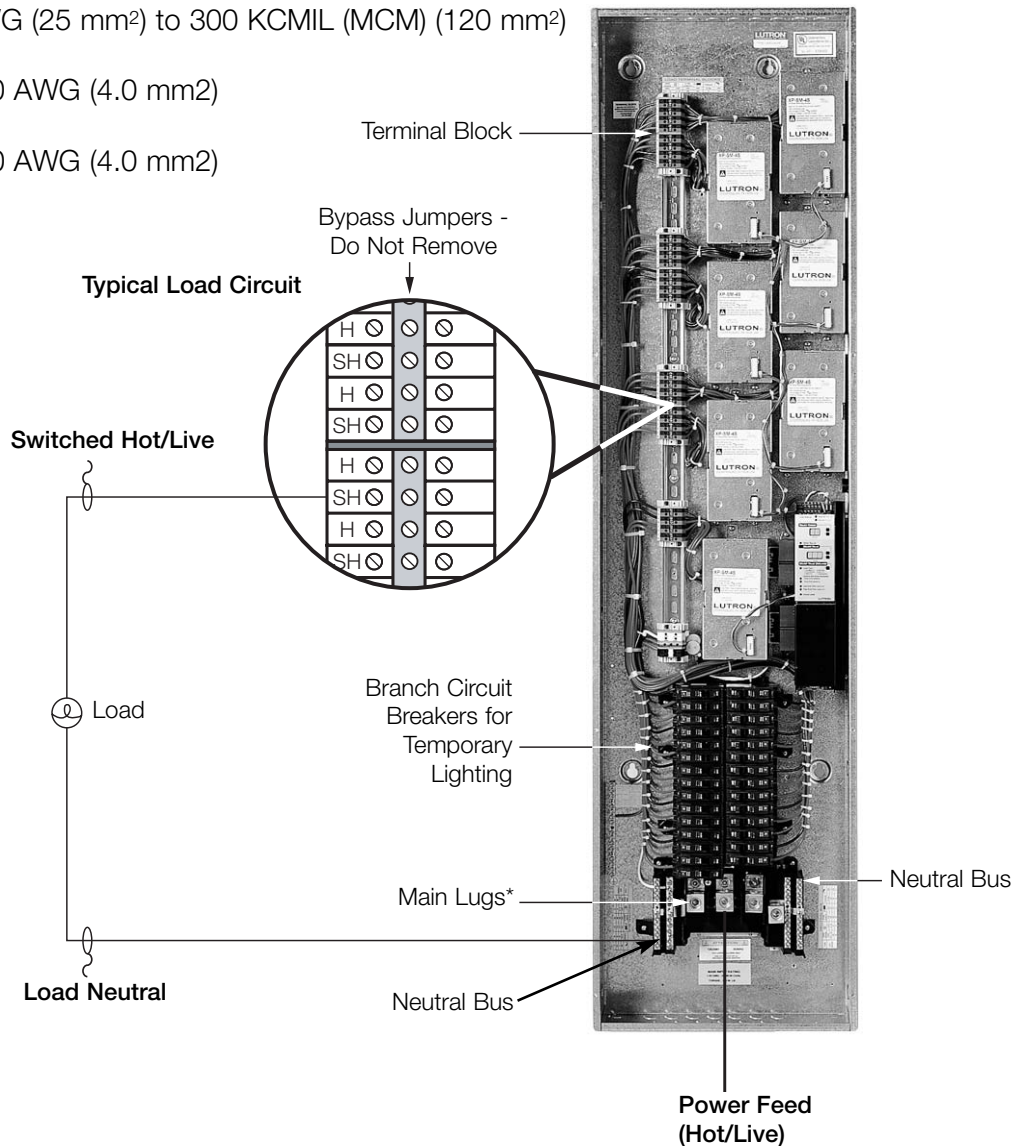
- **Load Neutral:**

- #14 AWG (2.0 mm<sup>2</sup>) to #10 AWG (4.0 mm<sup>2</sup>)

Note:

220-240 V~ (non-CE)  
and 230 V~ (CE)  
terminals are marked:

- L for Live
- SL for Switched Live



\* Isolator Switch for 220-240 V~ and 230 V~ Panels

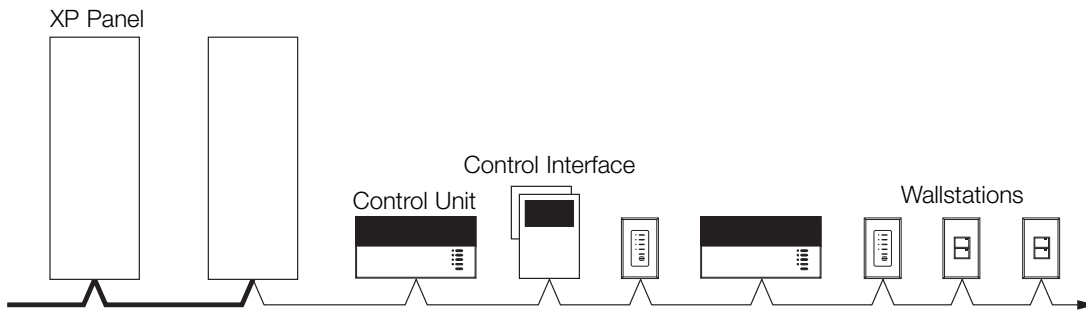
<b>Job Name:</b>	<b>Model Numbers:</b>
<b>Job Number:</b>	

### Low-Voltage PELV (Class 2: USA) Wiring (All Models)

System communications use low-voltage PELV (Class 2: USA) wiring.  
 Wiring must be daisy-chained.  
 Wiring must run separately from line (mains) voltage.

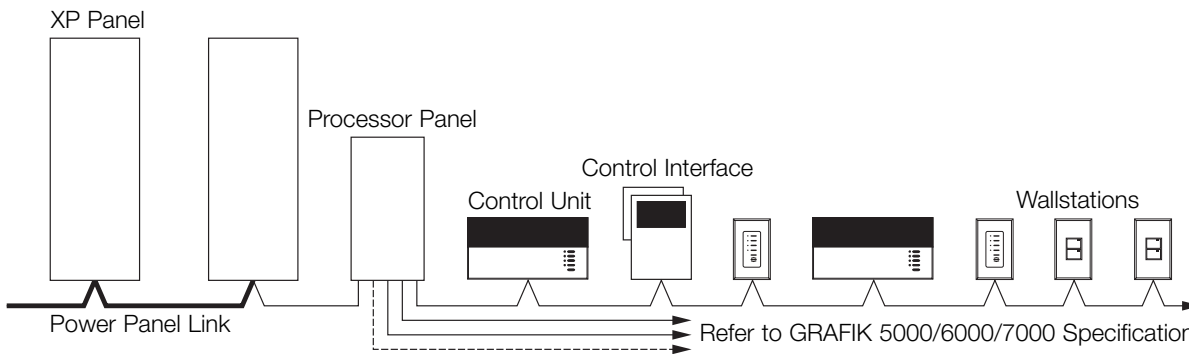
#### GRAFIK Eye® 4000 System

PELV (Class 2: USA) wiring link requires:  
 Two #12 AWG (2.5 mm<sup>2</sup>) conductors for control power.  
 One twisted, shielded pair of #18 AWG (1.0 mm<sup>2</sup>) for data link.  
 One #18 AWG (1.0 mm<sup>2</sup>) conductor for Emergency (Essential) sense line, from panel to panel.  
 Total length of Control Link may be no more than 2000 ft. (610 m).  
 Approved low-voltage cable is available from Lutron,<sup>1</sup> Belden, and Liberty. These are approved with #22 AWG (0.65 mm<sup>2</sup>) data link wires.



#### GRAFIK 5000™/6000®/7000® System

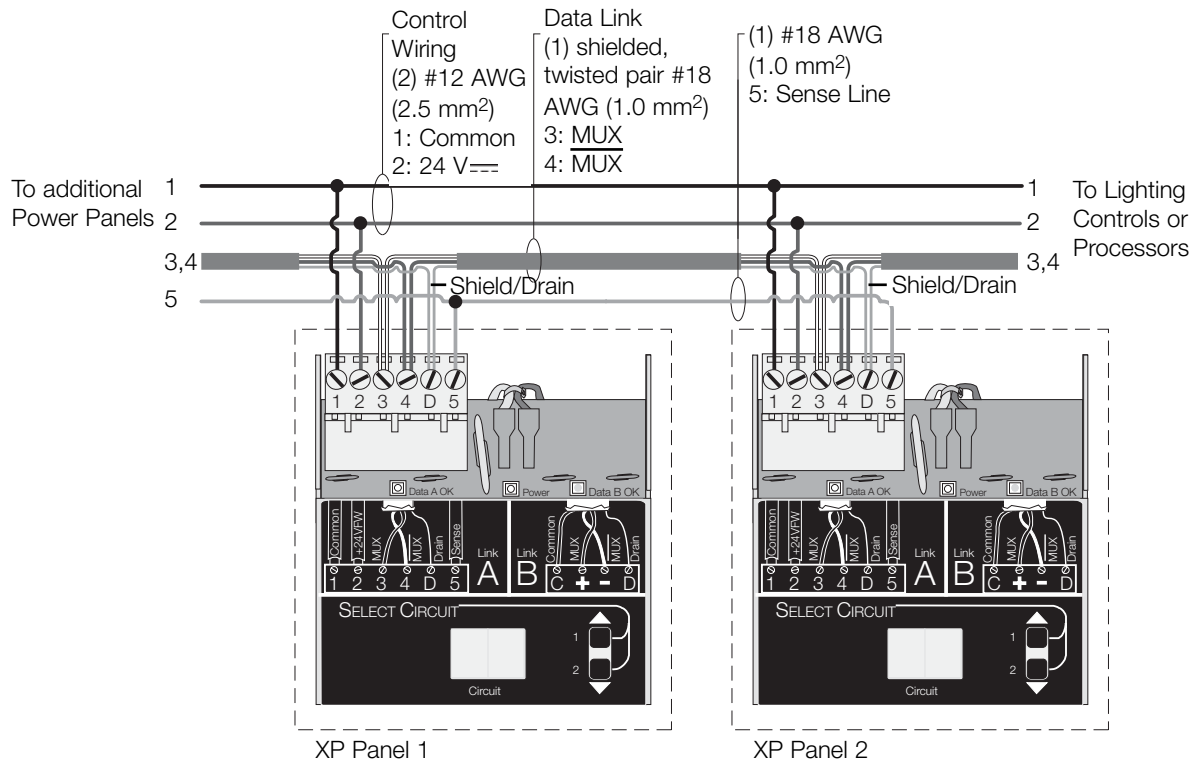
Class 2 (PELV) wiring link requires:  
 Two #12 AWG (2.5 mm<sup>2</sup>) conductors for control power.  
 One twisted, shielded pair of #18 AWG (1.0 mm<sup>2</sup>) for data link.  
 One #18 AWG (1.0 mm<sup>2</sup>) conductor for emergency (essential) sense line, from panel to panel.  
 Total length of Control Link may be no more than 2000 ft. (600 m).  
 If MUX-RPTR interface and GRX-CBL-46L cable<sup>1</sup> is used, length may be up to 4000 ft. (1200 m).



<sup>1</sup> GRX-CBL-46L PELV (Class 2: USA) wiring cable is available from Lutron and contains:  
 Two #12 AWG (2.5 mm<sup>2</sup>) conductors for control power.  
 One twisted, shielded pair of #22 AWG (0.625 mm<sup>2</sup>) for data link.  
 One #18 AWG (1.0 mm<sup>2</sup>) conductor for emergency (essential) sense line.

<b>Job Name:</b>	<b>Model Numbers:</b>
<b>Job Number:</b>	

### PELV (Class 2: USA) Panel-to-Panel Wiring (All Models)

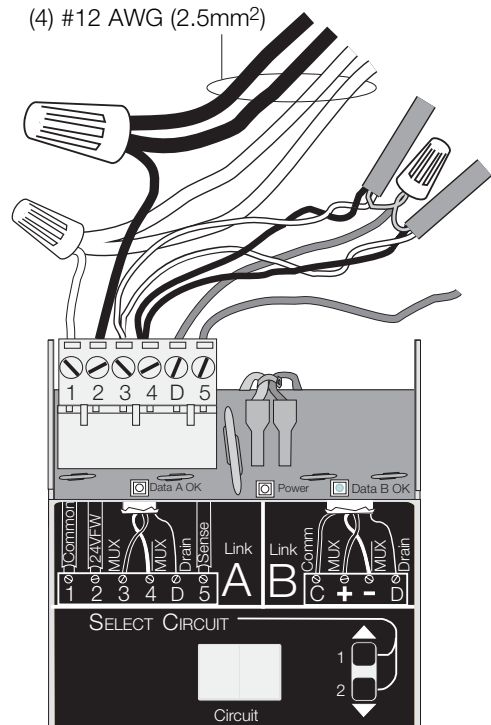


**Notes:**

- **Emergency Power:** The additional #18 AWG (1.0 mm<sup>2</sup>) wire is a “sense” line from terminal 5 of another Panel. This sense line allows an Emergency (Essential) Lighting Panel to “sense” when Normal (Non-Essential) power is lost. If more than one Emergency Lighting Panel needs to sense from a specific Normal Panel, a dedicated wire between each pair of Normal (Non-Essential) and Emergency (Essential) panels may be required.
- **Shield/Drain:** Connect shielding as shown. Do not connect to Ground (Earth) or Circuit Selector. Connect the bare drain wires and cut off the outside shield.

**PELV (Class 2: USA) Terminal Connections**

Each low-voltage PELV (Class 2: USA) terminal can accept only two #18 AWG (1.0 mm<sup>2</sup>) wires. Two #12 AWG (2.5 mm<sup>2</sup>) conductors will not fit. Connect as shown.



<b>Job Name:</b>	<b>Model Numbers:</b>
<b>Job Number:</b>	

## Options

Consult Lutron for ordering information, model numbers, and ship times. Dimensions and wiring may change based on options chosen.

Option	Description	Application
Branch Circuit Protection	<p>Branch Circuit Breakers with higher AIC ratings than those on standard Panels.</p> <p>Panels can also have Branch Circuit Breakers with special ratings such as:</p> <ul style="list-style-type: none"> <li>• GFI (Ground Fault Interrupt)</li> <li>• ELB (Earth Leakage Breaker)</li> <li>• RCD (Residual Circuit Device)</li> </ul>	
Lutron Ten Volt Module (TVM)	<p>Allows Panels to operate fluorescent ballasts that meet IEC 929 standards for 0-10 V<sub>ac</sub> control including:</p> <ul style="list-style-type: none"> <li>• Lutron's TVE ballasts</li> <li>• 0-10 V<sub>ac</sub> neon</li> <li>• PWM fluorescent</li> <li>• Tridonic® DSI (Digital Serial Interface)</li> </ul> <p>The TVM can sink or source 50 mA (typically 25-50 ballasts) on each circuit.</p>	Jobs with fluorescent ballasts that require 0-10 V <sub>ac</sub> , PWM, or DSI control.
2Link™	<ul style="list-style-type: none"> <li>• Allows a DMX512 theatrical console to operate Dimming Panels' load circuits.</li> <li>• Allows a GRAFIK Eye® 4000 Series to handle 128 zones (two links of 64 zones). The two links are independent and do not communicate.</li> <li>• Allows two GRAFIK Eye® 4000 Series to share the same Dimming Panel.</li> </ul>	<ul style="list-style-type: none"> <li>• Control of architectural lighting from a DMX512 theatrical console is required.</li> <li>• A mix of architectural and theatrical lighting is present.</li> <li>• Multiple systems without space to hang panels.</li> </ul>

Tridonic® is a registered trademark of Zumtobel AG.

<b>Job Name:</b>	<b>Model Numbers:</b>
<b>Job Number:</b>	