

Guarantee

UK: This fan is guaranteed against defects for 3 years from the date of purchase. Xpelair reserve the right to repair or replace the fan. Keep your purchase receipt. Any problems, contact the address below. Outside UK: See International section below.

Technical Advice & Service

UK - Xpelair have a comprehensive range of services including:
Free technical advice Help-Desk from Engineers on all aspects of ventilation.
Free design service, quotations and site surveys.
Outside UK: See International section below.
Please ask for details on:
Tel +44 (0) 8709 000430
Fax +44 (0) 8709 000530
Also at the address below

Head Office – UK Sales Office and Spares

Applied Energy Products Ltd, Morley Way, Peterborough, PE2 9JJ, England
Tel: +44 (0) 1733 456789
Fax: +44 (0) 1733 310606
Sales/Spares Hotline: +44 (0) 8709 000420
Sales/Spares Faxline: +44 (0) 8709 000520
Web: <http://www.xpelair.co.uk>

International

Guarantee – Contact your local distributor or Xpelair direct
Technical advice and Service - Contact your local Xpelair distributor.



applied energy



567-2066-02
Revision B

Xpelair Condensation Control Fans

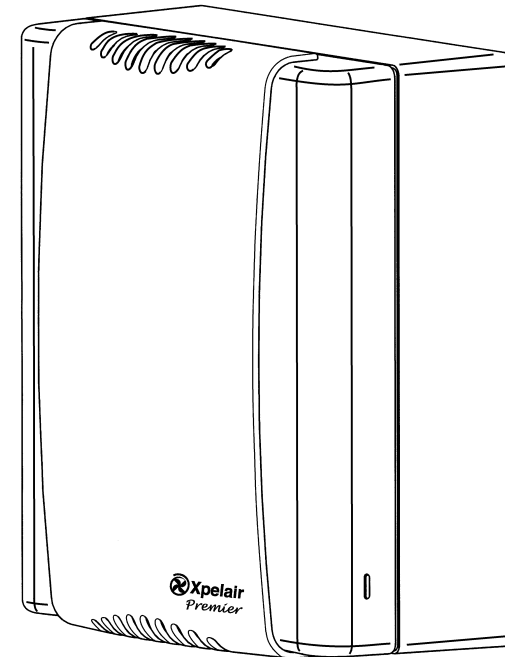
- ◆ CF20 Pull Cord
- ◆ CF20T Pull Cord/Timer

Remote Switched Centrifugal Ducted Fans

- ◆ DX200 Remote Switch
- ◆ DX200T Remote Switch/Timer

Installation and operating instructions

Please retain for end user's future reference



GB

F

D

NL

N

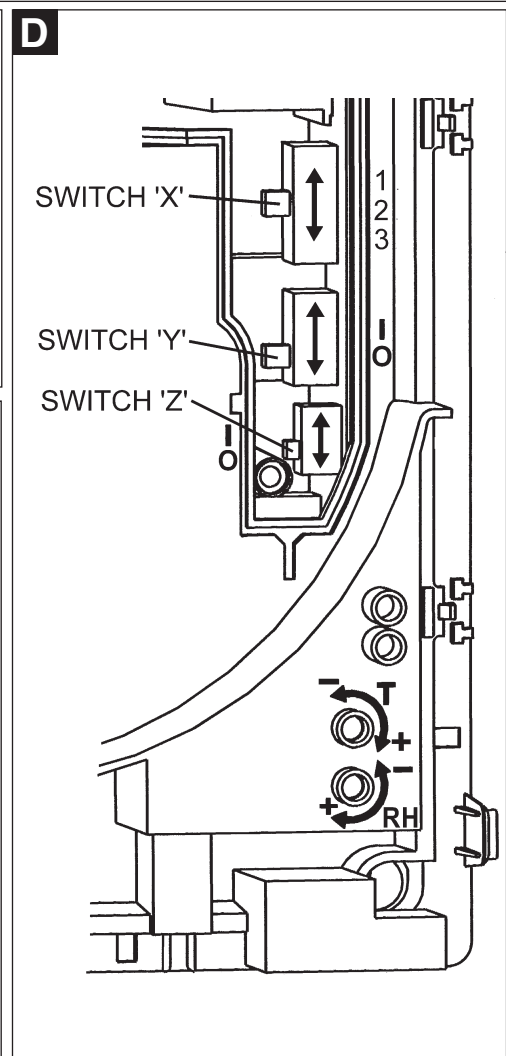
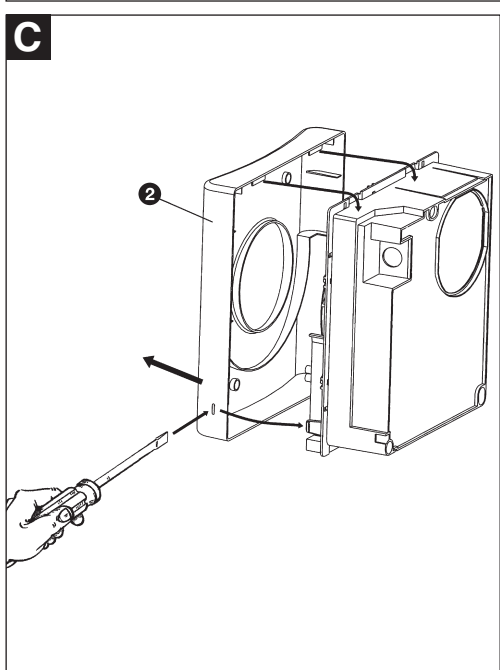
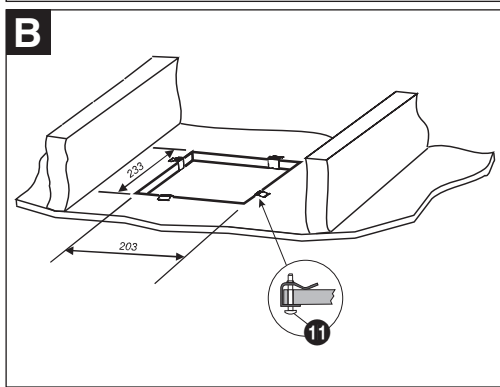
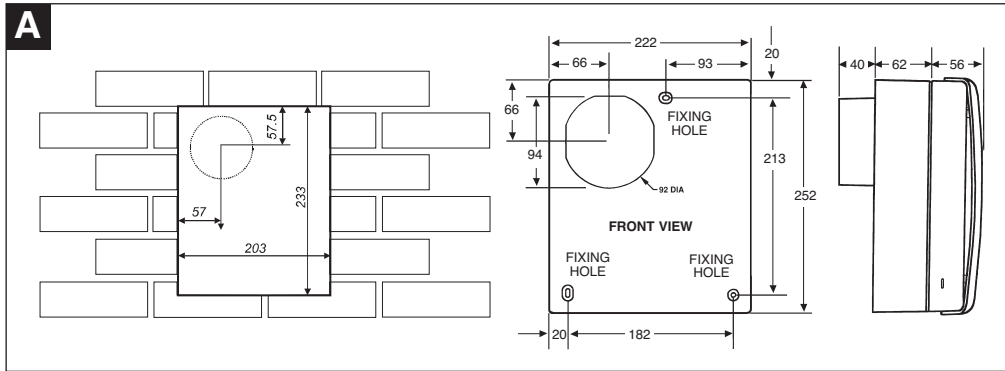
S

I

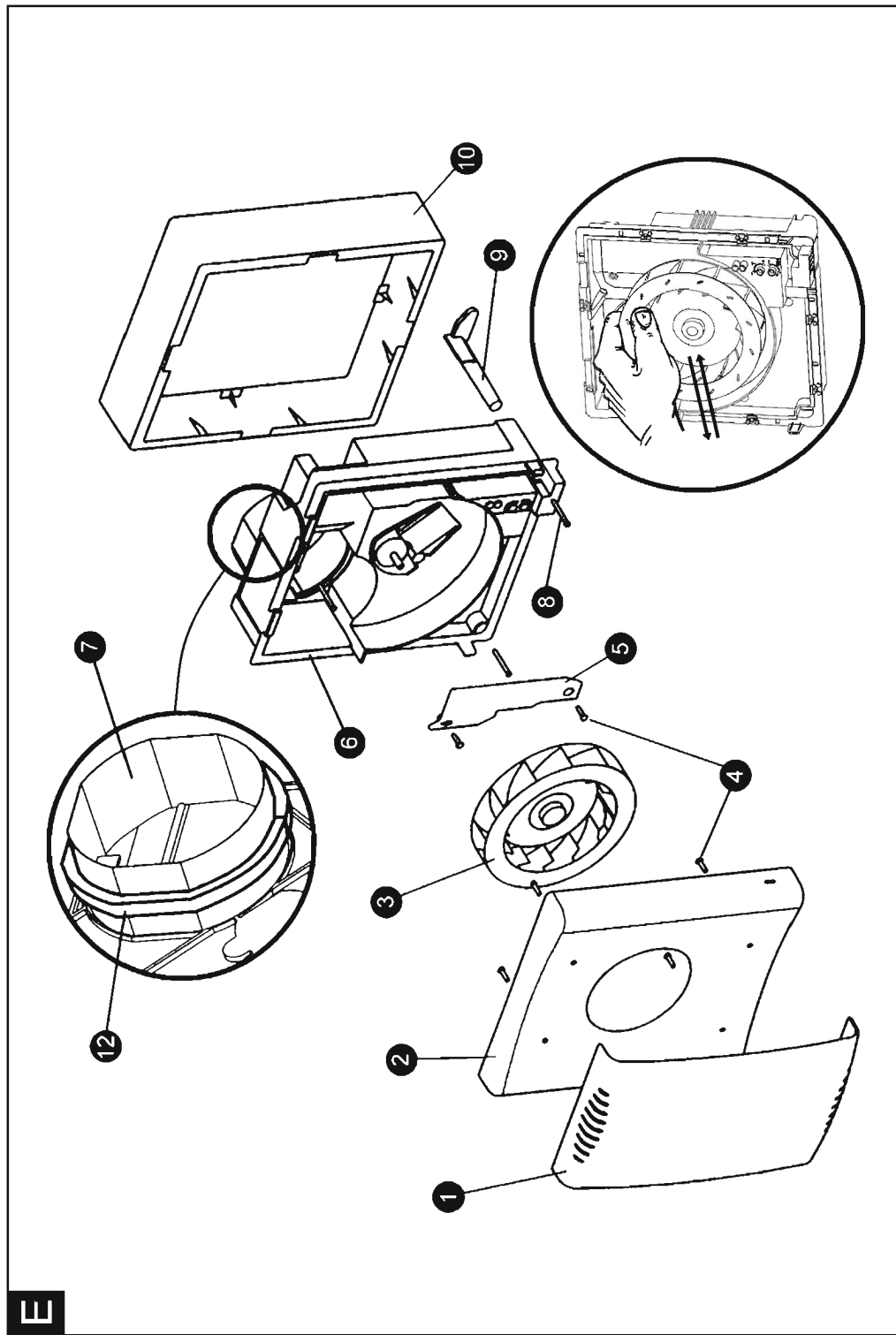
GR

a

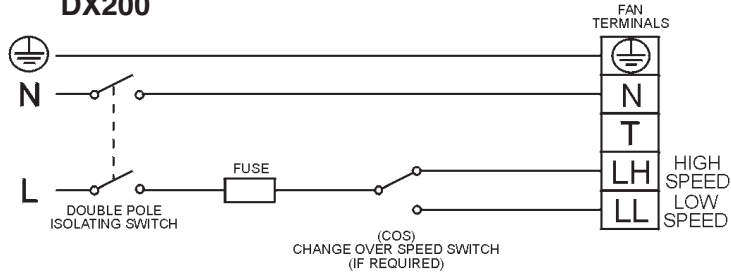
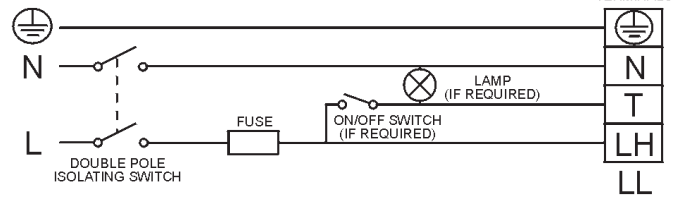
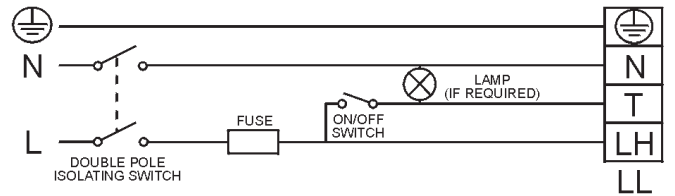
ES



Notes



E

F**DX200****CF20****CF20T / DX200T****a**

خيارات الملحقات المساعدة

لسرعة التركيب وسهولته يمكن ان تتطلب عملية التركيب بعض الملحقات المساعدة كما هي مدرجة ادناه:

WD100	أنبوب جداري
CFWG100	مصمبة جدارية
FDA	مهاين أنبوب مسطح
XCT100	محبس تكتيف
DGWIB	مصمبة باب لاستبدال الهواء
SP100	لوح ذيل الماسورة الدائري
XAA	مهاين الطوب الهوائي
VC10	قلنسوة غطاء المنفذ
WT10	عدة إنهاء أنابيب الهوائية
XF/FM	أنابيب هواء مسطحة (بلاستيك / معدن) (بلاستيك 234 x 29 ملم / معدنية 230 x 25 ملم)
VK10	عدة المنفذ الجداري
FD100	أنابيب هوائية مرنة
WDC5	مشابك دفع دووية
XCMK	عدة تركيب على السطح
XPB	مصراع تيار هوائي متحاذي خلفي
EFT	عدة إنهاء سهلة التثبيت
GMK	عدة تركيب زجاجي
PDXGF	مرشح (فلتر) زيت

ادناه بعض قطع الغيار المتوفرة. انظر الفلاف الأخير من الكراسي للاطلاع على تفاصيل التقدم بطلبية:

41520SK	عدة تثبيت (كاملة)
41528SK	ذيل الماسورة الدائري (بكل المقاييس)
41731SK	محرك (DX200)
41732SK	محرك (DX200T)
41733SK	محرك (CF20/CF20T/DX200T)
41782SK	(DX200T) PCB Assy
41735SK	(CF20) PCB Assy
41736SK	(CF20T) PCB Assy
41737SK	الغطاء الامامي (يقارن مع الحاجز) DX200
41738SK	الغطاء الامامي (يقارن مع الحاجز) DX200T
41739SK	الغطاء الامامي (يقارن مع الحاجز) CF20/CF20T
41740SK	قالب الطوب (بكل المقاييس)
41741SK	عدة تركيب العزل المتداني CF20/CF20T
41742SK	الدفاعة (بكل المقاييس)

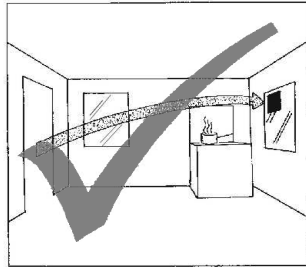
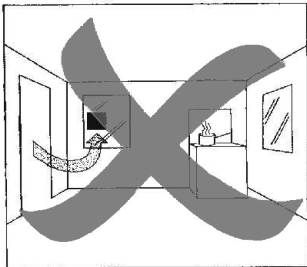
ES**Opciones auxiliares**

Para realizar la instalación rápida y fácilmente, puede necesitar algunos de los accesorios siguientes:

WD100	Conducto para pared
CFWG100	Rejilla para pared
FDA	Juego de adaptador para conducto plano
XCT100	Retenedor de condensación
DGW/B	Rejilla para la puerta de intercambio del aire
SP100	Placa del tubo
XAA	Adaptador para ladrillo ventilador
VC10	Portezuela de ventilación
WT10	Kit de terminación del conducto
XF/FM	Conducto plano (Plástico/Metal) (Plástico 234 x 29mm Metal 230 x 25mm)
VK10	Kit de ventilación para pared
FD100	Conducto flexible
WDC5	Sujetadores de tornillo sin fin
XCMK	Kit de montaje en techo
XPB	Obturador de contratiro
EFT	Kit de terminación de fácil instalación
GMK	Kit de montaje de cristal
PDXGF	Filtro de grasa

A continuación se listan algunos de los recambios disponibles. Remítase a la última página de este folleto para los detalles de pedido:

41520SK	Kit de reparación (kit completo)
41528SK	Tubo circular (gama completa)
41731SK	Motor (DX200)
41733SK	Motor (CF20/CF20T/ DX200T)
41782SK	Conjunto PCB (DX200T)
41735SK	Conjunto PCB (CF20)
41736SK	Conjunto PCB (CF20T)
41737SK	Cubierta delantera / Deflector (DX200)
41738SK	Cubierta delantera / Deflector (DX200T)
41739SK	Cubierta delantera / Deflector (CF20/CF20T)
41740SK	Moldura borde (gama completa)
41741SK	Conjunto de cordón (CF20/CF20T)
41742SK	Rotor (gama completa)

G

N

Tilbehør

For å forenkle installasjonen og spare tid, kan det være at din installasjon krever noe av tilbehøret som er listet opp nedenfor:

WD100	Vegg-gjennomføring
CFWG100	Vegg-gitter
FDA	Ustyrspakke med plant kanaladapter
XCT100	Kondensavskiller
DGW/B	Gitterluke for luftutskifting
SP100	Muffeplate
XAA	Luftadapter for mur
VC10	Avtrekksdeksel
WT10	Kanalavslutnings-sett
XF/FM	Plan rørrkanal (plast/metall) (plast 234 x 29 mm metall 230 x 25 mm)
VK10	Veggventil-sett
FD100	Fleksibel rørrkanal
WDC5	Snekkeskrue-klips
XCMK	Sett for montering i himling
XBP	In-line tilbakeløst klaff
EFT	Lettmontert avslutnings-sett
GMK	Sett for montering i vindu
PDXGF	Fettfilter

Nedenfor er det listet opp enkelte reservedeler som er tilgjengelige. Se baksiden på denne trykksaken for bestillingsinformasjon:

41520SK	Monterings-sett (komplett)
41528SK	Rund muffe (komplett)
41731SK	Motor (DX200)
41733SK	Motor (CF20/CF20T/DX200T)
41782SK	Kretskort-komponent (DX200T)
41735SK	Kretskort-komponent (CF20)
41736SK	Kretskort-komponent (CF20T)
41737SK	Frontdeksel kompl. med mottrykksplate (DX200)
41738SK	Frontdeksel kompl. med mottrykksplate (CF20)
41739SK	Frontdeksel kompl. med mottrykksplate (CF20/CF20T)
41740SK	Innfatningsprofil (komplett)
41741SK	Snorbryter-komponent (CF20/CF20T)
41742SK	Viftehjul (komplett)

S

Tillbehør

I listen nedan hittar du hjälpmedel som kan vara av nytta under installationen:

WD100	Väggtrumma
CFWG100	Väggaller
FDA	Adaptorsats för plantorsantering
XCT100	Kondensavledare
DGW/B	Luftregleringsgaller
SP100	Mufforbindningsplatta
XAA	Adapter
VC10	Ventilhuv
WT10	Avspänningssats
XF/FM	Planmontering (plast/metall) (plast 234 x 29 mm) (metall 230 x 25 mm)
VK10	Väggventilsats
FD100	Flexibel ledningsdragnig
WDC5	Skruvdriftsklämmor
XCMK	Takmonteringssats
XBP	Svart reglerventil
EFT	Avspänningssats
GMK	Glasmonteringssats
PDXGF	Smörjningsfilter

I listen nedan hittar du reservedelar. Du hittar beställningsinformation på denna bruksanvisnings baksida:

41520SK	Fastsättningssats (komplett)
41528SK	Mufforbindning (komplett sortiment)
41731SK	Motor (DX200)
41733SK	Motor (CF20/CF20T/DX200T)
41782SK	PCB-montering (DX200T)
41735SK	PCB-montering (CF20)
41736SK	PCB-montering (CF20T)
41737SK	Främre skydd med skärm (DX200)
41738SK	Främre skydd med skärm (DX200T)
41739SK	Främre skydd med skärm (CF20/CF20T)
41740SK	Ramformning (komplett sortiment)
41741SK	Dragspöresmontering (CF20/CF20T)
41742SK	Fläkthjul (komplett sortiment)

I

Accessori opzionali

Per un'installazione più facile e veloce, potrebbero essere necessari alcuni degli accessori sottoelencati:

WD100	Condotta per parete
CFWG100	Grata per parete
FDA	Kit adattatore per condotto piatto
XCT100	Pozzetto di intercettazione della condensa
DGW/B	Grata dello sportello di ricambio aria
SP100	Piastra di imbocco
XAA	Adattatore per mattoni trafilati
VC10	Cappottatura di ventilazione
WT10	Kit di terminazione condotti
XF/FM	Condotti piatti (plastica/metallo) (plastica 234 x 29mm, metallo 230 x 25mm)
VK10	Kit di ventilazione per parete
FD100	Condotti flessibili
WDC5	Fermagli a vite senza fine
XCMK	Kit di montaggio al soffitto
XBP	Otturatore in linea del tiraggio di ritorno
EFT	Kit di terminazione di facile montaggio
GMK	Kit per il montaggio su vetro
PDXGF	Filtro antigrasso

Qui di seguito sono elencati alcuni dei ricambi disponibili. Per informazioni su come ordinarli, consultare la quarta di copertina:

41520SK	Kit di fissaggio (kit intero)
41528SK	Imbocco a bicchiere circolare (intera gamma)
41731SK	Motorino (DX200)
41733SK	Motorino (CF20/CF20T/DX200T)
41782SK	Gruppo PCB (DX200T)
41735SK	Gruppo PCB (CF20)
41736SK	Gruppo PCB (CF20T)
41737SK	Coperchio anteriore completo di diaframma (DX200)
41738SK	Coperchio anteriore completo di diaframma (DX200T)
41739SK	Coperchio anteriore completo di diaframma (CF20/CF20T)
41740SK	Modanatura della cornice (intera gamma)
41741SK	Gruppo cordicella (CF20/CF20T)
41742SK	Girante (intera gamma)

GR

Συμπληρωματικές Επιλογές

Για γρήγορη και εύκολη εγκατάσταση, η εγκατάσταση σας μπορεί να χρειαστεί μερικά από τα Συμπληρωματικά που αναφέρονται πιο κάτω:

WD100	Αγωγός τοίχου
CFWG100	Κιγκλιδίωμα τοίχου
FDA	Προσαρμογέας επίπεδου αγωγού
XCT100	Ατμοπαγίδα
DGW/B	Κιγκλιδίωμα πόρτας
SP100	Πλάκα βύματος
XAA	Προσαρμογέας τούβλου αέρα
VC10	Κάλυμμα αεραγωγού
WT10	Σύνολο αγωγού τερματισμού
XF/FM	Επίπεδος αγωγός (πλαστικό/μέταλλο) (Πλαστικό 234 x 29 χιλ. Μέταλλο 230 x 25 χιλ.)
VK10	Σύνολο αεραγωγού τοίχου
FD100	Ευκαμπτος αγωγός
WDC5	Κλιπ οφιοειδούς κίνησης
XCMK	Σύνολο τοποθέτησης σε ταβάνι
XBP	Φράχτης οπισθοδρομικού ρεύματος in-line
EFT	Σύνολο τερματισμού εύκολης εφαρμογής
GMK	Σύνολο τοποθέτησης γυαλιού
PDXGF	Φίλτρο γράσου

Πιο κάτω αναφέρονται μερικά από τα διαθέσιμα ανταλλακτικά. Συμβουλευθείτε την πίσω όψη του παρόντος φυλλαδίου για λεπτομέρειες παραγγελίας:

41520SK	Σύνολο στερέωσης (ολόκληρο σύνολο)
41528SK	Κυκλικό βύμα
41731SK	Μοτέρ (DX200)
41733SK	Μοτέρ (CF20/CF20T/DX200T)
41782SK	Μοτέρ (DX200)
41735SK	Μοτέρ (CF20/CF20T/DX200T)
41736SK	Μοτέρ (CF20/CF20T/DX200T)
41737SK	Μοτέρ (DX200)
41738SK	Μοτέρ (CF20/CF20T/DX200T)
41739SK	Μοτέρ (DX200)
41740SK	Μοτέρ (CF20/CF20T/DX200T)
41741SK	Μοτέρ (DX200)
41742SK	Μοτέρ (CF20/CF20T/DX200T)

GB

IMPORTANT

- READ ALL THESE INSTRUCTIONS & WARNINGS FULLY BEFORE COMMENCING INSTALLATION.
- INSTALLATIONS AND WIRING MUST CONFORM TO CURRENT IEE REGULATIONS (UK), LOCAL OR APPROPRIATE REGULATIONS (OTHER COUNTRIES). IT IS THE INSTALLER'S RESPONSIBILITY TO ENSURE THAT THE APPROPRIATE BUILDING CODES OF PRACTICE ARE ADHERED TO.
- A QUALIFIED ELECTRICIAN MUST SUPERVISE ALL INSTALLATIONS.
- THESE APPLIANCES ARE INTENDED FOR CONNECTION TO FIXED WIRING.
- CHECK THAT THE ELECTRICAL RATING SHOWN ON THE FAN MATCHES THE MAINS SUPPLY.
- WARNING: THESE APPLIANCES MUST BE EARTHED.**
- SITE AWAY FROM DIRECT SOURCES OF HEAT (I.E. GAS COOKERS OR EYE LEVEL GRILLS) AND NOT WHERE AMBIENT TEMPERATURES ARE LIKELY TO EXCEED 50°C.
- WHEN THE FAN IS INSTALLED IN A ROOM CONTAINING A FUEL BURNING APPLIANCE, PRECAUTIONS MUST BE TAKEN TO AVOID THE BACKFLOW OF GASES INTO THE ROOM FROM THE OPEN FLUE OF THE FUEL BURNING APPLIANCE.
- ENSURE THAT ALL RELEVANT SAFETY PRECAUTIONS (CORRECT EYE PROTECTION AND PROTECTIVE CLOTHING ETC) ARE TAKEN WHEN INSTALLING, OPERATING AND MAINTAINING THIS FAN.
- GENERAL GUIDANCE FOR SITING THE FAN SEE "FIG G". ALWAYS SITE THE FAN AS HIGH AS POSSIBLE.
- IF ANY SECTION OF THE DUCTWORK IS POSITIONED HIGHER THAN THE FAN A CONDENSATION TRAP (XCT100) MUST BE FITTED AS CLOSE AS POSSIBLE TO THE FAN.
- THIS APPLIANCE IS NOT INTENDED FOR USE BY PERSONS (INCLUDING CHILDREN AND THE INFIRM) WITH REDUCED PHYSICAL, SENSORY OR MENTAL CAPABILITIES, OR LACK OF EXPERIENCE AND KNOWLEDGE, UNLESS THEY HAVE BEEN GIVEN SUPERVISION OR INSTRUCTION CONCERNING USE OF THE APPLIANCE BY A PERSON RESPONSIBLE FOR THEIR SAFETY. CHILDREN SHOULD BE SUPERVISED TO ENSURE THAT THEY DO NOT PLAY WITH THE APPLIANCE.

For speed and ease of installation, your installation may require some of the Ancillaries indicated in "Ancillary Options".

If installing on a wall (surface mounting)

- Mark on the wall the centre of the duct hole **A**.
- Use this centre to cut an opening through the wall 117mm dia, with a slight fall to the exterior.
- Fit the wall duct (WD100), not supplied, and mortar into place.

If installing on a wall (flush mounting)

- Mark on the wall the centre of the duct hole **A**, and drill a pilot hole through both walls at a slight downward angle.
- Use the centre to mark a rectangular hole for the inner wall using the dimensions **A**.
- Cut the rectangular hole through the inner wall.
- Go outside and cut a 117mm-diameter hole in the outer wall using the small hole as the centre.
- Measure the wall thickness. Cut the wall duct (WD100), not supplied, so that it is 64mm less than the wall thickness.

If installing in a ceiling (surface mounting)

This method requires a space above the ceiling, such as a loft or attic, to provide access for 100mm internal diameter ducting.

- Mark on the ceiling the centre of the duct hole **A**, avoiding ceiling joists and buried cables etc.
- Cut a 117mm-diameter hole using the marked centre.

If installing in a ceiling (flush mounting)

- For 100mm diameter ducting:
- Mark a rectangular hole using the dimensions **B**.
 - Cut the hole, avoiding ceiling joists and buried cables etc.
- For flat ducting:
- This fan can be installed within a 47mm void without the circular spigot **7** (Fig. **E**). Flat ducting adapter kit (FDA) available.

Preparing the fan for installation

- Remove the front cover **2** (Fig. **C**).
- Fit the foam tape **3** supplied around the circular spigot **7** (Fig. **E**).
- Remove the electrical cover **4** (Fig. **E**). The impeller can be removed to ease access (if required). This is a "push-on/pull-off" assembly.

Setting the fan speed

DX200T / CF20 / CF20T Only (Fig. **D**)

- The correct condensation control speed (CF20/CF20T) or operating speed (DX200T) should be selected to suit the room size in which the fan is to be installed. Slide the switch **X** to the required position. Please note that the fan is factory set to "Position 2".
 - Switch Position
- | | |
|---|-------------------------|
| 1 | Size / Room Volume (m³) |
| 2 | Large (34 and above) |
| 3 | Medium (28 – 34) |
| | Small (less than 28) |

Setting the trickle speed

DX200T / CF20 / CF20T Only (Fig. **D**)

- The fan can be set so that it provides constant trickle extraction. Slide the switch **Y** to the required position. Please note that the fan is factory set to "Position 0".
 - Switch Position
- | | |
|---|------------------------|
| 0 | Setting |
| 1 | Trickle extraction OFF |
| | Trickle extraction ON |

Setting the time delay start

DX200T / CF20T Only (Fig. **D**)

- The fan can be set so that there is a 2-minute delayed start to its operation when used with an external on/off switch. Slide the switch **Z** to the required position. Please note that the fan is factory set to "Position 0".
 - Switch Position
- | | |
|---|----------------------|
| 0 | Setting |
| 1 | Time delay start OFF |
| | Time delay start ON |

Mounting the fan on a wall or ceiling (surface mounting)

- Place the ducting into the hole and align to the required position. If wall mounting, ensure that the ducting slopes down and away from the fan.
- Mark the positions of the three fixing holes **A** in Fan box **6** (Fig. **E**).
- If wall mounting, drill three holes 5.5mm diameter for wall plugs (supplied). If ceiling mounting **B**, use appropriate fasteners (not supplied).
- Cut out the cable inlet hole, if required, in the surround **10** and slit the cable grommet. Slide the surround **10** over the fan box **6**.
- Pass the electrical cables into the fan box **6** through the rear cable inlet hole and surround, and re-fit the cable grommet. **Ensure that cable grommet is in place and a tight fit.**
- Offer the fan box **6** up to the wall or ceiling. Ensure the circular spigot **7** enters the ducting.
- Fit the fan box **6** to the wall using screws **8** or to the ceiling using appropriate fasteners (not supplied).

If mounting in a wall (flush mounting)

The surround **10** is not required. Fit the ducting to the circular spigot **7**.

If the hole size is as recommended:

- Assemble the three fan body clamps **9** to the fan box **6** using screws **8**.
- Slit the cable grommet. Pass the electrical cables into the fan box **6** through the cable inlet hole and cable grommet. **Ensure cable grommet is in place and a tight fit.**
- Offer the fan box **6** up to the wall.
- Tighten up the three screws **8** until the fan is clamped to the inner wall. The fan body clamps **9** will rotate to an automatic stop position. **DO NOT OVERTIGHTEN.**

If the hole size is larger than recommended i.e.: larger than the flange on the fan box **6** (Mostly relating to "retro-fit" installations):

- The fan body clamps ARE NOT suitable. Construct a wooden frame of INTERNAL dimensions 203 x 233mm. Depth should be at least 50mm. Fit the

- wooden frame into the internal wall and make good the hole.
- Offer the fan box **6** up to the wall.
 - Screw the fan box **6** to the wooden frame using the slots in the flange (screws not supplied).

If mounting in a ceiling (flush mounting)

- The surround **10** is not required.
 - Insert the fan box **6** into the hole and mark four positions using the slots in the flange **3**.
 - Remove the fan box **6** from ceiling and fit the four ceiling clips (supplied) over the edge of the hole, so that the clips align with the marks on the ceiling **5**.
 - Drill 4 pilot holes into the ceiling through the hole of each clip, ensuring not to damage the clip.
 - Fit the ducting to the circular spigot **7**.
 - Offer the fan box **6** up to the ceiling.
 - Slit the cable grommet. Pass the electrical cable into the fan box **6** through the front cable inlet hole.
- Ensure cable grommet is in place and a tight fit.**
- Using the screws **11** (Fig. **3**), fix the fan box flange to the ceiling clips.

Terminating the ducting

Fit an outer grille (such as CFWG100, not supplied in the DX200/DX200T) to the outer wall. For ceiling mounting, use appropriate ancillaries (not supplied).

Wire the electrical connections

WARNING! THIS APPLIANCE MUST BE EARTHED

- Isolate the electricity supply and remove all fuses.**
The terminal block will accept cable up to 1.5mm²
- A means for disconnection in all poles must be incorporated in the fixed wiring in accordance with the wiring regulations.
- Use suitably rated 3-core or 4-core cable dependant on application.
- Remove the retaining screws of the terminal cover, if still in position.
- Wire the fan as shown in **1** using the cable clamp provided. Check fan model to diagram.
DX200: "LH" =Live (High Speed) / "LL" = Live(Low Speed)
- Replace the terminal cover **5** and fasten the retaining screws.
- See section on "User adjustments" if you wish to use settings other than those that have been factory set.
- Refit the front cover(Fig.**3**).
- Connect the cable from the isolating switch to electrical supply wiring, and re-check installation.
- Refit fuses before turning on electricity supply.
- For fixed wiring circuits, the protective fuse for the appliance must not exceed 5A.

For Australia Only

CF20 – Connection to the supply - flexible 3-core cable with 3 pin plug top for insertion into an approved 10A wall mounted surface switch with at least 3mm clearance between contacts.

ALL OTHERS – Permanently connected to the supply and a remote switch controls operation. They should be directly wired to the supply through an approved 10A wall mounted surface switch with at least 3mm clearance between contacts.

User adjustments

Before making any adjustments, isolate the fan completely from the mains supply, check specification below to see which features apply to your fan.

- Remove the front cover and replace after adjustment (Fig. **3**).

DX200

There are no user adjustments for this fan.

DX200T

- The timer over-run period can be adjusted between approximately 30 seconds and 20 minutes. Use an electrician's screwdriver and turn screw "T" (Fig. **D**), clockwise to increase time, anti-clockwise to decrease. (Factory preset to approximately 10 minutes)

CF20

- The humidity setting is adjustable between approximately 50% and 90% relative humidity. Use an electrician's screwdriver, and turn screw "RH" (Fig. **D**), clockwise to increase the relative humidity setting and anti-clockwise to decrease. (Note: the fan is more sensitive at 50% RH than at 90% and is factory preset to approximately 70%).

CF20T

- The timer over-run period can be adjusted between approximately 30 seconds and 20 minutes. Use an electrician's screwdriver and turn screw "T" (Fig. **D**), clockwise to increase time, anti-clockwise to decrease.
- The humidity setting is adjustable between approximately 50% and 90% relative humidity. Use an electrician's screwdriver, and turn screw "RH" (Fig. **D**), clockwise to increase the relative humidity setting and anti-clockwise to decrease. (Note: the fan is more sensitive at 50% RH than at 90%).

Using the fan

DX200

Operate the fan using the external on/off switch. Repeat to switch off. The fan speed is pre-set by the installer to either high or low speed. (If a change over switch has been installed then the user can switch between high speed and low speed.)

DX200T

Operate the fan using the external on/off switch. Repeat to switch off. When the switch is turned off, the fan continues to operate for the selected over-run timer period. Top Light "I" is lit when the external on/off switch is switched on. The fan speed is pre-set by the installer to either high, medium or low speed.

Time delay start feature on or off

This is set by the installer to provide a 2-minute time delay start when the fan is switched on using the external on/off switch.

CF20 / CF20T

Switched Operation

The fan can be wired with a separate on/off switch. Fan operates at condensation speed when switched on. Top "Light I" is lit when the separate on/off switch is switched on. When switched off, the fan will continue to operate if the humidity level exceeds the set level. CF20T only: When switched off, the fan continues to operate at condensation speed for the adjustable timer over-run period.

Condensation Operation

The fan operates at condensation control speed, when the relative humidity exceeds the set level, and turns off when the humidity drops.

Boost Operation

The integral pull cord switch switches the fan to run at high speed. Bottom "Light II" is lit when the fan is operating at high speed.
Note: If the separate on/off switch and integral pull cord are both on, then Lights "I" and "II" will both be lit and the fan will run at high speed.

CF20T only

Time delay start feature on or off

This is set by the installer to provide a 2-minute time delay start when the fan is switched on using a separate on/off switch.

Cleaning

Before cleaning, isolate the fan completely from the mains supply

Only clean the external surface of the fan, using a damp lint free cloth. Do not use strong detergents, solvents or chemical cleaners
Allow fan to dry thoroughly before use.
Apart from cleaning, no other maintenance is required.

Key See Diagram **E**

- | | |
|-------------------|--|
| 1. Baffle Plate | 7. Circular Spigot |
| 2. Front Cover | 8. Clamp screws and wall plugs - 3 off |
| 3. Impeller | 9. Fan Body Clamps – 3 off |
| 4. Fixing Screws | 10. Surround |
| 5. Terminal Cover | 11. Ceiling Screws 25mm long 4 off (Diagram B) |
| 6. Fan Box | 12. Foam Tape |

PLEASE LEAVE THIS LEAFLET WITH THE FAN FOR THE BENEFIT OF THE USER

GB

Ancillary Options

For speed and ease of installation, your installation may require some of the Ancillaries listed below:

WD100	Wall Duct
CFWG100	Wall Grille
FDA	Flat Duct Adaptor Kit
XCT100	Condensation Trap
DGW/B	Air Replacement Door Grille
SP100	Spigot Plate
XAA	Air Brick Adaptor
VC10	Vent Cowl
WT10	Termination Ducting Kit
XF/FM	Flat Ducting (Plastic/Metal) (Plastic 234 x 29mm Metal 230 x 25mm)
VK10	Wall Vent Kit
FD100	Flexible Ducting
WDC5	Worm Drive Clips
XCMK	Ceiling Mounting Kit
XBP	In-Line Back Draught Shutter
EFT	Easy Fit Termination Kit
GMK	Glass Mounting Kit
PDXGF	Grease Filter

Listed below are some of the spares available. See back page of this booklet for ordering details:

41520SK	Fixing kit (Entire kit)
41528SK	Circular Spigot (Entire Range)
41731SK	Motor (DX200)
41733SK	Motor (CF20/CF20T/DX200T)
41782SK	PCB Assy (DX200T)
41735SK	PCB Assy (CF20)
41736SK	PCB Assy (CF20T)
41737SK	Front Cover c/w Baffle (DX200)
41738SK	Front Cover c/w Baffle (DX200T)
41739SK	Front Cover c/w Baffle (CF20/CF20T)
41740SK	Surround Moulding (Entire Range)
41741SK	Pull cord assembly (CF20/CF20T)
41742SK	Impeller (Entire Range)
41520SK	Kit de fixation (Kit complet)
41528SK	Ergot circulaire (gamme complète)
41731SK	Moteur (DX200)
41733SK	Moteur (CF20/CF20T/DX200T)
41782SK	Carte imprimée (DX200T)
41735SK	Carte imprimée (CF20)
41736SK	Carte imprimée (CF20T)
41737SK	Couvercle avant avec chicane (DX200)
41738SK	Couvercle avant avec chicane (DX200T)
41739SK	Couvercle avant avec chicane (CF20/CF20T)
41740SK	Moulure de cadre (gamme complète)
41741SK	Ens. interrupteur à cordon (CF20/CF20T)
41742SK	Hélice (gamme complète)
41520SK	Kit d'adaptateur de conduit plat
XCT100	Trappe de condensation
DGW/B	Grille de porte de remplacement d'air
SP100	Plaquette pour ergot perforée
VC10	Capuchon d'évent
WT10	Kit de terminaison de conduit
XF/FM	Conduit plat (Plastique/Métallique) (Plastique 234 x 29 mm Métallique 230 x 25 mm)
VK10	Kit pour évent mural
FD100	Conduit flexible
WDC5	Colliers à serrage par vis sans fin
XCMK	Kit pour montage au plafond
XBP	Obturbateur de refoulement en ligne
EFT	Kit de terminaisons à encliqueter
GMK	Kit de pose sur une vitre
PDXGF	Filtre de graisse
Liste de quelques pièces de rechange : Pour la commande, prière de se reporter à la dernière page de cette notice :	

F

Accessoires en option

Pour une installation rapide et facile, il est préconisé de se munir des accessoires figurant sur la liste ci-dessous :

WD100	Conduit mural
CFWG100	Grille murale
FDA	Kit d'adaptateur de conduit plat
XCT100	Trappe de condensation
DGW/B	Grille de porte de remplacement d'air
SP100	Plaquette pour ergot perforée
XAA	Adaptateur de brique
VC10	Capuchon d'évent
WT10	Kit de terminaison de conduit
XF/FM	Conduit plat (Plastique/Métallique) (Plastique 234 x 29 mm Métallique 230 x 25 mm)
VK10	Kit pour évent mural
FD100	Conduit flexible
WDC5	Colliers à serrage par vis sans fin
XCMK	Kit pour montage au plafond
XBP	Obturbateur de refoulement en ligne
EFT	Kit de terminaisons à encliqueter
GMK	Kit de pose sur une vitre
PDXGF	Filtre de graisse
Liste de quelques pièces de rechange : Pour la commande, prière de se reporter à la dernière page de cette notice :	

D

Zubehör

Die unten aufgeführten Produkte unterstützen eine schnelle und problemlose Installation:

WD100	Wandrohr
CFWG100	Wandgitter
FDA	Flachrohr-Adapter
XCT100	Kondensationstalle
DGW/B	Luftaustauschürgitter
SP100	Zapfenplatte
XAA	Luftziegel-Adapter
VC10	Lüftungskappe
WT10	Bausatz für Rohrabbruch/ Rohrabschluss
XF/FM	Flachrohr (Kunststoff/Metall) Kunststoff 234 x 29 mm, Metall 230 x 25 mm
VK10	Bausatz für Wandlüftungs Flexibles Rohr
FD100	Schneckenantriebsklemmen
WDC5	Bausatz für Deckenmontage
XCMK	In-Line-Durchzugsklappe für die Rückseite
XBP	„Easy Fit“ Bausatz für Rohrabbruch/ Rohrabschluss
EFT	Bausatz für Glasmontage
GMK	Fettfilter
PDXGF	Fettfilter
Unten aufgeführt sind einige Ersatzteile. Auf der Rückseite dieses Hefts finden Sie Einzelheiten über die Bestellung:	

NL

Accessoireopties

Voor snelheid en gemak van installatie is het mogelijk dat u sommige van de onderstaande accessoires nodig heeft.

WD100	Muurdoovoer
CFWG100	Muurrooster
FDA	Adapterkit voor plat kanaal
XCT100	Condensaatvanger
DGW/B	Deurooster voor luchtverversing
SP100	Luchtinlaatplaat
XAA	Adapter voor gaatsteen
VC10	Uitlaatkap
WT10	Muurdooverset
XF/FM	Plat kanaal (plastic/metaal) (Plastic 234 x 29mm Metaal 230 x 25mm)
VK10	Muuruitlaatset
FD100	Flexibele slang
WDC5	Schroefdraadklemmen
XCMK	Plafondmontagekit
XBP	Gealigneerde achterste tochtklep
EFT	Gemakkelijk te monteren aansluitingset
GMK	Glasmontagekit
PDXGF	Oliefilter
Hieronder vindt u een lijst van verkrijgbare reserveonderdelen. Verwijs naar de achterste pagina voor het bestellen ervan.	

41520SK	Montageset (volledig set)
41528SK	Ronde luchtinlaat (volledige reeks)
41731SK	Motor (DX200) **
41732SK	Motor (DX200T) **
41733SK	Motor (CF20/CF20T/DX200T)
41734SK	PCB montage (DX200T)
41735SK	PCB montage (CF20)
41736SK	PCB montage (CF20T)
41737SK	Bovendeel ventilatorhuis met schermplaat (DX200)
41738SK	Bovendeel ventilatorhuis met schermplaat (DX200T)
41739SK	Bovendeel ventilatorhuis met schermplaat (CF20/CF20T)
41740SK	Lijstwerk voor montageplaat (volledige reeks)
41741SK	Trekkoordmontage (CF20/CF20T)
41742SK	Rotor (volledige reeks)

- La profundidad deber ser de por lo menos 50 mm. Monte el marco de madera en la pared interna y ajústelo en el agujero.
- 2. Sitúe la caja del ventilador **9** contra la pared.
- 3. Atomille la caja del ventilador **9** en el marco de madera usando las ranuras del saliente (los tornillos no se suministran).

Si se monta en el techo (montaje embudido)

- 1. No hace falta el borde **10**.
- 2. Introduzca la caja del ventilador **9** en el agujero y marque las cuatro posiciones con las ranuras en el saliente **13**.
- 3. Quite la caja del ventilador **9** del techo y ponga los cuatro sujetadores del techo (suministrados) por encima del borde del agujero, de forma que los sujetadores queden alineados con las marcas del techo **13**.
- 4. Taladre **4** agujeros de referencia en el techo por el agujero de cada sujetador, teniendo cuidado de no dañar el sujetador.
- 5. Monte el conducto en el tubo circular **7**.
- 6. Sitúe la caja del ventilador **9** contra el techo.
- 7. Corte el ojal del cable. Pase el cable eléctrico hasta el interior de la caja del ventilador **9** por el agujero de entrada del cable delantero.
- Asegúrese de que el ojal del cable esté en su sitio y bien ajustado.**
- 8. Con los tornillos **11** (Fig. **B1**), sujete el saliente de la caja del ventilador en los sujetadores del techo.

Acabado del conducto

Monte la rejilla exterior (por ejemplo la CFWG100, no suministrada de los modelos DX200/DX200T), en la pared exterior. Utilice los accesorios adecuados para el montaje en el techo (no suministrados).

Conexiones eléctricas

¡ADVERTENCIA! ESTE APARATO NECESITA TOMA DE TIERRA

- 1. **Aísle la toma de corriente y quite todos los fusibles. El bloque de terminales acepta cable de hasta 1,5mm².**
- 2. Se debe incorporar un medio de desconexión en todos los polos en el cableado fijo según las regulaciones de cableado.
- 3. Use un cable adecuado de 3 almas o 4 almas, según la aplicación.
- 4. Quite los tornillos de retención de la cubierta de terminales, si está todavía en su sitio.
- 5. Ponga los cables del ventilador tal y como se indica en la figura **F**, usando la abrazadera del cable que se suministra. Compruebe el modelo del ventilador en el diagrama.
- DX200:** "LH" =Activo (Alta velocidad)/ "LL" = Activo (Baja velocidad)
- 6. Vuelva a poner la cubierta de terminales **9** y apriete los tornillos de retención.
- 7. Vea la sección sobre "Ajustes del usuario" si quiere utilizar ajustes distintos a los que vienen de fábrica.
- 8. Vuelva a poner la cubierta delantera (Fig. **C**).
- 9. Conecte el cable que va del interruptor aislante hasta el cable de alimentación, y vuelva a comprobar la instalación.
- 10. Vuelva a poner los fusibles antes de conectar la alimentación eléctrica.
- 11. Para los circuitos de cableado fijo, el fusible protector del aparato no debe superar los 5A.

Sólo para Australia

CF20 – Conexión a la alimentación eléctrica – cable flexible de 3 almas con clavija de 3 pines para enchufe homologado de pared de 10A y por lo menos 3mm de separación entre los contactos.

OTROS – Conexión permanente a la alimentación eléctrica y funcionamiento con control remoto por conmutador. Conexión directa a la toma de corriente mediante enchufe homologado de pared de 10A y por lo menos 3mm de separación entre los contactos.

Ajustes del usuario

Antes de realizar cualquier ajuste, aíslese totalmente el ventilador de la toma de corriente, comprobando las especificaciones que se indican más abajo para ver las características del ventilador.

- 1. Quite la cubierta delantera y vuélvala a poner después de realizar el ajuste (Fig. **C**).

DX200

Este ventilador no admite ajustes.

DX200T

- 1. El periodo de rebase del temporizador se puede ajustar entre aproximadamente 30 segundos y 20 minutos. Use un destornillador de electricista para girar el tornillo "T" (Fig. **D**) hacia la derecha para aumentar el tiempo, o hacia la izquierda para disminuirlo. (Viene ajustado de fábrica en aproximadamente 10 minutos).

CF20

- 1. El nivel de la humedad es ajustable entre aproximadamente 50% y 90% de humedad relativa. Use un destornillador de electricista para girar el tornillo "RH" (Fig. **D**) hacia la derecha para aumentar la humedad relativa y hacia la izquierda para disminuirla. (Nota: el ventilador es más sensible a 50% HR que a 90%, viniendo de fábrica ajustado a aproximadamente 70%).

CF20T

- 1. El periodo de rebase del temporizador se puede ajustar entre aproximadamente 30 segundos y 20 minutos. Use un destornillador de electricista para girar el tornillo "T" (Fig. **D**) hacia la derecha para aumentar el tiempo, o hacia la izquierda para disminuirlo.
- 2. El nivel de la humedad es ajustable entre aproximadamente 50% y 90% de humedad relativa. Use un destornillador de electricista para girar el tornillo "RH" (Fig. **D**) hacia la derecha para aumentar la humedad relativa y hacia la izquierda para disminuirla. (Nota: el ventilador es más sensible a 50% HR que a 90%).

Uso del ventilador

DX200

El ventilador se apaga y enciende con el interruptor externo. La velocidad del ventilador es preajustada por el instalador en alta o baja. (El usuario puede cambiar la velocidad si se ha instalado un interruptor a tal efecto).

DX200T

El ventilador se apaga y enciende con el interruptor externo. Cuando el interruptor se apaga, el ventilador continúa funcionando durante el periodo de rebase preseleccionado. El testigo superior Luz "I" se ilumina al encender el interruptor externo correspondiente.

La velocidad del ventilador está preajustada por el instalador, bien a velocidad alta, media o lenta.

Activación o desactivación del arrancador diferido
La función de arrancador diferido es ajustada por el instalador y retrasa en 2 minutos el arranque del ventilador cuando se enciende con el interruptor externo.

CF20 / CF20T

Operación mediante conmutador
El ventilador se puede dotar de un interruptor aparte de encendido y apagado. El ventilador funciona a la velocidad de condensación al encenderse. El testigo superior "Luz I" se ilumina cuando se enciende el interruptor aparte. Cuando se apaga, el ventilador continúa funcionando si el nivel de humedad supera el nivel previsto. Sólo para el modelo CF20T: Cuando se apaga, el ventilador continúa funcionando a la velocidad de condensación durante el durante el periodo de rebase preseleccionado.

Funcionamiento por condensación
El ventilador funciona a la velocidad de control de condensación cuando la humedad relativa supera el nivel previsto, apagándose cuando baja el nivel de humedad.

Funcionamiento de sobreempuje
El interruptor con cordón integrado permite el funcionamiento del ventilador a alta velocidad. El testigo inferior "Luz II" se ilumina cuando se el ventilador funciona a alta velocidad.
Nota: Si están encendidos el interruptor aparte de encendido / apagado y el interruptor con cordón integrado, los testigos Luces "I" y "II" se encienden y el ventilador funciona a alta velocidad.

Sólo para el modelo CF20T

Activación o desactivación del arrancador diferido
La función de arrancador diferido es ajustada por el instalador y retrasa en 2 minutos el arranque del ventilador cuando se enciende con el interruptor aparte.

Limpieza

Antes de limpiarlo, es necesario aislar completamente el ventilador de la fuente de alimentación.
Limpíese sólo la superficie exterior del ventilador con un paño húmedo sin pelusa. No utilice detergentes fuertes, disolventes ni productos de limpieza química. Deje que el ventilador se seque completamente antes de utilizarlo.
Aparte de la limpieza, el ventilador no necesita ningún tipo de mantenimiento.

Llave Remítase al Diagrama F

- 1. Placa deflectora
- 2. Cubierta delantera
- 3. Rotor
- 4. Tornillos de sujeción
- 5. Cubierta de terminales
- 6. Caja del ventilador
- 7. Tubo circular
- 8. Tornillos de abrazadera y tacos para la pared - 3 unidades
- 9. Abrazaderas del cuerpo del ventilador – 3 unidades
- 10. Borde
- 11. Tornillos para el techo de 25 mm de longitud - 4 unidades (Diagrama **B**)
- 12. Cinta de espuma

POR FAVOR DEJE ESTE FOLLETO JUNTO AL VENTILADOR PARA INFORMACIÓN DEL USUARIO

IMPORTANT

1. LISEZ ATTENTIVEMENT TOUTES LES INSTRUCTIONS ET AVERTISSEMENTS AVANT DE COMMENCER L'INSTALLATION.
2. L'INSTALLATION ET LE CABLAGE DOIVENT ETRE CONFORMES A LA REGLEMENTATION ACTUELLE IEE (UK), AUX REGLEMENTATIONS REGIONALES OU AUX AUTRES REGLEMENTATIONS APPROPRIEES (AUTRES PAYS). IL APPARTIENT A L'INSTALLATEUR DE RESPECTER LES CODES APPROPRIES DE PRATIQUE DU BATIMENT.
3. UN ELECTRICIEN QUALIFIE DOIT SUPERVISER TOUTE L'INSTALLATION.
4. CES APPAREILS SONT DESTINEES A ETRE RACCORDES A DES CABLES FIXES.
5. VERIFIEZ QUE LES SPECIFICATIONS ELECTRIQUES INDIQUEES SUR LE VENTILATEUR CORRESPONDENT A CELLES DE L'ALIMENTATION SECTEUR.
6. ATTENTION-DANGER : CES APPAREILS DOIVENT ETRE RACCORDES A LA TERRE.
7. PLACEZ LOIN DES SOURCES DIRECTES DE CHALEUR (PAR EXEMPLE, GAZINIERES OU GRILLES AU NIVEAU DE L'OEIL) ET JAMAIS DANS UNE PIECE OU LA TEMPERATURE AMBIANTE RISQUE DE DEPASSER 50°C.
8. LORS DE L'INSTALLATION DU VENTILATEUR DANS UNE PIECE CONTENANT UN APPAREIL A GAZ, L'INSTALLATEUR DOIT S'ASSURER QUE LE TAUX DE RENOUELEMENT DE L'AIR EST SUFFISANT A LA FOIS POUR LE VENTILATEUR ET L'APPAREIL A GAZ.
9. VERIFIEZ QUE TOUTES LES PRECAUTIONS DE SECURITE (PROTECTIONS OCULAIRES CORRECTES ET VETEMENTS DE PROTECTION, ETC) ONT ETE PRISES POUR L'INSTALLATION. LE FONCTIONNEMENT ET L'ENTRETIEN DE CE VENTILATEUR.
10. POUR DES CONSEILS GENERAUX CONCERNANT L'IMPLANTATION DU VENTILATEUR, VOIR LA "FIGURE G.". PLACEZ TOUJOURS LE VENTILATEUR LE PLUS HAUT POSSIBLE.
11. SI UNE PARTIE DE LA GAINE EST PLACEE PLUS HAUT QUE LE VENTILATEUR, ON DOIT INSTALLER UN COLLECTEUR DE CONDENSATION (XCT100) LE PLUS PRES POSSIBLE DU VENTILATEUR
12. CET APPAREIL NE DOIT PAS ETRE UTILISE PAR DES PERSONNES (Y COMPRIS LES ENFANTS ET LES PERSONNES HANDICAPEES) DONT LES CAPACITES PHYSIQUES, SENSORIELLES OU MENTALES SONT REDUITES, OU QUI N'ONT PAS L'EXPERIENCE ET LES COMPETENCES NECESSAIRES, A MOINS D'ETRE SUPERVISEES OU QUE LES INSTRUCTIONS CONCERNANT L'UTILISATION DE L'APPAREIL SOIT DONNEES PAR UNE PERSONNE RESPONSABLE. LES ENFANTS DOIVENT ETRE SURVEILLES POUR LES EMPECHER DE JOUER AVEC L'APPAREIL.

Pour une installation rapide et facile, il est préconisé de se munir des accessoires mentionnés au paragraphe "Accessoires en option".

Pour un montage mural (en surface)

- 1. Marquer sur le mur le milieu de l'orifice **A** du conduit.
- 2. Utiliser ce milieu pour découper un orifice dans le mur de 117 mm de diamètre, avec une légère inclinaison vers l'extérieur.
- 3. Poser le conduit mural (WD100) (non fourni), et le fixer en place au mortier.

Pour un montage mural (encastré)

- 1. Marquer sur le mur le milieu de l'orifice **A** du conduit, et percer un avant-trou dans les deux murs.
- 2. Utiliser le milieu pour marquer un trou rectangulaire dans le mur interne, selon les dimensions **A**.
- 3. Découper le trou rectangulaire dans le mur interne.
- 4. Passer à l'extérieur, et découper un trou de 117 mm de diamètre dans le mur extérieur, en se servant du petit trou comme milieu.
- 5. Mesurer l'épaisseur du mur.
Couper le conduit du mur (WD100) (non fourni) afin qu'il ait une longueur de 64 mm de moins que l'épaisseur du mur.

Pour un montage au plafond (en surface)

Pour cette méthode, il faut disposer d'un espace au-dessus du plafond (ex. combles ou grenier), afin de prévoir l'accès du conduit de 100 mm de diamètre interne.

- 1. Marquer le milieu du trou du conduit **A** dans le plafond, en évitant les solives de plafond et les câbles dissimulés, etc.
- 2. Découper un trou de 117 mm de diamètre autour du milieu marqué.

Pour un montage au plafond (encastré)

Pour un conduit de 100 mm de diamètre :
1. Marquer un trou rectangulaire selon les dimensions **B**.
2. Découper le trou en évitant les solives du plafond et les câbles enterrés, etc.
Pour un conduit plat :
• Ce ventilateur peut être installé dans un vide de 47 mm sans l'ergot circulaire **7** (Fig. **E**). Kit adaptateur pour conduit plat (FDA) disponible.

Préparation du ventilateur pour l'installation

- 1. Retirer le couvercle avant **2** (Fig. **C**).
- 2. Enrouler l'isolant adhésif **8** fournie autour de l'ergot circulaire **7** (Fig. **E**).
- 3. Retirer le couvercle électrique **9** (Fig. **E**). Pour faciliter l'accès (si requis), on peut retirer l'hélice. Cet ensemble se met en place par enfoncement et se retire par traction.

Réglage de la vitesse du ventilateur

- DX200T / CF20 / CF20T** seulement (Fig. **D**)
- 4. Il faut sélectionner la vitesse du régulateur de condensation (CF20/CF20T) ou la vitesse de fonctionnement (DX200T) en tenant compte des dimensions de la pièce où est installé le ventilateur. Glisser le curseur **X** à la position requise. À noter que le ventilateur est réglé en usine sur la "Position 2".
- 5. Position du curseur Dimensions / Volume de la pièce (m³)
 - 1 Grande (34 et plus)
 - 2 Moyenne (28 – 34)
 - 3 Petite (moins de 28)

Réglage de vitesse d'extraction de maintien

- DX200T / CF20 / CF20T** seulement (Fig. **D**)
- 6. On peut régler le ventilateur de manière à ce qu'il assure une extraction de maintien constante. Glisser le curseur **Y** à la position requise. À noter que le ventilateur est réglé en usine sur la "Position 0".
- 7. Position du curseur Réglage
 - 0 Extraction de maintien Arrêt
 - I Extraction de maintien Marche

Réglage du début du temporisateur

- DX200T / CF20T** seulement (Fig. **D**)
- 8. On peut régler le ventilateur de manière à obtenir un délai de 2 minutes avant sa mise en route lorsqu'il est utilisé avec un commutateur Marche/Arrêt externe. Glisser le curseur **Z** à la position requise. À noter que le ventilateur est réglé en usine sur la "Position 0".
- Position du curseur Réglage
 - 0 Début du temporisateur Arrêt
 - I Début du temporisateur Marche

Pour un montage du ventilateur sur un mur ou un plafond (en surface)

- 1. Placer le conduit dans le trou et l'aligner à la position requise. Pour un montage sur un mur, vérifier que le conduit est incliné vers le bas et à l'écart du ventilateur.
- 2. Marquer les positions des trois trous de fixation **A** dans le boîtier **6** du ventilateur (Fig. **E**).
- 3. Pour un montage sur un mur, percer trois trous de 5,5 mm de diamètre pour les chevilles (fournies). Pour un montage au plafond **B**, utiliser des fixations appropriées (non fournies).
- 4. Découper le trou d'admission du câble, si requis, dans l'encadrement **10** et fendre le passe-fils. Glisser l'encadrement **10** sur le boîtier **6** du ventilateur.
- 5. Faire passer le câble électrique dans le boîtier **6** du ventilateur, à travers le trou d'admission arrière pour câble et à travers l'encadrement, puis remettre le passe-fils en place.
Vérifier que le passe-fils est en place et bien ajusté serré.
- 6. Présenter le boîtier **6** du ventilateur dans le mur ou le plafond. Vérifier que l'ergot circulaire **7** pénètre dans le conduit.
- 7. Fixer le boîtier **6** du ventilateur dans le mur à l'aide des vis **9** ou dans le plafond à l'aide de fixations appropriées (non fournies).

Pour un montage dans un mur (encastré)

L'encadrement **10** n'est pas requis. Monter le conduit jusqu'à l'ergot circulaire **7**.

Si les dimensions du trou sont celles recommandées :

- 1. À l'aide des vis **8**, assembler les trois brides **9** de la carène dans le boîtier **6** du ventilateur.
- 2. Fendre le passe-fils. Faire passer le câble électrique dans le boîtier **6** du ventilateur à travers le trou d'admission de câble par le passe-fils.
Vérifier que le passe-fils est en place et bien ajusté serré.
- 3. Présenter le boîtier **6** du ventilateur dans le mur.
- 4. Serrer les trois vis **8** jusqu'à ce que le ventilateur soit plaqué sur le mur interne. Les brides **9** de la carène du ventilateur pivoteront jusqu'à une position de butée automatique. **NE PAS TROP SERRER.**

Si les dimensions du trou sont supérieures à celles recommandées, ex. : supérieures à la bride sur le boîtier **6 du ventilateur (ceci se rapporte généralement aux installations "de rattrapage") :**

- 1. Les brides de la carène du ventilateur NE conviennent PAS. Fabriquer un cadre en bois de dimensions INTERNES de 203 mm x 233 mm.

- Il doit avoir une profondeur d'au moins 50 mm. Poser le cadre en bois dans le mur interne, et reboucher la partie autour du trou.
- Présenter le boîtier **6** du ventilateur dans le mur.
 - En utilisant les fentes prévues dans la bride, visser (vis non fournies) le boîtier **6** du ventilateur dans le cadre en bois.

Pour un montage dans un plafond (encastré)

- L'encadrement **10** n'est pas requis.
- Introduire le boîtier **6** du ventilateur dans le trou et marquer les quatre positions en utilisant les fentes de la bride **B**.
- Retirer le boîtier **6** du plafond, et poser les quatre colliers de plafond (fournis) par-dessus le bord du trou de manière à aligner les colliers avec les repères marqués dans le plafond **B**.
- Percer 4 avant-trous dans le plafond à travers le trou de chaque collier, en veillant à ne pas endommager le collier.
- Monter le conduit jusqu'à l'ergot circulaire **7**.
- Présenter le boîtier **6** du ventilateur dans le plafond.
- Fendre le passe-fils. Faire passer le câble électrique dans le boîtier **6** du ventilateur à travers le trou d'admission de câble par le passe-fils.
Vérifier que le passe-fils est en place et bien ajusté serré.
- À l'aide des vis **10** (Fig. **B**), fixer la bride du boîtier de ventilateur dans les colliers de plafond.

Terminaison du conduit

Monter une grille extérieure (de type CFWG100, par exemple, non fournie dans le DX200/DX200T) sur le mur extérieur. Pour un montage au plafond, utiliser les accessoires appropriés (non fournis).

Raccorder les câbles électriques

AVERTISSEMENT : CET APPAREIL DOIT ÊTRE RACCORDÉ À LA TERRE

- Isoler l'alimentation électrique et retirer tous les fusibles.**

La plaque à bornes peut recevoir un câble ayant un diamètre maximum de 1,5 mm²
- Un moyen de déconnexion de tous les pôles doit être incorporé dans le câblage fixe conformément à la réglementation concernant le câblage.
- Utiliser un câble de tension nominale appropriée à 3 ou à 4 conducteurs selon l'utilisation.
- Si elles sont toujours en place, retirer les vis de retenue du couvercle du cache-bornes.
- Faire le raccordement du câble du ventilateur comme indiqué à la Fig. **F** et utiliser le pince-câble fourni. Vérifier le modèle du ventilateur sur le schéma.
DX200: "LH" = Sous tension (Grande vitesse)/ "LL" = Sous tension (Petite vitesse)
- Remettre en place le cache-bornes **9** et fixer les vis de retenue.
- Pour utiliser des réglages autres que ceux fixés en usine, se reporter au paragraphe "Réglages effectués par l'utilisateur".
- Remettre le couvercle avant (Fig. **C**).

Raccorder le câble entre le sectionneur et le câble d'alimentation électrique, puis vérifier à nouveau l'installation.
- Avant de mettre l'ensemble sous tension, remettre les fusibles.
- En ce qui concerne les circuits de câblage fixe, le pouvoir de coupure du fusible de protection de l'appareil ne doit pas être supérieur à 5 A.

Pour l'Australie seulement

CF20 : Raccordement à l'alimentation électrique : utiliser un câble souple à 3 conducteurs avec une prise à 3 broches pour la brancher dans une douille murale homologuée de 10 A présentant un entrefer d'au moins 3 mm entre les contacts.

TOUS LES AUTRES VENTILATEURS : un câble relié en permanence à l'alimentation électrique et un commutateur à distance contrôlent le fonctionnement. Ils doivent être raccordés directement par un commutateur homologué 10 A monté en surface sur le mur et présentant un entrefer d'au moins 3 mm entre les contacts.

Réglages effectués par l'utilisateur

Avant d'effectuer tout réglage, isoler complètement le ventilateur de l'alimentation électrique. Vérifier les caractéristiques techniques indiquées ci-dessous pour savoir quelles fonctions s'appliquent à ce ventilateur.

- Retirer le couvercle avant, puis le remettre en place après le réglage (Fig. **C**).

DX200

Il n'y a pas de réglages utilisateur correspondant à ce ventilateur.

DX200T

- L'utilisateur peut régler le délai de dépassement de fonctionnement du temporisateur entre 30 secondes et 20 minutes environ. Utiliser un tournevis d'électricien et tourner la vis "T" (Fig. **D**) en sens horaire pour augmenter la durée, et en sens antihoraire pour la diminuer. (Prérégulé en usine à 10 minutes environ)

CF20

- Le réglage de l'humidité varie d'environ 50 à 90% d'humidité relative. Utiliser un tournevis d'électricien et tourner la vis "RH" (Fig. **D**) en sens horaire pour augmenter le réglage de l'humidité relative, et en sens antihoraire pour le diminuer. (Nota : le ventilateur est plus sensible à 50% HR qu'à 90%. Il est prérégulé en usine sur une HR d'environ 70%).

CF20T

- L'utilisateur peut régler le délai de dépassement de fonctionnement du temporisateur entre 30 secondes et 20 minutes environ. Utiliser un tournevis d'électricien et tourner la vis "T" (Fig. **D**) en sens horaire pour augmenter la durée, et en sens antihoraire pour la diminuer.
- Le réglage de l'humidité varie d'environ 50 à 90% d'humidité relative. Utiliser un tournevis d'électricien et tourner la vis "RH" (Fig. **D**) en sens horaire pour augmenter le réglage de l'humidité relative, et en sens antihoraire pour le diminuer. (Nota : le ventilateur est plus sensible à une HR de 50% qu'à 90%).

Utilisation du ventilateur

DX200

Pour faire fonctionner le ventilateur, utiliser le commutateur Marche/Arrêt externe. L'utiliser à nouveau pour couper le ventilateur. La vitesse du ventilateur est prérégulée par l'installateur, soit sur grande vitesse, soit sur petite vitesse. (Si un commutateur est installé, l'utilisateur peut basculer entre grande et petite vitesse.)

DX200T

Pour faire fonctionner le ventilateur, utiliser le commutateur Marche/Arrêt externe. L'utiliser à nouveau pour couper le ventilateur.

Lorsque le commutateur est sur arrêt, le ventilateur continue de fonctionner pendant le délai de dépassement de fonctionnement prérégulé. Le témoin supérieur "II" s'allume lorsque le commutateur Marche/Arrêt externe est mis sur Marche. La vitesse du ventilateur est prérégulée par l'installateur, soit sur grande vitesse, soit sur vitesses moyenne, soit sur petite vitesse.

Marche/Arrêt du temporisateur

Ce dispositif est réglé par l'installateur afin d'assurer un délai de 2 minutes avant le fonctionnement du ventilateur lorsque celui-ci est mis en marche à l'aide du commutateur Marche/Arrêt externe.

CF20 / CF20T

Fonctionnement commuté

On peut raccorder le ventilateur à un commutateur Marche/Arrêt séparé. Lorsque le commutateur est mis sur Marche, le ventilateur fonctionne à la vitesse de condensation. Le témoin supérieur "I" s'allume lorsque le commutateur Marche/Arrêt séparé est mis sur Marche. Lorsque le commutateur est mis sur Arrêt, le ventilateur continue de fonctionner si le niveau d'humidité dépasse le niveau prérégulé. CF20T seulement : Lorsque le commutateur est mis sur Arrêt, le ventilateur continue de fonctionner à la vitesse de condensation pendant la durée réglable du temporisateur.

Fonctionnement du régulateur de condensation

Le ventilateur fonctionne à la vitesse du régulateur de condensation lorsque l'humidité relative dépasse le niveau prérégulé. Il s'arrête lorsque le niveau d'humidité diminue.

Fonctionnement à grande vitesse

L'interrupteur à cordon incorporé met le ventilateur en marche à grande vitesse. Le témoin inférieur "II" s'allume lorsque le ventilateur fonctionne à grande vitesse. (Nota : Si le commutateur Marche/Arrêt séparé et l'interrupteur à cordon sont tous les deux sur Marche, les deux témoins "I" et "II" sont tous deux allumés, et le ventilateur fonctionne à grande vitesse.

CF20T seulement :

Marche ou Arrêt du temporisateur

Ce dispositif est réglé par l'installateur afin d'assurer un délai de 2 minutes avant le fonctionnement du ventilateur lorsque celui-ci est mis en marche à l'aide du commutateur Marche/Arrêt séparé.

Nettoyage

Avant de nettoyer le ventilateur, il faut l'isoler complètement de l'alimentation secteur Ne nettoyer que la surface externe du ventilateur à l'aide d'un chiffon non pelucheux humide.

Ne pas utiliser de détergents, solvants forts ou produits de nettoyage chimiques. Attendez que le ventilateur soit complètement sec avant de l'utiliser. À part le nettoyage, le ventilateur n'exige aucun autre entretien.

Légende Voir schéma E

- | | |
|---------------------------|---|
| 1. Séparateur à chicane | 7. Ergot circulaire |
| 2. Couvercle avant | 8. 3 Vis de serrage et chevilles murales |
| 3. Hélice | 9. 3 Brides de carène de ventilateur |
| 4. Vis de fixation | 10. Cadre |
| 5. Cache-bornes | 11. 4 Vis de plafond 25 mm de long (Schéma B) |
| 6. Boîtier du ventilateur | 12. Isolant adhésif |

PRIÈRE DE LAISSER CET IMPRIMÉ AVEC LE VENTILATEUR, À PORTÉE DE L'UTILISATEUR

ES

IMPORTANTE

- LEA TODAS LAS INSTRUCCIONES Y ADVERTENCIAS COMPLETAMENTE ANTES DE INICIAR LA INSTALACIÓN.
- LA INSTALACIÓN Y CABLEADO DEBERÁ REALIZARSE SEGÚN LAS REGULACIONES DE CORRIENTE DE LA IEE (RU), LOCAL O LAS REGULACIONES PERTINENTES (OTROS PAÍSES). SERÁ RESPONSABILIDAD DEL INSTALADOR GARANTIZAR QUE SE SIGUEN LOS CÓDIGOS DE PRÁCTICA APROPIADOS PARA EL EDIFICIO.
- TODAS LAS INSTALACIONES DEBERÁN SER SUPERVISADAS POR UN ELECTRICISTA CALIFICADO.
- ESTE DISPOSITIVO HA SIDO PREVISTO PARA UNA CONEXIÓN EN CABLEADO FIJO.
- COMPRUEBE QUE LA TASA ELÉCTRICA MOSTRADA EN EL VENTILADOR CONCUERDA CON EL SUMINISTRO.
- ADVERTENCIA: ESTE DISPOSITIVO DEBE SER PUESTO A TIERRA.**
- SITUAR LEJOS DE FUENTES DE CALOR DIRECTAS (P.EJ. COCINAS DE GAS O GRILLS A NIVEL DE LA VISTA) NI DONDE LA TEMPERATURA AMBIENTAL SUPERE LOS 50° C.
- CUANDO EL VENTILADOR SEA INSTALADO EN UNA HABITACIÓN QUE CONTENGA UN DISPOSITIVO QUE QUEME COMBUSTIBLE, DEBERÁN TOMARSE LAS PRECAUCIONES ADECUADAS PARA EVITAR FLUJOS DE RETORNO DE GASES EN LA HABITACIÓN DESDE LA SALIDA DEL DISPOSITIVO QUE QUEMA COMUSTIBLE.
- ASEGÚRESE QUE SE TOMAN TODAS LAS PRECAUCIONES DE SEGURIDAD RELEVANTES (PROTECCIÓN ADECUADA DE LOS OJOS Y ROPA PROTECTORA ETC) CUANDO SE REALICE LA INSTALACIÓN, EL MANEJO Y EL MANTENIMIENTO DEL VENTILADOR.
- PARA OBTENER UNA GUÍA GENERAL SOBRE LA INSTALACIÓN DEL VENTILADOR CONSULTE LA "FIG G". SIEMPRE SITUE EL VENTILADOR TAN ALTO COMO SEA POSIBLE.
- SI SE SITUA CUALQUIER SECCIÓN DE TUBERÍA MÁS ALTA QUE EL VENTILADOR, SE DEBERÁ INSTALAR UNA VÁLVULA DE CONDENSACIÓN (XCT100) TAN CERCA COMO SEA POSIBLE DEL VENTILADOR.
- NO SE HA PREVISTO EL USO DE ESTE DISPOSITIVO POR PERSONAS (INCLUIDOS NIÑOS Y ENFERMOS) CON CAPACIDADES FÍSICAS, SENSORIALES O MENTALES REDUCIDAS, O FALTA DE EXPERIENCIA O CONOCIMIENTO, A MENOS QUE ESTÉN SUPERVISADOS O BAJO LA DIRECCIÓN SOBRE EL USO DEL DISPOSITIVO POR UNA PERSONA RESPONSABLE DE SU SEGURIDAD. LOS NIÑOS DEBERÁN SER SUPERVISADOS PARA GARANTIZAR QUE NO JUEGAN CON EL DISPOSITIVO.

Para rapidez y facilidad de instalación, puede necesitar algunos de los accesorios auxiliares que se listan en "Opciones Auxiliares".

Si se instala en una pared (montaje de superficie)

- Marque en la pared el centro del agujero del conducto **A**.
- Use este centro para cortar una apertura en la pared de 117mm de diámetro, con una ligera pendiente hacia el exterior.
- Monte el conducto para la pared (WD100), que no se suministra, y la argamasa.

Si se instala en una pared (montaje embutido)

- Marque en la pared el centro del agujero del conducto **A**, y taladre un agujero guía que atraviese las dos paredes.
- Use el centro para marcar un agujero rectangular para la pared interior usando las dimensiones **A**.
- Corte el agujero rectangular en la pared interior.
- Salga al exterior y corte un agujero de 117mm de diámetro en la pared exterior usando el agujero pequeño como centro.
- Mida el grosor de la pared.

Corte el conducto de la pared (WD100), que no se suministra, de forma que tenga una longitud 64mm inferior al grosor de la pared.

Si se monta en el techo (montaje de superficie)

Este método requiere un espacio por encima del techo, como por ejemplo un ático o un alero, con el fin de permitir el acceso al conducto interior de 100mm de diámetro.

- Marque en el techo el centro del agujero del conducto **A**, evitando las vigas y cables, etc.
- Corte un agujero de 117mm de diámetro usando el centro marcado.

Si se monta en el techo (montaje embudido)

Para el conducto de 100mm de diámetro:

- Marque un agujero rectangular usando las dimensiones **B**.
- Corte el agujero, evitando las vigas y los cables, etc.

Para el conducto plano:

- Este ventilador se puede instalar dentro de un espacio de 47mm sin el tubo circular **7** (Fig. **E**). Juego de adaptador del conducto plano (FDA) disponible..

Preparación del ventilador para la instalación

- Quite la cubierta delantera **2** (Fig. **C**)
- Ponga la cinta de espuma **4** que se suministra alrededor del tubo circular **7** (Fig. **E**).
- Quite la cubierta eléctrica **6** (Fig. **E**). Se puede quitar el rotor facilitar el acceso (si hace falta). Este es un conjunto de presión/estirar.

Ajuste de la velocidad del ventilador.

DX200T / CF20 / CF20T sólo (Fig. D)

- La velocidad correcta de control de la condensación (CF20/CF20T) o la velocidad de funcionamiento (DX200T) se debe seleccionar según el tamaño de la habitación en la que se vaya a instalar el ventilador. Deslice el interruptor **X** hasta la posición requerida. Por favor observe que el ventilador viene de fábrica ajustado en la "Posición 2".
- Tamaño del interruptor – Posición / Volumen de la habitación (m³)

1	Grande (34 y superior)
2	Media (28 – 34)
3	Pequeño (menos de 28)

Ajuste de la velocidad lenta

DX200T / CF20 / CF20T Sólo (Fig. D)

- El ventilador se puede ajustar para que realice una extracción lenta y constante. Deslice el interruptor **Y** hasta la posición requerida. Por favor observe que el ventilador viene de fábrica ajustado a la "Posición 0".
- Ajuste de la posición del interruptor

0	Extracción lenta desactivada
1	Extracción lenta activada

Ajuste del arrancador diferido

DX200T / CF20T Sólo (Fig. D)

- El ventilador se puede ajustar de forma que arranque con un retraso de 2 minutos cuando se utilice con un interruptor externo. Deslice el interruptor **Z** hasta la posición requerida. Por favor observe que el ventilador viene de fábrica ajustado a la "Posición 0".

Ajuste de la posición del interruptor

0	Arrancador diferido desactivado
1	Arrancador diferido activado

Montaje del ventilador en pared o techo (montaje de superficie)

- Ponga el conducto en el agujero y alinéelo hasta la posición requerida. Si lo va a montar en la pared, asegúrese de que el conducto se incline hacia abajo alejándose del ventilador.
- Marque las posiciones de los tres agujeros de sujeción **A** en la caja del ventilador **6** (Fig. **E**).
- Si lo va a montar en la pared, taladre tres agujeros de 5,5mm de diámetro para los tacos de la pared (suministrados). Si lo va a montar en el techo **B**, use los sujetadores apropiados (no suministrados).
- Corte el agujero de entrada del cable, si hace falta, en el **10** borde y corte el ojal del cable. Deslice el **10** borde por la caja del ventilador **6**.
- Pase los cables eléctricos hasta el interior de la caja del ventilador **6** por la entrada posterior de cables y borde, y vuelva a poner el ojal de los cables.
Asegúrese de que el ojal del cable esté en su sitio y que quede ajustado.
- Suba la caja del ventilador **6** hasta la pared o techo. Asegúrese de que el tubo circular **7** entre en el conducto.
- Sujete la caja del ventilador **6** en la pared con los tornillos **8** o en el techo con los sujetadores correspondientes (no suministrados).

Si se monta en pared (montaje embudido)

El borde **10** no hace falta. Ponga el conducto en el tubo circular **7**.

Si el tamaño del agujero es como se recomienda:

- Monte las tres abrazaderas del cuerpo del ventilador **9** en la caja del ventilador **6** con los tornillos **8**
 - Corte el ojal del cable. Pase los cables eléctricos a la caja del ventilador **6** por el agujero de entrada de cables y el ojal del cable.
Asegúrese de que el ojal del cable esté en su sitio y bien ajustado.
 - Sitúe la caja del ventilador **6** contra la pared.
 - Apriete los tres tornillos **8** hasta que el ventilador quede sujeto a la pared interior.

Las abrazaderas del cuerpo del ventilador **9** giran hasta la posición de parada automática. **NO LAS APRIETE DEMASIADO.**
- Si el tamaño del agujero es mayor de lo recomendado, por ejemplo mayor que el saliente de la caja del ventilador **6** (sobre todo para los montajes que no necesitan instalación especial):**
- Las abrazaderas del cuerpo del ventilador NO SON adecuadas. Construya un marco de madera de dimensiones INTERNAS 203 x 233 mm.

WICHTIG

1. BITTE LESEN SIE DIESE GESAMTE GEBRAUCHSANWEISUNG UND ALLE WARNHINWEISE VOR BEGINN DER INSTALLATION DURCH.
2. DIE INSTALLATION UND VERKABELUNG MUSS DEN AKTUELLEN IEE-VORSCHRIFTEN (GB), ÖRTLICHEN ODER SONSTIGEN ZUTREFFENDEN VORSCHRIFTEN (ANDERER LÄNDER) ENTSPRECHEN. DER INSTALLATEUR TRÄGT DIE VERANTWORTUNG FÜR DIE EINHALTUNG ALLER GELTENDEN BAUVORSCHRIFTEN.
3. SÄMTLICHE INSTALLATIONSARBEITEN MÜSSEN VON EINEM QUALIFIZIERTEN ELEKTRIKER ÜBERWACHT WERDEN.
4. DIESE GERÄTE SIND FÜR DIE FESTVERDRÄHTUNG AUSGELEGT.
5. ÜBERPRÜFEN SIE, DASS DIE AUF DEM VENTILATOR ANGELEGEBEN ELEKTRISCHEN BETRIEBSWERTE MIT DER NETZVERSORGUNG ÜBEREINSTIMMEN.
6. **WARNUNG: DIESE GERÄTE MÜSSEN GEERDET WERDEN.**
7. NICHT IN DER NÄHE VON DIREKTEN WÄRMEQUELLEN AUFSTELLEN (Z. B. GASHERD ODER EINEM AUF AUGENHÖHE INSTALLIERTEN GRILL) UND NICHT AN ORTEN, AN DENEN DIE UMGEBUNGSTEMPERATUR 50°C ÜBERSCHREITEN KANN.
8. WIRD DER VENTILATOR IN EINEM RAUM INSTALLIERT, IN DEM SICH EIN BRENNSTOFFBRENNER BEFINDET, MÜSSEN VORSICHTSMASSNAHMEN GETROFFEN WERDEN UM ZU VERHINDERN, DASS GASE AUS DEM OFFENEN ABZUG DES BRENNERS IN DEN RAUM ZURÜCKSTRÖMEN.
9. BEI INSTALLATION, BETRIEB UND WARTUNG DIESES VENTILATORS MÜSSEN ALLE ENTSPRECHENDEN SICHERHEITSVORKEHRUNGEN (KORREKTER AUGENSCHUTZ UND SCHUTZKLEIDUNG USW.) GETROFFEN WERDEN.
10. ALLGEMEINE RICHTLINIEN FÜR DIE MONTAGEPOSITION DES VENTILATORS SIND ABB. G ZU ENTNEHMEN. DEN VENTILATOR GRUNDSÄTZLICH SO HOCH WIE MÖGLICH MONTIEREN.
11. WENN EIN TEIL DER LÜFTUNGSROHRLÄHRUNG HÖHER ALS DER VENTILATOR GEFÜHRT WIRD, MUSS EIN KONDENSATABLAUF (XCT100) MÖGLICHT NAHE AM VENTILATOR BEFESTIGT WERDEN.
12. DIESES GERÄT IST NICHT ZUR BENUTZUNG DURCH PERSONEN (EINSCHLIESSLICH KINDER, ALTER UND SCHWACHER MENSCHEN) MIT EINGESCHRÄNKTE KÖRPERLICHEN, SENSORISCHEN ODER GEISTIGEN FÄHIGKEITEN ODER MIT MANGELNDER ERFAHRUNG UND KENNNTNIS VORGESEHEN, ES SEI DENN, DIESE PERSONEN STEHEN UNTER AUFSICHT ODER HABEN VON EINER FÜR IHRE SICHERHEIT VERANTWÖRTLICHE PERSON EINE ANLEITUNG ZUR BENUTZUNG DES GERÄTS ERHALTEN. KINDER MÜSSEN BEAUFICHTIGT WERDEN, DAMIT SICHERGESTELLT IST, DASS SIE NICHT MIT DEM GERÄT SPIELEN.

Die unter „Zubehör“ aufgeführten Produkte unterstützen eine schnelle und problemlose Installation.

Wandmontage (Aufsatz)

1. Markieren Sie die Mitte des Rohrloches **A** an der Wand.
2. Schneiden Sie um diese Mitte ein Loch mit einem Durchmesser von 117 cm, dass sich nach außen leicht neigt.
3. Setzen Sie das nicht mitgelieferte Wandrohr (WD100) ein und befestigen Sie es mit Mörtel.

Wandmontage (Einsatz)

1. Markieren Sie die Mitte des Rohrloches **A** an der Wand und bohren Sie ein Führungsloch durch beide Wände.
2. Markieren Sie mit Hilfe der markierten Mitte ein rechteckiges Loch mit den Abmessungen **A** für die Innenwand.
3. Schneiden Sie das rechteckige Loch durch die Innenwand.
4. Schneiden Sie von außen ein Loch mit einem Durchmesser von 117 cm in die Außenwand; das kleine Loch dient als Mitte.
5. Messen Sie die Wandstärke. Schneiden Sie das nicht mitgelieferte Wandrohr so zurecht, dass es 64 mm kürzer ist als die Wandstärke.

Deckenmontage (Aufsatz)

Für diese Methode braucht man einen Raum oberhalb der Decke, wie zum Beispiel einen Dachboden, um das Rohr mit 100 mm Innendurchmesser montieren zu können.

1. Markieren Sie die Mitte des Rohrloches **A** an der Decke, achten Sie darauf, dass Sie keine Deckenbalken oder verlegte Leitungen beschädigen.
2. Schneiden Sie um diese Mitte ein Loch mit einem Durchmesser von 117 cm.

Deckenmontage (Einsatz)

Für das Rohr mit 100 mm Durchmesser:

1. Markieren Sie ein rechteckiges Loch mit den Abmessungen **B**.
2. Schneiden Sie das Loch; achten Sie darauf, dass Sie keine Deckenbalken oder verlegte Leitungen beschädigen.

Für das Flachrohr:

- Dieser Abzug kann in einer Öffnung mit 47 mm Durchmesser ohne Rundzapfen **7** installiert werden (Abb. **E**). Ein Flachrohr-Adapter (FDA) ist erhältlich.

Vorbereitung der Abzugsinstallation

1. Nehmen Sie die Frontabdeckung **6** ab (Abb. **C**).
2. Montieren Sie das mitgelieferte Schaumband **8** um den Rundzapfen **7**. (Abb. **E**).
3. Nehmen Sie die Elektroabdeckung **6** ab. (Abb. **E**). Das Gebläseadler lässt sich (falls nötig) entfernen, um den Zugang zu erleichtern. Dies ist eine Druck-Ein/Zug-Aus-Montage.

Einstellung der Abzugsgeschwindigkeit

Nur für DX200T/CF20/CF20T (Abb. **D**)

1. Wählen Sie anhand der Zimmergröße die korrekte Geschwindigkeit zur Regelung der Kondensation (CF20/CF20T) oder der Betriebsgeschwindigkeit (DX200T). Schieben Sie den Schalter **X** in die gewünschte Stellung. Bitte beachten Sie, dass der Abzug im Werk auf „Stellung 2“ eingestellt wird.

- | Schalterstellung | Größe / Zimmervolumen (m³) |
|------------------|----------------------------|
| 1 | groß (34 und mehr) |
| 2 | mittelgroß (28-34) |
| 3 | klein (weniger als 28) |

HINWEISE

1. Lesen Sie diese Anweisungen und Warnhinweise vor Beginn der Installation durch.
2. Die Installation und Verkabelung muss den aktuellen IEE-Vorschriften (GB), örtlichen oder sonstigen zutreffenden Vorschriften (anderer Länder) entsprechen. Der Installateur trägt die Verantwortung für die Einhaltung aller geltenden Bauvorschriften.
3. Alle Installationsarbeiten müssen von einem qualifizierten Elektriker überwacht werden.
4. Diese Geräte sind für die Festverdrahtung ausgelegt.
5. Überprüfen Sie, dass die auf dem Ventilator angegebenen elektrischen Betriebswerte mit der Netzversorgung übereinstimmen.
6. **Warnung: Diese Geräte müssen geerdet werden.**
7. Nicht in der Nähe von direkten Wärmequellen aufstellen (z. B. Gasherd oder einem auf Augenhöhe installierten Grill) und nicht an Orten, an denen die Umgebungstemperatur 50°C überschreiten kann.
8. Wird der Ventilator in einem Raum installiert, in dem sich ein Brennstoffbrenner befindet, müssen Vorsichtsmaßnahmen getroffen werden, um zu verhindern, dass Gase aus dem offenen Abzug des Brenners in den Raum zurückströmen.
9. Bei Installation, Betrieb und Wartung dieses Ventilators müssen alle entsprechenden Sicherheitsvorkehrungen (korrekter Augenschutz und Schutzkleidung usw.) getroffen werden.
10. Allgemeine Richtlinien für die Montageposition des Ventilators sind Abb. G zu entnehmen. Den Ventilator grundsätzlich so hoch wie möglich montieren.
11. Wenn ein Teil der Lüftungsrohrleitung höher als der Ventilator geführt wird, muss ein Kondensatablauf (XCT100) möglichst nahe am Ventilator befestigt werden.
12. Dieses Gerät ist nicht zur Benutzung durch Personen (einschließlich Kinder, Alter und schwacher Menschen) mit eingeschränkter körperlicher, sensorischer oder geistiger Fähigkeiten oder mit mangelnder Erfahrung und Kenntnis vorgesehen, es sei denn, diese Personen stehen unter Aufsicht oder haben von einer für ihre Sicherheit verantwortlichen Person eine Anleitung zur Benutzung des Geräts erhalten. Kinder müssen beaufsichtigt werden, damit sichergestellt ist, dass sie nicht mit dem Gerät spielen.

HINWEISE

Die unter „Zubehör“ aufgeführten Produkte unterstützen eine schnelle und problemlose Installation.

Wandmontage (Aufsatz)

1. Markieren Sie die Mitte des Rohrloches **A** an der Wand.
2. Schneiden Sie um diese Mitte ein Loch mit einem Durchmesser von 117 cm, dass sich nach außen leicht neigt.
3. Setzen Sie das nicht mitgelieferte Wandrohr (WD100) ein und befestigen Sie es mit Mörtel.

Wandmontage (Einsatz)

1. Markieren Sie die Mitte des Rohrloches **A** an der Wand und bohren Sie ein Führungsloch durch beide Wände.
2. Markieren Sie mit Hilfe der markierten Mitte ein rechteckiges Loch mit den Abmessungen **A** für die Innenwand.
3. Schneiden Sie das rechteckige Loch durch die Innenwand.
4. Schneiden Sie von außen ein Loch mit einem Durchmesser von 117 cm in die Außenwand; das kleine Loch dient als Mitte.
5. Messen Sie die Wandstärke. Schneiden Sie das nicht mitgelieferte Wandrohr so zurecht, dass es 64 mm kürzer ist als die Wandstärke.

Deckenmontage (Aufsatz)

Für diese Methode braucht man einen Raum oberhalb der Decke, wie zum Beispiel einen Dachboden, um das Rohr mit 100 mm Innendurchmesser montieren zu können.

1. Markieren Sie die Mitte des Rohrloches **A** an der Decke, achten Sie darauf, dass Sie keine Deckenbalken oder verlegte Leitungen beschädigen.
2. Schneiden Sie um diese Mitte ein Loch mit einem Durchmesser von 117 cm.

Deckenmontage (Einsatz)

Für das Rohr mit 100 mm Durchmesser:

1. Markieren Sie ein rechteckiges Loch mit den Abmessungen **B**.
2. Schneiden Sie das Loch; achten Sie darauf, dass Sie keine Deckenbalken oder verlegte Leitungen beschädigen.

Für das Flachrohr:

- Dieser Abzug kann in einer Öffnung mit 47 mm Durchmesser ohne Rundzapfen **7** installiert werden (Abb. **E**). Ein Flachrohr-Adapter (FDA) ist erhältlich.

Vorbereitung der Abzugsinstallation

1. Nehmen Sie die Frontabdeckung **6** ab (Abb. **C**).
2. Montieren Sie das mitgelieferte Schaumband **8** um den Rundzapfen **7**. (Abb. **E**).
3. Nehmen Sie die Elektroabdeckung **6** ab. (Abb. **E**). Das Gebläseadler lässt sich (falls nötig) entfernen, um den Zugang zu erleichtern. Dies ist eine Druck-Ein/Zug-Aus-Montage.

Einstellung der Abzugsgeschwindigkeit

Nur für DX200T/CF20/CF20T (Abb. **D**)

1. Wählen Sie anhand der Zimmergröße die korrekte Geschwindigkeit zur Regelung der Kondensation (CF20/CF20T) oder der Betriebsgeschwindigkeit (DX200T). Schieben Sie den Schalter **X** in die gewünschte Stellung. Bitte beachten Sie, dass der Abzug im Werk auf „Stellung 2“ eingestellt wird.

- | Schalterstellung | Größe / Zimmervolumen (m³) |
|------------------|----------------------------|
| 1 | groß (34 und mehr) |
| 2 | mittelgroß (28-34) |
| 3 | klein (weniger als 28) |

HINWEISE

Die unter „Zubehör“ aufgeführten Produkte unterstützen eine schnelle und problemlose Installation.

Wandmontage (Aufsatz)

1. Markieren Sie die Mitte des Rohrloches **A** an der Wand.
2. Schneiden Sie um diese Mitte ein Loch mit einem Durchmesser von 117 cm, dass sich nach außen leicht neigt.
3. Setzen Sie das nicht mitgelieferte Wandrohr (WD100) ein und befestigen Sie es mit Mörtel.

Wandmontage (Einsatz)

1. Markieren Sie die Mitte des Rohrloches **A** an der Wand und bohren Sie ein Führungsloch durch beide Wände.
2. Markieren Sie mit Hilfe der markierten Mitte ein rechteckiges Loch mit den Abmessungen **A** für die Innenwand.
3. Schneiden Sie das rechteckige Loch durch die Innenwand.
4. Schneiden Sie von außen ein Loch mit einem Durchmesser von 117 cm in die Außenwand; das kleine Loch dient als Mitte.
5. Messen Sie die Wandstärke. Schneiden Sie das nicht mitgelieferte Wandrohr so zurecht, dass es 64 mm kürzer ist als die Wandstärke.

Deckenmontage (Aufsatz)

Für diese Methode braucht man einen Raum oberhalb der Decke, wie zum Beispiel einen Dachboden, um das Rohr mit 100 mm Innendurchmesser montieren zu können.

1. Markieren Sie die Mitte des Rohrloches **A** an der Decke, achten Sie darauf, dass Sie keine Deckenbalken oder verlegte Leitungen beschädigen.
2. Schneiden Sie um diese Mitte ein Loch mit einem Durchmesser von 117 cm.

Deckenmontage (Einsatz)

Für das Rohr mit 100 mm Durchmesser:

1. Markieren Sie ein rechteckiges Loch mit den Abmessungen **B**.
2. Schneiden Sie das Loch; achten Sie darauf, dass Sie keine Deckenbalken oder verlegte Leitungen beschädigen.

Für das Flachrohr:

- Dieser Abzug kann in einer Öffnung mit 47 mm Durchmesser ohne Rundzapfen **7** installiert werden (Abb. **E**). Ein Flachrohr-Adapter (FDA) ist erhältlich.

Vorbereitung der Abzugsinstallation

1. Nehmen Sie die Frontabdeckung **6** ab (Abb. **C**).
2. Montieren Sie das mitgelieferte Schaumband **8** um den Rundzapfen **7**. (Abb. **E**).
3. Nehmen Sie die Elektroabdeckung **6** ab. (Abb. **E**). Das Gebläseadler lässt sich (falls nötig) entfernen, um den Zugang zu erleichtern. Dies ist eine Druck-Ein/Zug-Aus-Montage.

Einstellung der Abzugsgeschwindigkeit

Nur für DX200T/CF20/CF20T (Abb. **D**)

1. Wählen Sie anhand der Zimmergröße die korrekte Geschwindigkeit zur Regelung der Kondensation (CF20/CF20T) oder der Betriebsgeschwindigkeit (DX200T). Schieben Sie den Schalter **X** in die gewünschte Stellung. Bitte beachten Sie, dass der Abzug im Werk auf „Stellung 2“ eingestellt wird.

- | Schalterstellung | Größe / Zimmervolumen (m³) |
|------------------|----------------------------|
| 1 | groß (34 und mehr) |
| 2 | mittelgroß (28-34) |
| 3 | klein (weniger als 28) |

HINWEISE

Die unter „Zubehör“ aufgeführten Produkte unterstützen eine schnelle und problemlose Installation.

Wandmontage (Aufsatz)

1. Markieren Sie die Mitte des Rohrloches **A** an der Wand.
2. Schneiden Sie um diese Mitte ein Loch mit einem Durchmesser von 117 cm, dass sich nach außen leicht neigt.
3. Setzen Sie das nicht mitgelieferte Wandrohr (WD100) ein und befestigen Sie es mit Mörtel.

Wandmontage (Einsatz)

1. Markieren Sie die Mitte des Rohrloches **A** an der Wand und bohren Sie ein Führungsloch durch beide Wände.
2. Markieren Sie mit Hilfe der markierten Mitte ein rechteckiges Loch mit den Abmessungen **A** für die Innenwand.
3. Schneiden Sie das rechteckige Loch durch die Innenwand.
4. Schneiden Sie von außen ein Loch mit einem Durchmesser von 117 cm in die Außenwand; das kleine Loch dient als Mitte.
5. Messen Sie die Wandstärke. Schneiden Sie das nicht mitgelieferte Wandrohr so zurecht, dass es 64 mm kürzer ist als die Wandstärke.

Deckenmontage (Aufsatz)

Für diese Methode braucht man einen Raum oberhalb der Decke, wie zum Beispiel einen Dachboden, um das Rohr mit 100 mm Innendurchmesser montieren zu können.

1. Markieren Sie die Mitte des Rohrloches **A** an der Decke, achten Sie darauf, dass Sie keine Deckenbalken oder verlegte Leitungen beschädigen.
2. Schneiden Sie um diese Mitte ein Loch mit einem Durchmesser von 117 cm.

Deckenmontage (Einsatz)

Für das Rohr mit 100 mm Durchmesser:

1. Markieren Sie ein rechteckiges Loch mit den Abmessungen **B**.
2. Schneiden Sie das Loch; achten Sie darauf, dass Sie keine Deckenbalken oder verlegte Leitungen beschädigen.

Für das Flachrohr:

- Dieser Abzug kann in einer Öffnung mit 47 mm Durchmesser ohne Rundzapfen **7** installiert werden (Abb. **E**). Ein Flachrohr-Adapter (FDA) ist erhältlich.

Vorbereitung der Abzugsinstallation

1. Nehmen Sie die Frontabdeckung **6** ab (Abb. **C**).
2. Montieren Sie das mitgelieferte Schaumband **8** um den Rundzapfen **7**. (Abb. **E**).
3. Nehmen Sie die Elektroabdeckung **6** ab. (Abb. **E**). Das Gebläseadler lässt sich (falls nötig) entfernen, um den Zugang zu erleichtern. Dies ist eine Druck-Ein/Zug-Aus-Montage.

Einstellung der Abzugsgeschwindigkeit

Nur für DX200T/CF20/CF20T (Abb. **D**)

1. Wählen Sie anhand der Zimmergröße die korrekte Geschwindigkeit zur Regelung der Kondensation (CF20/CF20T) oder der Betriebsgeschwindigkeit (DX200T). Schieben Sie den Schalter **X** in die gewünschte Stellung. Bitte beachten Sie, dass der Abzug im Werk auf „Stellung 2“ eingestellt wird.

- | Schalterstellung | Größe / Zimmervolumen (m³) |
|------------------|----------------------------|
| 1 | groß (34 und mehr) |
| 2 | mittelgroß (28-34) |
| 3 | klein (weniger als 28) |

HINWEISE

Die unter „Zubehör“ aufgeführten Produkte unterstützen eine schnelle und problemlose Installation.

Wandmontage (Aufsatz)

1. Markieren Sie die Mitte des Rohrloches **A** an der Wand.
2. Schneiden Sie um diese Mitte ein Loch mit einem Durchmesser von 117 cm, dass sich nach außen leicht neigt.
3. Setzen Sie das nicht mitgelieferte Wandrohr (WD100) ein und befestigen Sie es mit Mörtel.

Wandmontage (Einsatz)

1. Markieren Sie die Mitte des Rohrloches **A** an der Wand und bohren Sie ein Führungsloch durch beide Wände.
2. Markieren Sie mit Hilfe der markierten Mitte ein rechteckiges Loch mit den Abmessungen **A** für die Innenwand.
3. Schneiden Sie das rechteckige Loch durch die Innenwand.
4. Schneiden Sie von außen ein Loch mit einem Durchmesser von 117 cm in die Außenwand; das kleine Loch dient als Mitte.
5. Messen Sie die Wandstärke. Schneiden Sie das nicht mitgelieferte Wandrohr so zurecht, dass es 64 mm kürzer ist als die Wandstärke.

Deckenmontage (Aufsatz)

Für diese Methode braucht man einen Raum oberhalb der Decke, wie zum Beispiel einen Dachboden, um das Rohr mit 100 mm Innendurchmesser montieren zu können.

1. Markieren Sie die Mitte des Rohrloches **A** an der Decke, achten Sie darauf, dass Sie keine Deckenbalken oder verlegte Leitungen beschädigen.
2. Schneiden Sie um diese Mitte ein Loch mit einem Durchmesser von 117 cm.

Deckenmontage (Einsatz)

Für das Rohr mit 100 mm Durchmesser:

1. Markieren Sie ein rechteckiges Loch mit den Abmessungen **B**.
2. Schneiden Sie das Loch; achten Sie darauf, dass Sie keine Deckenbalken oder verlegte Leitungen beschädigen.

Für das Flachrohr:

- Dieser Abzug kann in einer Öffnung mit 47 mm Durchmesser ohne Rundzapfen **7** installiert werden (Abb. **E**). Ein Flachrohr-Adapter (FDA) ist erhältlich.

Vorbereitung der Abzugsinstallation

1. Nehmen Sie die Frontabdeckung **6** ab (Abb. **C**).
2. Montieren Sie das mitgelieferte Schaumband **8** um den Rundzapfen **7**. (Abb. **E**).
3. Nehmen Sie die Elektroabdeckung **6** ab. (Abb. **E**). Das Gebläseadler lässt sich (falls nötig) entfernen, um den Zugang zu erleichtern. Dies ist eine Druck-Ein/Zug-Aus-Montage.

Einstellung der Abzugsgeschwindigkeit

Nur für DX200T/CF20/CF20T (Abb. **D**)

1. Wählen Sie anhand der Zimmergröße die korrekte Geschwindigkeit zur Regelung der Kondensation (CF20/CF20T) oder der Betriebsgeschwindigkeit (DX200T). Schieben Sie den Schalter **X** in die gewünschte Stellung. Bitte beachten Sie, dass der Abzug im Werk auf „Stellung 2“ eingestellt wird.

- | Schalterstellung | Größe / Zimmervolumen (m³) |
|------------------|----------------------------|
| 1 | groß (34 und mehr) |
| 2 | mittelgroß (28-34) |
| 3 | klein (weniger als 28) |

HINWEISE

Die unter „Zubehör“ aufgeführten Produkte unterstützen eine schnelle und problemlose Installation.

Wandmontage (Aufsatz)

1. Markieren Sie die Mitte des Rohrloches **A** an der Wand.
2. Schneiden Sie um diese Mitte ein Loch mit einem Durchmesser von 117 cm, dass sich nach außen leicht neigt.
3. Setzen Sie das nicht mitgelieferte Wandrohr (WD100) ein und befestigen Sie es mit Mörtel.

Wandmontage (Einsatz)

1. Markieren Sie die Mitte des Rohrloches **A** an der Wand und bohren Sie ein Führungsloch durch beide Wände.
2. Markieren Sie mit Hilfe der markierten Mitte ein rechteckiges Loch mit den Abmessungen **A** für die Innenwand.
3. Schneiden Sie das rechteckige Loch durch die Innenwand.
4. Schneiden Sie von außen ein Loch mit einem Durchmesser von 117 cm in die Außenwand; das kleine Loch dient als Mitte.
5. Messen Sie die Wandstärke. Schneiden Sie das nicht mitgelieferte Wandrohr so zurecht, dass es 64 mm kürzer ist als die Wandstärke.

Deckenmontage (Aufsatz)

Für diese Methode braucht man einen Raum oberhalb der Decke, wie zum Beispiel einen Dachboden, um das Rohr mit 100 mm Innendurchmesser montieren zu können.

1. Markieren Sie die Mitte des Rohrloches **A** an der Decke, achten Sie darauf, dass Sie keine Deckenbalken oder verlegte Leitungen beschädigen.
2. Schneiden Sie um diese Mitte ein Loch mit einem Durchmesser von 117 cm.

Deckenmontage (Einsatz)

Für das Rohr mit 100 mm Durchmesser:

1. Markieren Sie ein rechteckiges Loch mit den Abmessungen **B**.
2. Schneiden Sie das Loch; achten Sie darauf, dass Sie keine Deckenbalken oder verlegte Leitungen beschädigen.

Für das Flachrohr:

- Dieser Abzug kann in einer Öffnung mit 47 mm Durchmesser ohne Rundzapfen **7** installiert werden (Abb. **E**). Ein Flachrohr-Adapter (FDA) ist erhältlich.

Vorbereitung der Abzugsinstallation

1. Nehmen Sie die Frontabdeckung **6** ab (Abb. **C**).
2. Montieren Sie das mitgelieferte Schaumband **8** um den Rundzapfen **7**. (Abb. **E**).
3. Nehmen Sie die Elektroabdeckung **6** ab. (Abb. **E**). Das Gebläseadler lässt sich (falls nötig) entfernen, um den Zugang zu erleichtern. Dies ist eine Druck-Ein/Zug-Aus-Montage.

Einstellung der Abzugsgeschwindigkeit

Nur für DX200T/CF20/CF20T (Abb. **D**)

1. Wählen Sie anhand der Zimmergröße die korrekte Geschwindigkeit zur Regelung der Kondensation (CF20/CF20T) oder der Betriebsgeschwindigkeit (DX200T). Schieben Sie den Schalter **X** in die gewünschte Stellung. Bitte beachten Sie, dass der Abzug im Werk auf „Stellung 2“ eingestellt wird.

- | Schalterstellung | Größe / Zimmervolumen (m³) |
|------------------|----------------------------|
| 1 | groß (34 und mehr) |
| 2 | mittelgroß (28-34) |
| 3 | klein (weniger als 28) |

HINWEISE

Die unter „Zubehör“ aufgeführten Produkte unterstützen eine schnelle und problemlose Installation.

Wandmontage (Aufsatz)

1. Markieren Sie die Mitte des Rohrloches **A** an der Wand.
2. Schneiden Sie um diese Mitte ein Loch mit einem Durchmesser von 117 cm, dass sich nach außen leicht neigt.
3. Setzen Sie das nicht mitgelieferte Wandrohr (WD100) ein und befestigen Sie es mit Mörtel.

Wandmontage (Einsatz)

1. Markieren Sie die Mitte des Rohrloches **A** an der Wand und bohren Sie ein Führungsloch durch beide Wände.
2. Markieren Sie mit Hilfe der markierten Mitte ein rechteckiges Loch mit den Abmessungen **A** für die Innenwand.
3. Schneiden Sie das rechteckige Loch durch die Innenwand.

تركيب المروحة في جدار أو سقف، **(التركيب السطحي)**

- قم بتركيب أنبوب التهوية في القطب واخيطه في الوضع المطلوب، وفي حالة التركيب في الجدار، تأكد من أن الأنبوب يميل إلى أسفل بعيدا عن المروحة.
- ضع علامات لتحديد مواضع ثقب التثبيت الثلاثة **A** في صندوق المروحة **(الشكل E)**.
- في حالة التركيب في الجدار، قم بفتح ثلاثة ثقوب بقطر 5,5 ملم لسدادات الجدار (مرفقة مع المروحة).
- أما في حالة التركيب في السقف **B** فيجب إستعمال المثبتات المناسبة (غير مرفقة). اقطع ثقب مدخل الكابلات في الطوق **(10)** إذا كان مطاوبا، وافتح عروة الكابل، ارفع الخوץ **(10)** ليتركب على صندوق المروحة **(6)**
- مرر الكابلات الكهربائية في صندوق المروحة **(6)** عن طريق ثقب مدخل الكابلات الخلفي والطوق، وهم بإعادة تثبيت عروة الكابل، تأكد من أن عروة الكابل في موضعها وثابتة بإحكام.
- قم بوضع صندوق المروحة **(6)** في الجدار، وتأكد من دخول ذيل الماسورة الدائري **(7)** في الأنبوب.
- ثبت صندوق المروحة **(6)** في الجدار باستخدام البراغى **(8)** أو في السقف، معتخدما المثبتات المناسبة (غير مرفقة مع المروحة).

في حالة التركيب المتساطح

لا يلزم استخدام الطوق **(10)** في هذه التركيبات. يجب تركيب الأنبوب، في ذيل الماسورة الدائري **(7)**.

وإذا كان حجم الثقب كما هو موصى به:

- قم بتركيب مشابك هيكل المروحة الثلاثة **(9)** في صندوق المروحة **(6)** مستخدما البراغى **(8)**.
- افتح عروة الكابل ومرر الكابلات الكهربائية في صندوق المروحة **(6)** عن طريق ثقب مدخل الكابل وعروته.
- تأكد من أن عروة الكابل مائلة في موضعها بإحكام.
- ثم بوضع صندوق المروحة **(6)** في الجدار.
- أحكام زيف البراغى الثلاثة **(8)** إلى أن يتم تثبيت المروحة في الجدار، وستدور مشابك هيكل المروحة **(9)** إلى وضع التوقف التلقائي، يجب مراعاة عدم إحكام الربط بإفراط.

*إذا كان حجم الثقب أوسع من الموصى به، أي أكبر من الشفة الموجودة على صندوق المروحة **(6)**، يتعلق هذا في الغالب بتركيبات التثبيت الارتجاعي، ففي هذه الحالة:*

- تكون مثابرا، هيكل المروحة غير مناسبة، ويجب عمل إطار من الخشب، بأبعاد داخلية **233x203**ملم، وبعمق **50**ملم على الأقل، قم بتثبيت الإطار الخشبي في الجدار الداخلي ثم قم بترميمه الثقب.
- قم بوضع صندوق المروحة **(6)** في الجدار.
- ثبت صندوق المروحة **(6)** بالبراغي في الإطار الخشبي، مستعملا الفتحات الموجودة في الشفة (البراغي المطلوبة غير مرفقة مع المروحة).

في حالة التركيب في السقف (التركيب المتساطح)

- لا يلزم استخدام الطوق **(10)** في هذه التركيبات.
- ضع صندوق المروحة **(6)** في الثقب وضع علامات تحدد المواضع الأربعة مستخدما الفتحات الموجودة في الشفة **B**.
- انزع صندوق المروحة **(6)** من السقف وهم بتركيب، مشابك السقف الأربعة (مرفقة مع المروحة) فوق حافة الثقب بحيث تتعاضد المشابك مع العلامات الموجودة على السقف **B**.
- قم بعمل أربعة ثقوب دليلية عبر الثقب الموجود في كل مشبك، تأكد من عدم إنثلاف المشابك.
- قم بتركيب الأنبوب في ذيل الماسورة الدائري **(7)**.
- ضع صندوق المروحة **(6)** في السقف.
- افتح عروة الكابل الكهربائي ومرر الكابل الكهربائي في صندوق المروحة **(6)** عن طريق ثقب مدخل الكابلات الأمامي.

تأكد من أن عروة الكابل مائلة في موضعها بإحكام.

- ثبت شفة صندوق المروحة في مشابك السقف مستخدما البراغى **(10)** **(الشكل B)**.

التركيب أنبوبي الهواء

قم بتركيب المسيبة الخارجية (مثلا **100CFWG** غير مرفقة مع **DX200**) واستعمل الملحقات الإضافية المناسبة في حالة التركيب السفني.

توصيل أسلاك التوصيلات الكهربائية

تحذير: يجب توصيل هذه المراوح بالطرف الأرضي

- افصل مصدر التيار الكهربائي وانزع جميع المحصرات، صندوقة المرابط **block terminal** تثيل كابلا إلى حد **1,5** أمم².
- يجب استخدام وسيلة من وسائل الفصل مع جميع الأقطاب في التوصيلات الثابتة وفقاً للوائح توصيل الأسلاك
- استعمل كابلا مناسبيا بجزء مركزي **3** أو **4** حسب الاستعمال.
- انزع براغي غطاء المرابط **terminal cover** إذا كانت لا تزال في موضعها.
- قم بتوصيل أسلاك المروحة كما هو مبين في الشكل **F** مسهلا مشابرا، الكابل المرفوق مع المروحة. وطابق موذيل المروحة على الرسم التوضيحي (سرعة بطيئة)
 - حي = LL / (سرعة عالية)
حي = **DX200/ DX200T** : LH
- انزع غطاء المرابط **(5)** واربط البراغى المشبته.
- انظر القسم الخاص بالتعديلات التي يرغب المستخدم في إجرائها إذا كان يريد تركيبات مغايرة للتركيب المعلمي.
- قم بإعادة تثبيت النقاط الأمامي **(الشكل C)**.
- قم بتوصيل الكابل من المعتاد العازل إلى أسلاك مصدر التيار الكهربائي وتأكد مجددا من التركيب.
- قم بإعادة تثبيت المحصرات قبل فتح مصدر التيار الكهربائي.
- في حالة دوائر الأسلاك الثابتة يجب ألا تزيد سعة المحصر الواقي للجهاز عن **5** أمبير.

أستراليا فقط

CF20 الربط بمصدر التيار كابل مرن ذو محور **3** مع غطاء سداد ذو ثلاثة مسامير في مفتاح يستعمل للتركيب السطحي في الجدار، سعة **10** بفاسل لا يقل عن **3**ملم بين التوصيلات.

البلدان الأخرى ربط دائم بمصدر التيار الكهربائي، وتشغيل مفتاح لجهاز التحكم عن بعد، يجب أن تريف مباشرة بمصدر التيار الكهربائي عن طريق مفتاح مرخص للتركيب السطحي في الجدار، سعة **10** أمبير، فاسل لا يقل عن **3**ملم بين التوصيلات.

تعديلات المستخدم

قبل القيام بأي تعديلات، افصل المروحة تماما عن مصدر التيار الكهربائي وتأكد من المواصفات ادناه لتحديد الخصائص التي تنطبق على مروحتك.

- انزع الغطاء الأمامي وهم بإعادة تثبيته بعد اجراء التعديل **(الشكل C)**.

DX200

لا توجد تعديلات يمكن أن يجريها المستخدم لهذه المروحة.

DX200T

- يمكن تعديل فترة تجاوز زمن التشغيل في جهاز التوقيت بين حوالي **30** ثانية و**20** دقيقة. استخدم مفتأ كهربائياً لإدارة البرغي **T** **(الشكل D)** باتجاه عقرب الساعة لزيادة الوقت، ويعكس اتجاه عقرب الساعة لتضليل الوقت، (الفترة المحددة مسبقا من قبل المعمل **10** دقائق).

CF20

- يمكن تعديل ضبط الرطوبة بين حوالي **50** في المئة و**90** في المئة رطوبة نسبية. استخدم مفتأ كهربائياً ولف البرغي **RH** **(الشكل D)** باتجاه عقرب الساعة لزيادة ضبط الرطوبة النسبية ويعكس اتجاه عقرب الساعة لتقليله. (ملاحظة: تكون المروحة أشد حساسية عندما تكون الرطوبة النسبية **50** في المئة وهي مضبوطة مسبقا عن قبل المعمل على حوالي **70** في المئة)

CF20T

- يمكن تعديل فترة تجاوز زمن التشغيل في جهاز التوقيت، بين حوالي **30** ثانية و**20** دقيقة. استخدم مفتأ كهربائياً ولف البرغي **T** **(الشكل D)** باتجاه عقرب الساعة لزيادة الفترة، ويعكس اتجاه عقرب الساعة لتقاربا.

bei 90%. Werkseinstellung: etwa 70%).

CF20T

- Die Überlaufzeit für den Timer lässt sich etwa von 30 Sekunden bis 20 Minuten verstellen. Verwenden Sie einen Elektrikerschraubenzieher und drehen Sie die Schraube „T“ (Abb. **D**) im Uhrzeigersinn, wenn Sie die Dauer erhöhen und gegen den Uhrzeigersinn, wenn Sie diese senken möchten.
- Die Einstellung der Feuchtigkeit variiert etwa zwischen 50% und 90% relativer Feuchtigkeit. Verwenden Sie einen Elektrikerschraubenzieher und drehen Sie die Schraube „RH“ (Abb. **D**) im Uhrzeigersinn, wenn Sie die relative Feuchtigkeit erhöhen und gegen den Uhrzeigersinn, wenn Sie diese senken möchten. (Bitte beachten Sie: der Abzug reagiert bei 50% relativer Feuchtigkeit empfindlicher als bei 90%).

Betätigung des Abzugs

DX200

Den Abzug betätigen Sie mit dem EIN/AUS-Schalter. Wiederholen und ausschalten. Die Geschwindigkeit wird vom Installateur entweder auf hoch oder niedrig eingestellt. (Falls ein Schalter zum Wechseln installiert ist, kann der Benutzer selbst von hoch nach niedrig und umgekehrt schalten).

DX200T

Den Abzug betätigen Sie mit dem EIN/AUS-Schalter. Wiederholen und ausschalten. Wenn der Schalter ausgeschaltet ist, läuft der Abzug noch während der eingestellten Überlaufzeit weiter. Die obere Lampe „I“ ist eingeschaltet, wenn der externe EIN/AUS-Schalter eingeschaltet ist. Die Geschwindigkeit wird vom Installateur auf hoch, mittel oder niedrig eingestellt.

Startverzögerung ein oder aus

Diese Einstellung erfolgt durch den Installateur auf 2 Minuten Verzögerung beim Einschalten, sofern ein externer EIN/AUS-Schalter verwendet wird.

CF20/CF20T

Schalterbetrieb
Der Abzug kann mit einem separaten EIN/AUS-Schalter versehen werden. Der Abzug läuft auf Kondensationsgeschwindigkeit, wenn er eingeschaltet ist. Die obere Lampe „I“ ist eingeschaltet, wenn der separate EIN/AUS-Schalter eingeschaltet ist. Der Abzug läuft nach dem Ausschalten weiter, wenn der Feuchtigkeitspegel den eingestellten Wert übersteigt. Nur für CF20T. Der Abzug läuft nach dem Ausschalten auf Kondensationsgeschwindigkeit während der Überlaufzeit des Timers weiter.

Kondensationsbetrieb
Der Abzug läuft auf Kondensationskontrollgeschwindigkeit, wenn die relative Feuchtigkeit den eingestellten Wert übersteigt, und er schaltet sich ab, wenn der Feuchtigkeitspegel sinkt.

Verstärkter Betrieb
Der integrierte Schalter mit Zugschnur schaltet den Abzug auf die richtige Geschwindigkeit ein. Die untere Lampe „II“ ist eingeschaltet, wenn der Abzug mit hoher Geschwindigkeit läuft. Bitte beachten: Wenn sowohl der separate EIN/AUS-Schalter als auch der integrierte Zugschalter eingeschaltet sind, so sind auch die beiden Lampen „I“ und „II“ eingeschaltet und der Abzug läuft auf hoher Geschwindigkeit.

Nur CF20T

Verzögerung ein oder aus
Der Installateur stellt eine Verzögerung von 2 Minuten ein, wenn der Abzug mit dem separaten EIN/AUS-Schalter gestartet wird.

Reinigung

Vor dem Reinigen stets die Stromzufuhr komplett ausschalten!
Reinigen Sie die Außenfläche des Abzugs nur mit einem feuchten, lintfreien Tuch. Verwenden Sie keine scharfen Reinigung- oder Lösungsmittel bzw. chemische Mittel. Lassen Sie den Abzug gut abtrocknen, bevor Sie ihn einschalten. Außer der Reinigung ist keine ständige Wartung erforderlich.

Schlüssel	Siehe Abbildung E
1. Ablenkplatte	7. Rundzapfen
2. Frontabdeckung	8. Klemmschrauben und Dübel, 3 Stck.
3. Gebläserad	9. Abzugskörperklemmen, 3 Stck.
4. Befestigungsschrauben	10. Einfassung
5. Anschlussabdeckung	11. Deckenschrauben, 25 mm lang, 4 Stck. (Abb. B)
6. Abzugskasten	12. Schaumband

BITTE BEWAHREN SIE DIESES HEFT FÜR DEN BENUTZER IN DER NÄHE DES ABZUGS AUF.

- Die Abzugskörperklemmen SIND NICHT geeignet. Fertigen Sie einen Holzrahmen mit den Innenmaßen 203 x 233 mm. Die Tiefe muss mindestens 50 mm betragen. Befestigen Sie den Holzrahmen in der Innenwand und reparieren Sie das Loch.
- Halten Sie den Abzugskasten **(6)** an die Wand.
- Schrauben Sie den Abzugskasten **(6)** am Holzrahmen mit Hilfe der Schlitzle im Flansch fest (Schrauben sind nicht mitgeliefert).

Deckenmontage (Einsatz)

- Die Einfassung **(10)** ist nicht erforderlich.
- Setzen Sie den Abzugskasten **(6)** in das Loch und markieren Sie die vier Stellen mit Hilfe der Schlitzle im Flansch **(6)**.
- Nehmen Sie den Abzugskasten **(6)** von der Decke ab und befestigen Sie die vier Deckenklemmen (mitgeliefert) über dem Lochrand, so dass die Klemmern der Markierung an der Decke **(8)** entsprechen.
- Bohren Sie vier Führungslöcher in die Decke durch das Loch in jeder Klammer. Achten Sie darauf, dass Sie die Klammer nicht beschädigen.
- Befestigen Sie das Rohr am Rundzapfen **(7)**.
- Halten Sie den Abzugskasten **(6)** an die Decke.
- Schlitzten Sie die Durchgangsstüle auf. Schieben Sie nun die Kabel in den Abzugskasten **(6)** durch das vordere Kabelloch. Achten Sie darauf, das die **Durchgangsstüle richtig sitzt und gut befestigt** ist.
- Befestigen Sie mit Hilfe der Schrauben **(11)** (Abb. **B**) den Abzugskastenflansch an den Deckenklemmern.

Rohrbruch/Rohrabschluss

Befestigen Sie ein Außengitter (z.B. CFWG100, bei DX200/DX200T nicht mitgeliefert) an der Außenwand. Bei Deckenmontage verwenden Sie bitte das entsprechende Zubehör (nicht mitgeliefert).

Elektrische Installation

WARNUNG! DIESES GERÄT MUSS GEERDET WERDEN

- Unterbrechen Sie die Stromzufuhr und entfernen Sie alle Sicherungen. Der Anschlussblock ist für Kabel bis zu 1,5 mm² geeignet.**
- Eine Vorrichtung zur Trennung aller Pole muss gemäß den Verdrahtungsvorschriften in die Festverdrahtung integriert werden.
- Verwenden Sie je nach Anwendung das entsprechende Dreier- bzw. Viererdkabel.
- Entfernen Sie die Befestigungsschrauben an der Anschlussblockabdeckung, falls noch in Position.
- Verdrchten Sie den Abzug mit Hilfe der Kabelklemme wie in **F** gezeigt. Prüfen Sie das Abzugsmodell und die Zeichnung.
 - DX200:** „LH“ = Live / stromführend (hohe Geschwindigkeit) / „LL“ = Live/ stromführend (niedrige Geschwindigkeit).
- Setzen Sie die Anschlussblockabdeckung **(6)** wieder auf und ziehen Sie die Schrauben an.
- Falls Sie die im Werk vorgenommenen Einstellungen ändern möchten, lesen Sie bitte den Abschnitt „Einstellung durch den Benutzer“
- Setzen Sie die vordere Abdeckung wieder auf (Abb. **C**).
- Schließen Sie das Kabel vom Isolierschalter an die elektrischen Stromkabel an und prüfen Sie die Installation.
- Setzen Sie die Sicherungen wieder ein, bevor Sie die Stromzufuhr einschalten.
- Bei festen Kreisen darf die Schutzsicherung nicht über 5A liegen.

Nur für Australien
CF20 – Der Anschluss an die Stromzufuhr erfolgt über flexible Dreieradkabel mit dreipoligem Stecker zum Einschub in zulässige Wandschalter mit 10A und mindestens 3 mm Zwischenraum zwischen den Kontakten.

Alle anderen Länder – Permanenter Anschluss an das Netz und fernbedienter Schalter. Die Verdrahtung zum Netz erfolgt über zulässige Wandschalter mit 10 A und mindestens 3 mm Zwischenraum zwischen den Kontakten.

Einstellungen durch den Benutzer

Bevor Sie irgend etwas verstellen, trennen Sie bitte den Abzug komplett von der Stromzufuhr und prüfen Sie die nachstehenden Angaben, um zu sehen, was für Sie zutrifft.

- Nehmen Sie die Frontabdeckung ab und setzen Sie diese nach dem Verstellen wieder auf (Abb. **C**).

DX200

Für diesen Abzug gibt es keine Verstellmöglichkeiten.

DX200T

- Die Überlaufzeit für den Timer lässt sich etwa von 30 Sekunden bis 20 Minuten verstellen. Verwenden Sie einen Elektrikerschraubenzieher und drehen Sie die Schraube „T“ (Abb. **D**) im Uhrzeigersinn, wenn Sie die Dauer erhöhen und gegen den Uhrzeigersinn, wenn Sie diese senken möchten. (Werkseinstellung: etwa 10 Minuten).

CF20

- Die Einstellung der Feuchtigkeit variiert etwa zwischen 50% und 90% relativer Feuchtigkeit. Verwenden Sie einen Elektrikerschraubenzieher und drehen Sie die Schraube „RH“ (Abb. **D**) im Uhrzeigersinn, wenn Sie die relative Feuchtigkeit erhöhen und gegen den Uhrzeigersinn, wenn Sie diese senken möchten. (Bitte beachten Sie: der Abzug reagiert bei 50% relativer Feuchtigkeit empfindlicher als

BELANGRIJK

- LEES AL DEZE INSTRUCTIES EN WAARSCHUWINGEN VOLLEDIG VOOR U MET DE INSTALLATIE BEGINT
- DE MONTAGE EN BEDRAGING MOETEN VOLDOEN AAN DE HUIDIGE IEE-VOORSCHRIFTEN (GB), PLAATSELIJKE OF TOEPASSELIJKE VOORSCHRIFTEN (ANDERE LANDEN). HET IS DE VERANTWOORDELIJKHEID VAN DE INSTALLATEUR OM ERVOOR TE ZORGEN DAT DE GELDENDEN BOUWVOORSCHRIFTEN WORDEN OPGEVOLGD.
- EEN GEKwalificeerde ELEKTRICIAN MOET CONTROLLEREN ALLE INSTALLATIES.
- DEZE TOESTELLEN ZIJN BEDOELD OM MET VASTE AANSLUITING TE WORDEN AANGESLOTEN.
- GA NA OP DE ELEKTRISCHE WAARDEN OP DE VENTILATOR OVEREENKOMEN MET DE NETVOEDING.
- WAARSCHUWING: DEZE TOESTELLEN MOETEN GEAARD WORDEN.**
- PLAATS DE TOESTELLEN NIET IN DE NABIJHEID VAN DIRECTE WARMTEBRONNEN (B.V. GASFORNUIZEN OF GRILLS OP OOGHOOGTE) EN VERMIJD RIJMTEN WAAR DE OMGEVINGSTEMPERATUUR BOVEN 50°C KAN KOMEN.
- WANNEER DE VENTILATOR GEïNSTALLEERD WORDT IN EEN KAMER WAAR EEN KACHEL WORDT GESTOOKT MOETEN VOORZORGSMAATREGELEN GENOMEN WORDEN OM TE VERMIJDEN DAT DE GASSEN VAN DE OPEN SCHOORSTEEN VAN DE KACHEL IN DE KAMER TERUGSTROMEN.
- ZORG DAT ALLE RELEVANTE VEILIGHEIDSMATREGELEN (CORRECTE OOGBESCHERMING EN BESCHERMENDE KLEDING ETC.) GENOMEN WORDEN BIJ DE INSTALLATIE, HET GEBRUIK EN ONDERHOUD VAN DEZE VENTILATOR .
- VOOR ALGEMENE RICHTLIJNEN VOOR DE LOCATIE VAN DE VENTILATOR ZIE "AFB. G". PLAATS DE VENTILATOR ALTIJD ZO HOOG MOGELIJK.
- ALS EEN DEEL VAN HET KANAAL HOGER WORDT GEPLAATST DAN DE VENTILATOR, MOET ZO DICHT MOGELIJK BIJ DE VENTILATOR EEN CONDENSAAFTANG (XCT100) WORDEN GEMONTEERD.
- DIT APPARAAT IS NIET BEDOELD VOOR GEBRUIK DOOR PERSONEN (MET INBEGRIJF VAN KINDEREN EN ZIEKEN) MET VERMINDERDE LICHAMELJKE, ZINTUIGLIJKE OF GEESTELIJKE CAPACITEITEN OF EEN GEBREK AAN ERVARING EN KENNIS, TENZIJ ZIJ SUPERVISIE OF INSTRUCTIE OVER HET GEBRUIK VAN HET APPARAAT ONTVANGEN VAN IEMAND DIE VERANTWOORDELIJK IS VOOR HUN VEILIGHEID. KINDEREN MOETEN ALTIJD TOEZICHT ONTVANGEN OM TE VERZEKEREN DAT ZE NIET MET HET APPARAAT SPELEN.

De druppelsnelheid selecteren

Alleen bij **DX200T / CF20 / CF20T** (Fig. **D**)

- De ventilator kan ingesteld worden voor een constante druppelextractie. Schuif schakelaar **Y** in de gewenste positie. Opmerking: De ventilator wordt in de fabriek op "Positie 0" gezet.
- Positie van schakelaar

Stand	Druppelextractie UIT
0	Druppelextractie AAN
1	Druppelextractie AAN

De tijdstijstel instellen

Alleen bij **CF20 / CF20T** (Fig. **D**)

- De ventilator kan ingesteld worden met een tijdstijstel van 2 minuten wanneer hij gebruikt wordt met een externe aan/uit schakelaar. Schuif de schakelaar **Z** in de gewenste positie. Opmerking: De ventilator wordt in de fabriek op "Positie 0" gezet.
- Positie van schakelaar

Stand	Tijdstijstel UIT
0	Tijdstijstel AAN
1	Tijdstijstel AAN

De ventilator op een muur of plafond installeren.

- Plaats de buis in het gat en lijn het goed uit. Als de ventilator op een muur geïnstalleerd wordt, moet u ervoor zorgen dat het kanaal vanaf de ventilator schuin afloopt.
- Markeer op de muur of op het plafond de posities van de drie montagegaten **A** in het ventilatorhuis **6** (Fig. **E**).
- Als de ventilator op de muur geïnstalleerd wordt, boor dan drie gaten van 5,5mm voor de muurpluggen (bijgeleverd). Gebruik mij montage op het plafond **B** geschikte bevestigingsmiddelen (niet bijgeleverd).
- Maak indien gewenst een gat voor de kabel in de montageplaat **10** en snijd de kabelring. Schuif de montageplaat **10** over het ventilatorhuis **6**.
- Schuif de elektrische kabels in het ventilatorhuis **6** door het achterste kabelgat en montageplaat en monteer het kabeloogje opnieuw. **Zorg ervoor dat de kabelring op zijn plaats zit en goed past.**
- Zet het ventilatorhuis **6** tegen de muur of in het plafond en zorg ervoor dat de ronde luchtinlaat **7** in het kanaal komt.
- Monteer het ventilatorhuis **6** op de muur met schroeven **8** of op het plafond met geschikte bevestigingsmiddelen (niet bijgeleverd).

Als u de ventilator in een muur installeert (verzonken)

U heeft de montageplaat **10** hier niet voor nodig. Monteer het kanaal op de ronde luchtinlaat **7**.

Als het gat de aanbevolen afmetingen heeft:

- Monteer de drie montageklemmen **9** met schroeven **8** op het ventilatorhuis **6**.
- Snij de kabelring. Schuif de elektrische kabels in het ventilatorhuis **6** door het kabelgat en de kabelring. **Zorg ervoor dat de kabelring op zijn plaats zit en goed past.**

Als het gat groter is dan aanbevolen, d.w.z. als het gat groter is dat de flens van het ventilatorhuis **6 (meestal het geval bij "retro-fit" installaties):**

- De montageklemmen zijn NIET geschikt. Maak een houten frame met BINNEN afmetingen van 203 x 233mm.

2. U kunt de vochtigheidsgraad van de lucht met behulp van een vochtmeter meten. De vochtigheidsgraad van de lucht moet lager zijn dan 90% bij een relatieve vochtigheid van 50%. De vochtigheidsgraad van de lucht moet lager zijn dan 90% bij een relatieve vochtigheid van 50%. De vochtigheidsgraad van de lucht moet lager zijn dan 90% bij een relatieve vochtigheid van 50%.

Instelling van de vochtigheidsgraad

De vochtigheidsgraad van de lucht wordt gereguleerd door de vochtigheidsgraad van de lucht. De vochtigheidsgraad van de lucht wordt gereguleerd door de vochtigheidsgraad van de lucht. De vochtigheidsgraad van de lucht wordt gereguleerd door de vochtigheidsgraad van de lucht.

DX200T

De vochtigheidsgraad van de lucht wordt gereguleerd door de vochtigheidsgraad van de lucht. De vochtigheidsgraad van de lucht wordt gereguleerd door de vochtigheidsgraad van de lucht. De vochtigheidsgraad van de lucht wordt gereguleerd door de vochtigheidsgraad van de lucht.

Smeermiddel voor de vochtigheidsgraad van de lucht

De vochtigheidsgraad van de lucht wordt gereguleerd door de vochtigheidsgraad van de lucht. De vochtigheidsgraad van de lucht wordt gereguleerd door de vochtigheidsgraad van de lucht. De vochtigheidsgraad van de lucht wordt gereguleerd door de vochtigheidsgraad van de lucht.

CF20/CF20T

De vochtigheidsgraad van de lucht wordt gereguleerd door de vochtigheidsgraad van de lucht. De vochtigheidsgraad van de lucht wordt gereguleerd door de vochtigheidsgraad van de lucht. De vochtigheidsgraad van de lucht wordt gereguleerd door de vochtigheidsgraad van de lucht.

Instelling van de vochtigheidsgraad

De vochtigheidsgraad van de lucht wordt gereguleerd door de vochtigheidsgraad van de lucht. De vochtigheidsgraad van de lucht wordt gereguleerd door de vochtigheidsgraad van de lucht. De vochtigheidsgraad van de lucht wordt gereguleerd door de vochtigheidsgraad van de lucht.

Boost Operation

De vochtigheidsgraad van de lucht wordt gereguleerd door de vochtigheidsgraad van de lucht. De vochtigheidsgraad van de lucht wordt gereguleerd door de vochtigheidsgraad van de lucht. De vochtigheidsgraad van de lucht wordt gereguleerd door de vochtigheidsgraad van de lucht.

Smeermiddel voor de vochtigheidsgraad van de lucht

De vochtigheidsgraad van de lucht wordt gereguleerd door de vochtigheidsgraad van de lucht. De vochtigheidsgraad van de lucht wordt gereguleerd door de vochtigheidsgraad van de lucht. De vochtigheidsgraad van de lucht wordt gereguleerd door de vochtigheidsgraad van de lucht.

CF20T

De vochtigheidsgraad van de lucht wordt gereguleerd door de vochtigheidsgraad van de lucht. De vochtigheidsgraad van de lucht wordt gereguleerd door de vochtigheidsgraad van de lucht. De vochtigheidsgraad van de lucht wordt gereguleerd door de vochtigheidsgraad van de lucht.

Instelling van de vochtigheidsgraad

De vochtigheidsgraad van de lucht wordt gereguleerd door de vochtigheidsgraad van de lucht. De vochtigheidsgraad van de lucht wordt gereguleerd door de vochtigheidsgraad van de lucht. De vochtigheidsgraad van de lucht wordt gereguleerd door de vochtigheidsgraad van de lucht.

E

1. De vochtigheidsgraad van de lucht wordt gereguleerd door de vochtigheidsgraad van de lucht.
2. De vochtigheidsgraad van de lucht wordt gereguleerd door de vochtigheidsgraad van de lucht.
3. De vochtigheidsgraad van de lucht wordt gereguleerd door de vochtigheidsgraad van de lucht.
4. De vochtigheidsgraad van de lucht wordt gereguleerd door de vochtigheidsgraad van de lucht.
5. De vochtigheidsgraad van de lucht wordt gereguleerd door de vochtigheidsgraad van de lucht.
6. De vochtigheidsgraad van de lucht wordt gereguleerd door de vochtigheidsgraad van de lucht.

De vochtigheidsgraad van de lucht wordt gereguleerd door de vochtigheidsgraad van de lucht.

Het moet minstens 50mm diep zijn. Monteer het houten frame in de binnenmuur en werk het gat netjes af.

- Zet het ventilatorhuis **6** tegen de muur.
- Schroef het ventilatorhuis **6** met de gleuven in de flens op het houten frame vast (schroeven niet bijgeleverd).

Als u de ventilator in een plafond installeert (verzonken)

- U heeft de montageplaat **10** hier niet voor nodig.
- Doe het ventilatorhuis **6** in het gat en markeer vier posities met de gleuven in de flens **5**.
- Verwijder het ventilatorhuis **6** van het plafond en monteer de vier plafondklemmen (bijgeleverd) in de rand van het gat zodat de klemmen op één lijn liggen met de gemarkeerde punten op het plafond **B**.
- Boor vier testgaaftjes in het plafond door het gaatje van elke klem. Zorg ervoor dat u de klem niet beschadigt.
- Monteer het kanaal op de ronde luchtinlaat **7**.
- Zet het ventilatorhuis **6** tegen het plafond.
- Snijd de kabelring. Schuif de elektrische kabel in het ventilatorhuis **6** door het voorste kabelgat. **Zorg ervoor dat de kabelring op zijn plaats zit en goed past.**
- Monteer de flens van het ventilatorhuis met de schroeven **11** (Fig. **5**) aan de plafondklemmen

Het kanaal aansluiten

Monteer een buitenrooster (zoals CFWG100, niet meegeleverd bij de DX200/DX200T) op de buitenmuur. Maak bij een plafondmontage gebruik van geschikte accessoires (niet bijgeleverd).

De elektrische verbindingen aansluiten

WAARSCHUWING! DIT APPARAAT MOET GEAARD ZIJN

- Sluit de netvoeding af en verwijder eventueel de zekeringen. Het aansluitblok is geschikt voor kabels tot 1,5mm².**
- De vaste bedrading moet het mogelijk maken om aansluiting op alle polen te verbreken in overeenstemming met de bedradingvoorschriften.
- Gebruik geschikte 3-aderige of 4-aderige kabel afhankelijk van het gebruik.
- Verwijder de bevestigingsschroeven van het kapje van het aansluitblok, als deze nog op zijn plaats zit.
- Bedraad de ventilator zoals aangegeven in **F** met de bijgeleverde kabelklem. Controleer of het ventilatortype klopt met het aansluitdiagram. **DX200:** "LH" = onder stroom (hoge snelheid)/ "LL" = onder stroom (lage snelheid)
- Plaats het kapje van het aansluitblok **5** terug en draai de overblijvende bevestigingsschroeven aan.
- Verwijs naar het onderdeel "Afstellingen door de gebruiker" voor het gebruik van standen die niet werden ingesteld in de fabriek.
- Plaats de schermplaat terug (Fig. **C**).
- Verbind de kabel vanuit de scheidingsschakelaar met de elektrische bedrading en controleer de installatie opnieuw.
- Plaats de zekeringen terug vooraleer u de netvoeding aansluit.
- Bij vaste bedradingen mag de zekering voor het apparaat niet hoger zijn dan 5A.

Alleen voor Australië

CF20 – Verbinding aan de netvoeding – plooibare 3-aderige kabel met een 3-pin stekker die aangebracht moet worden in een goedgekeurde 10A schakelaar die op de muur gemonteerd wordt met minstens 3mm contactafstand.

ALLE ANDERE – Vaste bedrading en een afstandsschakelaar. Ze moeten rechtstreeks aan de nettoevoer bedraad worden door een 10A schakelaar die op de muur gemonteerd wordt met minstens 3mm contactafstand.

Afstellingen door de gebruiker

Vooraleer u gaat afstellen, moet u de ventilator helemaal van de netvoeding afsluiten en de onderstaande specificaties controleren om te zien welke kenmerken van toepassing zijn bij uw ventilator.

- Verwijder de schermplaat en plaats deze terug na het afstellen (Fig. **C**).

DX200
Deze ventilator heeft geen afstellingen voor de gebruiker.
DX200T

- De nalooptijd van de timer kan ingesteld worden op ongeveer 30 seconden tot 20 minuten. Draai met een elektricienschroevendraaien schroef "T" (Fig. **D**) rechtsom om de tijd te verhogen en linksom om de tijd te verlagen. (In de fabriek ingesteld op ongeveer 10 minuten).

CF20
<ol style="list-style-type: none">De vochtigheidsstand is regelbaar tussen ongeveer 50% en 90% relatieve vochtigheid. Gebruik een elektricienschroevendraaier om schroef "RH" (Fig. D) rechtsom te draaien om de relatieve vochtigheid te verhogen en linksom om de relatieve vochtigheid te verlagen. (Opmerking: de ventilator is gevoeliger aan 50% RV dan aan 90% en wordt in de fabriek ingesteld op ongeveer 70%).

CF20T
<ol style="list-style-type: none">De nalooptijd kan geregeld worden tussen ongeveer 30 seconden en 20 minuten. Gebruik een elektricienschroevendraaier om schroef "T" (Fig. D) rechtsom te draaien om te tijd te vermeerderen en linksom om de tijd te verminderen. De vochtigheidsstand is regelbaar tussen ongeveer 50% en 90% relatieve vochtigheid. Gebruik een elektricienschroevendraaier om schroef "RH" (Fig. D) rechtsom te draaien om de relatieve vochtigheid te verhogen en linksom om de relatieve vochtigheid te verlagen. (Opmerking: de ventilator is gevoeliger aan 50% RV dan aan 90% en wordt in de fabriek ingesteld op ongeveer 70%).

Het gebruik van de ventilator
DX200
Schakel de ventilator aan en af met de externe aan/uit schakelaar. Herhaal dit om de ventilator uit te schakelen. De ventilatorsnelheid word door de installateur ingesteld op hoog of laag. (Als een aparte schakelaar werd geïnstalleerd kan de gebruiker wisselen tussen hoge en lage snelheid).
DX200T
Herhaal dit om de ventilator uit te schakelen. Als de schakelaar is uitgezet, blijft de ventilator gedurende de ingestelde nalooptijd werken. Het bovenste Licht "T" brandt als de externe aan/uit schakelaar is aangezet. De ventilatorsnelheid wordt vooraf door de installateur ingesteld op hoge, gemiddelde of lage snelheid.

Tijduitstel aan of uit
Dit wordt ingesteld door de installateur om een 2-minuten uitgestelde start te verschaffen wanneer de ventilator aangeschakeld wordt met de externe aan/uit schakelaar.

CF20/CF20T
Bediening met schakelaar <p>De ventilator kan op een afzonderlijke aan/uit schakelaar worden aangesloten. De ventilator draait op condenssnelheid als deze wordt aangeschakeld. Het bovenste "Licht I" gaat branden wanneer de aparte aan/uit schakelaar aangeschakeld is. Als de schakelaar wordt uitgeschakeld, zal de ventilator blijven werken als het vochtigheidsniveau hoger is dat het ingestelde niveau. Alleen bij CF20T: Als de ventilator wordt uitgeschakeld blijft deze gedurende de instelbare nalooptijd draaien aan de condenssnelheid.</p>

Condensbediening. <p>De ventilator draait op de condensregelsnelheid als de relatieve vochtigheid hoger is dan het ingestelde niveau en slaat af als de vochtigheid daalt.</p>
Extra snelheid <p>Als er aan de integrale trekkoord getrokken wordt, gaat de ventilator op hoge snelheid draaien. Het onderste "Licht II" gaat branden wanneer de ventilator op hoge snelheid draait. <p>Opmerking: Als zowel de afzonderlijke aan/uit schakelaar en de integrale trekkoord aan staan, zullen Lichten "I" en "II" gaan branden en zal de ventilator op hoge snelheid draaien.</p></p>

Alleen CF20T
Tijduitstel aan of uit <p>Dit wordt ingesteld door de installateur om een 2-minuten uitgestelde start te verschaffen wanneer de ventilator aangeschakeld wordt met de externe aan/uit schakelaar.</p>

Schoonmaken
Sluit voor het schoonmaken de ventilator af van de netvoeding. <p>Reinig enkel de externe oppervlakken van de ventilator met een vochtig doek zonder pluisjes. <p>Gebruik geen sterke detergents, oplosmiddelen of chemische reinigingsproducten. <p>Zorg ervoor dat de ventilator volledig droog is vooraleer u hem opnieuw gebruikt. <p>Behalve schoonmaken is geen ander onderhoud nodig.</p></p></p></p>
Legenda Zie diagram E
<ol style="list-style-type: none">Schermplaat Bovendeel ventilatorhuis Rotor Bevestigingsschroeven Kapje aansluitblok Ventilatorhuis Ronde luchtinlaat Klemschroeven en muurpluggen – 3 stuks Montageklemmen – 3 stuks Montageplaat Plafondschroeven 25mm lang – 4 stuks (Diagram B) Schuimband

GELIEVE DEZE FOLDER BIJ DE VENTILATOR TE BEWAREN TEN BEHOEVE VAN DE GEBRUIKER.

Χρήση του εξεριστήρα
DX200

Ο εξεριστήρας τίθεται σε λειτουργία χρησιμοποιώντας τον εξωτερικό διακόπτη on/off. Με τον ίδιο τρόπο τον κλείνετε. Η ταχύτητα του εξεριστήρα ρυθμίζεται εκ των προτέρων από το άτομο που κάνει την εγκατάσταση σε υψηλή, μεσαία ή χαμηλή. (Αν εγκατασταθεί εναλλακτικός διακόπτης, τότε ο χρήστης μπορεί επιλέγει ψηλή ή χαμηλή ταχύτητα).

DX200T
Ο εξεριστήρας τίθεται σε λειτουργία χρησιμοποιώντας τον εξωτερικό διακόπτη on/off. Με τον ίδιο τρόπο τον κλείνετε. Όταν κλείνετε τον διακόπτη, ο εξεριστήρας συνεχίζει να λειτουργεί για την περίοδο παράτασης λειτουργίας του χρονορυθμιστή που έχει επιλεγεί. Το πάνω Φωτάκι «I» ανάβει όταν ανοίγετε τον εξωτερικό διακόπτη on/off. Η ταχύτητα του εξεριστήρα ρυθμίζεται εκ των προτέρων από το άτομο που κάνει την εγκατάσταση σε ψηλή ή χαμηλή.

Λειτουργία εκκίνησης με χρονική καθυστέρηση ανοικτή ή κλειστή

Η λειτουργία αυτή ρυθμίζεται από το άτομο που κάνει την εγκατάσταση για να παρέχει εκκίνηση με χρονική καθυστέρηση 2 λεπτών όταν ανοίγετε τον εξεριστήρα χρησιμοποιώντας τον εξωτερικό διακόπτη on/off.

CF20 / CF20T
Λειτουργία με διακόπτη <p>Ο εξεριστήρας μπορεί να καλωδιωθεί με ξεχωριστό διακόπτη on/off. Όταν τίθεται σε λειτουργία, ο εξεριστήρας λειτουργεί με ταχύτητα υγροποίησης. Το πάνω «Φωτάκι I» ανάβει όταν ανοίγετε τον ξεχωριστό διακόπτη on/off. Όταν τον κλείνετε, ο εξεριστήρας θα συνεχίζει να λειτουργεί αν το επίπεδο υγρασίας ξεπερνά το ρυθμισμένο επίπεδο. Για τον CF20T μόνο: Όταν τίθεται σε λειτουργία, ο εξεριστήρας συνεχίζει να λειτουργεί σε ταχύτητα υγροποίησης κατά την περίοδο παράτασης λειτουργίας του ρυθμιζόμενου χρονορυθμιστή.</p>

Λειτουργία Υγροποίησης <p>Ο εξεριστήρας λειτουργεί σε ταχύτητα ελέγχου υγροποίησης, όταν η σχετική υγρασία υπερβαίνει το ρυθμισμένο επίπεδο, και κλείνει όταν η υγρασία κατέρχεται.</p>
--

Ενισχυμένη λειτουργία <p>Ο ενσωματωμένος διακόπτης που λειτουργεί με κορδόνι, θέτει τον εξεριστήρα σε λειτουργία ψηλής ταχύτητας. Το κάτω «Φωτάκι II» ανάβει όταν ο εξεριστήρας λειτουργεί σε ψηλή ταχύτητα. <p>Σημείωση: Αν ο ξεχωριστός διακόπτης on/off και ο ενσωματωμένος διακόπτης με κορδόνι είναι και οι δυο ανοικτοί, τότε τόσο το Φωτάκι «I» όσο και το Φωτάκι «II» θα είναι και τα δυο αναμμένα και ο εξεριστήρας θα λειτουργεί σε ψηλή ταχύτητα.</p></p>

Μόνο για τον CF20T
Λειτουργία εκκίνησης με χρονική καθυστέρηση ανοικτή ή κλειστή <p>Η λειτουργία αυτή ρυθμίζεται από το άτομο που κάνει την εγκατάσταση για να παρέχει εκκίνηση με χρονική καθυστέρηση 2 λεπτών όταν ανοίγετε τον εξεριστήρα χρησιμοποιώντας τον εξωτερικό διακόπτη on/off.</p>

Καθάρισμα
Πριν το καθάρισμα, απομονώνετε τον εξεριστήρα τελειώς από την ηλεκτρική παροχή. <p>Καθαρίζετε μόνο την εξωτερική επιφάνεια του</p>

εξεριστήρα, χρησιμοποιώντας ένα υγρό πανί που δεν έχει χνούδι.

Μη χρησιμοποιείτε ισχυρά απορρυπαντικά, διαλυτικά ή χημικά υλικά καθαρίσματος. Αφήστε τον εξεριστήρα να στεγνώσει καλά πριν τη χρήση. Εκτός από το καθάρισμα, καμιά άλλη συντήρηση δεν απαιτείται.

Υπόμνημα - Βλέπε σχεδιάγραμμα E
<ol style="list-style-type: none">Πλάκα εκτροπής Μπροστινό κάλυμμα Στροφέιο Βίδες στερέωσης Θερματικό κάλυμμα Κιβώτιο εξεριστήρα Κυκλικό βύσμα 3 βίδες σφιχτήρα και υποδοχές βίδων 3 σφιχτères σώματος εξεριστήρα Πλαίσιο 4 βίδες ταβανιού μήκους 25 χλστ. (Σχεδιάγραμμα B) Αφρώδης ταΐνια

ΠΑΡΑΚΑΛΕΙΣΘΕ ΝΑ ΑΦΗΝΕΤΕ ΤΟ ΦΥΛΛΑΔΙΟ ΑΥΤΟ ΜΑΖΙ ΜΕ ΤΟΝ ΕΞΕΡΙΣΤΗΡΑ ΓΙΑ ΝΑ ΤΟ ΣΥΜΒΟΥΛΕΥΕΤΕ Ο ΧΡΗΣΤΗΣ

- Εφαρμόστε το κιβώτιο του εξαεριστήρα **6** στον τοίχο ή το ταβάνι. Βεβαιωθείτε ότι το κυκλικό βύσμα **7** θα μπει στον αγωγό.
- Στερεώστε στον τοίχο το κιβώτιο του εξαεριστήρα **6** χρησιμοποιώντας βίδες **9** ή στο ταβάνι χρησιμοποιώντας κατάλληλους συνδετήρες (που δεν παρέχονται).

Τοποθέτηση σε τοίχο (επίπεδη εγκατάσταση)

Το πλαίσιο **10** δεν απαιτείται. Εφαρμόστε τον αγωγό στο κυκλικό βύσμα **7**.

Αν το μέγεθος της τρύπας είναι το προβλεπόμενο:

- Συναρμολογήστε τους τρεις σφικτήρες από σώματος του εξαεριστήρα **9** στο κιβώτιο του εξαεριστήρα **6** χρησιμοποιώντας βίδες **8**.
- Σχίστε το μονωτικό παρέμβυσμα του καλωδίου. Περάστε τα ηλεκτρικά καλώδια στο κιβώτιο του εξαεριστήρα **6** μέσα από την τρύπα εισόδου καλωδίου και το μονωτικό παρέμβυσμα του καλωδίου.
- Βεβαιωθείτε ότι το μονωτικό παρέμβυσμα του καλωδίου βρίσκεται στη θέση του και είναι σφικτά εφαρμοσμένο.**
- Εφαρμόστε το κιβώτιο του εξαεριστήρα **6** στον τοίχο. Σφίξτε τις τρεις βίδες **9** μέχρι να σπερρωθεί ο εξαεριστήρας στον εσωτερικό τοίχο. Οι σφικτήρες του σώματος του εξαεριστήρα **9** θα περιστραφούν σε μια θέση αυτόματα στοπ. **ΜΗΝ ΤΟ ΣΦΙΓΓΕΤΕ ΥΠΕΡΒΟΛΙΚΑ.**

Αν το μέγεθος της τρύπας είναι μεγαλύτερο από το προβλεπόμενο, δηλαδή μεγαλύτερο από τη φλάντζα στο κιβώτιο του εξαεριστήρα **6 (κυρίως στην περίπτωση εγκαταστάσεων «οπισθίας εφαρμογής» (retro-fit):**

- Οι σφικτήρες του σώματος του εξαεριστήρα ΔΕΝ ΕΙΝΑΙ κατάλληλοι. Κατασκευάστε ένα ξύλινο πλαίσιο ΕΣΩΤΕΡΙΚΩΝ διαστάσεων 203 x 233 χλστ. Το βάθος του πρέπει να είναι τουλάχιστον 50 χλστ. Τοποθετήστε το ξύλινο πλαίσιο μέσα στον εσωτερικό τοίχο και φτιάξτε την τρύπα.
- Εφαρμόστε το κιβώτιο του εξαεριστήρα **6** στον τοίχο.
- Βιδώστε το κιβώτιο του εξαεριστήρα **6** στο ξύλινο πλαίσιο χρησιμοποιώντας τις εγκοπές της φλάντζα (οι βίδες δεν παρέχονται).

Τοποθέτηση σε ταβάνι (επίπεδη εγκατάσταση)

- Το πλαίσιο **10** δεν χρειάζεται.
- Τοποθετήστε το κιβώτιο του εξαεριστήρα **6** μέσα στην τρύπα και σημαδέψτε τέσσερις θέσεις χρησιμοποιώντας τις εγκοπές της φλάντζας **8**.
- Αφαιρέστε το κιβώτιο του εξαεριστήρα **6** από το ταβάνι και τοποθετήστε τα τέσσερα κλιπ ταβανίου **5** (που παρέχονται).
- Ανοίξτε με τρυπάνι 4 ενδοεπικτικές τρύπες μέσα από την τρύπα του κάθε κλιπ, προσέχοντας να μην προκαλέσετε βλάβη στο κλιπ.
- Εφαρμόστε τον αγωγό στο κυκλικό βύσμα **7**.
- Εφαρμόστε το κιβώτιο του εξαεριστήρα **6** στο ταβάνι.
- Σχίστε το μονωτικό παρέμβυσμα του καλωδίου. Περάστε το ηλεκτρικό καλώδιο στο κιβώτιο του εξαεριστήρα **6** μέσα από τη μπροστινή τρύπα εισόδου καλωδίου.
- Βεβαιωθείτε ότι το μονωτικό παρέμβυσμα του καλωδίου βρίσκεται στη θέση του και είναι σφικτά εφαρμοσμένο.** Χρησιμοποιώντας τις βίδες **11** (Σχ. **Ε**), στερεώστε τη φλάντζα του κιβωτίου του εξαεριστήρα στα κλιπ του ταβανίου.

Τερματισμός του αγωγού

Τοποθετήστε ένα εξωτερικό κικκλίδωμα (όπως το μη παρεχόμενο CFWG100, δεν παρέχεται στο DX200/DX200T). Για εγκατάσταση σε ταβάνι, χρησιμοποιήστε κατάλληλα συμπληρωματικά (που δεν παρέχονται).

Καλωδίωση των ηλεκτρικών συνδέσεων

ΠΡΟΕΙΔΟΠΟΙΗΣΗ! Η ΣΥΣΚΕΥΗ ΑΥΤΗ ΠΡΕΠΕΙ ΝΑ ΓΕΙΩΝΕΤΑΙ.

- Απομονώστε την ηλεκτρική παροχή και αφαιρέστε όλες τις ασφάλειες. Το τερματικό μπλοκ δέχεται καλώδιο μέχρι και 1,5 χλστ².**
- Στη σταθερή καλωδίωση πρέπει να ενσωματώνεται ο' όλους τους πόλους μέσο αποσυνδέσης, σύμφωνα με τους κανονισμούς καλωδίωσης.
- Χρησιμοποιήστε κατάλληλα διαβαθμισμένο καλώδιο 3 ή 4 πυρήνων ανάλογα με την εφαρμογή.
- Αφαιρέστε τις βίδες συγκράτησης του τερματικού καλύμματος αν βρίσκονται ακόμα στις θέσεις τους.

- Καλωδίωσε τον εξαεριστήρα όπως φαίνεται στο **F**, χρησιμοποιώντας τον παρεχόμενο σφικτήρα καλωδίου. Ελέγξτε το μοντέλο του εξαεριστήρα στο διάγραμμα. **DX200:** «LH» = Ηλεκτροφόρο (Ψηλή ταχύτητα) «LL» = Ηλεκτροφόρο (Χαμηλή ταχύτητα)
- Επανατοποθετήστε το τερματικό κάλυμμα **6** και σφίξτε τις βίδες συγκράτησης.
- Διαβάστε το μέρος «Ρυθμίσεις από τον χρήστη» αν θέλετε να χρησιμοποιήσετε ρυθμίσεις άλλες από αυτές που έχουν γίνει από το εργοστάσιο.
- Επανατοποθετήστε το μπροστινό κάλυμμα (Σχ. **Γ**).
- Συνδέστε το καλώδιο από τον απομονωτικό διακόπτη προς την καλωδίωση της ηλεκτρικής παροχής και ελέγξτε ξανά την εγκατάσταση.
- Επανατοποθετήστε τις ασφάλειες πριν ανοίξετε την ηλεκτρική παροχή.
- Για κυκλώματα σταθερής καλωδίωσης, η προστατευτική ασφάλεια της συσκευής δεν πρέπει να υπερβαίνει τα 5Α.

Μόνο για την Αυστραλία

CF20 - Σύνδεση στην παροχή - εύκαμπτο καλώδιο 3 πυρήνων με πρίζα 3 προεξοχών για εισαγωγή σε εγκεκριμένο διακόπτη των 10Α για εγκατάσταση σε επιφάνεια τοίχου, με κενό μεταξύ των επαφών τουλάχιστον 3 χλστ.

ΟΛΟΙ ΟΙ ΑΛΛΟΙ - Είναι μόνιμα συνδεδεμένοι στην παροχή και η λειτουργία ελέγχεται με τηλεδιακόπτη. Πρέπει να καλωδιώνονται άμεσα στην παροχή μέσω εγκεκριμένου διακόπτη των 10Α για εγκατάσταση σε επιφάνεια τοίχου, με κενό μεταξύ των επαφών τουλάχιστον 3 χλστ.

Ρυθμίσεις από τον χρήστη

Πριν κάνετε οποιαδήποτε ρυθμίσεις, απομονώστε τον εξαεριστήρα τελείως από την ηλεκτρική παροχή και ελέγξτε την προδιαγραφή πιο κάτω για να δείτε ποιά χαρακτηριστικά ισχύουν στην περίπτωση του εξαεριστήρα σας.

- Αφαιρέστε το μπροστινό κάλυμμα και επανατοποθετήστε το μετά τη ρύθμιση (Σχ. **Γ**).

DX200

Δεν υπάρχουν ρυθμίσεις που γίνονται από τον χρήστη' αυτό τον εξαεριστήρα.

DX200T

- Η περίοδος παράτασης λειτουργίας του χρονορυθμιστή μπορεί να ρυθμιστεί μεταξύ περίπου 30 δευτερολέπτων και 20 λεπτών. Χρησιμοποιήστε κατασβίδι ηλεκτρολόγου και γυρίστε τη βίδα «T» (Σχ. **Δ**) σύμφωνα με τη φορά του ρολογιού για να αυξήσετε τον χρόνο ή αντίθετα προς τη φορά του ρολογιού για να μειώσετε. (Είναι ρυθμιζόμενος από το εργοστάσιο περίπου στα 10 λεπτά).

CF20

- Η ρύθμιση της υγρασίας είναι δεκτική ρύθμισης σε σχετική υγρασία μεταξύ περίπου 50% και 90%. Χρησιμοποιήστε κατασβίδι ηλεκτρολόγου και γυρίστε τη βίδα «RH» (Σχ. **Δ**) σύμφωνα με τη φορά του ρολογιού για να αυξήσετε τη σχετική υγρασία ή αντίθετα προς τη φορά του ρολογιού για τη μείωση. (Σημείωση: Ο εξαεριστήρας είναι πιο ευαίσθητος σε σχετική υγρασία 50% παρά 90% και είναι ρυθμιζόμενος από το εργοστάσιο περίπου στο 70%).

CF20T

- Η περίοδος παράτασης λειτουργίας του χρονορυθμιστή μπορεί να ρυθμιστεί μεταξύ περίπου 30 δευτερολέπτων και 20 λεπτών. Χρησιμοποιήστε κατασβίδι ηλεκτρολόγου και γυρίστε τη βίδα «T» (Σχ. **Δ**) σύμφωνα με τη φορά του ρολογιού για να αυξήσετε τον χρόνο ή αντίθετα προς τη φορά του ρολογιού για τον μείωση.
- Η ρύθμιση της υγρασίας είναι δεκτική ρύθμισης σε σχετική υγρασία μεταξύ περίπου 50% και 90%. Χρησιμοποιήστε κατασβίδι ηλεκτρολόγου και γυρίστε τη βίδα «RH» (Σχ. **Δ**) σύμφωνα με τη φορά του ρολογιού για να αυξήσετε τη σχετική υγρασία ή αντίθετα προς τη φορά του ρολογιού για τη μείωση. (Σημείωση: Ο εξαεριστήρας είναι πιο ευαίσθητος σε σχετική υγρασία 50% παρά 90%).

VIKTIG

- LES ALLE DISSE INSTRUKSJONENE OG ADVARSLERNE NØYE FØR DU SETTER I GANG MED INSTALLASJONEN.
- INSTALLASJONER OG LEDNINGER MÅ VÆRE I SAMSVAR MED GJELDENE IEE-FORSKRIFTER (STORBRIANNIA), LOKALE/GJELDENE FORSKRIFTER (ANDRE LAND). DET ER INSTALLATØRENS ANSVAR Å SØRGE FOR AT AKTUELLE BYGNINGSSTANDARDER BLIR FULGT.
- EN KVALIFISERT ELEKTRIKER MÅ HA OPPSYN MED ALLE INSTALLASJONER.
- DETTE UTSTYRET SKAL KOPLES TIL ET FAST LEDNINGSNETT.
- KONTROLLER AT DEN ELEKTRISKE MERKINGEN PÅ VIFTEN STEMMER OVERENS MED STRØMNETTET.
- ADVARSEL: DETTE UTSTYRET MÅ JORDES.**
- IKKE PLASSER I NÆRHETEN AV DIREKTE VARMEKILDER (F.EKS. GASSKOMFYRER ELLER GRILLER I ØYENHØYDE) ELLER PÅ STEDER HVOR ROMTEMPERATUREN KAN OVERSTIGE 50 °C.
- NÅR VIFTEN ER INSTALLERT I ET ROM MED BRENSLAPPARAT, MÅ DET TAS FORHOLDSREGLER FOR Å UNNGÅ AT GASSER FRA DET ÅPNE AVTREKKET PÅ BRENSLAPPARATET KAN STRØMME TILBAKE I ROMMET.
- PÅSE AT ALLE RELEVANTE SIKKERHETSFORANSTALTNINGER (KORREKT ØYEBESKYTTELSE, VERNEKLÆR OSV) FØLGES NÅR DENNE VIFTEN INSTALLERES, BRUKES OG VEDLIKEHOLDES.
- FOR GENERELL VEILEDNING OM PLASSERING AV VIFTEN, SE "FIG G". PLASSER ALLTID VIFTEN SÅ HØYT SOM MULIG.
- HVIS NOEN DEL AV LUFTEKANALSYSTEMET ER PLASSET HØYERE ENN VIFTEN, MÅ EN KONDENSFELLE (AXT100) MONTERES SÅ NÆR VIFTEN SOM MULIG.
- DETTE UTSTYRET ER IKKE BEREGNET TIL BRUK AV PERSONER (DERIBLANT BARN OG SVAKELIGE) MED NEDSATTE FYSISKE, FØLINGS- ELLER PSYKISKE EVNER, ELLER SOM IKKE KLARER ELLER FORSTÅR, MED MINDRE DE HAR FÅTT TILSYN ELLER VEILEDNING ANGANDE BRUK AV APPARATET AV EN PERSON SOM ER ANSVARLIG FOR DERES SIKKERHET. BARN SKAL HOLDES UNDER OPPSYN FOR Å FORSIKRE AT DE IKKE LEKER MED APPARATET.

For å forenkle installasjonen og spare tid, kan det være at din installasjon krever noe av tilbehøret som er listet opp under "Tilbehør".

Hvis viften installeres på en vegg (påvegg-montasje)

- Marker rørkanalets senter **A** på veggen.
- Bruk senterpunktet til å skjære ut en åpning gjennom veggen, 117 mm diameter, med svakt fall mot utsiden.
- Monter inn veggjenomføringer (WD100) (medfølger ikke) og en ramme.

Hvis viften installeres på en vegg (innfelt montasje)

- Marker rørkanalets senter **A** på veggen, og bor et pilothull gjennom begge veggene.
- Bruk senterpunktet til å merke et rektangulært hull med dimensjonene **A** for den innvendige veggen.
- Skjær det rektangulære hullet i den innvendige veggen.
- Gå på utsiden og skjær et hull med 117 mm i diameter i den utvendige veggen med det lille hullet som senter.
- Mål veggtykkelsen. Mål veggjenomføringen (WD100) (medfølger ikke) slik at den er 64 mm kortere enn veggtykkelsen.

Hvis viften installeres i en himling (påvegg-montasje)

Denne metoden forutsetter plass over himlingen, slik som et loft eller loftsrom, for å gi tilgang for en rørkanel med 100 mm innvendig diameter.

- Marker rørkanalets senter **A** i himlingen, og sorg for å unngå takbjelker og skjult ledningsnett osv.
- Skjær et hull med 117 mm diameter og med markeringen som senter.

Hvis viften installeres i en himling (innfelt montasje)

For rørkanel med 100 mm diameter:

- Marker et rektangulært hull med dimensjonene **B**.
 - Skjær ut hullet og sorg for å unngå takbjelker og skjult ledningsnett osv.
- For rørkanel i plan:
- Denne viften kan installeres innenfor en 47 mm åpning uten bruk av den runde muffen **7** (Fig. **E**). Et utstyrssett med plant kanaladapter (FDA) er tilgjengelig.

Forberedelse av viften for installasjon

- Fjern frontdekselet **2** (Fig. **C**)
- Fjern den medfølgende skumgummi-tapen **10** rundt den runde muffen **7** (Fig. **E**).
- Fjern dekelet for tilkoplingen **9** (Fig. **E**). For å lette tilgangen kan viftehjulet om nødvendig tas.

Innstilling av viftehastigheten

- Kun DX200T / CF20 / CF20T (Fig. **D**)**
- Korrekt kondenseringshastighet (CF20 / CF20T) eller driftshastigheten (DX200T) bør velges ulfra rømmets størrelse. Sett trykkeren **X** til ønsket posisjon. Fra fabrikk er viften innstilt på "posisjon 2".
 - Bryterposisjon
 - Store (34 eller mer)
 - Midt (28 – 34)
 - Lite (mindre enn 28)

Innstilling av vannfordampningshastigheten

Kun DX200T / CF20 / CF20T (Fig. **D)**

- Viften kan innstilles slik at den sørger for konstant vannfordampning. Sett bryteren **Y** til ønsket posisjon. Fra fabrikk er viften innstilt på "posisjon 0".
- Bryterposisjon
- Innstilling
- Vannfordampning AV
- Vannfordampning PÅ

Innstilling av starttidsforsinkelse

Kun DX200T / CF20T (Fig. **D)**

- Viften kan innstilles slik at det er en 2-minutters forsinket start når den betjenes via en ekstern på/av-bryter. Sett bryteren **Z** til ønsket posisjon. Fra fabrikk er viften innstilt på "posisjon 0".
- Bryterposisjon
- Innstilling
- Starttidsforsinkelse AV
- Starttidsforsinkelse PÅ

Montering av viften på vegg eller i himling (påvegg-montasje)

- Plasser rørkanalet inn i hullet og rett den inn til korrekt posisjon. Ved veggmontering må det påses at rørkanalet skråner nedover og vekk fra viften.
- Marker posisjonene for de tre festehullene **A** i vifteboksen **6** (Fig. **E**).
- Ved veggmontering bores tre hull med 5,5 mm i diameter for pluggen (medfølger). Ved takmontering **B** brukes passende festeelementer (medfølger ikke).
- Skjær hull i gummitetningen. Skyv innfatningen **10** over ventilboksen **6**. For de elektriske kablene inn i vifteboksen 6 gjennom det bakre kabelgjennomføringshullet og innfatning, og sett gummitetningen på igjen.
- Forsikre deg om at gummitetningen er på plass og sitter godt.**
- Anbring vifteboksen **6** på veggen eller i taket. Forsikre deg om at den runde muffen **7** entrør rørkanalet.
- Fest vifteboksen **6** på veggen ved hjelp av skruene **9** eller i taket ved hjelp av passende festeelementer (medfølger ikke).

Hvis viften monteres i en vegg (innfelt montasje)

Innfatningen **10** er ikke nødvendig. Monter rørkanalet til den runde muffen **7**.

Hvis hullet har anbefalt dimensjon:

- Monter de tre klemmene **9** for viftehuset på vifteboksen **6** ved hjelp av skruene **9**.
- Skjær hull i gummitetningen. For de elektriske kablene inn i vifteboksen **6** gjennom kabelgjennomføringshullet og gummitetningen.
- Forsikre deg om at gummitetningen er på plass og sitter godt.**
- Anbring vifteboksen **6** på veggen.
- Trek til de tre skruene **9** inntil viften er spent fast til innerveggen. Klemmene **9** for viftehuset vil rotere til et automatisk stoppunkt. **IKKE TREKK TIL FOR HARDT.**

Hvis hullet ullet har større dimensjon enn anbefalt, dvs.: er større enn flensen på vifteboksen 6 (generelt ved installasjon modifiseringer):

- Klemmene for viftehuset er IKKE egnet. Konstruer en treramme med INNVEDIG dimensjon: 203 x 233 mm. Dybden bør være minimum 50 mm. Monter trerammen inn i innerveggen og tilpass hullet.

- Anbring vifteboksen **6** på veggen.
- Skru vifteboksen **6** til terammen ved å bruke slissene i flensen (skruer medfølger ikke).

Hvis viften monteres i en himling (innfelt montasje)

- Innfatningen **10** er ikke nødvendig.
- Før vifteboksen **6** inn i hullet og marker fire posisjoner ved hjelp av slissene i flensen **B**.
- Fjern vifteboksen **6** fra himlingen og fest de fire tak-klipsene (medfølger) over hullkantene slik at klipsene er innrettet med merkene **B** i himlingen.
- Bor 4 pilot hull i himlingen gjennom hullet i hvert av klipsene uten å skade klipsene.
- Monter rørkanalet til den runde muffen **7**.
- Anbring vifteboksen **6** i himlingen.
- Skjær hull i gummitelningen. For den elektriske kabelaen inn i vifteboksen **6** gjennom det fremre kabelgjennomføringshullet.
Forsikre deg om at gummitelningen er på plass og sitter godt.
- Bruk skruene **10** (Fig. **B**) og fest flensen på vifteboksen til tak-klipsene.

Avslutt rørkanalet.

Monter et utvendig gitter, slik som CFWG100 (medfølger ikke for DX200/DX200T), på ytterveggen. For montering i himling brukes passende tilbehør (medfølger ikke).

Kople til de elektriske forbindelsene.

ADVARSSEL! DETTE APPARATET MÅ JORDES.

- Isoler strømforsyningen og ta ut alle sikringer.
Terminalklemmene tar kabeldimensjoner på opptil 1,5 mm².
- En måte å frakoble alle poler må innlemmes i det faste ledningsnett i samsvar med koplingsforskriftene.
- Bruk 3- eller 4-leder kabel med egen kapasitet, avhengig av installasjonen.
- Skru eventuelt ut de to holdeskruene på terminaldekselet.
- Kople viften som vist i diagrammet **F** ved bruk av medfølgende kabelklemme. Se diagrammet for den aktuelle viftemodellen.
DX200: "LH" = roterende (høy hastighet) / "LL" = roterende (lav hastighet)
- Monter terminaldekselet **5** på igjen og trekk til holdeskruene.
- Se avsnittet om "Brukerjusteringer" hvis du ønsker å endre innstillingene som er satt fra fabrikk.
- Monter frontdekselet på igjen (Fig. **C**).
- Kople til kabelaen fra skillebryteren til ledningsnett, og kontroller installasjonen på nytt.
- Sett sikringene inn igjen for du slår på strømmen.
- For fast elektrisk installasjon skal sikringene for apparatets kurs ikke overskride 5 A.

Kun for Australia

CF20 : Tilkopling til strømforsyning – fleksibel 3-leder kabel med 3-pinns plugglopp for innsetting i en godkjent 10 A påvegg-kontaktbryter med minimum 3 mm kontaktdrøpning.

ALLE ANDRE : Permanent tilkopling til strømforsyningen og en ekstern bryter. Viften skal ha direkte kabling til strømforsyningen via en godkjent 10 A påvegg-kontaktbryter med minimum 3 mm kontaktdrøpning.

Brukerjusteringer

For du foretar eventuelle justeringer, skal viften isoleres fullstendig fra strømforsyningen. Se etterfølgende spesifikasjoner for å kontrollere hvilke egenskaper som gjelder din vifte.

- Fjern frontdekselet og monter det på igjen etter fullført justering (Fig. **C**).

DX200

Ingen justeringer kan foretas av brukeren for denne viften.

DX200T

- Perioden for stoppforsinkelse kan justeres mellom ca. 30 sekunder og 20 minutter. Bruk en elektrikerskruetrekker og vri skruen "T" (Fig. **D**) med urviserne for å øke tiden, eller mot urviserne for å redusere tiden. (Innstilling fra fabrikk er ca. 10 minutter)

CF20

- Innstillingen for fuktighet kan justeres mellom ca. 50% og 90% relativ fuktighet. Bruk en elektrikerskruetrekker og vri skruen "RH" (Fig. **D**) med urviserne for å øke innstillingen for relativ fuktighet, eller mot urviserne for å redusere den. (Merk: viften er mer følsom ved 50% relativ fuktighet enn ved 90%. Innstilling fra fabrikk er ca. 70%).

CF20T

- Perioden for stoppforsinkelse kan justeres mellom ca. 30 sekunder og 20 minutter. Bruk en elektrikerskruetrekker og vri skruen "T" (Fig. **D**) med urviserne for å øke tiden, eller mot urviserne for å redusere tiden.

- Innstillingen for fuktighet kan justeres mellom ca. 50% og 90% relativ fuktighet. Bruk en elektrikerskruetrekker og vri skruen "RH" (Fig. **D**) med urviserne for å øke innstillingen for relativ fuktighet, eller mot urviserne for å redusere den. (Merk: viften er mer følsom ved 50% relativ fuktighet enn ved 90%).

Bruk av viften

DX200

Slå på viften ved hjelp av den eksterne på/av-bryteren. Trykk på bryteren en gang til for å slå den av.
Viftehastigheten er av installatøren forhåndsinnstilt på enten høy, medium eller lav hastighet. (Dersom det er installert en vender, kan brukeren veksle mellom høy og lav hastighet.)

DX200T

Slå på viften ved hjelp av den eksterne på/av-bryteren. Trykk på bryteren en gang til for å slå den av.
Når bryteren slås av, fortsetter viften å gå i den innstilte perioden for stoppforsinkelse. Øvre indikator "I" lyser når den eksterne på/av-bryteren er slått på.
Viftehastigheten er av installatøren forhåndsinnstilt på enten høy, medium eller lav hastighet.

Starttidsporsinkelse på eller av

Denne er satt av installatøren for å gi en 2-minutters forsinket start når viften slås på ved hjelp av den eksterne på/av-bryteren.

CF20 / CF20T

Valgfri drift

Viften kan tilkoples en separat på/av-bryter. Viften går med kondenseringshastighet når bryteren er slått på. Øvre indikator "I" lyser når den separate på/av-bryteren er slått på. Når den er slått av, vil viften fortsette å gå dersom fuktigheten overskrider det fastsatte nivået. Kun CF20T: Når bryteren er slått av, fortsetter viften å gå med kondenseringshastighet i den innstilte perioden for stoppforsinkelse.

Kondenseringsdrift

Viften gåt med kondenseringshastighet når den relative fuktigheten overskrider det fastsatte nivået, og slår seg deretter av når fuktigheten er redusert.

Forsterkningsdrift

Den innebygde snorbryteren slår viften på slik at den går med høy hastighet. Nedre indikator "II" lyser når viften går med høy hastighet.
Merk: Hvis både den separate på/av-bryteren og den innebygde snorbryteren er på, vil både øvre og nedre indikatorer "I" og "II" lyse, og viften vil gå med høy hastighet.

Kun CF20T

Starttidsporsinkelse på eller av

Denne er satt av installatøren for å gi en 2-minutters forsinket start når viften slås på ved hjelp av en separat på/av-bryter.

Rengjøring

For du rengjør viften, skal den isoleres fullstendig fra strømforsyningen. Viften skal kun rengjøres utvendig med bruk av en fuktig, løfri klut. Ikke bruk sterke vaskemidler, løsningsmidler eller kjemiske rensmidler. La viften tørke fullstendig før du tar den i bruk.
Bortsett fra rengjøring, er det ikke nødvendig med noe annet vedlikehold.

Tegnforklaring, se diagram **E**

- | | |
|---------------------|--|
| 1. Mottrykksplate | 7. Rund mufte |
| 2. Frontdeksel | 8. Klemmeskruer og veggplugg - 3 |
| 3. Viftehjul | 9. for viftehus – 3 |
| 4. Festeskruer | 10. Innfatning |
| 5. Terminaldekselet | 11. Taksruer 25 mm lange 4 (Diagram B) |
| 6. Vifteboks | 12. Skumgummi-tape |

OPPBEVAR DENNE TRYKKSÅKEN SAMMEN MED VIFTEN SLIK AT DEN ER TILGJENGELIG FOR BRUKEREN



- ΣΗΜΑΝΤΙΚΟ**
- ΔΙΑΒΑΣΤΕ ΚΑΛΑ ΟΛΕΣ ΤΙΣ ΟΔΗΓΙΕΣ & ΠΡΟΕΙΔΟΠΟΙΗΣΕΙΣ ΠΡΙΝ ΑΡΧΙΣΕΤΕ ΤΗΝ ΕΓΚΑΤΑΣΤΑΣΗ.
 - ΟΙ ΕΓΚΑΤΑΣΤΑΣΕΙΣ ΚΑΙ Η ΚΑΛΩΔΙΩΣΗ ΠΡΕΠΕΙ ΝΑ ΣΥΜΜΟΡΦΩΝΟΝΤΑΙ ΠΡΟΣ ΤΟΥΣ ΤΡΕΧΟΝΤΕΣ ΚΑΝΟΝΙΣΜΟΥΣ ΤΟΥ ΙΕΕ (ΣΤΟ ΗΝΩΜΕΝΟ ΒΑΣΙΛΕΙΟ) ΚΑΙ ΤΟΥΣ ΚΑΤΑ ΤΟΠΟΥΣ Η ΣΧΕΤΙΚΟΥΣ ΚΑΝΟΝΙΣΜΟΥΣ (ΣΕ ΆΛΛΕΣ ΧΩΡΕΣ). ΑΠΟΤΕΛΕΙ ΕΥΘΥΝΗ ΤΟΥ ΑΤΟΜΟΥ ΠΟΥ ΚΑΝΕΙ ΤΗΝ ΕΓΚΑΤΑΣΤΑΣΗ ΝΑ ΔΙΑΣΦΑΛΙΣΕΙ ΟΤΙ ΤΗΡΟΥΝΤΑΙ ΟΙ ΣΧΕΤΙΚΟΙ ΟΙΚΟΔΟΜΙΚΟΙ ΔΕΟΝΤΟΛΟΓΙΚΟΙ ΚΩΔΙΚΕΣ.
 - ΕΙΔΙΚΕΥΜΕΝΟΣ ΗΛΕΚΤΡΟΛΟΓΟΣ ΠΡΕΠΕΙ ΝΑ ΕΠΙΒΛΕΠΕΙ ΟΛΕΣ ΤΙΣ ΕΓΚΑΤΑΣΤΑΣΕΙΣ.
 - ΟΙ ΨΥΚΕΥΕΣ ΑΥΤΕΣ ΠΡΟΟΡΙΖΟΝΤΑΙ ΓΙΑ ΣΥΝΔΕΣΗ ΣΕ ΣΤΑΘΕΡΗ ΚΑΛΩΔΙΩΣΗ.
 - ΒΕΒΑΙΩΘΕΙΤΕ ΟΤΙ Η ΗΛΕΚΤΡΙΚΗ ΔΙΑΒΑΘΜΙΣΗ ΠΟΥ ΑΝΑΓΡΑΦΕΤΕ ΣΤΟΝ ΕΞΑΕΡΙΣΤΗΡΑ ΑΝΤΑΓΟΚΡΙΝΕΤΑΙ ΠΡΟΣ ΤΗΝ ΗΛΕΚΤΡΙΚΗ ΠΑΡΟΧΗ.
 - ΠΡΟΕΙΔΟΠΟΙΗΣΗ: ΟΙ ΨΥΚΕΥΕΣ ΑΥΤΕΣ ΠΡΕΠΕΙ ΝΑ ΓΕΙΩΝΟΝΤΑΙ.**
 - ΝΑ ΤΟΠΟΘΕΤΟΥΝΤΑΙ ΜΑΚΡΙΑ ΑΠΟ ΑΜΕΣΕΣ ΠΗΓΕΣ ΘΕΡΜΟΤΗΤΑΣ (Π.Χ. ΚΟΥΖΙΝΕΣ ΓΚΑΖΙΟΥ Η ΣΧΑΡΕΣ ΕΠΙΠΕΔΟΥ ΜΑΤΙΩΝ) ΚΑΙ ΟΧΙ ΣΕ ΧΩΡΟΥΣ ΟΠΟΥ ΟΙ ΠΕΡΙΒΑΛΟΝΤΙΚΕΣ ΘΕΡΜΟΚΡΑΣΙΕΣ ΜΠΟΡΕΙ ΝΑ ΥΠΕΡΒΑΛΟΥΝ ΤΟΥΣ 50°C.
 - ΟΤΑΝ Η ΕΓΚΑΤΑΣΤΑΣΗ ΤΟΥ ΕΞΑΕΡΙΣΤΗΡΑ ΓΙΝΕΤΑΙ ΣΕ ΔΩΜΑΤΙΟ ΟΠΟΥ ΥΠΑΡΧΕΙ ΨΥΚΕΥΣΗ ΠΟΥ ΛΕΙΤΟΥΡΓΕΙ ΜΕ ΚΑΥΣΙΜΟ, ΠΡΕΠΕΙ ΝΑ ΛΑΜΒΑΝΟΝΤΑΙ ΠΡΟΦΥΛΑΚΤΙΚΑ ΜΕΤΡΑ ΓΙΑ ΝΑ ΑΠΟΦΥΕΤΑΙ Η ΕΠΙΣΤΡΟΦΗ ΑΕΡΙΩΝ ΜΕΣΑ ΣΤΟ ΔΩΜΑΤΙΟ ΑΠΟ ΤΟΝ ΑΝΟΙΚΤΟ ΚΑΠΝΑΓΩΓΟ ΤΗΣ ΨΥΚΕΥΣΗΣ ΠΟΥ ΚΑΙΕΙ ΚΑΥΣΙΜΟ.
 - ΒΕΒΑΙΩΘΕΙΤΕ ΟΤΙ ΚΑΤΑ ΤΗΝ ΕΓΚΑΤΑΣΤΑΣΗ, ΛΕΙΤΟΥΡΓΙΑ ΚΑΙ ΣΥΝΤΗΡΗΣΗ ΤΟΥ ΕΞΑΕΡΙΣΤΗΡΑ, ΛΑΜΒΑΝΟΝΤΑΙ ΟΛΕΣ ΟΙ ΣΧΕΤΙΚΕΣ ΠΡΟΦΥΛΑΞΕΙΣ ΑΣΦΑΛΕΙΑΣ (ΚΑΤ'ΑΛΛΗΛΗΝ ΠΡΟΣΤΑΣΙΑ ΜΑΤΙΩΝ, ΠΡΟΣΤΑΤΕΥΤΙΚΑ ΡΟΥΧΑ ΚΛΠ).
 - ΓΙΑ ΓΕΝΙΚΕΣ ΟΔΗΓΙΕΣ ΣΧΕΤΙΚΑ ΜΕ ΤΟΝ ΧΩΡΟ ΤΟΠΟΘΕΤΗΣΗΣ ΤΟΥ ΕΞΑΕΡΙΣΤΗΡΑ, ΔΕΙΤΕ «ΣΧ. G». ΠΑΝΤΑ ΤΟΠΟΘΕΤΕΙΤΕ ΤΟΝ ΕΞΑΕΡΙΣΤΗΡΑ ΟΣΟ ΤΟ ΔΥΝΑΤΟ ΠΙΟ ΎψΗΛΑ.
 - ΑΝ ΚΑΝΕΝΑ ΤΙΜΩΝ ΥΠΟΥΧΟΥ ΠΡΟΚΕΙΤΑΙ ΝΑ ΤΟΠΟΘΕΤΗΘΕΙ ΎψΗΛΟΤΕΡΑ ΑΠΟ ΤΟΝ ΕΞΑΕΡΙΣΤΗΡΑ, ΠΡΕΠΕΙ ΝΑ ΤΟΠΟΘΕΤΕΙΤΑΙ ΚΑΙ ΑΤΜΟΠΑΓΙΔΑ (ΧΣΤ100) ΟΣΟ ΤΟ ΔΥΝΑΤΟ ΠΙΟ ΚΟΝΤΑ ΣΤΟΝ ΕΞΑΕΡΙΣΤΗΡΑ.
 - Η ΨΥΚΕΥΗ ΑΥΤΗ ΔΕΝ ΠΡΟΟΡΙΖΕΤΑΙ ΓΙΑ ΧΡΗΣΗ ΑΠΟ ΠΡΟΣΩΠΑ (ΠΕΡΙΛΑΜΒΑΝΟΜΕΝΟΝ ΠΑΙΔΙΩΝ ΚΑΙ ΑΔΥΝΑΜΩΝ) ΜΕ ΜΕΙΩΜΕΝΗ ΣΩΜΑΤΙΚΗ ΔΥΝΑΜΗ ΚΑΙ/Η ΜΕΙΩΜΕΝΕΣ ΑΙΣΘΗΤΗΡΙΑΚΕΣ Η ΔΙΑΝΟΗΤΙΚΕΣ ΙΚΑΝΟΤΗΤΕΣ Η ΕΛΛΕΙΨΗ ΠΕΙΡΑΣ ΚΑΙ ΓΝΩΣΗΣ, ΕΚΤΟΣ ΚΙ ΑΝ ΒΡΙΣΚΟΝΤΑΙ ΚΑΤΩ ΑΠΟ ΕΠΙΒΛΕΨΗ Η ΤΟΥΣ ΠΑΡΕΧΟΝΤΑΙ ΟΔΗΓΙΕΣ ΣΧΕΤΙΚΑ ΜΕ ΤΗ ΧΡΗΣΗ ΤΗΣ ΨΥΚΕΥΣΗΣ ΑΠΟ ΠΡΟΣΩΠΟ ΠΟΥ ΕΙΝΑΙ ΎΠΕΥΘΥΝΟ ΓΙΑ ΤΗΝ ΑΣΦΑΛΕΙΑ ΤΟΥΣ. ΤΑ ΠΑΙΔΙΑ ΠΡΕΠΕΙ ΝΑ ΒΡΙΣΚΟΝΤΑΙ ΚΑΤΩ ΑΠΟ ΕΠΙΒΛΕΨΗ ΓΙΑ ΝΑ ΔΙΑΣΦΑΛΙΖΕΤΑΙ ΟΤΙ ΔΕΝ ΠΑΙΖΟΥΝ ΜΕ ΤΗ ΨΥΚΕΥΗ.

Για γρήγορη και εύκολη εγκατάσταση, η εγκατάσταση σας μπορεί να χρειαστεί μερικά από τα Συμπληρωματικά που αναφέρονται στις «Συμπληρωματικές Επιλογές».

Εγκατάσταση σε τοίχο (εγκατάσταση επιφανείας)

- Σημαδέψτε στον τοίχο το κέντρο της τρύπας του αγωγού **A**.
- Χρησιμοποιήστε το κέντρο αυτό για να κόψετε στον τοίχο ένα άνοιγμα διαμέτρου 117 χλστ., με ελαφρή καθοδική κλίση προς το εξωτερικό.
- Τοποθετήστε τον αγωγό τοίχου (WD100), που δεν παρέχεται, μαζί με κονίαμα, στην κατάλληλη θέση.

Εγκατάσταση σε τοίχο (επίπεδη εγκατάσταση)

- Σημαδέψτε στον τοίχο το κέντρο της τρύπας του αγωγού **A**, και ανοίξτε με βρυπάνι μια μικρή ενδεικτική τρύπα μέσα κι απ' τους δυο τοίχους.
- Χρησιμοποιήστε το κέντρο για να σημαδέψετε μια ορθογώνια τρύπα στον εσωτερικό τοίχο χρησιμοποιώντας τις διαστάσεις **A**.
- Κόψτε την ορθογώνια τρύπα μέσα από τον εσωτερικό τοίχο.
- Πηγαίνετε έξω και κόψτε μια τρύπα διαμέτρου 117 χλστ. στον εξωτερικό τοίχο χρησιμοποιώντας τη μικρή τρύπα σαν κέντρο.
- Μετρήστε το πάχος του τοίχου.
Κόψτε τον αγωγό τοίχου (WD100), που δεν παρέχεται, έτσι που να είναι 64 χλστ. μικρότερος από το πάχος του τοίχου.

Εγκατάσταση σε ταβάνι (εγκατάσταση επιφανείας)

Η μέθοδος αυτή απαιτεί χώρο πάνω από το ταβάνι όπως, για παράδειγμα, πατάρι ή σοφίτα, που να παρέχει πρόσβαση για αγωγό εσωτερικής διαμέτρου 100 χλστ.

- Σημαδέψτε στο ταβάνι το κέντρο της τρύπας του αγωγού **A**, αποφεύγοντας τα πατόξυλα του ταβανιού, τα καλυμμένα καλώδια κλπ.
- Κόψτε τρύπα διαμέτρου 117 χλστ. χρησιμοποιώντας το κέντρο που έχετε σημαδέψει.

Εγκατάσταση σε ταβάνι (επίπεδη εγκατάσταση)

Για αγωγό διαμέτρου 100 χλστ.:

- Σημαδέψτε ορθογώνια τρύπα χρησιμοποιώντας τις διαστάσεις **B**.
 - Κόψτε την τρύπα, αποφεύγοντας τα πατόξυλα του ταβανιού, τα καλυμμένα καλώδια κλπ.
- Πα επίπεδο αγωγό:
- Ο εξεριστήρας αυτός μπορεί να εγκατασταθεί σε κενό 47 χλστ. χωρίς το κυκλικό βύσμα **7** (Σχ. **E**). Διατίθεται σύνολο προσαρμογέα επίπεδου αγωγού (FDA).

Προετοιμασία του εξεριστήρα για εγκατάσταση

- Αφαιρέστε το μπροστινό κάλυμμα **2** (Σχ. **C**).
- Τοποθετήστε την παρεχόμενη αφρώδη ταινία **8** γύρω από το κυκλικό βύσμα **7** (Σχ. **E**).
- Αφαιρέστε το ηλεκτρικό κάλυμμα **5** (Σχ. **E**). Το στροφέιο μπορεί να αφαιρεθεί για πιο εύκολη πρόσβαση (αν χρειαστεί).
Πόκεται για μια διάταξη ώθησης/έλξης.

Ρύθμιση της ταχύτητας εξεριστήρα

- Μόνο για τους **DX200T / CF20 / CF20T** (Σχ. **D**)
- Η ορθή ταχύτητα ελέγχου υγραποίησης πρέπει να επιλέγεται για να ανταποκρίνεται προς (CF20/CF20T) η ταχύτητα λειτουργίας (DX200T) του μέγεθος του δωματίου μέσα στο οποίο πρόκειται να εγκατασταθεί ο εξεριστήρας. Ρυθμίστε τον διακόπτη **X** στην απαιτούμενη θέση. Σημειώστε ότι ο εξεριστήρας είναι ρυθμιζόμενος από το εργοστάσιο στη «Θέση 2».
 - Θέση διακόπτη Μέγεθος / όγκος δωματίου (μ.³)

1	Μεγάλο (34 κα πάνω)
2	Μέτριο (28-34)
3	Μικρό (κάτω από 28)

Ρύθμιση της αργής ταχύτητας

- Μόνο για τους **DX200T / CF20 / CF20T** (Σχ. **D**)
- Ο εξεριστήρας μπορεί να ρυθμιστεί για να παρέχει σταθερή αργή εξαγωγή. Ρυθμίστε τον διακόπτη **Y** στην απαιτούμενη θέση. Σημειώστε ότι ο εξεριστήρας είναι ρυθμιζόμενος από το εργοστάσιο στη «Θέση 0».
 - Θέση διακόπτη Ρύθμιση

0	Αργή εξαγωγή κλειστή (OFF)
1	Αργή εξαγωγή ανοικτή (ON)

Ρύθμιση της εκκίνησης με χρονική καθυστέρηση

- Μόνο για τους **DX200T / CF20T** (Σχ. **D**)
- Ο εξεριστήρας μπορεί να ρυθμιστεί για να ξεκινά η λειτουργία του με καθυστέρηση 2 λεπτών όταν χρησιμοποιείται εξωτερικός διακόπτης on/off. Ρυθμίστε τον διακόπτη **Z** στην απαιτούμενη θέση. Σημειώστε ότι ο εξεριστήρας είναι ρυθμιζόμενος από το εργοστάσιο στη «Θέση 0».
 - Θέση διακόπτη Ρύθμιση

0	Εκκίνηση με χρονική καθυστέρηση κλειστή (OFF)
1	Εκκίνηση με χρονική καθυστέρηση ανοικτή (ON)

Τοποθέτηση του εξεριστήρα σε τοίχο ή ταβάνι (εγκατάσταση επιφανείας)

- Τοποθετήστε τον αγωγό μέσα στην τρύπα και εθυραμίστε τον στην απαιτούμενη θέση. Αν πρόκειται για τοποθέτηση σε τοίχο, βεβαιωθείτε ότι ο αγωγός απομακρύνεται από τον εξεριστήρα με μία κλίση προς τα κάτω.
- Σημαδέψτε τις θέσεις για τις τρεις τρύπες τοποθέτησης **A** στο κιβώτιο του εξεριστήρα **6** (Σχ. **E**).
- Αν πρόκειται για τοποθέτηση σε τοίχο, ανοίξτε με βρυπάνι τρεις τρύπες διαμέτρου 5,5 χλστ. για υποδοχές βιδών (που παρέχονται). Αν πρόκειται για τοποθέτηση σε ταβάνι **B**, χρησιμοποιήστε κατάλληλους συνδετήρες (που δεν παρέχονται).
- Ανοίξτε την τρύπα εισόδου καλωδίου στο πλαίσιο **10**, αν απαιτείται, και σχίστε το μονωτικό παρέμβυσμα του καλωδίου. Γλιστρήστε το πλαίσιο **6** πάνω από το κιβώτιο του εξεριστήρα **6**.
- Περάστε τα ηλεκτρικά καλώδια στο κιβώτιο του εξεριστήρα **6**, μέσα από την τρύπα εισόδου καλωδίου και το πλαίσιο, και επανατοποθετήστε το μονωτικό παρέμβυσμα του καλωδίου.
Βεβαιωθείτε ότι το μονωτικό παρέμβυσμα του καλωδίου βρίσκεται στη θέση του και είναι σφικτά εφαρμοσμένο.

1. I morsetti del corpo dell'aspiratore NON sono adatti. Costruire un telaio di legno dalle dimensioni INTERNE di 203 x 233mm. La profondità dovrebbe essere di almeno 50 mm. Montare il telaio di legno nella parete interna e rifinire il foro.
2. Avvicinare l'involucro dell'aspiratore **6** alla parete.
3. Avvitare l'involucro dell'aspiratore **6** al telaio di legno usando le scanalature presenti nella flangia (viti non fornite).

Per il montaggio al soffitto (ad incasso)

1. La cornice **10** non è necessaria.
2. Inserire l'involucro dell'aspiratore **6** nel foro e contrassegnare quattro posizioni usando le lesure presenti nella flangia **B**.
3. Togliere l'involucro dell'aspiratore **6** dal soffitto e montare i quattro fermagli per soffitto (in dotazione) sul bordo del foro, in modo che essi risultino allineati con i segni sul soffitto **B**.
4. Praticare 4 fori pilota nel soffitto, attraverso il foro di ciascun fermaglio, assicurandosi di non danneggiare il fermaglio stesso.
5. Montare il condotto all'imbocco a bicchiere circolare **7**.
6. Avvicinare l'involucro dell'aspiratore **6** al soffitto.
7. Aprire il passacavo. Introdurre il cavo elettrico nell'involucro dell'aspiratore **6** attraverso il foro anteriore di ingresso del cavo.
Assicurarsi che il passacavo sia in posizione ed aderisca perfettamente alla sua sede.
8. Usando le viti **11** (Fig. **B**), fissare la flangia dell'involucro dell'aspiratore ai fermagli per il soffitto.

Terminazione del condotto

Montare una grata esterna (come la CFWG100, non fornita con i modelli DX200/DX200T) alla parete esterna. Per il montaggio al soffitto, usare gli accessori adatti (non forniti).

Stabilire i collegamenti elettrici

AVVERTENZA! QUESTO APPARECCHIO DEVE ESSRE COLLEGATO A TERRA

1. **Isolare l'alimentazione elettrica e togliere tutti i fusibili.**
La morsetteria consente il collegamento di un cavo fino a 1,5mm².
2. Secondo le norme per il cablaggio, è necessario incorporare nel cablaggio un mezzo per la disconnessione in tutti poli.
3. Usare un cavo tripolare o quadrupolare di tipo adatto, a seconda dell'applicazione.
4. Togliere le viti di fissaggio del coperchio della morsetteria, se sono ancora in posizione.
5. Collegare l'aspiratore come mostrato in **F** usando il morsetto stringicavo in dotazione. Controllare il modello dell'aspiratore rispetto allo schema. **DX200:** "LH" =In tensione (alta velocità) "LL" = in tensione (bassa velocità)
6. Rimettere a posto il coperchio della morsetteria **6** e serrarne le viti di fissaggio.
7. Consultare la sezione dedicata alle "Regolazioni da parte dell'utente" se si desidera usare impostazioni diverse da quelle predefinite in fabbrica.
8. Rimontare il coperchio anteriore (Fig. **C**).
9. Collegare il cavo dal sezionatore al cablaggio dell'alimentazione elettrica e riconnoscere l'installazione.
10. Rimettere a posto i fusibili prima di inserire l'alimentazione elettrica.
11. Per i circuiti con cablaggio fisso, il fusibile di protezione dell'apparecchio non deve avere un amperaggio superiore a 5A.

Solo per l'Australia

CF20 – Collegamento all'alimentazione elettrica - cavo tripolare flessibile con spina tripolare per l'inserimento in un interruttore da 10A montato a parete con una distanza di almeno 3 mm tra i contatti.

TUTTI GLI ALTRI PAESI – Collegato in maniera permanente all'alimentazione elettrica e funzionamento controllato da un interruttore a distanza. Gli apparecchi devono essere collegati direttamente all'alimentazione elettrica attraverso un interruttore da 10A montato a parete, con una distanza di almeno 3 mm tra i contatti.

Regolazioni da parte dell'utente

Prima di effettuare qualsiasi regolazione, isolare completamente l'aspiratore dalla rete elettrica, controllare le specifiche seguenti per vedere quali caratteristiche sono applicabili al proprio aspiratore.

1. Togliere l'interruttore anteriore e rimetterlo a posto dopo la regolazione (Fig. **C**).

DX200

Questo aspiratore non prevede regolazioni da parte dell'utente.

DX200T

1. Il timer del periodo di funzionamento supplementare può essere regolato, approssimativamente, tra 30 secondi e 20 minuti. Con un cacciavite da elettricista, ruotare la vite "T" (Fig. **D**), in senso orario per aumentare il tempo di funzionamento ed in senso antiorario per ridurlo. (L'impostazione predefinita in fabbrica è di circa 10 minuti).

CF20

1. L'impostazione dell'umidità è regolabile, approssimativamente, tra 50% e 90% di umidità relativa. Con un cacciavite da elettricista, ruotare la vite "RH" (Fig. **D**), in senso orario per aumentare l'impostazione dell'umidità relativa ed in senso antiorario per diminuirla. (Nota: l'aspiratore è più sensibile se regolato ad un tasso di umidità relativa del 50% che non al 90% e la sua impostazione predefinita in fabbrica è approssimativamente 70%).

CF20T

1. Il timer del periodo di funzionamento supplementare può essere regolato, approssimativamente, tra 30 secondi e 20 minuti. Con un cacciavite da elettricista, ruotare la vite "T" (Fig. **D**), in senso orario per aumentare il tempo di funzionamento ed in senso antiorario per ridurlo.
2. L'impostazione dell'umidità è regolabile, approssimativamente, tra 50% e 90% di umidità relativa. Con un cacciavite da elettricista, ruotare la vite "RH" (Fig. **D**), in senso orario per aumentare l'impostazione dell'umidità relativa ed in senso antiorario per diminuirla. (Nota: l'aspiratore è più sensibile se regolato ad un tasso di umidità relativa del 50% che non al 90%).

Uso dell'aspiratore

DX200

Azionare l'aspiratore usando l'interruttore acceso/spento esterno. Premere nuovamente per spegnere l'apparecchio. La velocità dell'aspiratore viene impostata dall'installatore al valore alto o basso. (Se è stato installato un commutatore di velocità, allora l'utente può passare dalla velocità alta a quella bassa e viceversa).

DX200T

Azionare l'aspiratore usando l'interruttore acceso/spento esterno. Premere nuovamente per spegnere l'apparecchio. Quando viene spento l'interruttore, l'aspiratore rimane in funzione per il periodo di funzionamento supplementare selezionato. La spia luminosa "I" superiore è accesa quando l'interruttore acceso/spento è acceso.

La velocità dell'aspiratore viene impostata dall'installatore al valore alto, medio o basso.

Funzione di ritardo di avvio attivata o disattivata

Quest'impostazione viene effettuata dall'installatore per attivare un ritardo di avvio di 2 minuti quando l'aspiratore viene acceso usando l'interruttore acceso/spento esterno.

CF20 / CF20T

Funzionamento commutato

L'aspiratore può essere collegato con un interruttore acceso/spento separato. L'aspiratore funziona alla velocità di condensazione quando viene acceso. La "Spia luminosa I" è accesa quando l'interruttore acceso/spento separato è acceso. Quando l'interruttore viene spento, l'aspiratore rimarrà in funzione se il livello di umidità supera il valore predefinito. Solo modello CF20T: quando l'interruttore viene spento, l'aspiratore continua a funzionare alla velocità di condensazione per il periodo di funzionamento supplementare determinato dal timer regolabile.

Funzionamento a velocità di controllo della condensazione

L'aspiratore funziona alla velocità di controllo della condensazione, quando il tasso di umidità relativa supera il livello predefinito e si spegne quando il tasso di umidità cala.

Funzionamento ad alta velocità

L'interruttore a cordicella incorporato commuta l'aspiratore alla modalità di funzionamento ad alta velocità. Quando l'aspiratore funziona ad alta velocità, la "Spia luminosa II" inferiore è accesa.

Nota: se l'interruttore acceso/spento e l'interruttore a cordicella incorporato sono entrambi accesi, allora entrambe le spie luminose "I" e "II" saranno accese e l'aspiratore funzionerà ad alta velocità.

Solo modello CF20T

Funzione di ritardo di avvio attivata o disattivata

Questa funzione viene impostata dall'installatore per fornire un ritardo di avvio di 2 minuti quando l'aspiratore viene acceso usando un interruttore acceso/spento separato.

Pulizia

Prima di pulire l'aspiratore, isolarlo completamente dalla rete elettrica
Pulire solo la superficie esterna dell'aspiratore con un panno umido che non sfilacci. Non usare detersivi, solventi o prodotti chimici aggressivi. Lasciar asciugare completamente l'aspiratore prima di riutilizzarlo. Oltre alla pulizia, l'aspiratore non richiede alcuna altra manutenzione.

Legenda. Vedi Schema **E**

- | | |
|--------------------------------|--|
| 1. Piastra diaframma | 7. Imbocco a bicchiere circolare |
| 2. Coperchio anteriore | 8. Viti dei morsetti e tasselli ad espansione - 3 |
| 3. Girante | 9. Morsetti del corpo dell'aspiratore - 3 |
| 4. Viti di fissaggio | 10. Cornice |
| 5. Coperchio della morsetteria | 11. Viti per il soffitto lunghe 25 mm - 4 (Schema B) |
| 6. Involucro dell'aspiratore | 12. Nastri di gommaschiuma |

LASCIARE QUESTO OPUSCOLO ASSIEME ALL'ASPIRATORE A BENEFICIO DELL'UTENTE

S

VIKTIGT

1. LÄS IGENOM ALLA DESSA INSTRUKTIONER OCH VARNINGAR INNAN DU PÅBÖRJAR INSTALLATIONEN.
2. INSTALLATIONER OCH LEDNINGSDRAGNINGAR MÅSTE FÖLJA GÄLLANDE IEE-REGLER (STORBRITANNIEN) OCH LOKALA ELLER TILLÄMPLIGA REGLER (ANDRA LÄNDER). INSTALLERAREN ANSVARAR FÖR ATT TILLÄMPLIGA FÖRFARANDEREGLER FÖLJS UNDER INSTALLATIONEN.
3. EN UTBILDAD ELEKTRIKER MÅSTE ÖVERVAKA ALLA INSTALLATIONER.
4. DESSA APPARATER ÄR AVSEDDA FÖR ANSLUTNING TILL FASTA KABLAGE.
5. KONTROLLERA ATT MÄRKDATAN PÅ FLÄKTEN ÖVERENSSTÄMMER MED HUVUDSTRÖMFÖRSÖRJNINGEN.
6. **VARNING: DESSA APPARATER MÅSTE JORDAS.**
7. INSTALLERA PÅ BEHÖRIGT AVSTÅND FRÅN VÄRMEKÄLLOR (T.E.X. GASSPISAR ELLER HÖGT MONTERADE GRILLAR) OCH INTE DÅR OMGIVNINGSTEMPERATUREN KAN FÖRVÄNTAS STIGA ÖVER 50 °C.
8. OM FLÄKTEN INSTALLERAS I ETT RUM SOM HAR EN BRÄNSLEBRÄNNANDE APPARAT, MÅSTE DU VIDTA FÖRSIKTIGHETSÅTGÄRDER FÖR ATT UNDVIKA GASFLÖDEN UT I RUMMET FRÅN DEN BRÄNSLEBRÄNNANDE APPARATENS ÖPPNA KANAL.
9. KONTROLLERA ATT TILLÄMPLIGA SÄKERHETSÅTGÄRDER (KORREKTA ÖGONSKYDD, SKYDDSKLÄDSEL, ETC.) VIDTAS VID INSTALLATION, DRIFT OCH UNDERHÅLL AV FLÄKTEN.
10. ALLMÄNNA ANVISNINGAR FÖR UTPLACERING AV FLÄKT GES I "FIG G". PLACERA ALLTID FLÄKTEN SÅ HÖGT SOM MÖJLIGT.
11. OM NÅGON DEL AV RÖRSYSTEMET PLACERAS HÖGRE ÄN FLÄKTEN, MÅSTE EN KONDENSAVSKILJARE (XCT100) MONTERAS SÅ NÄRA FLÄKTEN SOM MÖJLIGT.
12. DENNA APPARAT ÄR INTE AVSEDD ATT BRUKAS AV PERSONER (INKLUSIVE BARN OCH GAMLA) SOM HAR NEDSATT FYSISK, SINNESMÅSSIG ELLER MENTAL FÖRMÅGA ELLER SAKNAR TILLRÄCKLIG ERFARENHET ELLER KUNSKAP, SÄVIDA INTE DE GES TILLRÄCKLIG ÖVERVAKNING ELLER UTBILDNING RÖRANDE BRUK AV APPARATEN AV EN PERSON SOM DESSUTOM ANSVARAR FÖR DESSA PERSONERS SÄKERHET. BARN BÖR ÖVERVAKAS SÅ ATT DE INTE LEKER MED APPARATEN.

I avsnittet "Tillbehör" hittar du hjälpmedel som kan vara av nytta under installationen.

Väggmontering (ytmontering)

1. Märk hålet för trumman **A** på väggen.
2. Gör ett hål i väggen (117 mm i diameter och något sluttande mot ytterväggen) utifrån denna markering.
3. Montera fast väggtrumman (WD100 - medföljer ej) och mura igen.

Väggmontering (försänkt montering)

1. Märk hålet för trumman **A** på väggen och borra ett inledande hål genom båda väggarna.
2. Markera ett rektangulärt hål för innerväggen utifrån denna markering med hjälp av dimensionerna **A**.
3. Skär ut det rektangulära hålet i innerväggen.
4. Gör ett hål i ytterväggen från utsidan (117 mm i diameter) utifrån den markerade mittpunkten.
5. Mät väggens tjocklek.
Kapa väggtrumman (WD100 - medföljer ej) tills den är 64 mm tunnare än väggen.

Takmontering (ytmontering)

Den här metoden kräver ett tomt utrymme över taket (till exempel loft eller vind) för trumman (100 mm i diameter).

1. Märk hålet för trumman **A** på väggen. Undvik takbjälkar, brända kablar, etc.
2. Gör ett hål (117 mm i diameter) utifrån den markerade mittpunkten.

Takmontering (försänkt montering)

För hål som är 100 mm i diameter:

1. Markera ett rektangulärt hål med hjälp av dimensionerna **B**.
 2. Gör ett hål. Undvik takbjälkar, brända kablar, etc.
- För planmontering:
- Fläkten kan installeras inom ett 47 mm stort tomrum utan muffförbindningen **7** (Fig. **E**). En adapter sats (FDA) för denna planmontering finns tillgänglig.

Förberedelser före installation

1. Avlägsna det främre skyddet **2** (Fig. **C**).
2. Placera bifogad skumtejp **6** muffförbindningen **7** (Fig. **E**).
3. Avlägsna det elektriska skyddet **6** (Fig. **E**). Om du behöver mer utrymme kan du avlägsna fläkthjulet. Det här är en strömbrytare.

Ställa in fläkthastighet

Gäller enbart **DX200T/CF20/CF20T** (Fig. **D**)

4. Den kondensationshastighet som (CF20/CF20T) eller drifhastighet (DX200T) är lämplig för storleken på det rum i vilket fläkten ska installeras. För sedan omkopplaren **X** till avsett läge. Fläkten är förhandsinställd på läge 2.
5. Läge
1 Stor (34 eller mer)
2 Mellan (28-34)
3 Liten (28 eller mindre)

Ställa in kondensationshastighet

Gäller enbart **DX200T/CF20/CF20T** (Fig. **D**)

6. Du kan ställa in fläkten på konstant bakgrundsflöde. För omkopplaren **Y** till avsett läge. Fläkten är förhandsinställd på läge 0.
7. Läge
0 Inställning
1 Konstant bakgrundsflöde AV
1 Konstant bakgrundsflöde PÅ

Ställa in fördröjd start

Gäller enbart **DX200T/CF20T** (Fig. **D**)

8. Du kan ställa in fläkten på att starta efter 2 minuter om du använder en extern på/av-knapp. För omkopplaren **Z** till avsett läge. Fläkten är förhandsinställd på läge **10**.
- Läge
0 Inställning
1 Fördröjd start AV
1 Fördröjd start PÅ

Vägg- eller takmontering (ytmontering)

1. Placera trumman i hålet och kontrollera att den befinner sig i rätt läge. Om du väggmonterar ska du kontrollera att trumman slutar nedåt från fläkten.
2. Markera de tre skruvhålen **A** i fläktheten **6** (Fig. **E**).
3. Om du väggmonterar borrar du tre hål (5,5 mm i diameter) för väggpluggar (bifogas). Om du takmonterar **B** ska du använda lämpliga redskap (bifogas ej).
4. Skär vid behov till kabelingången i omslutningen **10** och öppna kabelingen. Dra omslutningen **10** runt fläktheten **6**.
5. För in elkablarna i fläktheten **6** genom kabelingången och omslutningen. Stäng kabelingen.
Se till att omslutningen sitter säkert på plats.
6. Placera fläktheten **6** på väggen eller taket. Kontrollera att muffförbindningen **7** går in i trumman.
7. Fäst fläktheten **6** i väggen med hjälp av skruvarna **6** eller i taket med hjälp av lämpliga redskap (bifogas ej).

Väggmontering (försänkt montering)

Omslutningen **10** behövs ej. Montera fast trumman på muffförbindningen **7**.

Om hälets storlek är rätt:

1. Montera fast de tre fläktklämmorna **9** på fläktheten **6** med hjälp av skruvar **6**.
2. Öppna kabelingen. För in elkablarna i fläktheten **6** genom kabelingången och omslutningen.
Se till att omslutningen sitter säkert på plats.
3. Placera fläktheten **6** på väggen.
4. Skruva fast de tre skruvarna **6** tills fläkten är fastmonterad på innerväggen. Fläktklämmorna **9** roterar automatiskt tills de låser fast. **SKRUVA INTE FAST FÖR HÄRT.**

Om hälets storlek överstiger rekommenderad storlek, dvs. är större än flänsen på fläktheten **6 (gäller i regel vid s.k. "retro-fit"-installationer):**

1. Fläktklämmorna bör INTE användas. Tillverka en träram med de INTERNA dimensionerna 203 x 233 mm. Djupet bör vara minst 50 mm. Placera träramen i innerväggen och anpassa hålet.

- Placera fläktheten **6** på väggen.
- Skruva fast fläktheten **6** på träramen med hjälp av flänshålen (skruvar bifogas ej).

Takmontering (försänkt montering)

- Omslutningen **10** behövs ej.
- Placera fläktheten **6** i hålet och markera de fyra punkterna med hjälp av flänshålen **B**.
- Avlägsna fläktheten **6** från taket och placera de fyra takklämmorna (bifogas) över hålets kant så att de överensstämmer med markeringarna i taket **B**.
- Borra fyra inledande hål i taket genom hålet i varje klämma. Skada inte klämmorna.
- Montera fast trumman på muffförbindningen **7**.
- Placera fläktheten **6** på väggen.
- Öppna kabelringen. För in elkabeln i fläktheten **6** genom det främre kabelingången.
Se till att omslutningen sitter säkert på plats.
- Montera fast fläkthetens fläns i takklämmorna med hjälp av skruvarna **11** (Fig. **B**).

Avsluta trumman

Montera fast ett yttre galler (t.ex. CFWG100 - bifogas ej) i DX200/DX200T) på ytterväggen. Om du takmonterar ska du använda lämpliga redskap (bifogas ej).

Ledningsdragnig

VARNING! DEN HÅR APPARATEN MÅSTE JORDAS.

- Bryt strömmen och avlägsna samtliga säkringar. Kablar upp till 1,5 mm² kan användas tillsammans med kopplingsplinten.**
- En enhet för bortkoppling av alla terminaler måste inkorporeras i kablaget i enlighet med regler rörande ledningsdragnig.
- Använd lämpliga tre- eller fyrtledarkablar beroende på apparat.
- Avlägsna uttagskåpan fästskruvar om dessa fortfarande finns kvar.
- Ledningsdrag fläkten enligt **15** med hjälp av bifogad kabelklammer. Kontrollera att fläkten överensstämmer med kopplingschemat.
DX200: LH = Spänningsförande (hög hastighet) LL = Spänningsförande (låg hastighet)
- Sätt tillbaka uttagskåpan **6** och skruva fast fästskruvarna.
- Se avsnittet Användarjusteringar om du vill ändra förhandsinställningen.
- Montera fast det främre stödet (Fig. **C**).
- Anslut kabeln från fränskiljaren till ledningsdragnigen och kontrollera installationen på nytt.
- Sätt tillbaka säkringarna och starta strömmen.
- Apparatens säkring får inte överstiga 5A vid fast ledningsdragnig.

Enbart Australien

CF20 - Anslutning till nätet - flexibel treledarkabel med trestiftkontakt som sätts in i ett godkänt vägguttag (10A) med minst 3 mm avstånd mellan kontaktarna.

ÖVRIGA - Permanent anslutning till nätet och en fjärbrytare som styr operation. Dragnig till nätet bör ske via ett godkänt vägguttag (10A) med minst 3 mm avstånd mellan kontaktarna.

Användarjusteringar

Innan du gör några justeringar ska du bryta strömmen till fläkten samt läsa specifikationerna nedan för att se vilka funktioner som din fläkt erbjuder.

- Avlägsna det främre skyddet och sätt tillbaka det efter att ha gjort dina justeringar (Fig. **C**).

DX200

Du kan inte göra några justeringar på den här fläkten.

DX200T

- Du kan ställa in en extraperiod på mellan cirka 30 sekunder och 20 minuter. Använd en elektrikers skruvmejsel och skruva "T" (Fig. **D**) i riktning medsols för att öka tiden och medsols för att minska den. (Förhandsinställningen är cirka 10 minuter.)

CF20

- Du kan ställa in den relativa fuktighetsgraden på mellan cirka 50 % och 90 %. Använd en elektrikers skruvmejsel och skruva "RH" (Fig. **D**) i riktning medsols för att öka den relativa fuktigheten och medsols för att minska den. (Obs: Fläkten är känsligare vid 50 % RH än vid 90 % . Förhandsinställningen är cirka 70 % .)

CF20T

- Du kan ställa in en extraperiod på mellan cirka 30 sekunder och 20 minuter. Använd en elektrikers skruvmejsel och skruva "T" (Fig. **D**) i riktning medsols för att öka tiden och medsols för att minska den.
- Du kan ställa in den relativa fuktighetsgraden på mellan cirka 50 % och 90 %. Använd en elektrikers skruvmejsel skruva "RH" (Fig. **D**) i riktning medsols för att öka den relativa fuktigheten och medsols för att minska den. (Obs: Fläkten är känsligare vid 50 % RH än vid 90 % .)

Använda fläkten

DX200

Starta fläkten med hjälp av på/av-knappen. Tryck på samma knapp för att stanna fläkten. Fläktens ställs in på låg eller hög hastighet under installationen. (Om en omkastare har installerats har användaren möjlighet att växla mellan hög och låg hastighet.)

DX200T

Starta fläkten med hjälp av på/av-knappen. Tryck på samma knapp för att stanna fläkten. När fläktens stängs av fortsätter den att gå under vald extraperiod. Den övre lampan "I" tänds när på/av-knappen är påslagen. Fläktens ställs in på låg eller hög hastighet under installationen. Fläkthastigheten är förinställd av den som installerar på hög, medel eller låg.

Fördröjd start på eller av

Du kan ställa in fläkten på att starta efter 2 minuter om du använder en extern på/av-knapp.

CF20/CF20T

Körning med omkopplare

En på/av-knapp kan kopplas till fläkten. Fläkten arbetar med kondensationshastighet när den är påslagen. Den övre lampan "I" tänds när på/av-knappen är tillslagen. Om fläkten är frånslagen börjar den att gå om fuktighetsgraden överstiger den inställda nivån. Enbart CF20T. Om fläkten är frånslagen fortsätter den att gå (kondensationshastighet) under inställd extraperiod.

Kondensationskörning

Fläkten arbetar med kondensationshastighet om relativ fuktighet överstiger den inställda nivån och stängs av när fuktighetsgraden avtar.

Snabbkörning

Om du drar i fläktsnöret körs den med högsta hastighet. Den undre lampan "II" tänds när fläkten körs med denna hastighet. Obs: Om både den separata på/av-knappen och dragsnöret är på tänds både lampan "I" och "II" samtidigt som fläkten körs med högsta hastighet.

Enbart CF20T

Fördröjd start på eller av

Du kan ställa in fläkten på att starta efter 2 minuter vid bruk av en extern på/av-knapp.

Rengöring

Bryt strömmen till maskinen helt innan du börjar rengöra den. Rengör enbart fläktens yttre ytor. Använd en fuktig, luddfri trasa. Använd inte starka rengöringsmedel, lösningsmedel eller kemiska rengöringsmedel. Låt fläkten torka helt innan du använder den. Ingen annat underhåll förutom rengöring krävs.

Nummer

Nummer	Se diagram	
1	Flänsplatta	
2	Främre skydd	7 Muffförbindning
3	Fläkthjul	8 Låsskruvar och väggpluggar - 3 off
4	Fästskruvar	9 Fläktklämmor - 3 off
5	Uttagskåpa	10 Omslutning
6	Fläkthet	11 25 mm långa taksruvar - 4 off (diagram B)
		12 Skumtejp

HA BRUKSANVISNINGEN TILLGÄNGLIG GENOM ATT FÖRVARA DEN TILLSAMMANS MED FLÄKTEN

I

IMPORTANTE

- PRIMA DI INIZIARE CON LA PROCEDURA DI INSTALLAZIONE, LEGGERE ATTENTAMENTE TUTTE LE PRESENTI ISTRUZIONI E AVVERTENZE.
- LE INSTALLAZIONI E IL CABLAGGIO DEVONO ESSERE CONFORMI ALLE NORMATIVE IEE (PER IL REGNO UNITO) O ALLE NORMATIVE LOCALI O APPROPRIATE (PER GLI ALTRI PAESI). È RESPONSABILITÀ DEL PERSONALE CHE INSTALLA L'APPARECCHIO ASSICURARE CHE L'INSTALLAZIONE VENGA ESEGUITA NEL PIENO RISPETTO DELLE NORME VIGENTI NELL'EDIFICIO IN CUI L'APPARECCHIO VIENE INSTALLATO.
- LE INSTALLAZIONI DEVONO ESSERE ESEGUITE SOTTO LA SUPERVISIONE DI UN ELETTRICISTA QUALIFICATO.
- QUESTE APPARECCHIATURE SONO PROGETTATE PER ESSERE COLLEGATE A UN CABLAGGIO FISSO.
- CONTROLLARE CHE LE SPECIFICHE ELETTRICHE RIPORTATE SULLA VENTOLA SIANO COMPATIBILI CON QUELLE DELLA RETE DI ALIMENTAZIONE.
- AVVERTENZA: QUESTE APPARECCHIATURE DEVONO ESSERE DOTATE DI UNA MESSA A TERRA.**
- POSIZIONARE L'APPARECCHIO LONTANO DA FONTI DI CALORE DIRETTE (AD ESEMPIO UNA CUCINA A GAS O UN PIANO COTTURA). NON POSIZIONARLO IN LUOGHI IN CUI LA TEMPERATURA AMBIENTE POTREBBE SUPERARE I 50°C.
- SE LA VENTOLA VIENE INSTALLATA IN UN AMBIENTE IN CUI È PRESENTE UN APPARECCHIO A COMBUSTIONE, È NECESSARIO ADOTTARE PRECAUZIONI ADEGUATE PER EVITARE L'INVERSIONE DEL FLUSSO DEI GAS NELL'AMBIENTE ATTRAVERSO IL TIRAGGIO NATURALE DELL'APPARECCHIO A COMBUSTIONE.
- ASSICURARSI CHE DURANTE L'INSTALLAZIONE, L'UTILIZZO E GLI INTERVENTI DI MANUTEZIONE DELLA VENTOLA VENGANO ADOTTATE TUTTE LE MISURE DI SICUREZZA NECESSARIE (PROTEZIONE APPROPRIATA PER GLI OCCHI, INDUMENTI PROTETTIVI E COSÌ VIA).
- PER INDICAZIONI GENERALI SUL POSIZIONAMENTO DELLA VENTOLA, VEDERE "FIG G". POSIZIONARE LA VENTOLA NEL PUNTO PIÙ ALTO POSSIBILE.
- SE UNA PARTE DEI CONDOTTI È POSIZIONATA IN UN PUNTO PIÙ ALTO RISPETTO ALLA VENTOLA, È NECESSARIO INSTALLARE UNA VASCHETTA RACCOGLICONDENSA (XCT100) IL PIÙ VICINO POSSIBILE ALLA VENTOLA.
- QUESTA APPARECCHIATURA NON È PROGETTATA PER L'UTILIZZO DA PARTE DI PERSONE (INCLUSI BAMBINI E PERSONE INFERME) CON CAPACITÀ FISICHE, SENSORIE O MENTALI RIDOTTE O PERSONE CHE NON DISPONGONO DELL'ESPERIENZA E/O DELLE CONOSCENZE NECESSARIE, A MENO CHE ESSE NON AGISCANO SOTTO LA SUPERVISIONE DI UNA PERSONA RESPONSABILE PER LA LORO SICUREZZA O NON ABBIANO OTTENUTO UNA FORMAZIONE APPROPRIATA RELATIVA ALL'UTILIZZO DELL'APPARECCHIO DA PARTE DI UNA PERSONA RESPONSABILE PER LA LORO SICUREZZA. I BAMBINI DEVONO ESSERE SEMPRE VIGILATI PER ASSICURARE CHE NON GIOCHINO CON L'APPARECCHIATURA.

Per un'installazione rapida ed agevole, potrebbero essere necessari alcuni degli accessori indicati in "Accessori opzionali".

Per l'installazione a parete (in superficie)

- Contrassegnare sulla parete il centro del foro del condotto **A**.
- Usare questo centro per praticare attraverso il muro un'apertura dal diametro di 117 mm, con una leggera pendenza verso l'esterno.
- Installare il condotto da parete (WD100), non in dotazione, e fissarlo in posizione con la malta.

Per l'installazione a parete (ad incasso)

- Contrassegnare sulla parete il centro del foro del condotto **A**, quindi praticare un foro pilota attraverso entrambe le pareti.
- Usare il centro del foro per contrassegnare un foro rettangolare sulla parete interna, usando le dimensioni **A**.
- Praticare il foro rettangolare attraverso la parete interna.
- Portarsi all'esterno e praticare un foro dal diametro di 117 mm nella parete esterna, usando il piccolo foro come centro.
- Misurare lo spessore della parete. Tagliare il condotto per parete (WD100), non in dotazione, in modo che sia 64 mm più corto dello spessore della parete.

Per l'installazione al soffitto (in superficie)

Questo metodo richiede la presenza di uno spazio al di sopra del soffitto, come una soffitta od un attico, onde consentire l'accesso per i condotti dal diametro interno di 100 mm.

- Contrassegnare sul soffitto il centro del foro per il condotto **A**, evitando le travi del soffitto, i cavi incassati, ecc.
- Praticare un foro dal diametro di 117 mm, usando il centro contrassegnato.

Per l'installazione al soffitto (ad incasso)

Per i condotti dal diametro di 100 mm:

- Contrassegnare un foro rettangolare usando le dimensioni **B**.
- Praticare il foro, evitando le travi del soffitto, i cavi incassati, ecc.

Per i condotti piatti:

- Questo aspiratore può essere installato in uno spazio vuoto di 47 mm, senza l'imbocco a bicchiere circolare **7** (Fig. **E**). È disponibile il kit adattatore per i condotti piatti (FDA).

Preparazione dell'aspiratore per l'installazione

- Togliere il coperchio anteriore **2** (Fig. **C**).
- Applicare il nastro di gommashiuma **12** in dotazione attorno all'imbocco a bicchiere circolare **7** (Fig. **E**).
- Togliere il coperchio elettrico **6** (Fig. **E**). È possibile rimuovere la girante per agevolare l'accesso (se necessario). Il montaggio è a pressione.

Impostazione della velocità dell'aspiratore

Solo **DX200T / CF20 / CF20T** (Fig. **D**)

- La corretta velocità di controllo della condensazione (CF20/CF20T) o la velocità dell'aspiratore (DX200T) deve essere selezionata in funzione delle dimensioni dell'ambiente in cui deve essere installato l'aspiratore. Spostare l'interruttore **X** nella posizione richiesta. Va notato che l'aspiratore ha come impostazione predefinita la "Posizione 2".
- Posizione interruttore Dimensione/volume ambiente (m3)
 - Grande (34 ed oltre)
 - Medio (28 – 34)
 - Piccolo (meno di 28)

Impostazione della velocità di aspirazione minima

Solo **DX200T / CF20 / CF20T** (Fig. **D**)

- L'aspiratore può essere impostato in modo da assicurare un'aspirazione minima costante. Spostare l'interruttore **Y** nella posizione richiesta. Va notato che l'aspiratore ha come impostazione predefinita la "Posizione 0".
- Impostazione della posizione dell'interruttore

0	Aspirazione minima DISINSERITA
1	Aspirazione minima INSERITA

Impostazione del ritardo di avvio

Solo **DX200T / CF20T** (Fig. **D**)

- L'aspiratore può essere impostato in modo che, quando viene usato con un interruttore acceso/spento esterno, vi sia un ritardo di 2 minuti prima dell'avvio. Spostare l'interruttore **Z** nella posizione richiesta. Va notato che l'aspiratore ha come impostazione predefinita la "Posizione 0". Impostazione della posizione dell'interruttore

0	Ritardo di avvio DISINSERITO
1	Ritardo di avvio INSERITO

Montaggio dell'aspiratore a parete od al soffitto (in superficie)

- Collocare il condotto nel foro ed allinearlo alla posizione richiesta. Nel caso del montaggio a parete, assicurarsi che il condotto sia in pendenza in direzione opposta all'aspiratore.
- Contrassegnare le posizioni dei tre fori di fissaggio **A** nell'involo dell'aspiratore **6** (Fig. **E**).
- Nel caso del montaggio a parete, praticare tre fori di 5,5 mm di diametro per i tasselli ad espansione (in dotazione). Nel caso del montaggio al soffitto **E**, usare dispositivi di fissaggio appropriati (non forniti).
- Se necessario, praticare il foro di ingresso dei cavi nella cornice **10** ed aprire il passacavo. Infilare la cornice **10** sopra l'involo dell'aspiratore **6**.
- Introdurre i cavi elettrici nell'involo dell'aspiratore **6**, facendoli passare attraverso il foro di ingresso cavi posteriore e la cornice e riapplicare il passacavo.
Assicurarsi che il passacavo sia in posizione ed aderisca perfettamente alla sua sede.
- Avvicinare l'involo dell'aspiratore **6** alla parete od al soffitto. Assicurarsi che l'imbocco a bicchiere circolare **7** entri nel condotto.
- Fissare l'involo dell'aspiratore **6** alla parete usando le viti **8**, oppure al soffitto usando gli appropriati dispositivi di fissaggio (non forniti).

Per il montaggio a parete (ad incasso)

La cornice **10** non è necessaria. Applicare il condotto all'imbocco a bicchiere circolare **7**.

Se la dimensione del foro è quella consigliata:

- Assemblare i tre morsetti **9** del corpo dell'aspiratore all'involo dell'aspiratore **6** usando le viti **8**.
- Aprire il passacavo. Introdurre i cavi elettrici nell'involo dell'aspiratore **6** attraverso il foro di ingresso dei cavi ed il passacavo.
Assicurarsi che il passacavo sia in posizione ed aderisca perfettamente alla sua sede.
- Avvicinare l'involo dell'aspirazione **6** alla parete.
- Serrare le tre viti **9** fino a che l'aspiratore risulta fissato alla parete interna. I morsetti **9** del corpo dell'aspiratore ruoteranno automaticamente fino ad una posizione di arresto. **NON SERRARE ECCESSIVAMENTE.**

Se la dimensione del foro è superiore a quella consigliata, ossia: superiore alla dimensione della flangia sull'involo dell'aspiratore **6 (in massima parte relativa ad installazioni di "aggiornamento"):**