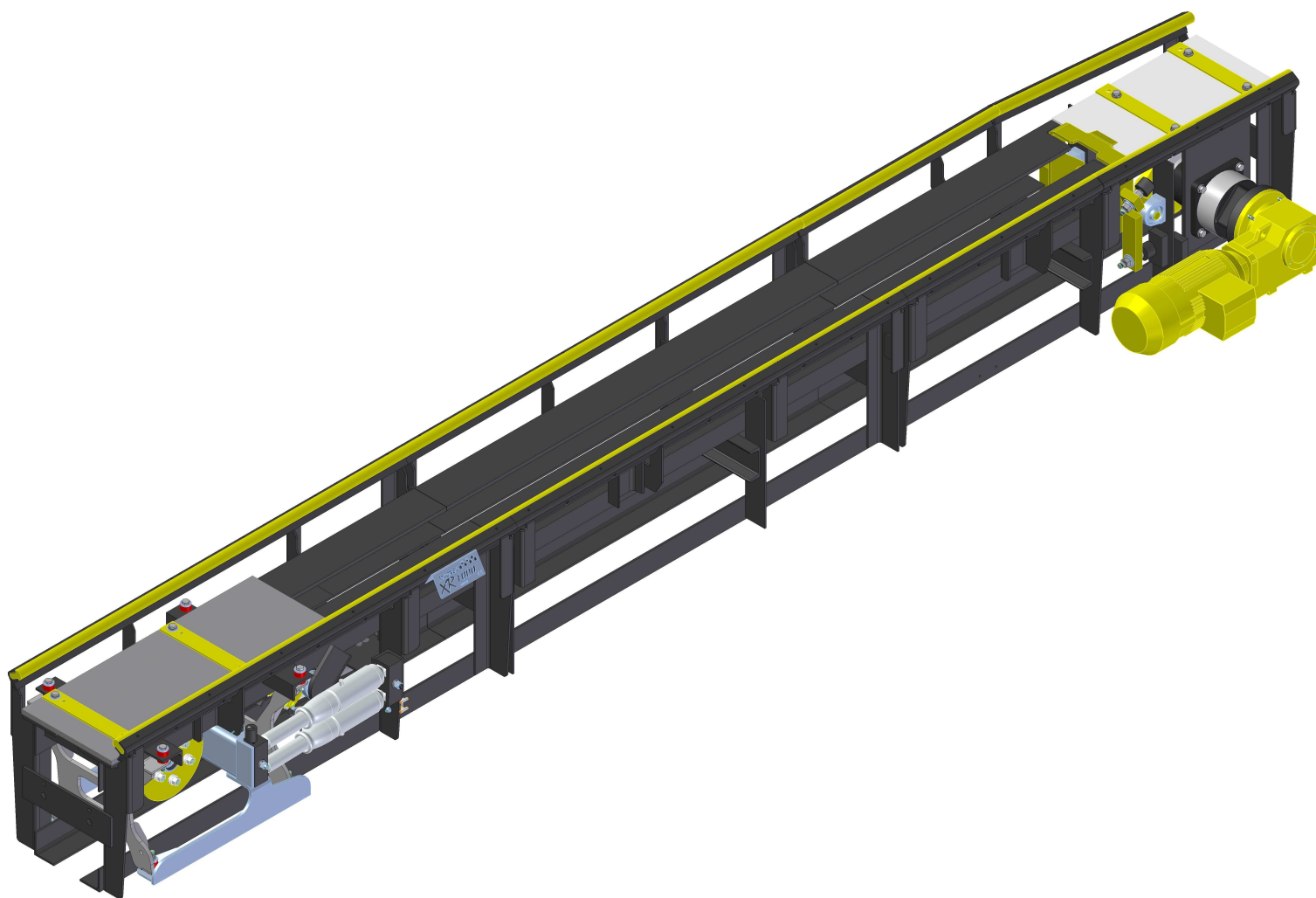
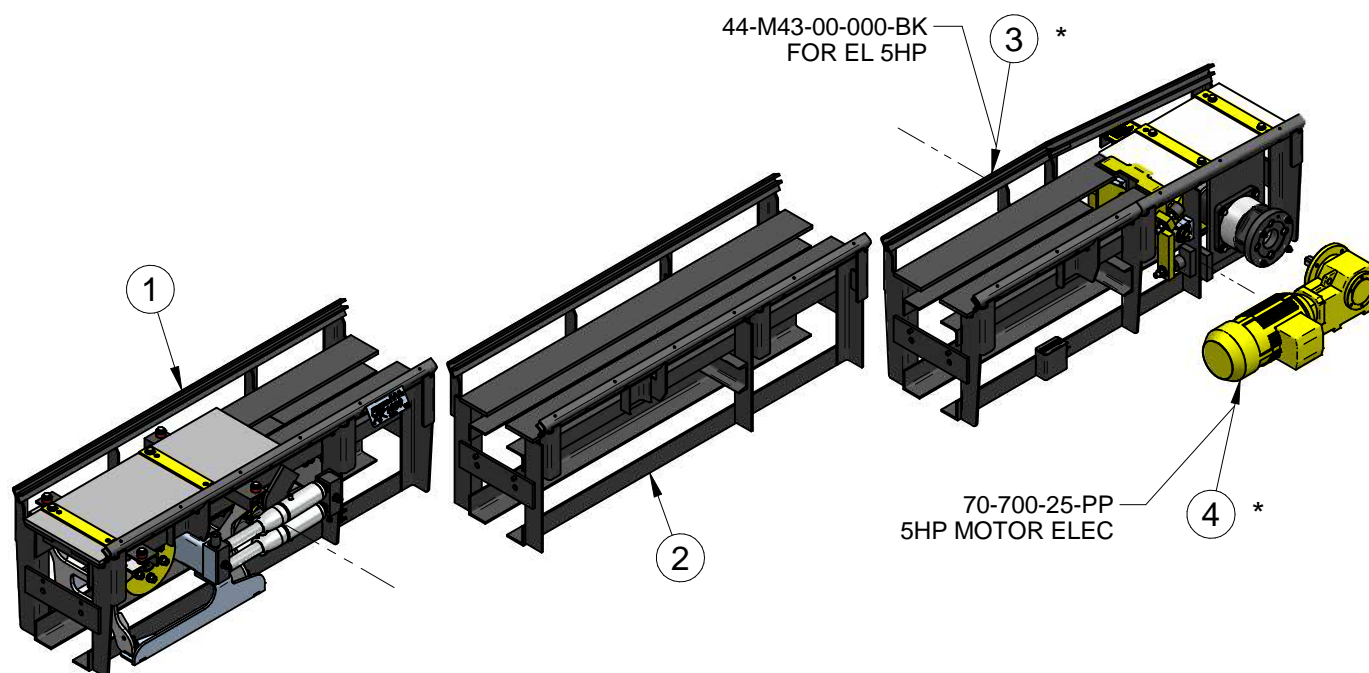


**DOCUMENT #EPL-XR1000
INCLUDES: ELECTRIC & HYDRAULIC**

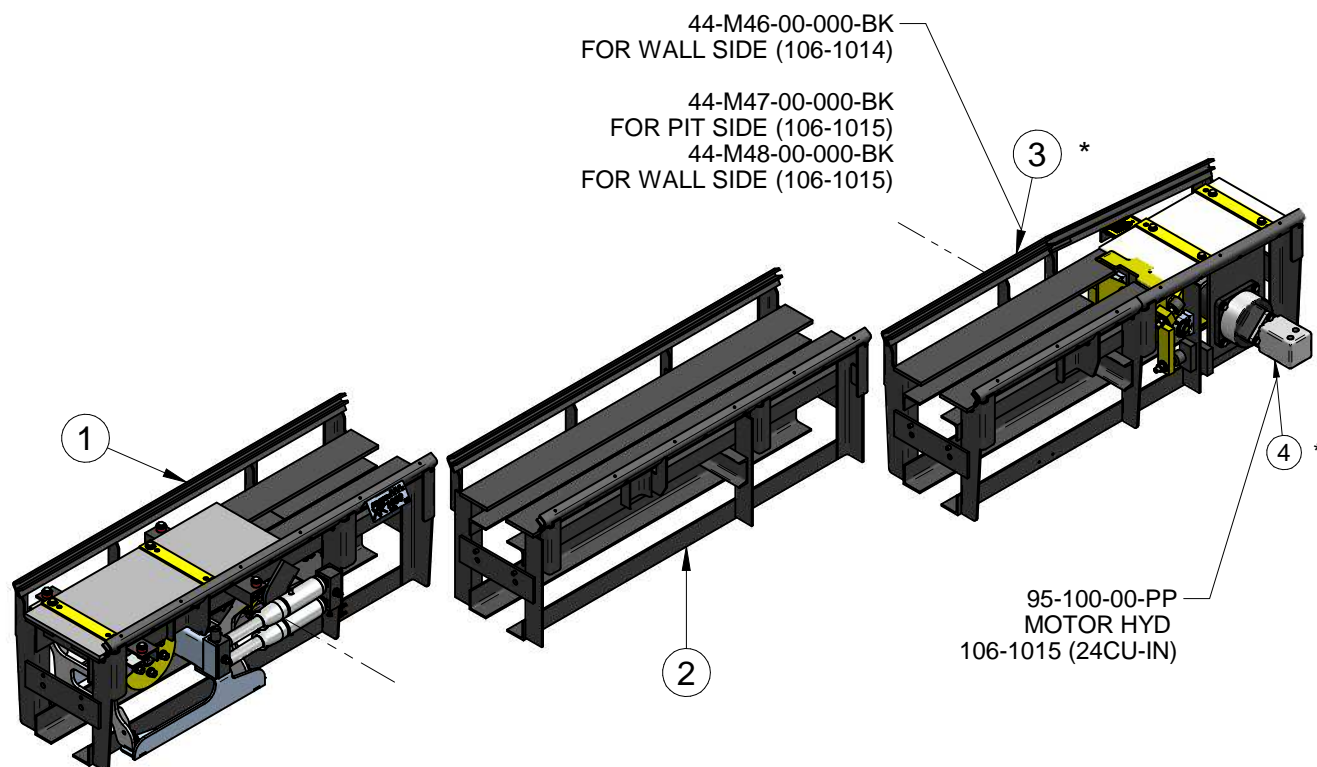


CONVEYOR ELECTRIC ASSEMBLY VIEW



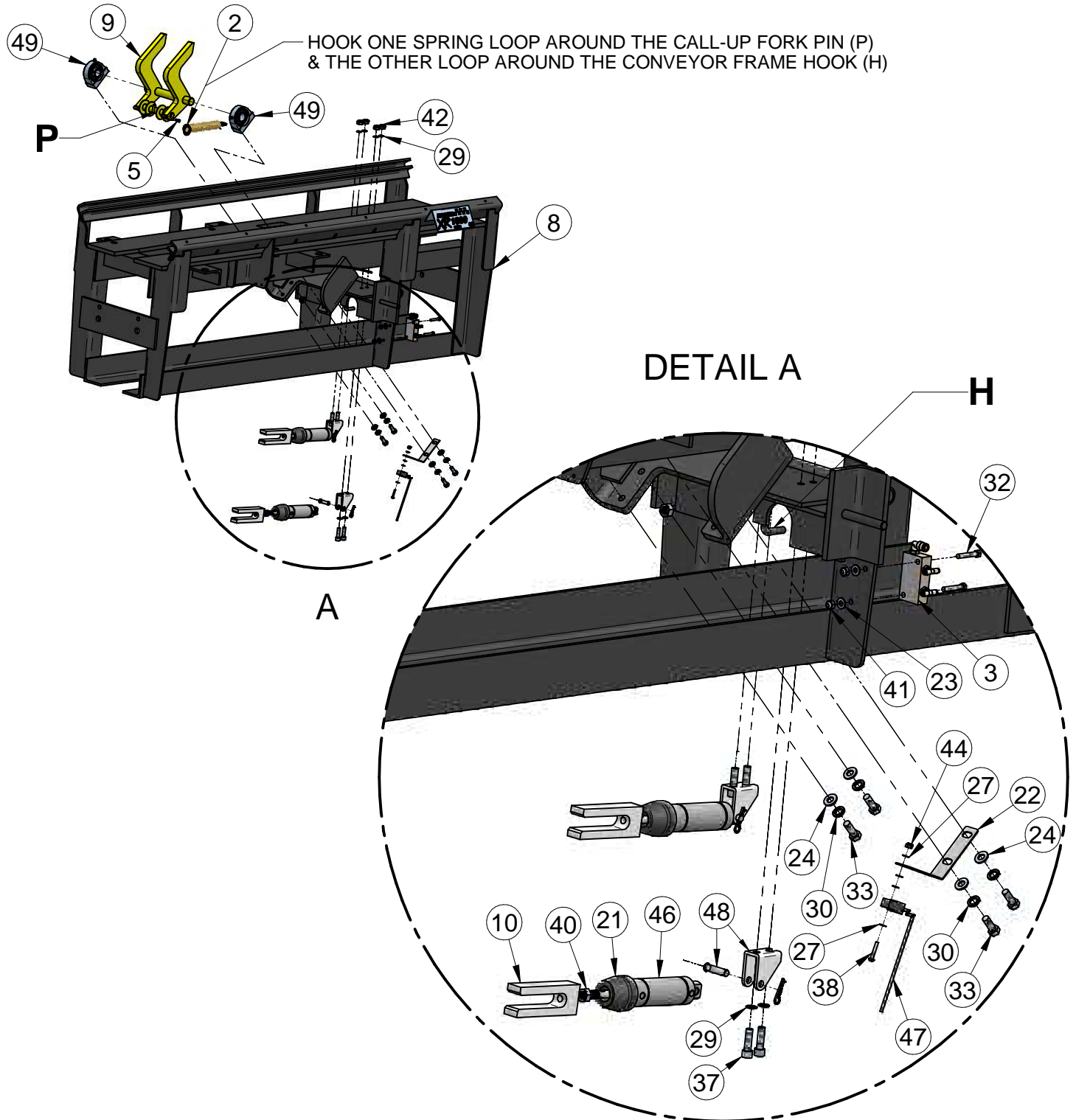
REF.	DESCRIPTION	PART NUMBER	QTY
1	CONVEYOR ENTRANCE SECTION	44-M15-00-000-BK	1
2	INTERMEDIATE FRAME 5 FT	44-M25-01-000-BK	1
3	EXIT ASS'Y - PIT SIDE (3HP ELECTRIC)	44-M40-00-000-BK	1
4a	MOTOR ELECTRIC - FLENDER 3 HP COMPLETE	70-700-23-PP	1
4b	MOTOR ELECTRIC - FLENDER 5 HP COMPLETE	70-700-25-PP	1

CONVEYOR HYDRAULIC ASSEMBLY VIEW

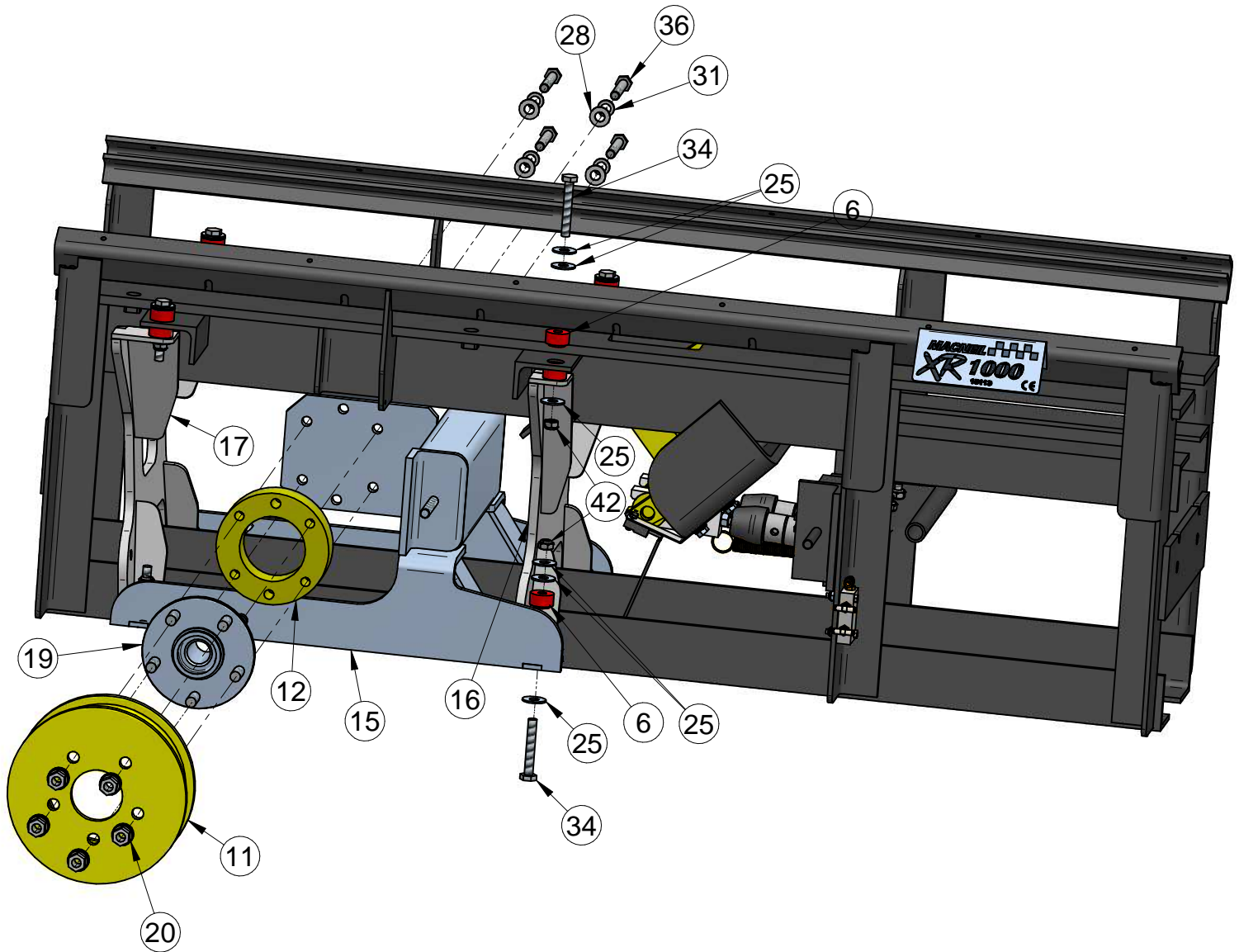


REF.	DESCRIPTION	PART NUMBER	QTY
1	CONVEYOR ENTRANCE SECTION	44-M15-00-000-BK	1
2	INTERMEDIATE FRAME 5 FT	44-M25-01-000-BK	1
3	EXIT ASS'Y - PIT SIDE (106-1014 HYDRAULIC)	44-M45-00-000-BK	1
4a	MOTOR HYD 106-1014 (19CU-IN)	95-100-02-PP	1
4b	MOTOR HYD 106-1015 (24CU-IN)	95-100-00-PP	1

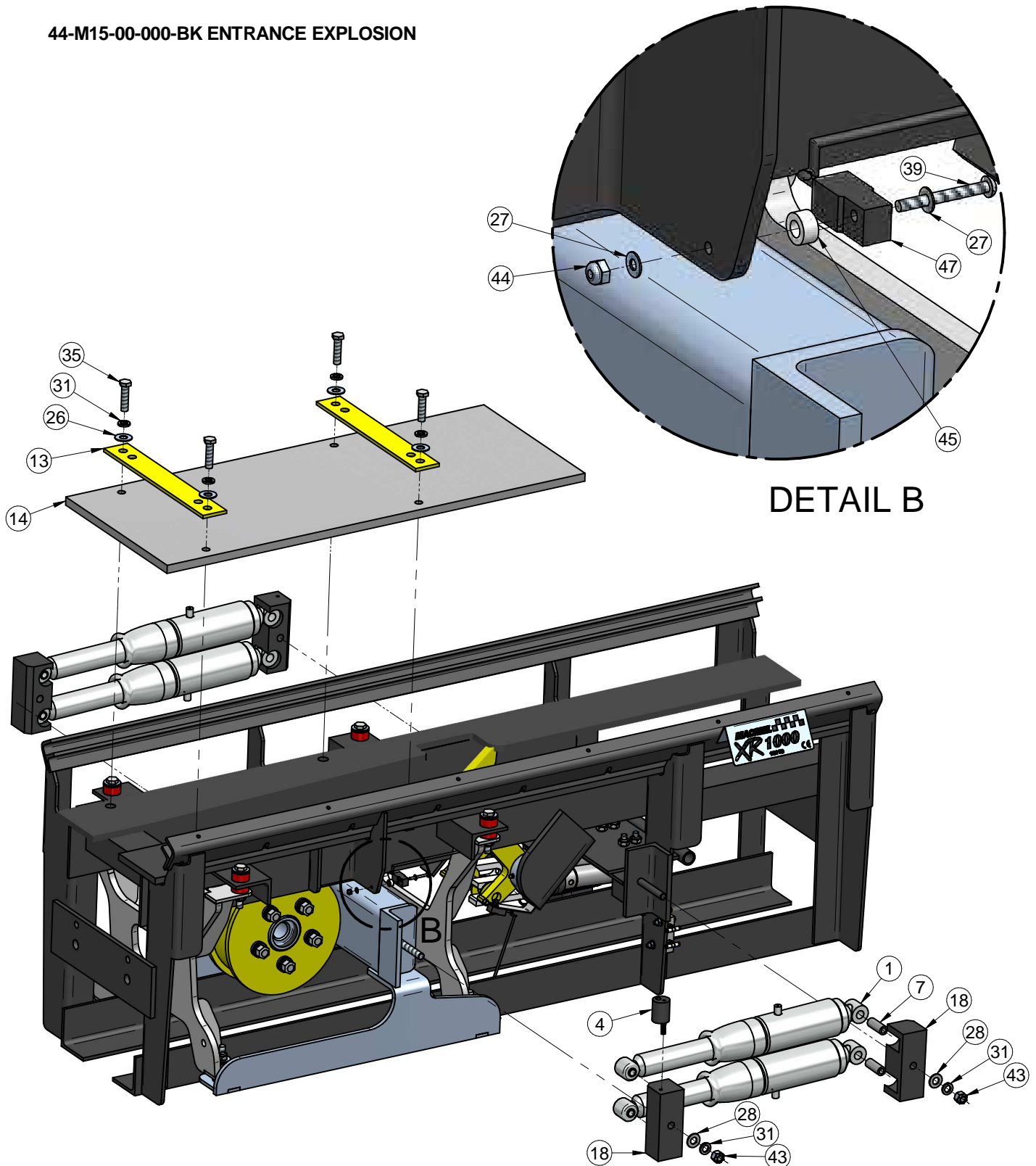
44-M15-00-000-BK ENTRANCE EXPLOSION



44-M15-00-000-BK ENTRANCE EXPLOSION



44-M15-00-000-BK ENTRANCE EXPLOSION



DETAIL B

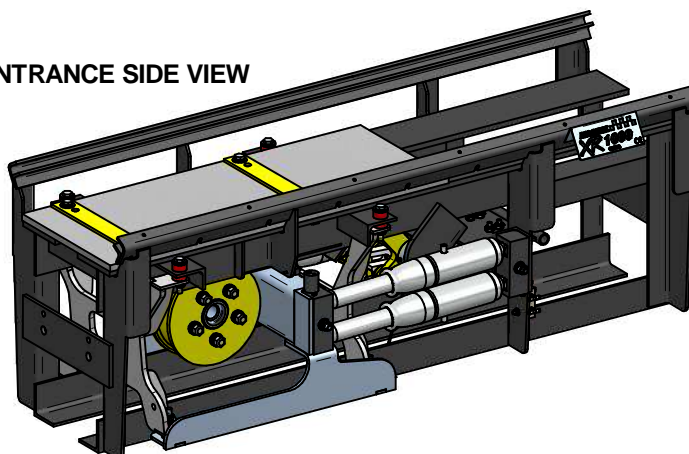
44-M15-00-000-BK ENTRANCE PARTS LIST

REF.	DESCRIPTION	PART NUMBER	QTY
1	MAX AIR MA769	44-034-00-PP	4
2	SPRING FORK RETURN PLATED FREE LENGTH 5.924"LG	44-057-00-PP	1
3	AIR MANIFOLD BLOCK ASSEMBLY	44-136-00-MP	1
4	MAGNET & MOUNT ASSEMBLY	44-567-00-MP	1
5	MAGNET ACTUATOR	44-581-02-PP	1
6	LINKEND BUSHING	44-590-02-PP	16
7	MONROE SHOCK ABSORBER SPACER	44-750-01-MP	4
8	ENTRANCE FRAME (BLK)	44-M15-01-000-BK	1
9	CALL-UP FORK WELDMENT	44-M15-03-000-YL	1
10	SLIP CLEVIS WITH HELI COIL	44-M15-05-001	2
11	TAKE-UP DRUM WELDMENT	44-M15-06-000-YL	1
12	HUB SPACER (YLW)	44-M15-09-000-YL	1
13	BELT ANCHOR STRAP	44-M15-12-000-YL	2
14	ENTRANCE COVER BELT	44-M15-13-000	1
15	DRUM CARRIAGE	44-M15-14-000-YL	1
16	H-FRAME A	44-M15-15-000-YL	1
17	H FRONT FRAME	44-M15-16-000-YL	1
18	UHMW SHOCK MOUNT & MAGNET MOUNT	44-M15-17-002	4
19	WHEEL HUB	44-M15-20-001	1
20	LUG NUT FLAT STYLE M14x1.5	44-M15-20-002	5
21	CYLINDER BUMPER	44-M15-25-001	2
22	PROX SWITCH MOUNT	44-M15-26-000	1
23	WSHR SS FLAT 1/4" (0.056"/0.063"THK)	80-104-000-SI	2
24	WSHR SS FLT 3/8" .071-.082THK .75"OD/.406"ID	80-106-000-SI	4
25	WASHER SS FLAT 7/16"	80-107-000-SI	24
26	WSHR SS FLAT 1/2"	80-108-000-SI	6
27	FLAT WASHER SS #8	80-108-000-SN	6
28	WASHER FLAT 1/2" SS	80-208-000-SI	6
29	WSHR SS FLT 3/8SM-OD 0.629odx.39idx0.05"thk	80-306-000-SI	8

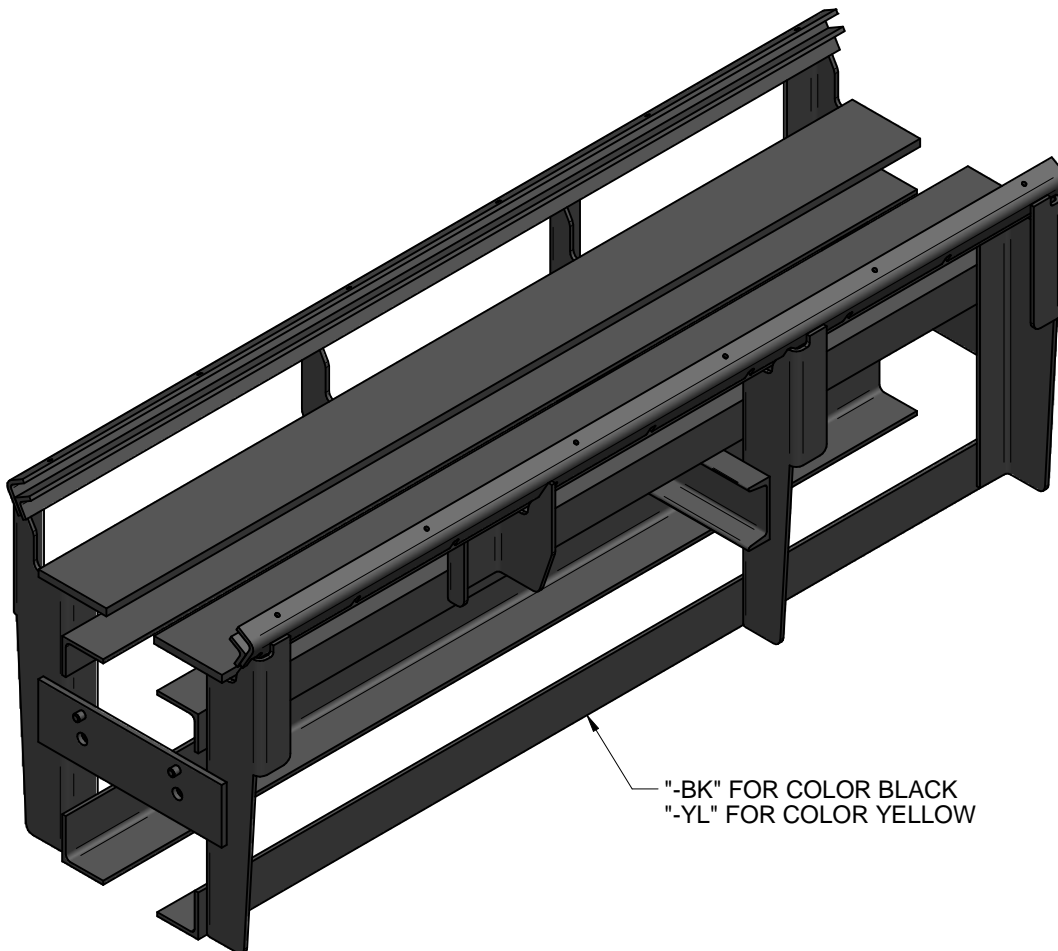
44-M15-00-000-BK ENTRANCE PARTS LIST

REF.	DESCRIPTION	PART NUMBER	QTY
30	LOCK WASHER 3/8" SS	80-906-000-SI	4
31	LOCK WASHER SS 1/2"	80-908-000-SI	12
32	HHCS SS 1/4"-20 x 1-1/2"	82-504-024-SIC	2
33	HHCS SS 3/8"-16 X 1"	82-506-016-SIC	4
34	HHCS SS 7/16"-14 x 3"	82-507-048-SIC	8
35	HHCS SS 1/2"-13 x 2"	82-508-032-SIC	4
36	M12-1.25 x 75mm DIN 960 CLASS 8.8 ZINC CAP SCREW	82-509-075-SMF	4
37	SHCS SS 3/8-16 X 1-1/4"	82-706-020-SIC	4
38	SCREW PHL PAN-HD SS #8-32 x 1"	83-508-016-SNC	1
39	SCREW PHL PAN-HD SS #8-32 x 1 1/2"	83-508-024-SNC	1
40	NUT SS 7/16"-20	84-007-000-SIF	2
41	NUT SS NYLOCK 1/4"-20	85-004-000-SIC	2
42	NYLOCK NUT SS 7/16"-14	85-007-001-SIC	12
43	NUT SS NYLOCK 1/2"-13	85-008-000-SIC	4
44	NUT SS NYLOCK #8-32	85-008-320-SIC	2
45	SPACER NYLON 1/2"DIA x 1/4" SP217	89-008-004-NI	1
46	CYLINDER AIR 1-1/2" BORE X 2" STROKE	90-100-11-PP	2
47	SWITCH REED D-B53L 24VDC	90-150-01-PP	2
48	PIVOT BRKT SS c/w PIN & CLIP BP-19CSS	90-174-00-PP	2
49	SUC205-16 TAPPED BASE BEARING	90-196-03-PP	2

44-M15-00-000-BK ENTRANCE SIDE VIEW

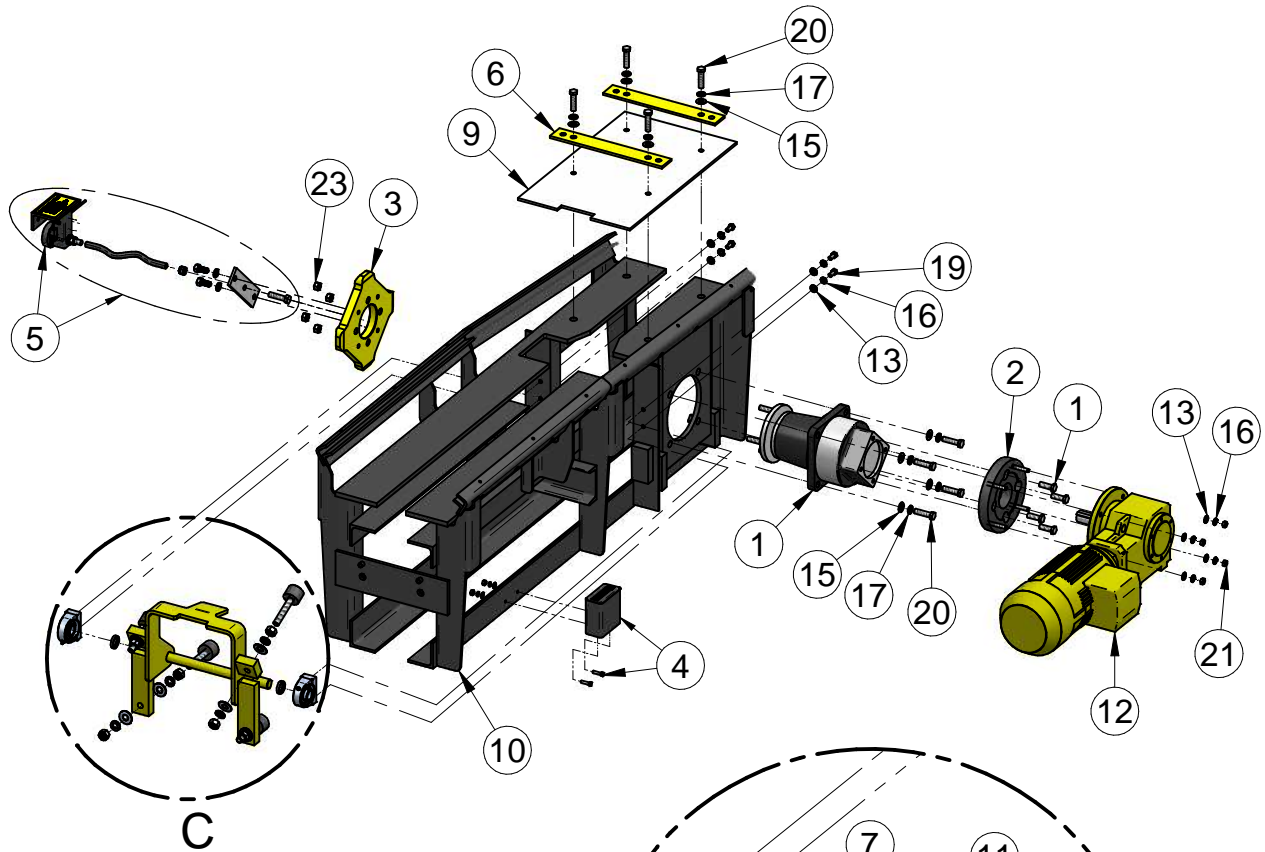


44-M25-01-000-BK INTERMEDIATE SIDE VIEW

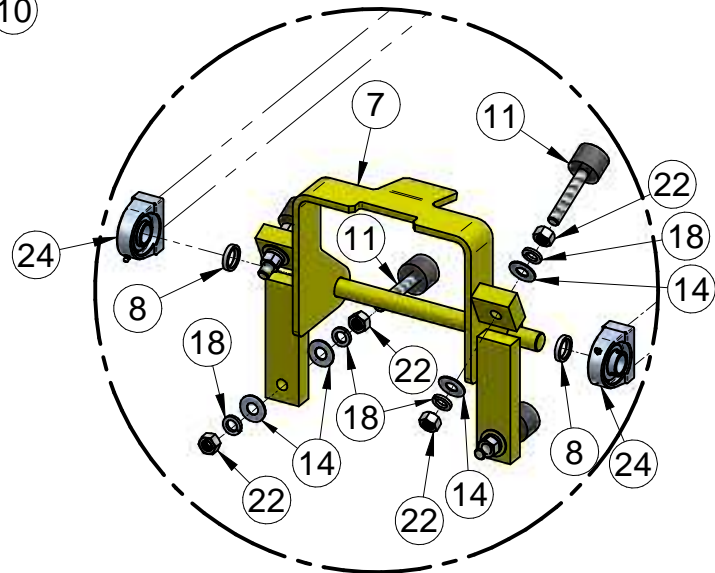
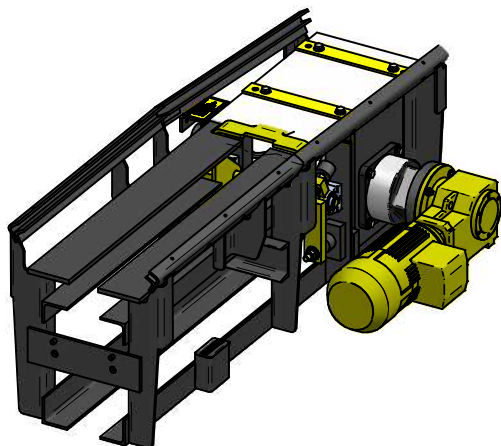


OPTIONAL LENGTH	
DESCRIPTION	PART NUMBER
INTERMEDIATE FRAME 5FT , BLK	44-M25-01-000-BK
INTERMEDIATE FRAME 6FT , BLK	44-M26-01-000-BK
INTERMEDIATE FRAME 7FT , BLK	44-M27-01-000-BK
INTERMEDIATE FRAME 8FT , BLK	44-M28-01-000-BK
INTERMEDIATE FRAME 9FT , BLK	44-M29-01-000-BK
INTERMEDIATE FRAME 10FT , BLK	44-M20-01-000-BK

44-M40-00-000-BK EXIT ELECTRIC EXPLOSION



44-M40-00-000-BK EXIT ELECTRIC SIDEVIEW

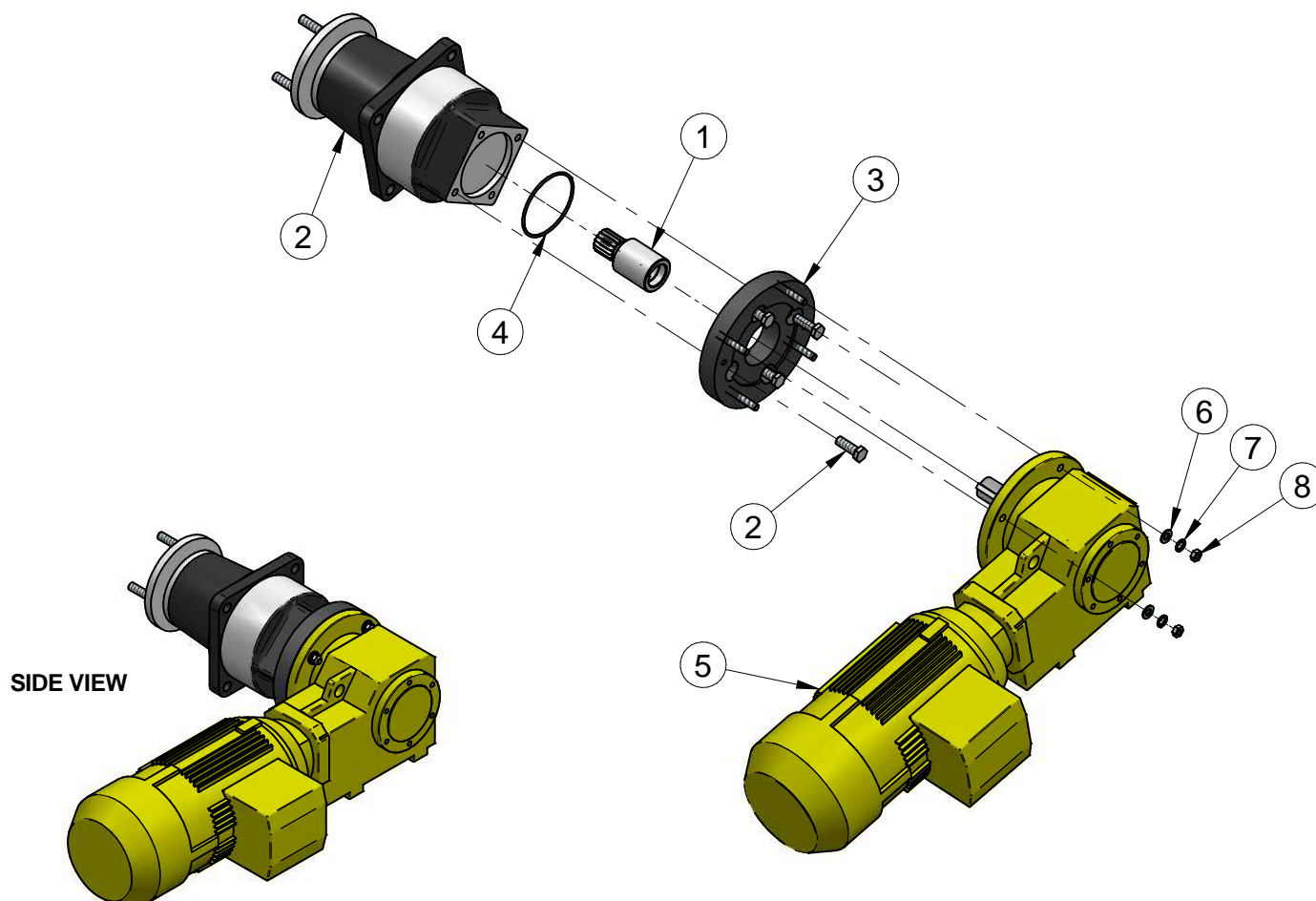


DETAIL C

44-M40-00-000-BK EXIT ELECTRIC PARTS LIST

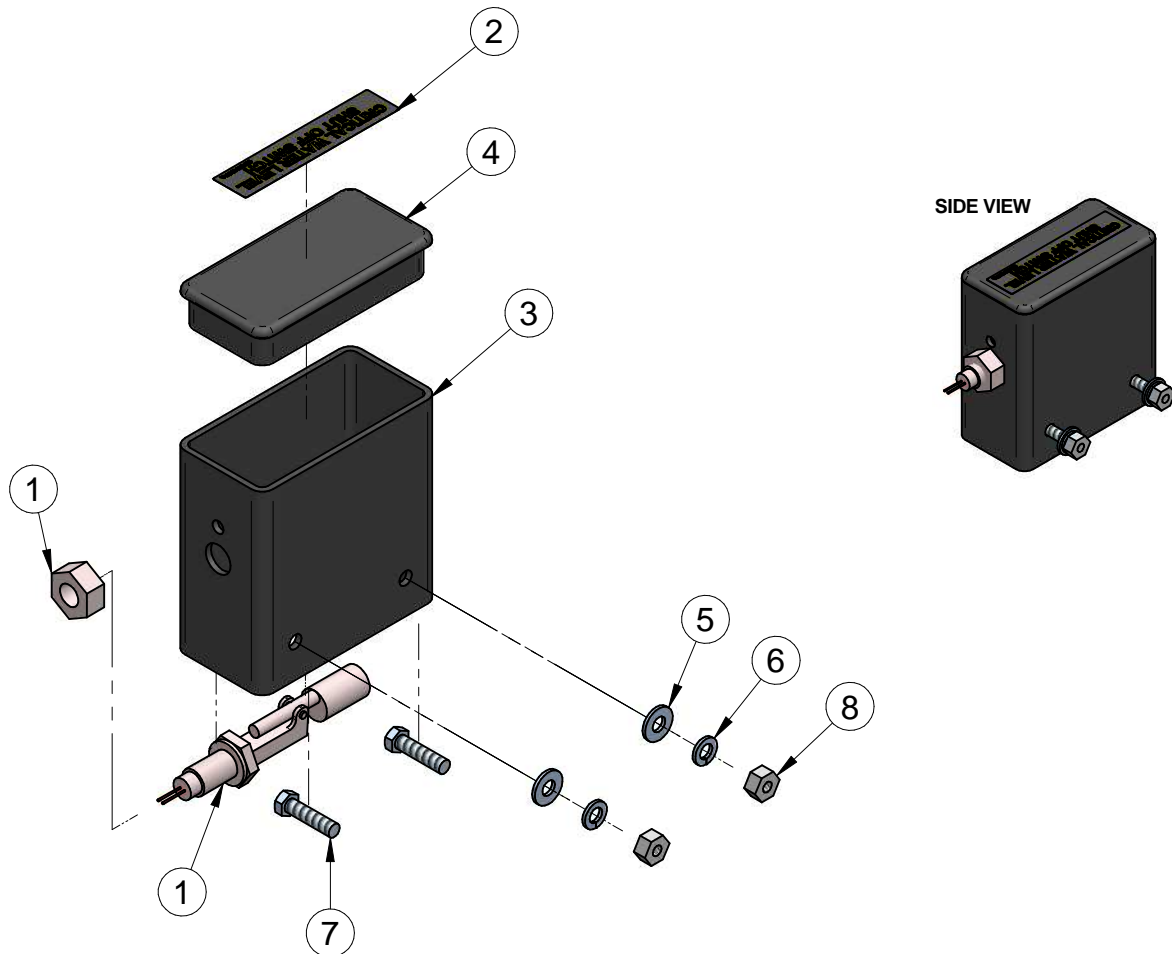
REF.	DESCRIPTION	PART NUMBER	QTY
1	GEAR REDUCER (ELEC) - SUN GEAR for 16H (205)	44-010-02-PP	1
2	3HP FLANGE ADAPTER WITH STUDS	44-011-14-MP	1
3	DRIVE SPROCKET	44-015-00-YL	1
4	CRITICAL WATER LEVEL SWITCH ASS'Y	44-200-00-MP	1
5	ROTARY ENCODER KIT (53L)	44-584-00-MP	1
6	BELT ANCHOR STRAP	44-M15-12-000-YL	2
7	RETURN DOOR WELDMENT	44-M35-02-000-YL	1
8	RETURN DOOR SPACER	44-M35-02-008	2
9	EXIT COVER PLATE	44-M35-03-000	1
10	EXIT FRAME - PIT-SIDE-MOTOR (BLK)	44-M45-01-000-BK	1
11	BUMPER STOP 5/8"-11 x 4" UNC	53-111-00-PP	4
12	MOTOR ELECTRIC - FLENDER 3 HP COMPLETE	70-700-23-PP	1
13	WSHR SS FLT 3/8" .071-.082THK .75"OD/.406"ID	80-106-000-SI	8
14	FLAT WASHER 5/8" SS	80-110-000-SI	8
15	WASHER FLAT 1/2" SS	80-208-000-SI	8
16	LOCK WASHER 3/8" SS	80-906-000-SI	8
17	LOCK WASHER SS 1/2"	80-908-000-SI	8
18	LOCK WASHER 5/8" SS	80-910-000-SI	8
19	HHCS SS 3/8"-16 X 3/4"	82-506-012-SIC	4
20	HHCS SS 1/2"-13 x 2"	82-508-032-SIC	8
21	NUT SS 3/8"-16	84-006-000-SIC	4
22	NUT SS 5/8"-11	84-010-000-SIC	8
23	NUT PL STOVER 1/2"-20	84-308-000-ZIF	4
24	SUC205-16 TAPPED BASE BEARING	90-196-03-PP	2

ELECTRIC MOTOR EXPLOSION & PARTS LIST



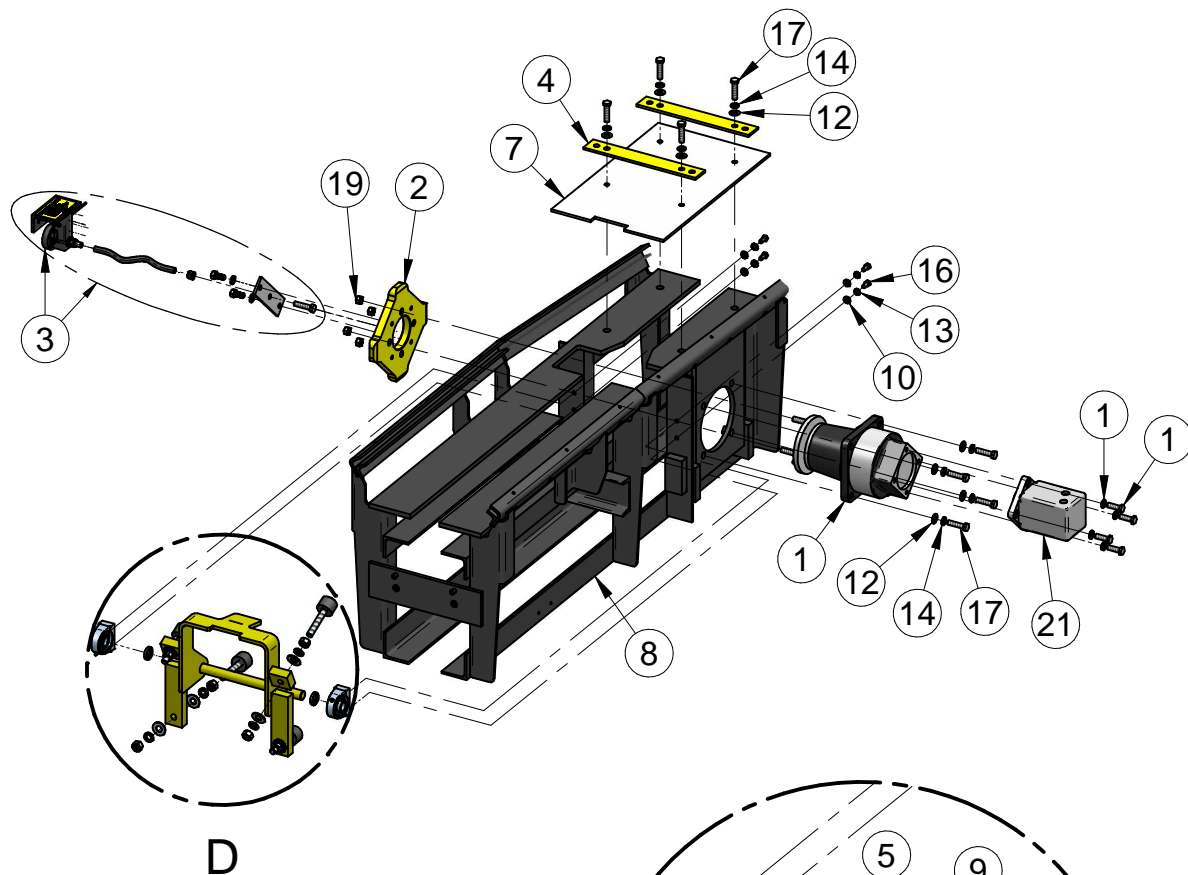
REF.	DESCRIPTION	PART NUMBER	QTY
1	PARTS ORDER GEAR KIT, SUN 16H 245	44-009-05-PP	1
2	GEAR REDUCER (ELEC) - SUN GEAR for 16H (205)	44-010-02-PP	1
3	3HP FLANGE ADAPTER WITH STUDS	44-011-14-MP	1
4	HYD MOTOR O-RING 3" NOM.	44-118-00-PP	1
5	MOTOR ELECTRIC - FLENDER 3 HP COMPLETE	70-700-23-PP	1
6	WSHR SS FLT 3/8" .071-.082THK .75"OD/.406"ID	80-106-000-SI	4
7	LOCK WASHER 3/8" SS	80-906-000-SI	4
8	NUT SS 3/8"-16	84-006-000-SIC	4

44-200-00-MP CRITICAL LEVEL SWITCH EXPLOSION & PARTS LIST

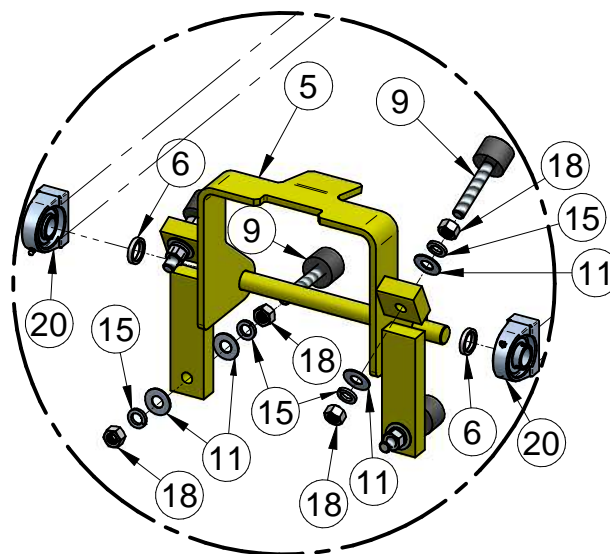
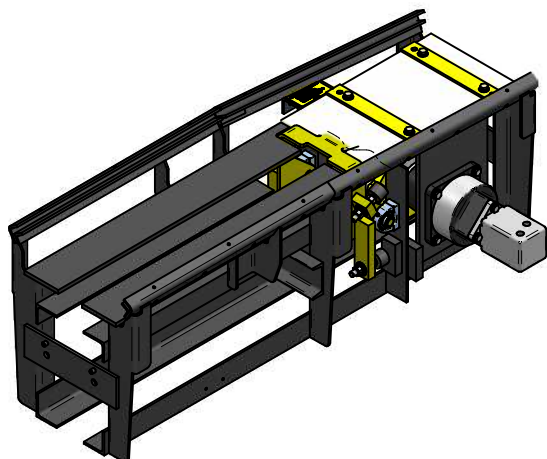


REF.	DESCRIPTION	PART NUMBER	QTY
1	TANK CRITICAL LEVEL SWITCH	16-023-00-PP	1
2	LOW LEVEL SWITCH HOUSING DECAL	36-044-16-PP	1
3	CRITICAL LEVEL SWITCH HOUSING	44-200-01-BK	1
4	END CAP 2" x 4"	44-200-02-PP	1
5	WSHR SS FLAT 1/4" (0.056"/0.063"THK)	80-104-000-SI	2
6	WSHR SS LOCK 1/4"	80-904-000-SI	2
7	HHCS SS 1/4"-20 x 1"	82-504-016-SIC	2
8	NUT SS 1/4"-20	84-004-000-SIC	2

44-M45-00-000-BK EXIT HYDRAULIC EXPLOSION



44-M45-00-000-BK EXIT HYDRAULIC SIDE VIEW

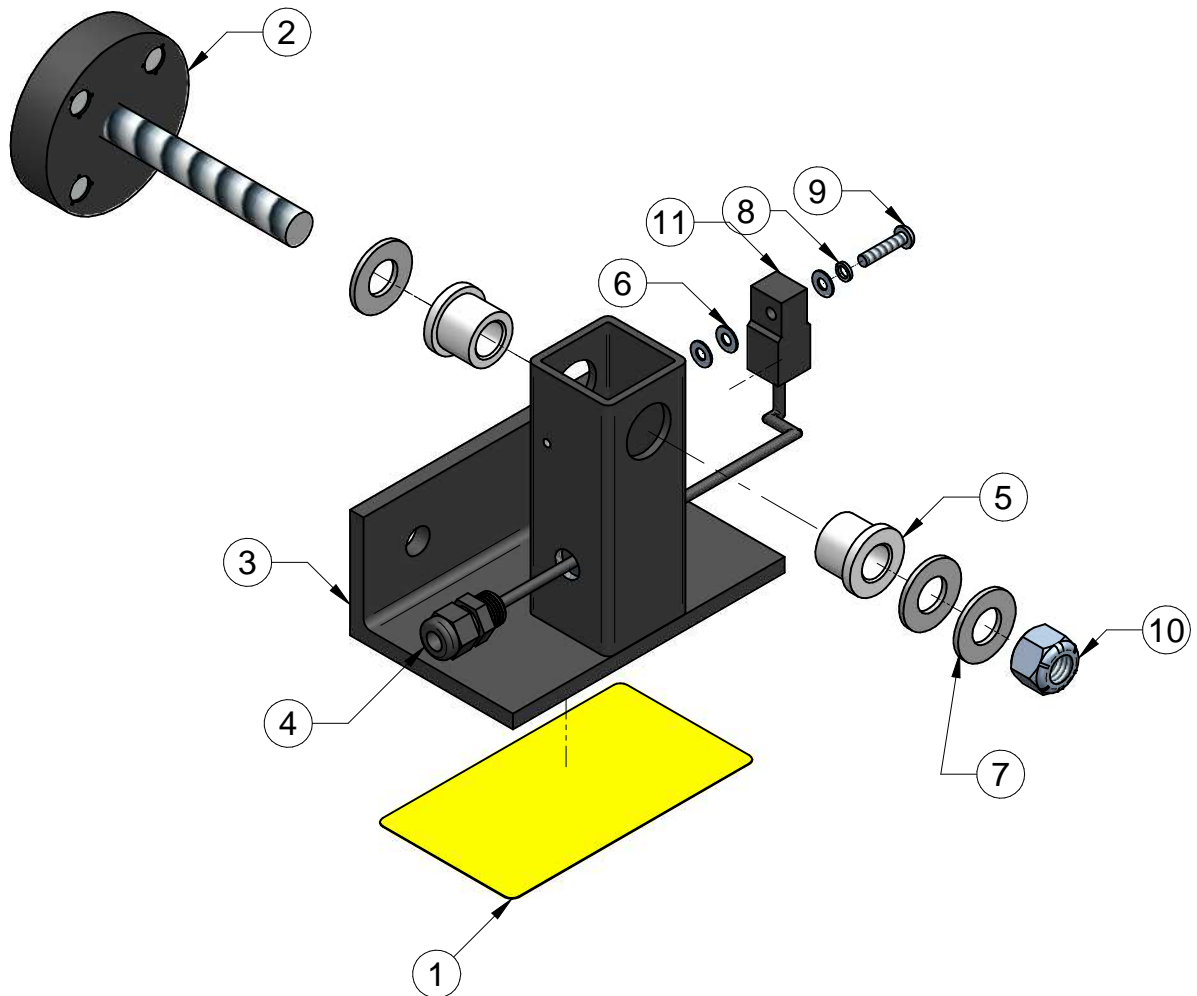


DETAIL D

44-M45-00-000-BK EXIT HYDRAULIC PARTS LIST

REF.	DESCRIPTION	PART NUMBER	QTY
1	GEAR REDUCER (HYD) - SUN GEAR for 16E (205)	44-010-01-PP	1
2	DRIVE SPROCKET	44-015-00-YL	1
3	ROTARY ENCODER KIT (53L)	44-584-00-MP	1
4	BELT ANCHOR STRAP	44-M15-12-000-YL	2
5	RETURN DOOR WELDMENT	44-M35-02-000-YL	1
6	RETURN DOOR SPACER	44-M35-02-008	2
7	EXIT COVER PLATE	44-M35-03-000	1
8	EXIT FRAME - PIT-SIDE-MOTOR (BLK)	44-M45-01-000-BK	1
9	BUMPER STOP 5/8"-11 x 4" UNC	53-111-00-PP	4
10	WSHR SS FLT 3/8" .071-.082THK .75"OD/.406"ID	80-106-000-SI	4
11	FLAT WASHER 5/8" SS	80-110-000-SI	8
12	WASHER FLAT 1/2" SS	80-208-000-SI	8
13	LOCK WASHER 3/8" SS	80-906-000-SI	4
14	LOCK WASHER SS 1/2"	80-908-000-SI	8
15	LOCK WASHER 5/8" SS	80-910-000-SI	8
16	HHCS SS 3/8"-16 X 3/4"	82-506-012-SIC	4
17	HHCS SS 1/2"-13 x 2"	82-508-032-SIC	8
18	NUT SS 5/8"-11	84-010-000-SIC	8
19	NUT PL STOVER 1/2"-20	84-308-000-ZIF	4
20	SUC205-16 TAPPED BASE BEARING	90-196-03-PP	2
21	MOTOR HYD 106-1014 19CU.IN	95-100-02-PP	1

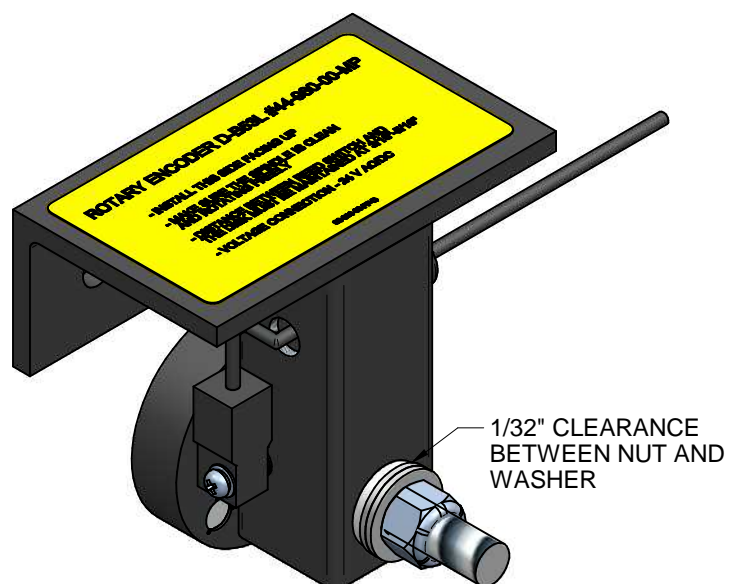
44-980-00-MP ROTARY ENCDR EXPLOSION



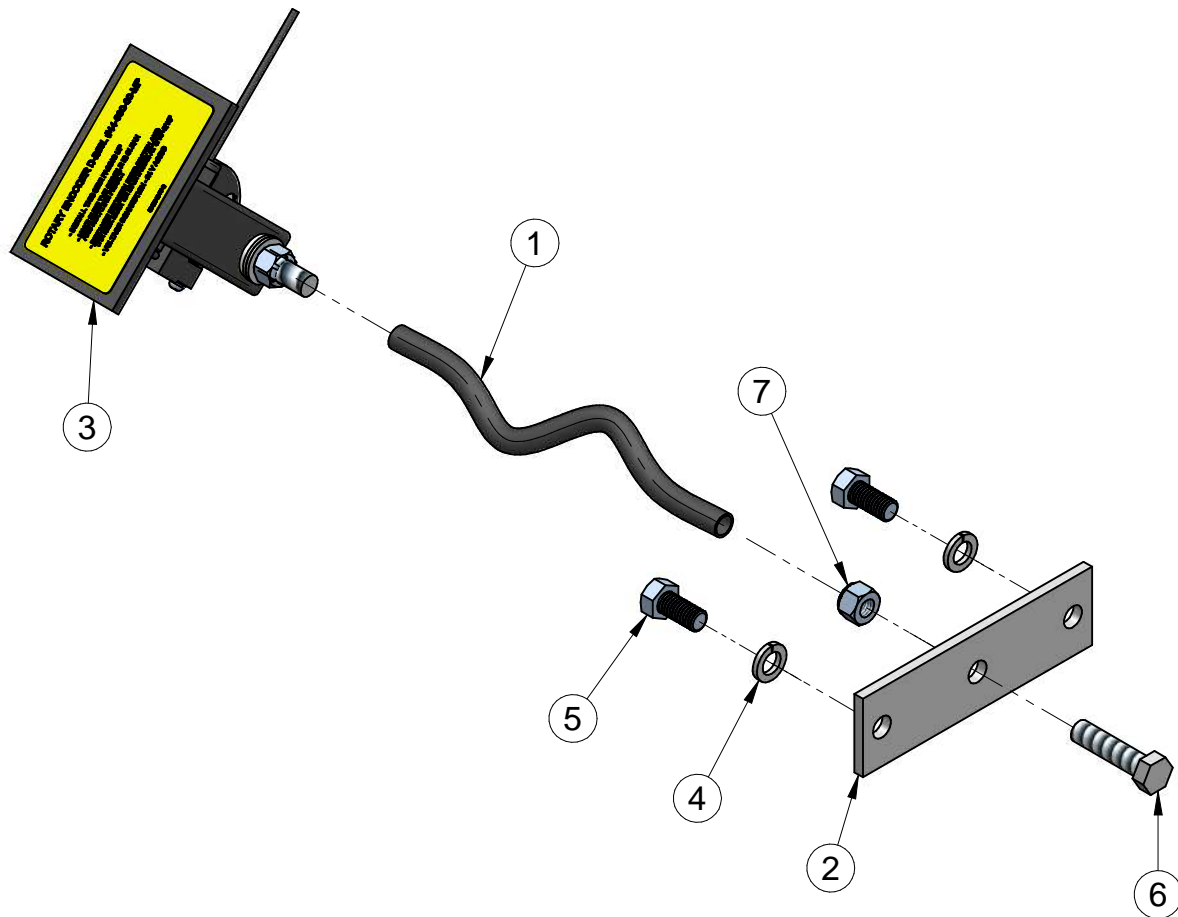
44-980-00-MP ROTARY ENCDR PARTS LIST

REF.	DESCRIPTION	PART NUMBER	QTY
1	ROTARY ENCODER LABEL D-B53L	36-980-00-PP	1
2	ROTARY ENCODER FOUR MGNET DISK ASSY	44-580-00-PP	1
3	ROTARY ENCODER BODY - BK	44-582-00-BK	1
4	STRAIN RELIEF 1/4", c/w nut 3207	44-584-08-PP	1
5	ROTARY ENCODER BUSHING	44-587-00-PP	2
6	FLAT WASHER SS #8	80-108-000-SN	3
7	WASHER FLAT 1/2" SS	80-208-000-SI	3
8	LOCK WASHER SS #8	80-908-000-SN	1
9	SCREW PHL PAN-HD SS #8-32 x 3/4"	83-508-012-SNC	1
10	NUT SS NYLOCK 1/2"-13	85-008-000-SIC	1
11	SWITCH REED D-B53L 24VDC	90-150-01-PP	1

44-980-00-MP ROTARY ENCDR SIDE VIEW

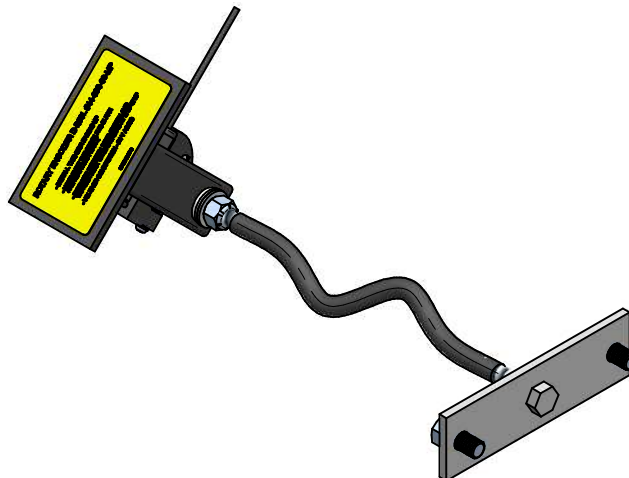


44-584-00-MP ROTARY ENCODER KIT EXPLOSION

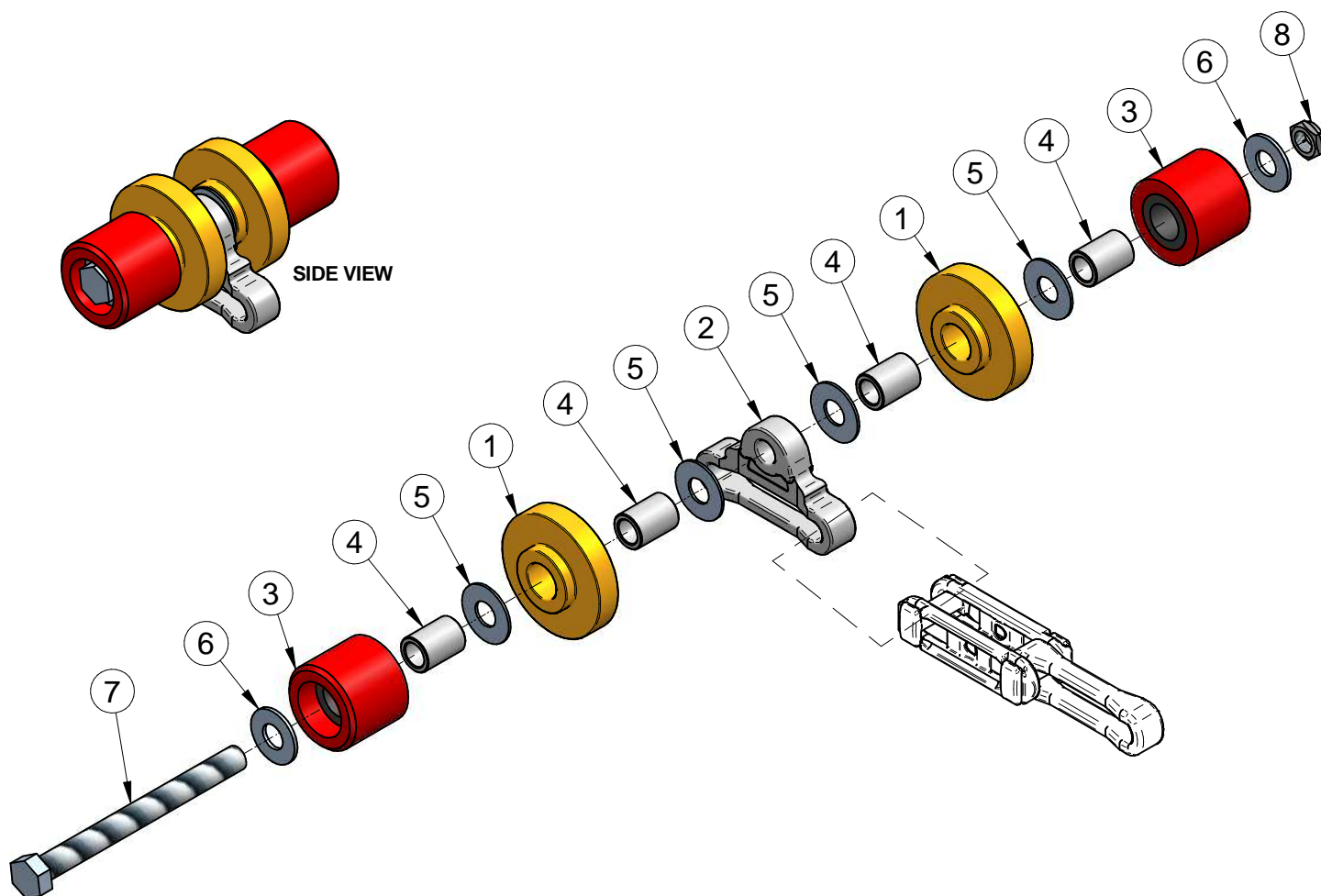


44-584-00-MP ROTARY ENCODER KIT PARTS LIST

REF.	DESCRIPTION	PART NUMBER	QTY
1	HOSE 0.375" DRIVEWAY SIGNAL -- 36"	33-042-00-6BK	1
2	ROTARY ENCODER SPRKT. PLT.	44-585-00-MP	1
3	ROTARY ENCODER ASS'Y D-B53L	44-980-00-MP	1
4	LOCK WASHER SS 1/2"	80-908-000-SI	2
5	HHCS SS 1/2-13 x 1"	82-508-016-SIC	2
6	1/2"-13x2" SS HH CAP SCREW FLTD	82-608-032-SIC	1
7	NUT SS NYLOCK 1/2"-13	85-008-000-SIC	1

44-584-00-MP ROTARY ENCODER KIT SIDE VIEW

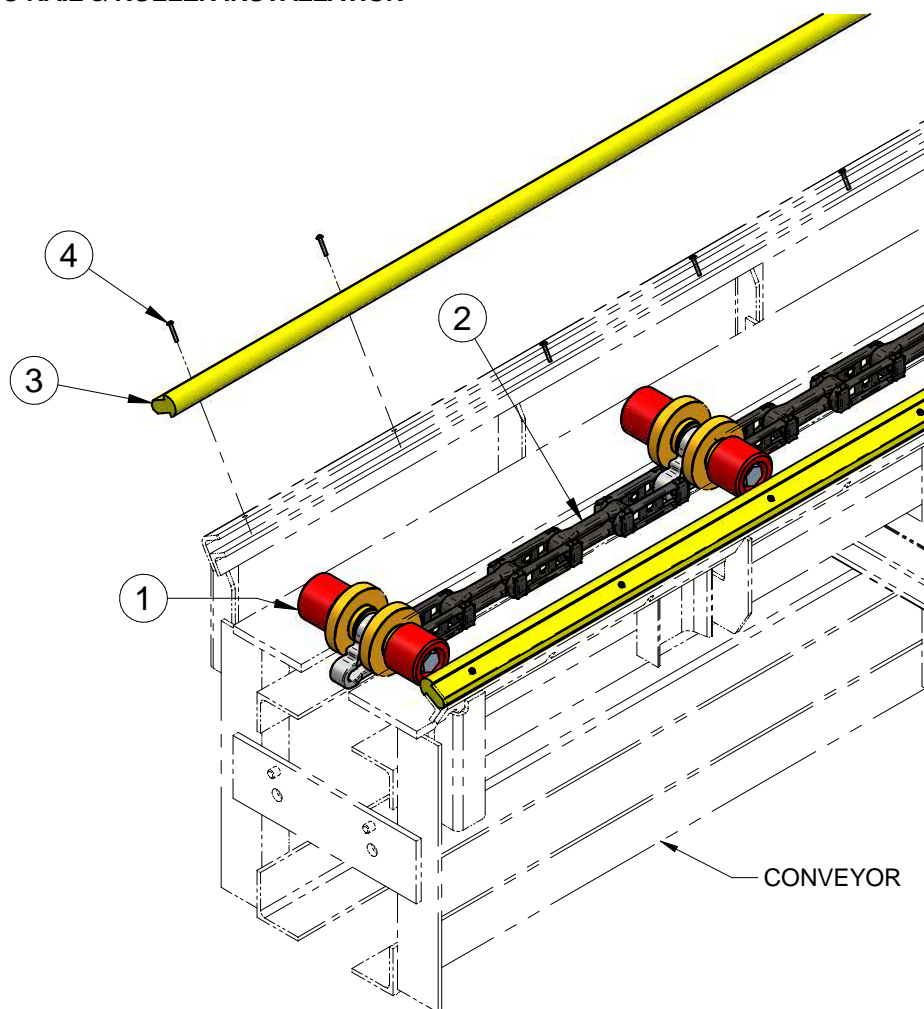
44-060-00-MP ROLLER EXPLOSION



44-060-00-MP ROLLER PARTS LIST

REF.	DESCRIPTION	PART NUMBER	QTY
1	WHEEL PUSHER - YELLOW	44-063-00-PP	2
2	ROLLER ASSEMBLY LUG- FORGED	44-161-00-PP	1
3	ROLLER OUTRIGGER WHEEL RED	44-162-00-PP	2
4	BUSHING AXLE ID 0.758" OD 1.12"	44-268-00-PP	4
5	WSHR SS FLAT SHIM 3/4" (OD1.872"xID0.812"xTHK0.08")	80-512-000-SI	4
6	WSHR SS FLAT THRUST 3/4"	80-612-000-SI	2
7	HHCS PL 3/4"-16 X 8" AXEL BOLT	82-512-128-ZIF	1
8	NUT PL FLEXTYPE JAM LOCK 3/4"-16	85-212-000-ZIF	1

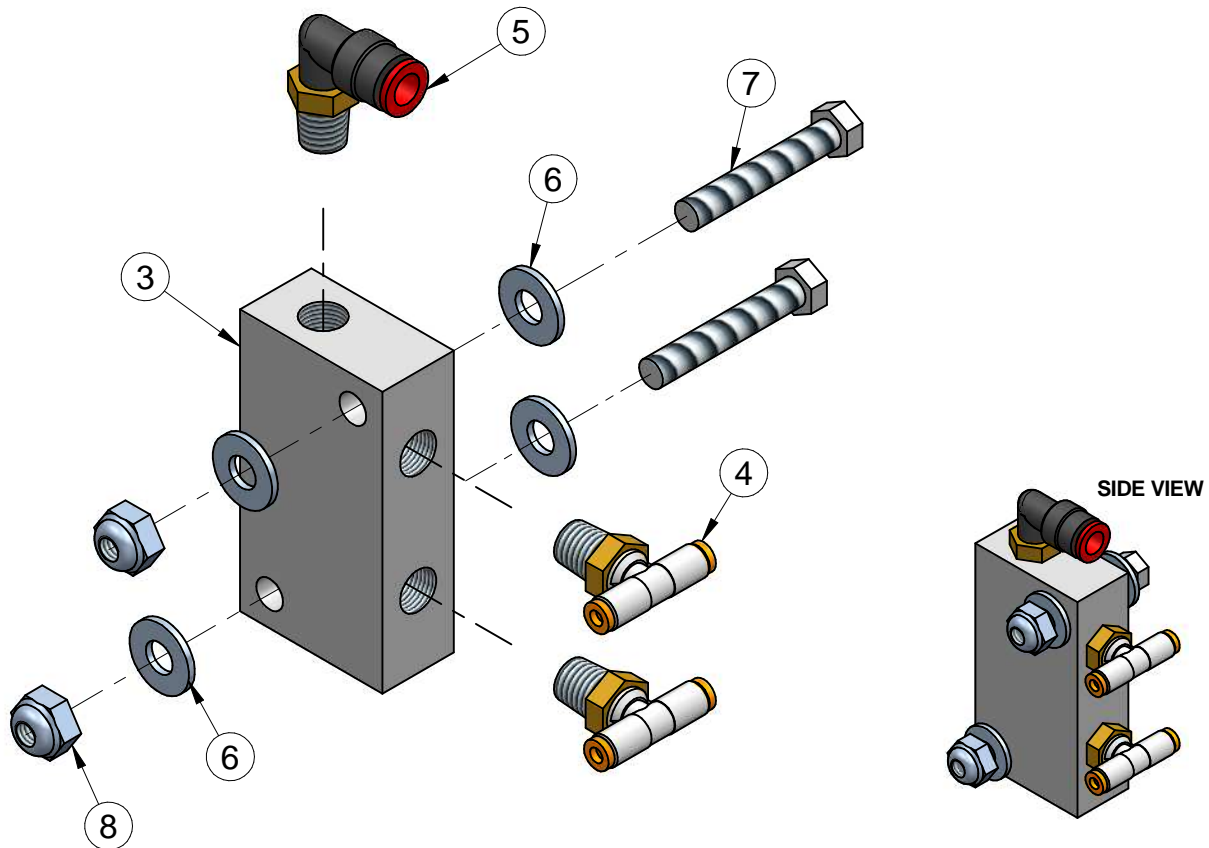
PLASTIC RAIL & ROLLER INSTALLATION



PLASTIC RAIL & ROLLER PARTS LIST

REF.	DESCRIPTION	PART NUMBER
1	ROLLER ASSEMBLY COMPLETE-RED	44-060-00-MP
2	CONVEYOR CHAIN FORGED w/RUST INHIBITING OIL	44-067-00-PP
3	MUSHROOM PROFILE RAIL 10FT	44-M00-02-005
4	SCRW SELF-TAPPING SS 1/4-20 x 1.000	83-004-016-SIC

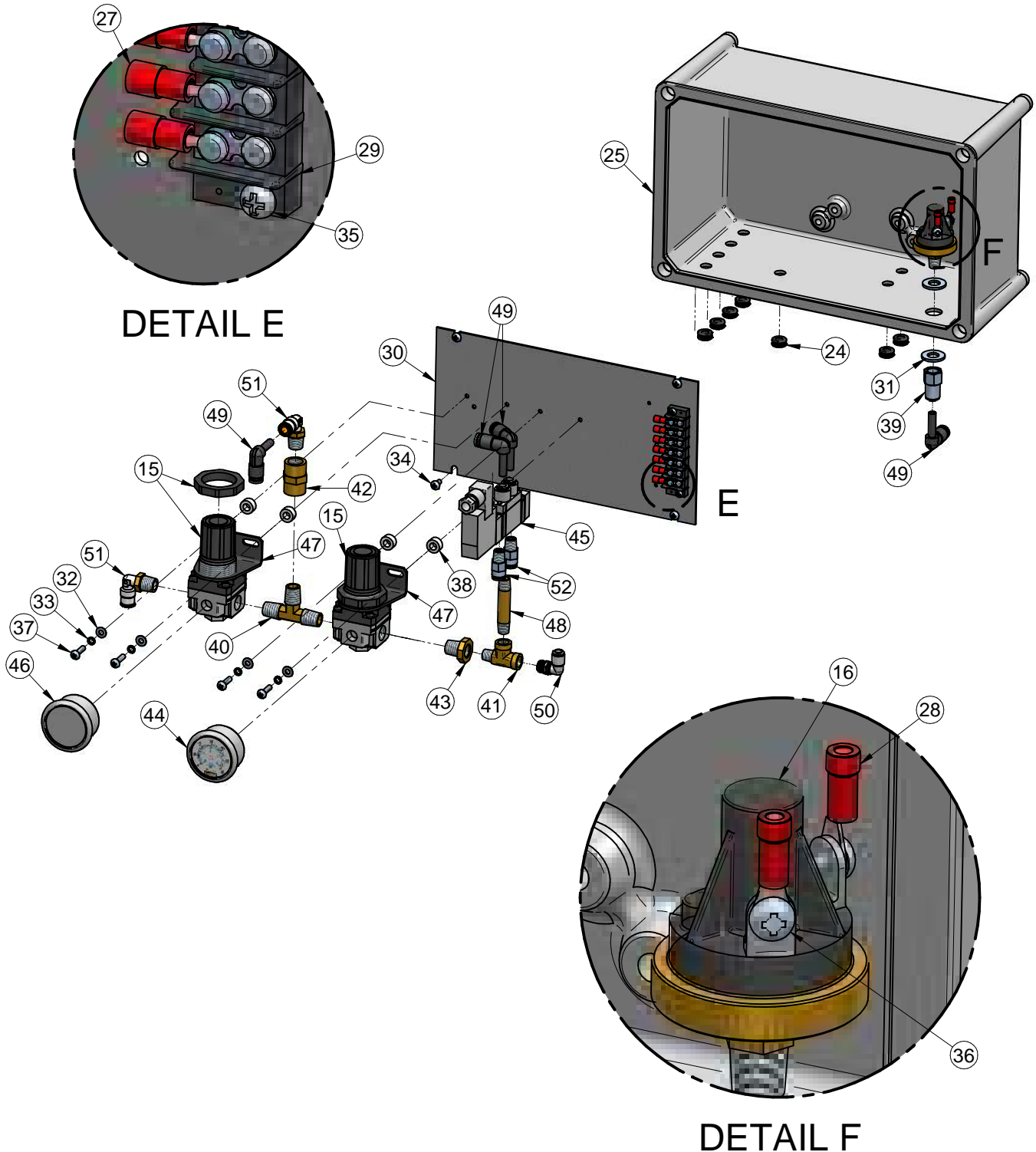
44-950-00-MP AIR MANIFOLD KIT EXPLOSION & PARTS LIST



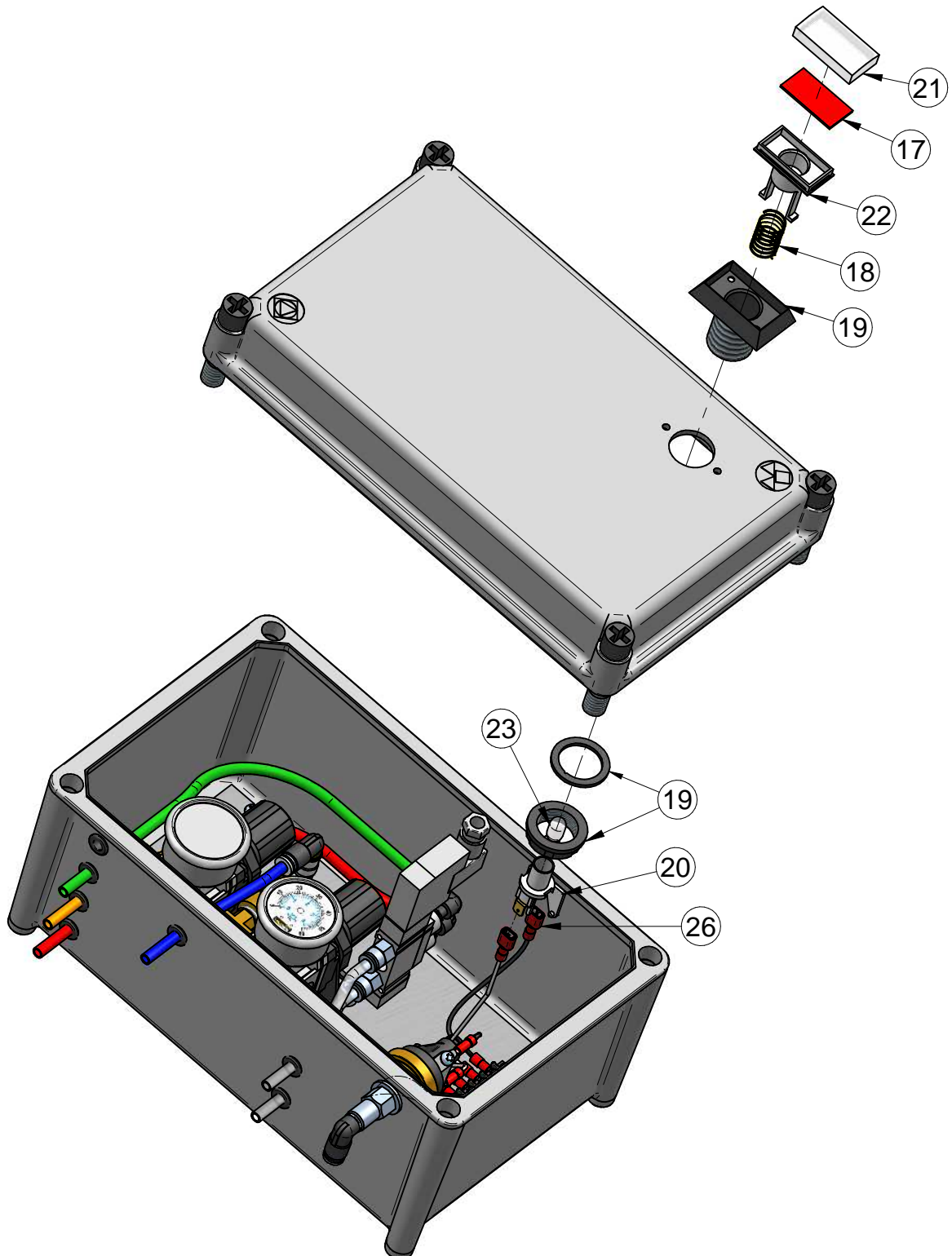
REF.	DESCRIPTION	PART NUMBER	QTY
1*	TUBE NY CLR .125"OD. 12' (144")	33-361-20-2CL	1
2*	TUBE NY ORG .250"OD PA11. 33' (396")	33-361-20-4OR	1
3	AIR MANIFOLD BLOCK	44-036-01-MP	1
4	FTG TEE 1/8"TBE-1/8"NPT KJT01-34S	44-136-00-PP	2
5	FTG, 90 deg SWIVEL ELBOW 1/4" TBE, 1/8"NPT	44-158-00-PP	1
6	WSHR SS FLAT 1/4" (0.056"/0.063"THK)	80-104-000-SI	4
7	HHCS SS 1/4"-20 x 1-1/2"	82-504-024-SIC	2
8	NUT SS NYLOCK 1/4"-20	85-004-000-SIC	2

NOTE: TUBE NOT SHOWN

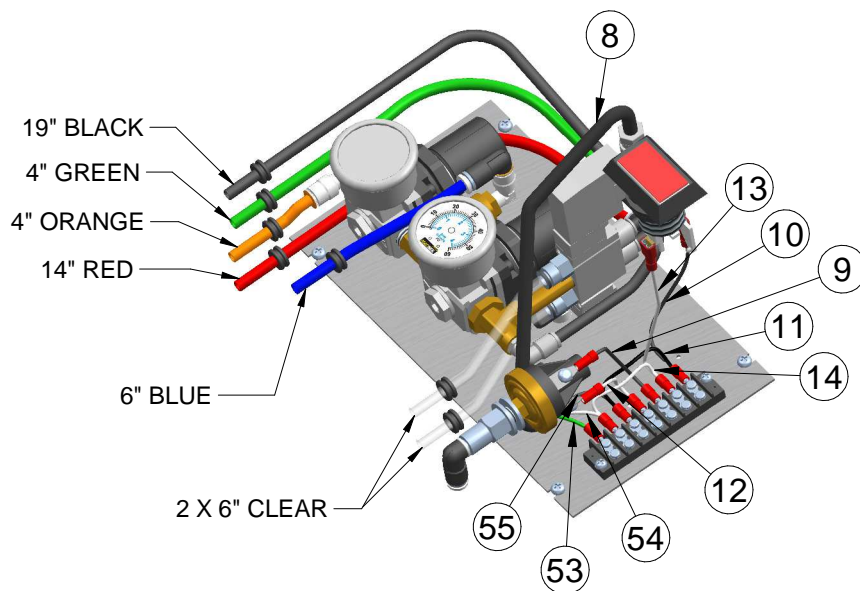
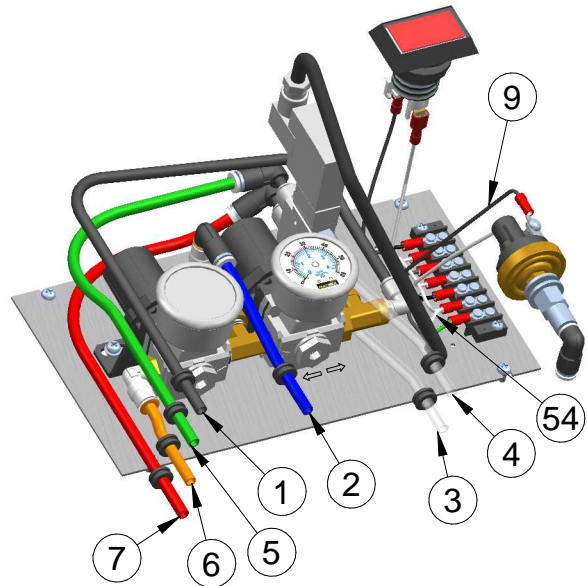
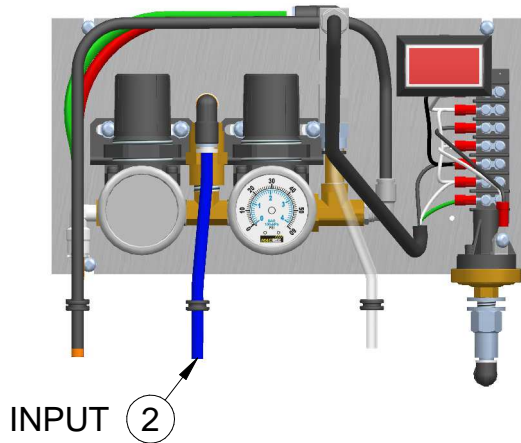
44-560-00-MP LCI CONTROL BOX EXPLOSION



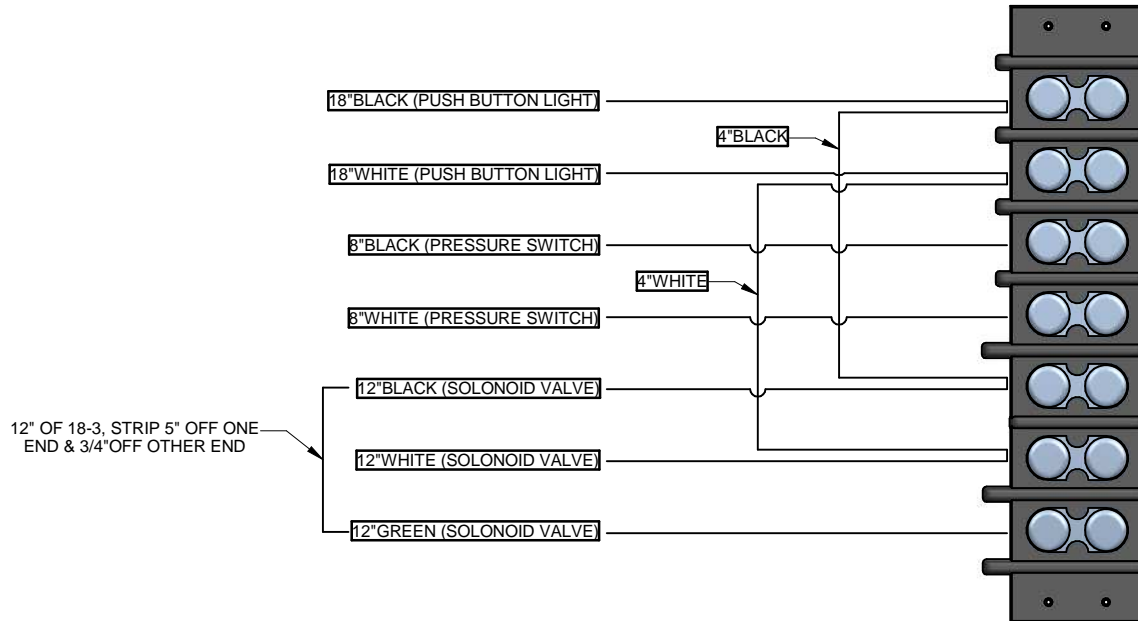
44-560-00-MP LCI CONTROL BOX EXPLOSION



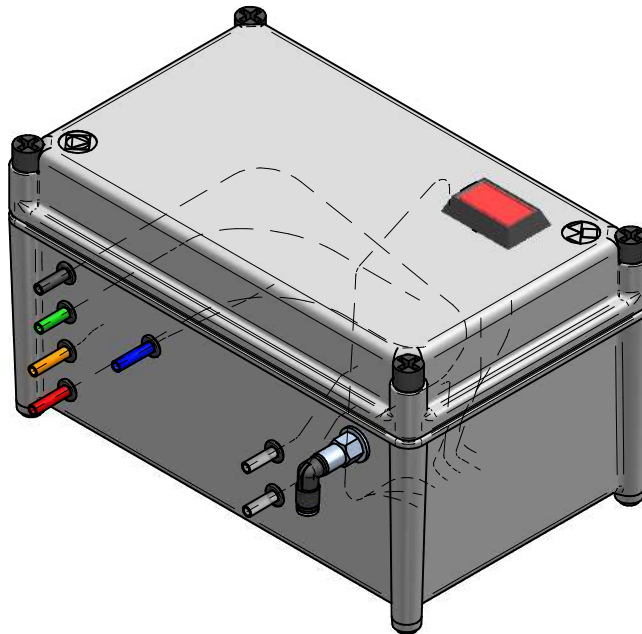
44-560-00-MP LCI CONTROL BOX TUBING & WIRING



44-560-00-MP LCI CONTROL BOX INTERNAL WIRING DIAGRAM



44-560-00-MP LCI CONTROL BOX SIDE VIEW



44-560-00-MP LCI CONTROL BOX PARTS LIST

REF.	DESCRIPTION	PART NUMBER	QTY
1	TUBE NYLON 1/4" BLACK (OUTPUT TO AUXILIARY BOX)	33-361-20-4BK	1
2	TUBE NYLON 1/4" BLUE (INPUT)	33-361-20-4BU	1
3	TUBE NYLON 1/4" CLEAR 5" (EXHAUST-B)	33-361-20-4CL	1
4	TUBE NYLON 1/4" CLEAR 5" (EXHAUST-A)	33-361-20-4CL	1
5	TUBE NYLON 1/4" GREEN (OUTPUT-A)	33-361-20-4GN	1
6	TUBE NYLON 1/4" ORANGE (OUTPUT TO SHOCK ABSORBER)	33-361-20-4OR	1
7	TUBE NYLON 1/4" RED (OUTPUT-B)	33-361-20-4RD	1
8	18GA 3-STRAND WIRE (12") GREEN, BLACK & WHITE	33-600-41-5BK	1
9	WIRE 18GA 16-STRAND BLACK (30")	33-600-42-0BK	1
10	WIRE 18GA 16-STRAND BLACK (30")	33-600-42-0BK	1
11	WIRE 18 GA 16-STRAND BLACK x 30"	33-600-42-0BK	1
12	WIRE 18 GA 16-STRAND WHITE (30")	33-600-42-0WT	1
13	WIRE 18GA 16-STRAND WHITE (30")	33-600-42-0WT	1
14	WIRE 18 GA 16-STRAND WHITE (30")	33-600-42-0WT	1
15	AIR REGULATOR 1/4FPT NAR2000 NO2	44-101-01-PP	2
16	PRESSURE SWITCH HOBBS	44-128-00-PP	1
17	LEGEND PLATE 905316-2.5	44-525-01-PP	1
18	SPRING 1"Lg X Dia0.55, #905306-2	44-525-02-PP	1
19	BEZEL, NUT & WASHER ASSEMBLY	44-525-03-PP	1
20	LIGHT HOLDER / TERMINALS ASS'Y 404868-1	44-525-04-PP	1
21	LENS CAP 905311-8.5	44-525-05-PP	1
22	PLUNGER 905321.6	44-525-06-PP	1
23	LIGHT BULB 24V #905305-5	44-544-00-PP	1
24	RUBBER GROMMET	44-561-11-PP	7
25	LCI CONTROL BOX	44-565-00-MP	1
26	QUICK DSCNCT 1/4"FEM TOTL INS 2216T-250	70-011-00-PP	2
27	CNCTR RING TERMINAL M3 22-16AWG FVL2216-M3	70-015-00-PP	7

44-560-00-MP LCI CONTROL BOX PARTS LIST

REF.	DESCRIPTION	PART NUMBER	QTY
28	RING TERMINAL CONNECTOR #8 22-18	70-015-01-PP	2
29	TERMINAL STRIP CINCH 7-140	70-060-00-PP	1
30	BACKING PLATE - MACHINED	70-211-00-MP	1
31	WSHR SS FLT 3/8" .071-.082THK .75"OD/.406"ID	80-106-000-SI	2
32	FLAT WASHER SS #8	80-108-000-SN	4
33	LOCK WASHER SS #8	80-908-000-SN	4
34	SCREW SS PHL MACHINE M4x8mm	83-504-008-SMC	4
35	SCRW SS PAN-HD PHL #6-32 x 3/8"	83-506-006-SNC	2
36	SCREW PHL PAN-HD SS #8-32 x 1/4"	83-508-004-SNC	2
37	SCREW PHL PAN-HD SS #8-32 x 5/8"	83-508-010-SNC	4
38	SPACER NYLON 1/2"DIA x 1/4" SP217	89-008-004-NI	4
39	FTG BLKHD STRT AIR 1/8"FPT-/4"TBE (PMF-1/4N1U)	90-005-04-PP	1
40	BRASS FORGED TEE 1/4" FPT	90-010-04-PP	1
41	TEE FORGED BRASS 1/8FPT X 1/8FPT X 1/8MPT (107-A)	90-015-02-PP	1
42	BRASS CPLR 1/4 FPT 103-B	90-022-01-PP	1
43	BUSHING REDUCER 1/4" MNPT-1/8" FNPT BR 110-BA	90-030-00-PP	1
44	GAUGE AIR 0-60 PSI BACK MOUNT 1/8MPT MWS	90-060-00-PP	1
45	VALVE SOLENOID 24VAC W/PLUG 120-BDZ-N7T	90-141-31-PP	1
46	AIR GAUGE 0-160 PSI	90-160-00-PP	1
47	MTG BRKT FOR REGULATOR 0-30PSI AR270AS	90-170-01-PP	2
48	FTG NIPPLE LONG 1/8"NPT x 1-1/2" 113-A1-1/2	90-208-15-PP	1
49	FTG ELB 1/4"TBE-SOCKET PLJ1/4	90-222-00-PP	4
50	FTG ELB SWV 1/4"TBE-1/8"MPT	90-223-02-PP	1
51	FTG ELB SWV 1/4"TBE-1/4"MPT	90-223-06-PP	2
52	TUBE CONNECTOR 1/4", 1/8"NPT	90-230-05-PP	2
53	WIRE 18GA 3STND GREEN (12"FROM 33-600-41-5BK)	SE 33-600-41-5BK	1
54	WIRE 18GA 3STND WHITE (12"FROM 33-600-41-5BK)	SEE 33-600-41-5BK	1
55	WIRE 18GA 3STND BLACK (12"FROM 33-600-41-5BK)	SEE 33-600-41-5BK	1