



XT100 SERIES: NTC, PTC, Pt100, TcJ, TcK, TcS, 4÷20mA, 0÷1V, 0÷10V MULTI-PROBE CONTROLLERS – SERIAL OUTPUT

- Universal controllers to manage temperature, humidity and pressure in both the industrial and commercial applications
- Stock optimization: thanks to the multi-probe inputs
- 1 or 2 stage ON/OFF or PID with direct or reverse action
- Temperature inputs: PTC, NTC, Pt100; thermocouple J, K or S by selecting the parameters
- Pressure or humidity inputs: 4÷20mA, 0÷1V or 0÷10V by selecting the parameters
- Direct line power supply. No external transformer required
- Display with integrated measurement unit (°C / °F / RH / bar / PSI)
- Standard communication protocol ModBUS-RTU
- Hot key or Prog tool kit connector for a quick and easy programming
- 3VA max power absorption
- Display with red LED (10,5 mm high) and 5 icons

HOW TO ORDER

XA100 [X][A][1][0][0][C][][-][A][B][0][D][U]

XT100 [X][T][1][][][][-][A][B][C][D][U]

For blue display please contact Dixell

A	B	C	D
Power supply	Measurement unit	Buzzer	SSR
0 = 12Vac/dc 1 = 24Vac/dc 2 = 24Vac 4 = 110Vac 5 = 230Vac	C = °C F = °F B = Bar P = PSI H = %RH N = No unit of measurement	0 No 1 Yes 2 No 3 Yes	No No Yes Yes SSR = 4÷20mA for D and R formats
			Input
			P = PTC (NTC) T = PTC (NTC, Pt100, TcJ, TcK, TcS) A = 4÷20mA, 0÷1V, 0÷10V B = PP07 (-0.5÷7bar) C = PP30 (0÷30bar) D = PP11 (-0.5÷11bar) H = XH10/20P

XT100

INDICATOR and 1 STAGE DIGITAL CONTROLLERS



C: 32x74mm

D: 4 DIN Rail

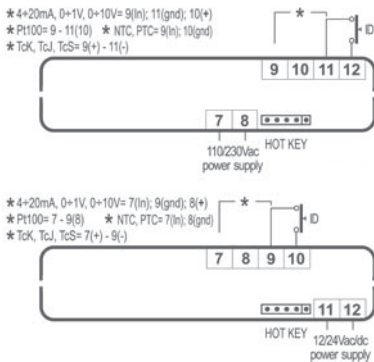
R: 72x72mm

XA100C	Configurable digital indicator
XT110C XT110D	ON/OFF configurable digital 1 stage controllers
XT111C XT111D XT111R	ON/OFF configurable digital 1 stage controllers with alarm relay

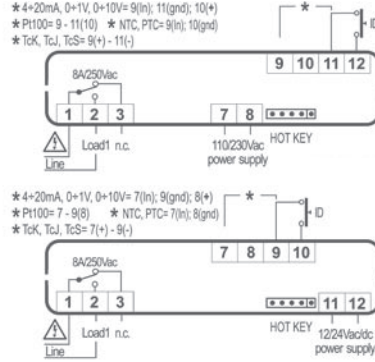
FEATURES	XA100C	XT110C	XT110D	XT111C	XT111D	XT111R
Display: n° digits	± 3½ d.p.	± 3½ d.p.	± 3½ d.p.	± 3½ d.p.	± 3½ d.p.	± 3½ d.p.
Power supply	12, 24Vac/dc 110, 230Vac	12, 24Vac/dc 110, 230Vac	24Vac/dc 24, 110, 230Vac	12, 24Vac/dc 110, 230Vac	24Vac/dc 24, 110, 230Vac	24Vac/dc 24, 110, 230Vac
Probe inputs						
NTC, PTC, Pt100, TcJ, TcK, TcS, 4÷20mA, 0÷1V, 0÷10V	config	config	config	config	config	config
Relay outputs						
Stage 1		8A	no 8A / nc 5A	8A	no 8A / nc 5A	8A
Stage 2						
Stage 3						
Stage 4						
Alarm				8A	no 8A / nc 5A	8A
Other						
Digital input	pres	pres	pres	pres	pres	pres
Hot Key/Prog Tool Kit output	pres	pres*	pres	pres*	pres	pres
Serial output	TTL	TTL*	TTL	TTL*	TTL	TTL
Analog output			4÷20mA opt		4÷20mA opt	4÷20mA opt
Buzzer	opt	opt	opt	opt	opt	opt

*: Prog Tool Kit output and serial output only for models with 12/24Vac/dc probe supply

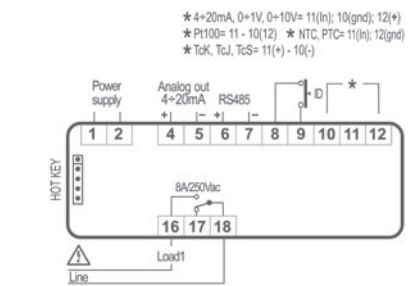
XA100C



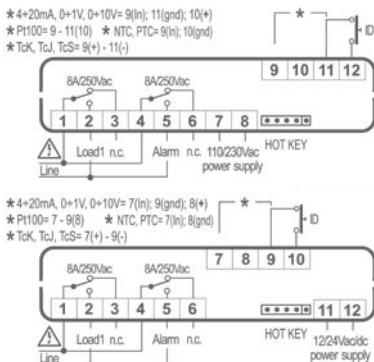
XT110C



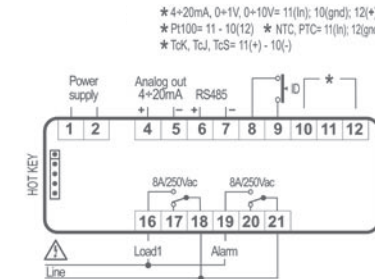
XT110D



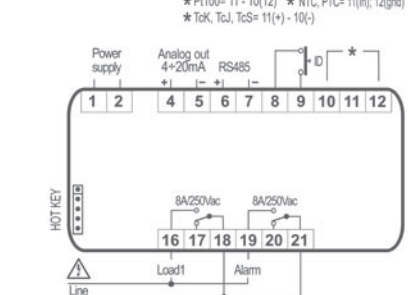
XT111C



XT111D



XT111R



XT100

2 STAGE DIGITAL CONTROLLERS



XT120C
XT120D

ON/OFF configurable digital 2 stage controllers

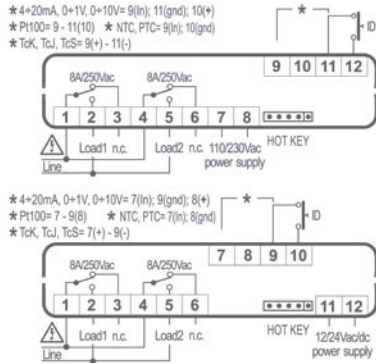
XT121C
XT121D
XT121R

ON/OFF configurable digital 2 stage controllers with alarm relay

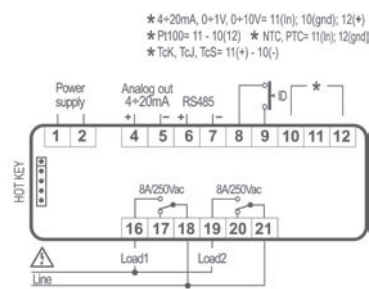
FEATURES	XT120C	XT120D	XT121C	XT121D	XT121R
Display: n° digits	± 3½ d.p.	± 3½ d.p.	± 3½ d.p.	± 3½ d.p.	± 3½ d.p.
Power supply	12, 24Vac/dc 110, 230Vac	24Vac/dc 24, 110, 230Vac	12, 24Vac/dc 110, 230Vac	24Vac/dc 24, 110, 230Vac	24Vac/dc 24, 110, 230Vac
Probe inputs					
NTC, PTC, Pt100, TcJ, TcK, TcS, 4÷20mA, 0÷1V, 0÷10V	config	config	config	config	config
Relay outputs					
Stage 1	8A	no 8A / nc 5A	8A	no 8A / nc 5A	8A
Stage 2	8A	no 8A / nc 5A	8A	no 8A / nc 5A	8A
Stage 3					
Stage 4					
Alarm			8A	no 8A / nc 5A	8A
Other					
Digital input	pres	pres	pres	pres	pres
Hot Key/Prog Tool Kit output	pres*	pres	pres*	pres	pres
Serial output	TTL*	TTL	TTL*	TTL	TTL
Analog output		4÷20mA opt		4÷20mA opt	4÷20mA opt
Buzzer	opt	opt	opt	opt	opt

*: Prog Tool Kit output and serial output only for models with 12/24Vac/dc probe supply

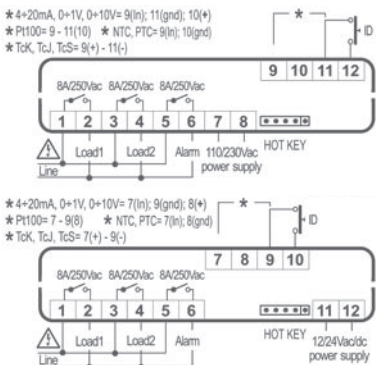
XT120C



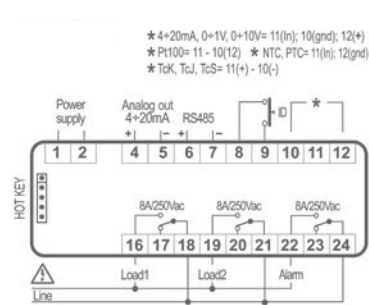
XT120D



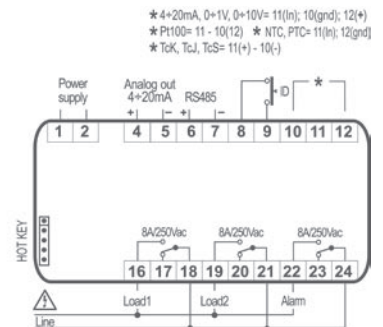
XT121C



XT121D



XT121R



XT100

NEUTRAL ZONE DIGITAL CONTROLLERS



C: 32x74mm

D: 4 DIN Rail

R: 72x72mm

XT130C
XT130D

ON/OFF configurable digital neutral zone controllers

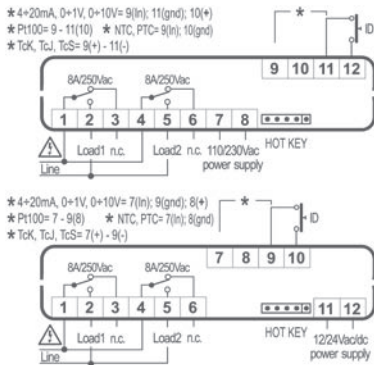
XT131C
XT131D
XT131R

ON/OFF configurable digital neutral zone controllers with alarm relay

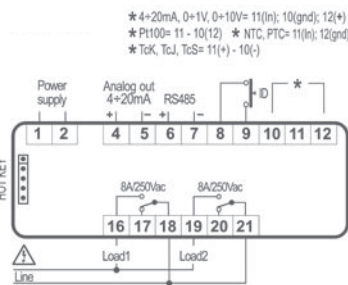
FEATURES	XT130C	XT130D	XT131C	XT131D	XT131R
Display: n° digits	± 3½ d.p.	± 3½ d.p.	± 3½ d.p.	± 3½ d.p.	± 3½ d.p.
Power supply	12, 24Vac/dc 110, 230Vac	24Vac/dc 24, 110, 230Vac	12, 24Vac/dc 110, 230Vac	24Vac/dc 24, 110, 230Vac	24Vac/dc 24, 110, 230Vac
Probe inputs					
NTC, PTC, Pt100, TcJ, TcK, TcS, 4÷20mA, 0÷1V, 0÷10V	config	config	config	config	config
Relay outputs					
Stage 1	8A	no 8A / nc 5A	8A	no 8A / nc 5A	8A
Stage 2	8A	no 8A / nc 5A	8A	no 8A / nc 5A	8A
Stage 3					
Stage 4					
Alarm			8A	no 8A / nc 5A	8A
Other					
Digital input	pres	pres	pres	pres	pres
Hot Key/Prog Tool Kit output	pres*	pres	pres*	pres	pres
Serial output	TTL*	TTL	TTL*	TTL	TTL
Analog output		4÷20mA opt		4÷20mA opt	4÷20mA opt
Buzzer	opt	opt	opt	opt	opt

*: Prog Tool Kit output and serial output only for models with 12/24Vac/dc probe supply

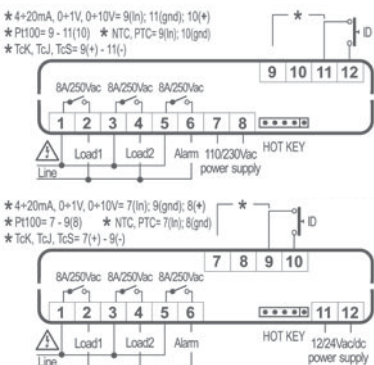
XT130C



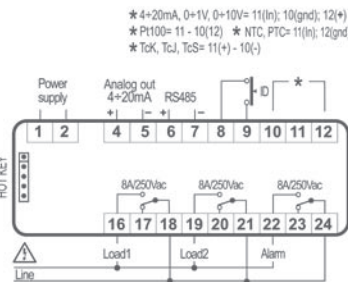
XT130D



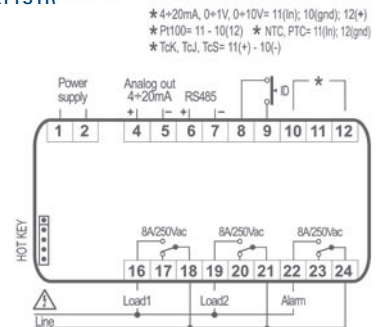
XT131C



XT131D



XT131R



XT100

2 STAGE PID and 4 STAGE DIGITAL CONTROLLERS



C: 32x74mm

D: 4 DIN Rail

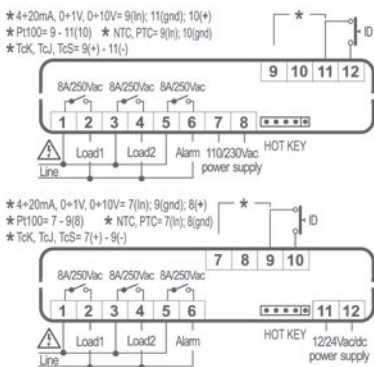
R: 72x72mm

XT141C XT141D XT141R	PID configurable digital 2 stage controllers with alarm relay
XT151D	ON/OFF configurable digital 3 stage controller with alarm relay
XT160D	ON/OFF configurable digital 4 stage controller

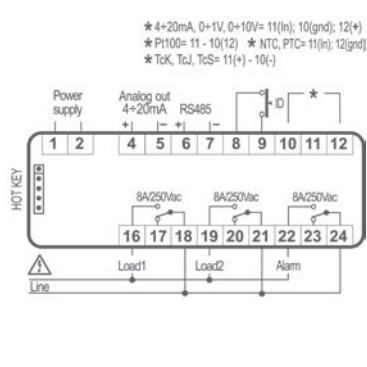
FEATURES	XT141C	XT141D	XT141R	XT151D	XT160D
Display: n° digits	± 3½ d.p.	± 3½ d.p.	± 3½ d.p.	± 3½ d.p.	± 3½ d.p.
Power supply	12, 24Vac/dc 110, 230Vac	24Vac/dc 24, 110, 230Vac	24Vac/dc 24, 110, 230Vac	24Vac/dc 24, 110, 230Vac	24Vac/dc 24, 110, 230Vac
Probe inputs					
NTC, PTC, Pt100, TcJ, TcK, TcS, 4÷20mA, 0÷1V, 0÷10V	config	config	config	config	config
Relay outputs					
Stage 1	8A	no 8A / nc 5A	8A	no 8A / nc 5A	no 8A / nc 5A
Stage 2	8A	no 8A / nc 5A	8A	no 8A / nc 5A	no 8A / nc 5A
Stage 3				no 8A / nc 5A	no 8A / nc 5A
Stage 4					8A
Alarm	8A	no 8A / nc 5A	8A	8A	
Other					
Digital input	pres	pres	pres	pres	pres
Hot Key/Prog Tool Kit output	pres*	pres	pres	pres	pres
Serial output	TTL*	TTL	TTL	TTL	TTL
Analog output		4÷20mA opt	4÷20mA opt	4÷20mA opt	4÷20mA opt
Buzzer	opt	opt	opt	opt	opt

*: Prog Tool Kit output and serial output only for models with 12/24Vac/dc probe supply

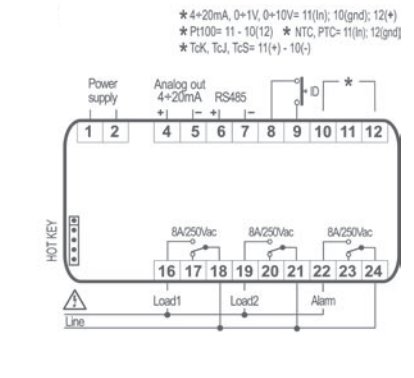
XT141C



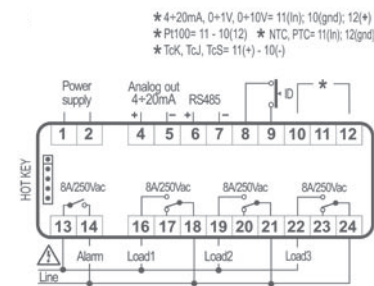
XT141D



XT141R



XT151D



XT160D

