

Carleton College

ALUMNI ADVENTURES

Explore the world

WITH  
CARLETON COLLEGE  
PROFESSOR  
SUSAN JARET MCKINSTRY

# VOYAGE TO GREEN & GENTLE LANDS

Exploring England, Wales, Ireland, Scotland & Its Isles

Aboard the All-Suite, 50-Cabin *Corinthian*

May 17-28, 2015

THE FIRST  
32 TRAVELERS  
**SAVE \$1,000**  
*per couple*  
(\$500 FOR SOLO  
TRAVELERS)  
*see inside*



# Carleton College

## ALUMNI ADVENTURES

Explore the world

Dear Carleton College Alumni and Friends,

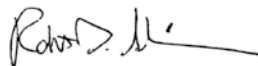
Merlin. St. Patrick. Macbeth. This voyage to England, Wales, Ireland, and Scotland conjures history and legend at every turn—the stomping ground of King Arthur’s knights in Cornwall and Wales; St. Patrick’s Cathedral in Dublin; the graves of Duncan and Macbeth on the Isle of Iona. Further north in Skye, Lewis, and the Orkneys, you enter the Neolithic world of the Standing Stones of Callanish and Stenness, the Ring of Brodgar, and the village ruins at Skara Brae. This is the world of Celtic mythology and of a literary tradition that stretches from the folklore of the earliest times to the Gothic novels of the Victorian Age. As you travel through this world, you will have the opportunity to discuss it with experts, including Carleton College Professor of English Susan Jaret McKinstry.

In addition to this rich historical and literary exploration, your voyage also invites discovery of some of the most beautiful flora, both natural and cultivated, to be found anywhere. The British Isles and Ireland in springtime are among the most lovely, verdant places on Earth. As you cruise from the port of Poole on the English Channel, to the Isles of Scilly and around the tip of Cornwall, and through the Irish Sea, you encounter some of the most remarkable gardens in the whole of Europe. And as you continue north, you expand your horizon beyond the gardens of great houses and castles to take in the wildflowers of Skye and Lewis at the peak of their bloom.

Your travel experience will be augmented by lectures and informal discussions by a team of onboard experts, including Carleton Prof. Jaret McKinstry, who teaches courses on Victorian literature and culture, Pre-Raphaelite arts (painting, poetry, design, architecture, and the ideal book), narrative theory, and creative writing; and Holly Shimizu, who is among the most accomplished and respected botanists in the world.

Along the way of this enchanting journey, your home will be the 50-cabin, all-suite *Corinthian*, which is at once large enough to offer all the amenities of a larger cruise ship—a spacious restaurant, two comfortable lounges, and a sun deck—but small enough to navigate hidden inlets and harbors and lend an intimate feel to this fascinating literary, horticultural, and historical expedition.

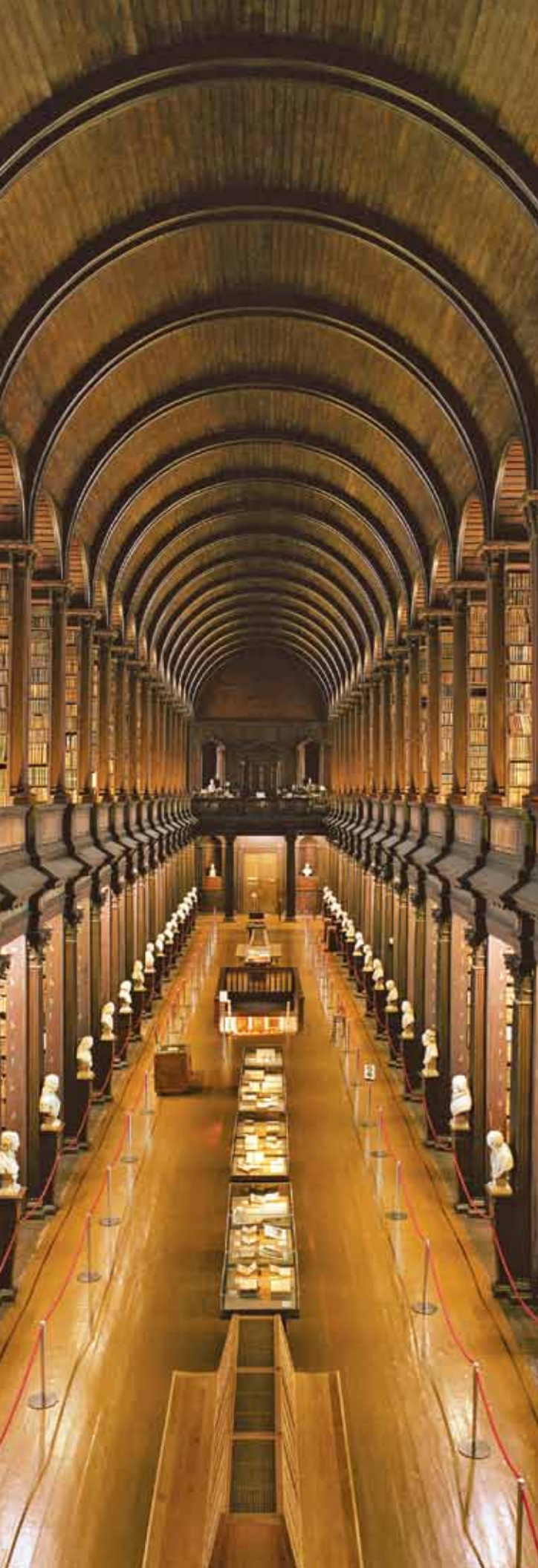
Sincerely,



Robert D. Smulian, Class of '78  
President, Carleton College Alumni Association

P.S. *Corinthian* has only 50 cabins (all suites) and this program is co-sponsored by other organizations, so I encourage you to contact the Alumni Adventures office at [carleton@studytours.org](mailto:carleton@studytours.org) or (800) 811-7244 to reserve your space today.

Cover: Eilean Donan Castle in Scotland occupies a majestic position  
Left: The magnificent library of Trinity College, Dublin







*Bodnant Garden, one of the finest gardens in Britain*



# ITINERARY

Sunday, May 17, 2015

## USA

Fly from the U.S. to London.

Monday, May 18

## LONDON, England, United Kingdom | POOLE | EMBARK

Arrive in London and transfer to Poole to embark *Corinthian*. (D)

Tuesday, May 19

## TRESCO, Isles of Scilly

The Isles of Scilly lie off the southwest coast of Cornwall and are believed to have been visited by the ancient Phoenicians. From the port, walk to the Tresco Abbey Gardens for a guided visit. Because of the mild winter climate, the long hours of summer sunshine, and the high walls and hedge around the garden protecting it from the Atlantic winds, the garden is now home to exotic plants from all over the world. Tresco is also known for its wonderful birding opportunities. (B, L, D)

Wednesday, May 20

## FISHGUARD, Wales

Travel to St. Davids to tour the magnificent cathedral in the village-sized city, the smallest city in Britain. Continue to the adjacent Bishop's Palace, once one of three fortified residences of the Bishops of St. Davids. (B, L, D)

Thursday, May 21

## HOLYHEAD | SNOWDONIA | CAERNARFON

*Corinthian* calls at Holyhead this morning, on the Isle of Anglesey, which is separated from mainland Wales by the narrow Menai Strait. An excursion leads to Bodnant Garden, one of the finest gardens in Britain. Begun in 1875, Bodnant is noted for its rich range of plants and the variety of its design. After a lunch of Welsh specialties, drive along the Vale of Conwy and through the spectacular scenery of Snowdonia to Caernarfon Castle, where Prince Charles was invested as Prince of Wales. (B, L, D)



Impressive Caernarfon Castle, originally built in the 13<sup>th</sup> century



Friday, May 22

## DUBLIN, Ireland

This lively city on the banks of the River Liffey is justly famous for its historic sites, handsome Georgian architecture, and genuinely friendly inhabitants. This morning we view the 13<sup>th</sup>-century Gothic cathedral of St. Patrick, founded on the site of a spring where Patrick is said to have baptized converts. Also tour Trinity College with its famed library housing the *Book of Kells* and other treasures. In the afternoon, visit Dublin Castle to see the beautifully decorated State Apartments and the newly discovered Viking excavations as well as the Chester Beatty Library with its fine collection of art and artifacts. (B, L, D)

Saturday, May 23

## ISLE OF IONA, Scotland, United Kingdom

This lovely, verdant island, site of the first Christian settlement in Scotland, enjoys a reputation as a seat of spiritual power and bears the distinction of harboring in its "Graves of the Kings" 48 Scottish monarchs, including Macbeth and his victim Duncan. Enjoy a walking tour and a visit to the Abbey. (B, L, D)

Sunday, May 24

## PORTREE, Isle of Skye

Call in Portree, our base for exploring the castles on the Isle of Skye. Visit the Eilean Donan Castle, initially built in 1214 and later restored in the 20<sup>th</sup> century. Alternatively visit the Dunvegan Castle, said to be the oldest continuously inhabited castle in Scotland. There will also be time to explore the charming town of Portree. (B, L, D)

Monday, May 25

### STORNOWAY, Isle of Lewis

The largest town in the Western Isles, Stornoway is our port of call today. We explore the Standing Stones of Callanish, an arrangement of stones reminiscent of a Celtic Cross and almost 5,000 years old. Next visit Carloway Dun, a broch (drystone circular fort-like structure) built around the 1<sup>st</sup> century A.D. and in use until the 14<sup>th</sup> century. Returning to the ship, stop at a traditional “blackhouse”—a thatched-roofed stone structure shared by both people and livestock, without an outlet for the smoke from peat fires. (B, L, D)

Tuesday, May 26

### KIRKWALL, Orkney Islands

From Kirkwall enjoy an excursion to the Heart of Neolithic Orkney, an UNESCO World Heritage site, including the Standing Stones of Stenness, the henge and stone circle of the Ring of Brodgar, and the ruins of a Neolithic village at Skara Brae. Return to Kirkwall for a tour of the medieval St. Magnus Cathedral, the most northerly cathedral in the British Isles. (B, L, D)

Wednesday, May 27

### ABERDEEN | BALMORAL | CRATHES CASTLE

From Aberdeen, enjoy an excursion to Balmoral, the Scottish home of the British Royal Family since it was purchased by Prince Albert in 1852. The estate extends over 50,000 acres of heather-clad hills and ancient woodlands. Continue to Crathes Castle, known for its Scottish renaissance painted ceilings and an exquisite walled garden encompassing nearly four acres. (B, L, D)

Thursday, May 28

### LEITH | DISEMBARK | EDINBURGH | FLY TO USA

Disembark and transfer to Edinburgh for return flights. (B)



The prehistoric Standing Stones of Callanish, on the Isle of Lewis, are set on a lochside position and date from 3,000-1,500 B.C.

## CRUISE, LEARN, BE INSPIRED



**Susan Jaret McKinstry**, Helen F. Lewis Professor of English at Carleton College, has directed Carleton's off-campus studies programs that explore literature in/of place: Literature and Theater in London (1998, 2005, 2015) and Irish Studies in Ireland (2009). Susan teaches courses on Victorian literature and culture, Pre-Raphaelite arts (painting, poetry, design, architecture, and the ideal book), narrative theory, and creative writing. She is also a poet. From 2009-12 she co-directed Carleton's Visualizing the Liberal Arts initiative, and she is currently Associate Director of the Digital Humanities at Carleton. Susan's research on the aesthetic and commercial work of the Pre-Raphaelites ranges from material to digital resources as she happily explores what is now called Visual Studies, linking what we see to how we understand, interpret, and represent it.



Director of Public Affairs and Science Information at the Harvard-Smithsonian Center for Astrophysics, **David Aguilar's** expertise is in communicating the wonderment of science. On this voyage, he will focus on the history, myths, and contributions of British astronomy in the 18<sup>th</sup>, 19<sup>th</sup>, and early 20<sup>th</sup> centuries. David plans to discuss: Edmund Halley's Great Comet of A.D. 1066 and the victory of William the Conqueror; the monster telescopes of Lord Rosse and William Herschel; the art and astronomy of John Nasmyth; and historic spirits of the British Isles.



**Patrick O'Neill** holds the Norman and Dorothy Eliason Chair of English at The University of North Carolina at Chapel Hill. He was a Fellow at the National Humanities Center and is currently a Research Associate at the Dublin Institute for Advanced Studies, School of Celtic Studies, and a Fellow of the Institute of Oriental and Occidental Studies, Kansai University. Professor O'Neill has published numerous works on English and Irish literature, and is currently completing a book on cultural relations between early Ireland and Anglo-Saxon England.



**Holly H. Shimizu** is a nationally recognized horticulturist who, most recently, was Executive Director of the U.S. Botanic Garden from 2000 through 2014. Holly has received numerous awards, including the prestigious Thomas Roland Medal from the Massachusetts Horticultural Society and the Professional Award for an Outstanding Public Garden Director from the American Horticultural Society. She has written for numerous publications, was the host of the popular *Victory Garden* television show, and is an international flower show judge.

*Lecturers are subject to change.*



# CORINTHIAN SETS THE STANDARD FOR PRIVATE-STYLE CRUISING

In an era of mega cruise ships that carry thousands of passengers, *Corinthian* is a delightful alternative. More like a private yacht than a cruise ship, *Corinthian* accommodates only 100 guests in 50 suites. *Corinthian's* limited guest capacity, fine facilities, and distinctive style of operation attract like-minded travelers who return again and again to enjoy its custom-crafted itineraries and a style of cruising that is rarely found today.

All of *Corinthian's* suites face outside, providing views of the sea and landscape. Several have a private balcony. There are expansive open deck areas and attractive facilities, including a gym, spa, library (with Internet access), beauty salon, two lounges, a sun deck with Jacuzzi, and an outdoor cafe. An elegant restaurant accommodates all guests in an open, unassigned seating. An elevator serves all decks. A resident physician attends a well-equipped infirmary. Wi-Fi is available throughout the ship.

Served by 65 seasoned officers and crew, *Corinthian* complies with the latest international safety regulations, including those of the U.S. Coast Guard, meets the requirements of the Centers for Disease Control and Prevention/U.S. Department of Health and Human Services, and is outfitted with the most current navigational and communications technology. *Corinthian* is equipped with retractable fin stabilizers and a fleet of Zodiac inflatable craft for forays ashore.



Veranda Suite



Nautilus Club



Sun Deck



# PROGRAM INCLUSIONS

## Included

- 10-night cruise aboard the all-suite, 50-cabin *Corinthian*
- Complete program of tours and excursions
- Welcome and farewell cocktail receptions aboard ship
- All meals aboard ship including: early riser's coffee & pastry, breakfast, lunch, afternoon tea, and dinner
- Wine with lunch and dinner aboard ship
- Educational program of lectures and discussions by Carleton faculty leader Susan Jaret McKinstry and other onboard experts
- Professional Travel Dynamics International tour staff
- Complete pre-departure materials
- Baggage handling and airport transfers abroad on the designated program arrival and departure dates
- Gratuities to porters, guides, and drivers

## Not Included

- Airfare
- Visa and passport fees (if applicable)
- Trip cancellation and baggage insurance
- Meals and beverages other than those specified above
- Personal expenses (such as laundry, telephone, Internet)
- Port taxes and charges
- Gratuities to shipboard personnel

## Air Reservations

Airfare is not included in the Cruise and Land Rates. To make your air reservations, please contact your preferred airline, travel agent, or the Travel Dynamics International air desk toll-free at 1-877-711-9896 Monday – Friday from 9:00 am – 5:00 pm (EST). Mention tour code 15208.

For questions and to hold your space, please contact Carleton College Alumni Adventures at:

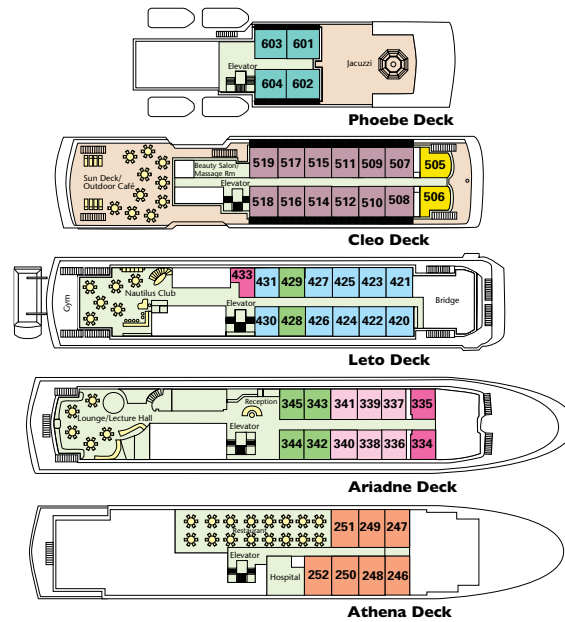
**800-811-7244**

Toll: 603-756-4844 • Fax: 603-756-2922

Email: [carleton@studytours.org](mailto:carleton@studytours.org)

Website: [go.carleton.edu/adventures](http://go.carleton.edu/adventures)

# DECK PLAN



**THE FIRST 32 TRAVELERS**  
**SAVE \$1,000**  
**PER COUPLE**  
**\$500 FOR SOLO TRAVELERS**  
**CALL TODAY!**

# CRUISE & LAND RATES |

PER PERSON, DOUBLE OCCUPANCY

All accommodations aboard *Corinthian* are suites. They face outside, affording sea views, and include a bedroom with two twin-size beds that can convert to a queen-size bed, sitting area, mini-refrigerator, safe, spacious closets, climate control, telephone, TV, DVD/CD player, Internet connection, and bathroom with marble vanity, shower, and other amenities. All suites are non-smoking.

CATEGORY	DESCRIPTION	RATES FOR THE FIRST 32 TRAVELERS	REGULAR RATES
<b>E</b>	Deluxe suites on Ariadne and Leto Decks with windows and sitting area. 215 sq. ft. Suites *342 - *345,*428,*429 *PARTIALLY OBSTRUCTED VIEW	\$7,990	\$8,490
<b>D</b>	Deluxe suites on Ariadne and Leto Decks with windows and sitting area. 215 sq. ft. Suites 334 - 335, 433	\$8,690	\$9,190
<b>C</b>	Deluxe suites on Athena Deck with portholes and sitting area. 275 sq. ft. Suites 246 - 252	\$9,390	\$9,890
<b>B</b>	Deluxe suites on Ariadne Deck with windows and sitting area. 225 sq. ft. Suites 336 - 341	\$10,390	\$10,890
<b>A</b>	Deluxe suites on Leto Deck with windows and sitting area. 235 sq. ft. Suites 420 - 427, 430 - 431	\$11,190	\$11,690
<b>AA</b>	Deluxe suites on Cleo Deck with forward windows and sitting area. 285 sq. ft. Suites 505 - 506	\$11,690	\$12,190
<b>VS</b>	Deluxe Veranda Suites on Cleo Deck with private balcony and sitting area. 245 sq. ft. Suites 507 - 519	\$12,390	\$12,890
<b>PHS</b>	Deluxe Penthouse Suites on Phoebe Deck with private balcony and sitting area. 260 sq. ft. Suites 601 - 604	\$13,390	\$13,890

**Port taxes & charges: \$590 per person**

**SINGLE OCCUPANCY:** Single accommodations are limited and are available in Categories B and A at a supplement of \$1,990 to the per person, double occupancy rates.

## GENERAL INFORMATION

**PAYMENT SCHEDULE:** A deposit of \$1,500 per person is required to reserve your space on the tour. For your convenience, you may charge your deposit to your American Express, Visa, Discover, or MasterCard. Final payment is due 90 days prior to departure. Credit cards are not accepted for final payment. However, personal checks are accepted for both deposits and final payment.

**CANCELLATIONS & REFUNDS:** All cancellations are subject to a \$300 per person fee. Cancellations received 61-90 days prior to departure will be assessed a penalty equal to 50% of the total program cost per person. Cancellations received within 60 days of departure are subject to 100% cancellation penalties.

**INSURANCE:** We strongly recommend the purchase of trip cancellation insurance, which is available for coverage of expenses in conjunction with cancellation due to illness or accident. Baggage insurance is also recommended. In the event that you must cancel your participation in a travel program, trip cancellation insurance may be the only source of reimbursement. Insurance information will be provided upon registration.

**ITINERARY:** The itinerary, accommodations, and arrangements are subject to change at the discretion of Travel Dynamics International Ltd.

**RESPONSIBILITY:** Please read carefully the following terms and conditions, which constitute the sole, legally enforceable agreements between the passenger and Travel Dynamics International Ltd and the tour's sponsoring organization. The passenger is also advised to review his/her separate ticket passage contract with the vessel's owner/operator, which will constitute the sole, legally enforceable terms of carriage for this cruise and is available on request from Travel Dynamics International Ltd. Travel Dynamics International Ltd. and the tour's sponsoring organization act solely as agents for the passenger with respect to all transportation, hotel and other tour arrangements. In that capacity, we exercise all reasonable care possible to ensure the passenger's safety and satisfaction, but, we neither assume nor bear any responsibility or liability for any injury, death, damage, loss, accident, delay or irregularity arising in connection with the services of any ship, airplane, train, automobile, motor coach, carriage or other conveyance, or the actions of any third-party, involved in carrying the passenger or in affecting these tours. We are not responsible for damages, additional expenses, or any other losses due to cancellation, delay or other changes in air or other services, sickness, weather, strike, war, civil disturbances, acts or threats of terrorism, travel warnings or bans, termination or suspension of war risks or other carrier insurance, quarantine, acts of God or other causes beyond our control. All such losses must be borne by the passenger, and tour rates provide for arrangements only for the time stated. In the event of cancellation, delay or rescheduling mandated by any of the aforesaid causes beyond our control, the passenger shall have the option of accepting in lieu of the original tour such rescheduled tour or other substituted tour(s) as may be offered by us, or else, receiving a refund of as much of such advance tour expenditures as we are able to recover on the passenger's behalf from carriers, third-party tour vendors, etc., but, we shall not have any obligation or liability to the passenger beyond the foregoing. We reserve the right to make alterations to the tour's itinerary and to substitute hotels, ships, or lecturers if this is required. We reserve the right to cancel, delay, or reschedule any tour prior to departure, and, so long as this is not due to any of the aforesaid causes beyond our control, the passenger shall be entitled to a full refund of all monies paid to that point if he/she so desires. No refund shall be made for any unused portion of any tour. By forwarding their deposit(s), the passenger certifies that he/she and/or their dependents, minors or others covered thereby do not have any mental, physical or other condition of disability that could create a hazard for them or other passengers. We reserve the right to decline to accept or to decline to retain any person as a member of any tour should such person's health, condition or actions adversely affect or threaten the welfare or safety of other passengers or impede the tour. Baggage or valuables brought on the tour shall be transported, handled or stored at the passenger's risk entirely, and, we shall bear no liability or responsibility for any damage or other loss thereto. Passenger tickets are not transferable and are not subject to alteration by the passenger. No suit shall be maintainable against the carrier, or vessel, for any losses, accidents, damages to person, property, personal injury (including death or other types of bodily injury) of the passengers, unless written notice of the claim, with full particulars, is delivered to the carrier or its agents at its office at the port of sailing or at the port of termination within six months from the day when such incident occurred. In no event shall any such suit or any claim against the carrier or vessel for any losses, accidents, damages to person, property, personal injury (including death or other types of bodily injury) of the passenger be maintainable unless such suit is commenced within one year from the day when the incident causing such losses, accidents, damages to person, property, personal injury (including death or other types of bodily injury) of the passenger occurs, notwithstanding any provision of law of any state or country to the contrary. Resolution of any disputes arising hereunder shall be brought within the United States District Court for the Southern District of New York, pursuant to the applicable general maritime law, and applying the applicable general maritime law and Federal maritime statutes.

**RATES:** Tour costs are based upon current airfares, tariffs, and currency values. While we do everything possible to maintain the listed prices, they are subject to change.

**FUEL SUPPLEMENT:** Travel Dynamics International Ltd. reserves the right to charge a fuel supplement, without prior notice, if the NYMEX oil price exceeds \$85 per barrel. This supplement may be charged even if the cruise fare has been paid in full.

**SHIP'S REGISTRY:** Malta

CST #204 3599-40 TDI





# Carleton College

ALUMNI ADVENTURES  
*Explore the world*

P.O. Box 938, 47 Main Street, Suite One, Walpole, NH 03608

PRSR STD  
U.S. Postage  
**PAID**  
Travel Dynamics  
Int'l

## Explore the Green & Gentle Lands of England, Wales, Ireland, Scotland & Its Isles



*Picturesque Portree Harbor on the Isle of Skye*



THE FIRST  
32 TRAVELERS  
**SAVE \$1,000**  
*per couple*  
**\$500 FOR SOLO  
TRAVELERS**  
*see inside*

For questions and to hold your space,  
please contact Carleton College  
Alumni Adventures at:

**800-811-7244**

CARL 15208

Toll: 603-756-4844 • Fax: 603-756-2922

Email: [carleton@studytours.org](mailto:carleton@studytours.org)

Website: [go.carleton.edu/adventures](http://go.carleton.edu/adventures)

*Tresco Abbey Gardens, one of the  
treasures of the remote Isles of Scilly*