



YK™

ELECTRIC WIRE ROPE HOISTS



The Drive Inside™



COLUMBUS MCKINNON CORPORATION

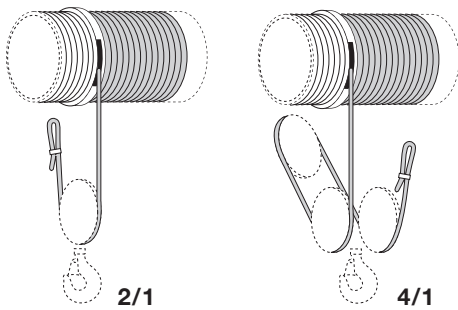


YK™ ELECTRIC WIRE ROPE HOISTS AND CRANE COMPONENTS

When you need quality and performance in a wire rope hoist, turn to the Yale® YK™ from Columbus McKinnon. Based on German technology, the Yale YK delivers the industry-leading technology and safety you need for your lifting applications in a compact, easy-to-maintain design. Precision engineered, these hoists are built for reliable operation, high efficiency, and long service life and are competitively priced for the U.S. market. Operators, crane manufacturers, and system manufacturers can benefit from the hoist's modular system that allows for configuration of the hoist and crane system to meet exact application needs. Complete with a low-headroom trolley, the Yale YK is ideal for applications with space limitations.

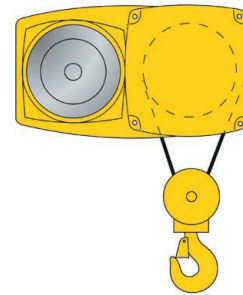
CAPACITIES: 1 TO 30 TONS

LIFT: MAXIMUM 131 FT.



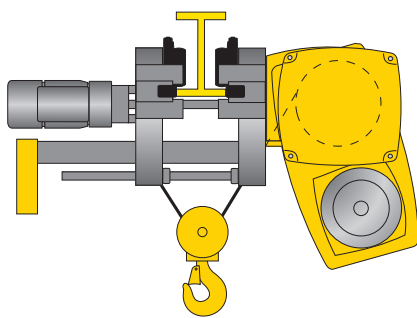
SINGLE-GROOVED ROPE DRUM

2-part single or 4-part single reeving is available, depending on the application.



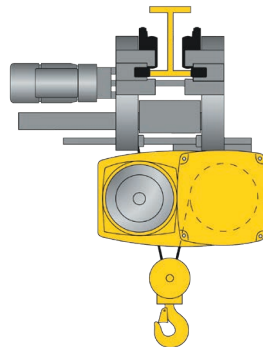
BASE MOUNT MODEL

Can be used as stationary hoisting or towing equipment, for example in systems manufacturing. The rope lead-off angle, the hoist mounting, and the mounting position of the hoist motor can be adjusted as needed. Available for 1-30 ton capacities.



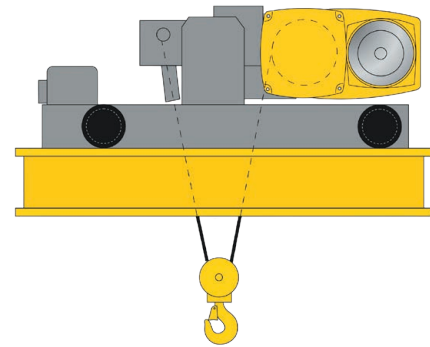
LOW-HEADROOM MONORAIL TROLLEY

The monorail trolley is used on monorail runways and single-girder overhead traveling cranes. Trolley is easily adjustable for different beam sizes and comes standard with two speed trolley. Available for 1-15 ton capacities.



STANDARD HEADROOM MONORAIL TROLLEY

Specially designed for small clearances, the monorail trolley has a narrow width. It is used on monorail runways and single-girder overhead traveling cranes. Available for 20-30 ton capacities.



TOP RUNNING DOUBLE GIRDER TROLLEY

Extremely compact with minimal hook approach and headroom dimensions. Flexible design ensures all four wheels are in contact with the girder. Available for 1-30 ton capacities.

STANDARD FEATURES

Features	
Capacities	1–30 tons
Lift Heights	Up to 131 feet
Ambient Temperature	-4°F to +104°F (-20°C to +40°C)
Hoist & Trolley Protection to IEC/EN 60529	IP55 or NEMA 4/12
Voltage	208, 230, 460V, 3 phase, 60 Hz (Control Voltage 120V)
Third Party Labeling	Motors CSA/Control Panel UL508A
Warranty	3-year standard
Hoist	
Reeving	2PS & 4PS
Hoist Speed Control	2-speed control. Optional Magnetek VFD
Complete Hoist Control	Includes mainline contactor K10, transformer & trolley fuses. Does not include: main hoist fuses to be sized for both hoist and trolley – for use on monorails
Crane MFG Control	Includes safety contactor K20, trolley fuses. Hoist control does not include: transformer, mainline, main fuses sized for hoist & trolley (items not included to be located in bridge control panel) – for use on cranes
Control Enclosure	Fiberglass – IP55 or NEMA 4/12
Overload Protection	Standard electronic load limiting device
Geared Limit Switch	Four switching points (3 up, 1 down), Emergency top, Operational top, Changeover from fast to slow, Emergency bottom
Block-Operated Limit Switch	Standard
Rope Guide	Cast iron spheroidal graphite
Hoist Motor	Standard hoist performance monitoring
	3 phase A.C. squirrel cage induction motor, 2-speed cylindrical motor and flywheel mass for smooth start and stop
	6:1 ratio with class F insulation, S4 duty class, 40/20% duty cycle
	IP55 or NEMA 4/12
	Standard motor thermal protection
Hoist Motor Brake	Hoist motor connection wired into control enclosure
	DC power, no adjustment needed
	IP66 or NEMA 4/4X
Hoist Drum	Double-sided, asbestos-free linings on monodisc
	Machined steel – 40% grooved depth
Hoist Gearing	Helical lubed for life
Bearings	Anti-friction. All sealed for life
Hook Assembly	360° rotation with safety latch
Paint	Two part polyurethane base and top coat to 3.2 mil thickness or epoxy powder coat to 2.4 mil, Yale yellow
Trolley	
Types	Monorail, Double Girder, Base Mount
Trolley Control	Magnetic contactor – 2 speed. Optional Magnetek VFD
Travel Motor Speed 60 Hz	80/20 fpm
Bumpers & Drop Lugs	Standard
Mechanical Safety Devices	All trolleys come standard with anti-tipping devices and trolley guards
Trolley Motor	2-speed, S4 duty class, class F insulation, IP55 or NEMA 4/12
Trolley Brake	DC brake
Trolley Gearing	Helical
Temperature Control of Travel Motors	Standard
Wheel Material	Ductile Iron 240 BHN

COMPACT DESIGN

Compact dimensions due to U-shape design. Exceptionally short approach allows for optimum use of work area when space is limited.

LOW MAINTENANCE

Largely maintenance-free design with field-proven components designed for low wear and long service life.

SHORT LEAD TIMES

Assembled in Wadesboro, North Carolina, with German-made components, these units offer short lead times to meet tight deadlines.

H3, H4 & H4+ DUTY CYCLE

FLEXIBLE CONFIGURATIONS

Hoists can be configured to your unique application needs. Available in 5 frame sizes with 16 load capacity variants.

EXTENSIVE SAFETY FEATURES

Standard safety features include block-operated limit switch, adjustable geared limit switch, motor temperature control, and overload protection.

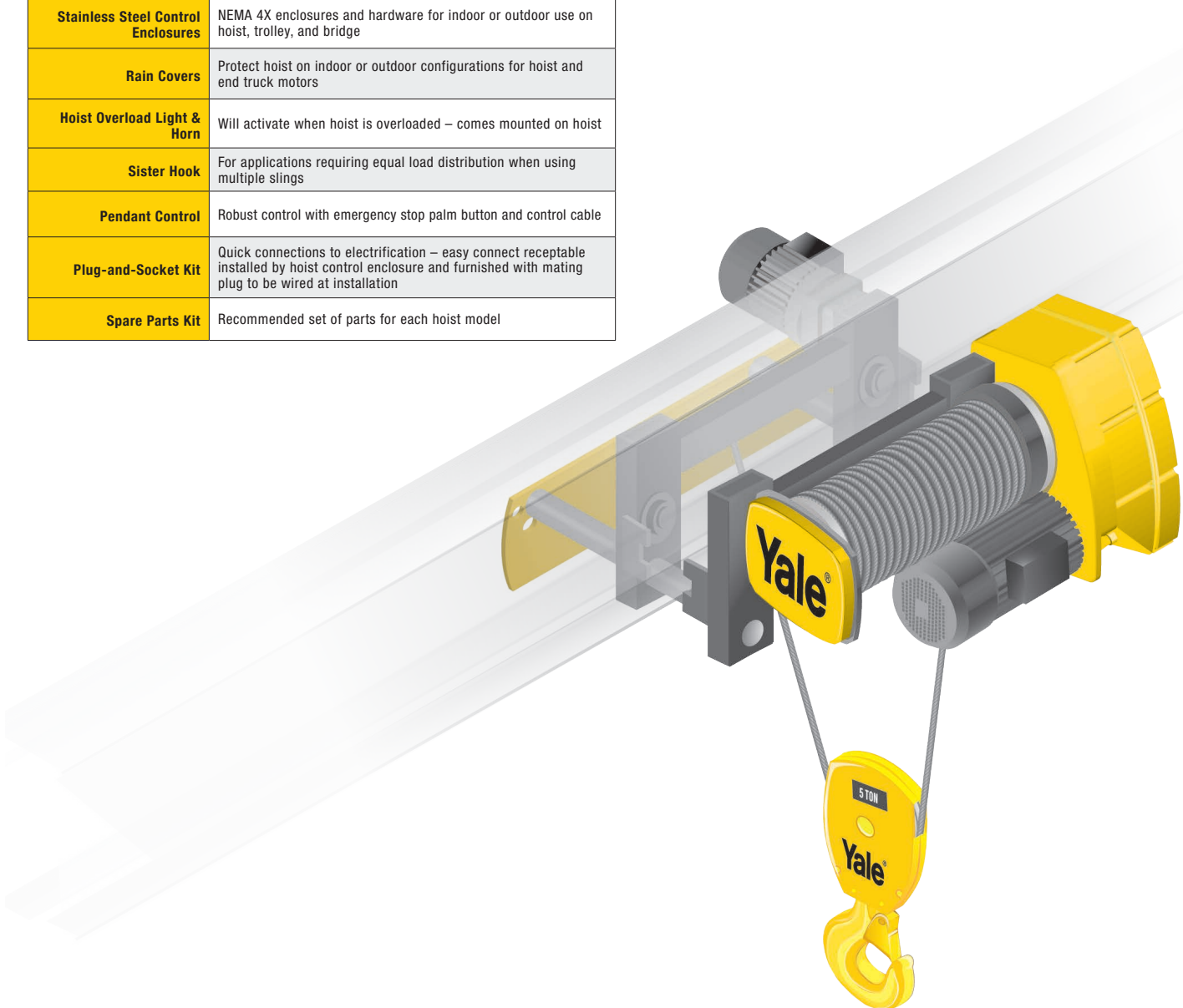
SMOOTH OPERATION

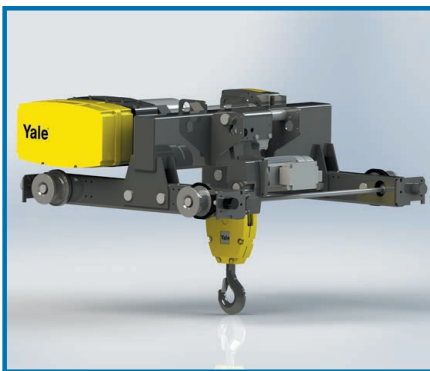
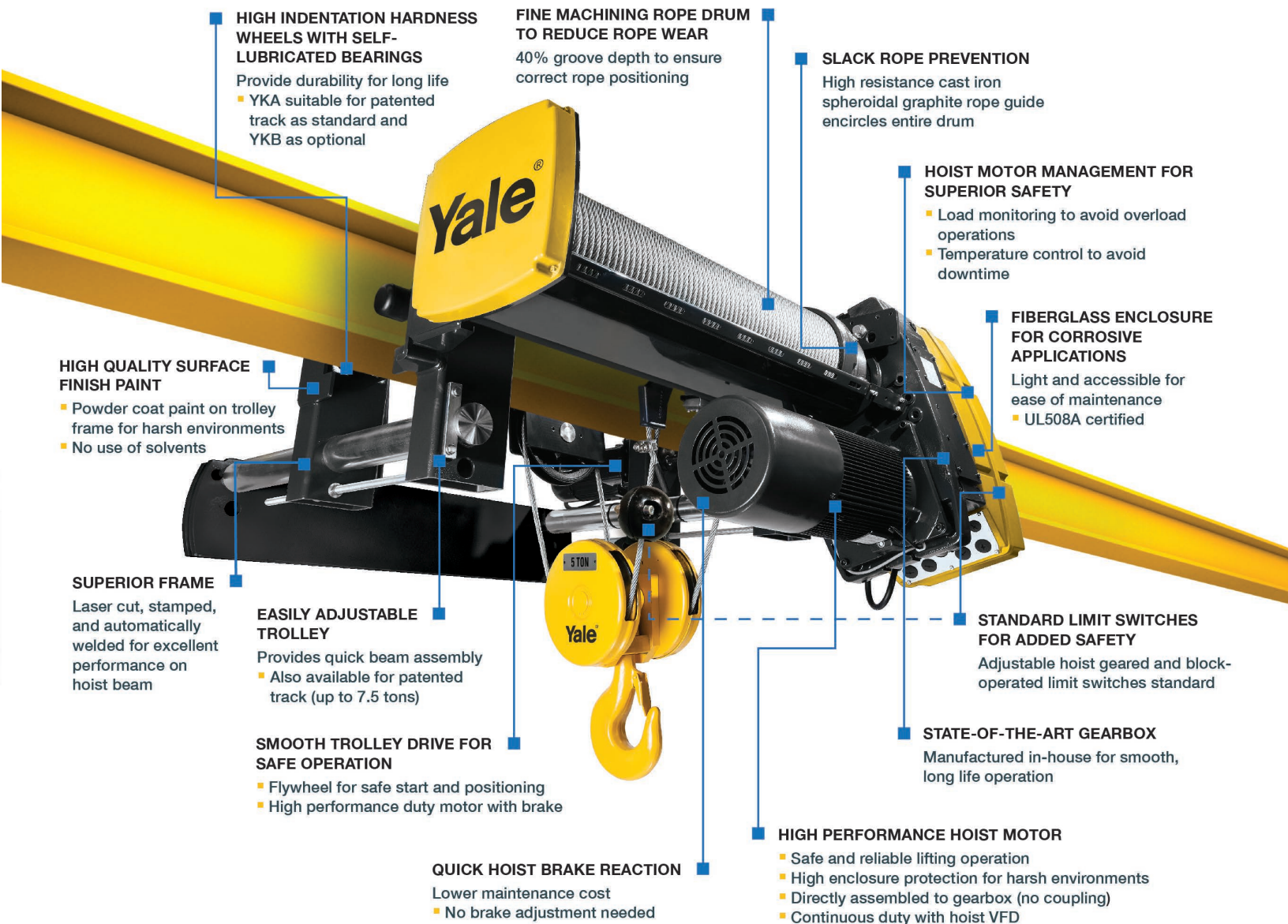
Extremely smooth starting and braking characteristics.



OPTIONS

Features	
Panel & Motor Heaters	Available for hoist, trolley, and bridge motions
Patented Track Wheels	Monorail trolley packages available for capacities up to 7.5 tons
Travel Limit Switch	Limit switching in both directions, switching from fast/slow, and IP65 or NEMA 4/4X – wired and mounted to the hoist
Towing Arm	Available for power supply with adjustable height and length
Load Display	Four and six-digit SLD3 load displays monitor lifted load by hoist crane – 4" or 5 7/8" tall digits, respectively
Trolley Rail Sweeps	Help remove obstructions from beam flange as trolley traverses – monorail only
Control Panel & Motor with IP66 (NEMA 4) Protection	Electrical enclosures in combination with anti-condensation heaters prevent entry of dust and water
Stainless Steel Control Enclosures	NEMA 4X enclosures and hardware for indoor or outdoor use on hoist, trolley, and bridge
Rain Covers	Protect hoist on indoor or outdoor configurations for hoist and end truck motors
Hoist Overload Light & Horn	Will activate when hoist is overloaded – comes mounted on hoist
Sister Hook	For applications requiring equal load distribution when using multiple slings
Pendant Control	Robust control with emergency stop palm button and control cable
Plug-and-Socket Kit	Quick connections to electrification – easy connect receptable installed by hoist control enclosure and furnished with mating plug to be wired at installation
Spare Parts Kit	Recommended set of parts for each hoist model





BUILT TO PERFORM

TECHNOLOGY

You can work with confidence knowing the technology behind the Yale YK is built to the highest industry standards. Working together, these low-maintenance components provide best-in-class performance, high efficiency, and long service life for any application. The Yale YK is also designed with safety in mind, including features such as geared limit switches, motor temperature control, and overload protection.

1 ROPE AND ROPE GUIDE



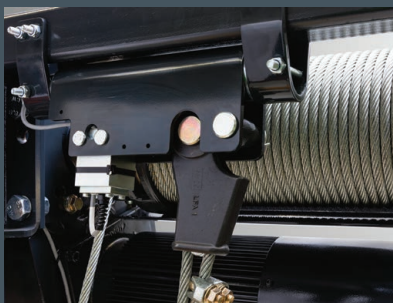
- Specialized wire rope is highly flexible and features a long service life
- Field-proven enclosed rope guide constructed of spheroidal graphite cast iron for high-temperature environments
- GJS material (previously designated GGG40) is suitable for extreme high and low temperatures
- 360° rope tensioner prevents rope slackening for added safety and performance
- Prevents overwrap and slack rope

2 PAINT



- Standard paint treatment in Yale yellow
- High-quality primer and top coats also available as standard

3 OVERLOAD PROTECTION



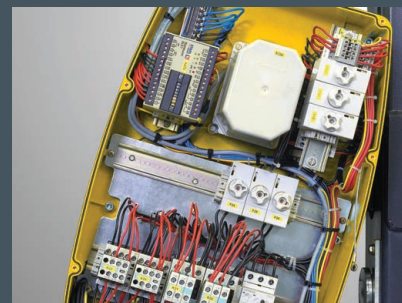
- Continuous electronic load monitoring when load is suspended
- Limitation on maximum load determined by load measurement at the rope anchorage point

4 PRECISION GEARING

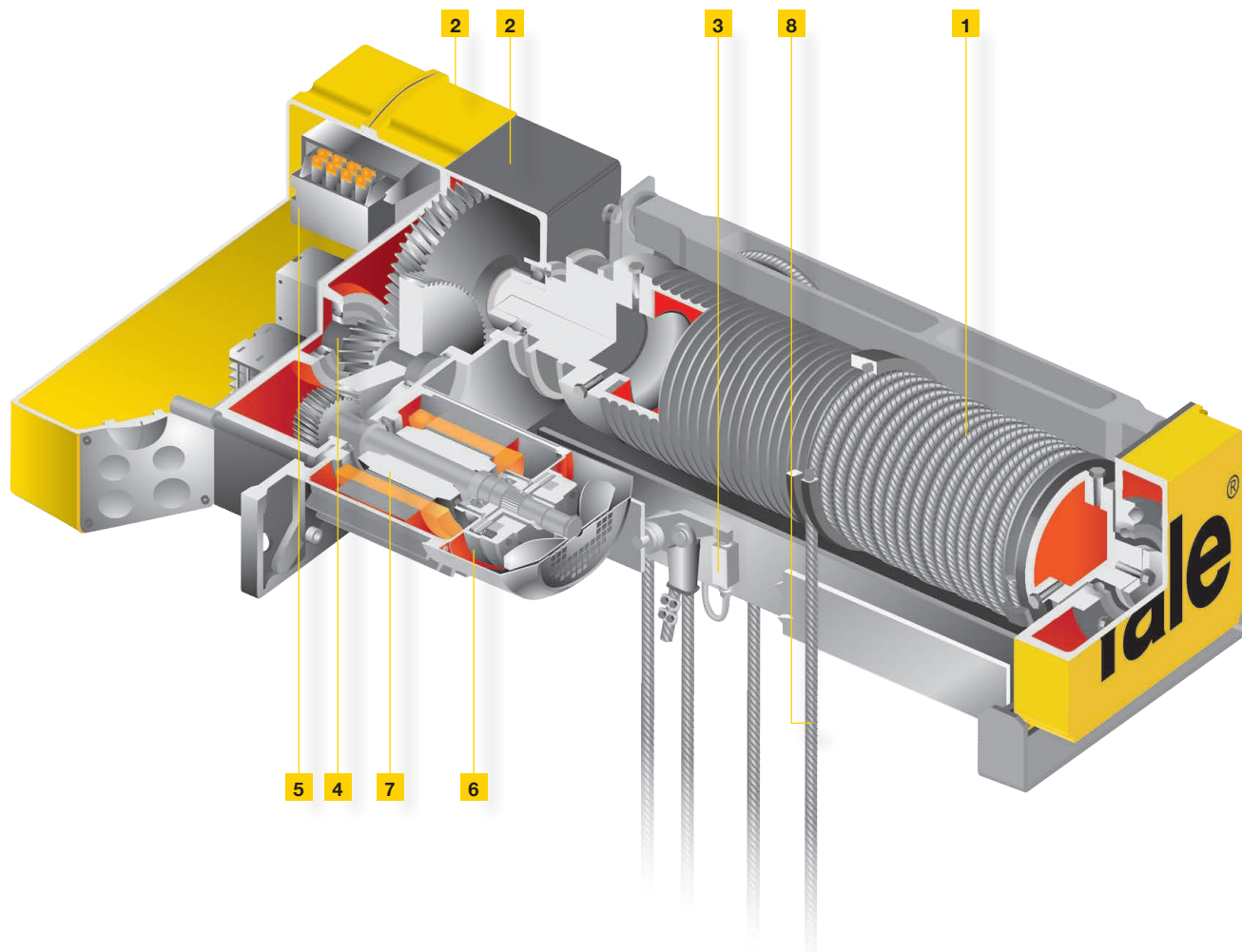


- Lifetime oil-lubricated gearbox means no oil change out is required
- Precision gearing for quiet operation
- Enclosed housing for maximum accuracy and stability

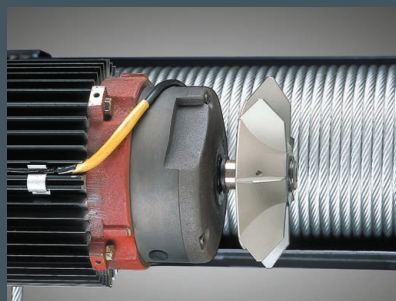
5 CONTROL PANEL



- Standard motor performance monitoring
- Inching operation is suppressed for reduced jogging
- Oversized contactors for added safety
- Standard temperature monitoring of hoist and travel motors
- UL508A control enclosure for hoist, trolley, and bridge motions



6 BRAKE



- Low-maintenance, asbestos-free brake needs no adjustment
- Oversized, heavy-duty brake for long service life
- Brake is easily accessible from the outside for ease of maintenance and inspection
- Motor management ensures low wear
- IP66 or NEMA 4/4X protection

7 MOTOR



- Specially designed motor specific to hoisting applications with high operational demands
- Classified according to FEM (ISO) with high duty cycle and switching operation frequency
- IP55 or NEMA 4/12, thermal class F
- Motor outside rope drum ensures highly efficient motor cooling and is easy to maintain
- PTC thermistors ensure reliable temperature control for slow or fast speeds
- Reliable operation, even with low voltage or heavy loads

8 BOTTOM BLOCK



- Optimal drum-to-sheave diameter ratio for reduced rope wear
- Wire rope is flexible and durable for long life
- Fine machining of drum reduces wear on rope and sheaves
- Drum is easily accessible for rope maintenance or replacement
- Robust bottom hook block with low headroom design for use in tight spaces

MAGNETEK VARIABLE FREQUENCY DRIVES

Combining Magnetek's reliable IMPULSE® Variable Frequency Drives with Yale YK's industry-leading design creates a one-of-a-kind, intelligent option for lifting applications. IMPULSE drives continuously monitor many environmental and functional components of a hoist, such as motor temperature, end of travel and slow down limits, brake functionality, motor speed, and more. Variable frequency drives maintain safe functional thresholds, which decreases mechanical fatigue and increases reliability and uptime.

For trolley motion, the IMPULSE®·G+ Mini drive allows for expanded speed adjustments, improved load control, high duty cycles, and increased crane life. The IMPULSE·G+ Mini's size permits the use of smaller control enclosures, reducing the overall cost of an installation.

Hardware and software are designed and extensively tested specifically for the operating conditions seen in overhead material handling applications. IMPULSE·G+ Mini is available for monorail, double girder, and base mount hoists with load capacities up to 30 tons.



IMPULSE·G+ MINI STANDARD FEATURES

SAFE OPERATING WINDOWS™

Reduce the possibility of programming unsafe parameters.

MOTOR THERMAL OVERLOAD PROTECTION

Reduces the possibility of motor damage.

X-PRESS PROGRAMMING™

Allows programming for initial setup within seconds.

QUICK STOP™

Reduces the possibility of crane collision.

SWIFT-LIFT™

Allows overspeeding with light loads or empty hook.

REVERSE PLUG SIMULATION™

Allows operators to smoothly and quickly stop and change directions without setting the brake.

AUTO-TUNING

Non-rational auto-tuning for performance demanding applications.

UL RECOGNIZED ELECTRONIC THERMAL OVERLOAD



For hoist motion, the IMPULSE®·VG+ Series 4 drive provides reliable, user-friendly controls and industry-leading features to keep you working safely. IMPULSE·VG+ is available for monorail, double girder, and base mount hoists with capacities up to 30 tons.

The easy-to-use keypad provides five lines of 16 characters each and includes soft keys and upgraded parameter selection. The display makes navigation and reading diagnostics even easier.

Allows For:

- Programming various drive parameters
- Parameter backup (store and copy)
- Monitoring functions of the drive
- Reading of alpha-numeric fault diagnostic instructions
- Remote monitoring



THE ADVANTAGE

Only Columbus McKinnon can offer the quality and performance of the Yale YK together with Magnetek, the premier name in crane controls.

IMPULSE·VG+ STANDARD FEATURES *Features are configurable by user



ENCODER FEEDBACK

IMPULSE drives continuously monitor motor speed and load to ensure optimal performance and safe load control.

DYNAMIC BRAKING

Dynamically decelerates motors without the use of brakes. Brakes would only be used for parking and emergency braking, reducing brake pad wear and tear.

ANTI-SHOCK*

Automatically stabilizes loads by detecting and minimizing rapid increases in motor torque, reducing the potential for crane damage.

ULTRA-LIFT™*

Allows overspeeding with light loads or empty hook. Motor speed can be adjusted to operate at peak performance.

LOAD FLOAT™

Allows a load to be held aloft at zero speed without setting the electric brake. This reduces wear and increases hoist lift response time.

BRAKE CHECK AT STOP

Tests that brakes can safely hold a load at the end of a run and the motor will maintain control of the load in case of brake failure.

SHORT CIRCUIT PROTECTION

Detects if a motor has a short circuit and can prevent additional failure of the control system.

LOAD CHECK II™*

Continuously monitors hoist overload conditions, halting upward motion and only allowing the load to be lowered.

PROGRAMMABLE LIMIT SWITCHES*

Allow for configurable slow down and stop limits based on encoder pulses without additional hardware.

SLACK CABLE DETECTION*

Provides annunciation of slack cable condition to operators.

PHASE LOSS DETECTION

Detects if incoming power phase is lost and maintains a safe state of the load.

TORQUE PROVING AT START

Determines if the motor can safely control a load before opening the brake to provide additional safety.

MICRO-SPEED™*

Allows operators to scale motor speed, which is useful for load positioning.

RADIO REMOTE CONTROLS

Magnetek's Flex EX2 series of radio remote controls are durable, rugged, and equipped with more than 200 programmable functions for system customization. A frequency agility feature automatically switches channels when interference is detected, and advanced synthesized RF controls with 124 channels add flexibility to frequency management in the field. IP66-rated, fully sealed transmitter and receiver enclosures provide protection in harsh environments.

Flex EX2 is available for all current wire rope hoist models, as well as crane kits with optional plug-and-play connector.



FLEX-48 QUICK SHIP PROGRAM

Yale YK monorail hoists and crane kits are available as Quick Ship units designed to ship in as little as 48 hours. The Flex-48 Quick Ship Program has proven to be the reliable and trusted solution when fast delivery is critical. One catalog, one shipment, one warehouse with world class delivery – ordering doesn't get any easier.

The Flex-48 Quick Ship program is available for five and 10-ton monorail hoists with 33 feet of lift. Flex-48 Quick Ship monorail crane kits are available as three, five, and 10-ton units. If the specifications of the Flex-48 Quick Ship models do not match your exact needs, please contact Columbus McKinnon for a quote.

FAST SHIPPING

For customers in the United States, Yale YK monorail hoists and crane kits are available as Quick Ship units shipping within 48 hours (two business days) directly from our factory in Wadesboro, North Carolina. Ordering is simple. Just pick a catalog number and choose your ideal hoist.



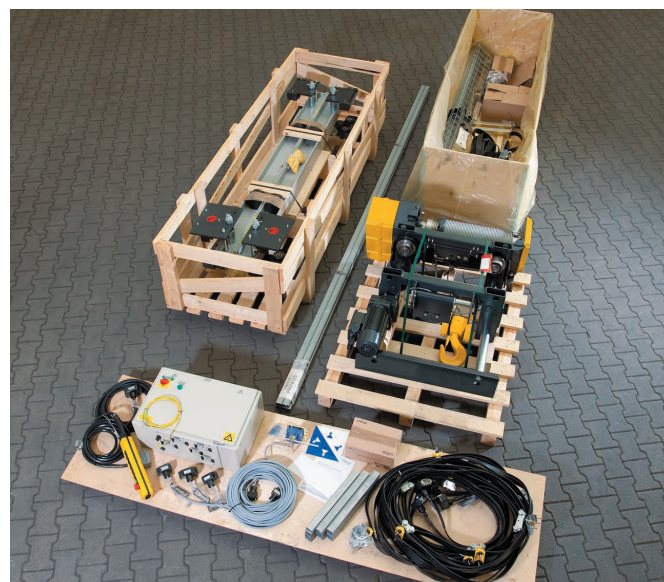
THE POWER TO CONFIGURE

The Yale YK is available on Compass™, Columbus McKinnon's online product configurator. Compass provides our U.S. partners with detailed technical data, drawings, and documentation for a formal quotation package, simplifying the configuration and order process.



CRANE KITS

Crane kits consolidate all the essential crane components into a plug-and-play system, including the Yale YK hoist and trolley, end trucks, festoon, pendant control or radio remote control, bridge panels with variable frequency drives, and optional travel limit switch, patented track wheels, towing arm, variable frequency drives for trolley motion, accessories, and documentation. Our high-quality crane component options are available to configure for unique applications. Columbus McKinnon's comprehensive crane kits are precisely designed, and components are matched to best suit application needs for top-running monorail or double girder units up to 30 tons, which ensures fast and easy on-site assembly. Kits can be quoted using Compass™, and are available to all Yale distributors.



All Yale YK crane kit standard components are approved and labeled as indicated below.

Components	Approval
Hoist, Trolley, and Bridge Motors	cCSAus
Hoist, Trolley, and Bridge Panels	UL508A
Magnetek Festooning Cables	CSA/UL
Magnetek SBP2® Pendant Pushbutton Stations	CSA/UL
Magnetek Pendant Cable	CSA/UL

CRANE KIT COMPONENTS

FESTOON SYSTEM

Connection housings are made from durable metal with spring loaded snap connections. Quick-connect plugs require no special tools or skills to “wire up.”

CONTROL PANEL

Bridge control panels with plug-and-play connections are standard with Magnetek's IMPULSE®-G+ Mini Variable Frequency Drives, which offer controlled acceleration and deceleration for smooth operation, reduced load swing, and extended drive train life.

ONLINE QUOTING TOOL

Compass is the easy-to-use online configurator that allows Yale distributors to easily prepare an estimate and generate clearance drawings.

RADIO REMOTE CONTROL (OPTIONAL)

The Flex EX2 series of radio remote controls are ergonomic, lightweight, and offer more than 200 programmable functions for customization. Fully sealed, IP66-rated transmitter and receiver enclosures offer protection in harsh environments.

HOIST & TROLLEY

Yale YK provides industry-leading technology and safety features with a low headroom design for maximum hook travel. Available for applications up to 30 tons.

END TRUCKS

Fitted with two removable (not welded) rail sweeps for easier inspection of the wheels, end trucks also feature two oversized hand holes for easy access to connection plate bolts.

SPECIFICATIONS

2-PART REEVED MONORAIL HOIST & TROLLEY

Product Number	Monorail Hoist & Trolley												
	Hoist						Trolley				Other Data		
	Capacity (Ton)	Reeving	Lift (ft)	Lift Speed (fpm)	Nominal Motor HP	Rating	Trolley Speed (fpm)	Motor HP	Wheel Dia. (in)	Beam Flange Range (in) [†]		Headroom (in) ^{††}	Net Weight (lb)
YKA-L01-039S239-2	1	2 PS	39	39/6.6	5.8/0.9	H4+	80/20	0.6/0.15	3 1/8	3 1/4	19 3/4	28 3/8	584
YKA-L01-066S239-2	1	2 PS	66	39/6.6	5.8/0.9	H4+		0.6/0.15	3 1/8	3 1/4	19 3/4	28 3/8	617
YKB-L02-040S231-2	2	2 PS	40	31/5.2	7.8/1.3	H4	80/20	0.6/0.15	4	3 5/8	19 3/4	30 7/8	672
YKB-L02-066S231-2	2	2 PS	66	31/5.2	7.8/1.3	H4		0.6/0.15	4	3 5/8	19 3/4	30 7/8	732
YKB-L02-040S239-2	2.75	2 PS	40	39/6.6	7.8/1.3	H4	80/20	0.6/0.15	4	3 5/8	19 3/4	30 7/8	672
YKB-L02-066S239-2	2.75	2 PS	66	39/6.6	7.8/1.3	H4		0.6/0.15	4	3 5/8	19 3/4	30 7/8	732
YKB-L02-131S239-2	2.75	2 PS	131	39/6.6	7.8/1.3	H4	80/20	0.6/0.15	4	3 5/8	19 3/4	35	866
YKB-L03-040S231-2	3	2 PS	40	31/5.2	7.8/1.3	H4		0.6/0.15	4	3 5/8	19 3/4	30 7/8	672
YKB-L03-066S231-2	3	2 PS	66	31/5.2	7.8/1.3	H4	80/20	0.6/0.15	4	3 5/8	19 3/4	30 7/8	732
YKC-L03-040S239-2	3	2 PS	40	39/6.6	14.8/2.1	H4+		0.9/0.2	5 1/2	4 5/8	19 3/4	34	1620
YKC-L03-066S239-2	3	2 PS	66	39/6.6	14.8/2.1	H4+	80/20	0.9/0.2	5 1/2	4 5/8	19 3/4	34	1709
YKC-L03-131S239-2	3	2 PS	131	39/6.6	14.8/2.1	H4+		0.9/0.2	5 1/2	4 5/8	19 3/4	44 3/4	2181
YKC-L04-040S239-2	4	2 PS	40	39/6.6	14.8/2.1	H4	80/20	0.9/0.2	5 1/2	4 5/8	19 3/4	34	1620
YKC-L04-066S239-2	4	2 PS	66	39/6.6	14.8/2.1	H4		0.9/0.2	5 1/2	4 5/8	19 3/4	34	1709
YKC-L04-131S239-2	4	2 PS	131	39/6.6	14.8/2.1	H4	80/20	0.9/0.2	5 1/2	4 5/8	19 3/4	44 3/4	2182
YKC-L05-040S239-2	5	2 PS	40	39/6.6	14.8/2.1	H4		0.9/0.2	5 1/2	4 5/8	19 3/4	34	1620
YKC-L05-066S239-2	5	2 PS	66	39/6.6	14.8/2.1	H4	80/20	0.9/0.2	5 1/2	4 5/8	19 3/4	34	1709
YKC-L05-131S239-2	5	2 PS	131	39/6.6	14.8/2.1	H4		0.9/0.2	5 1/2	4 5/8	19 3/4	44 3/4	2182
YKC-L06-040S225-2	6	2 PS	40	25/3.9	14.8/2.1	H4	80/20	0.9/0.2	5 1/2	4 5/8	19 3/4	35 7/8	1988
YKC-L06-066S225-2	6	2 PS	66	25/3.9	14.8/2.1	H4		0.9/0.2	5 1/2	4 5/8	19 3/4	35 7/8	2027
YKC-L07-040S225-2	7.5	2 PS	40	25/3.9	14.8/2.1	H4	80/20	0.9/0.2	5 1/2	4 5/8	19 3/4	35 7/8	1988
YKC-L07-066S225-2	7.5	2 PS	66	25/3.9	14.8/2.1	H4		0.9/0.2	5 1/2	4 5/8	19 3/4	35 7/8	2027
YKD-L07-056S225-2	7.5	2 PS	56	25/3.9	14.8/2.1	H4	80/20	0.9/0.2	7 7/8	4 7/8	19 3/4	41 1/2	2954
YKD-L07-093S225-2	7.5	2 PS	93	25/3.9	14.8/2.1	H4		0.9/0.2	7 7/8	4 7/8	19 3/4	57 1/2	3307

4-PART REEVED MONORAIL HOIST & TROLLEY

Product Number	Monorail Hoist & Trolley												
	Hoist						Trolley				Other Data		
	Capacity (Ton)	Reeving	Lift (ft)	Lift Speed (fpm)	Nominal Motor HP	Rating	Trolley Speed (fpm)	Motor HP	Wheel Dia. (in)	Beam Flange Range (in) [†]		Headroom (in) ^{††}	Net Weight (lb)
YKA-L02-020S420-2	2	4 PS	20	20/3.3	5.8/0.9	H4+	80/20	0.6/0.15	3 1/8	3 1/4	19 3/4	22 1/2	617
YKA-L02-033S420-2	2	4 PS	33	20/3.3	5.8/0.9	H4+		0.6/0.15	3 1/8	3 1/4	19 3/4	22 1/2	650
YKA-LD3-020S420-2	2.5	4 PS	20	20/3.3	5.8/0.9	H4	80/20	0.6/0.15	3 1/8	3 1/4	19 3/4	22 1/2	617
YKA-LD3-033S420-2	2.5	4 PS	33	20/3.3	5.8/0.9	H4		0.6/0.15	3 1/8	3 1/4	19 3/4	22 1/2	650
YKA-L03-020S420-2	3	4 PS	20	20/3.3	5.8/0.9	H4	80/20	0.6/0.15	3 1/8	3 1/4	19 3/4	22 1/2	617
YKA-L03-033S420-2	3	4 PS	33	20/3.3	5.8/0.9	H4		0.6/0.15	3 1/8	3 1/4	19 3/4	22 1/2	650
YKB-L04-020S420-2	4	4 PS	20	20/3.3	7.8/1.3	H4	80/20	0.6/0.15	4	3 5/8	19 3/4	26 5/8	728
YKB-L04-033S420-2	4	4 PS	33	20/3.3	7.8/1.3	H4		0.6/0.15	4	3 5/8	19 3/4	26 5/8	787
YKB-L04-066S420-2	4	4 PS	66	20/3.3	7.8/1.3	H4	80/20	0.6/0.15	4	3 5/8	19 3/4	26 5/8	921
YKB-L05-020S420-2	5	4 PS	20	20/3.3	7.8/1.3	H4		0.6/0.15	4	3 5/8	19 3/4	26 5/8	728
YKB-L05-033S420-2	5	4 PS	33	20/3.3	7.8/1.3	H4	80/20	0.6/0.15	4	3 5/8	19 3/4	26 5/8	787
YKB-L05-066S420-2	5	4 PS	66	20/3.3	7.8/1.3	H4		0.6/0.15	4	3 5/8	19 3/4	26 5/8	866
YKB-L06-020S416-2	6	4 PS	20	16/2.6	7.8/1.3	H4	80/20	0.6/0.15	4	3 5/8	19 3/4	26 5/8	728
YKB-L06-033S416-2	6	4 PS	33	16/2.6	7.8/1.3	H4		0.6/0.15	4	3 5/8	19 3/4	26 5/8	787
YKB-L07-020S416-2	7.5	4 PS	20	16/2.6	7.8/1.3	H4	80/20	0.9/0.2	4	3 5/8	19 3/4	26 5/8	728
YKB-L07-033S420-2	7.5	4 PS	33	16/2.6	7.8/1.3	H4		0.9/0.2	4	3 5/8	19 3/4	26 5/8	787
YKC-L07-066S420-2	7.5	4 PS	66	20/3.3	14.8/2.1	H4+	80/20	0.9/0.2	5 1/2	4 5/8	19 3/4	32	2116
YKC-L07-020S420-2	7.5	4 PS	20	20/3.3	14.8/2.1	H4+		0.9/0.2	5 1/2	4 5/8	19 3/4	32	1664
YKC-L07-033S420-2	7.5	4 PS	33	20/3.3	14.8/2.1	H4+	80/20	0.9/0.2	5 1/2	4 5/8	19 3/4	32	1753
YKC-L09-020S420-2	9	4 PS	20	20/3.3	14.8/2.1	H4		0.9/0.2	5 1/2	4 5/8	19 3/4	32	1664
YKC-L09-033S420-2	9	4 PS	33	20/3.3	14.8/2.1	H4	80/20	0.9/0.2	5 1/2	4 5/8	19 3/4	32	1753
YKC-L09-066S420-2	9	4 PS	66	20/3.3	14.8/2.1	H4		0.9/0.2	5 1/2	4 5/8	19 3/4	32	2116
YKC-L10-020S420-2	10	4 PS	20	20/3.3	14.8/2.1	H4	80/20	0.9/0.2	5 1/2	4 5/8	19 3/4	32	1664
YKC-L10-033S420-2	10	4 PS	33	20/3.3	14.8/2.1	H4		0.9/0.2	5 1/2	4 5/8	19 3/4	32	1753
YKC-L10-066S420-2	10	4 PS	66	20/3.3	14.8/2.1	H4	80/20	0.9/0.2	5 1/2	4 5/8	19 3/4	32	2116
YKC-L12-020S413-2	12 1/2	4 PS	20	13/2.0	14.8/2.1	H4		2.0/0.5	5 1/2	4 5/8	19 3/4	33 1/4	1764
YKC-L12-033S413-2	12 1/2	4 PS	33	13/2.0	14.8/2.1	H4	80/20	2.0/0.5	5 1/2	4 5/8	19 3/4	33 1/4	1852
YKC-L15-020S413-2	15	4 PS	20	13/2.0	14.8/2.1	H4		2.0/0.5	5 1/2	4 5/8	19 3/4	33 1/4	1764
YKC-L15-033S413-2	15	4 PS	33	13/2.0	14.8/2.1	H4	80/20	2.0/0.5	5 1/2	4 5/8	19 3/4	33 1/4	1852
YKC-L15-020S425-2	15	4 PS	20	25/3.9	26.8/4.5	H3		2.0/0.5	5 1/2	4 5/8	19 3/4	33 1/4	1922
YKC-L15-033S425-2	15	4 PS	33	25/3.9	26.8/4.5	H3	80/20	2.0/0.5	5 1/2	4 5/8	19 3/4	33 1/4	2024
YKD-L15-028S420-2	15	4 PS	28	20/3.3	26.8/4.5	H4		2.0/0.5	7 7/8	4 7/8	19 3/4	39 1/8	3131
YKD-L15-046S420-2	15	4 PS	46	20/3.3	26.8/4.5	H4	80/20	2.0/0.5	7 7/8	4 7/8	19 3/4	39 1/8	3483
YKD-L15-093S420-2	15	4 PS	93	20/3.3	26.8/4.5	H4		2.0/0.5	7 7/8	4 7/8	19 3/4	39 1/8	4034
YKE-S20-020S416-2	20	4 PS	20	16/2.6	26.8/4.5	H4	80/20	2x 0.9/0.2	7 7/8	7 2/8	19 3/4	63 3/4	5302
YKE-S20-033S416-2	20	4 PS	33	16/2.6	26.8/4.5	H4		2x 0.9/0.2	7 7/8	7 2/8	19 3/4	63 3/4	5818
YKE-S20-066S416-2	20	4 PS	66	16/2.6	26.8/4.5	H4	80/20	2x 0.9/0.2	7 7/8	7 2/8	19 3/4	63 3/4	7028
YKE-S25-020S412-2	25	4 PS	20	12/2.0	26.8/4.5	H4		2x 0.9/0.2	7 7/8	7 2/8	19 3/4	63 3/4	5302
YKE-S25-033S412-2	25	4 PS	33	12/2.0	26.8/4.5	H4	80/20	2x 0.9/0.2	7 7/8	7 2/8	19 3/4	63 3/4	5818
YKE-S25-066S412-2	25	4 PS	66	12/2.0	26.8/4.5	H4		2x 0.9/0.2	7 7/8	7 2/8	19 3/4	63 3/4	7028
YKE-S30-020S410-2	30	4 PS	20	10/1.6	26.8/4.5	H3	80/20	2x 0.9/0.2	7 7/8	7 2/8	19 3/4	63 3/4	5401
YKE-S30-033S410-2	30	4 PS	33	10/1.6	26.8/4.5	H3		2x 0.9/0.2	7 7/8	7 2/8	19 3/4	63 3/4	5917
YKE-S30-066S410-2	30	4 PS	66	10/1.6	26.8/4.5	H3	2x 0.9/0.2	7 7/8	7 2/8	19 3/4	63 3/4	7128	

† Give proper beam flange width when ordering, no extra charge. †† Headroom values may vary depending on trolley flange adjustment.

2-PART REEVED DOUBLE GIRDER TOP RUNNING HOIST & TROLLEY OR BASE MOUNT HOIST

Product Number	Top Running Hoist & Trolley										Base Mount Hoist	
	Hoist						Trolley			Other Data		Hoist
	Capacity (Ton)	Reeving	Lift (ft)	Lift Speed (fpm)	Nominal Motor HP	Rating	Trolley Speed (fpm)	Motor HP	Gauge (in)	Headroom (in)	Net Weight (lb)	Net Weight (lb)
YKA-†01-039S239-2-48	1	2 PS	39	39/6.6	5.8/0.9	H4	80/20	0.6/0.15	48	16 1/8	648	320
YKA-†01-066S239-2-54	1	2 PS	66	39/6.6	5.8/0.9	H4		0.6/0.15	54	16 1/8	681	342
YKB-†02-040S231-2-54	2	2 PS	40	31/5.2	7.8/1.3	H4	80/20	0.9/0.2	54	16 3/8	759	419
YKB-†02-040S231-2-60	2	2 PS	40	31/5.2	7.8/1.3	H4		0.9/0.2	60	16 3/8	770	
YKB-†02-040S231-2-66	2	2 PS	40	31/5.2	7.8/1.3	H4	80/20	0.9/0.2	66	16 3/8	782	452
YKB-†02-066S231-2-60	2	2 PS	66	31/5.2	7.8/1.3	H4		0.9/0.2	60	16 3/8	815	
YKB-†02-066S231-2-66	2	2 PS	66	31/5.2	7.8/1.3	H4	80/20	0.9/0.2	66	16 3/8	828	419
YKB-†02-066S231-2-72	2	2 PS	66	31/5.2	7.8/1.3	H4		0.9/0.2	72	16 3/8	840	
YKB-†02-040S239-2-54	2.75	2 PS	40	39/6.6	7.8/1.3	H4	80/20	0.9/0.2	54	16 3/8	759	419
YKB-†02-040S239-2-60	2.75	2 PS	40	39/6.6	7.8/1.3	H4		0.9/0.2	60	16 3/8	770	
YKB-†02-040S239-2-66	2.75	2 PS	40	39/6.6	7.8/1.3	H4	80/20	0.9/0.2	66	16 3/8	782	452
YKB-†02-066S239-2-60	2.75	2 PS	66	39/6.6	7.8/1.3	H4		0.9/0.2	60	16 3/8	815	
YKB-†02-066S239-2-66	2.75	2 PS	66	39/6.6	7.8/1.3	H4	80/20	0.9/0.2	66	16 3/8	828	419
YKB-†02-066S239-2-72	2.75	2 PS	66	39/6.6	7.8/1.3	H4		0.9/0.2	72	16 3/8	840	
YKB-†02-131S239-2-84	2.75	2 PS	131	39/6.6	7.8/1.3	H4	80/20	0.9/0.2	84	16 3/8	944	571
YKB-†03-040S231-2-54	3	2 PS	40	31/5.2	7.8/1.3	H4		0.9/0.2	54	16 3/8	759	
YKB-†03-040S231-2-60	3	2 PS	40	31/5.2	7.8/1.3	H4	80/20	0.9/0.2	60	16 3/8	770	419
YKB-†03-040S231-2-66	3	2 PS	40	31/5.2	7.8/1.3	H4		0.9/0.2	66	16 3/8	782	
YKB-†03-066S231-2-60	3	2 PS	66	31/5.2	7.8/1.3	H4	80/20	0.9/0.2	60	24 3/4	815	452
YKB-†03-066S231-2-66	3	2 PS	66	31/5.2	7.8/1.3	H4		0.9/0.2	66	24 3/4	828	
YKB-†03-066S231-2-72	3	2 PS	66	31/5.2	7.8/1.3	H4	80/20	0.9/0.2	72	24 3/4	840	963
YKC-†03-040S239-2-60	3	2 PS	40	39/6.6	14.8/2.1	H4+		0.9/0.2	60	24 3/4	1591	
YKC-†03-040S239-2-66	3	2 PS	40	39/6.6	14.8/2.1	H4+	80/20	0.9/0.2	66	24 3/4	1609	1029
YKC-†03-040S239-2-72	3	2 PS	40	39/6.6	14.8/2.1	H4+		0.9/0.2	72	24 3/4	1627	
YKC-†03-066S239-2-60	3	2 PS	66	39/6.6	14.8/2.1	H4+	80/20	0.9/0.2	60	24 3/4	1636	1272
YKC-†03-066S239-2-66	3	2 PS	66	39/6.6	14.8/2.1	H4+		0.9/0.2	66	24 3/4	1656	
YKC-†03-066S239-2-72	3	2 PS	66	39/6.6	14.8/2.1	H4+	80/20	0.9/0.2	72	24 3/4	1675	1029
YKC-†03-066S239-2-78	3	2 PS	66	39/6.6	14.8/2.1	H4+		0.9/0.2	78	24 3/4	1691	
YKC-†03-131S239-2-84	3	2 PS	131	39/6.6	14.8/2.1	H4+	80/20	0.9/0.2	84	24 3/4	1907	1272
YKC-†04-040S239-2-60	4	2 PS	40	39/6.6	14.8/2.1	H4		0.9/0.2	60	24 3/4	1591	
YKC-†04-040S239-2-66	4	2 PS	40	39/6.6	14.8/2.1	H4	80/20	0.9/0.2	66	24 3/4	1609	963
YKC-†04-040S239-2-72	4	2 PS	40	39/6.6	14.8/2.1	H4		0.9/0.2	72	24 3/4	1627	
YKC-†04-066S239-2-60	4	2 PS	66	39/6.6	14.8/2.1	H4	80/20	0.9/0.2	60	24 3/4	1636	1029
YKC-†04-066S239-2-66	4	2 PS	66	39/6.6	14.8/2.1	H4		0.9/0.2	66	24 3/4	1656	
YKC-†04-066S239-2-72	4	2 PS	66	39/6.6	14.8/2.1	H4	80/20	0.9/0.2	72	24 3/4	1675	1272
YKC-†04-066S239-2-78	4	2 PS	66	39/6.6	14.8/2.1	H4		0.9/0.2	78	24 3/4	1691	
YKC-†04-131S239-2-84	4	2 PS	131	39/6.6	14.8/2.1	H4	80/20	0.9/0.2	84	24 3/4	1907	963
YKC-†05-040S239-2-60	5	2 PS	40	39/6.6	14.8/2.1	H4		0.9/0.2	60	24 3/4	1591	
YKC-†05-040S239-2-66	5	2 PS	40	39/6.6	14.8/2.1	H4	80/20	0.9/0.2	66	24 3/4	1609	1029
YKC-†05-040S239-2-72	5	2 PS	40	39/6.6	14.8/2.1	H4		0.9/0.2	72	24 3/4	1627	
YKC-†05-066S239-2-60	5	2 PS	66	39/6.6	14.8/2.1	H4	80/20	0.9/0.2	60	24 3/4	1636	1272
YKC-†05-066S239-2-66	5	2 PS	66	39/6.6	14.8/2.1	H4		0.9/0.2	66	24 3/4	1656	
YKC-†05-066S239-2-72	5	2 PS	66	39/6.6	14.8/2.1	H4	80/20	0.9/0.2	72	24 3/4	1675	963
YKC-†05-066S239-2-78	5	2 PS	66	39/6.6	14.8/2.1	H4		0.9/0.2	78	24 3/4	1691	
YKC-†05-131S239-2-84	5	2 PS	131	39/6.6	14.8/2.1	H4	80/20	0.9/0.2	84	24 3/4	1907	1029
YKC-†06-040S225-2-60	6	2 PS	40	25/3.9	14.8/2.1	H4		0.9/0.2	60	25	1856	
YKC-†06-040S225-2-66	6	2 PS	40	25/3.9	14.8/2.1	H4	80/20	0.9/0.2	66	25	1888	963
YKC-†06-040S225-2-72	6	2 PS	40	25/3.9	14.8/2.1	H4		0.9/0.2	72	25	1920	
YKC-†06-066S225-2-60	6	2 PS	66	25/3.9	14.8/2.1	H4	80/20	0.9/0.2	66	25	1954	1029
YKC-†06-066S225-2-72	6	2 PS	66	25/3.9	14.8/2.1	H4		0.9/0.2	72	25	901	
YKC-†06-066S225-2-78	6	2 PS	66	25/3.9	14.8/2.1	H4	80/20	0.9/0.2	78	25	2018	963
YKC-†07-040S225-2-60	7.5	2 PS	40	25/3.9	14.8/2.1	H4		0.9/0.2	60	25	1856	
YKC-†07-040S225-2-66	7.5	2 PS	40	25/3.9	14.8/2.1	H4	80/20	0.9/0.2	66	25	1888	1029
YKC-†07-040S225-2-72	7.5	2 PS	40	25/3.9	14.8/2.1	H4		0.9/0.2	72	25	1920	
YKC-†07-066S225-2-60	7.5	2 PS	66	25/3.9	14.8/2.1	H4	80/20	0.9/0.2	66	25	1954	1682
YKC-†07-066S225-2-72	7.5	2 PS	66	25/3.9	14.8/2.1	H4		0.9/0.2	72	25	1986	
YKC-†07-066S225-2-78	7.5	2 PS	66	25/3.9	14.8/2.1	H4	80/20	0.9/0.2	78	25	2018	1803
YKD-†07-056S225-2-60	7.5	2 PS	56	25/3.9	14.8/2.1	H4		0.9/0.2	66	27 3/4	2522	
YKD-†07-056S225-2-72	7.5	2 PS	56	25/3.9	14.8/2.1	H4	80/20	0.9/0.2	72	27 3/4	2549	452
YKD-†07-056S225-2-78	7.5	2 PS	56	25/3.9	14.8/2.1	H4		0.9/0.2	78	27 3/4	2583	
YKD-†07-093S225-2-66	7.5	2 PS	93	25/3.9	14.8/2.1	H4	80/20	0.9/0.2	66	27 3/4	2625	485
YKD-†07-093S225-2-72	7.5	2 PS	93	25/3.9	14.8/2.1	H4		0.9/0.2	72	27 3/4	2658	
YKD-†07-093S225-2-78	7.5	2 PS	93	25/3.9	14.8/2.1	H4	80/20	0.9/0.2	78	27 3/4	2689	566

* Headroom from top of rail to top of hoist. † Insert B for base mount or T for top running. Note: UL508A labeled controls are standard for all models.

4-PART REEVED DOUBLE GIRDER TOP RUNNING HOIST & TROLLEY OR BASE MOUNT HOIST

Product Number	Top Running Hoist & Trolley										Base Mount Hoist	
	Hoist						Trolley			Other Data		Hoist
	Capacity (Ton)	Reeving	Lift (ft)	Lift Speed (fpm)	Nominal Motor HP	Rating	Trolley Speed (fpm)	2 Speed Trolley Motor HP	Gauge (in)	Headroom (in)*	Net Weight (lb)	Net Weight (lb)
YKA-†02-020S420-2-48	2	4 PS	20	20/3.3	5.8/0.9	H4+	80/20	0.6/0.15	48	16 1/8	681	353
YKA-†02-033S420-2-54	2	4 PS	33	20/3.3	5.8/0.9	H4+	80/20	0.6/0.15	54	16 1/8	714	375
YKA-†03-020S420-2-48	2 1/2	4 PS	20	20/3.3	5.8/0.9	H4	80/20	0.6/0.15	48	16 1/8	681	353
YKA-†03-033S420-2-54	2 1/2	4 PS	33	20/3.3	5.8/0.9	H4	80/20	0.6/0.15	54	16 1/8	714	375
YKA-†03-020S420-2-48	3	4 PS	20	20/3.3	5.8/0.9	H4	80/20	0.6/0.15	48	16 1/8	681	353
YKA-†03-033S420-2-54	3	4 PS	33	20/3.3	5.8/0.9	H4	80/20	0.6/0.15	54	16 1/8	714	375
YKB-†04-020S420-2-54	4	4 PS	20	20/3.3	7.8/1.3	H4	80/20	0.9/0.2	54	16 3/8	803	452
YKB-†04-020S420-2-60	4	4 PS	20	20/3.3	7.8/1.3	H4	80/20	0.9/0.2	60	16 3/8	815	
YKB-†04-020S420-2-66	4	4 PS	20	20/3.3	7.8/1.3	H4	80/20	0.9/0.2	66	16 3/8	827	485
YKB-†04-033S420-2-60	4	4 PS	33	20/3.3	7.8/1.3	H4	80/20	0.9/0.2	60	16 3/8	859	
YKB-†04-033S420-2-66	4	4 PS	33	20/3.3	7.8/1.3	H4	80/20	0.9/0.2	66	16 3/8	872	1803
YKB-†04-033S420-2-72	4	4 PS	33	20/3.3	7.8/1.3	H4	80/20	0.9/0.2	72	16 3/8	884	
YKB-†04-066S420-2-84	4	4 PS	66	20/3.3	7.8/1.3	H4	80/20	0.9/0.2	84	16 3/8	988	566

4-PART REEVED DOUBLE GIRDER TOP RUNNING HOIST & TROLLEY OR BASE MOUNT HOIST

Product Number	Top Running Hoist & Trolley											Base Mount Hoist
	Hoist						Trolley			Other Data		Hoist
	Capacity (Ton)	Reeving	Lift (ft)	Lift Speed (fpm)	Nominal Motor HP	Rating	Trolley Speed (fpm)	2 Speed Trolley Motor HP	Gauge (in)	Headroom (in)*	Net Weight (lb)	Net Weight (lb)
YKB-†05-020S420-2-54	5	4 PS	20	20/3.3	7.8/1.3	H4	80/20	0.9/0.2	54	16 3/8	803	
YKB-†05-020S420-2-60	5	4 PS	20	20/3.3	7.8/1.3	H4	80/20	0.9/0.2	60	16 3/8	815	452
YKB-†05-020S420-2-66	5	4 PS	20	20/3.3	7.8/1.3	H4	80/20	0.9/0.2	66	16 3/8	827	
YKB-†05-033S420-2-60	5	4 PS	33	20/3.3	7.8/1.3	H4	80/20	0.9/0.2	60	16 3/8	859	
YKB-†05-033S420-2-66	5	4 PS	33	20/3.3	7.8/1.3	H4	80/20	0.9/0.2	66	16 3/8	872	485
YKB-†05-033S420-2-72	5	4 PS	33	20/3.3	7.8/1.3	H4	80/20	0.9/0.2	72	16 3/8	884	
YKB-†05-066S420-2-84	5	4 PS	66	20/3.3	7.8/1.3	H4	80/20	0.9/0.2	84	16 3/8	988	566
YKB-†06-020S416-2-54	6	4 PS	20	16/2.6	7.8/1.3	H4	80/20	0.9/0.2	54	16 3/8	803	
YKB-†06-020S416-2-60	6	4 PS	20	16/2.6	7.8/1.3	H4	80/20	0.9/0.2	60	16 3/8	815	452
YKB-†06-020S416-2-66	6	4 PS	20	16/2.6	7.8/1.3	H4	80/20	0.9/0.2	66	16 3/8	827	
YKB-†06-033S416-2-60	6	4 PS	33	16/2.6	7.8/1.3	H4	80/20	0.9/0.2	60	16 3/8	859	
YKB-†06-033S416-2-66	6	4 PS	33	16/2.6	7.8/1.3	H4	80/20	0.9/0.2	66	16 3/8	872	485
YKB-†06-033S416-2-72	6	4 PS	33	16/2.6	7.8/1.3	H4	80/20	0.9/0.2	72	16 3/8	884	
YKB-†07-020S416-2-60	7 1/2	4 PS	20	16/2.6	7.8/1.3	H4	80/20	0.9/0.2	60	16 3/8	815	
YKB-†07-020S416-2-66	7 1/2	4 PS	20	16/2.6	7.8/1.3	H4	80/20	0.9/0.2	66	16 3/8	827	452
YKB-†07-033S416-2-72	7 1/2	4 PS	33	16/2.6	7.8/1.3	H4	80/20	0.9/0.2	72	16 3/8	884	485
YKC-†07-020S420-2-60	7 1/2	4 PS	20	20/3.3	14.8/2.1	H4+	80/20	0.9/0.2	60	24 3/4	1679	
YKC-†07-020S420-2-66	7 1/2	4 PS	20	20/3.3	14.8/2.1	H4+	80/20	0.9/0.2	66	24 3/4	1697	1084
YKC-†07-020S420-2-72	7 1/2	4 PS	20	20/3.3	14.8/2.1	H4+	80/20	0.9/0.2	72	24 3/4	1715	
YKC-†07-033S420-2-60	7 1/2	4 PS	33	20/3.3	14.8/2.1	H4+	80/20	0.9/0.2	60	24 3/4	1725	
YKC-†07-033S420-2-66	7 1/2	4 PS	33	20/3.3	14.8/2.1	H4+	80/20	0.9/0.2	66	24 3/4	1744	
YKC-†07-033S420-2-72	7 1/2	4 PS	33	20/3.3	14.8/2.1	H4+	80/20	0.9/0.2	72	24 3/4	1763	1162
YKC-†07-033S420-2-78	7 1/2	4 PS	33	20/3.3	14.8/2.1	H4+	80/20	0.9/0.2	78	24 3/4	1780	
YKC-†07-066S420-2-96	7 1/2	4 PS	66	20/3.3	14.8/2.1	H4+	80/20	0.9/0.2	96	24 3/4	1920	1316
YKC-†09-020S420-2-60	9	4 PS	20	20/3.3	14.8/2.1	H4	80/20	0.9/0.2	60	24 3/4	1679	
YKC-†09-020S420-2-66	9	4 PS	20	20/3.3	14.8/2.1	H4	80/20	0.9/0.2	66	24 3/4	1697	1084
YKC-†09-020S420-2-72	9	4 PS	20	20/3.3	14.8/2.1	H4	80/20	0.9/0.2	72	24 3/4	1715	
YKC-†09-033S420-2-60	9	4 PS	33	20/3.3	14.8/2.1	H4	80/20	0.9/0.2	60	24 3/4	1725	
YKC-†09-033S420-2-66	9	4 PS	33	20/3.3	14.8/2.1	H4	80/20	0.9/0.2	66	24 3/4	1744	
YKC-†09-033S420-2-72	9	4 PS	33	20/3.3	14.8/2.1	H4	80/20	0.9/0.2	72	24 3/4	1763	1162
YKC-†09-033S420-2-78	9	4 PS	33	20/3.3	14.8/2.1	H4	80/20	0.9/0.2	78	24 3/4	1780	
YKC-†09-066S420-2-96	9	4 PS	66	20/3.3	14.8/2.1	H4	80/20	0.9/0.2	96	24 3/4	1920	1316
YKC-†10-020S420-2-60	10	4 PS	20	20/3.3	14.8/2.1	H4	80/20	0.9/0.2	60	24 3/4	1679	
YKC-†10-020S420-2-66	10	4 PS	20	20/3.3	14.8/2.1	H4	80/20	0.9/0.2	66	24 3/4	1697	1084
YKC-†10-020S420-2-72	10	4 PS	20	20/3.3	14.8/2.1	H4	80/20	0.9/0.2	72	24 3/4	1715	
YKC-†10-033S420-2-60	10	4 PS	33	20/3.3	14.8/2.1	H4	80/20	0.9/0.2	60	24 3/4	1725	
YKC-†10-033S420-2-66	10	4 PS	33	20/3.3	14.8/2.1	H4	80/20	0.9/0.2	66	24 3/4	1744	
YKC-†10-033S420-2-72	10	4 PS	33	20/3.3	14.8/2.1	H4	80/20	0.9/0.2	72	24 3/4	1763	1162
YKC-†10-033S420-2-78	10	4 PS	33	20/3.3	14.8/2.1	H4	80/20	0.9/0.2	78	24 3/4	1780	
YKC-†10-066S420-2-96	10	4 PS	66	20/3.3	14.8/2.1	H4	80/20	0.9/0.2	96	24 3/4	1920	1316
YKC-†12-020S413-2-60	12 1/2	4 PS	20	13/2.0	14.8/2.1	H4	80/20	2.0/0.5	60	25	2033	
YKC-†12-020S413-2-66	12 1/2	4 PS	20	13/2.0	14.8/2.1	H4	80/20	2.0/0.5	66	25	2065	1091
YKC-†12-020S413-2-72	12 1/2	4 PS	20	13/2.0	14.8/2.1	H4	80/20	2.0/0.5	72	25	2097	
YKC-†12-033S413-2-66	12 1/2	4 PS	33	13/2.0	14.8/2.1	H4	80/20	2.0/0.5	66	25	2131	
YKC-†12-033S413-2-72	12 1/2	4 PS	33	13/2.0	14.8/2.1	H4	80/20	2.0/0.5	72	25	2163	1168
YKC-†12-033S413-2-78	12 1/2	4 PS	33	13/2.0	14.8/2.1	H4	80/20	2.0/0.5	78	25	2195	
YKC-†15-020S413-2-60	15	4 PS	20	13/2.0	14.8/2.1	H4	80/20	2.0/0.5	60	25	2033	
YKC-†15-020S413-2-66	15	4 PS	20	13/2.0	14.8/2.1	H4	80/20	2.0/0.5	66	25	2065	1091
YKC-†15-020S413-2-72	15	4 PS	20	13/2.0	14.8/2.1	H4	80/20	2.0/0.5	72	25	2097	
YKC-†15-033S413-2-66	15	4 PS	33	13/2.0	14.8/2.1	H4	80/20	2.0/0.5	66	25	2131	
YKC-†15-033S413-2-72	15	4 PS	33	13/2.0	14.8/2.1	H4	80/20	2.0/0.5	72	25	2163	1168
YKC-†15-033S413-2-78	15	4 PS	33	13/2.0	14.8/2.1	H4	80/20	2.0/0.5	78	25	2195	
YKC-†15-020S425-2-60	15	4 PS	20	25/3.9	26.8/4.5	H3	80/20	2.0/0.5	60	25	1988	
YKC-†15-020S425-2-66	15	4 PS	20	25/3.9	26.8/4.5	H3	80/20	2.0/0.5	66	25	2020	1091
YKC-†15-020S425-2-72	15	4 PS	20	25/3.9	26.8/4.5	H3	80/20	2.0/0.5	72	25	2053	
YKC-†15-033S425-2-66	15	4 PS	33	25/3.9	26.8/4.5	H3	80/20	2.0/0.5	66	25	2087	
YKC-†15-033S425-2-72	15	4 PS	33	25/3.9	26.8/4.5	H3	80/20	2.0/0.5	72	25	2119	1168
YKC-†15-033S425-2-78	15	4 PS	33	25/3.9	26.8/4.5	H3	80/20	2.0/0.5	78	25	2151	
YKD-†15-028S420-2-66	15	4 PS	28	20/3.3	26.8/4.5	H4	80/20	2.0/0.5	66	27 3/4	2997	
YKD-†15-028S420-2-72	15	4 PS	28	20/3.3	26.8/4.5	H4	80/20	2.0/0.5	72	27 3/4	3027	1917
YKD-†15-028S420-2-78	15	4 PS	28	20/3.3	26.8/4.5	H4	80/20	2.0/0.5	78	27 3/4	3062	
YKD-†15-046S420-2-66	15	4 PS	46	20/3.3	26.8/4.5	H4	80/20	2.0/0.5	66	27 3/4	3096	
YKD-†15-046S420-2-72	15	4 PS	46	20/3.3	26.8/4.5	H4	80/20	2.0/0.5	72	27 3/4	3127	2039
YKD-†15-046S420-2-78	15	4 PS	46	20/3.3	26.8/4.5	H4	80/20	2.0/0.5	78	27 3/4	3161	
YKD-†15-093S420-2-90	15	4 PS	93	20/3.3	26.8/4.5	H4	80/20	2.0/0.5	90	27 3/4	3482	2457
YKE-†20-020S416-2-66	20	4 PS	20	16/2.6	26.8/4.5	H4	80/20	2.0/0.5	66	27 3/4	3464	
YKE-†20-020S416-2-72	20	4 PS	20	16/2.6	26.8/4.5	H4	80/20	2.0/0.5	72	27 3/4	3503	2270
YKE-†20-020S416-2-78	20	4 PS	20	16/2.6	26.8/4.5	H4	80/20	2.0/0.5	78	27 3/4	3545	
YKE-†20-033S416-2-66	20	4 PS	33	16/2.6	26.8/4.5	H4	80/20	2.0/0.5	66	27 3/4	3604	
YKE-†20-033S416-2-72	20	4 PS	33	16/2.6	26.8/4.5	H4	80/20	2.0/0.5	72	27 3/4	3646	2435
YKE-†20-033S416-2-78	20	4 PS	33	16/2.6	26.8/4.5	H4	80/20	2.0/0.5	78	27 3/4	3684	
YKE-†20-066S416-2-90	20	4 PS	66	16/2.6	26.8/4.5	H4	80/20	2.0/0.5	90	27 3/4	4103	2942
YKE-†25-020S412-2-66	25	4 PS	20	12/2.0	26.8/4.5	H4	80/20	2.0/0.5	66	27 3/4	3464	
YKE-†25-020S412-2-72	25	4 PS	20	12/2.0	26.8/4.5	H4	80/20	2.0/0.5	72	27 3/4	3503	2270
YKE-†25-020S412-2-78	25	4 PS	20	12/2.0	26.8/4.5	H4	80/20	2.0/0.5	78	27 3/4	3545	
YKE-†25-033S412-2-66	25	4 PS	33	12/2.0	26.8/4.5	H4	80/20	2.0/0.5	66	27 3/4	3604	
YKE-†25-033S412-2-72	25	4 PS	33	12/2.0	26.8/4.5	H4	80/20	2.0/0.5	72	27 3/4	3646	2435
YKE-†25-033S412-2-78	25	4 PS	33	12/2.0	26.8/4.5	H4	80/20	2.0/0.5	78	27 3/4	3684	
YKE-†25-066S412-2-90	25	4 PS	66	12/2.0	26.8/4.5	H4	80/20	2.0/0.5	90	27 3/4	4103	2942
YKE-†30-020S410-2-66	30	4 PS	20	10/1.6	26.8/4.5	H3	80/20	3.3/0.8	66	27 3/4	3464	
YKE-†30-020S410-2-72	30	4 PS	20	10/1.6	26.8/4.5	H3	80/20	3.3/0.8	72	27 3/4	3503	2270
YKE-†30-020S410-2-78	30	4 PS	20	10/1.6	26.8/4.5	H3	80/20	3.3/0.8	78	27 3/4	3545	
YKE-†30-020S410-2-90	30	4 PS	20	10/1.6	26.8/4.5	H3	80/20	3.3/0.8	90	27 3/4	3627	
YKE-†30-033S410-2-66	30	4 PS	33	10/1.6	26.8/4.5	H3	80/20	3.3/0.8	66	27 3/4	3604	
YKE-†30-033S410-2-72	30	4 PS	33	10/1.6	26.8/4.5	H3	80/20	3.3/0.8	72	27 3/4	3646	2435
YKE-†30-033S410-2-78	30	4 PS	33	10/1.6	26.8/4.5	H3	80/20	3.3/0.8	78	27 3/4	3684	
YKE-†30-033S410-2-90	30	4 PS	33	10/1.6	26.8/4.5	H3	80/20	3.3/0.8	90	27 3/4	3761	
YKE-†30-066S410-2-102	30	4 PS	66	10/1.6	26.8/4.5	H3	80/20	3.3/0.8	102	27 3/4	4187	2942

* Headroom from top of rail to top of hoist.

† Insert B for base mount or T for top running.

Note: UL508A labeled controls are standard for all models.

INDUSTRY-LEADING SERVICE & TRAINING

With a legacy spanning over 140 years, Columbus McKinnon's best-in-class products are used around the world. Developed by our team of product managers, engineers, and manufacturing professionals, our products are designed for top-of-the-line performance, reliability, and safety. When you need help selecting the best Columbus McKinnon product or system for your lifting application or assistance with routine maintenance, we are here for you.

Columbus McKinnon is committed to developing products that meet the highest levels of quality, right down to the smallest details. Our highly trained team of service technicians offers superior aftermarket support, available to you 24/7, 365 days a year.

1.833.SVC.CMCO (1.833.782.2626)



KNOW HOW. KNOW WHY.

Columbus McKinnon partners with you every step of the way, with products designed to maximize the performance of your system, start-up, and field assistance, programs designed to train you on optimal product usage, and quick, value-driven product repair and recertification when you need it.

Whether you need training for crane or component operation, installation, or maintenance, Columbus McKinnon has a course for you. We offer a wide variety of training opportunities ranging from overhead crane and hoist inspection certification to mobile crane operator training. We offer comprehensive in-house, on-site, and regional opportunities and are continuously adding programs customized to your specific needs and applications.

- Overhead Crane & Hoist Inspection Certification
- Overhead Crane & Hoist Frequent Inspection Course
- Rigging & Crane Operator Safety
- CMCO University™
- Static Stepless Crane Controls
- IMPULSE® AC Drive Training
- DC Drive Training
- Radio Remote Control Training
- Mondel Brake Training





CRANE SOLUTIONS



MAGNETEK



UNIFIED



Partners In Motion Control

USA 800.888.0985 • 716.689.5400

www.cmworks.com

