

Reel
MASTER

 **SAMSON**

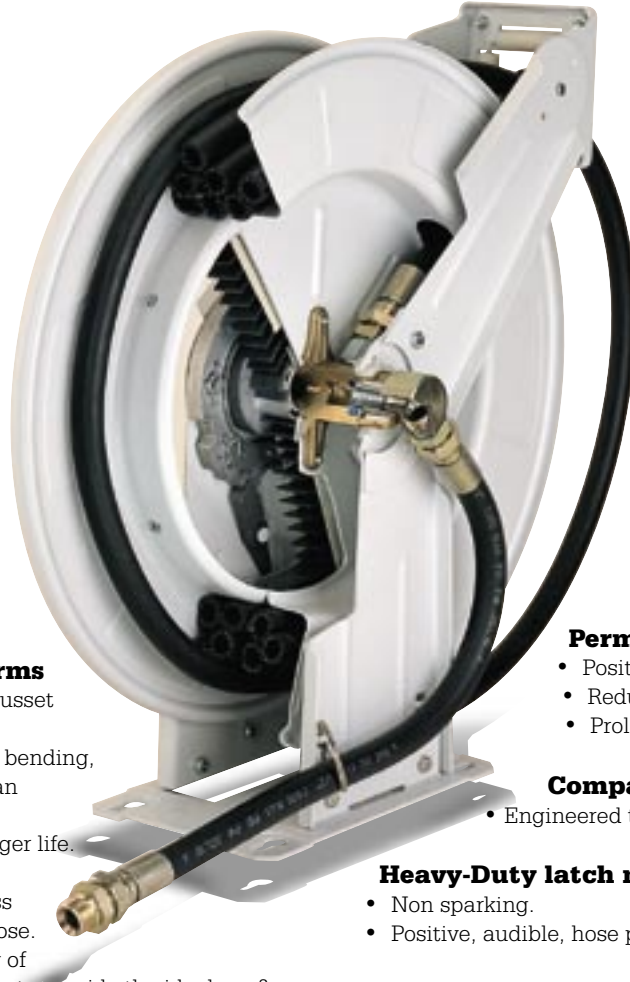
**Automotive
Petroleum
Industrial**



**You've tried the rest...
...Now buy the best!**

INTRODUCING TOMORROW'S TECHNOLOGY TODAY

Over three decades of integrated hose reel design incorporated into today's Reelmaster hose reels. Design technology and low cost manufacturing produce today's best in quality hose reels.



Double pedestal side supports and hose guide arms

- Reel is supported on both sides gusset reinforced pedestals and arms.
- The pedestal arms stay rigid - no bending, even when the hose is pulled at an angle.
- Less vibration, less bending - longer life.
- Hose is guided on both sides, without side to side bending - less wear and tear on both reel and hose.
- Guide arms are adjustable to any of three different mounting positions to provide the ideal configuration for wall, ceiling, floor, pit or truck mounting.

Heavy-Duty construction

- Heavy gauge plate steel.
- Welded, with gussets, for additional strength and rigidity.

Hardened shaft and corrosive proof swivel

- Extended leak-proof seal life.

Full flow porting

- Fully ported hub-no flow restrictions. Maximum fluid delivery for faster dispensing.

Permanently lubricated bearings

- Positive reel recoil every time.
- Reduced maintenance, less downtime.
- Prolongs reel life.

Compact narrow design

- Engineered to save installation space.

Heavy-Duty latch mechanism

- Non sparking.
- Positive, audible, hose position lock.

Trouble free floating reel spring

- Enclosed spring.
- Complete canister can be removed and replaced.
- No accidental fly-back damage.

Conical hose stopper

- To avoid striking against other objects.

Sintherized powder coated

- High resistance against wear.

Parts and labor warranty

- Industry's finest warranty.

Standard Reels

Standard Capacity 1400 Series

1400 Series heavy duty, quality hose reel engineered to save space

Holds up to 40' 1/2" Hose

For 1/4", 3/8" and 1/2" I.D. Hose

Swivel inlet: 1/2" NPT (F) Low pressure
 1/2" NPT (F) Medium pressure
 1/4" NPT (F) High pressure

1400 Series

Holds 40' of 1/2" hose

Reel Model*	Hose		
	Length	ID	Model
Low pressure - Air, water			
1409	25'	3/8"	816
1411	30'	3/8"	817
1413	40'	3/8"	818
1415	30'	1/2"	826
1417	40'	1/2"	828
1401	Reel only w/swivel (1000 PSI)–no hose		

Medium pressure - Oils, fluids			
1 - Wire braid hose (2000 PSI)			
1420	25'	3/8"	838
1424	30'	3/8"	839
1425	40'	3/8"	841
1422	25'	1/2"	850
1428	30'	1/2"	851
1426	40'	1/2"	853
1402	Reel only w/swivel (3000 PSI) – no hose		

High pressure - Grease			
2 - Wire braid hose (5000 PSI)			
1430	25'	1/4"	875
1431	30'	1/4"	876
1432	40'	1/4"	878
1434	30'	3/8"	889
1435	40'	3/8"	891
1403	Reel only w/swivel (8000 PSI) – no hose		

Specialty	
1499	Reel only w/H.P. Hot water swivel 3/8" NPT (F) – no hose

* Reels include inlet swivel, models with hose, include hose stop.

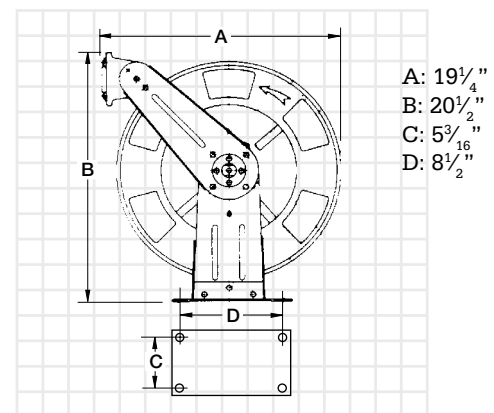
Inlet Connecting Hose
Order extra, see page 11 for all models



Heavy Duty Design

The narrow design and easily rotated guide arm virtually solves all installation problems.

Shown with inlet hose - order extra



Heavy Duty 1650 Series

**Extra Heavy Duty Design
1650 Series**



Shown with inlet hose - order extra.

- ★ Dual adjustable outlet arms. Extra strength tie bar construction.
- ★ Heavy duty roller outlet. Assembled of 3 plates of steel.
- ★ Easy to mount. Same bolt hole pattern as our standard capacity series reels.



Large Capacity Reels

Heavy Duty 1650 Series

Quality, space saving design, heavy duty reels

Holds up to 60' 1/2" I.D. Hose
 For use with 1/4", 3/8" and 1/2" I.D. Hose
 Swivel inlet: 1/2" NPT (F) Low pressure
 1/2" NPT (F) Medium pressure
 1/4" NPT (F) High pressure

1650 Series*

Holds 60' of 1/2" hose

Low Pressure - Air, Water						
Reel Model	Hose Model	Length	Hose I.D.	P.S.I.	Hose Stop	Notes
1660	819	50'	3/8"	300	2024	Complete Assembly
1661	820	60'	3/8"	300	2024	Complete Assembly
1663	829	50'	1/2"	300	2026	Complete Assembly
1665	830	60'	1/2"	300	2026	Complete Assembly
1651	Reel only with swivel - (3000 PSI) - no hose					

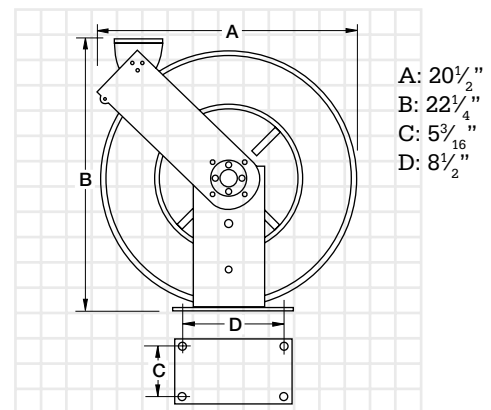
Medium Pressure - Oils, Fluids						
Reel Model	Hose Model	Length	Hose I.D.	P.S.I.	Hose Stop	Notes
1672	842	50'	3/8"	3000	2024	Complete Assembly
1673	843	60'	3/8"	3000	2024	Complete Assembly
1674	854	50'	1/2"	2500	2026	Complete Assembly
1676	855	60'	1/2"	2500	2026	Complete Assembly
1652	Reel only with swivel - (3000 PSI) - no hose					

High Pressure - Grease						
Reel Model	Hose Model	Length	Hose I.D.	P.S.I.	Hose Stop	Notes
1680	879	50'	1/4"	5000	2022	Complete Assembly
1681	880	60'	1/4"	5000	2022	Complete Assembly
1682	892	50'	3/8"	4000	2024	Complete Assembly
1683	893	60'	3/8"	4000	2024	Complete Assembly
1653	Reel only with swivel - (8000 PSI) - no hose					

High Pressure - Grease	
1699	Reel only w/H.P Hot water swivel 3/8" NPT (F) - no hose

* Reels include inlet swivel, models with hose, include hose stop.
 60' models recommended for ceiling mount use.

Inlet Connecting Hose
Order extra, see page 11 for all models



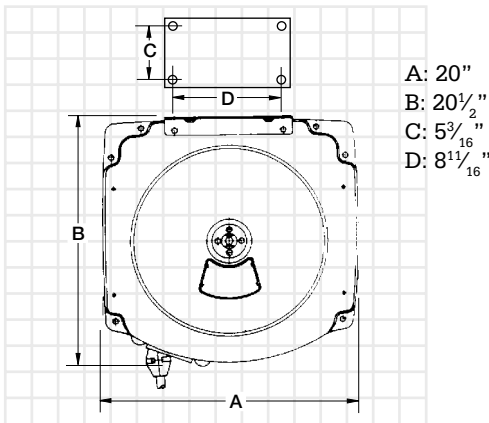
Enclosed 1700 Series

1700 Series - Quality Hose Reels



Heavy Duty Design

Shown with inlet hose – order extra



Heavy Duty designed

- Heavy duty corrosion proof aluminum case.
- Gusset reinforced case for additional strength and rigidity.
- Sinterized powder coated, high resistance against wear.

Hardened brass shaft & corrosion proof swivel

- Extended leak proof seal life.
- Heavy duty latch mechanism.

Easy maintenance

- Worn hoses can easily be replaced through service window, without dismounting the reel.
- Spring load adjustment does not require reel dismounting.
- Trouble free spring and hub-sealed cassette, complete canister can be removed and replaced.

Ergonomic design

- Product supply is at hand reach without interfering with the user.
- Smooth operation in each mounting position.
- Narrow design and easily positionable mounting bracket virtually solves all installation needs.

Reel Model*	Hose		
	Length	ID	Model
Low pressure - Air, water			
1711	25'	3/8"	816
1713	30'	3/8"	817
1715	40'	3/8"	818
1754 ⁽¹⁾	50' ⁽¹⁾	3/8"	819
1717	30'	1/2"	826
1755	40'	1/2"	828
1751	Reel only w/swivel – no hose		

Medium pressure - Oils, fluids			
1 - Wire braid hose (2000 PSI working)			
1722	20'	3/8"	837
1724	30'	3/8"	839
1726	40'	3/8"	841
1756 ⁽¹⁾	50' ⁽¹⁾	3/8"	842
1728	30'	1/2"	851
1757	40'	1/2"	853
1752	Reel only w/swivel – no hose		

High pressure - Grease			
2 - Wire braid hose (5000 PSI working)			
1732	20'	1/4"	874
1733	30'	1/4"	876
1734	40'	1/4"	878
1758 ⁽¹⁾	50' ⁽¹⁾	1/4"	879
1735	20'	3/8"	887
1736	30'	3/8"	889
1737	40'	3/8"	891
1759 ⁽¹⁾	50' ⁽¹⁾	3/8"	892
1753	Reel only w/swivel – no hose		

* Reels include inlet swivel, models with hose include hose stop.

Inlet Connecting Hose
Order extra, see page 11 for all models

⁽¹⁾ Ceiling mount only.

HEAVY DUTY 3/4" HOSE REEL



Model 7500

Heavy Duty Design

Dual pedestal base and dual guide arms with extra strength tie bar construction.

HD Steel with powder coat finish

Full flow porting

HD 3/4" MP swivel

Lifetime lubricated all metal babbit type bearings

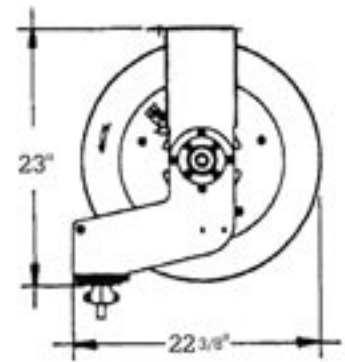
Adjustable outlet arms

2 YEAR WARRANTY

"Tomorrow's Technology Today"

Model	Description
7500*	3/4" HD Reel only w/ Swivel and Hose stop
7550	7500 w/ 50' 3/4" MP Hose w/ Hose stop
7575	7500 w/ 75' 1/2" MP Hose w/ Hose stop
7585	7500 w/ 75' 1/2" LP Hose w/ Hose stop

*77 Bar (1100 psi) max working pressure. Comes SR (side roller) mount. Can be indexed for ceiling mount. Same bolt hole mounting pattern as our standard reels.



Base is 9" wide and 10" deep

This space reserved



Coming Soon

**(Just one of several new products
coming from Samson)**

"The harder you are to please... The more you will like ReelMaster"

Welding and Manual Rewind Reels

1800 Series

Manual rewind

Unitized construction:

Drum, spool and frame all fabricated of heavy gauge steel. No welds. All bolted construction with self-locking, vibration-proof fasteners.

Locking spool prevents rotation when not in use

Permanent lubricated dual main bearings

Full flow swivel and shaft for max delivery

Nickel-plated swivel with viton "O" ring seals

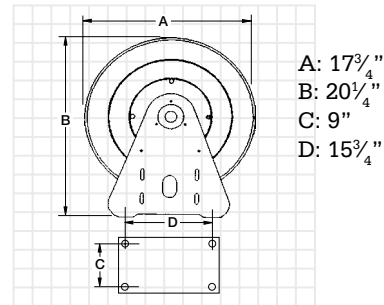
Adjustable drag for dereeling



Model	Hose Capacity	Operating Pressure	Inlet
1803	200' of 1/2" I.D.	1000 PSI	1/2"
1805	100' of 3/4" I.D.	1000 PSI	3/4"

Manual Rewind Series are reel only models (No hose)

1899	Reel only with H.P hot water swivel 1/2" NPTF – no hose
------	--



1850 Series

Dual hose oxygen-acetylene reels

Dual swivel body made from aluminum, coated for resistance, designed for positive separation of gases.

Special molded, double sealed "O" rings prevent leakage.

Inlet and swivel body identified with grooves on the acetylene side assures proper installation.

Hose supplied is Twin-Siamese type meeting R.M.A. and C.G.A. type V.D., grade RM specifications. Use of other types is not recommended.

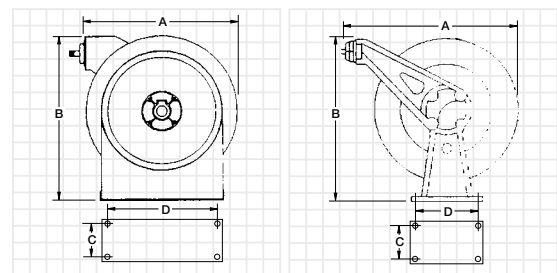


Model 1852



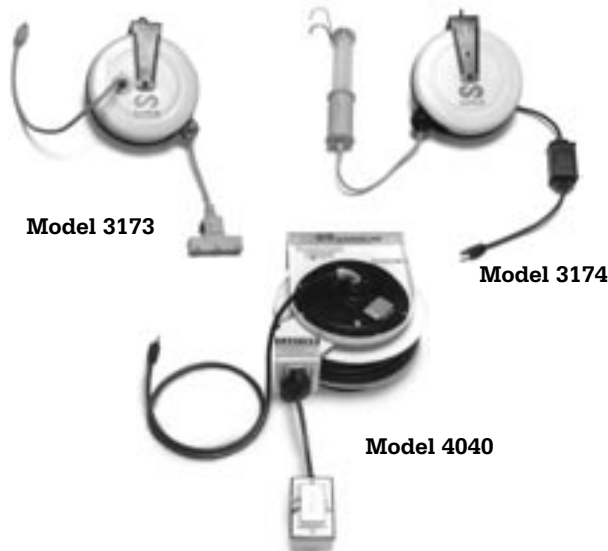
Model 1854

Model	Twin Hose	PSI
1852	25' 1/4"	200
1854	50' 1/4"	200
Twin Inlet (order extra)		
899	2' 1/4"	200



A: 13³/₄"
B: 14¹/₂"
C: 2¹/₂"
D: 9³/₄"

A: 19"
B: 21¹/₄"
C: 3³/₄"
D: 7³/₄"



Model 3173

Model 3174

Model 4040

Electric cord reels

Model 3173

Power supply reel with 30' retractable 3 outlet power supply cord. Features include 3-wire cord for positive grounding of electrical tools, and one piece molded plugs for added safety. Includes necessary hardware for wall or ceiling mounting. Fits all standard grounded electrical outlets. 16/3 cord rated 10 amps.

Model 3174

Automatic retractable trouble light with built-in safety switch. Light turns on when cord is pulled out. Shuts off when cord is fully retracted. Safety switch shuts off current at power source...no switch or tool tap in handle. Bulb guard insulated to prevent sparking. 40' cord length. 18/2 cord. Stubby light.

Model 3175

Similar to 3172, except 50' 18/2 cord with switch in handle.

H.D. Electric cord reel

Model 4040

Double power supply reel. All models have two outlets in a rugged metal enclosure, with spring loaded protective covers over the outlets. Box is grounded. Water tight strain relief bushing on all models where reel cord enter top of box. 115 volt, 60 hz, single phase, 20 amp. Adjustable guide arm, allows wall, ceiling, or bench mounting. Industrial type collector ring transfers stationary power to the rotating reel cord. 6' inlet power cord with ground plug. 40' oil resistant type SJTO/SJTOW-A, three conductor 14/3 cord.

Models Not Shown (similar to 3174)

Model 3171

40' stubby light reel with tool tap in handle.

Model 3172

30' stubby light reel with switch in handle.



Model 3199

Economy Low Pressure (Air/Water) Reel

Model 3199

Reel complete with 25' 1/4" L.P. Hose, hose stop, and mounting bracket. High impact polypropylene reel with 25' 1/4" L.P. Hose. Heavy duty steel mounting bracket, adjustable for bench, wall, floor, or ceiling mount. Mounting bracket may be set for swivel or rigid mount. Ratchet may be un-locked for constant retraction.

Replacement Hose Assemblies

MODEL NO.	I.D.	LENGTH IN FEET	HOSE END FITTINGS*	WORKING PRESSURE PSI
Air/Water Low Pressure Hose – SAE 100 R6 *(Swivel One End)				
801	1/4"	2	1/4" NPTM	300
802	1/4"	5	1/4" NPTM	300
803	1/4"	10	1/4" NPTM	300
805	1/4"	25	1/4" NPTM	300
806	1/4"	30	1/4" NPTM	300
808	1/4"	40	1/4" NPTM	300
809	1/4"	50	1/4" NPTM	300
812	3/8"	2	3/8" NPTM	300
813	3/8"	5	3/8" NPTM	300
814	3/8"	10	3/8" NPTM	300
815	3/8"	15	3/8" NPTM	300
816	3/8"	25	3/8" NPTM	300
817	3/8"	30	3/8" NPTM	300
818	3/8"	40	3/8" NPTM	300
819	3/8"	50	3/8" NPTM	300
820	3/8"	60	3/8" NPTM	300
822	1/2"	2	1/2" NPTM	300
823	1/2"	5	1/2" NPTM	300
824	1/2"	10	1/2" NPTM	300
825	1/2"	15	1/2" NPTM	300
826	1/2"	30	1/2" NPTM	300
828	1/2"	40	1/2" NPTM	300
829	1/2"	50	1/2" NPTM	300
830	1/2"	60	1/2" NPTM	300
831	1/2"	75	1/2" NPTM	300

MODEL NO.	I.D.	LENGTH IN FEET	HOSE END FITTINGS*	WORKING PRESSURE PSI
Oil Medium Pressure Hose – SAE 100 R1 *(Swivel One End)				
833	3/8"	2	3/8" NPTM	3000
834	3/8"	5	3/8" NPTM	3000
835	3/8"	10	3/8" NPTM	3000
837	3/8"	20	3/8" NPTM	3000
838	3/8"	25	3/8" NPTM	3000
839	3/8"	30	3/8" NPTM	3000
841	3/8"	40	3/8" NPTM	3000
842	3/8"	50	3/8" NPTM	3000
843	3/8"	60	3/8" NPTM	3000
845	1/2"	2	1/2" NPTM	2500
846	1/2"	5	1/2" NPTM	2500
847	1/2"	10	1/2" NPTM	2500
848	1/2"	15	1/2" NPTM	2500
849	1/2"	20	1/2" NPTM	2500
850	1/2"	25	1/2" NPTM	2500
851	1/2"	30	1/2" NPTM	2500
853	1/2"	40	1/2" NPTM	2500
854	1/2"	50	1/2" NPTM	2500
855	1/2"	60	1/2" NPTM	2500
856	1/2"	75	1/2" NPTM	2500
857	3/4"	5	3/4" NPTM	2250
858	3/4"	10	3/4" NPTM	2250
859	3/4"	50	3/4" NPTM	2250
860	3/4"	2	3/4" NPTM	2250
861	3/4"	25	3/4" NPTM	2250
863	1"	5	1" NPTM	2000
867	1"	10	1" NPTM	2000

MODEL NO.	I.D.	LENGTH IN FEET	HOSE END FITTINGS*	WORKING PRESSURE PSI
Grease High Pressure Hose – SAE 100 R2 *(Swivel One End)				
870	1/4"	2	1/4" NPT MBE	5000
871	1/4"	5	1/2" – 27 FBE	5000
872	1/4"	10	1/2" – 27 FBE	5000
873	1/4"	15	1/2" – 27 FBE	5000
874	1/4"	20	1/2" – 27 FBE	5000
875	1/4"	25	1/2" – 27 FBE	5000
876	1/4"	30	1/2" – 27 FBE	5000
877	1/4"	7	1/2" – 27 FBE	5000
878	1/4"	40	1/2" – 27 FBE	5000
879	1/4"	50	1/2" – 27 FBE	5000
880	1/4"	60	1/2" – 27 FBE	5000
883	3/8"	2	3/8" NPTM	4000
884	3/8"	5	3/8" NPTM	4000
885	3/8"	10	3/8" NPTM	4000
887	3/8"	20	3/8" NPTM	4000
888	3/8"	25	3/8" NPTM	4000
889	3/8"	30	3/8" NPTM	4000
891	3/8"	40	3/8" NPTM	4000
892	3/8"	50	3/8" NPTM	4000
893	3/8"	60	3/8" NPTM	4000

* 20' through 60' hose lengths are 1/4" male on one end

Inlet connecting hoses

Inlet hoses are used between reel and permanent plumbing, especially where vibration is present. All inlet hoses are 24" long.

Model	Hose I.D."	Hose Ends	P.S.I.
801	1/4	1/4" NPT (M)	300
812	3/8	3/8" NPT (M)	300
822	1/2	1/2" NPT (M)	300

833	3/8	3/8" NPT (M)	3000
845	1/2	1/2" NPT (M)	2500

870	1/4	1/2- 27 FBE	5000
883	3/8	3/8" NPT (M)	4000

MODEL NO.	I.D.	LENGTH IN FEET	HOSE END FITTINGS*	WORKING PRESSURE PSI
-----------	------	----------------	--------------------	----------------------

Twin Welding Inlet Hose

899	1/4"	2	3/8" NPTM	200
-----	------	---	-----------	-----

Twin Welding Outlet Hose

899-25	1/4"	25	3/8" NPTM	200
899-50	1/4"	50	3/8" NPTM	200

Hose stops



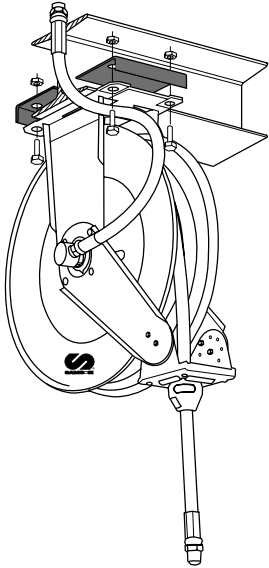
Model	For Hose I.D.
2022	1/4"
2024	3/8"
2026	1/2"

Pivoting wall mount bracket

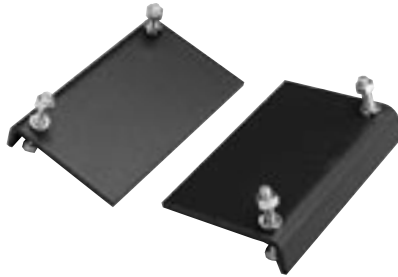


Model 1388
one per reel

I-beam mounting bracket



Model 1389
Includes a pair of brackets and hardware. Eliminates the need to drill column or beam. For mounting individual reel to beam flange.



Reel mounting channel

Hose reel mounting channels for mounting 1400, 1600 and 1700 series hose reels in a bank. Channels are pre-drilled to allow individual mounting of reel. Nuts, screws and washers included.



Model 1393
Holds up to three reels.

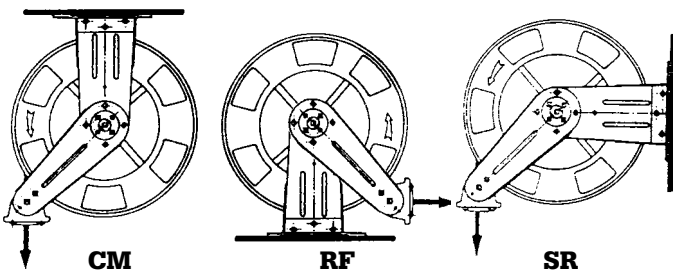
Model 1395
Holds up to five reels.

Channels may be mounted from I-beams with use of channel mounting brackets (up to 9" flange). Use two brackets for the three reel channel and three brackets for the five reel channel.



Model 1390
Channel mounting bracket.

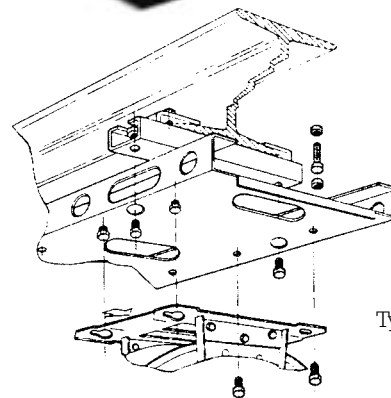
Universal installation



The narrow design and easily rotated guide arm virtually solves all installation problems.

CM = Ceiling Mount
RF = Rear Floor
SR = Side Roller

Reels are shipped in the CM position and can be easily changed on site. If other than CM is desired, please specify on order.



Typical installation

Model 1515

Set of peel-off stick-on reel identification labels, set includes: Anti-freeze, Hydraulic, ATF, Chassis, Water, Gear, Air, SAE 10-40, SAE 10-30, SAE 5-40, SAE 10W, SAE 20-W, SAE 30-W, and one blank label.