



A TEREX BRAND

Parts Manual

Serial Number Range

Z-51/30J

from SN Z513014B-1201 to
Z513016B-1517

from SN Z513016M-1518 to
Z513016M-1999

from SN Z5130M-2000

Part No. 1251779

Rev A14

October 2016

Technical Publications

Genie has endeavored to deliver the highest degree of accuracy possible. However, continuous improvement of our products is a Genie policy. Therefore, product specifications are subject to change without notice.

Readers are encouraged to notify Genie of errors and send in suggestions for improvement. All communications will be carefully considered for future printings of this and all other manuals.

Contact Us:

Internet: www.genielift.com
e-mail: awp.techpub@terex.com

Find a Manual for this Model

Go to <http://www.genielift.com>

Use the links to locate Operator's, Parts, Maintenance, and Service and Repair Manuals.

Copyright © 2013 by Terex Corporation
1251779 Rev A August 2013
Third Edition, First Printing

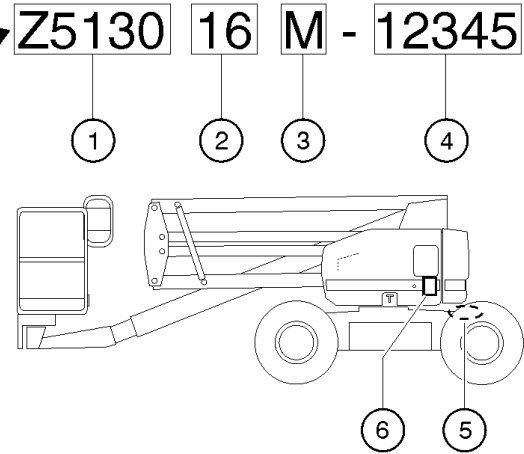
"Genie is a registered trademark of Terex South Dakota in the USA and many other countries. "GS" is a trademark of Terex South Dakota, Inc.



To August 31, 2016

Genie
A TEREX BRAND

Model:
 Serial number: Z513016M-12345
 Manufacture date: 1/2/16 Model year: 2016
 Electrical schematic number:
 Machine unladen weight:
 Rated work load (including occupants):
 Maximum number of platform occupants:
 Maximum allowable side force:
 Maximum allowable inclination of the chassis:



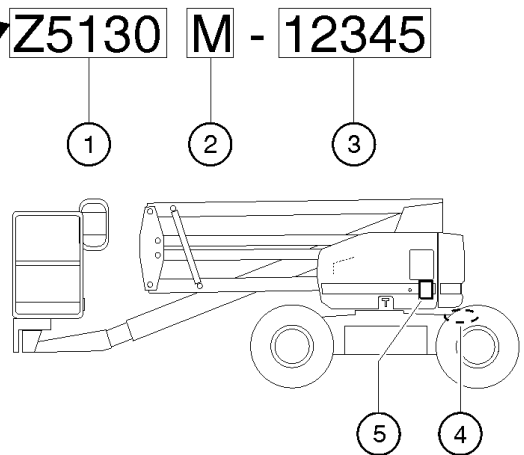
- 1 Model
- 2 Model year
- 3 Facility code

- 4 Sequence number
- 5 Serial number (stamped on chassis)
- 6 Serial label (located under cover)

From September 1, 2016

Genie
A TEREX BRAND

Model:
 Serial number: Z5130M-12345
 Year of manufacture: 2016
 Electrical schematic number:
 Machine unladen weight:
 Rated work load (including occupants):
 Maximum number of platform occupants:
 Maximum allowable side force:
 Maximum allowable inclination of the chassis:



- 1 Model
- 2 Facility code
- 3 Sequence number

- 4 Serial number (stamped on chassis)
- 5 Serial label (located under cover)

Table of Contents

This manual is updated frequently. If you have a printed manual, you can keep it up to date by downloading new figures from the Genie website at www.genielift.com. For the most up-to-date parts information, visit the Parts Lookup System on the Genie website at www.genielift.com.

How to Read Your Serial Number.....	3
Parts Stocking List.....	7
How to Order Parts.....	8
Service Parts Fax Order Form.....	9

Electronic Version

Click on any page number to view the figure.

100 Decals

101.1 Decals with Word, Hydraulic Tank Side.....	10
102.1 Decals with Word, Engine Side.....	12
103.1 Decals with Word, Platform.....	14
104.1 Decals with Symbol, Hydraulic Tank Side.....	16
105.1 Decals with Symbol, Engine Side.....	18
106.1 Decals with Symbol, Platform.....	20

200 Chassis Components

201.1 Steer-end Wheels and Hubs.....	22
202.1 Steer Axle Linkage.....	24
203.1 Non-steer End Wheels and Hubs.....	26
204.1 Non-steer Axle Installation.....	28
205.1 Oscillate Valve Installation.....	30

300 Turntable Components

301.1 Turntable Rotator.....	32
302.1 Fuel and Hydraulic Tank Installation.....	34
303.1 Function Manifold and Ground Control Box Installation.....	36
304.1 Ground Control Box.....	38
305.1 Ground Control Box, View 2.....	40
306.1 Turntable Cover, Engine Side.....	42
307.1 Turntable Cover, Tank Side.....	44
308.1 Wire Harness Diagram.....	46

400 Engine Components

401.1 Deutz D2011L03i Engine, View 1.....	48
402.1 Deutz D2011L03i Engine, View 2.....	50
403.1 Engine Tray.....	52

500 Boom Components

501.1 Boom Pins and Bearings.....	54
502.1 Boom Linkage.....	56
503.1 Upper Pivot Components.....	58
504.1 Primary and Extension Booms.....	60
505.1 Cable Track Installation.....	62
506.1 Jib Boom and Platform Leveling.....	64
507.1 Platform Rotator and Support.....	66
508.1 Platform Overload.....	68

600 Platforms

601.1 Platform Components.....	70
602.1 Platform Control Box, View 1.....	72
603.1 Platform Control Box, View 2.....	76
604.1 Joysticks.....	78

700 Manifolds and Pumps

701.1 4WD Traction Manifold.....	80
702.1 Function Manifold.....	82
703.1 Jib and Platform Rotate Manifolds.....	86
704.1 Hydraulic Pumps.....	88

800 Hydraulic Hoses and Fittings

801.1 Chassis and Turntable, View 1.....	90
802.1 Chassis and Turntable, View 2.....	92
803.1 Boom and Platform.....	94
804.1 Boom and Platform.....	96

900 Accessories

901.1 Alarm and Beacon Package.....	98
902.1 Platform Options.....	100
903.1 Airline to Platform.....	102
904.1 .Traveling Fall Arrest Anchor System.....	104

Indices

Part Number Index.....	106
Part Description Index.....	110

Cross References

Fittings Cross Reference.....	116
-------------------------------	-----

This Page Intentionally Left Blank

Required Parts

The following parts are required to perform maintenance procedures as outlined in the Genie Z-51/30J Service Manual.

All Models:

Description	Part No.
Plug and Cap Kit (for ORFS Fittings.....)	49613
Hydraulic Tank Filter Element Kit.....	77353
High and Medium Pressure Filter Element.....	60857
Wheel Lug Nuts	54627
Lithium Based Grease.....(source locally)	
Dielectric Grease	66399
Drive Hub Oil (refer to service manual) ...(source locally)	

Deutz D2011L03i Models:

Description	Part No.
Air Filter	62420
Fuel/water Separator Element.....	29560
Engine Oil Filter	49924
V-belt	32698

Recommended Parts

Description	Part No.
Genie Blue Paint, 1 Gallon	32150
Genie Blue Paint, 12 Ounce Aerosol.....	1484
Genie Gray Paint, 1 Gallon.....	32151
Genie Gray Paint, 12 Ounce Aerosol	1268

Genie also offers the following support documents:

EMI Safety Manual	27581
Manual of Responsibilities ANSI A92.5.....	31779

How to Order Parts

Please be prepared with the following information when ordering replacement parts for your Terex or Genie product.

- Machine model number
- Machine serial number
- Part number
- Part description and quantity
- Purchase order number
- "Ship to" address
- Desired method of shipment
- Name and telephone number of the authorized distributor in your area

Use the Service Parts Fax Order Form on the next page and fax your order to our Parts Department.

If you don't know the name of your authorized distributor, or if your area is not currently serviced by an authorized distributor, please call Terex or Genie Industries.

Machine Information

Model

Serial Number

Date of Purchase

Authorized Genie Distributor

Phone Number

North America

Telephone (425)881-1800

Toll Free (800)536-1800 in US and Canada

Fax (425)556-8659

Toll Free fax (888)274-6192

Email AWP.PartsSalesPO@terex.com

<http://genielift.com/en>

EMEAR (Europe, Middle East, Africa and Russia)

Telephone (31)(165)519 313

Fax (31)(165)511 148

<http://genielift.co.uk>

Asia Pacific (Genie Singapore)

Telephone +65 6692 7777

Fax +65 6261 8893

<http://genielift.com.sg/>

Australia

Telephone (61)(7)3456 4444

Fax (61)(7)3456 4466

<http://genielift.com.au>

South America

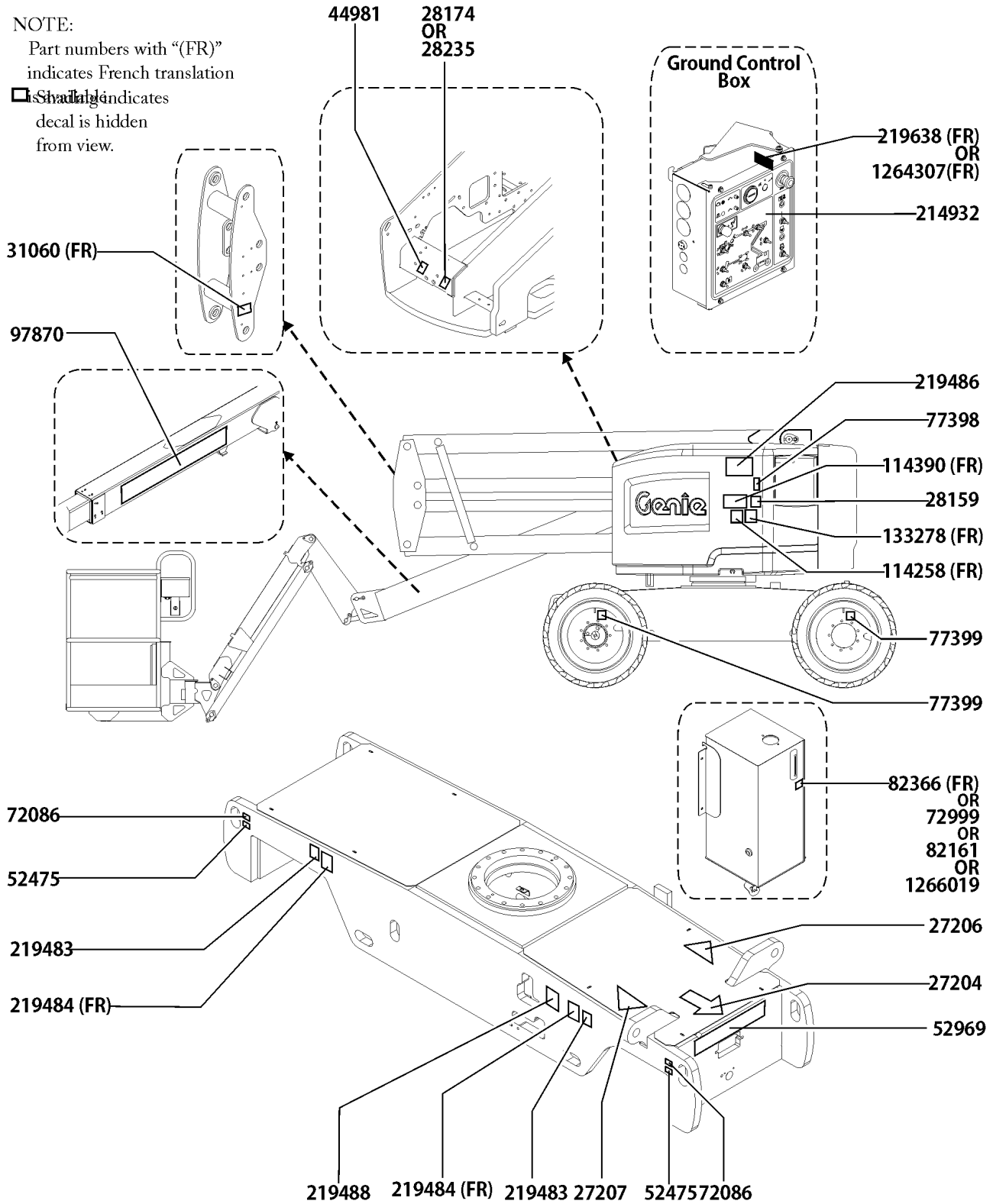
Telephone (55)(11)4082 5600

Fax (55)(11)4082 5630

101.1 Decals with Word, Hydraulic Tank Side

NOTE:

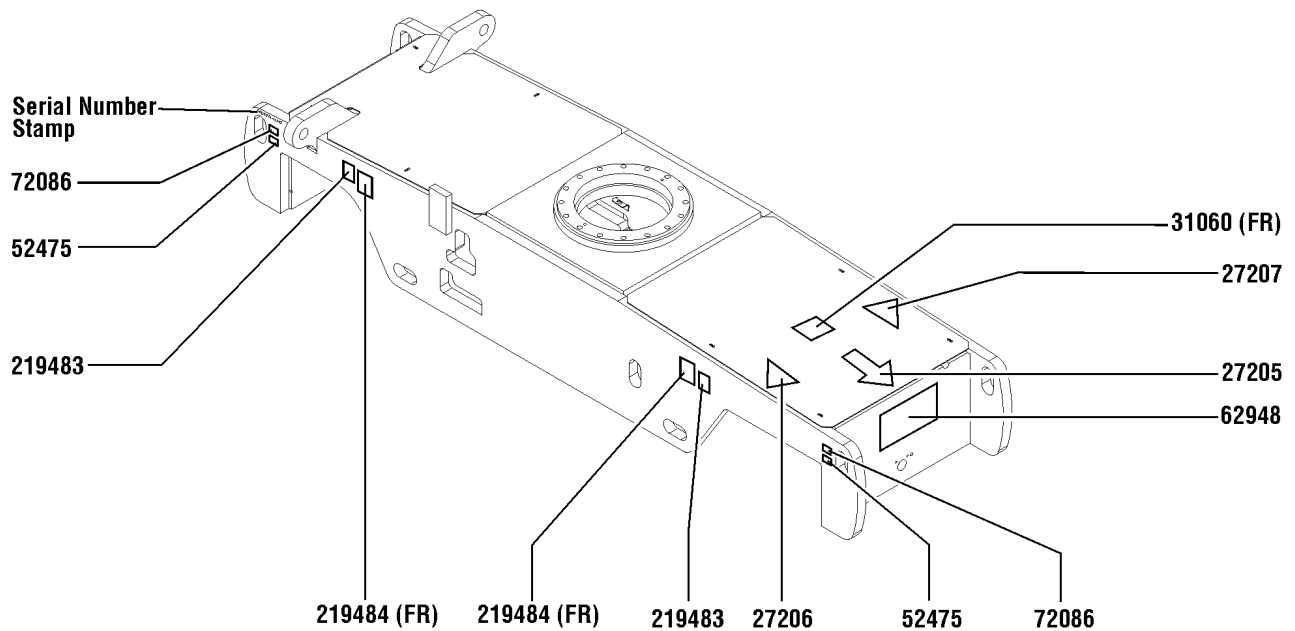
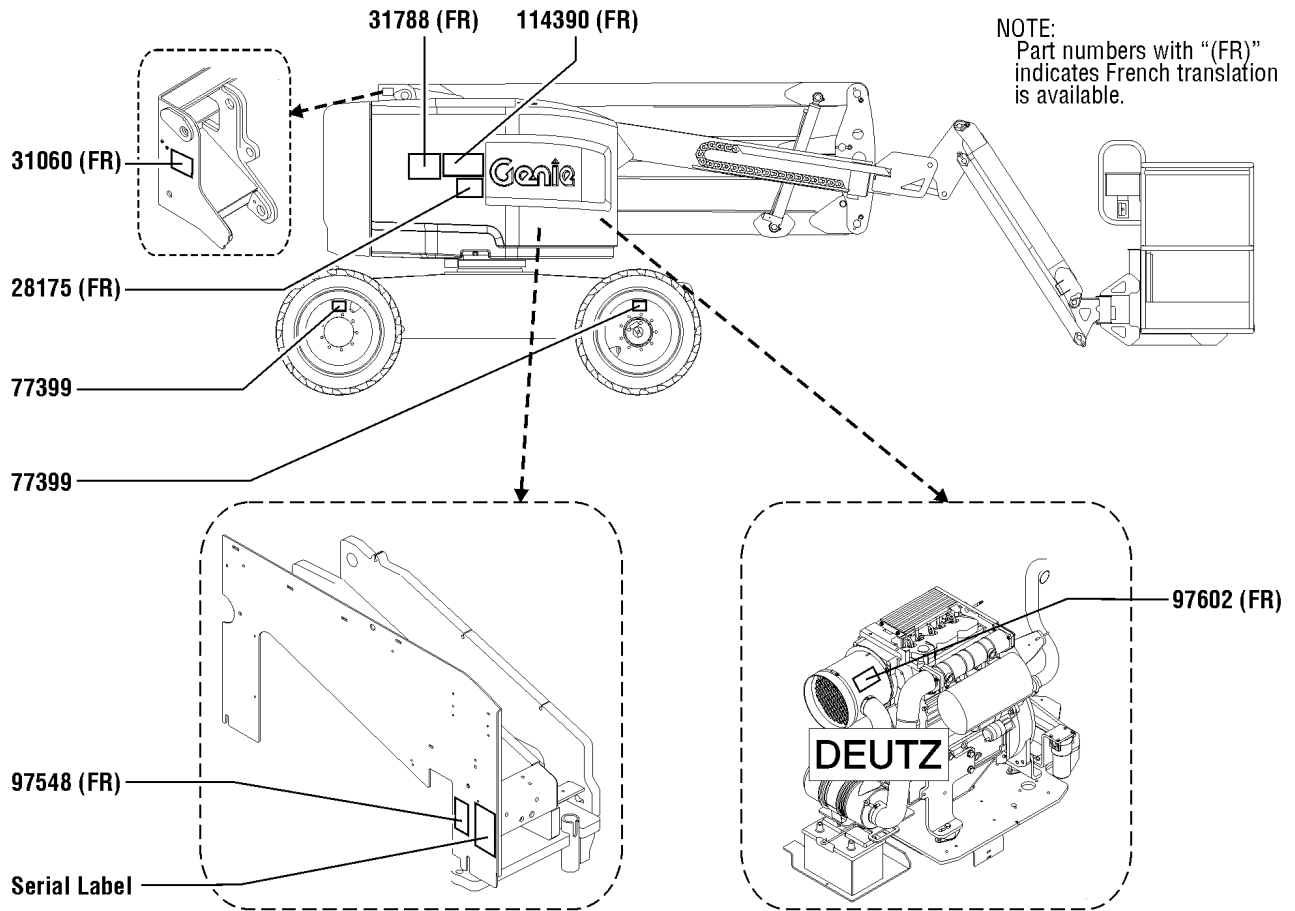
Part numbers with "(FR)" indicates French translation
 □ Shading indicates decal is hidden from view.



101.1 Decals with Word, Hydraulic Tank Side

Item	Part No.	Description	Qty.
A	160759GT	DECAL KIT,Z45 COMP,WRD,AUS <i>Complete Decal Kit, AUS (from SN A-47001) (from B-1201)</i>	
B	160762GT	DECAL KIT,Z45&Z51 PLAT,WRD,AUS <i>Platform Decal Kit, AUS (from SN A-47001) (from B-1201)</i>	
1	27204GT	DECAL,ARROW BLUE.....	1
2	27206GT	DECAL,TRIANGLE,BLUE.....	1
3	27207GT	DECAL,TRIANGLE,YELLOW.....	1
4	28159GT	DECAL,DIESEL.....	1
5	28174GT	DECAL, POWER TO PLATFORM 230V**.....	1
6	28235GT	DECAL, POWER TO PLATFORM 115V**.....	1
7	31060GT	DECAL,DANGER DO NOT ALTER SWTC.....	1
8	44981GT	DECAL,LABEL,AIRLINE 110 PSI..... <i>(option)</i>	1
9	52475GT	DECAL,LABEL,TRANSPORT TIEDOWN*.....	2
10	52969GT	DECAL,COSMETIC,GENIE BOOM,HORZ.....	1
11	72086GT	DECAL,LABEL,LIFTING EYE.....	2
12	72999GT	DECAL,LABEL,UCON HYDROLUBE.....	1
13	77398GT	DECAL,TIRE SEALANT,3.25 X 7.5.....	1
14	77399GT	DECAL,TIRE SEALANT,1.5 X 1.5.....	2
15	82161GT	DECAL,ENGINE SPEC,PERKINS***.....	1
16	82366GT	DECAL, LABEL - CHEVRON RANDO.....	1
17	97870GT	DECAL,COSMETIC,GENIE Z-51/30J.....	1
18	114258GT	DECAL,DANGER,NO SMOKING.....	1
19	114390GT	DECAL,DANGER,ELECT HAZARD***.....	1
20	133278GT	DECAL,LOW/ULTRA LOW SULFR FUEL.....	1
21	214932GT	DECAL,GROUND CONTROL PANEL.....	1
22	219483GT	DECAL,LABEL,WHEEL LOAD Z-51.....	2
23	219484GT	DECAL,DANGER,TIP,FOAM TIRES.....	2
24	219486GT	DECAL,OP INST,GROUND,AUS.....	1
25	219488GT	DECAL,TRANSPORT/LIFT DIAGRAM.....	1
26	219638GT	DECAL,LABEL,RELAYS,Z45IC,Z51..... <i>to SN Z513015B-1353</i>	1
27	1264307GT	DECAL,LABEL,RELAYS,Z45IC,Z51 <i>from SN Z513015B-1354</i>	
28	1266019GT	DECAL, LABEL, SHELL TELLUS <i>models with Shell Tellus</i>	

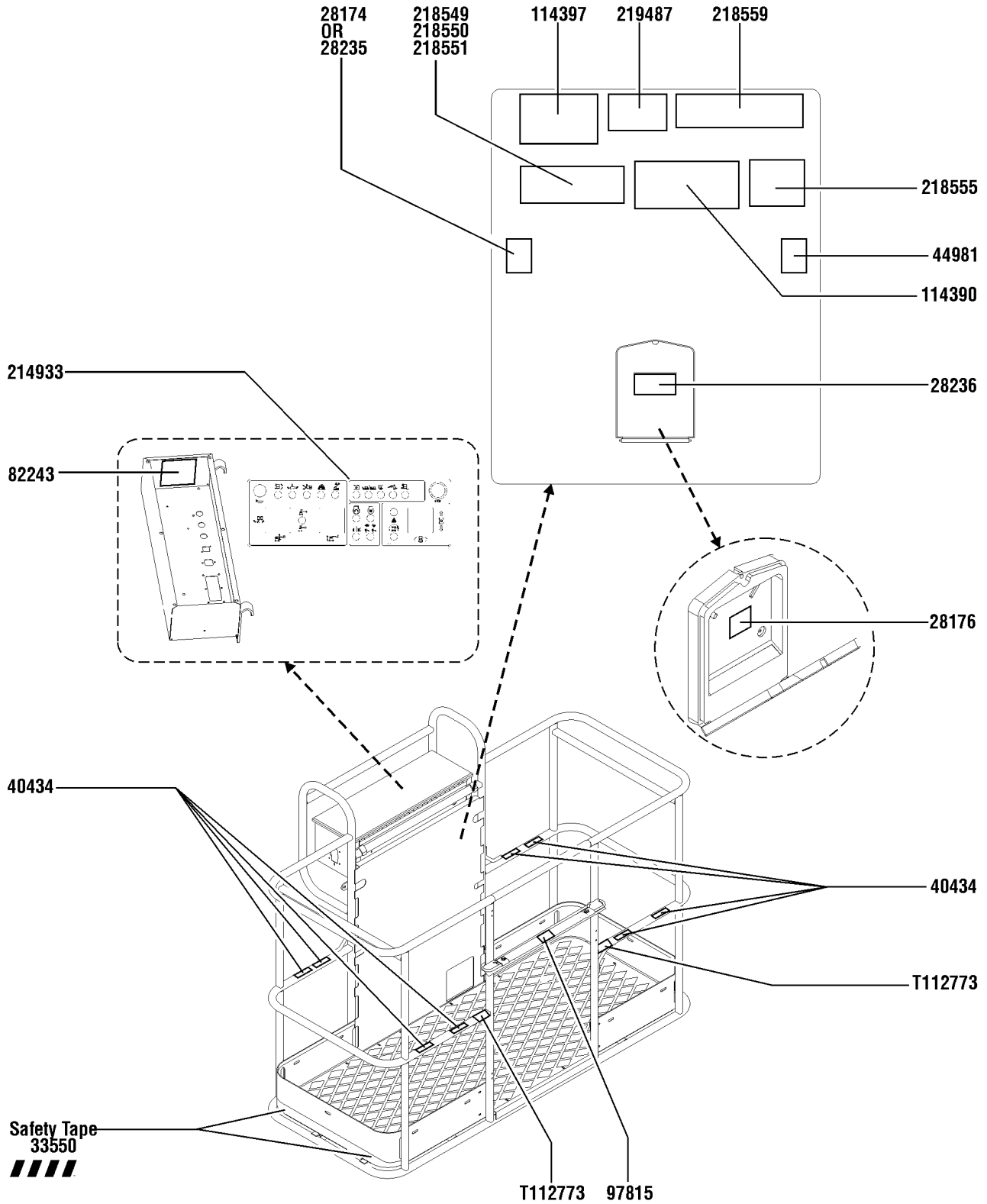
102.1 Decals with Word, Engine Side



102.1 Decals with Word, Engine Side

Item	Part No.	Description	Qty.
1	27205GT	DECAL,ARROW YELLOW LRG 9".....1	1
2	27206GT	DECAL,TRIANGLE,BLUE.....1	1
3	27207GT	DECAL,TRIANGLE,YELLOW.....1	1
4	28175GT	DECAL,WARNING-COMPART ACCESS.....1	1
5	31060GT	DECAL,DANGER DO NOT ALTER SWTC.....2	2
6	31788GT	DECAL,DANGER,BATTERY SAFETY***.....1	1
7	52475GT	DECAL,LABEL,TRANSPORT TIEDOWN*.....2	2
8	62948GT	DECAL,COSMETIC,IC POWER 4 X 4....1	1
9	72086GT	DECAL,LABEL,LIFTING EYE.....2	2
10	77399GT	DECAL,TIRE SEALANT,1.5 X 1.5.....2	2
11	97548GT	DECAL,ENGINE SPEC,DEUTZ 2011....1	1
12	97602GT	DECAL,NOTICE,PERKINS ENG SPEC*.....1	1
13	114390GT	DECAL,DANGER,ELECT HAZARD***....1	1
14	219483GT	DECAL,LABEL,WHEEL LOAD Z-51.....2	2
15	219484GT	DECAL,DANGER,TIP,FOAM TIRES.....2	2

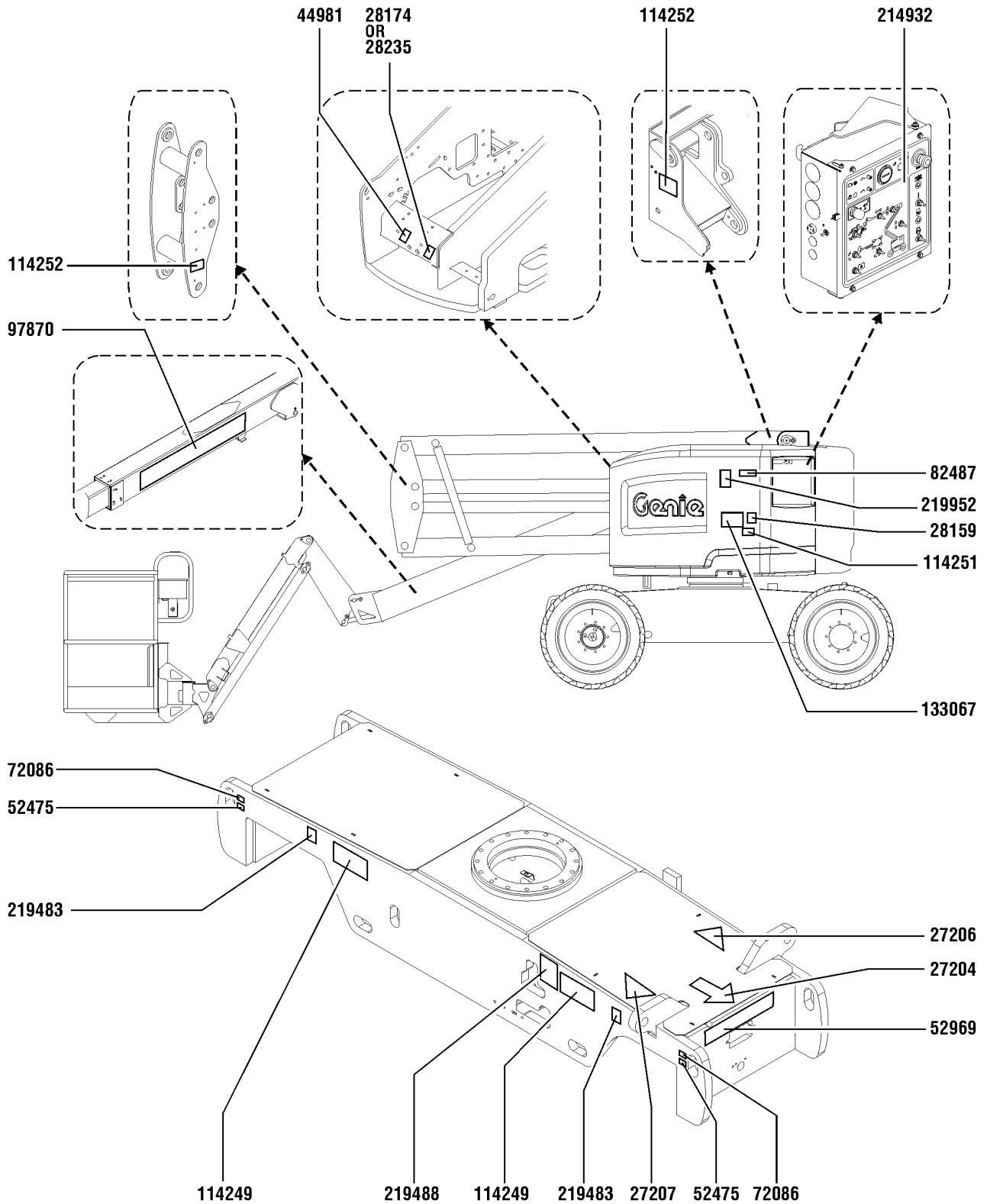
103.1 Decals with Word, Platform



103.1 Decals with Word, Platform

Item	Part No.	Description	Qty.
1	28174GT	DECAL, POWER TO PLATFORM 230V**.....	1
2	28176GT	DECAL,LABEL,MANUAL NOT HERE.....	1
3	28235GT	DECAL, POWER TO PLATFORM 115V**.....	1
4	28236GT	DECAL,WARN,IMPROPER OPERATION.....	1
5	33550GT	TAPE,WARNING,BLK/YEL, 50*** <i>(sold by the roll. 648" per roll) (Required to be installed at base of platform toeboard for Australian market)</i>	
6	40434GT	DECAL, LANYARD ANCHORAGE POINT.....	8
7	44981GT	DECAL,LABEL,AIRLINE 110 PSI.....	1
8	82243GT	DECAL FAULT CODE.....	1
9	97815GT	DECAL,LABEL,LOWER MIDRAIL.....	1
10	114390GT	DECAL,DANGER,ELECT HAZARD***.....	1
11	114397GT	DECAL,DANGER,TILT ALARM.....	1
12	214933GT	DECAL,PLATFORM CONTROL PANEL.....	1
13	218549GT	DECAL,DANGER,CAP,ANSI WORD	
14	218550GT	DECAL,DANGER,CAP,AUS WORD.....	1
15	218551GT	DECAL,DANGER,CAP,ANSI WORD 440	
16	218555GT	DECAL,WARNING,RUNAWAY MACHINE.....	1
17	218559GT	DECAL,DANGER/WARNING COMBO....	1
18	219487GT	DECAL,PLATFORM OVERLOAD.....	1
19	T112773GT	TAPE, PROTECTIVE MASK.....	2

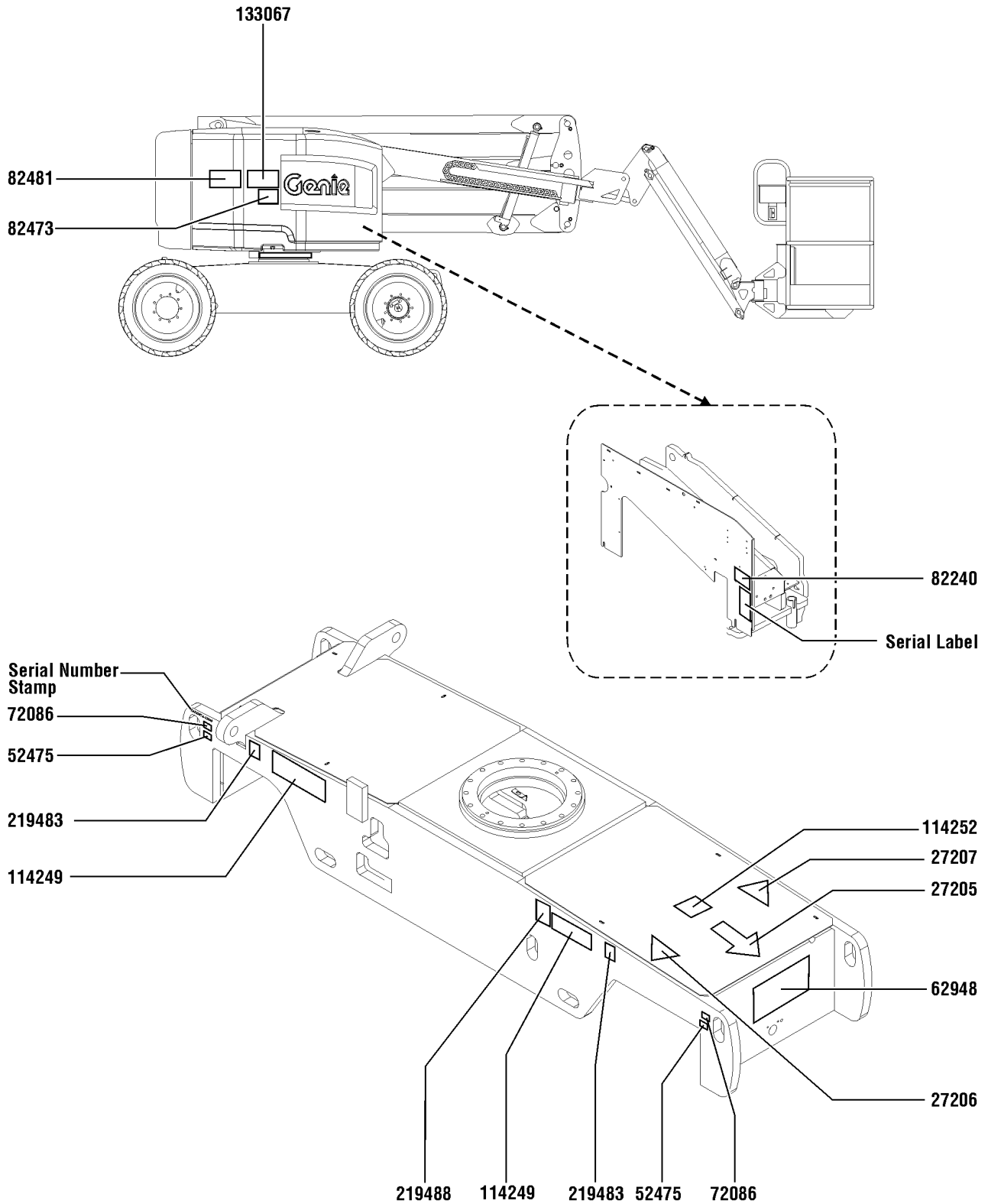
104.1 Decals with Symbol, Hydraulic Tank Side



104.1 Decals with Symbol, Hydraulic Tank Side

Item	Part No.	Description	Qty.
A	160768GT	DECAL KIT,Z45 COMP,SYM,CE <i>Complete Decal Kit, CE (from SN A-47001) (from B-1201)</i>	
B	160770GT	DECAL KIT,Z45 PLAT,SYM,CE <i>Platform Decal Kit, CE (from SN A-47001) (from B-1201)</i>	
1	27204GT	DECAL,ARROW BLUE.....	1
2	27206GT	DECAL,TRIANGLE,BLUE.....	1
3	27207GT	DECAL,TRIANGLE,YELLOW.....	1
4	28159GT	DECAL,DIESEL.....	1
5	28174GT	DECAL, POWER TO PLATFORM 230V**.....	1
6	28235GT	DECAL, POWER TO PLATFORM 115V**.....	1
7	44981GT	DECAL,LABEL,AIRLINE 110 PSI..... <i>(option)</i>	1
8	52475GT	DECAL,LABEL,TRANSPORT TIEDOWN*.....	2
9	52969GT	DECAL,COSMETIC,GENIE BOOM,HORZ.....	1
10	72086GT	DECAL,LABEL,LIFTING EYE.....	2
11	82487GT	DECAL,SYMBOL-READ THE MANUAL.....	1
12	97870GT	DECAL,COSMETIC,GENIE Z-51/30J.....	1
13	114249GT	DECAL,LABEL,TIPOVER,TIRES,SYMB.2	
14	114251GT	DECAL,LABEL,NO SMOKING,SYMB.....	1
15	114252GT	DECAL,LABEL,TIP OVER LMT SWTCH.....	2
16	133067GT	DECAL,DANGER,ELEC.HAZ.STAY CLR.....	1
17	214932GT	DECAL,GROUND CONTROL PANEL.....	1
18	219483GT	DECAL,LABEL,WHEEL LOAD Z-51.....	2
19	219488GT	DECAL,TRANSPORT/LIFT DIAGRAM....	1
20	219952GT	DECAL,EMERGENCY LOWERING.....	1

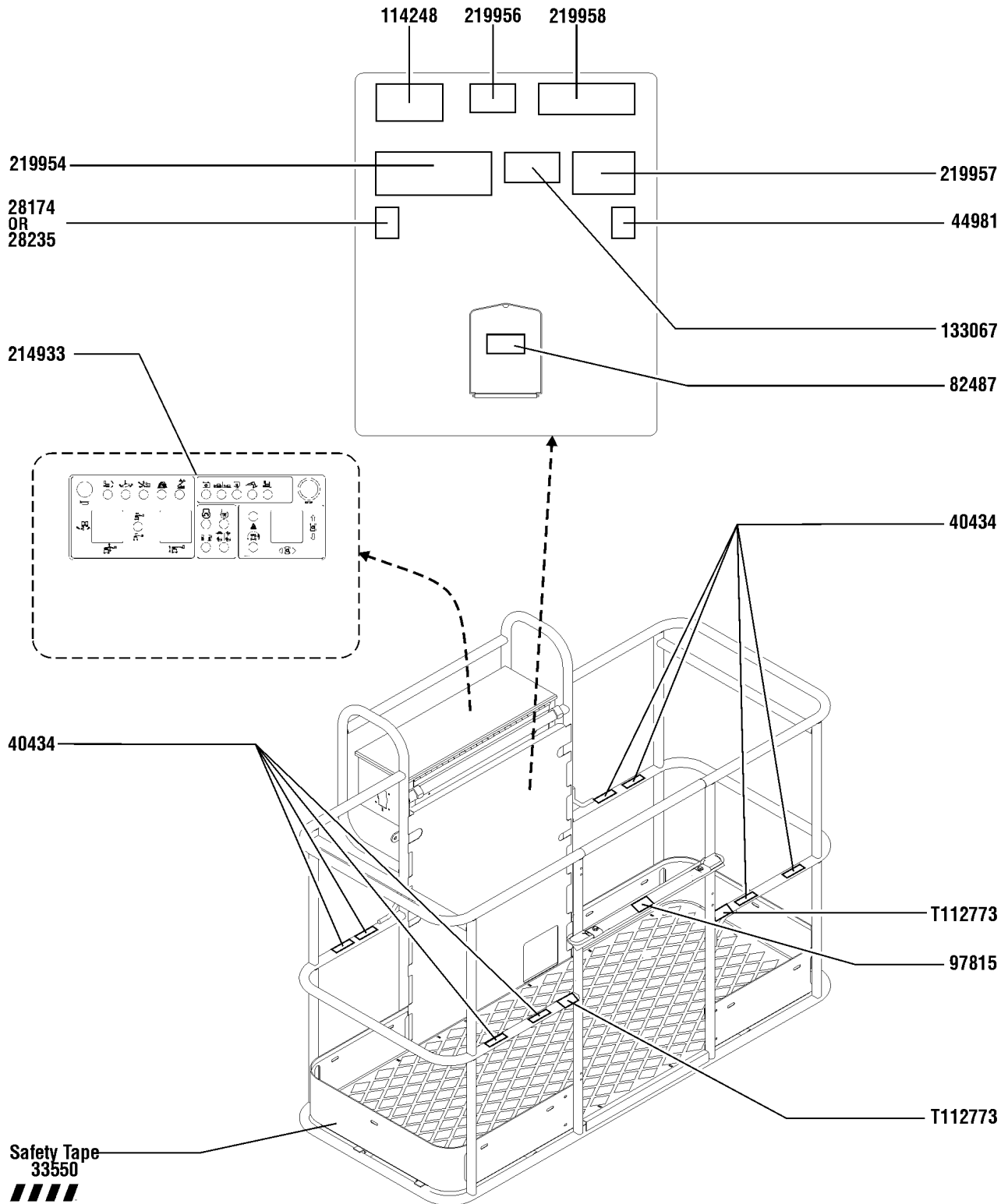
105.1 Decals with Symbol, Engine Side



105.1 Decals with Symbol, Engine Side

Item	Part No.	Description	Qty.
1	27205GT	DECAL,ARROW YELLOW LRG 9".....1	1
2	27206GT	DECAL,TRIANGLE,BLUE.....1	1
3	27207GT	DECAL,TRIANGLE,YELLOW.....1	1
4	52475GT	DECAL,LABEL,TRANSPORT TIEDOWN*.....2	2
5	62948GT	DECAL,COSMETIC,IC POWER 4 X 4.....1	1
6	72086GT	DECAL,LABEL,LIFTING EYE.....2	2
7	82240GT	DECAL,LABEL,105 DB.....1	1
8	82473GT	DECAL,SYMBOL-COMP ACCESS.....1	1
9	82481GT	DECAL,SYMBOL-BATTERY SAFETY.....1	1
10	114249GT	DECAL,LABEL,TIPOVER,TIRES,SYMB.2	2
11	114252GT	DECAL,LABEL,TIP OVER LMT SWTCH.....1	1
12	133067GT	DECAL,DANGER,ELEC.HAZ.STAY CLR.....1	1
13	219483GT	DECAL,LABEL,WHEEL LOAD Z-51.....2	2
14	219488GT	DECAL,TRANSPORT/LIFT DIAGRAM....1	1

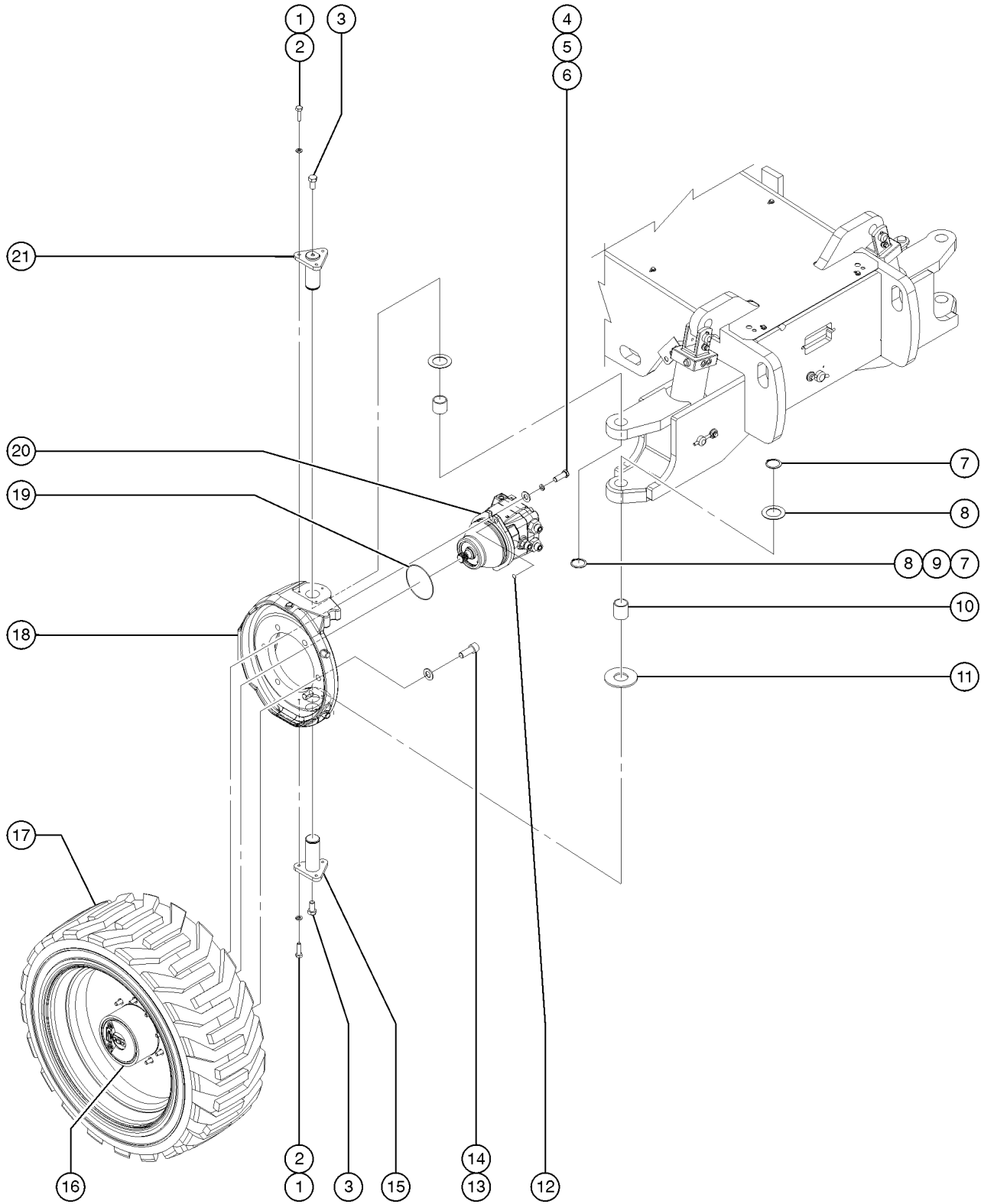
106.1 Decals with Symbol, Platform



106.1 Decals with Symbol, Platform

Item	Part No.	Description	Qty.
1	28174GT	DECAL, POWER TO PLATFORM 230V**.....	1
2	28235GT	DECAL, POWER TO PLATFORM 115V**.....	1
3	33550GT	TAPE, WARNING, BLK/YEL, 50*** <i>(sold by the roll. 648" per roll) (Required to be installed at base of platform toeboard for CE market)</i>	
4	40434GT	DECAL, LANYARD ANCHORAGE POINT.....	8
5	44981GT	DECAL, LABEL, AIRLINE 110 PSI..... <i>(option)</i>	1
6	82487GT	DECAL, SYMBOL-READ THE MANUAL.....	1
7	97815GT	DECAL, LABEL, LOWER MIDRAIL.....	1
8	114248GT	DECAL, LABEL, TIPOVER, TILT AL SY.....	1
9	133067GT	DECAL, DANGER, ELEC. HAZ. STAY CLR.....	1
10	214933GT	DECAL, PLATFORM CONTROL PANEL.....	1
11	219954GT	DECAL, TIP-OVER HAZARD, CE.....	1
12	219956GT	DECAL, PLATFORM OVERLOAD.....	1
13	219957GT	DECAL, RUNAWAY HAZARD.....	1
14	219958GT	DECAL, TIP-OVER, CRUSH.....	1
15	T112773GT	TAPE, PROTECTIVE MASK.....	2

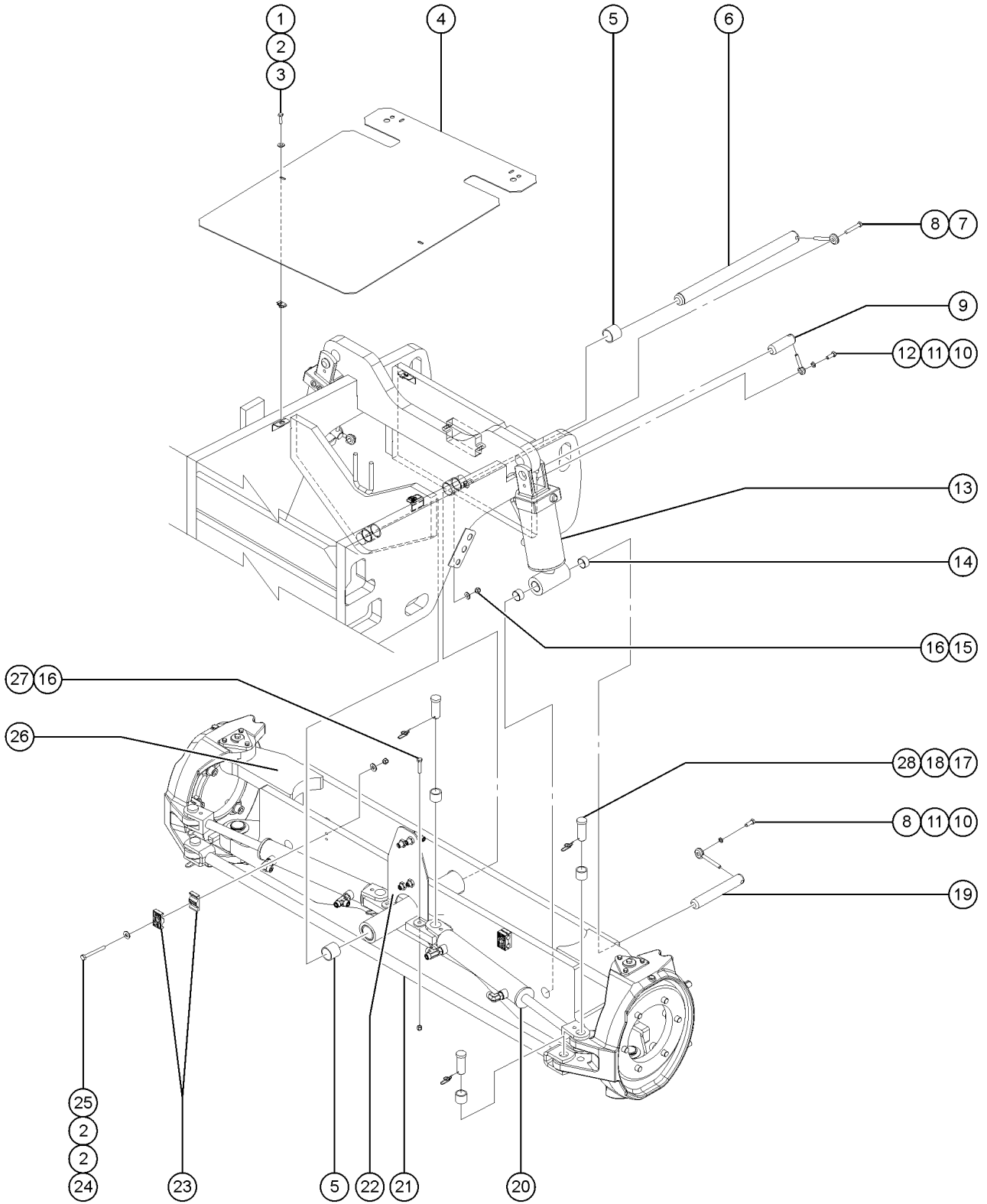
201.1 Steer-end Wheels and Hubs



201.1 Steer-end Wheels and Hubs

Item	Part No.	Description	Qty.	Item	Part No.	Description	Qty.
1	6888GT	SCREW,HHC,1/4-20 X 1		--	25817GT	BEARING,1.00IDX1.25ODX1.00L	
2	6356GT	WASHER,LOCK,.25		19	102158GT	O-RING,.103 X 4.737,VITON, 75D.....2	
3	8255GT	SCREW,HHC,3/8-16 X .75		20	101586GT	MOTOR,PISTON,LC25,6.5 DEG,13T.....2	
4	88296GT	SCREW,HHC,7/16-14 X 1.25		--	106098GT	SEAL KIT,MOTOR,LC/KC***	
5	106134GT	WASHER,FLAT,HARDENED 7/16.....4		21	237568GT	WELDMENT, PIN, 1.5INX3.2IN LG.....2	
6	20912GT	WASHER,LOCK,.437,PLTD.					
7	825796GT	SNAP RING,EXTERNAL,1.50,ZAG.....4					
8	18596GT	WASHER,FLAT,1.56 X 2.5 X .061					
9	119619GT	BEARING,1.5IDX1.75ODX1.5L,PTFE.....2					
10	146264GT	BEARING, 1.5IDX1.75ODX2.00L.....2					
11	45074GT	WASHER,THRUST,1.5 X 3.5 X .187.....2					
12	106117GT	O-RING,2-010,VITON.....1					
13	19418GT	SCREW,SHC,5/8-11 X 1.75					
14	13064GT	WASHER,FLAT,.625 HARDENED					
15	237569GT	WELDMENT, PIN, 1.5INX3.6IN LG.....2					
16	139330GT	WHEEL DRIVE W/ BRAKE,57:1***2					
--	139966GT	ROD,DISCONNECT,OMNI*** <i>for 139330</i>					
--	139967GT	CAP,DISENGAGE,OMNI*** <i>for 139330</i>					
--	139968GT	O-RING,END COVER,OMNI*** <i>for 139330</i>					
--	139969GT	LINING KIT,BRAKE,OMNI*** <i>for 139330</i>					
--	139970GT	SEAL KIT,BRAKE,OMNI*** <i>for 139330</i>					
--	139971GT	BEARING KIT,OMNI*** <i>for 139330</i>					
--	139972GT	SEAL KIT,GEARBOX,OMNI*** <i>for 139330</i>					
--	147033GT	O-RING,PIPE PLUG KIT,OMNI*** <i>for 139330</i>					
--	147034GT	PIPE PLUG KIT,OMNI*** <i>for 139330</i>					
--	230849GT	WHEEL STUD,5/8-18X67MM <i>for 139330</i>					
17A	237914GT	TIRE/WHEEL ASSY,RT FOAM,LH.....2 <i>RT, Foam-filled, left</i>					
17B	237915GT	TIRE/WHEEL ASSY,RT FOAM RH.....2 <i>RT, Foam-filled, right</i>					
17C	217190GT	TIRE/WHL ASSY,RT AIR,NON-MRK L....2 <i>RT, Air-filled, Non-marking, left</i>					
17D	217191GT	TIRE/WHL ASSY,RT AIR,NON-MRK R...2 <i>RT, Air-filled, Non-marking, right</i>					
18A	1257050GT	ASSEMBLY, YOKE, RH, Z-45 4WD <i>right</i>					
--	25817GT	BEARING,1.00IDX1.25ODX1.00L					
18B	1257049GT	ASSEMBLY, YOKE, LH, Z-45 4WD <i>left</i>					

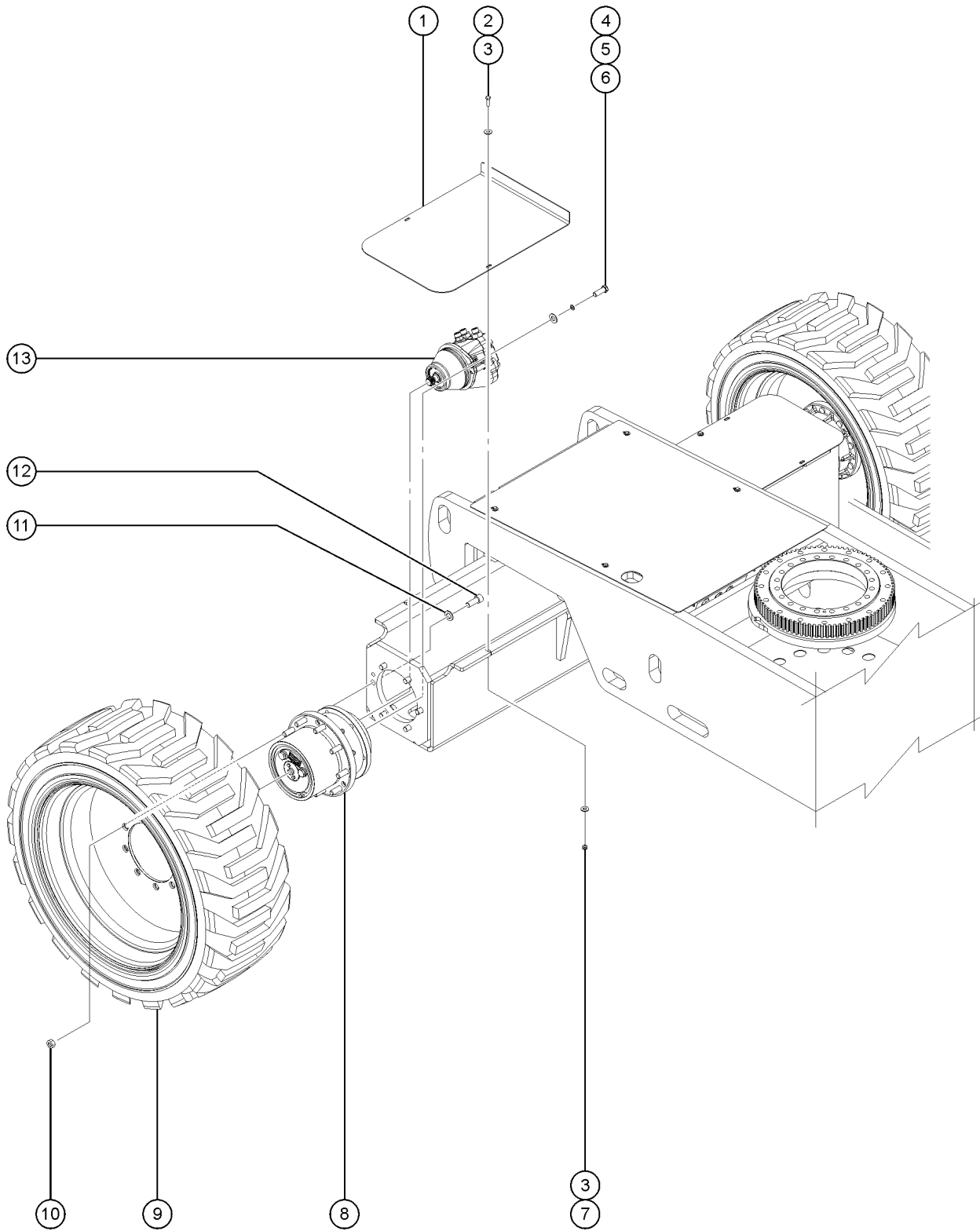
202.1 Steer Axle Linkage



202.1 Steer Axle Linkage

Item	Part No.	Description	Qty.
1	6888GT	SCREW,HHC,1/4-20 X 1	
2	6638GT	WASHER,FLAT,USS,1/4"Y	
3	56912GT	SPRING CLIP,1/4-20,.025-.15X.5.....4	
4	217526GT	COVER, DRIVE CHASSIS, FRONT.....1	
5	119619GT	BEARING,1.5IDX1.75ODX1.5L,PTFE.....2	
6	54542GT	PIN,1.50DIAX20.00LG,CHAMFER	
7	6708GT	SCREW,HHC,3/8-16 X 2.25	
8	45226GT	ROD END,.375 X 3.69.....2	
9	50742GT	PIN,1.25DIAX3.75LG,1HOLE.....2	
10	6175GT	SCREW,HHC,3/8-16 X 1	
11	6021GT	WASHER,LOCK,.375	
12	25284GT	ROD END,.375 X 2.25***.....2	
13	54567GT	CYLINDER,OSCILLATE,Z45***.....2	
--	65791GT	SEAL KIT,CYL,Z45 (54567) <i>for 54567</i>	
--	77409GT	VALVE,COUNTERBALANCE,1000 ATM	
14	25683GT	BEARING,POLYGON,20DU12.....4	
15	4828GT	NUT,NYLOCK,3/8-16	
16	5397GT	WASHER,FLAT,USS,5/16",Y	
17	19440GT	PIN,CLEVIS,1 X 2.5 LG.....	
18	25817GT	BEARING,1.00IDX1.25ODX1.00L.....6	
19	36198GT	PIN,1.25DIAX8.12LG,1HOLE.....2	
20	89065GT	CYLINDER,STEER***.....2	
--	89066GT	SEAL KIT,STEER CYL (89065) <i>for 89065</i>	
21	237703GT	TIE ROD WELDMENT, Z45/51.....1	
22	215333GT	FORMING, FRONT AXLE BRK.....1	
23	78736GT	CLAMP,2 HOSE,PLASTIC,5/8.....4	
24	6884GT	SCREW,HHC,1/4-20 X 2.5.....2	
25	6091GT	NUT,NYLOCK,1/4-20	
26	232081GT	WELDMENT, FRONT AXLE, Z45.....2	
27	13918GT	SCREW,HHC,3/8-16 X 1.75,GRD.8.....2	
28	74389GT	RUE RING 1.00.....6	

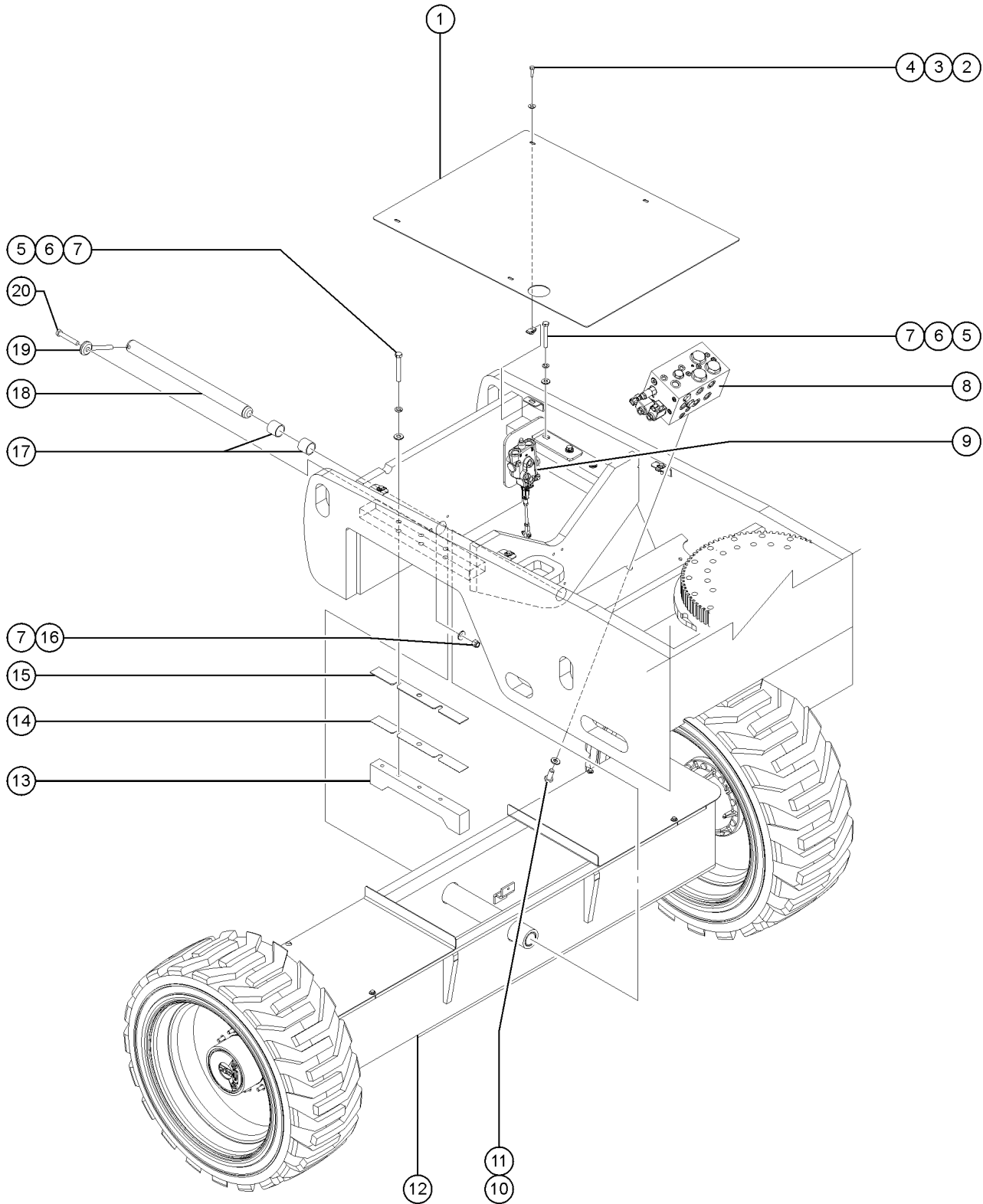
203.1 Non-steer End Wheels and Hubs



203.1 Non-steer End Wheels and Hubs

Item	Part No.	Description	Qty.
1	216057GT	COVER, REAR AXLE, METRIC Z45.....2	
2	6888GT	SCREW,HHC,1/4-20 X 1	
3	6638GT	WASHER,FLAT,USS,1/4"Y	
4	88296GT	SCREW,HHC,7/16-14 X 1.25	
5	20912GT	WASHER,LOCK,.437,PLTD.	
6	106134GT	WASHER,FLAT,HARDENED 7/16	
7	6889GT	NUT,LP NYLOCK,1/4-20	
8	139330GT	WHEEL DRIVE W/ BRAKE,57:1***2	
--	139966GT	ROD,DISCONNECT,OMNI*** <i>for 139330</i>	
--	139967GT	CAP,DISENGAGE,OMNI*** <i>for 139330</i>	
--	139968GT	O-RING,END COVER,OMNI*** <i>for 139330</i>	
--	139969GT	LINING KIT,BRAKE,OMNI*** <i>for 139330</i>	
--	139970GT	SEAL KIT,BRAKE,OMNI*** <i>for 139330</i>	
--	139971GT	BEARING KIT,OMNI*** <i>for 139330</i>	
--	139972GT	SEAL KIT,GEARBOX,OMNI*** <i>for 139330</i>	
--	147033GT	O-RING,PIPE PLUG KIT,OMNI*** <i>for 139330</i>	
--	147034GT	PIPE PLUG KIT,OMNI*** <i>for 139330</i>	
--	230849GT	WHEEL STUD,5/8-18X67MM <i>for 139330</i>	
9		Ref. WHEEL & TIRE ASSY,RR/LF,AIR <i>(refer to 201.1)</i>	
10	54627GT	NUT,LUG,5/8-18 X 90 DEGREE,Z45	
11	13064GT	WASHER,FLAT,.625 HARDENED	
12	119966GT	SCREW,SHC,5/8-11 X 1.63	
13	101586GT	MOTOR,PISTON,LC25,6.5 DEG,13T.....2	
--	106098GT	SEAL KIT,MOTOR,LC/KC***	

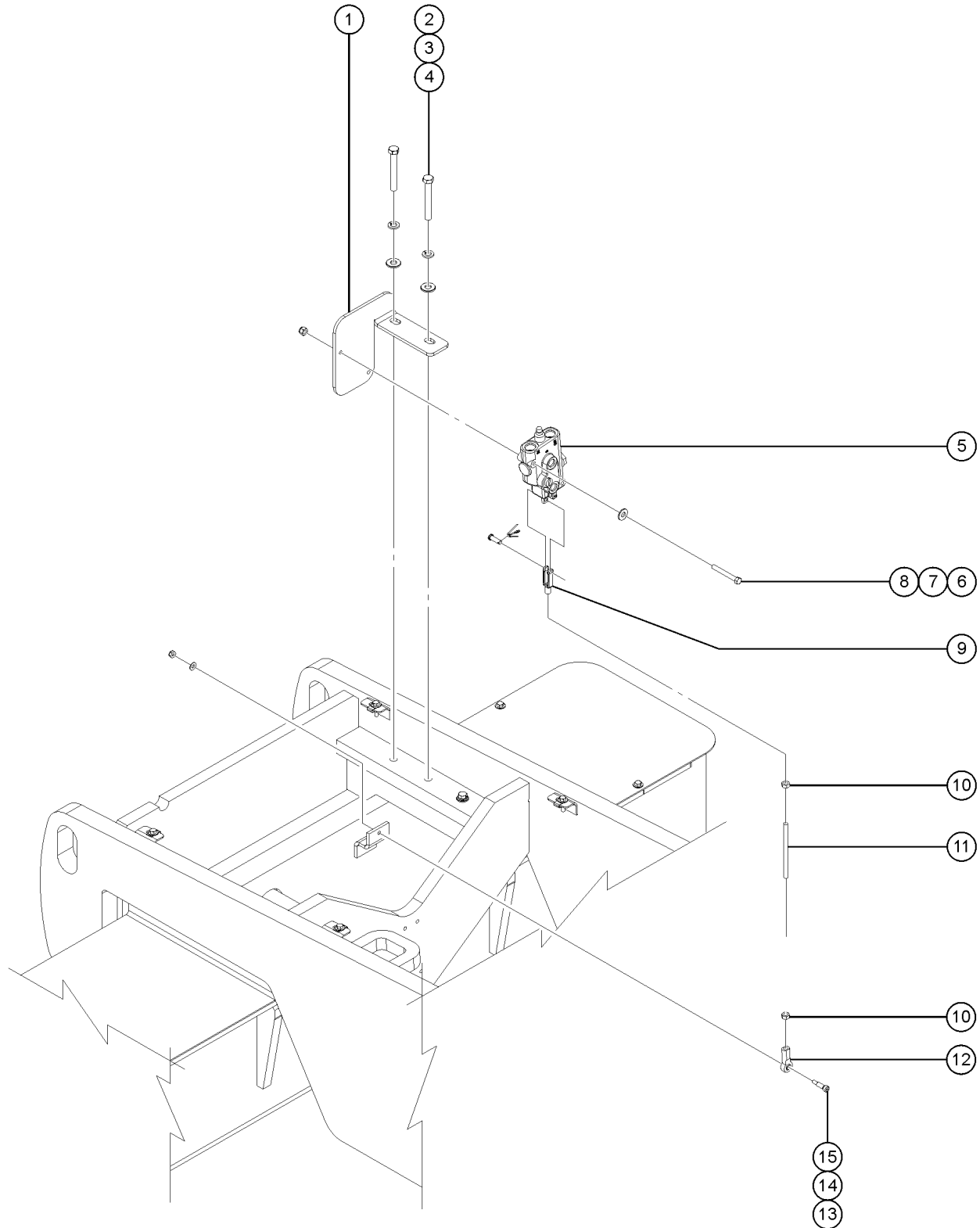
204.1 Non-steer Axle Installation



204.1 Non-steer Axle Installation

Item	Part No.	Description	Qty.
1	235642GT	COVER, DRIVE CHASSIS, REAR.....1	
2	6888GT	SCREW,HHC,1/4-20 X 1	
3	6638GT	WASHER,FLAT,USS,1/4"Y	
4	56912GT	SPRING CLIP,1/4-20,.025-.15X.5	
5	14033GT	SCREW,HHC,3/8-16 X 2.75	
6	6021GT	WASHER,LOCK,.,375	
7	5397GT	WASHER,FLAT,USS,5/16",Y	
8		Ref. Traction Manifold <i>(refer to 701.1)</i>	
9		Ref. Oscillate Valve <i>(refer to 205.1)</i>	
10	10597GT	SCREW,HHC,1/2-13 X 1.25 GR5	
11	6033GT	WASHER,LOCK,0.5"	
12	232092GT	WELDMENT, FORMED REAR AXLE.....1	
13	216205GT	BAR,AXLE ROTATION STOP.....2	
14	119209GT	SHIM,AXLE ROTATION STOP,22GA <i>as needed</i>	
15	119210GT	SHIM,AXLE ROTATION STOP,12GA <i>as needed</i>	
16	4828GT	NUT,NYLOCK,3/8-16	
17	119619GT	BEARING,1.5IDX1.75ODX1.5L,PTFE.....2	
18	54542GT	PIN,1.50DIAX20.00LG,CHAMFER.....1	
19	45226GT	ROD END,.,375 X 3.69.....1	
20	6708GT	SCREW,HHC,3/8-16 X 2.25	

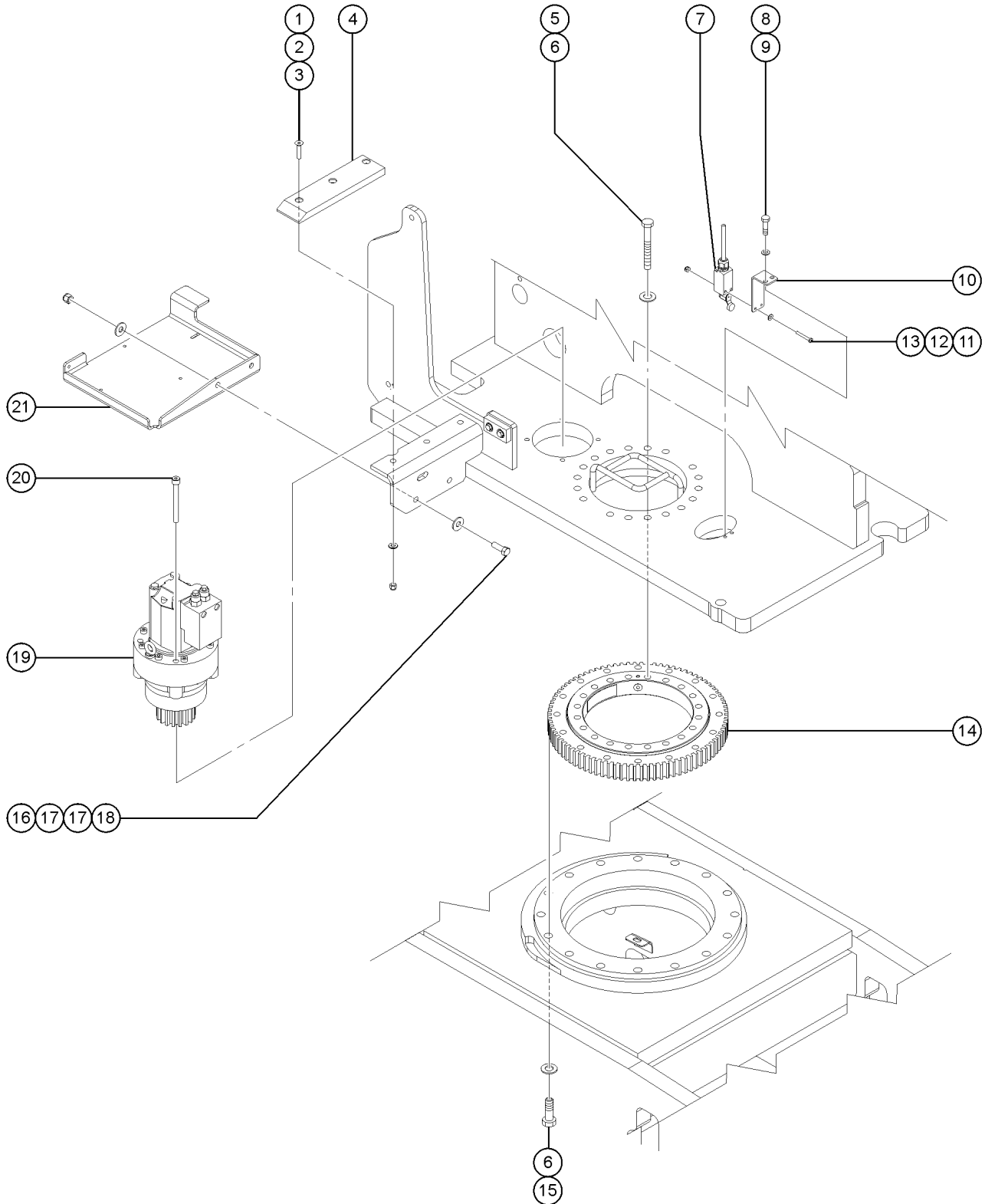
205.1 Oscillate Valve Installation



205.1 Oscillate Valve Installation

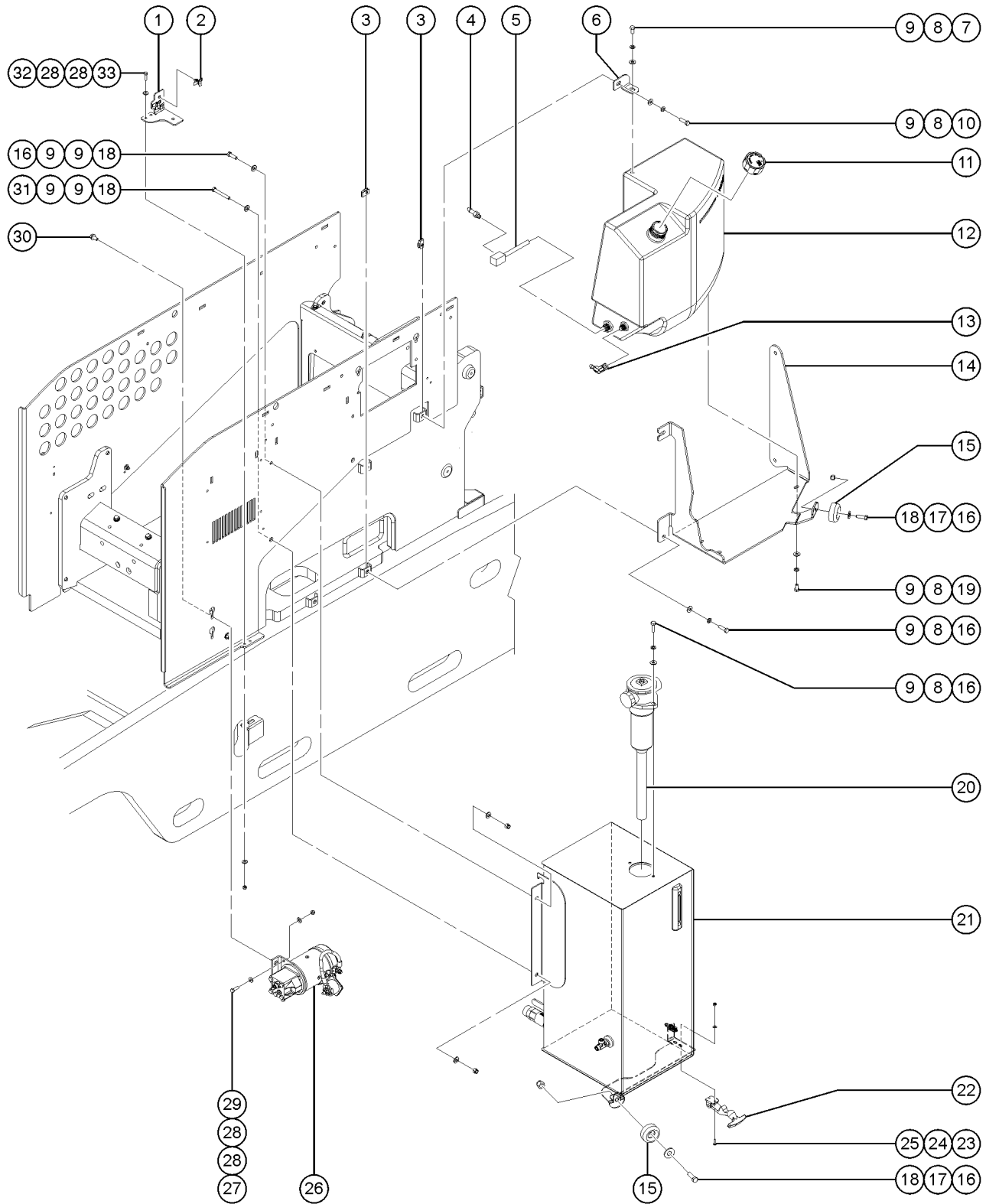
Item	Part No.	Description	Qty.
1	238345GT	FORMING, BRACKET, OSC VALVE.....1	
2	14033GT	SCREW,HHC,3/8-16 X 2.75	
3	6021GT	WASHER,LOCK,.375	
4	5397GT	WASHER,FLAT,USS,5/16",Y	
5	49768GT	VLV,MAN,3 POS/4 WAY,CLOSE CTR*....1	
--	32681GT	SEAL KIT,CONTROL VALVE for 49768	
6	4266GT	SCREW,HHC,1/4-20 X 2.....2	
7	6638GT	WASHER,FLAT,USS,1/4"Y.....2	
8	6091GT	NUT,NYLOCK,1/4-20.....2	
9	21130GT	CLEVIS YOKE-1/4-28,PLTD W/PIN.....1	
10	21496GT	NUT,HEX,1/4-28.....2	
11	30785-400GT	THREADED ROD,1/4-28 X 4 IN***.....1	
12	81691GT	ROD END,BALL JOINT 1/4-28.....1	
13	6584GT	SCREW,SHS,10-24 X .625.....1	
14	6146GT	WASHER,FLAT,MS,#10,Y.....1	
15	5365GT	NUT,NYLOCK,10-24.....1	

301.1 Turntable Rotator



Item	Part No.	Description	Qty.
1	17712GT	SCREW,FHS,3/8-16 X 1.75	
2	5397GT	WASHER,FLAT,USS,5/16",Y	
3	4828GT	NUT,NYLOCK,3/8-16	
4	50519GT	LOAD PAD,ENGINE TRAY SUPPORT....1	
5	139865GT	SCREW,HHC,5/8-11 X 4.00 GR8 BO....18	
6	13064GT	WASHER,FLAT,.625 HARDENED	
7	88356 -11103GT	SWITCH,LIMIT,W/RLR ARM,NO/NC.....1	
--	19491GT	CONTACTOR,LIMIT SWITCH	
--	89756GT	NECK/HEAD-LIMIT SWITCH (88356)	
--	97128GT	ROLLER ARM,LIMIT SWITCH***	
8	8255GT	SCREW,HHC,3/8-16 X .75	
9	6021GT	WASHER,LOCK,.375	
10	237790GT	BRACKET,DRIVE SENSOR,ENABLE.....1	
11	51063GT	SCREW,PHILLIPS,RHM,10-32 X 1.5	
12	6146GT	WASHER,FLAT,MS,#10,Y	
13	6178GT	NUT,NYLOCK,10-32	
14	101815GT	BEARING,SWING CHASSIS.....1	
15	25068GT	SCREW,SHC,5/8-11 X 4.5,A574	
16	8177GT	SCREW,HHC,1/2-13 X 1.5	
17	6095GT	WASHER,FLAT,USS,1/2",Y	
18	6198GT	NUT,NYLOCK,1/2-13	
19A		SWING DRIVE ASSY***.....1 <i>147209 is no longer available; used to Z513014B-1202, order 824050</i>	
--	147210GT	SEAL KIT,SWING DRIVE*** <i>for 147209</i>	
--	147211GT	BRAKE KIT, SWING DRIVE <i>for 147209</i>	
--	147212GT	MANIFOLD KIT, SW DRIVE <i>for 147209</i>	
--	220255GT	SEAL KIT,MANIFOLD TO MOTOR <i>for 128446</i>	
--	48904GT	ELBOW,90D,520220-4-4 <i>for 147209</i>	
--	77246GT	SEAL KIT,SWING MOTOR*** <i>for 147209</i>	
19B	824050GT	SWING DRIVE ASSEMBLY <i>from SN Z513014B-1203, replaces 147209</i>	
--	48904GT	ELBOW,90D,520220-4-4 <i>not included, must order seperately</i>	
--	824051GT	SEAL KIT, SWING DRIVE <i>for 824050</i>	
--	824052GT	VALVE BLOCK, SWING DRIVE <i>for 824050</i>	
20	56680GT	SCREW,SHC,1/2-13 X 4.50 ZINC	
21	147067GT	BRACKET,BATTERY MOUNT.....1	

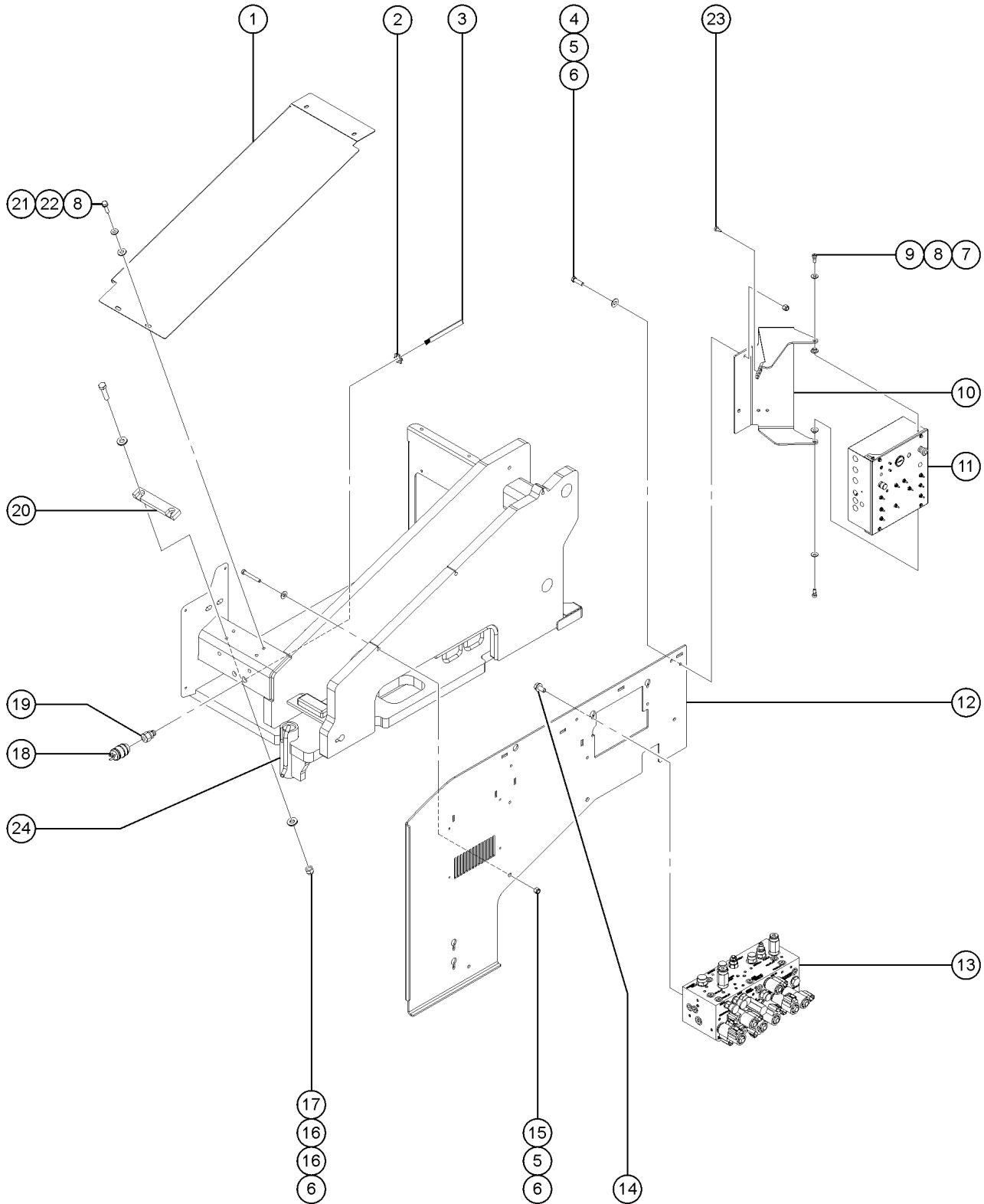
302.1 Fuel and Hydraulic Tank Installation



302.1 Fuel and Hydraulic Tank Installation

Item	Part No.	Description	Qty.	Item	Part No.	Description	Qty.
1	219350GT	FORMING, AUX. CABLE , HOSE BRK....1		--	77072GT	CHECK VALVE KIT,77066	
2	105214GT	CABLE TIE MOUNT, WINGED.....4		27	13002GT	SCREW,HHC,5/16-18 X 1 GR5	
3	29868GT	SPRING CLIP,3/8-16,.05-.20X.73.....5		28	6638GT	WASHER,FLAT,USS,1/4"Y	
4	54437GT	HOSE END,BARB,1/4 MNPTX5/16,ST....1		29	6782GT	NUT,NYLOCK,5/16-18	
5	54333GT	TUBE,FUEL PICKUP,3/8NPTX1/4PT.....1		30	121763GT	SCREW,HHC,3/8-16X.75	
6	238388GT	FORMING, UPPER FUEL TANK BRK.....1		31	14033GT	SCREW,HHC,3/8-16 X 2.75	
7	8255GT	SCREW,HHC,3/8-16 X .75		32	6888GT	SCREW,HHC,1/4-20 X 1	
8	6021GT	WASHER,LOCK,.375		33	6091GT	NUT,NYLOCK,1/4-20	
9	5397GT	WASHER,FLAT,USS,5/16",Y					
10	6175GT	SCREW,HHC,3/8-16 X 1					
11	101726GT	CAP,FUEL,DIESEL,1/8"VENT(GRN).....1					
12	119798GT	FUEL TANK ASSY, 17 GAL PLASTIC.....1 <i>(includes item 5)</i>					
--	54324GT	FITTING,BULKHEAD,3/8NPT,FUELTK					
--	54325GT	FITTING,BULKHEAD,1/4NPT,FUELTK					
13	54204GT	HOSE END,BARB,1/4 MNPTX1/4,90D....1					
14	238199GT	MOUNT, FUEL TANK.....1					
15	50974GT	BUMPER,RUBBER,COVERS.....2					
16	6019GT	SCREW,HHC,3/8-16 X 1.25 GRD 5					
17	6097GT	WASHER,FLAT,USS,3/8",Y					
18	4828GT	NUT,NYLOCK,3/8-16					
19	8255GT	SCREW,HHC,3/8-16 X .75					
20A	110345GT	FILTER ASSY,INTANK.....1 <i>includes item 20B</i>					
--	147223GT	SEAL,FILTER LID					
20B	77353GT	KIT,ELEMENT**					
--	77354GT	FILTER LID,RFM165					
--	77365GT	BREATHER CAP,RFM165					
--	88917GT	FILTER,ELEMENT,BETA(10)=200					
--	94526GT	GASKET,RETURN FILTER-77353					
21	139960GT	ASSEMBLY,HYDRAULIC TANK.....1					
--	101490GT	STRAINER,16 SAE F/24 SAE M					
--	21141GT	GAUGE-SIGHT,LHA-LGTB***					
--	94612GT	DECAL,NOTICE,DEUTZ ENG SPECST2					
22	45363GT	LATCH,FLEXIBLE.....1					
--	75076GT	KEEPER,LATCH (45363)					
23	49816GT	SCREW,PHILLIPS,PHM,10-32 X .75					
24	6146GT	WASHER,FLAT,MS,#10,Y					
25	6178GT	NUT,NYLOCK,10-32					
26	77066GT	POWER UNIT,12VDC AUX,.067CU.IN....1					
--	58490GT	PUMP ASSY (77066)					
--	77069GT	MOTOR,12VDC,77066					
--	77070GT	PUMP ASSY.,77066					
--	77071GT	SOLENOID,77066					

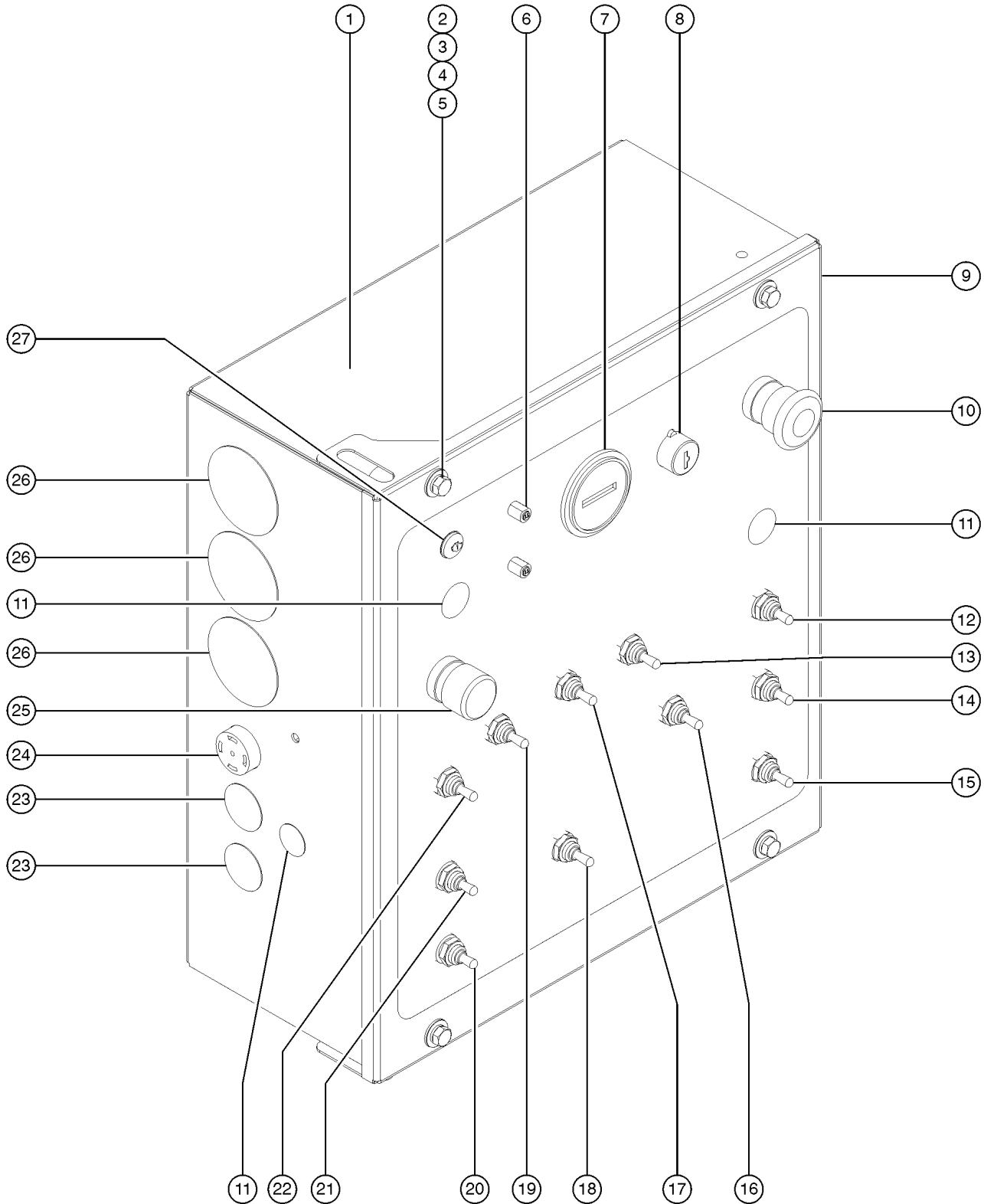
303.1 Function Manifold and Ground Control Box Installation



303.1 Function Manifold and Ground Control Box Installation

Item	Part No.	Description	Qty.
1	235643GT	COVER,CENTER SWING CHASSIS.....1	
2	6935GT	LOCKNUT,ELEC,1/2".....1	
3	43956GT	WIRE CABLE,14/3 CON.TPE JKT*.....756 <i>inches</i>	
4	6019GT	SCREW,HHC,3/8-16 X 1.25 GRD 5	
5	6097GT	WASHER,FLAT,USS,3/8",Y	
6	4828GT	NUT,NYLOCK,3/8-16	
7	218466GT	SCREW,SHS,1/4-20 X .5 ZINC	
8	6638GT	WASHER,FLAT,USS,1/4"Y	
9	218449GT	WASHER,SHOULDER,NYLON	
10	147011GT	BRACKET,CONTROL BOX MOUNTING.....1	
11		Ref. Ground Control Box.....1 <i>refer to 304.1 and 305.1</i>	
12	147017GT	BULKHEAD,TANK SIDE.....1	
13		Ref. Function Manifold.....1 <i>refer to 702.1</i>	
14	121763GT	SCREW,HHF,3/8-16X.75	
15	14033GT	SCREW,HHC,3/8-16 X 2.75	
16	5397GT	WASHER,FLAT,USS,5/16",Y	
17	8516GT	SCREW,HHC,3/8-16 X 1.50,GR5	
18A	119403GT	CONN,PLUG 120 AC/15A DOMESTIC...1	
18B	119404GT	CONN,RECEP 120AC/15A DOMESTIC	
18C	144161GT	PLUG,PWR,UK,16AMP,3PIN,BLK <i>(replaced 12153)</i>	
18D	25388GT	PLUG,FUSED,250V,13AMP,U.K.**	
--	65737GT	FUSE,13 AMP,220V PLUG*** <i>for 25388</i>	
18E	6666GT	PLUG,ELECTRICAL,220/50,NOVON	
19	7056GT	CONN,SQUEEZE,1/2NPT .38-.50,SM....1	
20	50570GT	WEAR PAD,PRIMARY BOOM,NON JIB.....1	
21	6888GT	SCREW,HHC,1/4-20 X 1	
22	6356GT	WASHER,LOCK,.25	
23	34619GT	BUMPER,RUBBER***1	
24	81834GT	WELDMENT,TRANSPORT LOCK.....1	

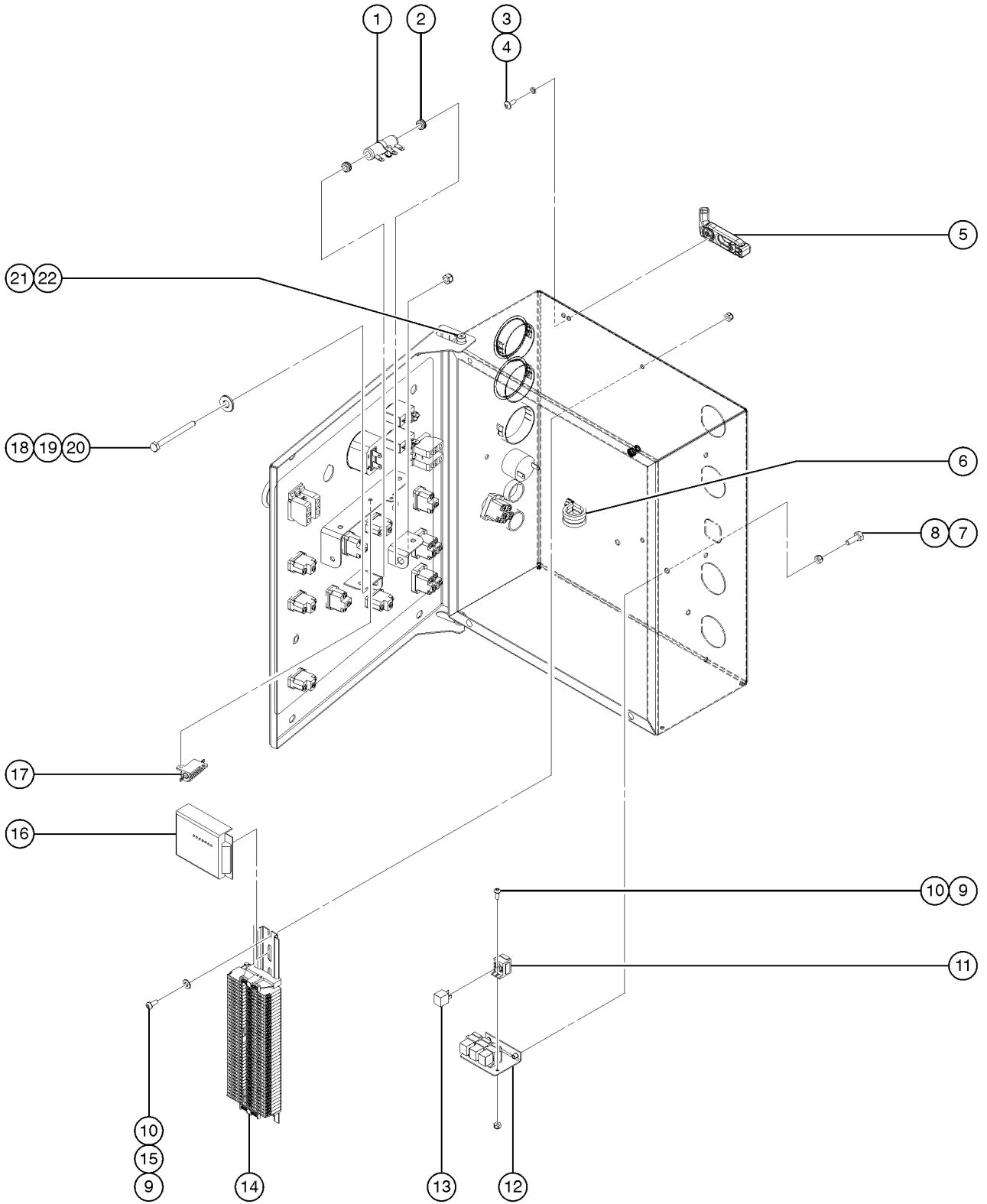
304.1 Ground Control Box



304.1 Ground Control Box

Item	Part No.	Description	Qty.	Item	Part No.	Description	Qty.
A	218451GT	ASSEMBLY,GBOX,Z45 DIESEL.....1 <i>and Z51 (complete)</i>	1	16	128200GT	SWITCH TOGGLE ASSY SPDT 3P MOM.....1 <i>Secondary boom up/down; includes boot and hardware (refer to item 12 for lower-level components)</i>	1
--	218090GT	GASKET,GROUND CONTROL BOX.....1	1	17	128200GT	SWITCH TOGGLE ASSY SPDT 3P MOM.....1 <i>Primary boom Ext/Ret; includes boot and hardware (refer to item 12 for lower-level components)</i>	1
1	218759GT	GROUND CONTROL BOX.....1	1	18	128200GT	SWITCH TOGGLE ASSY SPDT 3P MOM.....1 <i>Turntable rotate; includes boot and hardware (refer to item 12 for lower-level components)</i>	1
2	6090GT	SCREW,HHC,1/4-20 X .75		19	128200GT	SWITCH TOGGLE ASSY SPDT 3P MOM.....1 <i>Jib boom up/down; includes boot and hardware (refer to item 12 for lower-level components)</i>	1
3	6356GT	WASHER,LOCK,.25		20	128201GT	SWITCH TOGGLE ASSY DPDT 2P MOM.....1 <i>Emergency lowering; includes boot and hardware (refer to item 12 for lower-level components)</i>	1
4	6638GT	WASHER,FLAT,USS,1/4"Y		21	128202GT	SWITCH TOGGLE ASSY DPDT 3P MOM.....1 <i>Platform rotate; includes boot and hardware (refer to item 12 for lower-level components)</i>	1
5	23404GT	NUTSERT,1/4-20,STEEL CAD PLTD		22	128200GT	SWITCH TOGGLE ASSY SPDT 3P MOM.....1 <i>Platform level; includes boot and hardware (refer to item 12 for lower-level components)</i>	1
6	147090GT	CIRCUIT BREAKER, 15A.....2	2	23	45385GT	PLUG,NYLON 1.12 BLACK DOMED.....2	2
7	19506GT	HOUR METER,10-80 VOLTS***.....1	1	24	39540GT	ALARM,STEADY TONE***.....1	1
8A	96008-SGT	KEYSWITCH,3 POS. W/KEYS***.....1	1	25	66813GT	BUTTON,PUSH,BLACK W/SEAL***.....1	1
--	83093GT	KEY SINGLE***		--	66814GT	BASE,WITH 2 N.O. CONTACTS*** <i>(includes 2 N.C. contacts)</i>	
--	94506GT	BASE,W/3 NC CONTACTS		--	66816GT	CONTACT,N.O.	
8B	83131GT	KEYSWITCH,3 POS W/KEYS,LOCKING.....1	1	26	81900GT	PLUG,NYLON 2.093 BLACK DOMED.....3	3
--	83093GT	KEY SINGLE***		27	824879GT	LIGHT,LED IND. RED 12V NH.....1 <i>(for Diesel models only), original component no longer available</i>	1
--	85239GT	NUT,RETAINER (96008)					
9A	139804GT	LID,GROUND CONTROL BOX.....1 <i>Decal not included, refer to section one</i>	1				
9B	218090GT	GASKET,GROUND CONTROL BOX.....1 <i>Gasket not included with cover</i>	1				
10	66812GT	BUTTON,PUSH,RED MUSHROOM HEAD.....1	1				
--	66818GT	CONTACT,NC					
--	73805GT	BASE,W/2 NC CONTACTS*** <i>(includes 2 N.C. contacts)</i>					
11	229567GT	PLUG, SANTOPRENE .5 BLACK DOME.....1	1				
12	128204GT	SWITCH TOGGLE ASSY SPDT 2P MNT.....1 <i>Engine idle (rpm) select switch; includes boot and hardware</i>	1				
--	128578GT	SCREW T-SWITCH PH/PH 6-32X1/4					
--	128584GT	SWITCH TOGGLE SPDT 2P MNT SHDR					
--	27246GT	BOOT,TOGGLE SWITCH,SHORT*					
13	128200GT	SWITCH TOGGLE ASSY SPDT 3P MOM.....1 <i>Primary boom up/down; includes boot and hardware (refer to item 12 for lower-level components)</i>	1				
14	128200GT	SWITCH TOGGLE ASSY SPDT 3P MOM.....1 <i>Glow plug switch (Diesel); includes boot and hardware (refer to item 12 for lower-level components)</i>	1				
15	128200GT	SWITCH TOGGLE ASSY SPDT 3P MOM.....1 <i>Engine start switch; includes boot and hardware (refer to item 12 for lower-level components)</i>	1				

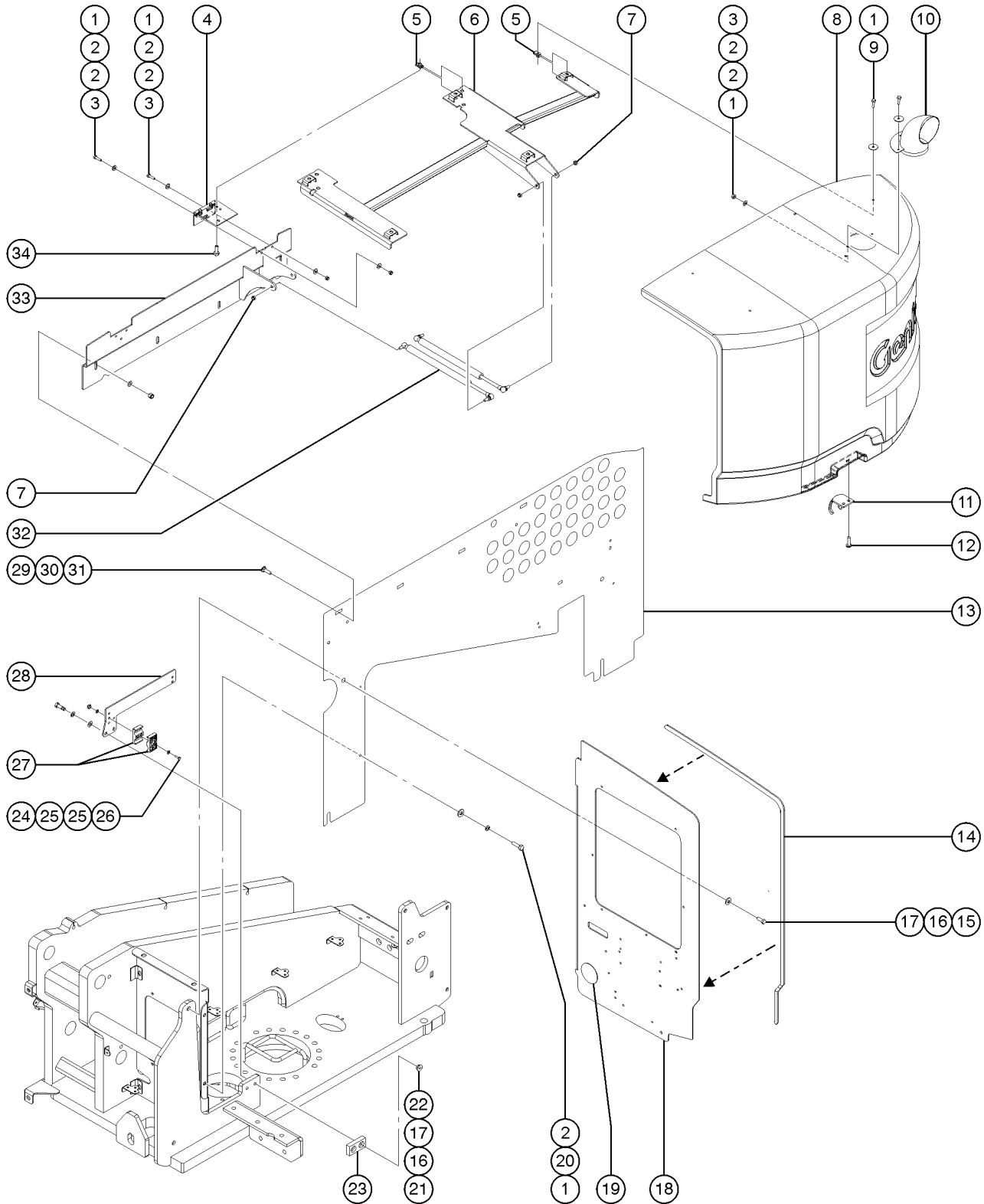
305.1 Ground Control Box, View 2



305.1 Ground Control Box, View 2

Item	Part No.	Description	Qty.
1	101010GT	RESISTOR,20 OHMS,25W,ADJ***1	
2	42646GT	GROMMET,RUBBER .25 X .50"OD.....2	
3	56055GT	SCREW,PHILLIPS TRUSSHEAD	
4	6607GT	WASHER,LOCK,#10 PLTD	
5	56053GT	LATCH,FLEXIBLE DRAW.....1	
6	13268GT	CLAMP,0.75,#12 X 1/4,RUB CUSH.....1	
7	6090GT	SCREW,HHC,1/4-20 X .75	
8	6356GT	WASHER,LOCK,.25	
9	54365GT	SCREW,PHIL,PHM,10-32 X .5,SSTL	
10	6178GT	NUT,NYLOCK,10-32	
11	34053GT	ASSY,RELAY SOCKET, AUTO.....4	
--		RELAY SOCKET,AUTO*** <i>component of 34053</i>	
12	54534GT	ANGLE,RELAY MNT,W/NUTSERTS,PNT.....1	
--	23404GT	NUTSERT,1/4-20,STEEL CAD PLTD	
13	34052GT	RELAY,SPDT,12V(AUTO) PLUG IN**.....4	
--		RELAY SOCKET,AUTO***	
--	34054GT	TERM,RELAY N-INSULATED 10-12 G	
--	34055GT	TERM RELAY,N-INSULATE 14-16 GA	
14	217812GT	ASSY,TERMINAL RAIL, Z45IC.....1	
--	216791GT	TERMINAL BLOCK,WIELAND	
--	216793GT	TERMINAL BLOCK END PLATE	
--	56994GT	DIN RAIL,11.25"	
--	74913GT	END STOP, DIN RAIL,SCREW CLAMP	
--	74917GT	JUMPER COMB, 2-WAY,WIELAND	
15	6146GT	WASHER,FLAT,MS,#10,Y	
16	56057GT	MODULE,IGNITION/START,12/24V.....1	
17	89575GT	RESISTOR,7.5 OHM,25 WATT,1PCNT....1	
--	6272GT	RIVET,STL,STL,P,.125 X .25	
18	12343GT	SCREW,HHC,1/4-20 X 3	
19	5397GT	WASHER,FLAT,USS,5/16",Y	
20	6091GT	NUT,NYLOCK,1/4-20	
21	88315GT	SCREW,SHS,1/4-20 X .25 ZINC	
22	218449GT	WASHER,SHOULDER,NYLON	

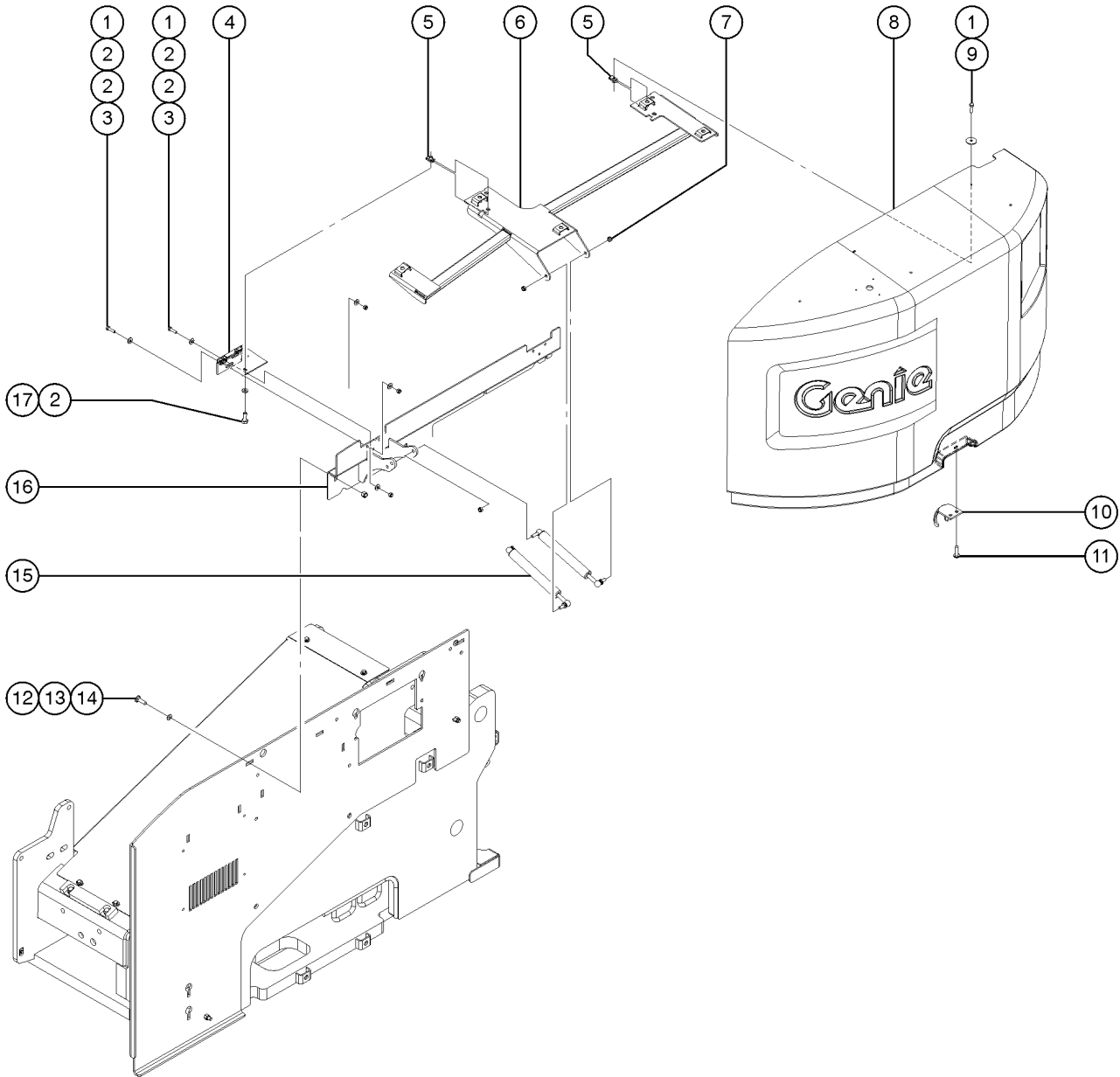
306.1 Turntable Cover, Engine Side



306.1 Turntable Cover, Engine Side

Item	Part No.	Description	Qty.
1	6888GT	SCREW,HHC,1/4-20 X 1	
2	6638GT	WASHER,FLAT,USS,1/4"Y	
3	6091GT	NUT,NYLOCK,1/4-20	
4	75073GT	HINGE,,.375X.120THK.,SLOTTED.....2	
5	56912GT	SPRING CLIP,1/4-20,.025-.15X.5.....5	
6	231601GT	WELD, COVER SUPPORT LH.....1	
7	6002GT	NUT,LP NYLOCK,5/16-18.....4	
8	139955GT	COVER,ENGINE SIDE.....1	
9	12906GT	WASHER,FENDER,.25 X 1.25 X.062....5	
10	101964GT	WELDMENT,EXHAUST TUBE.....1	
11	75076GT	KEEPER,LATCH (45363).....1	
12	54322GT	SCREW,10-32 X.625,SF.TAP.PHIL.....2	
13	147018GT	BULKHEAD, ENGINE SIDE.....1	
14	139261-5900GT 139261-5900GT	TRIM EDGE,3/16X3/4 BULB.....1	
15	6019GT	SCREW,HHC,3/8-16 X 1.25 GRD 5	
16	6021GT	WASHER,LOCK,.375	
17	5397GT	WASHER,FLAT,USS,5/16",Y	
18	231563GT	BULKHEAD, COOLING AIR.....1	
19	123572GT	HOLE PLUG, 3 IN.....1	
20	6356GT	WASHER,LOCK,.25	
21	48425GT	NUT,LOCKING-LRG.FLANGE,3/8-16	
22	8516GT	SCREW,HHC,3/8-16 X 1.50,GR5	
23	81640GT	WEAR PAD,3 X 1.5 X.625 W/NUTS.....1 (includes item 19)	
24	6637GT	SCREW,HHC,1/4-20 X 1.75	
25	6638GT	WASHER,FLAT,USS,1/4"Y	
26	6091GT	NUT,NYLOCK,1/4-20	
27	78736GT	CLAMP,2 HOSE,PLASTIC,5/8.....4	
28	217518GT	BRACKET,BATTERY CABLE	
29	105092GT	BOLT,CARRIAGE,3/8-16X1.25,GR5	
30	87684GT	PUSH RETAINER, 3/8" SCREW.....4	
31	4828GT	NUT,NYLOCK,3/8-16	
32	106069GT	STRUT,GAS,200 LB***2	
--	33555GT	BALL STUD**	
33	219080GT	WLDMT, BULKHEAD HINGE MNT, ES...1	
34	6090GT	SCREW,HHC,1/4-20 X .75	

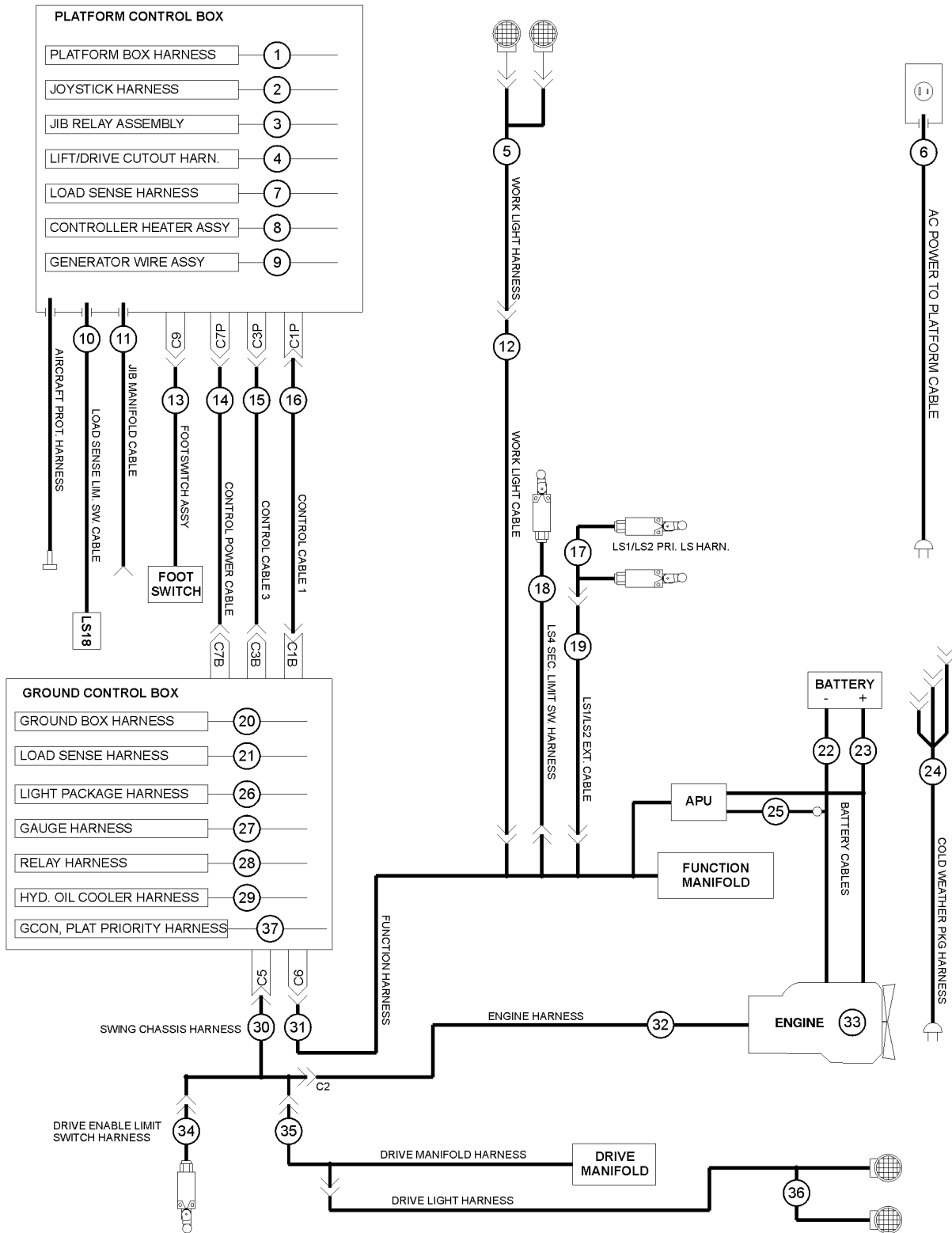
307.1 Turntable Cover, Tank Side



307.1 Turntable Cover, Tank Side

Item	Part No.	Description	Qty.
1	6888GT	SCREW,HHC,1/4-20 X 1	
2	6638GT	WASHER,FLAT,USS,1/4"Y	
3	6091GT	NUT,NYLOCK,1/4-20	
4	75073GT	HINGE,,375X.120THK.,SLOTTED.....2	
5	56912GT	SPRING CLIP,1/4-20,.025-.15X.5.....5	
6	231597GT	WELD, COVER SUPPORT RH.....1	
7	6002GT	NUT,LP NYLOCK,5/16-18.....4	
8	139957GT	COVER, TANK SIDE.....1	
9	12906GT	WASHER,FENDER,.25 X 1.25 X.062	
10	75076GT	KEEPER,LATCH (45363).....1	
11	54322GT	SCREW,10-32 X.625,SF.TAP.PHIL.....2	
12	105092GT	BOLT,CARRIAGE,3/8-16X1.25,GR5	
13	87684GT	PUSH RETAINER, 3/8" SCREW	
14	4828GT	NUT,NYLOCK,3/8-16	
15	139241GT	STRUT,GAS,14",200LBS.....2	
--	33555GT	BALL STUD**	
16	219079GT	WLDMT, BULKHEAD HINGE MNT, TS	
17	6090GT	SCREW,HHC,1/4-20 X .75	

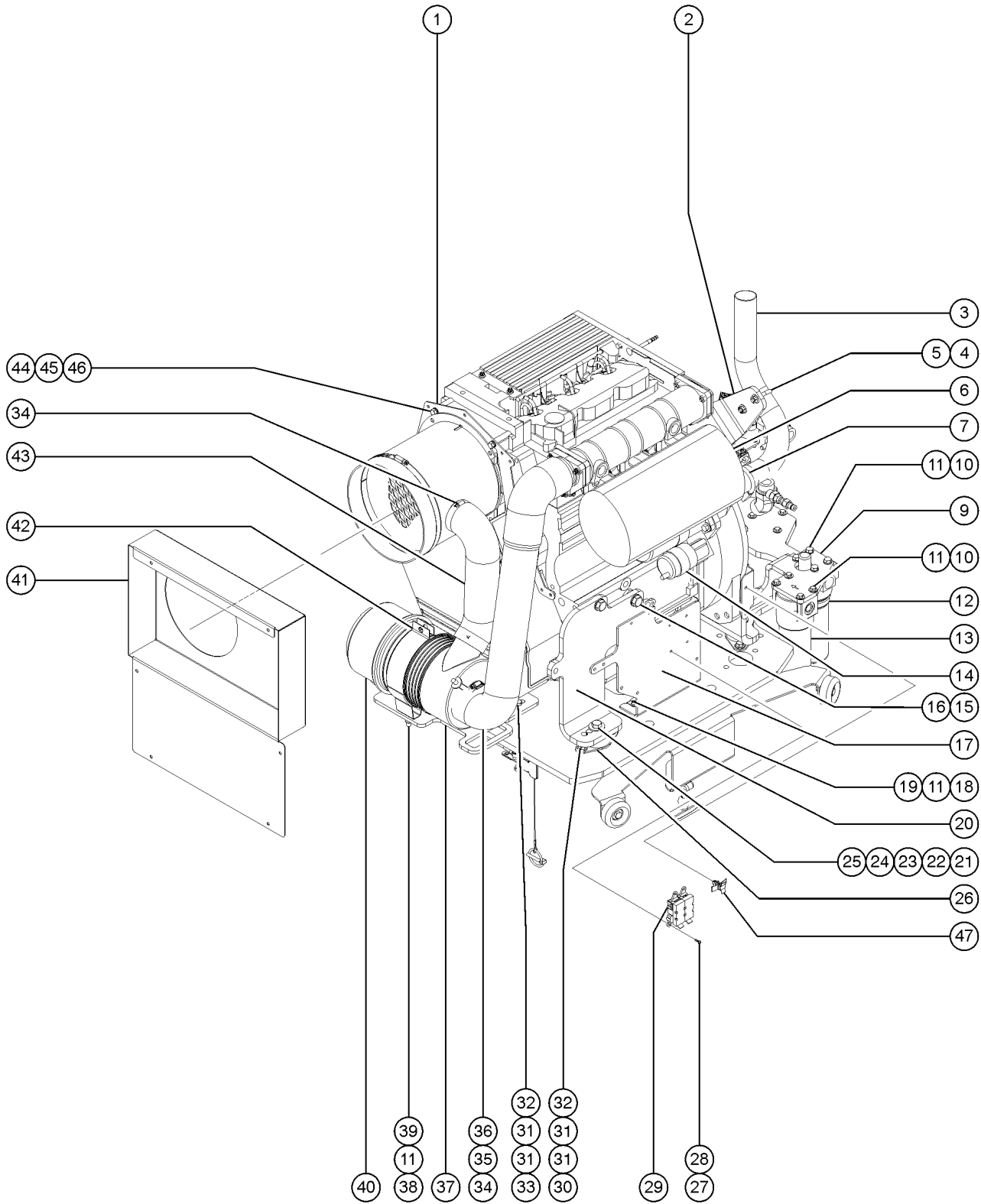
308.1 Wire Harness Diagram



308.1 Wire Harness Diagram

Item	Part No.	Description	Qty.	Item	Part No.	Description	Qty.
1	218198GT	HARNESS,PBOX,Z45IC.....1 <i>and Z51</i>	1	34	110160GT	HARNESS,LS,D.E. Z45.....1 <i>and Z51</i>	1
2	218781GT	HARNESS,JOYSTICK.....1	1	35	217904GT	HARN BRAKE-MS ADAPTER CABLE....1	1
3	219843GT	HARN,JIB OPTION,PBOX,Z45/Z51.....1	1	36	219684GT	HARN,DRIVE LIGHTS,Z45/Z51.....1	1
4	219670GT	HARN,LIFT/DRIVE CUTOUT,Z45/Z51.....1 <i>CE models</i>	1	37	1261298GT	HARNESS ASSY,GCON,PLAT PRTY.....1	1
5	T114627GT	HARNESS,12V WORK LIGHTS.....1	1				
6	30794GT	WIRE,12/3 SJEOW,BK-WH-GR/YL.....797-inches					
7	218657GT	HARN,JUMPER,LOAD SENSE,PBOX....1	1				
8	219683GT	ASSY,ALC500 HEATER,Z45/Z51.....1	1				
9	219672GT	HARNESS,GENERATOR,PBOX,Z45/51.1	1				
10	121848GT	ASSY,LS,LOAD SENSE,38.5 IN.....1	1				
11	101080GT	HARNESS,JIB SELECT MANIFOLD.....1	1				
12	161173GT	HARN,CABLE,WORK LIGHTS,Z51.....1	1				
13	227617GT	ASSEMBLY,FOOT SWITCH.....1	1				
14	216742GT	HARN 12/3 CABLE2 Z51 PWR/PLAT....1	1				
15	216741GT	HARN CONTROL CABLE3,Z51.....1	1				
16	216740GT	HARN CONTROL CABLE1,Z51PIN.....1	1				
17	88725GT	HARNESS,LS,PRIM/EXT.....1	1				
18	218684GT	HARNESS,LS SEC UP/DOWN.....1	1				
19	218685GT	HARNESS,LS EXTEND PIGTAIL.....1	1				
20	218195GT	HARNESS,GBOX,Z45IC.....1 <i>and Z51</i>	1				
--	36899GT	SPLICE,PARALLEL,RED,INSULATED <i>from 15B-1481</i>					
--	56445GT	DIODE,6 AMP 200 PIV,REEL					
21	219305GT	HARNESS,JUMPER,LOAD SENSE,GBOX.....1	1				
22	218455GT	BATTERY CABLE,NEGATIVE,BLACK....1	1				
23	218454GT	BATTERY CABLE,POSITIVE,RED.....1	1				
24A	161078GT	ASSY,240V COLD WEATHER PKG.....1 <i>(option)</i>	1				
24B	161079GT	ASSY,120V COLD WEATHER PKG.....1 <i>(option)</i>	1				
25	218506GT	BATTERY CABLE,NEGATIVE,APU.....1	1				
26	219685GT	HARNESS,RELAY,LIGHT PKG,Z45/51...1	1				
27	219673GT	HARNESS,GAUGE,Z45/51.....1	1				
28	218196GT	HARNESS,RELAY,GBOX,Z45IC.....1	1				
29	220234GT	HARNESS,RELAY,OIL COOLER.....1 <i>(option)</i>	1				
30	217782GT	HARN,SWING CHASSIS,Z45IC/Z51.....1	1				
31	217957GT	HARN,FUNCTION MANIFOLD,Z45IC....1 <i>and Z51</i>	1				
32	216339GT	HARN DEUTZ ENGINE Z45-2012.....1 <i>and Z51</i>	1				
33	160681GT	HARN,2ND GLOW PLUG,DTZ.....1	1				

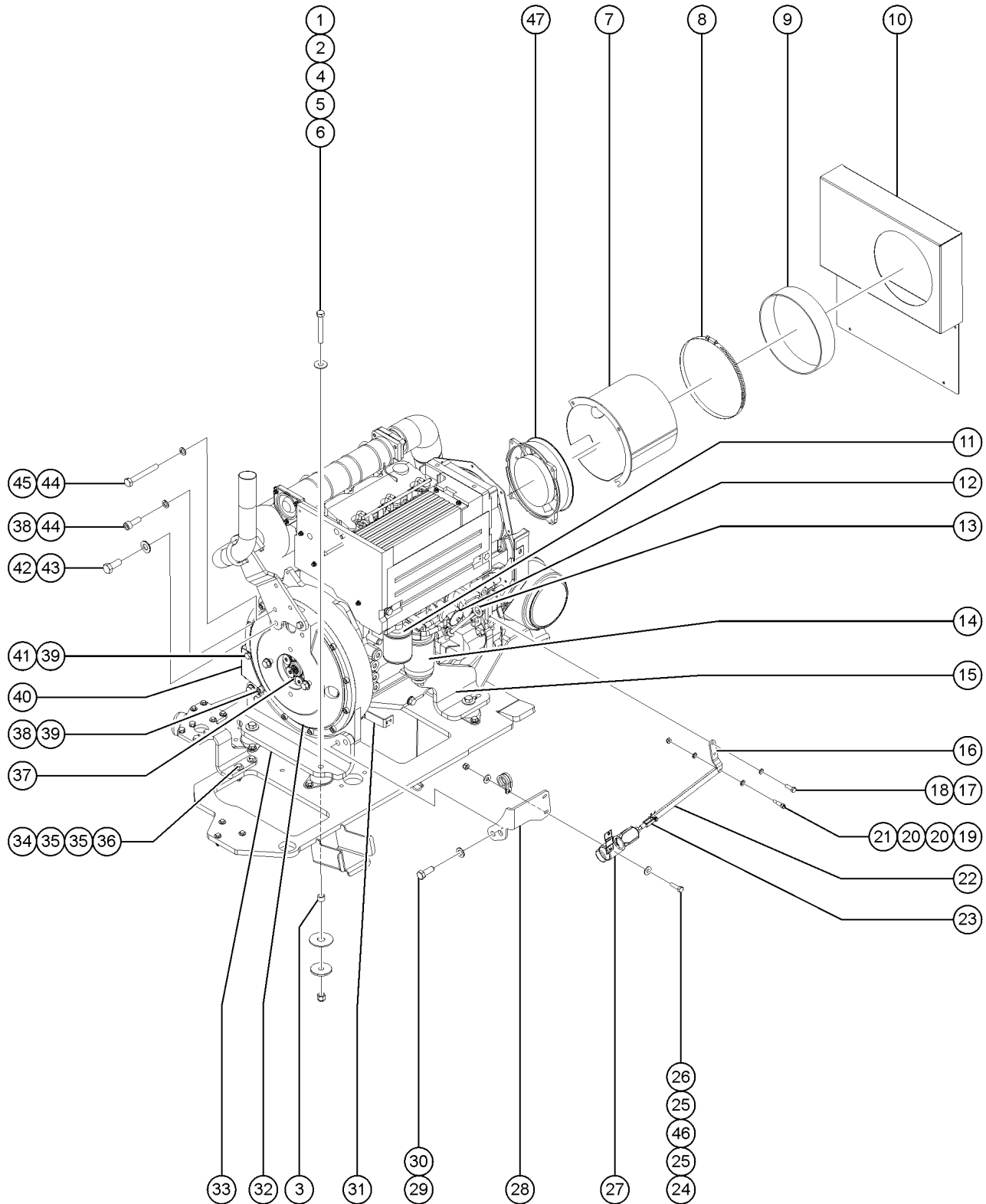
401.1 Deutz D2011L03i Engine, View 1



401.1 Deutz D2011L03i Engine, View 1

Item	Part No.	Description	Qty.	Item	Part No.	Description	Qty.
--	35499GT	GUIDE RING,STANDARD		23	101729GT	WASHER,VIBRATION ISOLATING	
--	139624GT	SWITCH, OIL PRESSURE 1.5 BAR		24	24040GT	WASHER,1/2 PLATE(1/2X2.25X3/16	
--	111445GT	SENDING UNIT,OIL TEMP SWCH,DTZ		25	6198GT	NUT,NYLOCK,1/2-13	
--	1259374GT	PIN, DEUTZ (FOR PN 65849) <i>for 65849</i>		26	70452GT	ISOLATOR,ENGINE VIBRATION***4	
--	1259375GT	PLUG, DEUTZ (FOR PN 65849) <i>for 65849</i>		27	56286GT	SCREW,RHM,8-32 X .75	
--	65849GT	CONNECTOR KIT, DEUTZ**		28	18605GT	NUT,NYLOCK,8-32	
1	216340GT	MOUNTING BRKT,FRONT HARNESS....1		29	218221GT	ASSY,FUSE BLOCK,LMI,1 POLE.....1	
2	101138GT	BRACKET,MUFFLER,DEUTZ 3 CYL***1		30	8516GT	SCREW,HHC,3/8-16 X 1.50,GR5	
3	219668GT	EXHAUST PIPE, DEUTZ 3 CYL DSL.....1		31	5397GT	WASHER,FLAT,USS,5/16",Y	
4	80391GT	U-BOLT,5/16 -18 X 2IN**		32	4828GT	NUT,NYLOCK,3/8-16	
5	18503GT	NUT,LOCKING-LG.FLANGE,5/16-18		33	13918GT	SCREW,HHC,3/8-16 X 1.75,GRD.8.....3	
6	32695GT	MUFFLER,DEUTZ.....1		34	45435GT	CLAMP,HOSE,2.50***3	
--	29559GT	GASKET,EXHAUST		35	70375GT	HOSE,AIR CLEANER.....1	
7	70385GT	CLAMP,EXHAUST,2.00 PLATED.....1		36	30971GT	CLAMP,HOSE,3.00".....1	
8	6175GT	SCREW,HHC,3/8-16 X 1		37	120240GT	WELDMENT,AIR CLEANER BRACKET.....1	
9	235654GT	FORMING,OIL FILTER BRACKET.....1		38	13002GT	SCREW,HHC,5/16-18 X 1 GR5	
10	6090GT	SCREW,HHC,1/4-20 X .75		39	18503GT	NUT,LOCKING-LG.FLANGE,5/16-18	
11	6638GT	WASHER,FLAT,USS,1/4"Y		40	63463GT	AIR CLEANER,NELSON***1	
12	60334GT	FILTER ASSY,HIGH PRESS SAE-12*1		--	53952GT	BRKT,AIR CLEANER ORIENTATION**	
--	58222GT	O-RING,FILTER ASSY (60334)***		--	58415GT	CLIP,AIR CLEANER END CAP***	
--	58223GT	SEAL,FILTER ASSY (60334)***		--	62420GT	FILTER,AIR***	
--	58380GT	FILTER INDICATOR-(60334)		--	65810GT	BAFFLE, AIR CLEANER (27915)**	
--	60857GT	FILTER,ELEMENT,BETA(5)=1000		41	235645GT	FORM,DEUTZ AIR INTAKE BAFFLE....1	
13		FILTER ASY,M PRESS,SAE8,WOIND* (77139).....1 <i>component no longer available</i>		42	53952GT	BRKT,AIR CLEANER ORIENTATION**1	
--	60857GT	FILTER,ELEMENT,BETA(5)=1000 <i>for 77139</i>		43	101006GT	TUBE,AIR CLEANER INLET.....1	
13A	1267807GT	ASSEMBLY, MED. PRESS. FILTER		44	49378GT	SCREW,HHC,M8 X 16	
--	1268229GT	ELEMENT-5 MIC, PAPER, W/BYPASS <i>for 1267807</i>		45	49408GT	WASHER, LOCK, M8	
14	139709GT	STARTER, 12V.....1		46	33277GT	WASHER,FLAT,M8,YELLOW ZINC	
--	139622GT	HEAT SHIELD,DEUTZ STARTER		47	105214GT	CABLE TIE MOUNT, WINGED.....1	
--	70376GT	STARTER,DEUTZ,F4L1011F/F3L1011					
15	22558GT	SCREW,HHC,M14 X 40MM,GR 8.8.....9					
16	49411GT	WASHER,FLAT,M14					
17	216343GT	MOUNTING BRKT,ELECTRICAL PANEL.....1					
18	56912GT	SPRING CLIP,1/4-20,.025-.15X.5.....2					
19	8915GT	SCREW,HHC,1/4-20 X 1.25					
20	70461GT	FORMING,ENGINE MOUNT,FL***1					
21	8357GT	SCREW,HHC,1/2-13 X 3.5					
22	6095GT	WASHER,FLAT,USS,1/2",Y					

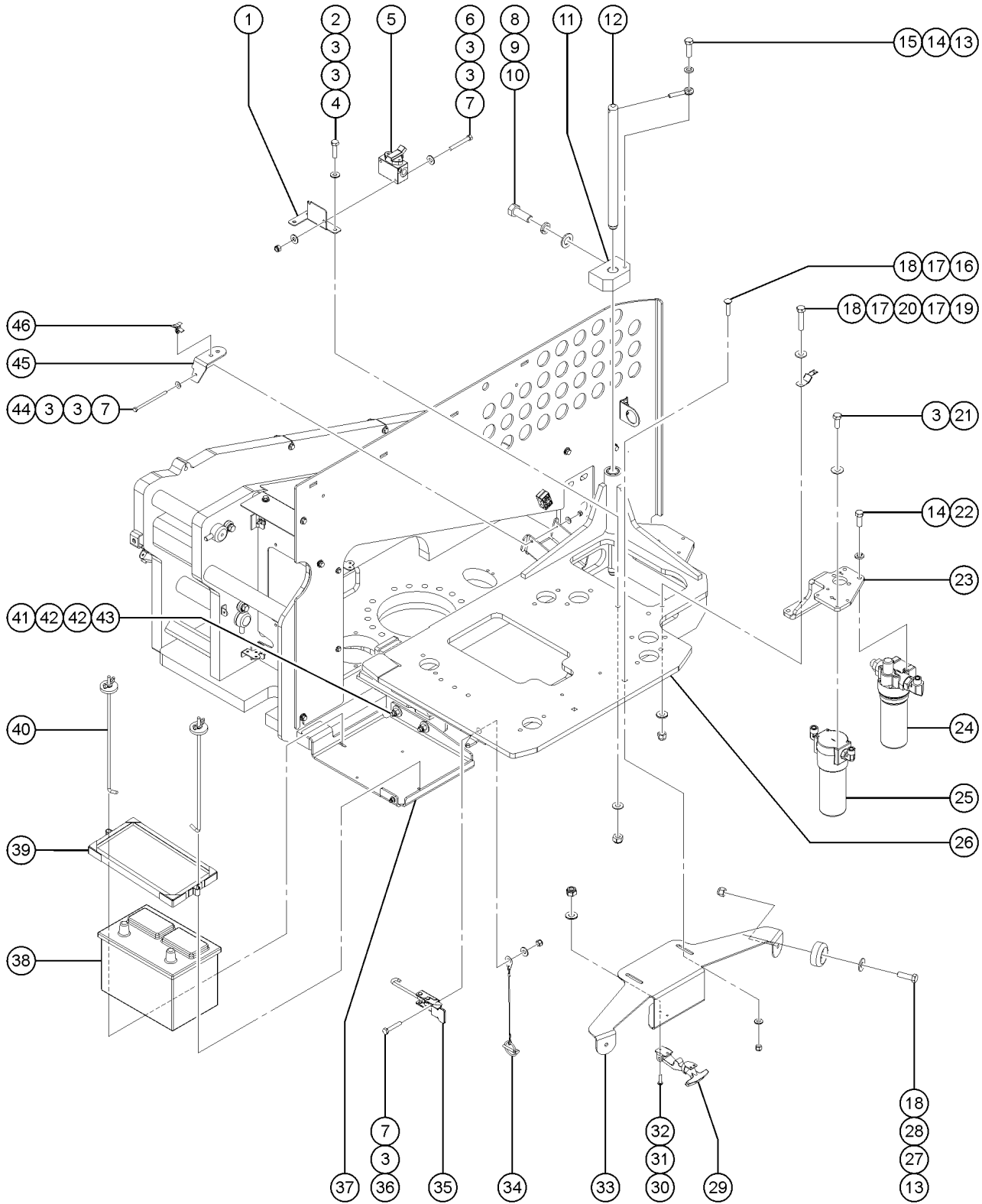
402.1 Deutz D2011L03i Engine, View 2



402.1 Deutz D2011L03i Engine, View 2

Item	Part No.	Description	Qty.	Item	Part No.	Description	Qty.
1	8357GT	SCREW,HHC,1/2-13 X 3.5		34	13918GT	SCREW,HHC,3/8-16 X 1.75,GRD.8.....2	
2	6095GT	WASHER,FLAT,USS,1/2",Y		35	6097GT	WASHER,FLAT,USS,3/8",Y	
3	219991GT	SPACER,19.1 ODX13.5 IDX15.9.....4		36	4828GT	NUT,NYLOCK,3/8-16	
4	101729GT	WASHER,VIBRATION ISOLATING		37	128004GT	COUPLER,15 TOOTH,FBA,SAE8***.....1	
5	24040GT	WASHER,1/2 PLATE(1/2X2.25X3/16		38	61110GT	SCREW,SHC,M10X1.5X30 GR 12.9.....9	
6	6198GT	NUT,NYLOCK,1/2-13		39	22699GT	WASHER,FLAT,M10,ZINC PLTD.	
7	101140GT	WELDMENT,AIR INTAKE TUBE.....1		40	216341GT	MOUNT BRKT,POS.BATTERY CABLE...1	
8	31523GT	CLAMP,HOSE,8.50 DIA***.....1		41	25548GT	SCREW,HHC,M10 X 40MM,GRD8.....1	
9	33239GT	SHEET,RUBBER,AIR INTAKE.....1		42	10597GT	SCREW,HHC,1/2-13 X 1.25 GR5	
10	235645GT	FORM,DEUTZ AIR INTAKE BAFFLE.....1		43	13066GT	WASHER,FLAT,5 HARDENED	
11	49924GT	FILTER,OIL,DEUTZ F4L1011F.....1 <i>Genie Genuine Part. See PN 1255653 for compatible aftermarket replacement.</i>		44	22700GT	WASHER,LOCK,M10	
--	1255653GT	FILTER,OIL,DEUTZ,REPLACEMENT.....1 <i>Genie Aftermarket Part. Compatible with Genie Genuine Part 49924.</i>		45	67631GT	SCREW,HHC,M10 X 80 GR 8.8.....2	
12	111668GT	PUMP,FUEL 2011 DEUTZ ***.....1		46	13268GT	CLAMP,0.75,#12 X 1/4,RUB CUSH.....1	
13	89781GT	DIPSTICK, OIL (DEUTZ 2011F)***.....1		47	35586GT	ALTERNATOR, DEUTZ F3L10/F4L10*....1	
14	29560GT	FILTER,FUEL/WTR SEP, DTZ 1008.....1 <i>Genie Genuine Part. See PN 1254826 for compatible aftermarket replacement.</i>					
--	1254826GT	FUEL FILTER W/SEP,DEUTZ,1008.....1 <i>Genie Aftermarket Part. Filter for Deutz F3L 1011F Engine.</i>					
15	70460GT	FORMING,ENGINE MOUNT,FR***.....1					
16	50787GT	LEVER,GOVERNOR ACTUATOR**.....1					
17	22578GT	SCREW,HHC,M6 X 20MM,GR8.8					
18	49407GT	WASHER,LOCK,M6					
19	6584GT	SCREW,SHS,10-24 X .625					
20	25926GT	WASHER,FLAT,M6 PLTD.					
21	5365GT	NUT,NYLOCK,10-24					
22	94485GT	THROTTLE LINKAGE,DIESEL***.....1					
23	21130GT	CLEVIS YOKE-1/4-28,PLTD W/PIN.....1 <i>includes clevis pin and cotter pin</i>					
24	6888GT	SCREW,HHC,1/4-20 X 1					
25	6638GT	WASHER,FLAT,USS,1/4"Y					
26	6091GT	NUT,NYLOCK,1/4-20					
27	77402GT	SOLENOID,THROTTLE ACTUATOR DSL.....1 <i>assy 161087</i>					
28	101129GT	BRACKET,SOLENOID MOUNT.....1					
29	22558GT	SCREW,HHC,M14 X 40MM,GR 8.8.....9					
30	49411GT	WASHER,FLAT,M14					
31	77245GT	BRACKET,SOLENOID MOUNT BRACE**.....1					
32	70381GT	COVER,FLYWHEEL CASTING.....1					
33	214846GT	FORMING,REAR ENGINE MOUNT.....2					

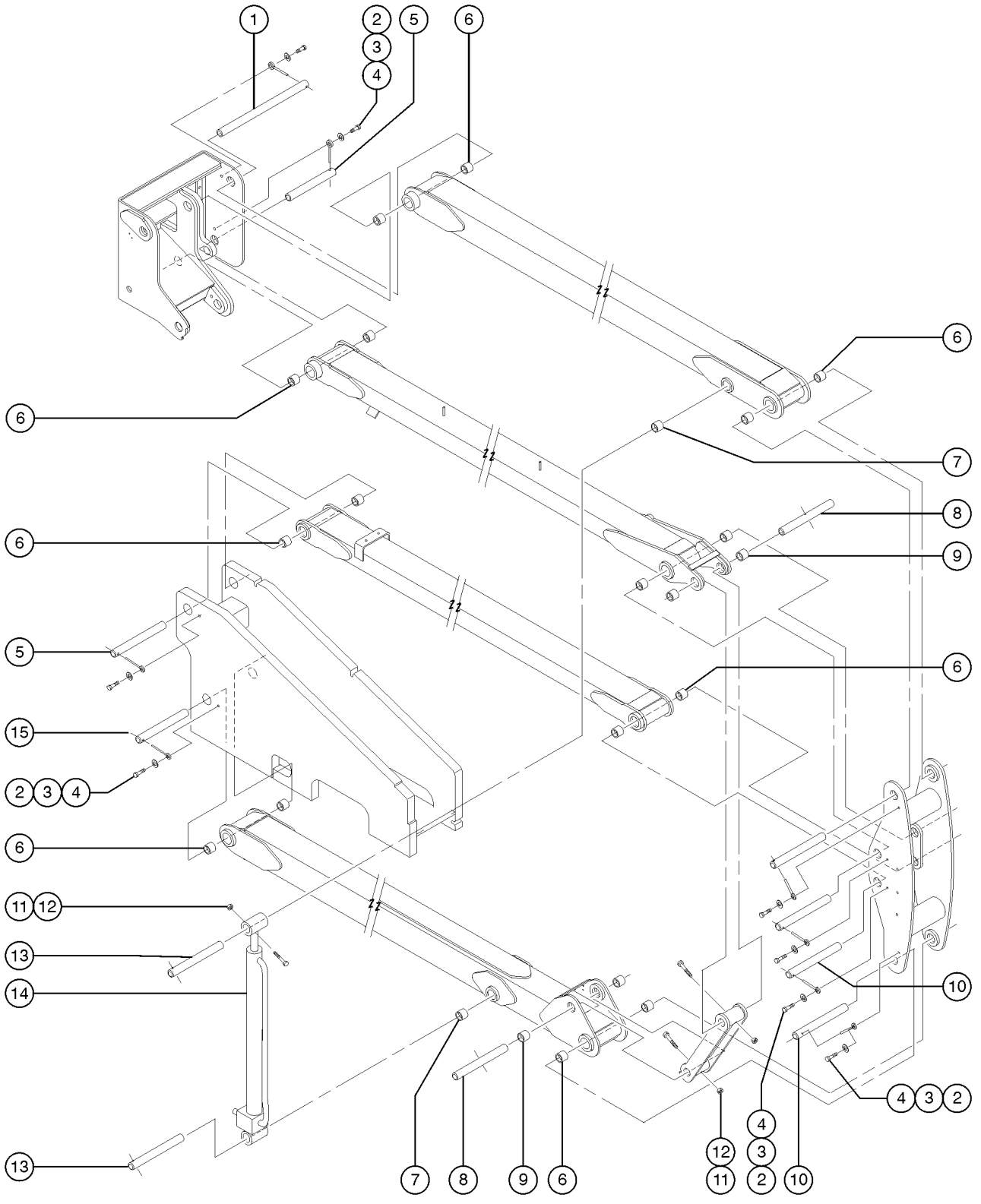
403.1 Engine Tray



403.1 Engine Tray

Item	Part No.	Description	Qty.	Item	Part No.	Description	Qty.
1	111699GT	FORMING,FUEL PRES.REG MNT.....1		34	54432GT	LANYARD,LYNCH PIN ASSY.....1	
2	13000GT	SCREW,HHC,5/16-18 X 1.25		35	27126GT	LATCH,DRAW,ADJUSTABLE.....1	
3	6638GT	WASHER,FLAT,USS,1/4"Y		36	6145GT	SCREW,HHC,1/4-20 X 1.5	
4	6782GT	NUT,NYLOCK,5/16-18		37	147067GT	BRACKET,BATTERY MOUNT.....1	
5	122246GT	REGULATOR,FUEL PRESS,TME27'07.....1		38	30143GT	BATTERY,12V,1000 CCA GRP 31.....1	
6	4266GT	SCREW,HHC,1/4-20 X 2		39	30144GT	BATTERY HOLD DOWN,GROUP 31.....1	
7	6091GT	NUT,NYLOCK,1/4-20		40	45708GT	HOOK,BATT HOLD DOWN,10".....2	
8	29883GT	SCREW,HHC,5/8-11 X 1.75 GRD.8.....2		41	6198GT	NUT,NYLOCK,1/2-13	
9	6036GT	WASHER,LOCK,.625 PLTD		42	6095GT	WASHER,FLAT,USS,1/2",Y	
10	13064GT	WASHER,FLAT,.625 HARDENED		43	22788GT	SCREW,HHC,1/2-13 X 1.75	
11	107805GT	EAR, ENGINE TRAY PIVOT.....1		44	74254GT	SCREW,HHC,1/4-20 X 4.5	
12	107803GT	PIN,1.00DIA X 15.56LG,CHAMFER.....1		45	219353GT	FORMING, FUEL LINE BRACKET.....1	
13	6019GT	SCREW,HHC,3/8-16 X 1.25 GRD 5		46	105214GT	CABLE TIE MOUNT, WINGED.....2	
14	6021GT	WASHER,LOCK,.375					
15	25284GT	ROD END,.375 X 2.25***1					
16	112572GT	BOLT,CARRIAGE,3/8-16X1.75					
17	5397GT	WASHER,FLAT,USS,5/16",Y					
18	4828GT	NUT,NYLOCK,3/8-16					
19	13918GT	SCREW,HHC,3/8-16 X 1.75,GRD.8.....2					
20	99346GT	CLIP, METAL MOUNTING.....1					
21	6090GT	SCREW,HHC,1/4-20 X .75					
22	6175GT	SCREW,HHC,3/8-16 X 1					
23	235654GT	FORMING,OIL FILTER BRACKET.....1					
24	60334GT	FILTER ASSY,HIGH PRESS SAE-12*.....1					
--	58222GT	O-RING,FILTER ASSY (60334)***					
--	58223GT	SEAL,FILTER ASSY (60334)***					
--	58380GT	FILTER INDICATOR-(60334)					
--	60857GT	FILTER,ELEMENT,BETA(5)=1000					
25		FILTER ASY,M PRESS,SAE8,WOIND* (77139).....1 <i>component no longer available</i>					
--	60857GT	FILTER,ELEMENT,BETA(5)=1000 <i>for 77139</i>					
25A	1267807GT	ASSEMBLY, MED. PRESS. FILTER					
--	1268229GT	ELEMENT-5 MIC, PAPER, W/BYPASS <i>for 1267807</i>					
26	235649GT	WELDMENT, ENGINE TRAY.....1					
27	6097GT	WASHER,FLAT,USS,3/8",Y					
28	50974GT	BUMPER,RUBBER,COVERS.....2					
29	45363GT	LATCH,FLEXIBLE.....1					
30	49816GT	SCREW,PHILLIPS,PHM,10-32 X .75					
31	6146GT	WASHER,FLAT,MS,#10,Y					
32	6178GT	NUT,NYLOCK,10-32					
33	215593GT	FORMING, ENGINE COVER LATCH.....1					

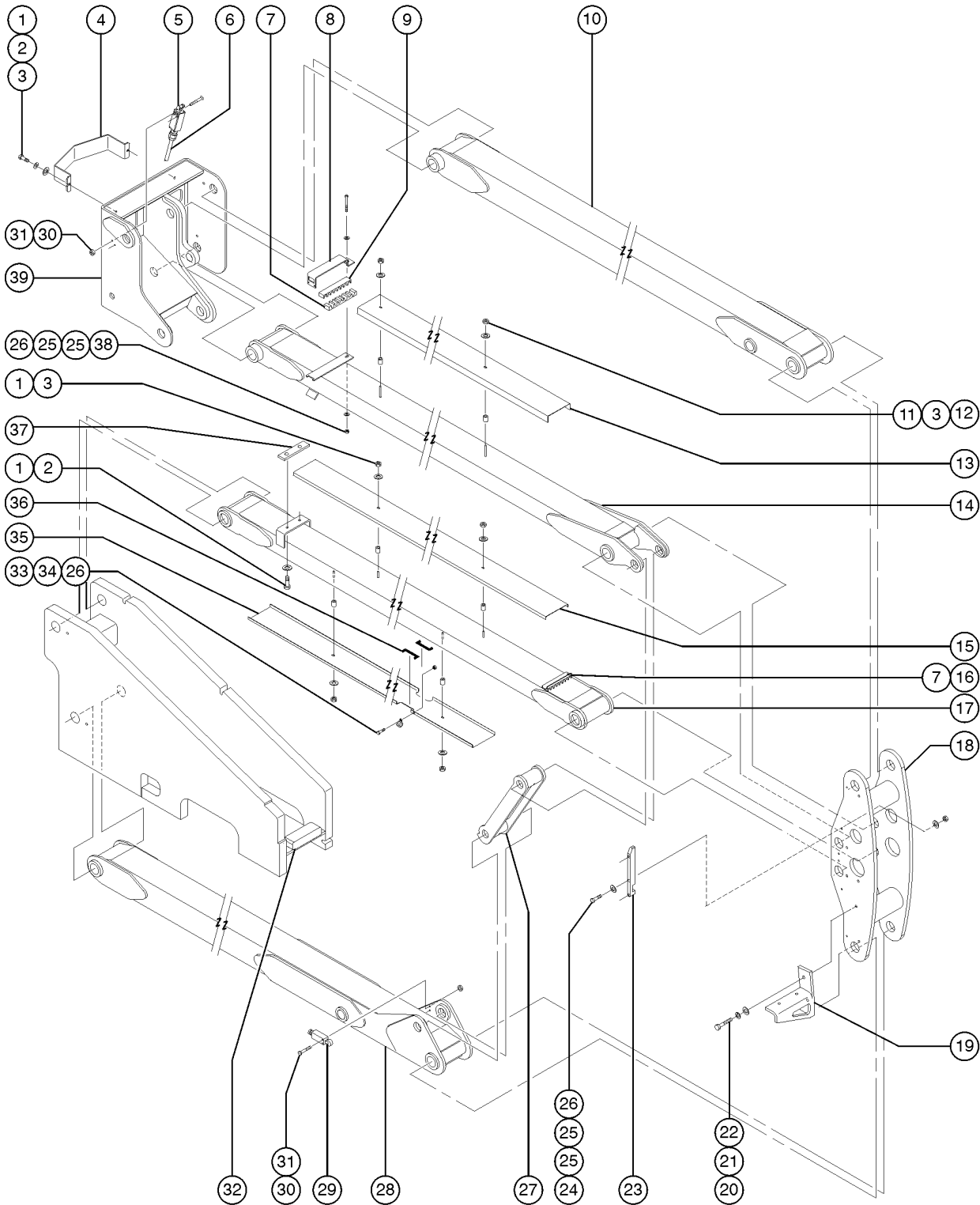
501.1 Boom Pins and Bearings



501.1 Boom Pins and Bearings

Item	Part No.	Description	Qty.
1	88676GT	PIN,2.00DIAX24.00LG,CHAMFER***.....1	
2	8177GT	SCREW,HHC,1/2-13 X 1.5	
3	6033GT	WASHER,LOCK,0.5"	
4	30418GT	ROD END,0.5 X 3.75***	
5	107859GT	PIN,2.00DIAX12.88LG,CHAMFER***.....2	
6	18720GT	BEARING,2.0IDX2.25ODX1.50L.....16	
7	45071GT	BEARING,1.5IDX1.75ODX1.5L.....4	
8	107727GT	PIN,1.50DIAX7.50LG,1HOLE***.....2	
9	54156GT	BEARING,FL,1.5IDX1.75ODX1.10LG.....4	
10	107588GT	PIN,2.00DIAX10.88LG,CHAMFER.....4	
11	4828GT	NUT,NYLOCK,3/8-16	
12	14033GT	SCREW,HHC,3/8-16 X 2.75	
13	50455GT	PIN,1.50DIAX13.88LG,2HOLE.....4	
14	88203GT	CYLINDER,ELEVATE,Z45/25***.....2	
--	77303GT	VALVE,CNTRBAL 3500PSI,ATM VEN for 88203	
--	77521GT	SEAL KIT,ELEVATE (88203) for 88203	
15	107590GT	PIN,2.00DIAX12.88LG,CHAMFER***.....1	

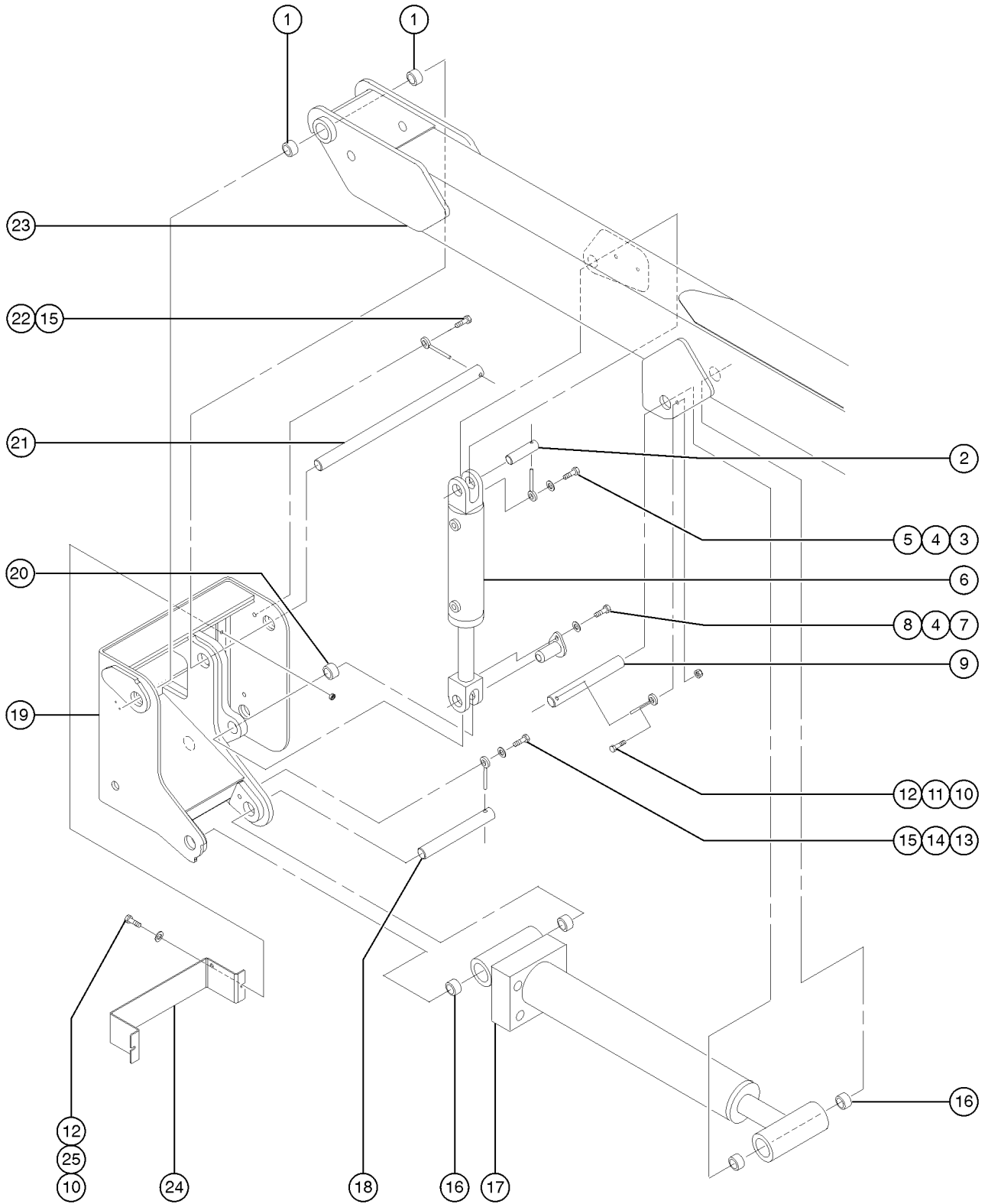
502.1 Boom Linkage



502.1 Boom Linkage

Item	Part No.	Description	Qty.	Item	Part No.	Description	Qty.
1	6175GT	SCREW,HHC,3/8-16 X 1		36	1697-400GT	TRIMLOCK,BLACK,3/16 X 4 INCHES.....2	
2	6021GT	WASHER,LOCK,.375		37	49772GT	WEAR PAD,6 X 1.5 X.50,W/INSERT	
3	6097GT	WASHER,FLAT,USS,3/8",Y		38	6888GT	SCREW,HHC,1/4-20 X 1	
4	237688GT	COVER, UPPER PIVOT.....1		39		Ref. Upper Pivot Assembly (refer to 503.1)	
5	88356 11163GT	SWITCH,LIMIT,W/RLLR ARM,NO/NC*...1					
--	106427GT	LS ROT.HEAD W/O LEVER (ZCE01)					
--	97128GT	ROLLER ARM,LIMIT SWITCH***					
6	43960GT	WIRE CABLE,16/4 CON.TPE JKT.....396-inches					
7	94529GT	CLAMPING BLOCK,HOSE***.....1					
8	94531PGT	BRACKET,HOSE CLAMP PAINTED***....1					
9	128998GT	CLAMPING BLOCK, CABLE, Z45/51.....1					
10	110305GT	UPPER SECONDARY ARM ASSY-Z45**.....1					
11	42941-75GT	HOSE,3/8",FUEL,30R7.....1					
12	7713GT	NUT, LP NYLOCK, 3/8-16					
13	88370PGT	HOSE COVER,UPPER ARM,PAINTED					
14	110306GT	UPPER LEVEL ARM ASSY,SERV***.....1					
15	50517-SGT	HOSE COVER,LOWER LEVEL,TOP,PAI.....1					
16	70685PGT	FORMING, HOSE CLAMP, PAINTED.....1					
17	110307GT	LOWER LEVEL ARM ASSY***.....1					
18	106972GT	WELDMENT,MID PIVOT,MACHINED*** (<i>decal not included, refer to section 100</i>)					
19	50952-SGT	WELDMENT,BOOM REST****.....1					
20	8177GT	SCREW,HHC,1/2-13 X 1.5					
21	6033GT	WASHER,LOCK,0.5"					
22	6095GT	WASHER,FLAT,USS,1/2",Y					
23	107881GT	WEAR PAD,MID PIVOT***.....1					
24	6637GT	SCREW,HHC,1/4-20 X 1.75					
25	6638GT	WASHER,FLAT,USS,1/4"Y					
26	6091GT	NUT,NYLOCK,1/4-20					
27	50479-SGT	CONNECTING LINK, Z45/25.....1					
28	110308GT	LOWER SECONDARY ARM ASSY***.....1 <i>bearings included</i>					
29	88356 11205GT	SWITCH,LIMIT,W/RLLR ARM NO/NC.....1					
--	89756GT	NECK/HEAD-LIMIT SWITCH (88356)					
--	97128GT	ROLLER ARM,LIMIT SWITCH***					
30	49775GT	SCREW,PHILLIPS,PHM,10-32X 1.75					
31	6178GT	NUT,NYLOCK,10-32					
32	56849GT	PAD,REST,1"THICK,W/STUDS*.....1					
33	8914GT	SCREW,HHC,1/4-20 X .625					
34	6833GT	CLAMP,0.50,#8 X 1/4,RUB CUSH					
35	50548PGT	HOSE COVER,LOWER LEVEL,BOT,PAI.....1					

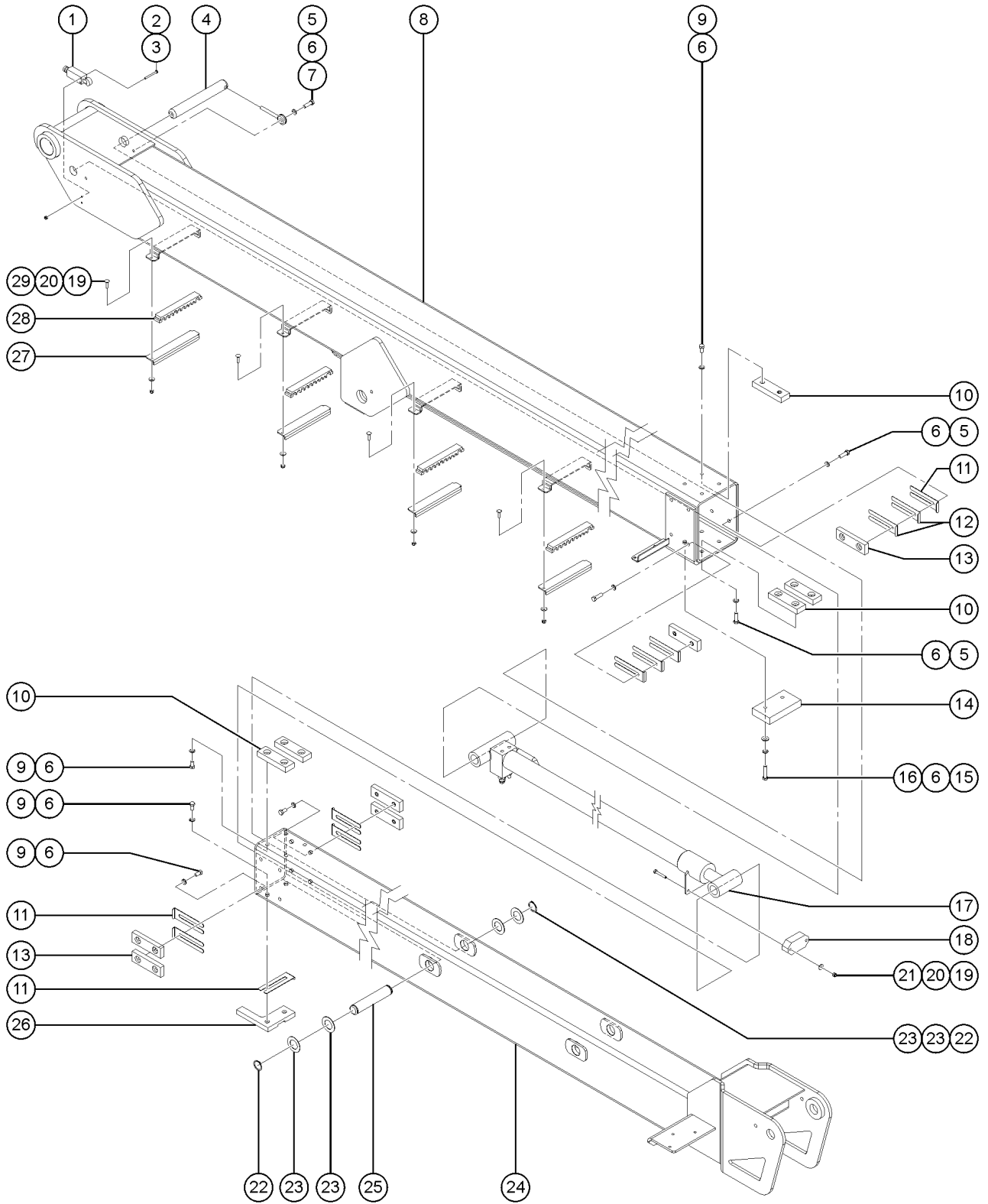
503.1 Upper Pivot Components



503.1 Upper Pivot Components

Item	Part No.	Description	Qty.
1	18720GT	BEARING,2.0IDX2.25ODX1.50L.....	2
2	34276GT	PIN,1.25DIA X 3.37LG,1HOLE.....	1
3	6175GT	SCREW,HHC,3/8-16 X 1	
4	6021GT	WASHER,LOCK,.375	
5	25284GT	ROD END,.375 X 2.25***.....	1
6	77362GT	CYLINDER,MASTER,Z45***.....	1
--	77364GT	SEAL KIT,MASTER & SLAVE CYL for 77362	
7	8255GT	SCREW,HHC,3/8-16 X .75	
8	70671GT	PIN,1.25 DIA X 3.19 LG, PLATE.....	1
9	50542GT	PIN,1.75DIA X 9.25LG,1HOLE.....	1
10	8516GT	SCREW,HHC,3/8-16 X 1.50,GR5	
11	45226GT	ROD END,.375 X 3.69.....	1
12	4828GT	NUT,NYLOCK,3/8-16	
13	8177GT	SCREW,HHC,1/2-13 X 1.5	
14	6033GT	WASHER,LOCK,0.5"	
15	30418GT	ROD END,0.5 X 3.75***.....	2
16	30221GT	BEARING,1.75IDX2.00ODX1.50LG.....	4
17	101775GT	CYLINDER,PRIMARY BOOM LIFT..... <i>(includes item 16)</i>	1
--	101212GT	SEAL KIT (101775)*** for 101775	
--	77014GT	VALVE,COUNTERBALANCE,3800 PSI	
18	70534GT	PIN,1.75DIA X 11.88LG,CHAMFER.....	1
19	110309GT	UPPER PIVOT W/BEARING-Z45/25**.....	1
--	55753GT	BUMPER, PLASTIC, 1.25 O.D.	
20	30370GT	BEARING,1.25IDX1.5ODX1.00L.....	1
21	88676GT	PIN,2.00DIA X 24.00LG,CHAMFER***.....	1
22	10597GT	SCREW,HHC,1/2-13 X 1.25 GR5	
23		Ref. Primary and Extension Booms <i>(refer to 504.1)</i>	
24	237688GT	COVER, UPPER PIVOT.....	1
25	5397GT	WASHER,FLAT,USS,5/16",Y	

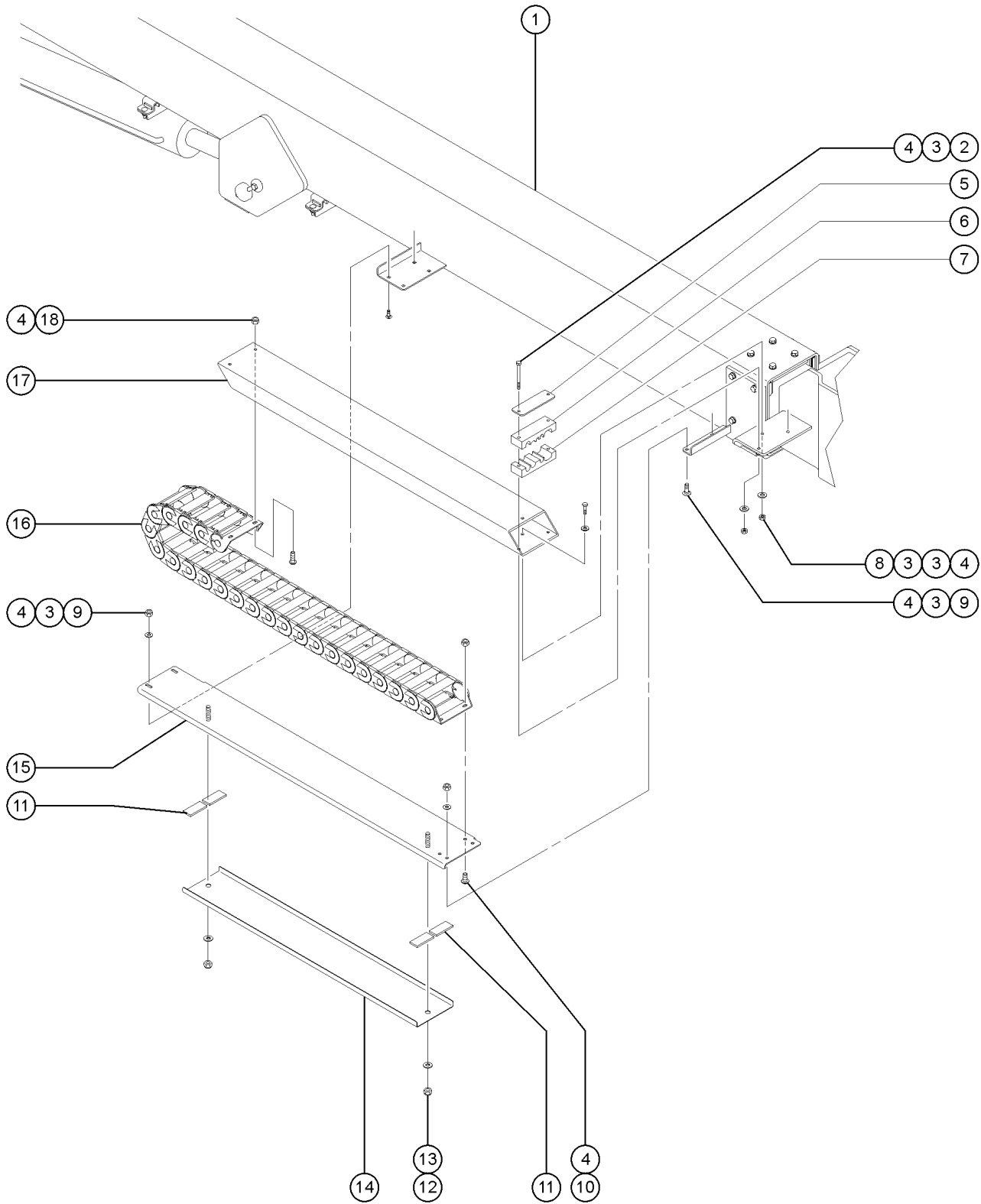
504.1 Primary and Extension Booms



504.1 Primary and Extension Booms

Item	Part No.	Description	Qty.
1	88356 11205GT	SWITCH,LIMIT,W/RLLR ARM NO/NC.....1	
--	19491GT	CONTACTOR,LIMIT SWITCH	
--	76450GT	CONN.SQZ,PG 11,.23-.30,W/ORING	
--	97128GT	ROLLER ARM,LIMIT SWITCH***	
2	54239GT	SCREW,PHILLIPS,PHM,10-32 X 2.0.....2	
3	6178GT	NUT,NYLOCK,10-32.....2	
4	50584GT	PIN,1.25DIAX9.38LG,THREADED.....1	
5	6019GT	SCREW,HHC,3/8-16 X 1.25 GRD 5	
6	6021GT	WASHER,LOCK,.375	
7	45226GT	ROD END,.375 X 3.69.....1	
8	128590GT	WELDMENT,PRIMARY BOOM,Z51 JIB.....1	
9	8255GT	SCREW,HHC,3/8-16 X .75	
10	34125GT	WEAR PAD,5 X 1.5 X .75 W/NUTS.....6	
11	29080GT	SHIM,WEAR PAD,5X 1.5 16GA.....9	
12	42502GT	SHIM,SIDE PAD 22GA.....8	
13	30138GT	WEAR PAD,5 X 1.5 X .625 W/NUTS.....8	
14	54157GT	WEAR PAD,PRIMARY BOOM,JIB.....1	
15	13918GT	SCREW,HHC,3/8-16 X 1.75,GRD.8.....2	
16	5397GT	WASHER,FLAT,USS,5/16",Y	
17	101523GT	CYLINDER,PRIMARY EXTENSION.....1	
--	101213GT	SEAL KIT (101523)*** for 101523	
--	54063GT	VALVE,CB.CBBC-LHN@1000*** for 101523	
--	77410GT	VALVE,COUNTERBALNCE,1500 PSI** for 101523	
18	50698GT	WEAR PAD,EXTENSION CYLINDER.....1	
19	6091GT	NUT,NYLOCK,1/4-20	
20	6638GT	WASHER,FLAT,USS,1/4"Y	
21	6637GT	SCREW,HHC,1/4-20 X 1.75	
22	824164GT	SNAP RING,EXTERNAL,1.25,ZAG.....2	
23	30255GT	WASHER,SHIM,1.27 X 2.13 X .062.....4	
24	128592GT	WELDMENT,EXT. BOOM,Z51 JIB.....1	
25	50546GT	PIN,1.25DIAX6.36LG,2RING.....1	
26	50552GT	WEAR PAD,EXTENSION BOOM.....1	
27	128995GT	FORMING, HOSE CLAMP RETAINER...4	
28	128601GT	CLAMP, PRI, HOSE/CABLE, Z45/51.....4	
29	79456GT	BOLT,CARRIAGE,1/4-20 X 1.00,G2.....4	

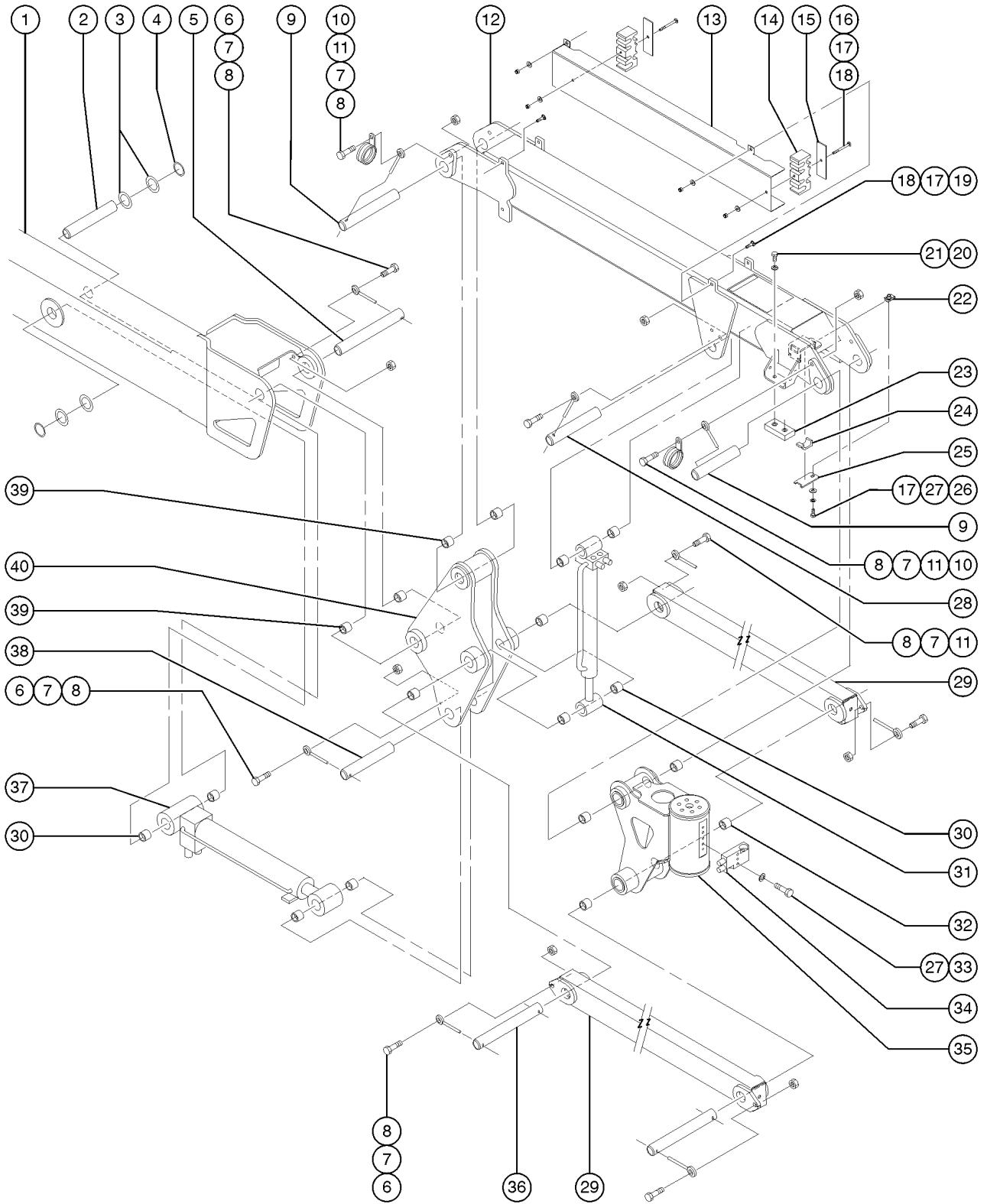
505.1 Cable Track Installation



505.1 Cable Track Installation

Item	Part No.	Description	Qty.
1		Ref. Primary and Extension Booms <i>(refer to 504.1)</i>	
2	36294GT	SCREW,HHC,1/4-20 X 2.75	
3	6638GT	WASHER,FLAT,USS,1/4"Y	
4	6091GT	NUT,NYLOCK,1/4-20	
5	128862GT	BACKING PLATE, PULLTUBE.....1	
6	128310GT	CLAMP, JIB HOSE/CABLE, Z45/51.....1	
7	128311GT	CLAMP, JIB HOSE/CABLE, Z45/51.....1	
8	6888GT	SCREW,HHC,1/4-20 X 1	
9	6878GT	BOLT,CARRIAGE,1/4-20 X .75,G2	
10	14297GT	SCREW,BHHS,1/4-20 X .75	
11	54271GT	SPACER,HOSE CLAMP,RUBBER.....4	
12	4828GT	NUT,NYLOCK,3/8-16	
13	5397GT	WASHER,FLAT,USS,5/16",Y	
14	128596GT	COVER, CABLETRACK TRAY, Z51.....1	
15	139779GT	WELDMENT, CABLETRACK TRAY.....1	
16	139702GT	CABLE TRACK, NP400, 23 LINK.....1	
--	111051GT	REPAIR LINK,7 LINKS NP400-7*** <i>for 139702</i>	
--	111052GT	REPAIR LINK,NP400-7*** <i>for 139702</i>	
--	111053GT	REPAIR END BRKT SET,NP400-7*** <i>for 139702</i>	
17	128597GT	TUBE, CABLETRACK ARM, Z51.....1	
18	14297GT	SCREW,BHHS,1/4-20 X .75	

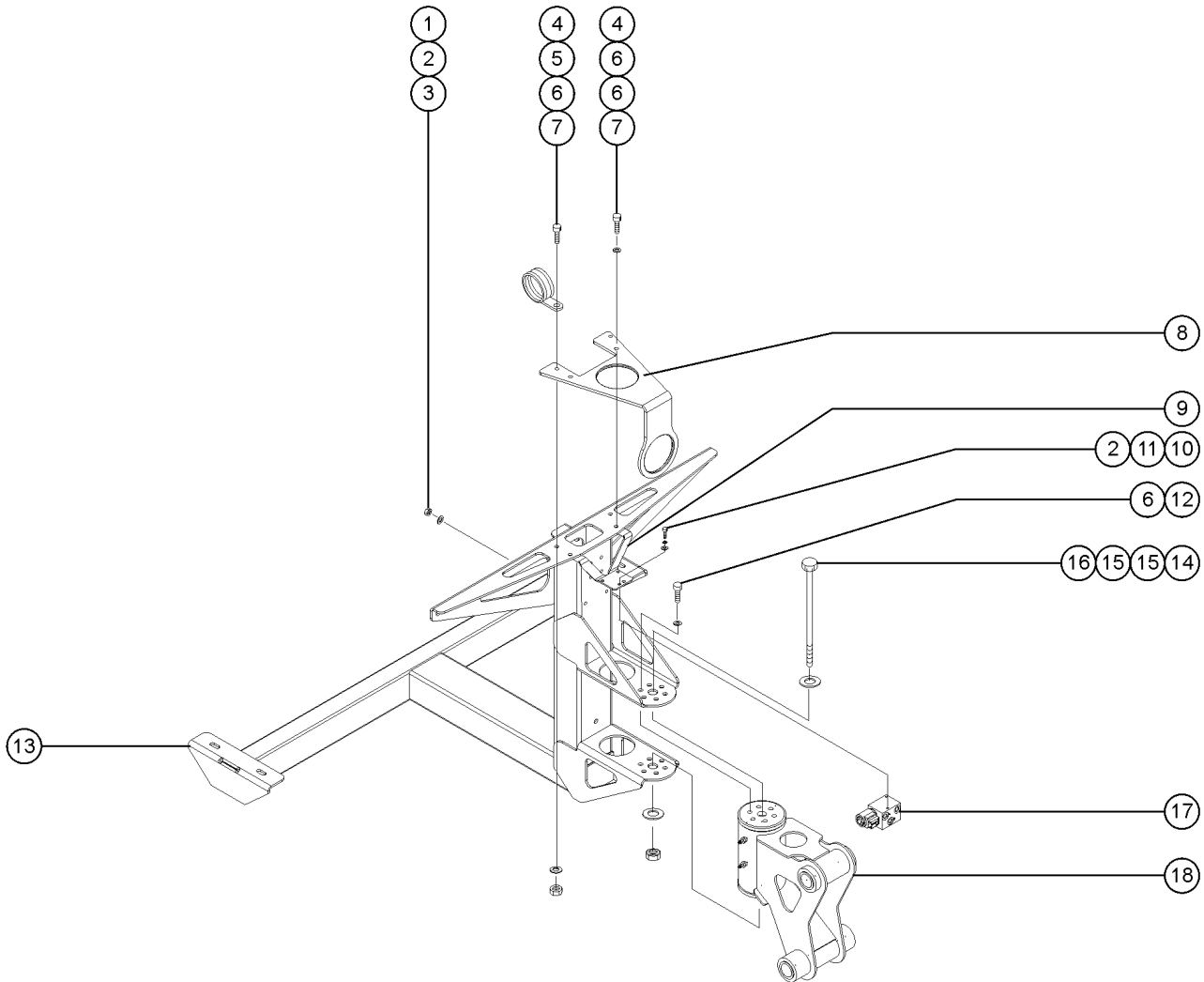
506.1 Jib Boom and Platform Leveling



506.1 Jib Boom and Platform Leveling

Item	Part No.	Description	Qty.	Item	Part No.	Description	Qty.
1		Ref. Primary and Extension Booms <i>(refer to 504.1)</i>		37	77363GT	CYLINDER,SLAVE,Z45***.....1	1
2	50546GT	PIN,1.25DIAX6.36LG,2RING.....1	1	--	54065GT	VALVE,COUNTERBALANCE,3500***.....2 <i>for 77363</i>	2
3	30255GT	WASHER,SHIM,1.27 X 2.13 X .062		--	77364GT	SEAL KIT,MASTER & SLAVE CYL <i>for 77363</i>	
4	824164GT	SNAP RING,EXTERNAL,1.25,ZAG		38	T108075GT	PIN,1.25DIAX5.25LG,1HOLE.....1	1
5	50543GT	PIN,1.25DIAX8.88LG,1HOLE.....1	1	39	35675GT	BEARING,FL,1.25IDX1.5ODX1.25L.....6	6
6	8516GT	SCREW,HHC,3/8-16 X 1.50,GR5		40	50466GT	WELDMENT,JIB BELL CRANK,MACH....1	1
7	45226GT	ROD END,.375 X 3.69					
8	4828GT	NUT,NYLOCK,3/8-16					
9	T107883GT	PIN,1.25DIAX7.88LG,1HOLE.....2	2				
10	5224GT	SCREW,HHC,3/8-16 X 2					
11	77181GT	CLAMP,1.63,#26 X 3/8,RUB CUSH.....2	2				
12	128450GT	MACHINING, JIB BOOM WELDMENT**.....1	1				
13	128454PGT	COVER, JIB HOSES/CABLES.....1	1				
14	128510GT	CLAMP,JIB HOSE/CABLE,Z45/51.....2	2				
15	128483GT	BACKING PLATE, HOSE BLOCK, JIB...2	2				
16	128724GT	BOLT,CARRIAGE,1/4-20 X 2.75,G2					
17	6638GT	WASHER,FLAT,USS,1/4"Y					
18	6091GT	NUT,NYLOCK,1/4-20					
19	79456GT	BOLT,CARRIAGE,1/4-20 X 1.00,G2					
20	8255GT	SCREW,HHC,3/8-16 X .75					
21	6021GT	WASHER,LOCK,.375					
22	56912GT	SPRING CLIP,1/4-20,.025-.15X.5					
23	81640GT	WEAR PAD,3 X 1.5 X.625 W/NUTS.....1	1				
24	119542GT	CLAMP,TWO HOSE.....1	1				
25	119536GT	BRACKET,HOSE CLAMP***.....1	1				
26	6888GT	SCREW,HHC,1/4-20 X 1					
27	6356GT	WASHER,LOCK,.25					
28	T107884GT	PIN,1.25DIAX7.00LG,1HOLE.....1	1				
29	61306-SGT	COMPR.LINK,MACHINED,GND CONTR*.....2	2				
30	25683GT	BEARING,POLYGON,20DU12.....4	4				
31	54994GT	CYLINDER,JIB,Z45,#4 PORTS***.....1	1				
--	50480GT	VALVE,COUNTERBALANCE,3800 PSI*.....2 <i>for 54994</i>	2				
--	65789GT	SEAL KIT (54994) <i>for 54994</i>					
32	30222GT	BEARING,FL,1.25IDX1.41ODX1.50L					
33	6145GT	SCREW,HHC,1/4-20 X 1.5.....4	4				
34		Ref. Rotator Manifold <i>(refer to 703.1)</i>					
35		Ref. Platform Rotator.....1 <i>(refer to 508.1)</i>	1				
36	81175GT	PIN,1.25DIAX14.45LG,2HOLE.....2	2				

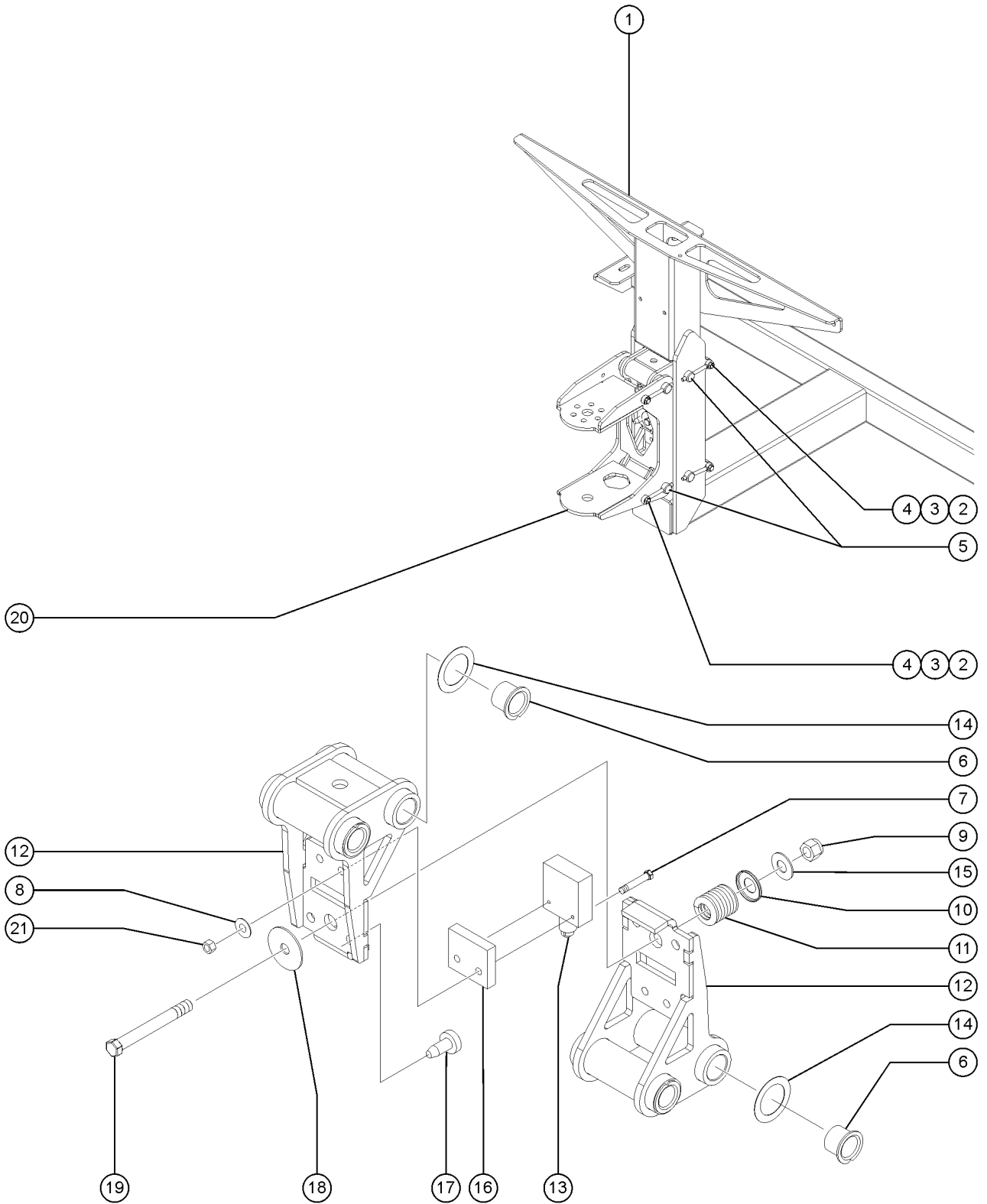
507.1 Platform Rotator and Support



507.1 Platform Rotator and Support

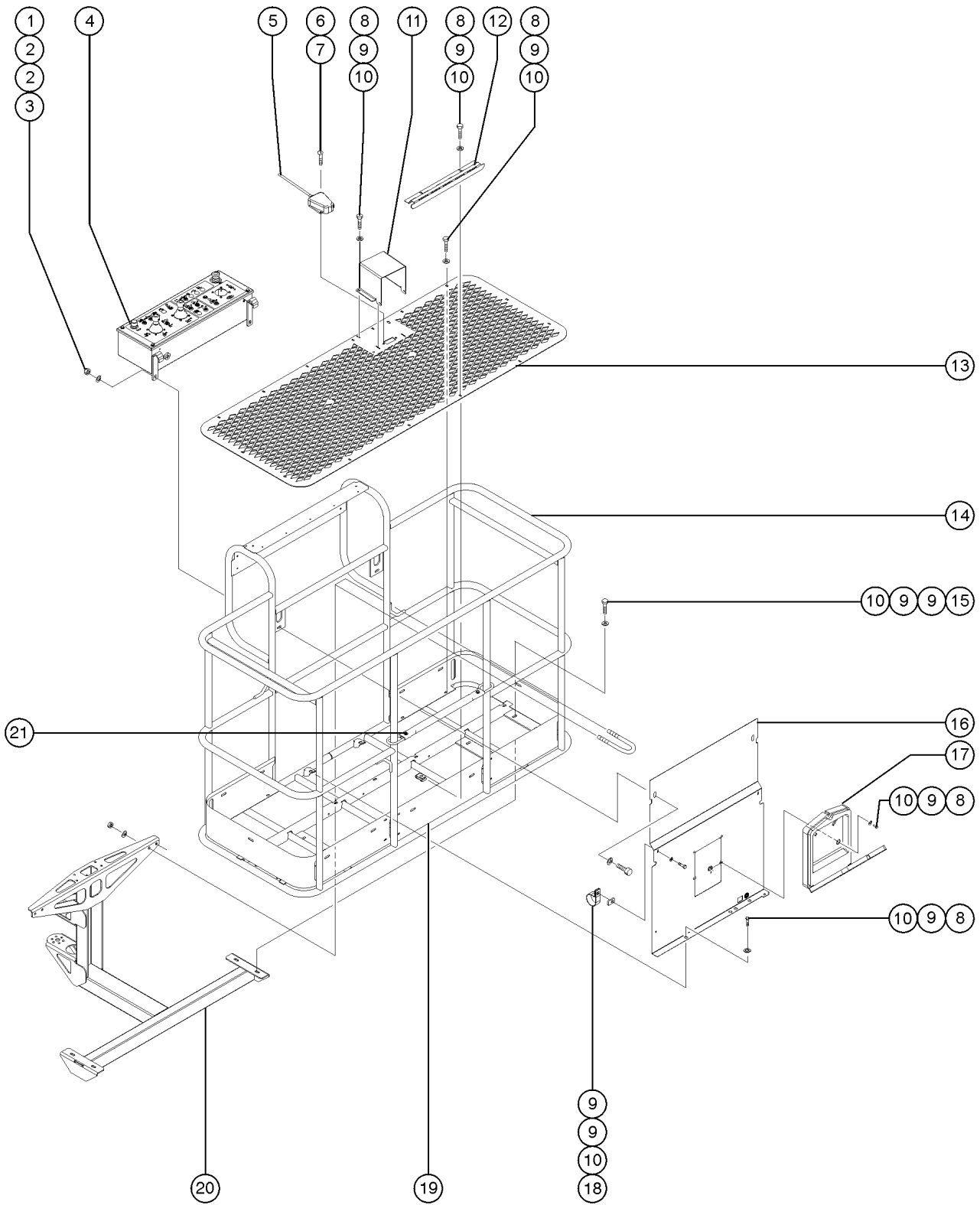
Item	Part No.	Description	Qty.
1	6091GT	NUT,NYLOCK,1/4-20	
2	6638GT	WASHER,FLAT,USS,1/4"Y	
3	36294GT	SCREW,HHC,1/4-20 X 2.75	
4	13000GT	SCREW,HHC,5/16-18 X 1.25.....	4
5	77181GT	CLAMP,1.63,#26 X 3/8,RUB CUSH.....	1
6	5397GT	WASHER,FLAT,USS,5/16",Y	
7	6782GT	NUT,NYLOCK,5/16-18	
8	106163GT	FORMING,CABLE GUIDE..... <i>Grommet not included</i>	1
--	55067GT	GROMMET,RUBBER 3 X .19 X 3.5..... <i>order seperately</i>	2
9	110671GT	PLATE,JIB,ROTATE MANIFOLD.....	1
10	6090GT	SCREW,HHC,1/4-20 X .75	
11	6356GT	WASHER,LOCK,.25	
12	94195GT	SCREW,HHC,3/8-16 X .75,GR 8.....	6
13	54510-SGT	WELDMENT,PLATFORM SUPPORT..... <i>for models with the Platform Overload option refer to 508.1</i>	1
14	56925GT	SCREW,HHC,3/4-10 X 9.5 GR 8 YE.....	1
15	33278GT	WASHER,FLAT,.75 HARDENED	
16	77051GT	NUT,NYLOCK,3/4-10,GRD.8.....	1
17		Ref. Jib Manifold <i>(refer to 703.1)</i>	
18	233715GT	ROTATOR,PLAT,Z45	
--	233745GT	SEAL AND BRG KIT,4.5K ROTATOR <i>for 233715</i>	
--	30222GT	BEARING,FL,1.25IDX1.41ODX1.50L <i>for 233715</i>	
--	88516GT	SCREW,BLEEDER,M5X0.8 <i>for 233715</i>	

508.1 Platform Overload



Item	Part No.	Description	Qty.
--	147513GT	KIT,LOAD SENSE MECH,Z45 JIB	
1	61998GT	WELDMENT,PLATFORM SUPPORT.....1	
2	6888GT	SCREW,HHC,1/4-20 X 1	
3	45748GT	ROD END,.250 X 2.75 LG	
4	6091GT	NUT,NYLOCK,1/4-20	
5	61726GT	PIN,0.75DIA X 5.75LG,CHAMFER.....4	
--	94643GT	ZERK,GREASE,5/16-24,STRAIT	
6	25685GT	BEARING,GARLOCK,12FDU12.....2	
7	73634GT	SCREW,PHIL,PHM,10-24X1.5 ZINC	
8	6146GT	WASHER,FLAT,MS,#10,Y	
9	4828GT	NUT,NYLOCK,3/8-16	
10	61975GT	RETAINER,SPRING,1.21 X .375.....1	
11	61974GT	SPRING,COMP,1" OD,232 LB/IN.....1	
12	101512GT	LOAD SUPPORT WITH BEARINGS.....2 <i>includes item 6</i>	
13	121848GT	ASSY,LS,LOAD SENSE,38.5 IN	
14	110789GT	WASHER,SHIM .0151 THK.	
15	6097GT	WASHER,FLAT,USS,3/8",Y	
16	61972GT	MOUNT,SWITCH.....1	
17	34619GT	BUMPER,RUBBER***1	
18	80605GT	WASHER,FLAT,3/8X1.5X.06	
19	21604GT	SCREW,HHC,3/8-16 X 3.25	
20	61987GT	WELDMENT,ROTATOR MOUNT.....1	
21	5365GT	NUT,NYLOCK,10-24	

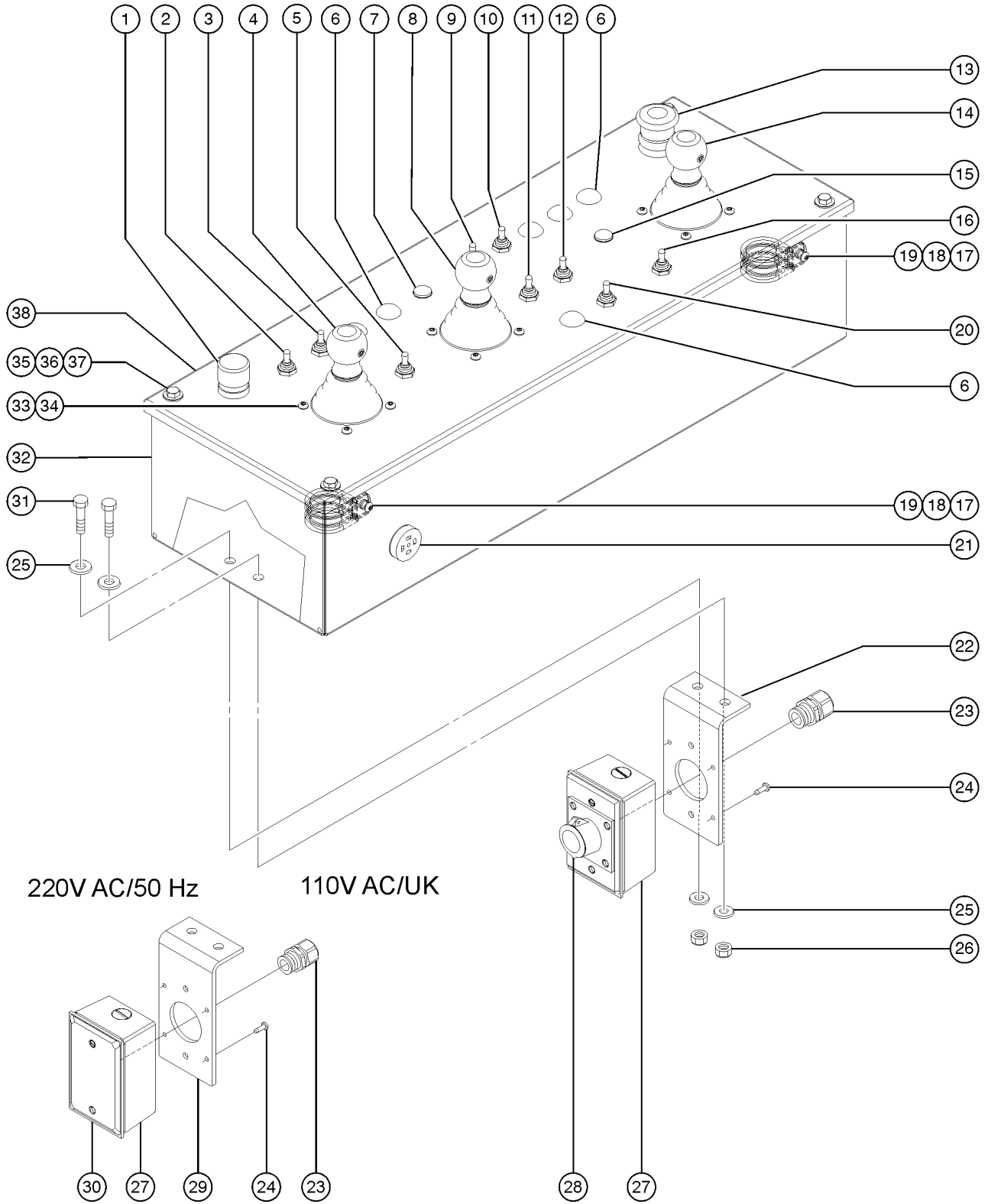
601.1 Platform Components



601.1 Platform Components

Item	Part No.	Description	Qty.	Item	Part No.	Description	Qty.
--	1272303	ASSY,6FT PLAT DUAL LG, BLANK W/SIDE SWING GATE <i>(warning tape and decals not included, refer to section 100)</i>		20		Ref. Platform Support <i>(refer to 507.1 or 508.1)</i>	
1	4828GT	NUT,NYLOCK,3/8-16		21	102992GT	SLIDING MIDRAIL KIT,PTD.....1 <i>(includes fasteners)</i>	
2	5397GT	WASHER,FLAT,USS,5/16",Y					
3	6019GT	SCREW,HHC,3/8-16 X 1.25 GRD 5					
4		Ref. Platform Controls <i>(refer to 602.1 and 603.1)</i>					
5	227617GT	ASSEMBLY,FOOT SWITCH.....1					
--	119058GT	CONN PLUG 4 WAY ENDCAP DT					
--	1257483GT	KIT, FASTENER, FOOTSWITCH <i>(includes 1 each 1257248 and 1 each 1257249)</i>					
--	227564GT	FOOT SWITCH,20A IP65					
--	43960 6950GT	WIRE CABLE,16GA/4 CON.TPE JKT*					
--	73739GT	BOOT,PLUG 4 WAY					
6	73587GT	SCREW,PHIL,10-24 X .75					
7	73575GT	SPRING CLIP,10-24,ZINC					
8	6888GT	SCREW,HHC,1/4-20 X 1					
9	6638GT	WASHER,FLAT,USS,1/4"Y					
10	56912GT	SPRING CLIP,1/4-20,.025-.15X.5					
11	147121GT	COVER, FOOT SWITCH, LARGE.....1					
12	73610P-SGT	STEP PLATFORM ENTRY PAINTED.....1					
13A	73477PGT	FLOORING, 6'FT PLATFORM.....1 <i>(6ft single entry; sold separately)</i>					
13B	1267746GT	FLOORING, 72X30 PLATFORM.....1 <i>(6ft with swing gate; sold seperately)</i>					
14A	73900GT	WELDMNT,6 FT PLATFORM.....1 <i>(single entry; decals not included, refer to section one)</i>					
14B	1274858GT	ASSY,6' PLAT WELDMENT W/SIDE GATE.....1 <i>(side gate and railing only; does not include flooring or decals)</i>					
--	1272307GT	ASSY, SIDE SWING GATE					
15	6090GT	SCREW,HHC,1/4-20 X .75					
16A	73574-SGT	DECAL PLATE ASSEMBLY.....1 <i>(decals not included, refer to section one)</i>					
16B	228779GT	ASSY, DECAL PLATE, Z45/51 IC <i>(Australia, from Z513010B-655)</i>					
17A	44743GT	MANUAL BOX W/DECALS***1 <i>USA/Canada/Australia</i>					
17B	24514GT	BOX,INSTRUCTION STORAGE <i>Europe/Asia/South America (decal required; refer to Section100)</i>					
18	56424GT	CLAMP,1.25X.5 RUBBER-CUSHION.....2					
19	54817P-SGT	TOEBOARD,PLTFM ENTRY EUR,PNTD*1					

602.1 Platform Control Box, View 1



602.1 Platform Control Box, View 1

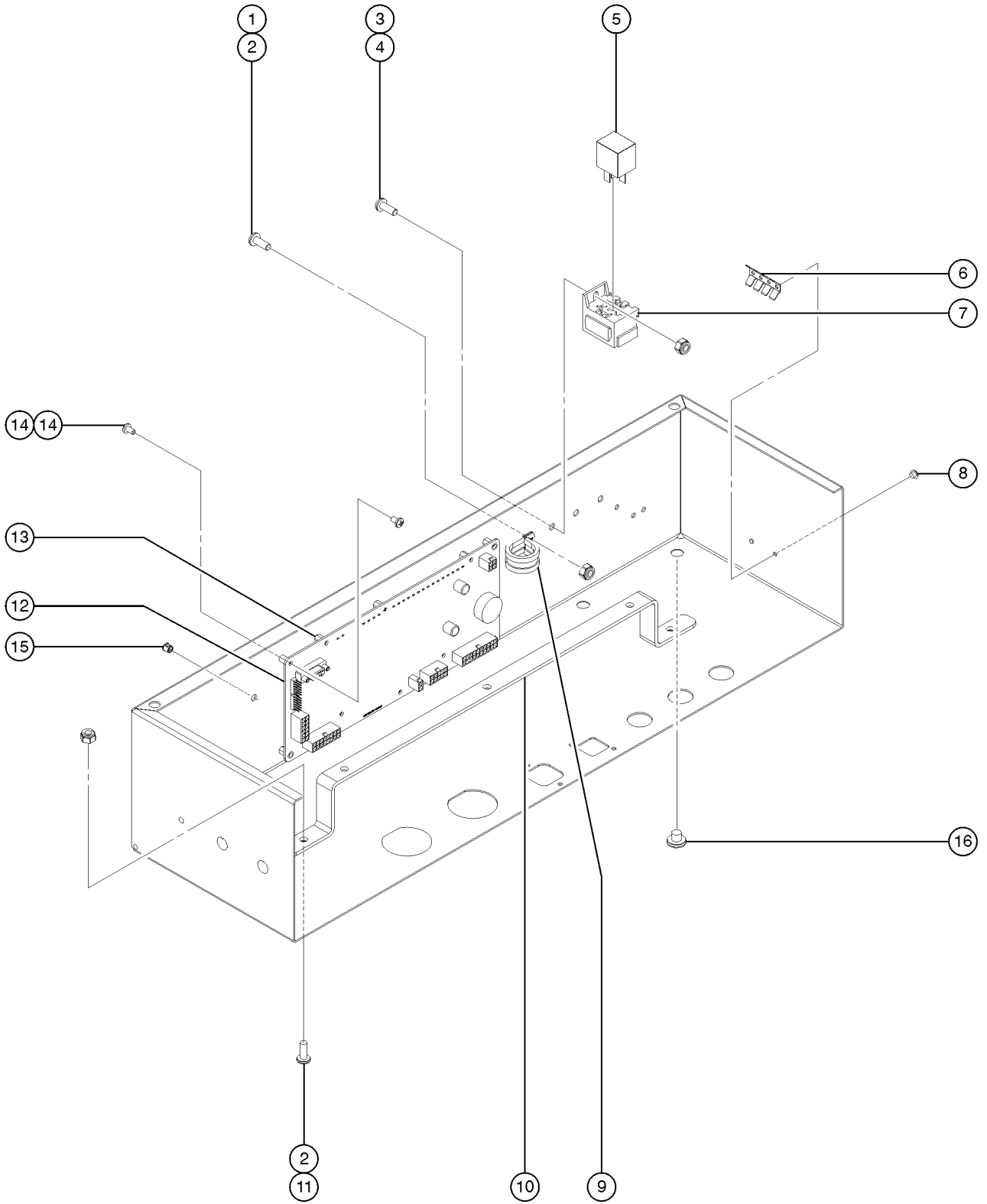
Item	Part No.	Description	Qty.	Item	Part No.	Description	Qty.
--	218446GT	ASSEMBLY,PBOX,Z45 DIESEL.....1 <i>(complete) (includes Assy 218445 and Gasket p/n 81488)</i>	1	12	128203GT	SWITCH TOGGLE ASSY SPDT 2P MOM.....1 <i>Glow Plug ; includes boot and hardware (refer to item 3 for lower-level components)</i>	1
--	218445GT	ASSEMBLY,PLATFORM CONTROL BOX.....1 <i>for 218446</i>	1	13	66812GT	BUTTON,PUSH,RED MUSHROOM HEAD.....1	1
--	81488GT	GASKET,PLATFORM CONTROL BOX....1 <i>for 218446</i>	1	--	146478GT	BOOT(BELLOWS),E-STOP,BLACK	
1	66813GT	BUTTON,PUSH,BLACK W/SEAL***.....1	1	--	66818GT	CONTACT,NC	
--	66815GT	BASE, W/1 N.O. CONTACTS*** <i>includes 1 N.O. contact</i>		--	94506GT	BASE,W/3 NC CONTACTS	
--	66816GT	CONTACT,N.O.		14		Ref. Joystick Controller, Multi-Axis (standard) <i>(refer to 604.1)</i>	
2	128204GT	SWITCH TOGGLE ASSY SPDT 2P MNT.....1 <i>Platform Level; includes boot and hardware</i>	1	15	824879GT	LIGHT,LED IND. RED 12V NH.....1	1
--	128578GT	SCREW T-SWITCH PH/PH 6-32X1/4		16	128204GT	SWITCH TOGGLE ASSY SPDT 2P MNT.....1 <i>Drive Enable; includes boot and hardware (refer to item 3 for lower-level components)</i>	1
--	128584GT	SWITCH TOGGLE SPDT 2P MNT SHDR		17	54365GT	SCREW,PHIL,PHM,10-32 X .5,SSTL	
--	27246GT	BOOT,TOGGLE SWITCH,SHORT*		18	13268GT	CLAMP,0.75,#12 X 1/4,RUB CUSH.....3	3
3	128202GT	SWITCH TOGGLE ASSY DPDT 3P MOM.....1 <i>Platform Rotate; includes boot and hardware</i>	1	19	6178GT	NUT,NYLOCK,10-32	
--	128578GT	SCREW T-SWITCH PH/PH 6-32X1/4		20	128204GT	SWITCH TOGGLE ASSY SPDT 2P MNT.....1 <i>Engine idle (rpm) select switch; includes boot and hardware (refer to item 3 for lower-level components)</i>	1
--	128584GT	SWITCH TOGGLE SPDT 2P MNT SHDR		21	45383GT	ALARM,WARBLE TONE 5-30 VDC***.....1 <i>Does not include 72326 nut</i>	1
--	27246GT	BOOT,TOGGLE SWITCH,SHORT*		--	72326GT	NUT - PLASTIC,RING FOR ALARMS <i>must order seperately</i>	
4		Ref. Joystick Controller, Multi-Axis (standard) <i>(refer to 604.1)</i>		22	81570GT	BRACKET,POWER TO PLAT, UK.....1	1
5	128204GT	SWITCH TOGGLE ASSY SPDT 2P MNT.....1 <i>Primary Boom Ext/Ret; includes boot and hardware (refer to item 2 for lower-level components)</i>	1	23	7056GT	CONN,SQUEEZE,1/2NPT .38-.50,SM....2	2
6	229567GT	PLUG, SANTOPRENE .5 BLACK DOME.....5	5	--	6935GT	LOCKNUT,ELEC,1/2"	
7	824878GT	LIGHT,LED IND. RED 24V NH.....1	1	24	57075GT	SCREW,PHIL,8-32X.50,SELF TAP	
8		Ref. Joystick Controller, Single Axis <i>(refer to 604.1)</i>		--	35461GT	WASHER,FLAT,MS,#8,Y	
9	128204GT	SWITCH TOGGLE ASSY SPDT 2P MNT.....1 <i>Emergency Lowering; includes boot and hardware (refer to item 3 for lower-level components)</i>	1	25	5397GT	WASHER,FLAT,USS,5/16",Y	
10	128204GT	SWITCH TOGGLE ASSY SPDT 2P MNT.....1 <i>Drive Speed; includes boot and hardware (refer to item 3 for lower-level components)</i>	1	26	4828GT	NUT,NYLOCK,3/8-16	
11	128204GT	SWITCH TOGGLE ASSY SPDT 2P MNT.....1 <i>Engine Start; includes boot and hardware (refer to item 3 for lower-level components)</i>	1	27	10775GT	T-BOX,2.75 X 4.5 X 2.0.....1	1
				28	T112563GT	SVC KIT,UK RECEPT.REPLACEMENT.....1 <i>Europe</i>	1
				--	33629GT	PLATE,UK POWER TO PLATFORM	
				--	33724GT	KIT,GASKET,UK POWER TO PLAT.	
				--	57075GT	SCREW,PHIL,8-32X.50,SELF TAP.....4	4
				--	63375GT	SCREW,FHM,6-32 X .75.....2	2
				--	74052GT	GASKET,COVER,GFCI,WEATHERPROOF	
				29	81096GT	BRACKET,POWER TO PLAT, DOM.	
				30	10777GT	COVER,BLANK.....1	1
				--	81458GT	GASKET, UK POWER TO PLAT	

602.1 Platform Control Box, View 1
(continued)

Item	Part No.	Description	Qty.
31	6019GT	SCREW,HHC,3/8-16 X 1.25 GRD 5	
32	216787GT	PLATFORM CONTROL BOX,Z45.....1	
33	139338GT	SCREW PH M5-0.8X20 DIN 7500CE	
34	104030GT	NUT HEX M5-0.8 CLASS 8 ZINC	
35	6090GT	SCREW,HHC,1/4-20 X .75	
36	6638GT	WASHER,FLAT,USS,1/4"Y	
37	23404GT	NUTSERT,1/4-20,STEEL CAD PLTD.....4	
38	139974GT	LID,PLATFORM CONTROL BOX.....1	

This Page Intentionally Left Blank

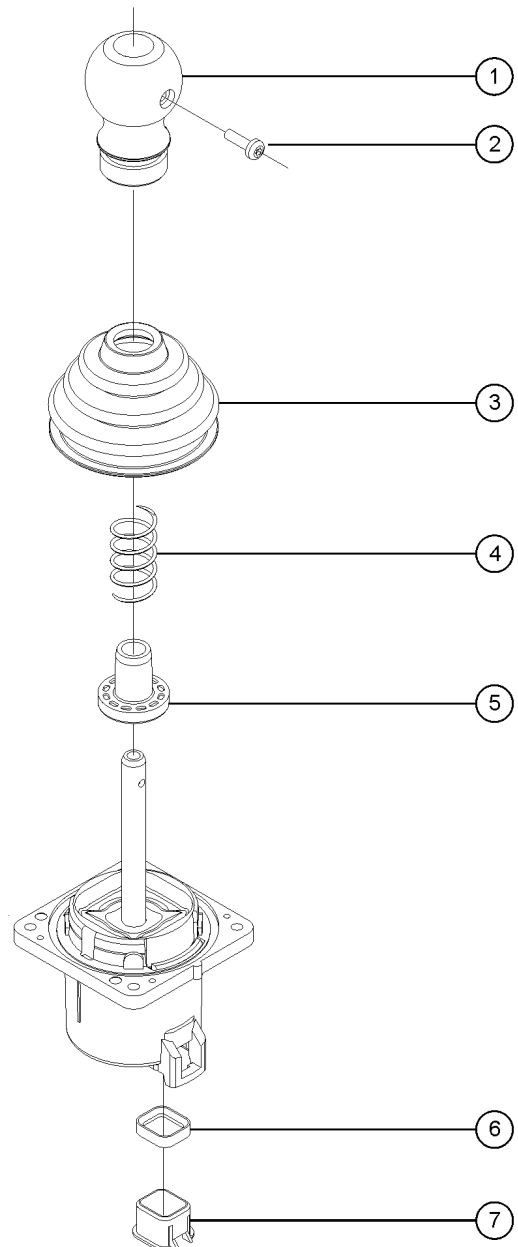
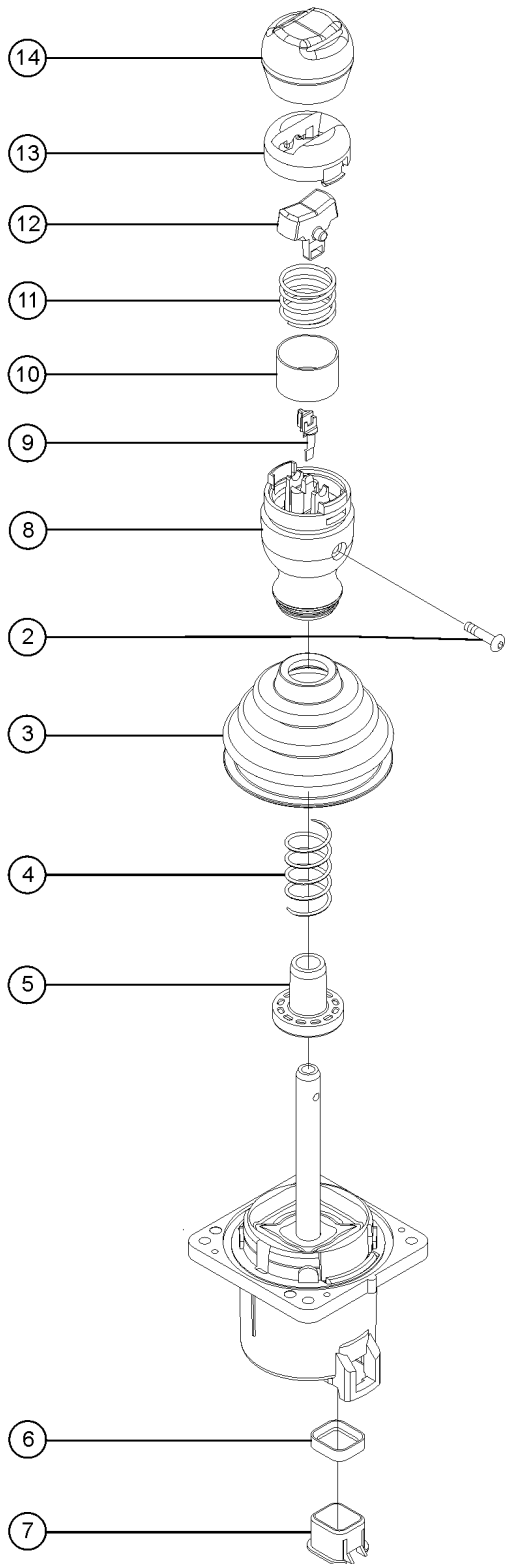
603.1 Platform Control Box, View 2



603.1 Platform Control Box, View 2

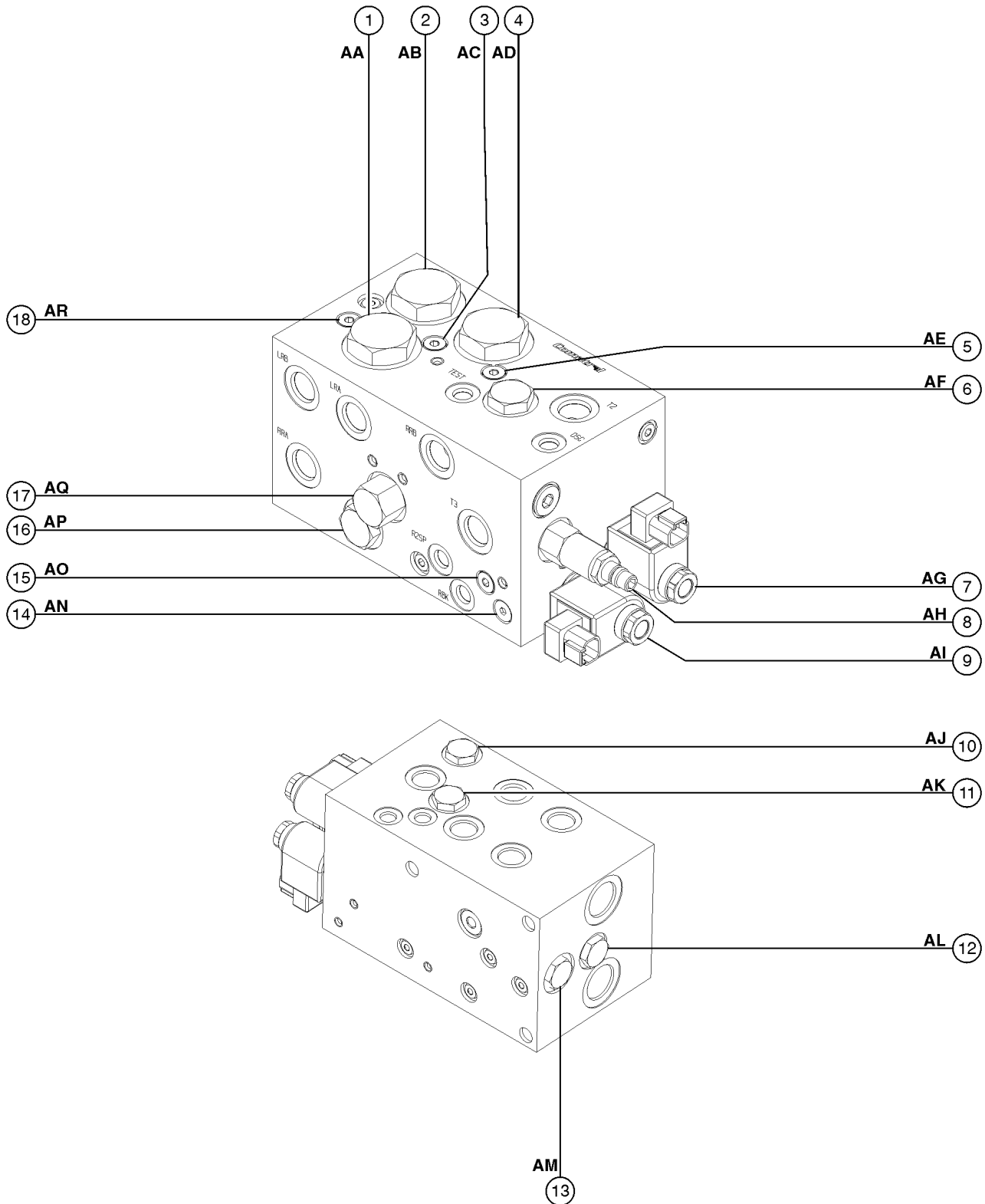
Item	Part No.	Description	Qty.
1	54365GT	SCREW,PHIL,PHM,10-32 X .5,SSTL	
2	6178GT	NUT,NYLOCK,10-32	
3	49818GT	SCREW,PHILLIPS,PHM,10-32 X .38	
4	14392GT	NUT,LP NYLOCK,10-32	
5	34052GT	RELAY,SPDT,12V(AUTO) PLUG IN**.....2	
6	56663GT	TERMINAL STRIP.....1	
7	34053GT	ASSY,RELAY SOCKET, AUTO.....2	
8	6272GT	RIVET,STL,STL,P,.125 X .25.....2	
9	13268GT	CLAMP,0.75,#12 X 1/4,RUB CUSH.....3	
10	119644GT	BRACKET,PBOX WIRE SUPPORT.....1	
11	49819GT	SCREW,PHILLIPS,PHM,10-32 X .5	
12	218530GT	ASSY,PCB ALC500 Z45-2012 V100.....1	
13	81550GT	STANDOFF,6-32 X 3/8L X 1/4 HEX.....10	
14	81551GT	SCREW,PHIL,PHM,6-32 X 1/4 SS	
15	30996GT	PLUG,NYLON .313 BLACK DOMED.....2	
16	42781GT	PLUG, NYLON .250 BLACK DOMED.....2	

604.1 Joysticks



Item	Part No.	Description	Qty.
--	101174GT	JOYSTICK,2 AXIS,DEUTSCH <i>OEM joystick (calibration required after replacement)</i>	
--	101174HGT	JOYSTICK,DUAL AXIS W/KNOB <i>aftermarket joystick (calibration required after replacement)</i>	
--	101175GT	JOYSTICK,1 AXIS,DEUTSCH <i>OEM joystick (calibration required after replacement)</i>	
--	101175HGT	JOYSTICK,SINGLE AXIS W/KNOB <i>aftermarket joystick (calibration required after replacement)</i>	
--	101005GT	JOYSTICK,1 AXIS ROCKER,DEUTSCH <i>OEM joystick (calibration required after replacement)</i>	
--	101005HGT	JOYSTICK,SINGLE AXIS W/STEER <i>aftermarket joystick (calibration required after replacement)</i>	
--	83098GT	TERM,AMP MTE,SOC,22-26 GA BULK	
Z	1269501GT	KIT, ISOLATION, 3 JOYSTICK	
1	62392GT	KNOB,JOYSTICK, 62390/62391.....	1
2	T112626GT	SCREW, PHM, #6-32 X .625 ZINC.....	1
3	139598GT	BOOT,JOYSTICK.....	1
4		SPRING,JOYSTK CENTR,62390/91..... <i>no longer available from supplier</i>	1
5	119915GT	COLLAR,JOYSTICK,CENTER.....	1
6	128000GT	SEAL, CONNECTOR (DT JOYSTICKS).....	1
7	128001GT	SLEEVE,CONNECTOR,DT JOYSTICKS.....	1
8	75449GT	KNOB,ROCKER JOYSTICK 75565.....	1
9	75448GT	SUPPORT,SENSOR,JOYSTICK.....	1
10	75447GT	SWITCH SHIELD,ROCK JOYSTK75565.....	1
11	75446GT	SPRING,SWITCH CENTERING,75565...	1
12	75445GT	ROCKER ASSY.,MAGNETIC 75565.....	1
13	75444GT	ROCKER,RETAINER, 75565.....	1
14	75443GT	BOOT, ROCKER JOYSTICK 75565.....	1

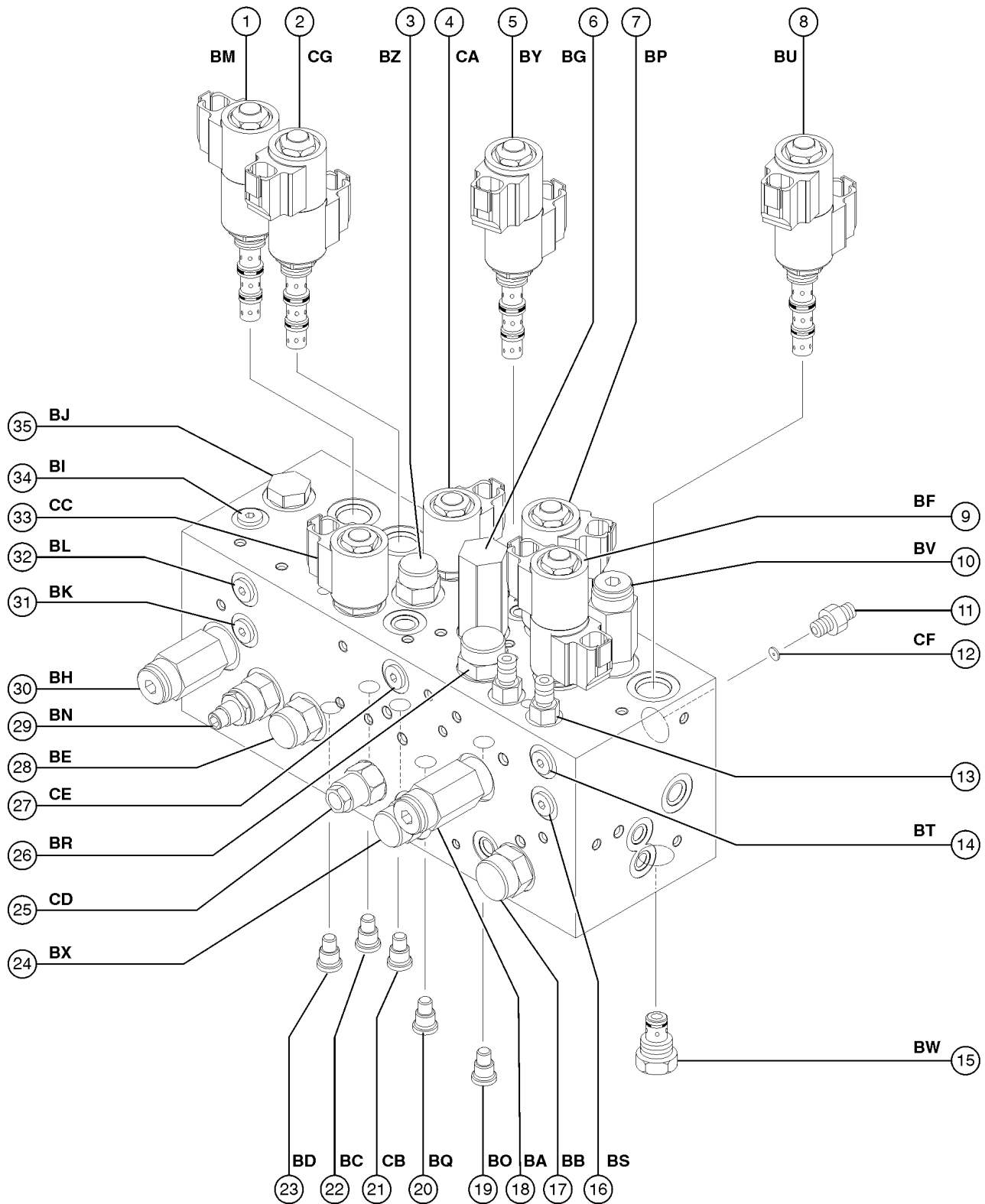
701.1 4WD Traction Manifold



701.1 4WD Traction Manifold

Item	Part No.	Description	Qty.	Item	Part No.	Description	Qty.
--	236278GT	MANIFOLD, TRACTION, 4WD <i>Complete</i>		13	231037GT	CHECK VALVE,BALL TYPE,NORMAL....1 <i>AM, Non-steer end drive motor circuit</i>	1
1	52726GT	VALVE,FLOW DIVIDER/COMBINER.....1 <i>AA, Controls flow to flow divider/combiner valves 2 and 4</i>		--	74902GT	SEAL KIT, VALVE <i>for 231037</i>	
--	84135GT	SEAL KIT, VALVE <i>for 52726</i>		14	27807GT	VALVE,CHECK***1 <i>AN, 2 speed motor shift circuit</i>	1
2	62252GT	VALVE, FLOW DIVIDER COMBINER....1 <i>AB, Controls flow to non-steer end drive motors in forward</i>		--	110200GT	SEAL KIT, VALVE, #4 <i>for 27807</i>	
--	84135GT	SEAL KIT, VALVE <i>for 62252</i>		15	77162GT	PLUG-ORIFICE 0.031 INCH.....1 <i>AO, Brake circuit</i>	1
3	219425GT	ORIFICE, PLUG, 1.2MM (.047IN).....1 <i>AC, Drive circuit</i>		16	27836GT	VALVE,CHECK,5 PSI.....1 <i>AP, Steer end drive motor circuit</i>	1
4	62252GT	VALVE, FLOW DIVIDER COMBINER....1 <i>AD, Controls flow to steer end drive motors in forward and reverse</i>		--	110194GT	SEAL KIT, VALVE, #10 <i>for 27836</i>	
--	84135GT	SEAL KIT, VALVE <i>for 62252</i>		17	218127GT	SHUTTLE VALVE, HOT OIL.....1 <i>AQ, Charge pressure circuit that directs hot oil out of low pressure side of drive pump and allows low pressure flow path for brake release and 2-speed motor shift</i>	1
5	77186GT	PLUG,ORIFICE,1.00MM(.039IN).....1 <i>AE, Drive circuit</i>		--	84137GT	SEAL KIT, VALVE 84129 <i>for 218127</i>	
6	27836GT	VALVE,CHECK,5 PSI.....1 <i>AF, Non-steer end drive motor circuit</i>		18	77186GT	PLUG,ORIFICE,1.00MM(.039IN).....1 <i>AR, Drive circuit</i>	1
--	110194GT	SEAL KIT, VALVE, #10 <i>for 27836</i>					
7	161534GT	VALVE, SOLENOID, 2 POS 3 WAY.....1 <i>AG, Braking</i>					
8	218121GT	RELIEF VALVE, 250 PSI.....1 <i>AH, Charge pressure circuit</i>					
--	110194GT	SEAL KIT, VALVE, #10 <i>for 218121</i>					
9	161534GT	VALVE, SOLENOID, 2 POS 3 WAY.....1 <i>AI, 2-speed motor shift</i>					
--	122148GT	COIL,SOLENOID VALVE,20W <i>for 218125</i>					
--	237235GT	NUT KIT W/COIL ORINGS <i>for 218125</i>					
--	237236GT	SEAL KIT,VALVE <i>for 218125</i>					
10	231037GT	CHECK VALVE,BALL TYPE,NORMAL....1 <i>AJ, Steer end drive motor circuit</i>					
--	74902GT	SEAL KIT, VALVE <i>for 231037</i>					
11	231037GT	CHECK VALVE,BALL TYPE,NORMAL....1 <i>AK, Steer end drive motor circuit</i>					
--	74902GT	SEAL KIT, VALVE <i>for 231037</i>					
12	231037GT	CHECK VALVE,BALL TYPE,NORMAL....1 <i>AL, Non-steer end drive motor circuit</i>					
--	74902GT	SEAL KIT, VALVE <i>for 231037</i>					

702.1 Function Manifold



702.1 Function Manifold

Item	Part No.	Description	Qty.	Item	Part No.	Description	Qty.
--	219436GT	MANIFOLD,FUNCTION,IC <i>Complete</i>		10	101277GT	VALVE,RELIEF,2100 PSI*** <i>BV, Secondary boom down</i>	
1	39346GT	VALVE,SOLENOID 3 POS.4 WAY*** <i>BM, Platform level up/down (valve with nut and spacer only)</i>		--	44227GT	SEAL KIT, VALVE	
--	44229GT	SEAL KIT, VALVE		11	48912GT	CONN,520120-4-6***	
--	89863GT	COIL,10V DC,DEUTCH W/DIODE*** <i>(coil sold separately)</i>		12	47092GT	ORIFICE DISC,.046",GREEN <i>CF, Secondary boom down circuit (located under fitting)</i>	
2	39346GT	VALVE,SOLENOID 3 POS.4 WAY*** <i>CG, Platform rotate left/right and jib boom up/down (valve with nut and spacer only)</i>		13	48997GT	NIPPLE,DIAGNOSTIC,#4 <i>Testing</i>	
--	44229GT	SEAL KIT, VALVE		--	20224GT	DIAGNOSTIC FEMALE Q-DSCNT	
--	89863GT	COIL,10V DC,DEUTCH W/DIODE*** <i>(coil sold separately)</i>		14	52907GT	VALVE-CHECK, #4 SAE, 5 PSI* <i>BT, Differential sensing circuit,secondary boom down</i>	
3	62346GT	VALVE,FLOW REGULATOR, 2.0 GPM* <i>BZ, Primary boom extension circuit</i>		--	62341GT	SEAL KIT,52907,SIZE 4, 2 WAY	
--	44228GT	SEAL KIT, VALVE		15	44178GT	VALVE,CHECK,5 PSI** <i>BW, Secondary boom circuit</i>	
4	62815GT	VALVE,SOLENOID,2POS 3 WAY*** <i>CA, Primary boom extend (valve with nut and spacer only)</i>		--	44224GT	SEAL KIT, VALVE	
--	52371GT	SEAL KIT, VALVE		16	52907GT	VALVE-CHECK, #4 SAE, 5 PSI* <i>BS, Differential sensing circuit, secondary boom up</i>	
--	89863GT	COIL,10V DC,DEUTCH W/DIODE*** <i>(coil sold separately)</i>		--	62341GT	SEAL KIT,52907,SIZE 4, 2 WAY	
5	94614GT	VALVE,PROP,3 POS,4-WAY*** <i>BY, Primary boom up/down (valve with nut and spacer only)</i>		17	52369GT	VALVE,FLOW REG., 2.0 GPM,GS68 <i>BB, Steer circuit</i>	
--	44229GT	SEAL KIT, VALVE		--	44225GT	SEAL KIT, VALVE	
--	89863GT	COIL,10V DC,DEUTCH W/DIODE*** <i>(coil sold separately)</i>		18	52906GT	VALVE-RELIEF,3200 PSI <i>BA, System relief</i>	
6	94616GT	VALVE,DIFF SENSING,160 PSI <i>BG, Meters flow to functions</i>		--	44225GT	SEAL KIT, VALVE	
--	62337GT	SEAL KIT, VALVE		19	826779GT	VALVE,SHUTTLE <i>BO, Turntable rotate circuit</i>	
7	107816GT	VALVE,PROPORTIONAL 3 POS 4 WY* <i>BP, Turntable rotate left/right (valve with nut and spacer only)</i>		20	52907GT	VALVE-CHECK, #4 SAE, 5 PSI* <i>BQ, Differential sensing circuit, turntable rotate</i>	
--	44229GT	SEAL KIT, VALVE		--	62341GT	SEAL KIT,52907,SIZE 4, 2 WAY	
--	89863GT	COIL,10V DC,DEUTCH W/DIODE*** <i>(coil sold separately)</i>		21	52907GT	VALVE-CHECK, #4 SAE, 5 PSI* <i>CB, Differential sensing circuit,primary boom retract</i>	
8	94614GT	VALVE,PROP,3 POS,4-WAY*** <i>BU, Secondary boom up/down (valve with nut and spacer only)</i>		--	62341GT	SEAL KIT,52907,SIZE 4, 2 WAY	
--	44229GT	SEAL KIT, VALVE		22	52907GT	VALVE-CHECK, #4 SAE, 5 PSI* <i>BC, Differential sensing circuit, platform rotate left / jib boom up</i>	
--	89863GT	COIL,10V DC,DEUTCH W/DIODE*** <i>(coil sold separately)</i>		--	62341GT	SEAL KIT,52907,SIZE 4, 2 WAY	
9	44168GT	VALVE,SOLENOID,3POS 4WAY <i>BF, Steer left/right (valve with nut and spacer only)</i>		23	52907GT	VALVE-CHECK, #4 SAE, 5 PSI* <i>BD, Differential sensing circuit,platform rotate right / jib boom down</i>	
--	44229GT	SEAL KIT, VALVE		--	62341GT	SEAL KIT,52907,SIZE 4, 2 WAY	
--	89863GT	COIL,10V DC,DEUTCH W/DIODE*** <i>(coil sold separately)</i>		24	62324GT	VALVE,FLOW CONTROL, 0.1GPM* <i>BX, Differential sensing circuit,primary boom up/down</i>	
				--	44228GT	SEAL KIT, VALVE	
				25	54063GT	VALVE,CB.CBBC-LHN@1000*** <i>CD, Primary boom down circuit</i>	

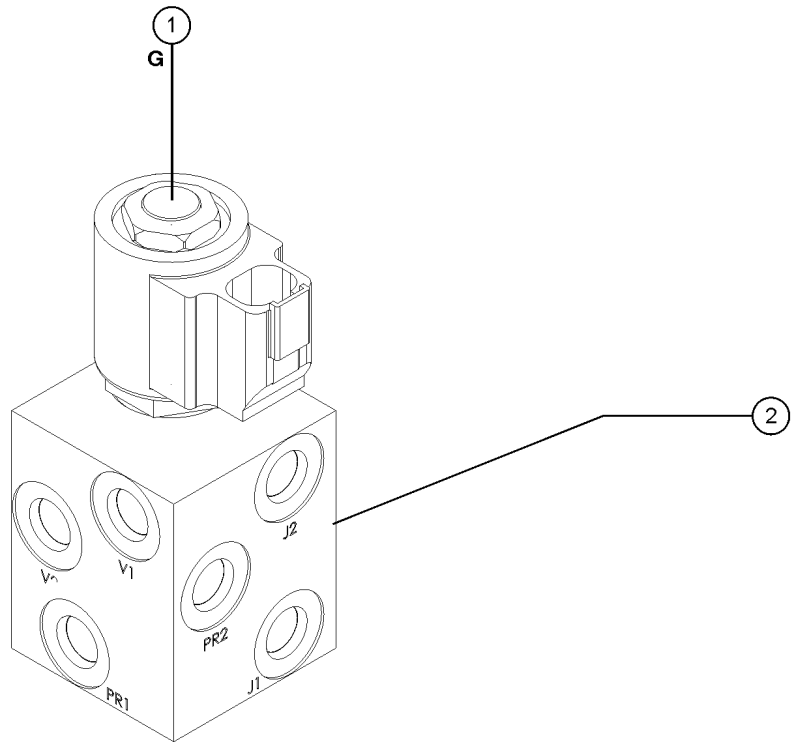
702.1 Function Manifold
(continued)

Item	Part No.	Description	Qty.
--	43018GT	SEAL KIT (39345)	
26	110180GT	VALVE, COMPENSATOR, 80 PSI <i>BR, Turntable rotate circuit</i>	
--	44225GT	SEAL KIT, VALVE	
27	44216GT	VALVE,SHUTTLE <i>CE, Differential sensing circuit,primary boom up/down</i>	
--	44235GT	SEAL KIT-FOR PN.44216 & 826779	
28	94618GT	VALVE,FLOW CONTROL,.4 GPM <i>BE, Platform rotate / jib boom circuit primary boom up/down</i>	
--	44228GT	SEAL KIT, VALVE	
29	101055GT	VALVE,NEEDLE,FINE ADJUSTMENT** <i>BN, Platform level circuit</i>	
--	44228GT	SEAL KIT, VALVE	
30	101114GT	VALVE RELIEF,2500PSI(88513)** <i>BH, Platform level circuit</i>	
--	44227GT	SEAL KIT, VALVE	
31	52907GT	VALVE-CHECK, #4 SAE, 5 PSI* <i>BK, Differential sensing circuit,platform level up</i>	
--	62341GT	SEAL KIT,52907,SIZE 4, 2 WAY	
32	52907GT	VALVE-CHECK, #4 SAE, 5 PSI* <i>BL, Differential sensing circuit,platform level down</i>	
--	62341GT	SEAL KIT,52907,SIZE 4, 2 WAY	
33	62815GT	VALVE,SOLENOID,2POS 3 WAY*** <i>CC, Primary boom retract (valve with nut and spacer only)</i>	
--	52371GT	SEAL KIT, VALVE	
--	89863GT	COIL,10V DC,DEUTCH W/DIODE*** <i>(coil sold separately)</i>	
34	44216GT	VALVE,SHUTTLE <i>BI, Platform level circuit</i>	
--	44235GT	SEAL KIT-FOR PN.44216 & 826779	
35	101958GT	VALVE,CHECK,DUAL PILOT,135 PSI <i>BJ, Platform level circuit</i>	
--	44229GT	SEAL KIT, VALVE	

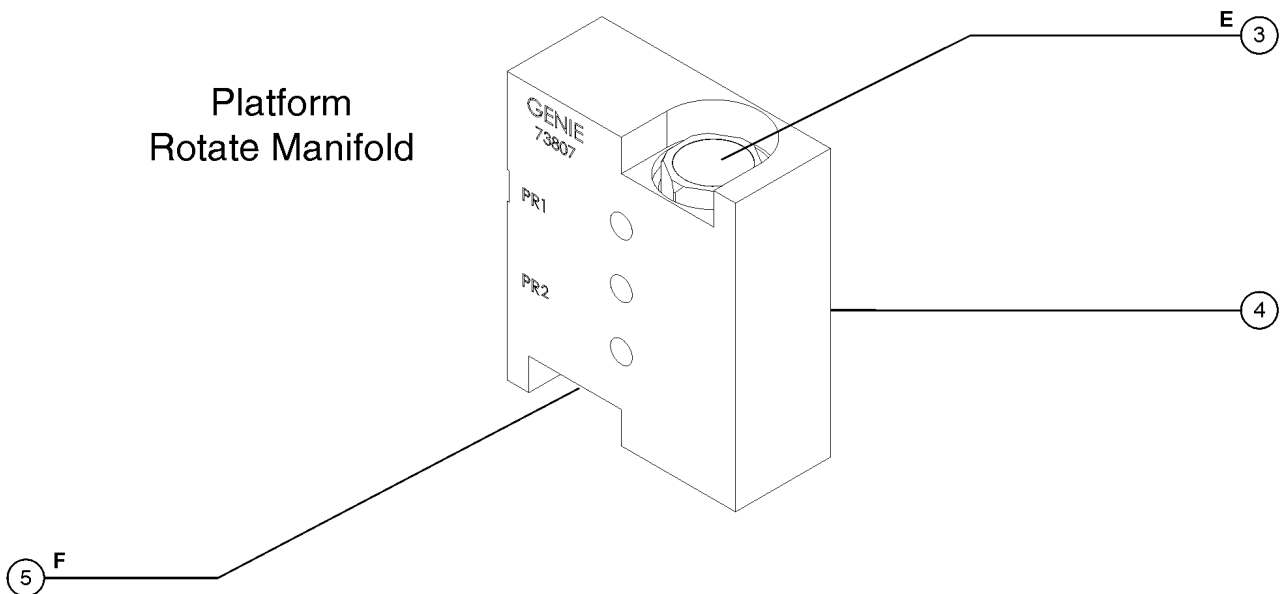
This Page Intentionally Left Blank

703.1 Jib and Platform Rotate Manifolds

Jib Manifold



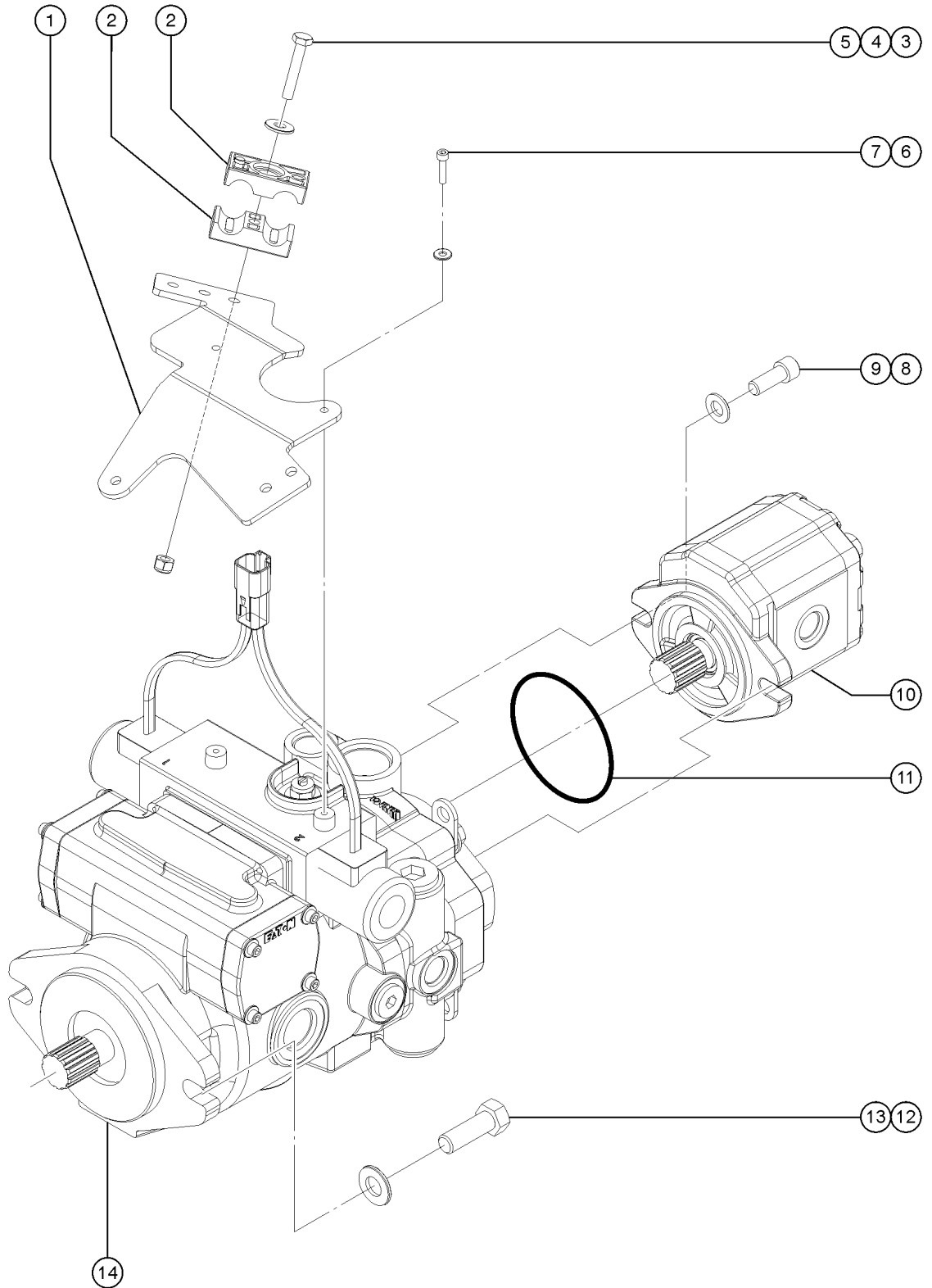
Platform Rotate Manifold



703.1 Jib and Platform Rotate Manifolds

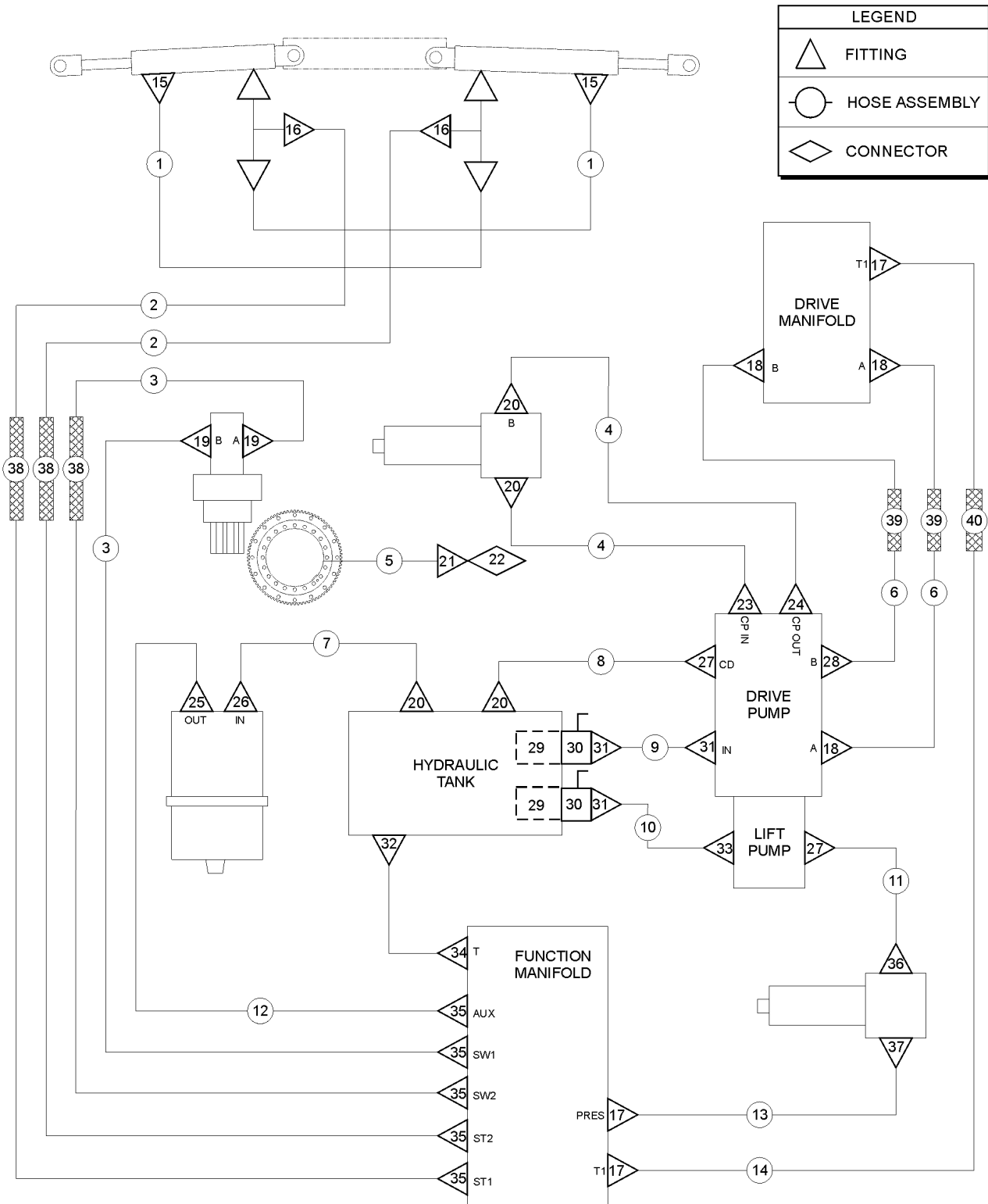
Item	Part No.	Description	Qty.
1A	89862GT	VALVE-SOLENOID,2POS 3WAY,JIB** <i>G, Platform rotate left/right and jib boom up/down, for 88786, does not include the coil or nut, 104759 or 44174</i>	
--	104759GT	COIL,12VDC #8 DTSCH IP69 ECOIL	
--	44174GT	NUT-COIL SHORT	
--	89864GT	SEAL KIT,SOLENOID VALVE, SV07	
1B	52897GT	VALVE,SOLENOID, 2POS/3WAY*** <i>G, Platform rotate left/right and jib boom up/down, for 1256670, does not include the coil or nut, 104759 or 44174</i>	
--	104759GT	COIL,12VDC #8 DTSCH IP69 ECOIL	
--	44174GT	NUT-COIL SHORT	
--	52371GT	SEAL KIT, VALVE	
2	1256670GT	MANIFOLD,JIB SELECT W/QD PLUG <i>includes item 1, replaced 88786</i>	
--	104759GT	COIL,12VDC #8 DTSCH IP69 ECOIL	
--	44174GT	NUT-COIL SHORT	
--	52371GT	SEAL KIT, VALVE	
--	52897GT	VALVE,SOLENOID, 2POS/3WAY***	
3	62506GT	VALVE - COUNTERBALANCE**1 <i>E and F, Platform rotate circuit</i>	
--	43018GT	SEAL KIT (39345) <i>for 62506</i>	
4	73807GT	MANIFOLD,ROTATOR,CB***1 <i>includes item 3</i>	
--	43018GT	SEAL KIT (39345)	
--	62507GT	O-RING, ROTATOR MANIFOLD <i>for 62507</i>	
5	62506GT	VALVE - COUNTERBALANCE**	
--	46018GT	BRACKET,BOX	

704.1 Hydraulic Pumps



Item	Part No.	Description	Qty.
1	216342GT	BRACKET,PUMP MOUNTING.....	1
2	78736GT	CLAMP,2 HOSE,PLASTIC,5/8.....	4
3	6145GT	SCREW,HHC,1/4-20 X 1.5	
4	6638GT	WASHER,FLAT,USS,1/4"Y	
5	6091GT	NUT,NYLOCK,1/4-20	
6	66856GT	SCREW,SHC,8-32 X 3/4,BLK COAT.....	2
7	35461GT	WASHER,FLAT,MS,#8,Y.....	2
8	33988GT	SCREW,SHC,3/8-16 X 1.....	2
9	22699GT	WASHER,FLAT,M10,ZINC PLTD.....	2
10	81013GT	PUMP,PIGGBACK,11CC,11 TOOTH***.....	1
--	81669GT	SEAL KIT,11 TOOTH PUMP*** <i>for 81013</i>	
11	43683GT	O-RING,2-042 N674-70***.....	1
12	8177GT	SCREW,HHC,1/2-13 X 1.5.....	2
13	13066GT	WASHER,FLAT,.5 HARDENED.....	2
14	77788GT	PUMP,PISTON,49CC***.....	1
--	101294GT	KIT,CHARGE PUMP	
--	106835GT	CONTROLLER W/O COILS (77788)	
--	106836GT	O-RING,STEM,EATON	
--	106837GT	NUT,STEM,EATON***	
--	107813GT	SPACER,EATON PUMP SHAFT SEAL** <i>check pump date code, for pumps after 031505</i>	
--	107814GT	SEAL,SHAFT,EATON PUMP***	
--	107815GT	SNAP RING,PUMP SHAFT SEAL***	
--	107842GT	KIT,PUMP SHAFT SEAL W/INST*** <i>includes PNs 107812, 107813, 107814, 107815</i>	
--	128423GT	KIT,CHARGE PUMP HOUSING	
--	43683GT	O-RING,2-042 N674-70***	
--	58431GT	SEAL KIT,PUMP SHAFT (EATON)*** <i>check pump date code, if after 031505, must also order 107813 qty 1</i>	
--	82431GT	HOSE ASM-JCAF310-06-41	
--	88957GT	COIL,DUAL,12V DEUT,49CC PUMP** <i>includes two coils</i>	

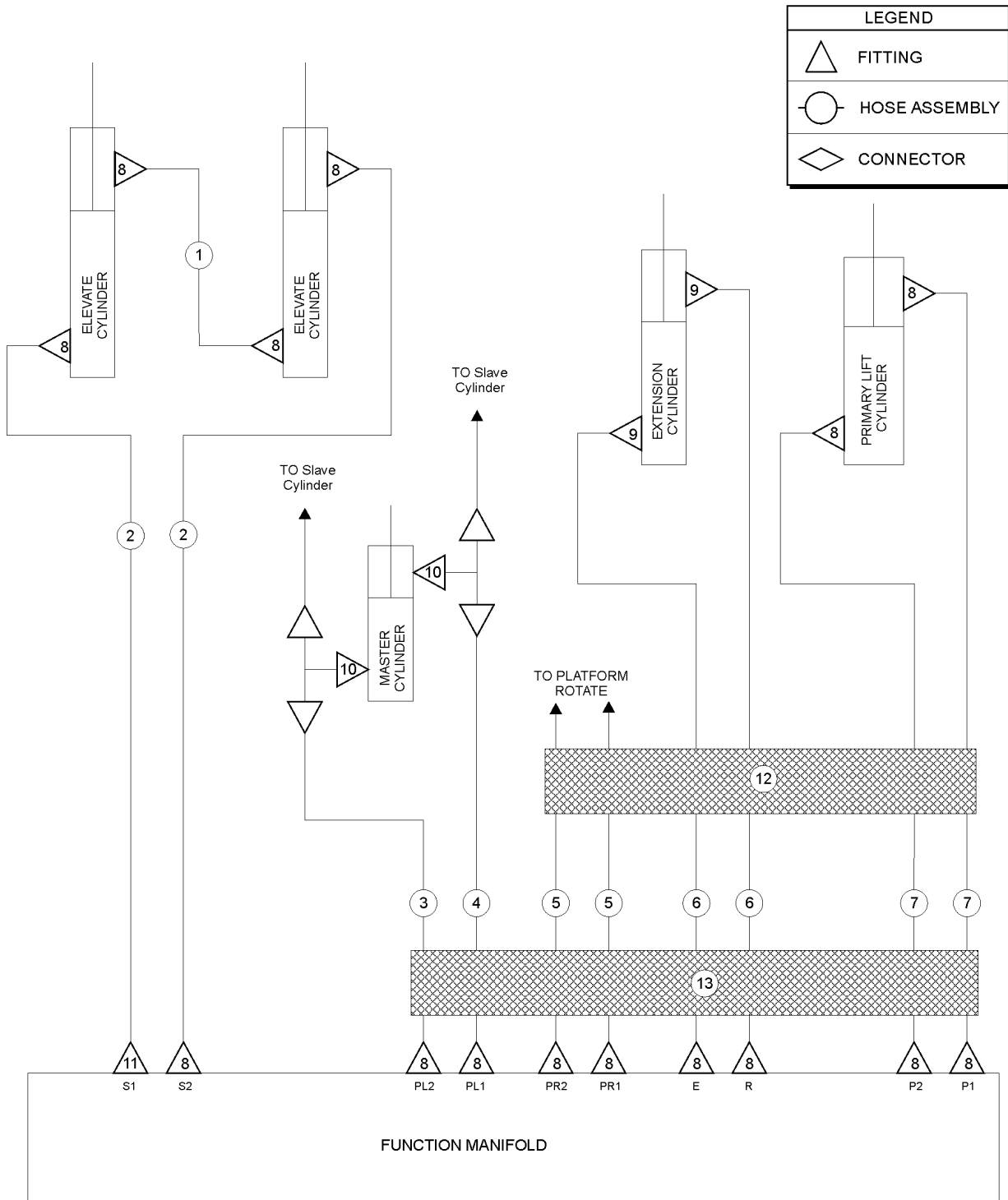
801.1 Chassis and Turntable, View 1



801.1 Chassis and Turntable, View 1

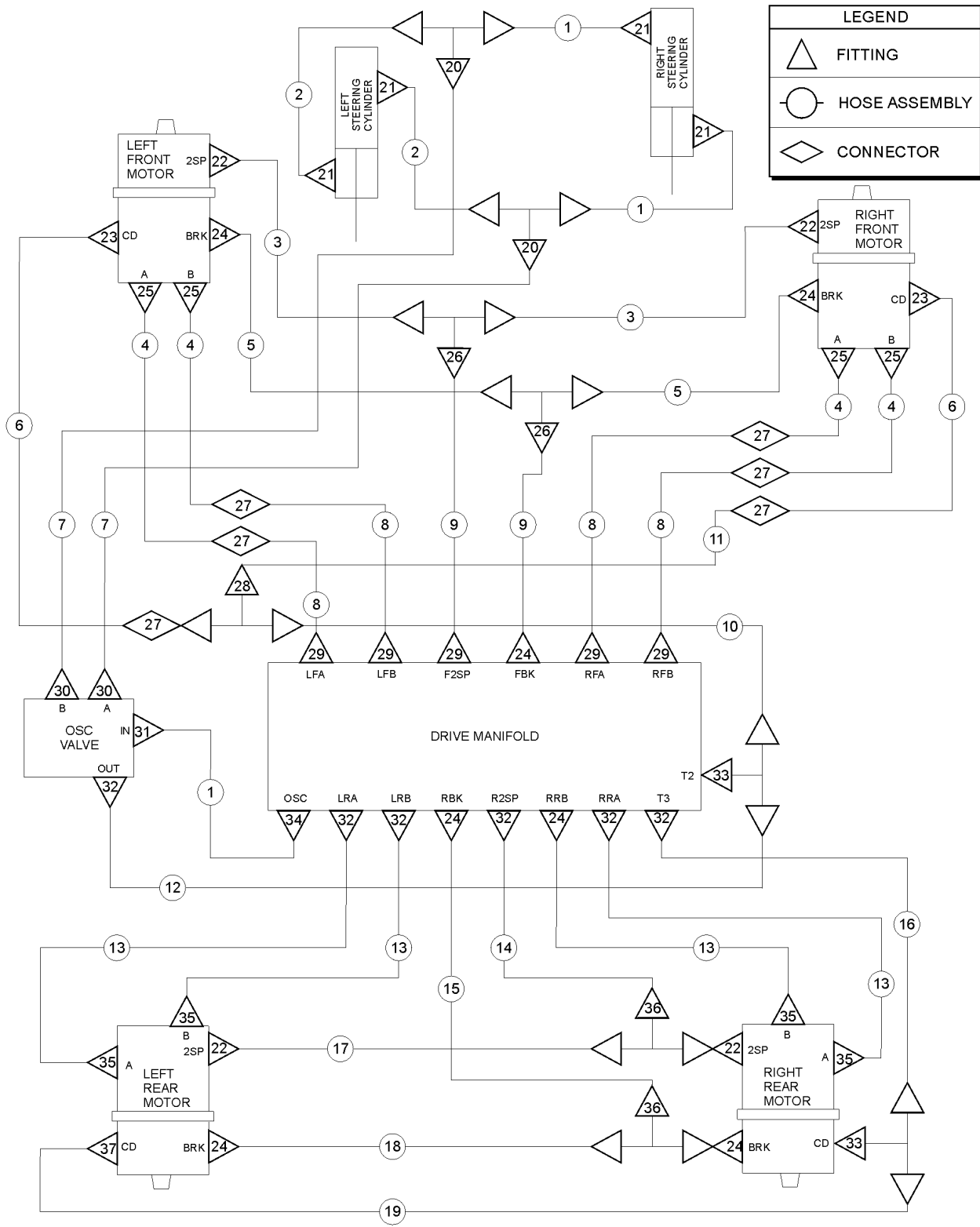
Item	Part No.	Description	Qty.	Item	Part No.	Description	Qty.
1	49118-2508GT	HOSE ASSY,1/4,90 FEM,STR FEM.....2 (Components: 48800, 48811, 48751 @ 23 inches)		24	48946GT	CONN,520120-8-10.....1	
2	49120-13081GT	HOSE ASSEMBLY,1/4".....2 (Components: 48800, 48810, 48751 @ 129 inches)		25	48912GT	CONN,520120-4-6***.....1	
3	49119-4878GT	HOSE ASSY,1/4,STR FEM,STR FEM.....2 (Components: 48800, 48800, 48751 @ 47 inches)		26	48916GT	FITTING,CONN,520120-6.....1	
4	49141-2463GT	HOSE ASSY,1/2,45 FEM,STR FEM**.....2 (Components: 48822, 48826, 48756 @ 22 inches)		27	48999GT	VALVE,CHK,#8PORT-#8MALEORFS.....1	
5	88635-3724GT	HOSE ASSY 1/4,STR FEM,PIPETHRE1 (Components: 54954, 48805, 48751 @ 35 inches)		28	48978GT	ELBOW,45D,520320-12-16.....2	
6	94374-10330GT	HOSE ASSY,3/4,90 FEM,STR FEM.....2 (Components: 48841, 48846, 94358 @ 100 inches)		29	101490GT	STRAINER,16 SAE F/24 SAE M.....2	
7	217956GT	HOSE ASSY, 3/8",31.21.....1 (Components: 70640, 217953, 75631 @ 27.5 inches)		30	48996GT	VALVE,BALL,16 MSAE-16 FSAE**.....2	
8	49141-6763GT	HOSE ASSY,1/2,45 FEM,STR FEM.....1 (Components: 48822, 48826, 48756 @ 65 inches)		31	48984GT	CONN, 520120-16.....3	
9	119993-4753GT	HOSE ASSY 1",STR FEM,STR FEM.....1 (Components: 88938, 88938, 88940 @ 45.25 inches)		32	48977GT	CONN,520120-12-16.....1	
10	119993-4303GT	HOSE ASSY 1",STR FEM,STR FEM.....1 (Components: 88938, 88938, 88940 @ 40.75 inches)		33	48983GT	ELBOW,90D,520220-16.....1	
11	75278-2629GT	HOSE ASSY,1/2,90 FEM,STR FEM**.....1 (Components: 48822, 48827, 56777 @ 24 inches)		34	48960GT	FITTING,CONN,520120-12.....1	
12	49117-5691GT	HOSE ASSY,1/4,90 FEM,STR FEM**.....1 (Components: 48800, 48802, 48751 @ 55 inches)		35	48905GT	CONN,520120-4***.....5	
13	61143-8063GT	HOSE ASSY,1/4,45 FEM,STR FEM**.....1 (Components: 48822, 48826, 56777 @ 78 inches)		36	48947GT	ELBOW,90D,520220-8-12.....1	
14	49183-11492GT	HOSE ASSY,1/2,STR FEM,STR FEM.....1 (Components: 48822, 48822, 48756 @ 113 inches)		37	48948GT	CONN,520120-8-12.....1	
15	48911GT	ELBOW,90D,520220-4-6***.....2		38	48773-2800GT	SLEEVE,NYLON,.86 ID.....3	
16	48918GT	TEE,RUN,520428-6.....2		39	48767-2000GT	SLEEVE,NYLON,1.42 ID.....2	
17	48933GT	CONN, 520120-8***.....3		40	48773-2000GT	SLEEVE,NYLON,.86 ID.....1	
18	48906GT	TEE,RUN,520428-4.....2					
19	48904GT	ELBOW,90D,520220-4-4.....2					
20	48932GT	FITTING,ELBOW,90D,520220-8***.....4					
21	48885GT	CONNECTOR,BULKHEAD,FEMALE-4...1					
22	94643GT	ZERK,GREASE,5/16-24,STRAIT.....1					
23	48949GT	CONN,520120-8-16.....1					

802.1 Chassis and Turntable, View 2



Item	Part No.	Description	Qty.
1	49119-2278GT	HOSE ASSY,1/4,STR FEM,STR FEM.....2 (Components: 48800, 48800, 48751 @ 21 inches)	
2	49117-14391GT	HOSE ASSY,1/4,90 FEM,STR FEM.....2 (Components: 48800, 48802, 48751 @ 142 inches)	
3	49119-36178GT	HOSE ASSY,1/4,STR FEM,STR FEM.....1 (Components: 48800, 48800, 48751 @ 360 inches)	
4	49119-37678GT	HOSE ASSY,1/4,STR FEM,STR FEM.....1 (Components: 48800, 48800, 48751 @ 375 inches)	
5	49119-39378GT	HOSE ASSY,1/4,STR FEM,STR FEM.....2 (Components: 48800, 48800, 48751 @ 392 inches)	
6	49120-35381GT	HOSE ASSY 1/4, STR FEM,STR FEM...2 (Components: 48800, 48810, 48751 @ 352 inches)	
7	49119-38578GT	HOSE ASSY,1/4,STR FEM,STR FEM.....2 (Components: 48800, 48800, 48751 @ 384 inches)	
8	48905GT	CONN,520120-4***.....15	
9	48917GT	CONN,LONG,520122-6.....2	
10	48890GT	FITTING,TEE,BRANCH,520429-4***.....2	
11	48912GT	CONN,520120-4-6***.....1	
12	77103-3600GT	SLEEVE,NYLON,3.13 ID.....1	
13	77103-4800GT	SLEEVE,NYLON,3.13 ID.....1	

803.1 Boom and Platform

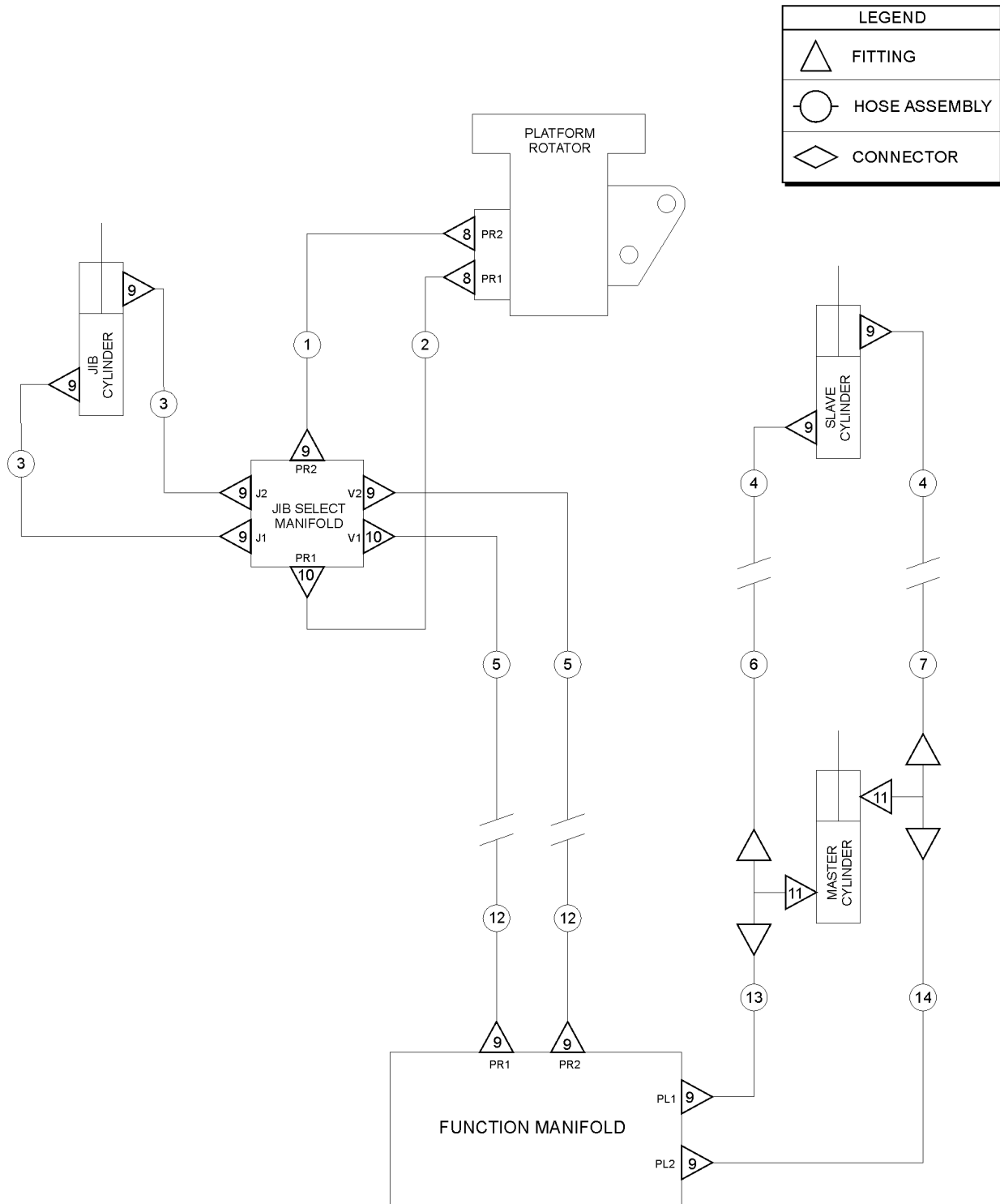


803.1 Boom and Platform

Item	Part No.	Description	Qty.	Item	Part No.	Description	Qty.
1	49117-2591GT	HOSE ASSY,1/4,90 FEM,STR FEM**.....3 (components: 48800, 48802, 48751 @ 24 inches)		19	49119-7078GT	HOSE ASSY,1/4,STR FEM,STR FEM.....1 (components: 48800, 48800, 48751 @ 69 inches)	
2	49117-2191GT	HOSE ASSY,1/4,90 FEM,STR FEM.....2 (components: 48800, 48802, 48751 @ 20 inches)		20	48909GT	TEE,BULKHEAD,RUN,520958-4.....2	
3	49119-5578GT	HOSE ASSY,1/4,STR FEM,STR FEM.....2 (components: 48800, 48800, 48751 @ 54 inches)		21	48912GT	CONN,520120-4-6***.....4	
4	61143-3263GT	HOSE ASSY,1/4,45 FEM,STR FEM.....4 (components: 48822, 48826, 56777 @ 30 inches)		22	48911GT	ELBOW,90D,520220-4-6***.....4	
5	49117-5591GT	HOSE ASSY,1/4,90 FEM,STR FEM**.....2 (components: 48800, 48802, 48751 @ 54 inches)		23	48930GT	CONN,520120-6-8.....2	
6	49126-3433GT	HOSE ASSY,3/8,45 FEM,STR FEM.....2 (components: 48812, 48815, 48753 @ 32 inches)		24	48905GT	CONN,520120-4***.....5	
7	49116-8737GT	HOSE ASSY,1/4,45 FEM,STR FEM.....2 (components: 48800, 48801, 48751 @ 85 inches)		25	48948GT	CONN,520120-8-12.....4	
8	77311-7156GT	HOSE ASSY,1/2,STR FEM,STR BLKH...4 (components: 77307, 48822, 48756 @ 68.5 inches)		26	219993GT	TEE,BULKHEAD,04MFS-04MFS-04MFS.2	
9	49119-6278GT	HOSE ASSY,1/4,STR FEM,STR FEM.....2 (components: 48800, 48800, 48751 @ 61 inches)		27	75574GT	NUT,BULKHEAD,520118-4.....6	
10	218045GT	HOSE ASSY,3/8,83.28".....1 (components: 77949, 217953, 75631 @ 81 inches)		28	227614GT	TEE,BULKHEAD,RUN,520120-6.....1	
11	89554-2913GT	HOSE ASSY, 3/8" STR M,90 FM***.....1 (components: 48816, 49551, 48753 @ 26 inches)		29	48937GT	ELBOW,45D,520320-8.....5	
12	94464-2786GT	HOSE ASSY,1/2,90 FEM,STR FEM.....1 (components: 77703, 48808, 39888 @ 26 inches)		30	49418GT	FITTING,ELBOW,45D,520320-4-6**.....2	
13	81812-4892GT	HOSE ASSY,1/2,STR FEM,STR FEM.....4 (components: 48822, 48822, 56777 @ 47 inches)		31	48914GT	CONN,520120-4-8.....1	
14	49117-4991GT	HOSE ASSY,1/4,90 FEM,STR FEM**.....1 (components: 48800, 48802, 48751 @ 48 inches)		32	48933GT	CONN, 520120-8***.....6	
15	49117-5191GT	HOSE ASSY,1/4,90 FEM,STR FEM**.....1 (components: 48800, 48802, 48751 @ 50 inches)		33	48936GT	TEE,BRANCH,520429-8.....2	
16	218044GT	HOSE ASSY,1/2,58.28".....1 (components: 87034, 48808, 39888 @ 56 inches)		34	48904GT	ELBOW,90D,520220-4-4.....1	
17	49119-5478GT	HOSE ASSY,1/4,STR FEM,STR FEM.....1 (components: 48800, 48800, 48751 @ 53 inches)		35	48947GT	ELBOW,90D,520220-8-12.....4	
18	49119-6078GT	HOSE ASSY,1/4,STR FEM,STR FEM.....1 (components: 48800, 48800, 48751 @ 59 inches)		36	48908GT	FITTING,TEE,RUN,SWIVEL520432-4.....2	
				37	48932GT	FITTING,ELBOW,90D,520220-8***.....1	

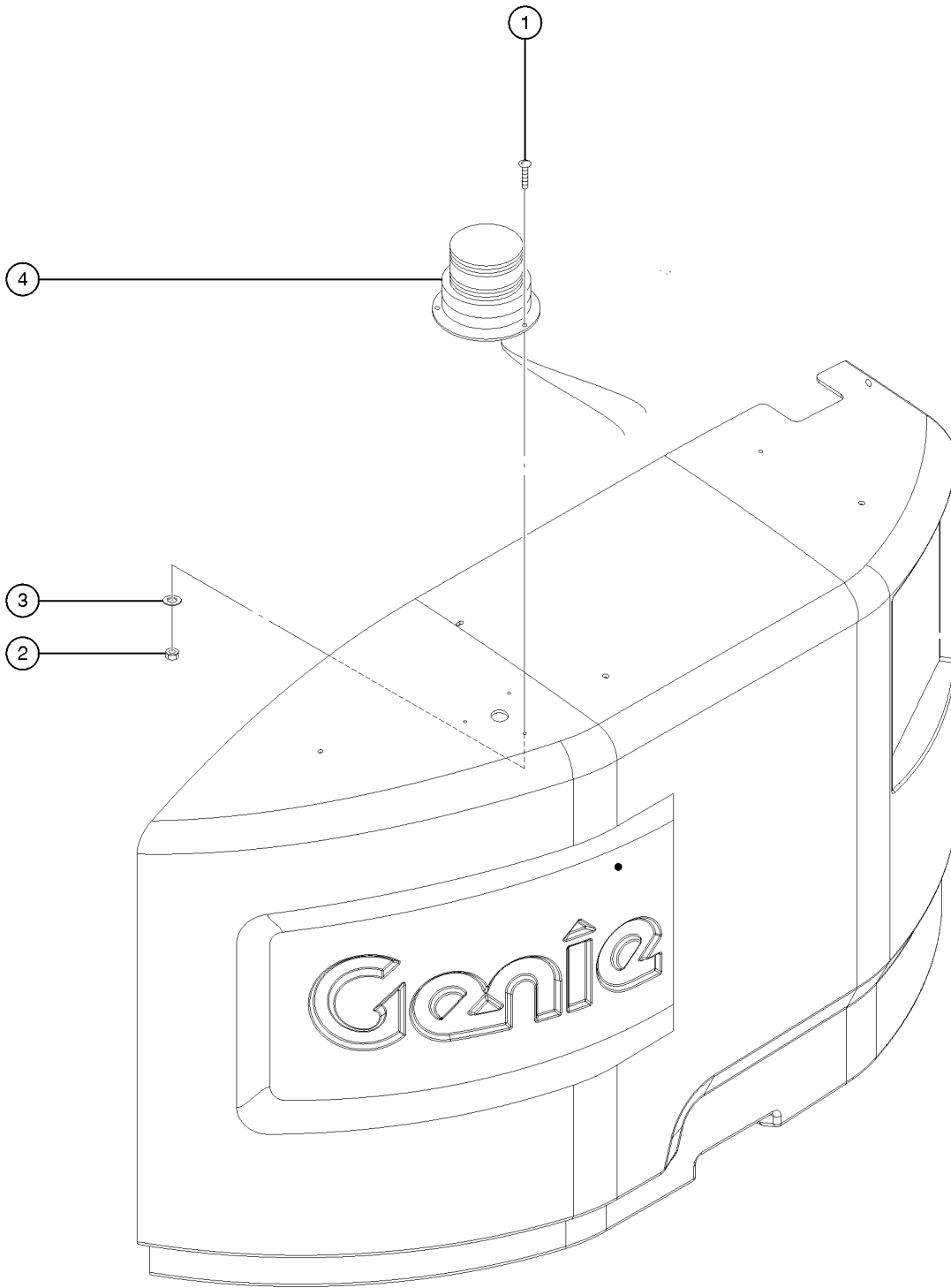


804.1 Boom and Platform



Item	Part No.	Description	Qty.
--	28678-2250GT	SLEEVE,NYLON, 2" ID.....1 <i>for item 4 (22.5 inches)</i>	1
--	48767-700GT	SLEEVE,NYLON,1.42 ID.....1 <i>for item 6 and 7 (7 inches)</i>	1
1	139099GT	HOSE ASSY, 1/4", 22.00.....1 <i>(components: 48800, 48800, 48751 @ 21.5 inches)</i>	1
2	232575GT	HOSE ASSY, 1/4", 21.24".....1 <i>(components: 48800, 48800, 48751 @ 20 inches)</i>	1
3	49119-4178GT	HOSE ASSY,1/4,STR FEM,STR FEM....2 <i>(components: 48800, 48800, 48751 @ 40 inches)</i>	2
4	49121-2088GT	HOSE ASSY 1/4,STR FEM,STR MALE..2 <i>(components: 42768, 48800, 48751 @ 19 inches)</i>	2
5	49121-2778GT	HOSE ASSY 1/4,STR FEM,STR MALE..2 <i>(components: 42768, 48800, 48751 @ 276 inches)</i>	2
6	49119-2187GT	HOSE ASSY,1/4,STR FEM,STR FEM....1 <i>(components: 48800, 48800, 48751 @ 217 inches)</i>	1
7	49119-2057GT	HOSE ASSY,1/4,STR FEM,STR FEM....1 <i>(components: 48800, 48800, 48751 @ 204 inches)</i>	1
8	48907GT	ELBOW,45D,520320-4.....2	2
9	48905GT	CONN,520120-4***8	8
10	48904GT	ELBOW,90D,520220-4-4.....2	2
11	48890GT	FITTING,TEE,BRANCH,520429-4***2	2
12		REF: Hydraulic Hose Assembly.....2 <i>refer to 802.1</i>	2
13		REF: Hydraulic Hose Assembly.....1 <i>refer to 802.1</i>	1
14		REF: Hydraulic Hose Assembly.....1 <i>refer to 802.1</i>	1

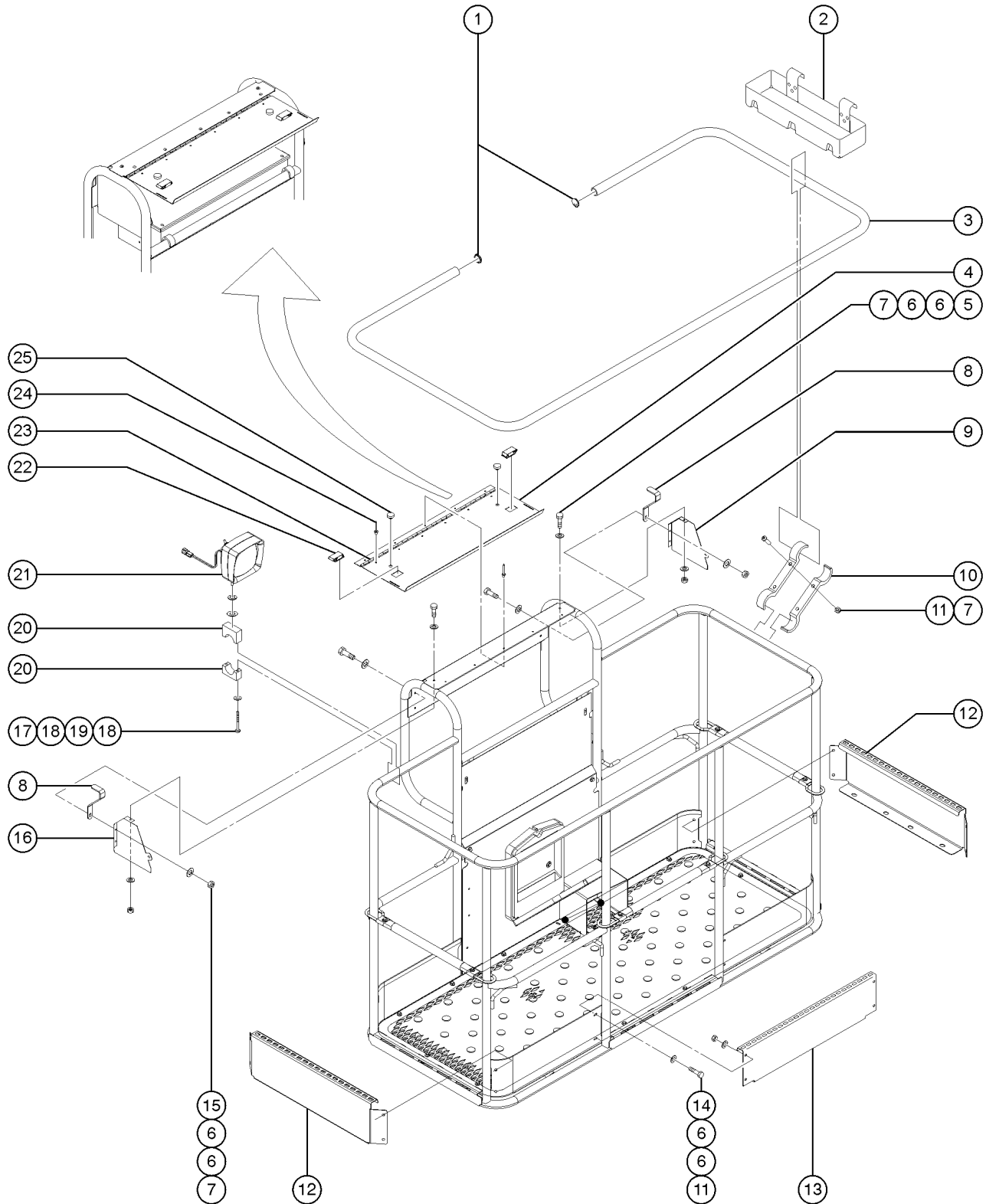
901.1 Alarm and Beacon Package



901.1 Alarm and Beacon Package

Item	Part No.	Description	Qty.
1	49817GT	SCREW,PHILLIPS,PHM,10-32 X1.25.....3	
2	6178GT	NUT,NYLOCK,10-32.....3	
3	6146GT	WASHER,FLAT,MS,#10,Y.....3	
4	56704GT	STROBE,FIREBOLT,12-80VDC,AMB**...1	
--	122019GT	FLASHTUBE,U SHAPED,360DEG,BULB	
--	226393GT	FLASHTUBE,STRAIGHT,360DEG,BULB	
--	72282GT	LENS,AMBER,STROBE,FIREBOLT	

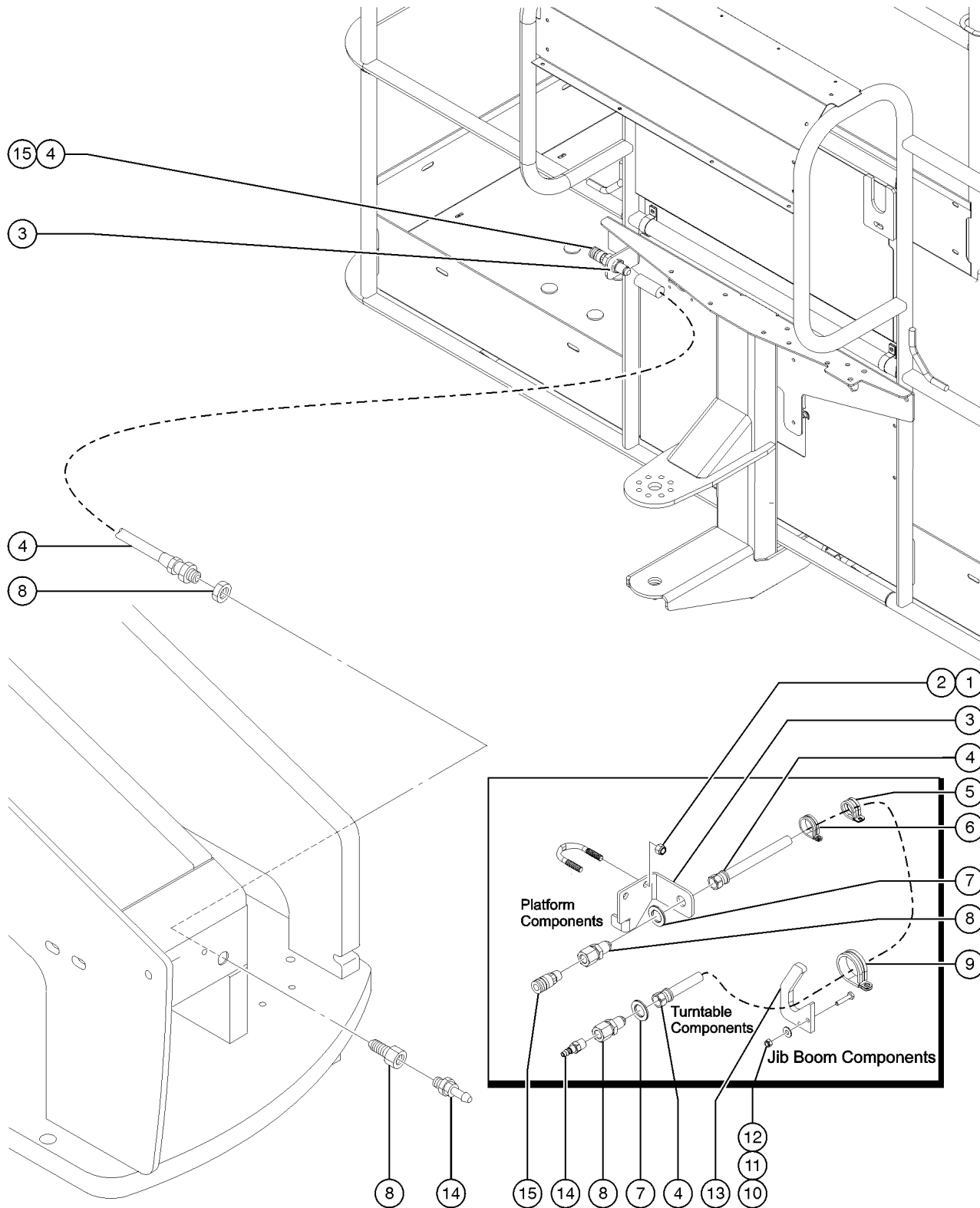
902.1 Platform Options



902.1 Platform Options

Item	Part No.	Description	Qty.
A	219684GT	HARN,DRIVE LIGHTS,Z45/Z51	
1	55753GT	BUMPER, PLASTIC, 1.25 O.D.....	2
2	9599-SGT	TOOL TRAY ACCESSORY***.....	1
--	7746PGT	TOOL TRAY BRACKET (GRAY) **	
3A	1259704GT	PINCH GUARD RAIL,6' PLATFORM.....	1
		<i>includes 55753 bumpers</i>	
3B	111485PGT	AUX TOP RAIL,6FT,PTD.....	1
		<i>models with swing gate</i>	
4	102785PGT	CONTROL BOX COVER,LID,PTD.....	1
5	6090GT	SCREW,HHC,1/4-20 X .75	
6	6638GT	WASHER,FLAT,USS,1/4"Y	
7	6889GT	NUT,LP NYLOCK,1/4-20	
8	102786PGT	FORMING,LATCH,CTRL BOX LID PTD.....	2
9	88607PGT	COVER,CONTROL BOX LEFT SIDE***.....	1
10	122073GT	SUPPORT, RAILING.....	20
11	122231GT	SCREW,BHSC,1/4-20 X 1	
12	139438GT	TOEBOARD, TRI ENTRY 6', EURO.....	2
13	94745PGT	TOEBOARD,ENTRY EUROPEAN PNTD**.....	1
14	6091GT	NUT,NYLOCK,1/4-20	
15	6888GT	SCREW,HHC,1/4-20 X 1	
16	88606PGT	COVER,CONTROL BOX RIGHT SIDE**.....	1
17	6145GT	SCREW,HHC,1/4-20 X 1.5	
18	6356GT	WASHER,LOCK,.25	
19	5397GT	WASHER,FLAT,USS,5/16",Y	
20	35956GT	BRACKET,WORK LIGHT MOUNT 5/16".....	2
21	71498GT	WORKLIGHT, 12V, DEUTSCH RECEPT.....	2
--	10107GT	SCREW,HHC,5/16-18 X .75.....	2
--	160554GT	HARN,CABLE,WORK LIGHTS,Z45	
--	219685GT	HARNESS,RELAY,LIGHT PKG,Z45/51	
--	53517GT	GROMMET,RUBBER .5 X .014 X .75	
--	T114627GT	HARNESS,12V WORK LIGHTS	
22	30468GT	LATCH,SLIDE, FLUSH MOUNT STYLE.....	2
23	111526GT	HINGE,PLAT CONTROL BOX COVER...1	
24	54486GT	RIVET,ALUM,ALUM,3/16BUTTONHEAD	
25	43392GT	BUMPER,BATTERY BOX & RAILS.....	2

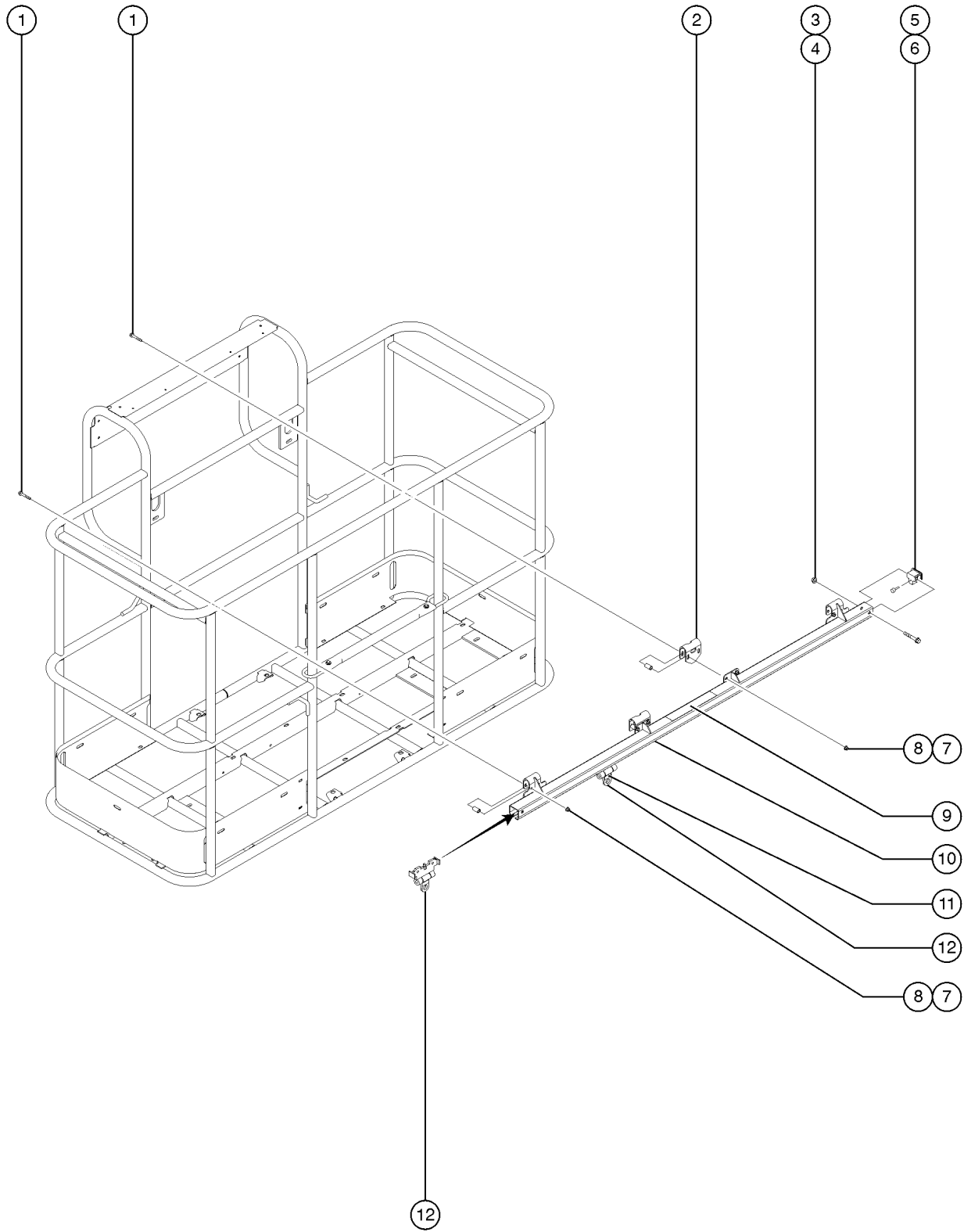
903.1 Airline to Platform



903.1 Airline to Platform

Item	Part No.	Description	Qty.
--		DECAL,LABEL,AIRLINE 110 PSI <i>refer to 101.1</i>	
--	110149GT	CABLE TIE,DFT MOUNT,BLK,6.5".....4	
1	4828GT	NUT,NYLOCK,3/8-16	
2	122755GT	UBOLT,FLATTENED,1.5DIAX3/8 UNC....1	
3	70642GT	BRACKET,AIR HOSE TO PLAT***1	
4	70644-75792GT	HOSE ASSY,3/8 STR FEM STR FEM*....1	
--	16073GT	CLAMP,0.63,#10 X 1/4,RUB CUSH	
5	13268GT	CLAMP,0.75,#12 X 1/4,RUB CUSH.....6	
6	45454GT	CLAMP,RUB CUSH,0.75,#12 X 3/8*6	
7	33278GT	WASHER,FLAT,.75 HARDENED.....2	
8	49212GT	FEMALE BULKHEAD CONNECTOR-8...2	
9	66031GT	CLAMP,1.88,#30 X 3/8,RUB CUSH.....2 <i>Jib models only</i>	
10	6091GT	NUT,NYLOCK,1/4-20 <i>Jib models only</i>	
11	6638GT	WASHER,FLAT,USS,1/4"Y <i>Jib models only</i>	
12	8915GT	SCREW,HHC,1/4-20 X 1.25 <i>Jib models only</i>	
13	128482GT	HOSE GUIDE, JIB.....1 <i>Jib models only</i>	
14	49214GT	MALE PIPE THD,1/4" SER,3/8"X18.....1	
15	49215GT	MPT,CPLR,1/4"SER,3/8"X18.....1	

904.1.Traveling Fall Arrest Anchor System



904.1.Traveling Fall Arrest Anchor System

Item	Part No.	Description	Qty.
1	1256856GT	SCREW,HHF,3/8-16X2.5,8,ZAG.....	4
2	1256389GT	FORMING,INNER HANGER.....	2
3	1251997GT	NUT,TL FLG,1/2-13,G,ZAG.....	2
4	1256851GT	SCREW,HHF,1/2-13X3.5,8,ZAG.....	2
5	1260892GT	END STOP. TFAAS TRACK.....	2
6	36388GT	BUMPER, RUBBER, .75 X .50H, STUD.....	2
7	824029GT	NUT,TL FLG,3/8-16,G,ZAG.....	8
8	1256481GT	SPACER, HANGER BRACKET.....	8
9A	1256400GT	DECAL,TFAAS TRACK,WORD.....	1
9B	1260910GT	DECAL,TFAAS TRACK,SYMBOL.....	1
9C	1256400FRGT	DECAL,TFAAS TRACK,WORD FR.....	1
10A	1256378GT	ACC,TFAAS FALL ARREST,6FT WORD.....	1
		<i>includes instructions and decals</i>	
--	1256380GT	ASSY,TFAAS TRACK,6FT WORD <i>includes decals</i>	
10B	1261023GT	ACC,TFAAS FALL ARREST,6FT SYM.....	1
		<i>includes instructions and decals</i>	
--	1261025GT	ASSY,TFAAS TRACK,6FT SYM <i>includes decals</i>	
10C	1261019GT	ACC,TFAAS FALL ARREST,6FT FR.....	1
		<i>includes instructions and decals</i>	
--	1261021GT	ASSY,TFAAS TRACK,6FT FR <i>includes decals</i>	
11	40434GT	DECAL, LANYARD ANCHORAGE POINT.....	1
12	1256439GT	TROLLEY, TFAAS TRACK.....	1

Part Number Index

The Part Number Index is a numeric index of all part numbers included in this manual. The index shows what page(s) the part is used on.

Part Number	Page	Part Number	Page	Part Number	Page	Part Number	Page
101005GT	79	111051GT	63	1274858GT	71	147090GT	39
101005HGT	79	111052GT	63	128000GT	79	147121GT	71
101006GT	49	111053GT	63	128001GT	79	147210GT	33
101010GT	41	111445GT	49	128004GT	51	147211GT	33
101055GT	84	111485PGT	101	128200GT	39	147212GT	33
10107GT	101	111526GT	101	128201GT	39	147223GT	35
101080GT	47	111668GT	51	128202GT	39, 73-74	147513GT	69
101114GT	84	111699GT	53	128203GT	73-74	160554GT	101
101129GT	51	112572GT	53	128204GT	39, 73-74	160681GT	47
101138GT	49	114248GT	21	128310GT	63	16073GT	103
101140GT	51	114249GT	17, 19	128311GT	63	160759GT	11
101174GT	79	114251GT	17	128423GT	89	160762GT	11
101174HGT	79	114252GT	17, 19	128450GT	65	160768GT	17
101175GT	79	114258GT	11	128454PGT	65	160770GT	17
101175HGT	79	114390GT	11, 13, 15	128482GT	103	161078GT	47
101212GT	59	114397GT	15	128483GT	65	161079GT	47
101213GT	61	119058GT	71	128510GT	65	161173GT	47
101277GT	83-84	119209GT	29	128578GT	39, 73-74	161534GT	81
101294GT	89	119210GT	29	128584GT	39, 73-74	1697-400GT	57
101490GT	35, 91	119403GT	37	128590GT	61	17712GT	33
101512GT	69	119404GT	37	128592GT	61	18503GT	49
101523GT	61	119536GT	65	128596GT	63	18596GT	23
101586GT	23, 27	119542GT	65	128597GT	63	18605GT	49
101726GT	35	119619GT	23, 25, 29	128601GT	61	18720GT	55, 59
101729GT	49, 51	119644GT	77	128724GT	65	19418GT	23
101775GT	59	119798GT	35	128862GT	63	19440GT	25
101815GT	33	119915GT	79	128995GT	61	19491GT	33, 61
101958GT	84	119966GT	27	128998GT	57	19506GT	39
101964GT	43	119993-4303GT	91	12906GT	43, 45	20224GT	83-84
102158GT	23	119993-4753GT	91	13000GT	53, 67	20912GT	23, 27
102785PGT	101	120240GT	49	13002GT	35, 49	21130GT	31, 51
102786PGT	101	121763GT	35, 37	13064GT	23, 27, 33, 53	21141GT	35
102992GT	71	121848GT	47, 69	13066GT	51, 89	214846GT	51
104030GT	74	122019GT	99	13268GT	41, 51, 73-74, 77, 103	214932GT	11, 17
104759GT	87	122073GT	101	133067GT	17, 19, 21	214933GT	15, 21
105092GT	43, 45	122148GT	81	133278GT	17, 19	21496GT	31
105214GT	35, 49, 53	122231GT	101	139099GT	97	215333GT	25
10597GT	29, 51, 59	122246GT	53	13918GT	25, 49, 51, 53, 61	215593GT	53
106069GT	43	122755GT	103	139241GT	45	21604GT	69
106098GT	23, 27	12343GT	41	139261-5900GT	43	216057GT	27
106117GT	23	123572GT	43	139330GT	23, 27	216205GT	29
106134GT	23, 27	125199GT	105	139338GT	74	216339GT	47
106163GT	67	1254826GT	51	139438GT	101	216340GT	49
106427GT	57	1255653GT	51	139598GT	79	216341GT	51
106835GT	89	1256378GT	105	139622GT	49	216342GT	89
106836GT	89	1256380GT	105	139624GT	49	216343GT	49
106837GT	89	1256389GT	105	139702GT	63	216740GT	47
106972GT	57	1256400FRGT	105	139709GT	49	216741GT	47
107588GT	55	1256400GT	105	139779GT	63	216742GT	47
107590GT	55	1256439GT	105	139804GT	39	216787GT	74
107727GT	55	1256481GT	105	139865GT	33	216791GT	41
10775GT	73-74	1256670GT	87	139955GT	43	216793GT	41
10777GT	73-74	1256851GT	105	139957GT	45	217190GT	23
107803GT	53	1256856GT	105	139960GT	35	217191GT	23
107805GT	53	1257049GT	23	139966GT	23, 27	217518GT	43
107813GT	89	1257050GT	23	139967GT	23, 27	217526GT	25
107814GT	89	1257483GT	71	139968GT	23, 27	217782GT	47
107815GT	89	1259374GT	49	139969GT	23, 27	217812GT	41
107816GT	83-84	1259375GT	49	139970GT	23, 27	217904GT	47
107842GT	89	1259704GT	101	139971GT	23, 27	217956GT	91
107859GT	55	1260892GT	105	139972GT	23, 27	217957GT	47
107881GT	57	1260910GT	105	139974GT	74	218044GT	95
110149GT	103	1261019GT	105	14033GT	29, 31, 35, 37, 55	218045GT	95
110160GT	47	1261021GT	105	14297GT	63	218090GT	39
110180GT	84	1261023GT	105	14392GT	77	218121GT	81
110194GT	81	1261025GT	105	144161GT	37	218127GT	81
110200GT	81	1261298GT	47	146264GT	23	218195GT	47
110305GT	57	1264307GT	11	146478GT	73-74	218196GT	47
110306GT	57	1266019GT	11	147011GT	37	218198GT	47
110307GT	57	1267746GT	71	147017GT	37	218221GT	49
110308GT	57	1267807GT	49, 53	147018GT	43	218445GT	73-74
110309GT	59	1268229GT	49, 53	147033GT	23, 27	218446GT	73-74
110345GT	35	1269501GT	79	147034GT	23, 27	218449GT	37, 41
110671GT	67	1272303	71	147067GT	33, 53	218451GT	39
110789GT	69	1272307GT	71			218454GT	47

Part Number	Page	Part Number	Page	Part Number	Page	Part Number	Page
218455GT	47	237688GT	57, 59	36198GT	25	48977GT	91
218466GT	37	237703GT	25	36294GT	63, 67	48978GT	91
218506GT	47	237790GT	33	36388GT	105	48983GT	91
218530GT	77	237914GT	23	36899GT	47	48984GT	91
218549GT	15	237915GT	23	39346GT	83-84	48996GT	91
218550GT	15	238199GT	35	39540GT	39	48997GT	83-84
218551GT	15	238345GT	31	40434GT	15, 21, 105	48999GT	91
218555GT	15	238388GT	35	42502GT	61	49116-8737GT	95
218559GT	15	24040GT	49, 51	42646GT	41	49117-14391GT	93
218657GT	47	24514GT	71	4266GT	31, 53	49117-2191GT	95
218684GT	47	25068GT	33	42781GT	77	49117-2591GT	95
218685GT	47	25284GT	25, 53, 59	42941-75GT	57	49117-4991GT	95
218759GT	39	25388GT	37	43018GT	84, 87	49117-5191GT	95
218781GT	47	25548GT	51	43392GT	101	49117-5591GT	95
219079GT	45	25683GT	25, 65	43683GT	89	49117-5691GT	91
219080GT	43	25685GT	69	43956GT	37	49118-2508GT	91
219305GT	47	25817GT	23, 25	43960-6950GT	71	49119-20578GT	97
219350GT	35	25926GT	51	43960GT	57	49119-21878GT	97
219353GT	53	27126GT	53	44168GT	83-84	49119-2278GT	93
219425GT	81	27204GT	11, 17	44174GT	87	49119-36178GT	93
219436GT	83-84	27205GT	13, 19	44178GT	83-84	49119-37678GT	93
219483GT	11, 13, 17, 19	27206GT	11, 13, 17, 19	44216GT	84	49119-38578GT	93
219484GT	11, 13	27207GT	11, 13, 17, 19	44224GT	83-84	49119-39378GT	93
219486GT	11	27246GT	39, 73-74	44225GT	83-84	49119-4178GT	97
219487GT	15	27807GT	81	44227GT	83-84	49119-4878GT	91
219488GT	11, 17, 19	27836GT	81	44228GT	83-84	49119-5478GT	95
219638GT	11	28159GT	11, 17	44229GT	83-84	49119-5578GT	95
219668GT	49	28174GT	11, 15, 17, 21	44235GT	84	49119-6078GT	95
219670GT	47	28175GT	13	44743GT	71	49119-6278GT	95
219672GT	47	28176GT	15	44981GT	11, 15, 17, 21	49119-7078GT	95
219673GT	47	28235GT	11, 15, 17, 21	45071GT	55	49120-13081GT	91
219683GT	47	28236GT	15	45074GT	23	49120-35381GT	93
219684GT	47, 101	28678-2250GT	97	45226GT	25, 29, 59, 61, 65	49121-2088GT	97
219685GT	47, 101	29080GT	61	45363GT	35, 53	49121-27788GT	97
219843GT	47	29559GT	49	45383GT	73-74	49126-3433GT	95
219952GT	17	29560GT	51	45385GT	39	49141-2463GT	91
219954GT	21	29868GT	35	45435GT	49	49141-6763GT	91
219956GT	21	29883GT	53	45454GT	103	49183-11492GT	91
219957GT	21	30138GT	61	45708GT	53	49212GT	103
219958GT	21	30143GT	53	45748GT	69	49214GT	103
219991GT	51	30144GT	53	46018GT	87	49215GT	103
219993GT	95	30221GT	59	47092GT	83-84	49378GT	49
220234GT	47	30222GT	65, 67	4828GT	25, 29, 33, 35, 37, 43, 45, 49, 51, 53, 55, 59, 63, 65, 69, 71, 73-74, 103	49407GT	51
220255GT	33	30255GT	61, 65			49408GT	49
22558GT	49, 51	30370GT	59			49411GT	49, 51
22578GT	51	30418GT	55, 59			49418GT	95
226393GT	99	30468GT	101			49768GT	31
22699GT	51, 89	30785-400GT	31	48425GT	43	49772GT	57
22700GT	51	30794GT	47	48767-2000GT	91	49775GT	57
227564GT	71	30971GT	49	48767-700GT	97	49816GT	35, 53
227614GT	95	30996GT	77	48773-2000GT	91	49817GT	99
227617GT	47, 71	31060GT	11, 13	48773-2800GT	91	49818GT	77
22788GT	53	31523GT	51	48885GT	91	49819GT	77
228779GT	71	31788GT	13	48890GT	93, 97	49924GT	51
229567GT	39, 73-74	32681GT	31	48904GT	33, 91, 95, 97	50455GT	55
230849GT	23, 27	32695GT	49	48905GT	91, 93, 95, 97	50466GT	65
231037GT	81	33239GT	51	48906GT	91	50479-SGT	57
231563GT	43	33277GT	49	48907GT	97	50480GT	65
231597GT	45	33278GT	67, 103	48908GT	95	50517-SGT	57
231601GT	43	33550GT	15, 21	48909GT	95	50519GT	33
232081GT	25	33555GT	43, 45	48911GT	91, 95	50542GT	59
232092GT	29	33629GT	73-74	48912GT	83-84, 91, 93, 95	50543GT	65
232575GT	97	33724GT	73-74	48914GT	95	50546GT	61, 65
233715GT	67	33988GT	89	48916GT	91	50548PGT	57
233745GT	67	34052GT	41, 77	48917GT	93	50552GT	61
23404GT	39, 41, 74	34053GT	41, 77	48918GT	91	50570GT	37
235642GT	29	34054GT	41	48930GT	95	50584GT	61
235643GT	37	34055GT	41	48932GT	91, 95	50698GT	61
235645GT	49, 51	34125GT	61	48933GT	91, 95	50742GT	25
235649GT	53	34276GT	59	48936GT	95	50787GT	51
235654GT	49, 53	34619GT	37, 69	48937GT	95	50952-SGT	57
236278GT	81	35461GT	73-74, 89	48946GT	91	50974GT	35, 53
237235GT	81	35499GT	49	48947GT	91, 95	51063GT	33
237236GT	81	35586GT	51	48948GT	91, 95	5224GT	65
237568GT	23	35675GT	65	48949GT	91	52369GT	83-84
237569GT	23	35956GT	101	48960GT	91	52371GT	83-84, 87

Part Number Index (continued)

Part Number	Page	Part Number	Page	Part Number	Page	Part Number	Page
52475GT	11, 13, 17, 19		57, 61, 63, 65,	70375GT	49	77788GT	89
52726GT	81		67, 69, 89, 101,	70376GT	49	78736GT	25, 43, 89
52897GT	87		103	70381GT	51	79456GT	61, 65
52906GT	83-84	6095GT	33, 49, 51, 53, 57	70385GT	49	80391GT	49
52907GT	83-84	6097GT	35, 37, 51, 53,	70452GT	49	80605GT	69
52969GT	11, 17		57, 69	70460GT	51	81013GT	89
53517GT	101	61110GT	51	70461GT	49	81096GT	73-74
5365GT	31, 51, 69	61143-3263GT	95	70534GT	59	81175GT	65
53952GT	49	61143-8063GT	91	7056GT	37, 73-74	81458GT	73-74
5397GT	25, 29, 31, 33,	61306-SGT	65	70642GT	103	81488GT	73-74
	35, 37, 41, 43,	6145GT	53, 65, 89, 101	70644-75792GT	103	81550GT	77
	49, 53, 59, 61,	6146GT	31, 33, 35, 41,	70671GT	59	81551GT	77
	63, 67, 71, 73- 74, 101		53, 69, 99	70685PGT	57	81570GT	73-74
54063GT	61, 83-84	61726GT	69	71498GT	101	81640GT	43, 65
54065GT	65	6175GT	25, 35, 49, 53,	72086GT	11, 13, 17, 19	81669GT	89
54156GT	55		57, 59	72282GT	99	81691GT	31
54157GT	61	6178GT	33, 35, 41, 53,	72326GT	73-74	8177GT	33, 55, 57, 59, 89
54204GT	35		57, 61, 73-74,	72999GT	11	81812-4892GT	95
54239GT	61	61972GT	69	73477PGT	71	81834GT	37
54271GT	63	61974GT	69	73574-SGT	71	81900GT	39
54322GT	43, 45	61975GT	69	73575GT	71	82161GT	11
54324GT	35	61987GT	69	73587GT	71	82240GT	19
54325GT	35	6198GT	33, 49, 51, 53	73610P-SGT	71	82243GT	15
54333GT	35	61998GT	69	73634GT	69	82366GT	11
54365GT	41, 73-74, 77	62252GT	81	73739GT	71	824029GT	105
54432GT	53	62324GT	83-84	73805GT	39	824050GT	33
54437GT	35	62337GT	83-84	73807GT	87	824051GT	33
54486GT	101	62341GT	83-84	73900GT	71	824052GT	33
54510-SGT	67	62346GT	83-84	74052GT	73-74	824164GT	61, 65
54534GT	41	62392GT	79	74254GT	53	82431GT	89
54542GT	25, 29	62420GT	49	74389GT	25	82473GT	19
54567GT	25	62506GT	87	74902GT	81	82481GT	19
54627GT	27	62507GT	87	74913GT	41	824878GT	73-74
54817P-SGT	71	6272GT	41, 77	74917GT	41	824879GT	39, 73-74
54994GT	65	62815GT	83-84	75073GT	43, 45	82487GT	17, 21
55067GT	67	62948GT	13, 19	75076GT	35, 43, 45	8255GT	23, 33, 35, 59,
55753GT	59, 101	63375GT	73-74	75278-2629GT	91		61, 65
56053GT	41	63463GT	49	75443GT	79	825796GT	23
56055GT	41	6356GT	23, 37, 39, 41,	75444GT	79	826779GT	83-84
56057GT	41		43, 65, 67, 101	75445GT	79	83093GT	39
56286GT	49	65737GT	37	75446GT	79	83098GT	79
56424GT	71	65789GT	65	75447GT	79	83131GT	39
56445GT	47	65791GT	25	75448GT	79	8357GT	49, 51
56663GT	77	65810GT	49	75449GT	79	84135GT	81
56680GT	33	65849GT	49	75574GT	95	84137GT	81
56704GT	99	6584GT	31, 51	76450GT	61	8516GT	37, 43, 49, 59, 65
56849GT	57	66031GT	103	77014GT	59	85239GT	39
56912GT	25, 29, 43, 45,	6607GT	41	77051GT	67	87684GT	43, 45
	49, 65, 71	6637GT	43, 57, 61	77066GT	35	88203GT	55
56925GT	67	6638GT	25, 27, 29, 31,	77069GT	35	88296GT	23, 27
56994GT	41		35, 37, 39, 43,	77070GT	35	88315GT	41
57075GT	73-74		45, 49, 51, 53,	77071GT	35	88356-11103GT	33
58222GT	49, 53		57, 61, 63, 65,	77072GT	35	88356-11163GT	57
58223GT	49, 53		67, 71, 74, 89,	77103-3600GT	93	88356-11205GT	57, 61
58380GT	49, 53		101, 103	77103-4800GT	93	88370PGT	57
58415GT	49	6666GT	37	7713GT	57	88516GT	67
58431GT	89	66812GT	39, 73-74	77162GT	81	88606PGT	101
58490GT	35	66813GT	39, 73-74	77181GT	65, 67	88607PGT	101
6002GT	43, 45	66814GT	39	77186GT	81	88635-3724GT	91
6019GT	35, 37, 43, 53,	66815GT	73-74	77245GT	51	88676GT	55, 59
	61, 71, 74	66816GT	39, 73-74	77246GT	33	88725GT	47
6021GT	25, 29, 31, 33,	66818GT	39, 73-74	77303GT	55	88917GT	35
	35, 43, 53, 57,	66856GT	89	77311-7156GT	95	88957GT	89
	59, 61, 65	6708GT	25, 29	77353GT	35	89065GT	25
60334GT	49, 53	67631GT	51	77354GT	35	89066GT	25
6033GT	29, 55, 57, 59	6782GT	35, 53, 67	77362GT	59	8914GT	57
6036GT	53	6833GT	57	77363GT	65	8915GT	49, 103
60857GT	49, 53	6878GT	63	77364GT	59, 65	89554-2913GT	95
6090GT	39, 41, 43, 45,	6884GT	25	77365GT	35	89575GT	41
	49, 53, 67, 71,	6888GT	23, 25, 27, 29,	77398GT	11	89756GT	33, 57
	74, 101		35, 37, 43, 45,	77399GT	11, 13	89781GT	51
6091GT	25, 31, 35, 41,		51, 57, 63, 65,	77402GT	51	89862GT	87
	43, 45, 51, 53,		69, 71, 101	77409GT	25	89863GT	83-84
		6889GT	27, 101	77410GT	61	89864GT	87
		6935GT	37, 73-74	7746PGT	101	94195GT	67
				77521GT	55	94374-10330GT	91

Part Number	Page
94464-2786GT	95
94485GT	51
94506GT	39, 73-74
94526GT	35
94529GT	57
94531PGT	57
94612GT	35
94614GT	83-84
94616GT	83-84
94618GT	84
94643GT	69, 91
94745PGT	101
9599-SGT	101
96008-SGT	39
97128GT	33, 57, 61
97548GT	13
97602GT	13
97815GT	15, 21
97870GT	11, 17
99346GT	53
T107883GT	65
T107884GT	65
T108075GT	65
T112563GT	73-74
T112626GT	79
T112773GT	15, 21
T114627GT	47, 101

Part Description Index

The Part Description Index is an alphabetical index of all part descriptions included in this manual. The index shows what page(s) the part is used on.

A

ACC,TFAAS FALL ARREST,6FT FR.....105
 ACC,TFAAS FALL ARREST,6FT SYM.....105
 ACC,TFAAS FALL ARREST,6FT WORD.....105
 AIR CLEANER,NELSON***.....49
 ALARM,STEADY TONE***.....39
 ALARM,WARBLE TONE 5-30 VDC***.....73-74
 ALTERNATOR, DEUTZ F3L10/F4L10*.....51
 ANGLE,RELAY MNT,W/NUTSERTS,PNT.....41
 ASSEMBLY, MED. PRESS. FILTER.....49, 53
 ASSEMBLY, YOKE, LH, Z-45 4WD.....23
 ASSEMBLY, YOKE, RH, Z-45 4WD.....23
 ASSEMBLY,FOOT SWITCH.....47, 71
 ASSEMBLY,GBOX,Z45 DIESEL.....39
 ASSEMBLY,HYDRAULIC TANK.....35
 ASSEMBLY,PBOX,Z45 DIESEL.....73-74
 ASSEMBLY,PLATFORM CONTROL BOX.....73-74
 ASSY, DECAL PLATE, Z45/51 IC.....71
 ASSY, SIDE SWING GATE.....71
 ASSY,120V COLD WEATHER PKG.....47
 ASSY,240V COLD WEATHER PKG.....47
 ASSY,6' PLAT WELDMENT W/SIDE GATE.....71
 ASSY,6FT PLAT DUAL LG, BLANK W/SIDE SWING GATE.....71
 ASSY,ALC500 HEATER,Z45/Z51.....47
 ASSY,FUSE BLOCK,LMI, 1 POLE.....49
 ASSY,LS,LOAD SENSE,38.5 IN.....47, 69
 ASSY,PCB ALC500 Z45-2012 V100.....77
 ASSY,RELAY SOCKET, AUTO.....41, 77
 ASSY,TERMINAL RAIL, Z45IC.....41
 ASSY,TFAAS TRACK,6FT FR.....105
 ASSY,TFAAS TRACK,6FT SYM.....105
 ASSY,TFAAS TRACK,6FT WORD.....105
 AUX TOP RAIL,6FT,PTD.....101

B

BACKING PLATE, HOSE BLOCK, JIB.....65
 BACKING PLATE, PULLTUBE.....63
 BAFFLE, AIR CLEANER (27915)**.....49
 BALL STUD**.....43, 45
 BAR,AXLE ROTATION STOP.....29
 BASE, W/1 N.O. CONTACTS***.....73-74
 BASE,W/2 NC CONTACTS***.....39
 BASE,W/3 NC CONTACTS.....39, 73-74
 BASE,WITH 2 N.O. CONTACTS***.....39
 BATTERY CABLE,NEGATIVE,APU.....47
 BATTERY CABLE,NEGATIVE,BLACK.....47
 BATTERY CABLE,POSITIVE,RED.....47
 BATTERY HOLD DOWN,GROUP 31.....53
 BATTERY,12V,1000 CCA GRP 31.....53
 BEARING KIT,OMNI***.....23, 27
 BEARING, 1.5IDX1.75ODX2.00L.....23
 BEARING,1.00IDX1.25ODX1.00L.....23, 25
 BEARING,1.25IDX1.5ODX1.00L.....59
 BEARING,1.5IDX1.75ODX1.5L.....55
 BEARING,1.5IDX1.75ODX1.5L,PTFE.....23, 25, 29
 BEARING,1.75IDX2.00ODX1.50LG.....59
 BEARING,2.0IDX2.25ODX1.50L.....55, 59
 BEARING,FL,1.25IDX1.41ODX1.50L.....65, 67
 BEARING,FL,1.25IDX1.5ODX1.25L.....65
 BEARING,FL,1.5IDX1.75ODX1.10LG.....55
 BEARING,GARLOCK,12FDU12.....69

BEARING,POLYGON,20DU12.....25, 65
 BEARING,SWING CHASSIS.....33
 BOLT,CARRIAGE,1/4-20 X .75,G2.....63
 BOLT,CARRIAGE,1/4-20 X 1.00,G2.....61, 65
 BOLT,CARRIAGE,1/4-20 X 2.75,G2.....65
 BOLT,CARRIAGE,3/8-16X1.25,GR5.....43, 45
 BOLT,CARRIAGE,3/8-16X1.75.....53
 BOOT(BELLOWS),E-STOP,BLACK.....73-74
 BOOT, ROCKER JOYSTICK 75565.....79
 BOOT,JOYSTICK.....79
 BOOT,PLUG 4 WAY.....71
 BOOT,TOGGLE SWITCH,SHORT*.....39, 73-74
 BOX,INSTRUCTION STORAGE.....71
 BRACKET,AIR HOSE TO PLAT***.....103
 BRACKET,BATTERY CABLE.....43
 BRACKET,BATTERY MOUNT.....33, 53
 BRACKET,BOX.....87
 BRACKET,CONTROL BOX MOUNTING.....37
 BRACKET,DRIVE SENSOR,ENABLE.....33
 BRACKET,HOSE CLAMP PAINTED***.....57
 BRACKET,HOSE CLAMP***.....65
 BRACKET,MUFFLER,DEUTZ 3 CYL***.....49
 BRACKET,PBOX WIRE SUPPORT.....77
 BRACKET,POWER TO PLAT, DOM.....73-74
 BRACKET,POWER TO PLAT, UK.....73-74
 BRACKET,PUMP MOUNTING.....89
 BRACKET,SOLENOID MOUNT.....51
 BRACKET,SOLENOID MOUNT BRACE**.....51
 BRACKET,WORK LIGHT MOUNT 5/16".....101
 BRAKE KIT, SWING DRIVE.....33
 BREATHER CAP,RFM165.....35
 BRKT,AIR CLEANER ORIENTATION**.....49
 BULKHEAD, COOLING AIR.....43
 BULKHEAD, ENGINE SIDE.....43
 BULKHEAD,TANK SIDE.....37
 BUMPER, PLASTIC, 1.25 O.D.....59, 101
 BUMPER, RUBBER, .75 X .50H, STUD.....105
 BUMPER,BATTERY BOX & RAILS.....101
 BUMPER,RUBBER***.....37, 69
 BUMPER,RUBBER,COVERS.....35, 53
 BUTTON,PUSH,BLACK W/SEAL ***.....39, 73-74
 BUTTON,PUSH,RED MUSHROOM HEAD.....39, 73-74

C

CABLE TIE MOUNT, WINGED.....35, 49, 53
 CABLE TIE,DFT MOUNT,BLK,6.5".....103
 CABLE TRACK, NP400, 23 LINK.....63
 CAP,DISENGAGE,OMNI***.....23, 27
 CAP,FUEL,DIESEL,1/8"VENT(GRN).....35
 CHECK VALVE KIT,77066.....35
 CHECK VALVE,BALL TYPE,NORMAL.....81
 CIRCUIT BREAKER, 15A.....39
 CLAMP, JIB HOSE/CABLE, Z45/51.....63
 CLAMP, PRI, HOSE/CABLE, Z45/51.....61
 CLAMP,0.50,#8 X 1/4,RUB CUSH.....57
 CLAMP,0.63,#10 X 1/4,RUB CUSH.....103
 CLAMP,0.75,#12 X 1/4,RUB CUSH.....41, 51, 73-74, 77, 103
 CLAMP,1.25X.5 RUBBER-CUSHION.....71
 CLAMP,1.63,#26 X 3/8,RUB CUSH.....65, 67
 CLAMP,1.88,#30 X 3/8,RUB CUSH.....103
 CLAMP,2 HOSE,PLASTIC,5/8.....25, 43, 89
 CLAMP,EXHAUST,2.00 PLATED.....49

CLAMP,HOSE,2.50"***.....49
 CLAMP,HOSE,3.00".....49
 CLAMP,HOSE,8.50 DIA***.....51
 CLAMP,JIB HOSE/CABLE,Z45/51.....65
 CLAMP,RUB CUSH,0.75,#12 X 3/8*.....103
 CLAMP,TWO HOSE.....65
 CLAMPING BLOCK, CABLE, Z45/51.....57
 CLAMPING BLOCK,HOSE***.....57
 CLEVIS YOKE-1/4-28,PLTD W/PIN.....31, 51
 CLIP, METAL MOUNTING.....53
 CLIP,AIR CLEANER END CAP***.....49
 COIL,10V DC,DEUTCH W/DIODE***.....83-84
 COIL,12VDC #8 DTSCH IP69 ECOIL.....87
 COIL,DUAL,12V DEUT,49CC PUMP**.....89
 COIL,SOLENOID VALVE,20W.....81
 COLLAR,JOYSTICK,CENTER.....79
 COMPR.LINK,MACHINED,GND CONTR*.....65
 CONN PLUG 4 WAY ENDCAP DT.....71
 CONN, 520120-16.....91
 CONN, 520120-8***.....91, 95
 CONN,520120-12-16.....91
 CONN,520120-4***.....91, 93, 95, 97
 CONN,520120-4-6***.....83-84, 91, 93, 95
 CONN,520120-4-8.....95
 CONN,520120-6-8.....95
 CONN,520120-8-10.....91
 CONN,520120-8-12.....91, 95
 CONN,520120-8-16.....91
 CONN,LONG,520122-6.....93
 CONN,PLUG 120 AC/15A DOMESTIC.....37
 CONN,RECEP 120AC/15A DOMESTIC.....37
 CONN,SQUEEZE,1/2NPT .38-.50,SM.....37, 73-74
 CONN.SQZ,PG 11,.23-.30,W/ORING.....61
 CONNECTING LINK, Z45/25.....57
 CONNECTOR KIT, DEUTZ**.....49
 CONNECTOR,BULKHEAD,FEMALE-4.....91
 CONTACT,N.O.....39, 73-74
 CONTACT,NC.....39, 73-74
 CONTACTOR,LIMIT SWITCH.....33, 61
 CONTROL BOX COVER,LID,PTD.....101
 CONTROLLER W/O COILS (77788).....89
 COUPLER,15 TOOTH,FBA,SAE8***.....51
 COVER, CABLETRACK TRAY, Z51.....63
 COVER, DRIVE CHASSIS, FRONT.....25
 COVER, DRIVE CHASSIS, REAR.....29
 COVER, FOOT SWITCH, LARGE.....71
 COVER, JIB HOSES/CABLES.....65
 COVER, REAR AXLE, METRIC Z45.....27
 COVER, TANK SIDE.....45
 COVER, UPPER PIVOT.....57, 59
 COVER,BLANK.....73-74
 COVER,CENTER SWING CHASSIS.....37
 COVER,CONTROL BOX LEFT SIDE***.....101
 COVER,CONTROL BOX RIGHT SIDE**.....101
 COVER,ENGINE SIDE.....43
 COVER,FLYWHEEL CASTING.....51
 CYLINDER,ELEVATE,Z45/25***.....55
 CYLINDER,JIB,Z45,#4 PORTS***.....65
 CYLINDER,MASTER,Z45***.....59
 CYLINDER,OSCILLATE,Z45***.....25
 CYLINDER,PRIMARY BOOM LIFT.....59
 CYLINDER,PRIMARY EXTENSION.....61
 CYLINDER,SLAVE,Z45***.....65
 CYLINDER,STEER***.....25

D

DECAL FAULT CODE.....15
 DECAL KIT,Z45 COMP,SYM,CE.....17
 DECAL KIT,Z45 COMP,WRD,AUS.....11
 DECAL KIT,Z45 PLAT,SYM,CE.....17
 DECAL KIT,Z45&Z51 PLAT,WRD,AUS.....11
 DECAL PLATE ASSEMBLY.....71
 DECAL, LABEL - CHEVRON RANDO.....11
 DECAL, LABEL, SHELL TELLUS.....11
 DECAL, LANYARD ANCHORAGE POINT.....15, 21, 105
 DECAL, POWER TO PLATFORM 115V**.....11, 15, 17, 21
 DECAL, POWER TO PLATFORM 230V**.....11, 15, 17, 21
 DECAL,ARROW BLUE.....11, 17
 DECAL,ARROW YELLOW LRG 9".....13, 19
 D E C A L , C O S M E T I C , G E N I E BOOM,HORZ.....11, 17
 DECAL,COSMETIC,GENIE Z-51/30J.....11, 17
 DECAL,COSMETIC,IC POWER 4 X 4.....13, 19
 DECAL,DANGER DO NOT ALTER SWTC.....11, 13
 DECAL,DANGER,BATTERY SAFETY***.....13
 DECAL,DANGER,CAP,ANSI WORD.....15
 DECAL,DANGER,CAP,ANSI WORD 440.....15
 DECAL,DANGER,CAP,AUS WORD.....15
 DECAL,DANGER,ELEC.HAZ.STAY CLR.....17, 19, 21
 DECAL,DANGER,ELECT HAZARD***.....11, 13, 15
 DECAL,DANGER.NO SMOKING.....11
 DECAL,DANGER,TILT ALARM.....15
 DECAL,DANGER,TIP,FOAM TIRES.....11, 13
 DECAL,DANGER/WARNING COMBO.....15
 DECAL,DIESEL.....11, 17
 DECAL,EMERGENCY LOWERING.....17
 DECAL,ENGINE SPEC,DEUTZ 2011.....13
 DECAL,ENGINE SPEC,PERKINS***.....11
 DECAL,GROUND CONTROL PANEL.....11, 17
 DECAL,LABEL,105 DB.....19
 DECAL,LABEL,AIRLINE 110 PSI.....11, 15, 17, 21, 103
 DECAL,LABEL,LIFTING EYE.....11, 13, 17, 19
 DECAL,LABEL,LOWER MIDRAIL.....15, 21
 DECAL,LABEL,MANUAL NOT HERE.....15
 DECAL,LABEL,NO SMOKING,SYMB.....17
 DECAL,LABEL,RELAYS,Z45IC,Z51.....11
 DECAL,LABEL,TIP OVER LMT SWTCH.....17, 19
 DECAL,LABEL,TIPOVER,TILT AL SY.....21
 DECAL,LABEL,TIPOVER,TIRES,SYMB.....17, 19
 DECAL,LABEL,TRANSPORT TIEDOWN*.....11, 13, 17, 19
 DECAL,LABEL,UCON HYDROLUBE.....11
 DECAL,LABEL,WHEEL LOAD Z-51.....11, 13, 17, 19
 DECAL,LOW/ULTRA LOW SULFR FUEL.....11
 DECAL,NOTICE,DEUTZ ENG SPECST2.....35
 DECAL,NOTICE,PERKINS ENG SPEC*.....13
 DECAL,OP INST,GROUND,AUS.....11
 DECAL,PLATFORM CONTROL PANEL.....15, 21
 DECAL,PLATFORM OVERLOAD.....15, 21
 DECAL,RUNAWAY HAZARD.....21
 DECAL,SYMBOL-BATTERY SAFETY.....19
 DECAL,SYMBOL-COMP ACCESS.....19

DECAL,SYMBOL-READ THE MANUAL.....17, 21
 DECAL,TFAAS TRACK,SYMBOL.....105
 DECAL,TFAAS TRACK,WORD.....105
 DECAL,TFAAS TRACK,WORD FR.....105
 DECAL,TIP-OVER HAZARD,CE.....21
 DECAL,TIP-OVER,CRUSH.....21
 DECAL,TIRE SEALANT,1.5 X 1.5.....11, 13
 DECAL,TIRE SEALANT,3.25 X 7.5.....11
 DECAL,TRANSPORT/LIFT DIAGRAM.....11, 17, 19
 DECAL,TRIANGLE,BLUE.....11, 13, 17, 19
 DECAL,TRIANGLE,YELLOW.....11, 13, 17, 19
 DECAL,WARN,IMPROPER OPERATION.....15
 DECAL,WARNING,RUNAWAY MACHINE.....15
 DECAL,WARNING-COMPART ACCESS.....13
 DIAGNOSTIC FEMALE Q-DSCNT.....83-84
 DIN RAIL,11.25".....41
 DIODE,6 AMP 200 PIV,REEL.....47
 DIPSTICK, OIL (DEUTZ 2011F)***.....51

E

EAR, ENGINE TRAY PIVOT.....53
 ELBOW,45D,520320-12-16.....91
 ELBOW,45D,520320-4.....97
 ELBOW,45D,520320-8.....95
 ELBOW,90D,520220-16.....91
 ELBOW,90D,520220-4-4.....33, 91, 95, 97
 ELBOW,90D,520220-4-6***.....91, 95
 ELBOW,90D,520220-8-12.....91, 95
 ELEMENT-5 MIC, PAPER, W/BYPASS.....49, 53
 END STOP, DIN RAIL, SCREW CLAMP.....41
 END STOP, TFAAS TRACK.....105
 EXHAUST PIPE, DEUTZ 3 CYL DSL.....49

F

FEMALE BULKHEAD CONNECTOR-8.....103
 FILTER ASSY,HIGH PRESS SAE-12*.....49, 53
 FILTER ASSY,INTANK.....35
 FILTER ASY,M PRESS,SAE8,WOIND* (77139).....49, 53
 FILTER INDICATOR-(60334).....49, 53
 FILTER LID,RFM165.....35
 FILTER,AIR***.....49
 FILTER,ELEMENT,BETA(10)=200.....35
 FILTER,ELEMENT,BETA(5)=1000.....49, 53
 FILTER,FUEL/WTR SEP, DTZ 1008.....51
 FILTER,OIL,DEUTZ F4L1011F.....51
 FILTER,OIL,DEUTZ,REPLACEMENT.....51
 FITTING,BULKHEAD,1/4NPT,FUELTK.....35
 FITTING,BULKHEAD,3/8NPT,FUELTK.....35
 FITTING,CONN,520120-12.....91
 FITTING,CONN,520120-6.....91
 FITTING,ELBOW,45D,520320-4-6**.....95
 FITTING,ELBOW,90D,520220-8***.....91, 95
 FITTING,TEE,BRANCH,520429-4***.....93, 97
 FITTING,TEE,RUN,SWIVEL520432-4.....95
 FLASHTUBE,STRAIGHT,360DEG,BULB.....99
 FLASHTUBE,U SHAPED,360DEG,BULB.....99
 FLOORING, 6'FT PLATFORM.....71
 FLOORING, 72X30 PLATFORM.....71
 FOOT SWITCH,20A IP65.....71
 FORM,DEUTZ AIR INTAKE BAFFLE.....49, 51
 FORMING, AUX. CABLE , HOSE BRK.....35
 FORMING, BRACKET, OSC VALVE.....31
 FORMING, ENGINE COVER LATCH.....53
 FORMING, FRONT AXLE BRK.....25

FORMING, FUEL LINE BRACKET.....53
 FORMING, HOSE CLAMP RETAINER.....61
 FORMING, HOSE CLAMP, PAINTED.....57
 FORMING, UPPER FUEL TANK BRK.....35
 FORMING,CABLE GUIDE.....67
 FORMING,ENGINE MOUNT,FL***.....49
 FORMING,ENGINE MOUNT,FR***.....51
 FORMING,FUEL PRES.REG MNT.....53
 FORMING,INNER HANGER.....105
 FORMING,LATCH,CTRL BOX LID PTD.....101
 FORMING,OIL FILTER BRACKET.....49, 53
 FORMING,REAR ENGINE MOUNT.....51
 FUEL FILTER W/SEP,DEUTZ,1008.....51
 FUEL TANK ASSY, 17 GAL PLASTIC.....35
 FUSE,13 AMP,220V PLUG***.....37

G

GASKET, UK POWER TO PLAT.....73-74
 GASKET,COVER,GFCI,WEATHERPROOF.73-74
 GASKET,EXHAUST.....49
 GASKET,GROUND CONTROL BOX.....39
 GASKET,PLATFORM CONTROL BOX.....73-74
 GASKET,RETURN FILTER-77353.....35
 GAUGE-SIGHT,LHA-LGTB***.....35
 GROMMET,RUBBER .25 X .50"OD.....41
 GROMMET,RUBBER .5 X .014 X .75.....101
 GROMMET,RUBBER 3 X .19 X 3.5.....67
 GROUND CONTROL BOX.....39
 GUIDE RING,STANDARD.....49

H

HARN 12/3 CABLE2 Z51 PWR/PLAT.....47
 HARN BRAKE-MS ADAPTER CABLE.....47
 HARN CONTROL CABLE1,Z51PIN.....47
 HARN CONTROL CABLE3,Z51.....47
 HARN DEUTZ ENGINE Z45-2012.....47
 HARN, FUNCTION MANIFOLD,Z45IC.....47
 HARN,2ND GLOW PLUG,DTZ.....47
 HARN,CABLE,WORK LIGHTS,Z45.....101
 HARN,CABLE,WORK LIGHTS,Z51.....47
 HARN,DRIVE LIGHTS,Z45/Z51.....47, 101
 HARN,JIB OPTION,PBOX,Z45/Z51.....47
 HARN,JUMPER,LOAD SENSE,PBOX.....47
 HARN,LIFT/DRIVE CUTOUT,Z45/Z51.....47
 HARN,SWING CHASSIS,Z45IC/Z51.....47
 HARNESS ASSY,WCON,PLAT PRTY.....47
 HARNESS,12V WORK LIGHTS.....47, 101
 HARNESS,GAUGE,Z45/51.....47
 HARNESS,GBOX,Z45IC.....47
 HARNESS,GENERATOR,PBOX,Z45/51.....47
 HARNESS,JIB SELECT MANIFOLD.....47
 HARNESS,JOYSTICK.....47
 HARNESS,JUMPER,LOAD SENSE,GBOX.....47
 HARNESS,LS EXTEND PIGTAIL.....47
 HARNESS,LS SEC UP/DOWN.....47
 HARNESS,LS,D.E. Z45.....47
 HARNESS,LS,PRIM/EXT.....47
 HARNESS,PBOX,Z45IC.....47
 HARNESS,RELAY,GBOX,Z45IC.....47
 HARNESS,RELAY,LIGHT PKG,Z45/51.....47, 101
 HARNESS,RELAY,OIL COOLER.....47
 HEAT SHIELD,DEUTZ STARTER.....49
 HINGE,.375X.120THK.,SLOTTED.....43, 45
 HINGE,PLAT CONTROL BOX COVER.....101
 HOLE PLUG, 3 IN.....43

Part Description Index (continued)

HOOK,BATT HOLD DOWN,10".....53
 HOSE ASM-JCAF310-06-41.....89
 HOSE ASSEMBLY,1/4".....91
 HOSE ASSY 1",STR FEM,STR FEM.....91
 HOSE ASSY 1/4, STR FEM,STR FEM.....93
 HOSE ASSY 1/4,STR FEM,PIPETHRE91
 HOSE ASSY 1/4,STR FEM,STR MALE.....97
 HOSE ASSY, 1/4", 21.24".....97
 HOSE ASSY, 1/4", 22.00".....97
 HOSE ASSY, 3/8" STR M,90 FM***95
 HOSE ASSY, 3/8",31.21.....91
 HOSE ASSY,1/2,45 FEM,STR FEM.....91
 HOSE ASSY,1/2,45 FEM,STR FEM**.....91
 HOSE ASSY,1/2,58.28".....95
 HOSE ASSY,1/2,90 FEM,STR FEM.....95
 HOSE ASSY,1/2,90 FEM,STR FEM**.....91
 HOSE ASSY,1/2,STR FEM,STR BLKH.....95
 HOSE ASSY,1/2,STR FEM,STR FEM.....91, 95
 HOSE ASSY,1/4,45 FEM,STR FEM.....95
 HOSE ASSY,1/4,45 FEM,STR FEM**.....91
 HOSE ASSY,1/4,90 FEM,STR FEM.....91, 93, 95
 HOSE ASSY,1/4,90 FEM,STR FEM**.....91, 95
 HOSE ASSY,1/4,STR FEM,STR FEM.....91, 93, 95, 97
 HOSE ASSY,3/4,90 FEM,STR FEM.....91
 HOSE ASSY,3/8 STR FEM STR FEM*.....103
 HOSE ASSY,3/8,45 FEM,STR FEM.....95
 HOSE ASSY,3/8,83.28".....95
 HOSE COVER,LOWER LEVEL,BOT,PAI.....57
 HOSE COVER,LOWER LEVEL,TOP,PAI.....57
 HOSE COVER,UPPER ARM,PAINTED.....57
 HOSE END,BARB,1/4 MNPTX1/4,90D.....35
 HOSE END,BARB,1/4 MNPTX5/16,ST.....35
 HOSE GUIDE, JIB.....103
 HOSE,3/8",FUEL,30R7.....57
 HOSE,AIR CLEANER.....49
 HOUR METER,10-80 VOLTS***.....39

I

ISOLATOR,ENGINE VIBRATION***.....49

J

JOYSTICK,1 AXIS ROCKER,DEUTSCH.....79
 JOYSTICK,1 AXIS,DEUTSCH.....79
 JOYSTICK,2 AXIS,DEUTSCH.....79
 JOYSTICK,DUAL AXIS W/KNOB.....79
 JOYSTICK,SINGLE AXIS W/KNOB.....79
 JOYSTICK,SINGLE AXIS W/STEER.....79
 JUMPER COMB, 2-WAY,WIELAND.....41

K

KEEPER,LATCH (45363).....35, 43, 45
 KEY SINGLE***.....39
 KEYSWITCH,3 POS W/KEYS,LOCKING.....39
 KEYSWITCH,3 POS. W/KEYS***.....39
 KIT, FASTENER, FOOTSWITCH.....71
 KIT, ISOLATION, 3 JOYSTICK.....79
 KIT,CHARGE PUMP.....89
 KIT,CHARGE PUMP HOUSING.....89
 KIT,ELEMENT**.....35
 KIT,GASKET,UK POWER TO PLAT.....73-74
 KIT,LOAD SENSE MECH,Z45 JIB.....69
 KIT,PUMP SHAFT SEAL W/INST***.....89
 KNOB,JOYSTICK, 62390/62391.....79
 KNOB,ROCKER JOYSTICK 75565.....79

L

LANYARD,LYNCH PIN ASSY.....53
 LATCH,DRAW,ADJUSTABLE.....53
 LATCH,FLEXIBLE.....35, 53
 LATCH,FLEXIBLE DRAW.....41
 LATCH,SLIDE, FLUSH MOUNT STYLE.....101
 LENS,AMBER,STROBE,FIREBOLT.....99
 LEVER,GOVERNOR ACTUATOR**.....51
 LID,GROUND CONTROL BOX.....39
 LID,PLATFORM CONTROL BOX.....74
 LIGHT,LED IND. RED 12V NH.....39, 73-74
 LIGHT,LED IND. RED 24V NH.....73-74
 LINING KIT,BRAKE,OMNI***.....23, 27
 LOAD PAD,ENGINE TRAY SUPPORT.....33
 LOAD SUPPORT WITH BEARINGS.....69
 LOCKNUT,ELEC,1/2".....37, 73-74
 LOWER LEVEL ARM ASSY***.....57
 LOWER SECONDARY ARM ASSY***.....57
 LS ROT.HEAD W/O LEVER (ZCE01).....57

M

MACHINING, JIB BOOM WELDMENT**.....65
 MALE PIPE THD,1/4" SER,3/8"X18.....103
 MANIFOLD KIT, SW DRIVE.....33
 MANIFOLD, TRACTION, 4WD.....81
 MANIFOLD,FUNCTION,IC.....83-84
 MANIFOLD,JIB SELECT W/QD PLUG.....87
 MANIFOLD,ROTATOR,CB***.....87
 MANUAL BOX W/DECALS***.....71
 MODULE,IGNITION/START,12/24V.....41
 MOTOR,12VDC,77066.....35
 MOTOR,PISTON,LC25,6.5 DEG,13T.....23, 27
 MOUNT BRKT,POS.BATTERY CABLE.....51
 MOUNT, FUEL TANK.....35
 MOUNT,SWITCH.....69
 MOUNTING BRKT,ELECTRICAL PANEL.....49
 MOUNTING BRKT,FRONT HARNESS.....49
 MPT,CPLR,1/4"SER,3/8"X18.....103
 MUFFLER,DEUTZ.....49

N

NECK/HEAD-LIMIT SWITCH (88356).....33, 57
 NIPPLE,DIAGNOSTIC,#4.....83-84
 NUT - PLASTIC,RING FOR ALARMS.....73-74
 NUT HEX M5-0.8 CLASS 8 ZINC.....74
 NUT KIT W/COIL ORINGS.....81
 NUT, LP NYLOCK, 3/8-16.....57
 NUT,BULKHEAD,520118-4.....95
 NUT,HEX,1/4-28.....31
 NUT,LOCKING-LG.FLANGE,5/16-18.....49
 NUT,LOCKING-LRG.FLANGE,3/8-16.....43
 NUT,LP NYLOCK,1/4-20.....27, 101
 NUT,LP NYLOCK,10-32.....77
 NUT,LP NYLOCK,5/16-18.....43, 45
 NUT,LUG,5/8-18 X 90 DEGREE,Z45.....27
 NUT,NYLOCK,1/2-13.....33, 49, 51, 53
 NUT,NYLOCK,1/4-20.....25, 31, 35, 41, 43, 45, 51, 53, 57, 61, 63, 65, 67, 69, 89, 101, 103
 NUT,NYLOCK,10-24.....31, 51, 69
 NUT,NYLOCK,10-32.....33, 35, 41, 53, 57, 61, 73-74, 77, 99
 NUT,NYLOCK,3/4-10,GRD.8.....67
 NUT,NYLOCK,3/8-16.....25, 29, 33, 35, 37, 43, 45, 49, 51, 53, 55, 59, 63, 65, 69, 71, 73-74, 103
 NUT,NYLOCK,5/16-18.....35, 53, 67
 NUT,NYLOCK,8-32.....49
 NUT,RETAINER (96008).....39

NUT,STEM,EATON***.....89
 NUT,TL FLG,1/2-13,G,ZAG.....105
 NUT,TL FLG,3/8-16,G,ZAG.....105
 NUT-COIL SHORT.....87
 NUTSERT,1/4-20,STEEL CAD PLTD.....39, 41, 74

O

O-RING, ROTATOR MANIFOLD.....87
 O-RING,.103 X 4.737,VITON, 75D.....23
 O-RING,2-010,VITON.....23
 O-RING,2-042 N674-70***.....89
 O-RING,END COVER,OMNI***.....23, 27
 O-RING,FILTER ASSY (60334)***.....49, 53
 O-RING,PIPE PLUG KIT,OMNI***.....23, 27
 O-RING,STEM,EATON.....89
 ORIFICE DISC,.046",GREEN.....83-84
 ORIFICE, PLUG, 1.2MM (.047IN).....81

P

PAD,REST,1"THICK,W/STUDS*.....57
 PIN, DEUTZ (FOR PN 65849).....49
 PIN,0.75DIA X 5.75LG,CHAMFER.....69
 PIN,1.00DIA X 15.56LG,CHAMFER.....53
 PIN,1.25 DIA X 3.19 LG, PLATE.....59
 PIN,1.25DIA X 14.45LG,2HOLE.....65
 PIN,1.25DIA X 3.37LG,1HOLE.....59
 PIN,1.25DIA X 3.75LG,1HOLE.....25
 PIN,1.25DIA X 5.25LG,1HOLE.....65
 PIN,1.25DIA X 6.36LG,2RING.....61, 65
 PIN,1.25DIA X 7.00LG,1HOLE.....65
 PIN,1.25DIA X 7.88LG,1HOLE.....65
 PIN,1.25DIA X 8.12LG,1HOLE.....25
 PIN,1.25DIA X 8.88LG,1HOLE.....65
 PIN,1.25DIA X 9.38LG,THREADED.....61
 PIN,1.50DIA X 13.88LG,2HOLE.....55
 PIN,1.50DIA X 20.00LG,CHAMFER.....25, 29
 PIN,1.50DIA X 7.50LG,1HOLE***.....55
 PIN,1.75DIA X 11.88LG,CHAMFER.....59
 PIN,1.75DIA X 9.25LG,1HOLE.....59
 PIN,2.00DIA X 10.88LG,CHAMFER.....55
 PIN,2.00DIA X 12.88LG,CHAMFER***.....55
 PIN,2.00DIA X 24.00LG,CHAMFER***.....55, 59
 PIN,CLEVIS,1 X 2.5 LG.....25
 PINCH GUARD RAIL,6' PLATFORM.....101
 PIPE PLUG KIT,OMNI***.....23, 27
 PLATE,JIB,ROTATE MANIFOLD.....67
 PLATE,UK POWER TO PLATFORM.....73-74
 PLATFORM CONTROL BOX,Z45.....74
 PLUG, DEUTZ (FOR PN 65849).....49
 PLUG, NYLON .250 BLACK DOMED.....77
 PLUG, SANTOPRENE .5 BLACK DOME.....39, 73-74
 PLUG,ELECTRICAL,220/50,NOVON.....37
 PLUG,FUSED,250V,13AMP,U.K.**.....37
 PLUG,NYLON .313 BLACK DOMED.....77
 PLUG,NYLON 1.12 BLACK DOMED.....39
 PLUG,NYLON 2.093 BLACK DOMED.....39
 PLUG,ORIFICE,1.00MM(.039IN).....81
 PLUG,PWR,UK,16AMP,3PIN,BLK.....37
 PLUG-ORIFICE 0.031 INCH.....81
 POWER UNIT,12VDC AUX,.067CU.IN.....35
 PUMP ASSY (77066).....35
 PUMP ASSY,77066.....35
 PUMP,FUEL 2011 DEUTZ ***.....51
 PUMP,PIGGBACK,11CC,11 TOOTH***.....89
 PUMP,PISTON,49CC***.....89
 PUSH RETAINER, 3/8" SCREW.....43, 45

R

REF: Hydraulic Hose Assembly.....97
 REGULATOR,FUEL PRESS,TME27'07.....53
 RELAY SOCKET,AUTO***.....41
 RELAY,SPDT,12V(AUTO) PLUG IN**.....41, 77
 RELIEF VALVE, 250 PSI.....81
 REPAIR END BRKT SET,NP400-7***.....63
 REPAIR LINK,7 LINKS NP400-7***.....63
 REPAIR LINK,NP400-7***.....63
 RESISTOR,20 OHMS,25W,ADJ***.....41
 RESISTOR,7.5 OHM,25 WATT,1PCNT.....41
 RETAINER,SPRING,1.21 X .375.....69
 RIVET,ALUM,ALUM,3/16BUTTONHEAD....101
 RIVET,STL,STL,P,125 X .25.....41, 77
 ROCKER ASSY,MAGNETIC 75565.....79
 ROCKER,RETAINER, 75565.....79
 ROD END,.250 X 2.75 LG.....69
 ROD END,.375 X 2.25***.....25, 53, 59
 ROD END,.375 X 3.69.....25, 29, 59, 61, 65
 ROD END,0.5 X 3.75***.....55, 59
 ROD END,BALL JOINT 1/4-28.....31
 ROD,DISCONNECT,OMNI***.....23, 27
 ROLLER ARM,LIMIT SWITCH**.....33, 57, 61
 ROTATOR,PLAT,Z45.....67
 RUE RING 1.00.....25

S

SCREW PH M5-0.8X20 DIN 7500CE.....74
 SCREW T-SWITCH PH/PH 6-32X1/4.....39, 73-74
 SCREW, PHM, #6-32 X .625 ZINC.....79
 SCREW,10-32 X.625,SF.TAP.PHIL.....43, 45
 SCREW,BHHS,1/4-20 X .75.....63
 SCREW,BHSC,1/4-20 X 1.....101
 SCREW,BLEEDER,M5X0.8.....67
 SCREW,FHM,6-32 X .75.....73-74
 SCREW,FHS,3/8-16 X 1.75.....33
 SCREW,HHC,1/2-13 X 1.25 GR5.....29, 51, 59
 SCREW,HHC,1/2-13 X 1.5.....33, 55, 57, 59, 89
 SCREW,HHC,1/2-13 X 1.75.....53
 SCREW,HHC,1/2-13 X 3.5.....49, 51
 SCREW,HHC,1/4-20 X .625.....57
 SCREW,HHC,1/4-20 X .75.....39, 41, 43, 45, 49, 53, 67, 71, 74, 101
 SCREW,HHC,1/4-20 X 1.....23, 25, 27, 29, 35, 37, 43, 45, 51, 57, 63, 65, 69, 71, 101
 SCREW,HHC,1/4-20 X 1.25.....49, 103
 SCREW,HHC,1/4-20 X 1.5.....53, 65, 89, 101
 SCREW,HHC,1/4-20 X 1.75.....43, 57, 61
 SCREW,HHC,1/4-20 X 2.....31, 53
 SCREW,HHC,1/4-20 X 2.5.....25
 SCREW,HHC,1/4-20 X 2.75.....63, 67
 SCREW,HHC,1/4-20 X 3.....41
 SCREW,HHC,1/4-20 X 4.5.....53
 SCREW,HHC,3/4-10 X 9.5 GR 8 YE.....67
 SCREW,HHC,3/8-16 X .75.....23, 33, 35, 59, 61, 65
 SCREW,HHC,3/8-16 X .75,GR 8.....67
 SCREW,HHC,3/8-16 X 1.....25, 35, 49, 53, 57, 59
 SCREW,HHC,3/8-16 X 1.25 GRD 5.....35, 37, 43, 53, 61, 71, 74
 SCREW,HHC,3/8-16 X 1.50,GR5.....37, 43, 49, 59, 65
 SCREW,HHC,3/8-16 X 1.75,GRD.8.....25, 49, 51, 53, 61
 SCREW,HHC,3/8-16 X 2.....65
 SCREW,HHC,3/8-16 X 2.25.....25, 29

SCREW,HHC,3/8-16 X 2.75.....29, 31, 35, 37, 55
 SCREW,HHC,3/8-16 X 3.25.....69
 SCREW,HHC,5/16-18 X .75.....101
 SCREW,HHC,5/16-18 X 1 GR5.....35, 49
 SCREW,HHC,5/16-18 X 1.25.....53, 67
 SCREW,HHC,5/8-11 X 1.75 GRD.8.....53
 SCREW,HHC,5/8-11 X 4.00 GR8 BO.....33
 SCREW,HHC,7/16-14 X 1.25.....23, 27
 SCREW,HHC,M10 X 40MM,GRD8.....51
 SCREW,HHC,M10 X 80 GR 8.8.....51
 SCREW,HHC,M14 X 40MM,GR 8.8.....49, 51
 SCREW,HHC,M6 X 20MM,GR8.8.....51
 SCREW,HHC,M8 X 16.....49
 SCREW,HHF,1/2-13X3.5,8,ZAG.....105
 SCREW,HHF,3/8-16X.75.....35, 37
 SCREW,HHF,3/8-16X2.5,8,ZAG.....105
 SCREW,PHIL,10-24 X .75.....71
 SCREW,PHIL,8-32X.50,SELF TAP.....73-74
 SCREW,PHIL,PHM,10-24X1.5 ZINC.....69
 SCREW,PHIL,PHM,10-32 X .5,SSTL.....41, 73-74, 77
 SCREW,PHIL,PHM,6-32 X 1/4 SS.....77
 SCREW,PHILLIPS TRUSSHEAD.....41
 SCREW,PHILLIPS,PHM,10-32 X .38.....77
 SCREW,PHILLIPS,PHM,10-32 X .5.....77
 SCREW,PHILLIPS,PHM,10-32 X .75.....35, 53
 SCREW,PHILLIPS,PHM,10-32 X 2.0.....61
 SCREW,PHILLIPS,PHM,10-32 X1.25.....99
 SCREW,PHILLIPS,PHM,10-32X 1.75.....57
 SCREW,PHILLIPS,RHM,10-32 X 1.5.....33
 SCREW,RHM,8-32 X .75.....49
 SCREW,SHC,1/2-13 X 4.50 ZINC.....33
 SCREW,SHC,3/8-16 X 1.....89
 SCREW,SHC,5/8-11 X 1.63.....27
 SCREW,SHC,5/8-11 X 1.75.....23
 SCREW,SHC,5/8-11 X 4.5,A574.....33
 SCREW,SHC,8-32 X 3/4,BLK COAT.....89
 SCREW,SHC,M10X1.5X30 GR 12.9.....51
 SCREW,SHS,1/4-20 X .25 ZINC.....41
 SCREW,SHS,1/4-20 X .5 ZINC.....37
 SCREW,SHS,10-24 X .625.....31, 51
 SEAL AND BRG KIT,4.5K ROTATOR.....67
 SEAL KIT (101523)***.....61
 SEAL KIT (101775)***.....59
 SEAL KIT (39345).....84, 87
 SEAL KIT (54994).....65
 SEAL KIT, SWING DRIVE.....33
 SEAL KIT, VALVE.....81, 83-84, 87
 SEAL KIT, VALVE 84129.....81
 SEAL KIT, VALVE, #10.....81
 SEAL KIT, VALVE, #4.....81
 SEAL KIT,11 TOOTH PUMP***.....89
 SEAL KIT,52907,SIZE 4, 2 WAY.....83-84
 SEAL KIT,BRAKE,OMNI***.....23, 27
 SEAL KIT,CONTROL VALVE.....31
 SEAL KIT,CYL,Z45 (54567).....25
 SEAL KIT,ELEVATE (88203).....55
 SEAL KIT,GEARBOX,OMNI***.....23, 27
 SEAL KIT,MANIFOLD TO MOTOR.....33
 SEAL KIT,MASTER & SLAVE CYL.....59, 65
 SEAL KIT,MOTOR,LC/KC***.....23, 27
 SEAL KIT,PUMP SHAFT (EATON)***.....89
 SEAL KIT,SOLENOID VALVE, SV07.....87
 SEAL KIT,STEER CYL (89065).....25
 SEAL KIT,SWING DRIVE***.....33
 SEAL KIT,SWING MOTOR***.....33
 SEAL KIT,VALVE.....81
 SEAL KIT-FOR PN.44216 & 826779.....84

SEAL, CONNECTOR (DT JOYSTICKS).....79
 SEAL,FILTER ASSY (60334)***.....49, 53
 SEAL,FILTER LID.....35
 SEAL,SHAFT,EATON PUMP***.....89
 SENDING UNIT,OIL TEMP SWCH,DTZ.....49
 SHEET,RUBBER,AIR INTAKE.....51
 SHIM,AXLE ROTATION STOP,12GA.....29
 SHIM,AXLE ROTATION STOP,22GA.....29
 SHIM,SIDE PAD 22GA.....61
 SHIM,WEAR PAD,5X 1.5 16GA.....61
 SHUTTLE VALVE, HOT OIL.....81
 SLEEVE,CONNECTOR,DT JOYSTICKS.....79
 SLEEVE,NYLON, 2" ID.....97
 SLEEVE,NYLON, .86 ID.....91
 SLEEVE,NYLON,1.42 ID.....91, 97
 SLEEVE,NYLON,3.13 ID.....93
 SLIDING MIDRAIL KIT,PTD.....71
 SNAP RING,EXTERNAL,1.25,ZAG.....61, 65
 SNAP RING,EXTERNAL,1.50,ZAG.....23
 SNAP RING,PUMP SHAFT SEAL ***.....89
 SOLENOID,77066.....35
 SOLENOID,THROTTLE ACTUATOR DSL.....51
 SPACER, HANGER BRACKET.....105
 SPACER,19.1 ODX13.5 IDX15.9.....51
 SPACER,EATON PUMP SHAFT SEAL**.....89
 SPACER,HOSE CLAMP,RUBBER.....63
 SPLICE,PARALLEL,RED,INSULATED.....47
 SPRING CLIP,1/4-20,.025-.15X.5.....25, 29, 43, 45, 49, 65, 71
 SPRING CLIP,10-24,ZINC.....71
 SPRING CLIP,3/8-16,.05-.20X.73.....35
 SPRING,COMP,1" OD,232 LB/IN.....69
 SPRING,JOYSTK CENTR,62390/91.....79
 SPRING,SWITCH CENTERING,75565.....79
 STANDOFF,6-32 X 3/8L X 1/4 HEX.....77
 STARTER, 12V.....49
 STARTER,DEUTZ,F4L1011F/F3L1011.....49
 STEP PLATFORM ENTRY PAINTED.....71
 STRAINER,16 SAE F/24 SAE M.....35, 91
 STROBE,FIREBOLT,12-80VDC,AMB**.....99
 STRUT,GAS,14",200LBS.....45
 STRUT,GAS,200 LB***.....43
 SUPPORT, RAILING.....101
 SUPPORT,SENSOR,JOYSTICK.....79
 SVC KIT,UK RECEPT.REPLACEMENT.....73-74
 SWING DRIVE ASSEMBLY.....33
 SWING DRIVE ASSY***.....33
 SWITCH SHIELD,ROCK JOYSTK75565.....79
 SWITCH TOGGLE ASSY DPDT 2P MOM....39
 SWITCH TOGGLE ASSY DPDT 3P MOM...39, 73-74
 SWITCH TOGGLE ASSY SPDT 2P MNT....39, 73-74
 SWITCH TOGGLE ASSY SPDT 2P MOM...73-74
 SWITCH TOGGLE ASSY SPDT 3P MOM.....39
 SWITCH TOGGLE SPDT 2P MNT SHDR...39, 73-74
 SWITCH, OIL PRESSURE 1.5 BAR....49
 SWITCH,LIMIT,W/RLLR ARM NO/NC.....57, 61
 SWITCH,LIMIT,W/RLLR ARM,NO/NC*.....57
 SWITCH,LIMIT,W/RLLR ARM,NO/NC.....33

T

T-BOX,2.75 X 4.5 X 2.0.....73-74
 TAPE, PROTECTIVE MASK.....15, 21
 TAPE,WARNING,BLK/YEL, 50***.....15, 21
 TEE,BRANCH,520429-8.....95

This Page Intentionally Left Blank

Fitting Cross References

Genie PN	Parker PN	Description	Genie PN	Parker PN	Description
12342	6-4 F5OX-S	CONNECTOR, STRAIGHT THREAD TO FLARE TUBE	42794	1 CR-S	ELBOW, 90°, MALE PIPE
13757	4 R6X-S	RUN TEE, SWIVEL NUT, ORFS	42795	BV-0839	BALL VALVE
19685	12-10 C5OX-S	ELBOW, 90°, STRAIGHT THREAD TO FLARE TUBE	42796	BV-0838	BALL VALVE
22664	12-10 C5OX	ELBOW, 90°, STRAIGHT THREAD TO FLARE TUBE	42874	6-8 CLO-S	ELBOW, 90°, MALE PIPE TO ORFS
27431	8-12 F5OX-S	CONNECTOR, STRAIGHT THREAD TO FLARE TUBE	42912	13943-6-4	HOSE END, 90° FEMALE SWIVEL, JIC
28678	AS-B-33	SLEEVE, NYLON, 1.81" ID	42920	BV-0840	BALL VALVE, 90°
39871	6 WETX-WLN-S	UNION, 90° BULKHEAD W/NUT, FLARE TUBE	42932	AS-B-17	SLEEVE, NYLON, 1.22" ID
39872	4 R5OX-S	RUN TEE, STRAIGHT THREAD	42936	10243-2-4	HOSE END, FEMALE PIPE
39873	6 C5OX-S	ELBOW, 90°, STRAIGHT THREAD TO FLARE TUBE	42953	1/2 DD-S	ELBOW, 90°, FEMALE PIPE
39874	8-6 C5OX-S	ELBOW, 90°, STRAIGHT THREAD TO FLARE TUBE	42956	6 WELO-WLNL-S	UNION, 90° BULKHEAD W/NUT, ORFS
39875	4-6 C5OX-S	ELBOW, 90°, STRAIGHT THREAD TO FLARE TUBE	45349	8 V5OX-S	ELBOW, 45°, STRAIGHT THREAD TO FLARE TUBE
39876	6-8 C5OX-S	ELBOW, 90°, STRAIGHT THREAD TO FLARE TUBE	45351	4 V5OX-S	ELBOW, 45°, STRAIGHT THREAD TO FLARE TUBE
39877	4 F5OX-S	CONNECTOR, STRAIGHT THREAD TO FLARE TUBE	47223	10343-6-6	HOSE END, MALE, JIC
39878	6 F5OX-S	CONNECTOR, STRAIGHT THREAD TO FLARE TUBE	47419	PS690503-6-6	SWIVEL, 90°, STRAIGHT THREAD TO 37° FLARE
39879	4-8 F5OX-S	CONNECTOR, STRAIGHT THREAD TO FLARE TUBE	48750	421-4	HOSE, 1/4 INCH ID
39880	6-10 F5OX-S	CONNECTOR, STRAIGHT THREAD TO FLARE TUBE	48751	481TC-4	HOSE, 1/4 INCH ID
39881	4-6 F5OX-S	CONNECTOR, STRAIGHT THREAD TO FLARE TUBE	48752	482TC-4	HOSE, 1/4 INCH ID
39882	4-HP5ON-S	PLUG, STRAIGHT THREAD	48753	451TC-6	HOSE, 3/8 INCH ID
39883	8-8 FTX-S	CONNECTOR, MALE PIPE TO FLARE TUBE	48754	482TC-6	HOSE, 3/8 INCH ID
39885	269HB 12-12	ELBOW, 90°, BEADED HOSE BARB TO MALE PIPE	48755	381-6	HOSE, 3/8 INCH ID
39886	431-6	HOSE, 3/8 INCH ID	48756	451TC-8	HOSE, 1/2 INCH ID
39887	540N-2	HOSE, 1/8 INCH ID	48757	482TC-8	HOSE, 1/2 INCH ID
39888	801-8	HOSE, 1/2 INCH ID	48758	381-8	HOSE, 1/2 INCH ID
39889	801-12	HOSE, 3/4 INCH ID	48759	381-10	HOSE, 5/8 INCH ID
39890	10643-6-6	HOSE END, FEMALE SWIVEL, JIC	48760	451TC-10	HOSE, 5/8 INCH ID
39891	13943-6-6	HOSE END, 90° FEMALE SWIVEL, JIC	48761	482TC-12	HOSE, 3/4 INCH ID
39892	13743-6-6	HOSE END, 45° FEMALE SWIVEL, JIC	48762	451TC-12	HOSE, 3/4 INCH ID
39894	30682-8-8	HOSE END, FEMALE SWIVEL, JIC	48763	772-12	HOSE, 3/4 INCH ID
39895	30682-10-12	HOSE END, FEMALE SWIVEL, JIC	48764	881-16	HOSE, 1 INCH ID
42286	8-8 CTX-S	ELBOW, 90°, MALE PIPE TO FLARE TUBE	48765	772-16	HOSE, 1 INCH ID
42756	8-12 CLO-S	ELBOW, 90°, MALE PIPE TO ORFS	48766	AS-B-15	SLEEVE, NYLON, 1.06" ID
42757	8-12 FLO-S	CONNECTOR, MALE PIPE TO ORFS	48767	AS-B-22	SLEEVE, NYLON, 1.42" ID
42758	4 JLO-S	UNION TEE, ORFS	48770	881-8	HOSE, 1/2 INCH ID
42759	4-4 FLO-S	CONNECTOR, MALE PIPE TO ORFS			
42760	6-8 FLO-S	CONNECTOR, MALE PIPE TO ORFS			
42761	1J143-6-4	HOSE END, 90° FEMALE SWIVEL, SEAL LOK			
42762	1J743-6-4	HOSE END, 45° FEMALE SWIVEL, SEAL LOK			
42768	1JO43-4-4	HOSE END, MALE, SEAL LOK			
42776	601-8	HOSE, 1/2 INCH ID			
42777	1J743-16-16	HOSE END, 45° FEMALE SWIVEL, SEAL LOK			
42786	16 CLO-S	ELBOW, 90°, MALE PIPE TO ORFS			
42787	16 R6LO-S	RUN TEE, SWIVEL NUT, ORFS			
42788	16-8 TRLO-BL-S	REDUCER, TUBE END TO SWIVEL, ORFS			
42789	6-6 CLO-S	ELBOW, 90°, MALE PIPE TO ORFS			
42790	8-10 V5OLO-S	ELBOW, 45°, STRAIGHT THREAD TO ORFS			
42791	3/4 CD-S	ELBOW, 90°, MALE TO FEMALE PIPE			
42792	3/4 X 1/2 PTR-S	REDUCER, MALE TO FEMALE PIPE			
42793	1/2 CR-S	ELBOW, 90°, MALE PIPE			

Fitting Cross References (Continued)

Genie PN	Parker PN	Description
48771	881-10	HOSE,5/8 INCH ID
48772	381-4	HOSE,1/4 INCH ID
48773	AS-B-13	SLEEVE,NYLON,.86" ID
48800	1JC43-4-4	HOSE END,FEMALE SWIVEL,SEAL LOK
48801	1J743-4-4	HOSE END,45° FEMALE SWIVEL,SEAL LOK
48802	1J943-4-4	HOSE END,90° FEMALE SWIVEL,SEAL LOK
48804	1JM43-4-4	HOSE END,MALE,SEAL LOK, NO O-RING
48805	10643-4-4	HOSE END,FEMALE SWIVEL,JIC
48806	13943-4-4	HOSE END,90° FEMALE SWIVEL,JIC
48807	1JS43-4-4	HOSE END,FEMALE SWIVEL,SEAL LOK
48808	3JC82-8-8	HOSE END,FEMALE SWIVEL,SEAL LOK
48809	3JC82-12-12	HOSE END,FEMALE SWIVEL,SEAL LOK
48810	1JC43-6-4	HOSE END,FEMALE SWIVEL,SEAL LOK
48811	1J943-6-4	HOSE END,90° FEMALE SWIVEL,SEAL LOK
48812	1JC43-6-6	HOSE END,FEMALE SWIVEL,SEAL LOK
48813	1J143-6-6	HOSE END,90° FEMALE SWIVEL,SEAL LOK
48814	1J543-6-6	HOSE END,90° FEMALE SWIVEL,SEAL LOK
48815	1J743-6-6	HOSE END,45° FEMALE SWIVEL,SEAL LOK
48816	1J943-6-6	HOSE END,90° FEMALE SWIVEL,SEAL LOK
48817	1JS43-6-8	HOSE END,FEMALE SWIVEL,SEAL LOK
48818	1J943-8-4	HOSE END,90° FEMALE SWIVEL,SEAL LOK
48819	1JC43-8-6	HOSE END,FEMALE SWIVEL,SEAL LOK
48820	1J743-8-6	HOSE END,45° FEMALE SWIVEL,SEAL LOK
48821	1J943-8-6	HOSE END,90° FEMALE SWIVEL,SEAL LOK
48822	1JC43-8-8	HOSE END,FEMALE SWIVEL,SEAL LOK
48823	1JS43-8-8	HOSE END,FEMALE SWIVEL,SEAL LOK
48824	1J143-8-8	HOSE END,90° FEMALE SWIVEL,SEAL LOK
48825	1J543-8-8	HOSE END,90° FEMALE SWIVEL,SEAL LOK
48826	1J743-8-8	HOSE END,45° FEMALE SWIVEL,SEAL LOK
48827	1J943-8-8	HOSE END,90° FEMALE SWIVEL,SEAL LOK
48828	1JC43-10-8	HOSE END,FEMALE SWIVEL,SEAL LOK
48829	1JS43-10-8	HOSE END,FEMALE SWIVEL,SEAL LOK
48830	1J743-10-8	HOSE END,45° FEMALE SWIVEL,SEAL LOK
48831	1J943-10-8	HOSE END,90° FEMALE SWIVEL,SEAL LOK
48833	1JC43-10-10	HOSE END,FEMALE SWIVEL,SEAL LOK
48834	1J943-10-10	HOSE END,90° FEMALE SWIVEL,SEAL LOK
48835	1JS43-10-12	HOSE END,FEMALE SWIVEL,SEAL LOK
48836	1JC43-12-8	HOSE END,FEMALE SWIVEL,SEAL LOK
48837	1JS43-12-8	HOSE END,FEMALE SWIVEL,SEAL LOK
48838	1J743-12-8	HOSE END,45° FEMALE SWIVEL,SEAL LOK
48839	1J943-12-8	HOSE END,90° FEMALE SWIVEL,SEAL LOK
48840	1J943-12-10	HOSE END,90° FEMALE SWIVEL,SEAL LOK
48841	1JC43-12-12	HOSE END,FEMALE SWIVEL,SEAL LOK
48842	1JO43-12-12	HOSE END,MALE,SEAL LOK
48843	1J143-12-12	HOSE END,90° FEMALE SWIVEL,SEAL LOK
48844	1J543-12-12	HOSE END,90° FEMALE SWIVEL,SEAL LOK
48845	1J743-12-12	HOSE END,45° FEMALE SWIVEL,SEAL LOK
48846	1J943-12-12	HOSE END,90° FEMALE SWIVEL,SEAL LOK

Genie PN	Parker PN	Description
48847	13943-12-12	HOSE END,90° FEMALE SWIVEL,JIC
48848	10543-12-12	HOSE END,MALE,STRAIGHT THREAD
48849	1JC71-12-12	HOSE END,FEMALE SWIVEL,SEAL LOK
48850	1JS71-12-12	HOSE END,FEMALE SWIVEL,SEAL LOK
48851	1J171-12-12	HOSE END,90° FEMALE SWIVEL,SEAL LOK
48852	1J771-12-12	HOSE END,45° FEMALE SWIVEL,SEAL LOK
48853	1J971-12-12	HOSE END,90° FEMALE SWIVEL,SEAL LOK
48854	1JC43-16-16	HOSE END,FEMALE SWIVEL,SEAL LOK
48855	1J943-16-16	HOSE END,90° FEMALE SWIVEL,SEAL LOK
48856	1J171-16-16	HOSE END,90° FEMALE SWIVEL,SEAL LOK
48857	1J971-16-16	HOSE END,90° FEMALE SWIVEL,SEAL LOK
48859	1JS43-8-4	HOSE END,FEMALE SWIVEL,SEAL LOK
48867	PD36BTL	DIAGNOSTIC NIPPLE,SEAL-LOK SWIVEL
48873	6 PNLO-S	PLUG,TUBE END,ORFS
48874	6 PNTX-S	PLUG,FLARE TUBE
48875	6 R6LO-S	RUN TEE,SWIVEL NUT,ORFS
48877	4 F5OLO-SW/.025	CONNECTOR,STRAIGHT THREAD TO ORFS, W/.025 ORI
48878	16-12 C5OLO-S	ELBOW,90°,STRAIGHT THREAD TO ORFS
48879	8 C6LO-S	ELBOW,90°,SWIVEL NUT ORFS
48880	PD6-285	CAP,DIAGNOSTIC NIPPLE
48881	6 HLO-S	UNION,ORFS
48883	8 P5ON-S	PLUG,STRAIGHT THREAD
48884	8M18F87OMLO-S	CONNECTOR,METRIC,STRAIGHT THREAD TO ORFS
48885	4 WGTX-WLN-S	CONNECTOR,BULKHEAD,FEMALE PIPE TO FLARE TUBE
48886	4 F5OLO-SW/2MM	CONNECTOR,MACHINED STRAIGHT THREAD TO ORFS
48887	4 CTX-S	ELBOW,90°,MALE PIPE TO FLARE TUBE
48888	10-12 V5OLO-S	ELBOW,45°,STRAIGHT THREAD TO ORFS
48890	4 S5OLO-S	BRANCH TEE,STRAIGHT THREAD TO ORFS
48891	4 S6LO-S	BRANCH TEE,SWIVEL NUT TO ORFS

Fitting Cross References (Continued)

Genie PN	Parker PN	Description	Genie PN	Parker PN	Description
48892	6 C6LO-S	ELBOW,90°,SWIVEL NUT ORFS	48938	8 R6LO-S	RUN TEE,SWIVEL NUT,ORFS
48893	6 F5OHAO-S	UNION,STRAIGHT THREAD	48939	8 S6LO-S	BRANCH TEE,SWIVEL NUT TO ORFS
48894	8 WLO-WLNL-S	UNION,BULKHEAD,ORFS	48940	8 WJLO-WLNL-S	RUN TEE, BULKHEAD,ORFS
48895	DT-370-MSMO-5	VALVE,CHECK	48941	8-4 TRLO-S	REDUCER,TUBE END TO SWIVEL,ORFS
48896	6 JLO-S	UNION,TEE,ORFS	48942	8-6 C5OLO-S	ELBOW,90°,STRAIGHT THREAD TO ORFS
48897	DT-750-MSMS-5	VALVE,CHECK	48943	8-6 F5OLO-S	CONNECTOR,STRAIGHT THREAD TO ORFS
48898	DT-750-MOMS-5	VALVE,CHECK	48944	8-8 FLO-S	CONNECTOR,MALE PIPE TO ORFS
48899	DT-620-MOMS-5	VALVE,CHECK	48945	8 FTX-S	CONNECTOR,MALE PIPE TO FLARE TUBE
48900	4-6 F5OLO-SW/.035	CONNECTOR,STRAIGHT THREAD TO ORFS, W/.035 ORI	48946	8-10 F5OLO-S	CONNECTOR,STRAIGHT THREAD TO ORFS
48902	16-1 AOE4G-S	ELBOW,90° LONG,FEMALE PIPE TO STRAIGHT THREAD	48947	8-12 C5OLO-S	ELBOW,90°,STRAIGHT THREAD TO ORFS
48903	1 FF-S	NIPPLE,PIPE	48948	8-12 F5OLO-S	CONNECTOR,STRAIGHT THREAD TO ORFS
48904	4 C5OLO-S	ELBOW,90°,STRAIGHT THREAD TO ORFS	48949	8-16 F5OLO-S	CONNECTOR,STRAIGHT THREAD TO ORFS
48905	4 F5OLO-S	CONNECTOR,STRAIGHT THREAD TO ORFS	48950	10 C5OLO-S	ELBOW,90°,STRAIGHT THREAD TO ORFS
48906	4 R5OLO-S	RUN TEE,STRAIGHT THREAD	48951	10 CC5OLO-S	ELBOW,90° LONG,STRAIGHT THREAD TO ORFS
48907	4 V5OLO-S	ELBOW,45°,STRAIGHT THREAD TO ORFS	48952	10 F5OLO-S	CONNECTOR,STRAIGHT THREAD TO ORFS
48908	4 R6LO-S	RUN TEE,SWIVEL NUT,ORFS	48953	10 R5OLO-S	RUN TEE,STRAIGHT THREAD
48909	4 WJLO-WLNL-S	RUN TEE, BULKHEAD,ORFS	48954	10 S5OLO-S	BRANCH TEE,STRAIGHT THREAD TO ORFS
48910	4 GTX-S W/.030	CONNECTOR,FEMALE PIPE TO FLARE TUBE	48955	10 R6LO-S	RUN TEE,SWIVEL NUT,ORFS
48911	4-6 C5OLO-S	ELBOW,90°,STRAIGHT THREAD TO ORFS	48956	10-4 TRLO-BL-S	REDUCER,TUBE END TO SWIVEL,ORFS
48912	4-6 F5OLO-S	CONNECTOR,STRAIGHT THREAD TO ORFS	48957	10-6 TRLO-BL-S	REDUCER,TUBE END TO SWIVEL,ORFS
48913	4-6 F5OLO-SW/.030	CONNECTOR,STRAIGHT THREAD TO ORFS, W/.030 ORI	48958	10-12 F5OLO-S	CONNECTOR,STRAIGHT THREAD TO ORFS
48914	4-8 F5OLO-S	CONNECTOR,STRAIGHT THREAD TO ORFS	48959	12 C5OLO-S	ELBOW,90°,STRAIGHT THREAD TO ORFS
48915	6 C5OLO-S	ELBOW,90°,STRAIGHT THREAD TO ORFS	48960	12 F5OLO-S	CONNECTOR,STRAIGHT THREAD TO ORFS
48916	6 F5OLO-S	CONNECTOR,STRAIGHT THREAD TO ORFS	48961	12 R5OLO-S	RUN TEE,STRAIGHT THREAD
48917	6 FF5OLO-S	CONNECTOR,LONG,STRAIGHT THREAD TO ORFS	48962	12 S5OLO-S	BRANCH TEE,STRAIGHT THREAD TO ORFS
48918	6 R5OLO-S	RUN TEE,STRAIGHT THREAD	48963	12 V5OLO-S	ELBOW,45°,STRAIGHT THREAD TO ORFS
48919	6 S5OLO-S	BRANCH TEE,STRAIGHT THREAD TO ORFS	48964	12 R6LO-S	RUN TEE,SWIVEL NUT,ORFS
48920	6 V5OLO-S	ELBOW,45°,STRAIGHT THREAD TO ORFS	48965	12 CLO-S	ELBOW,90°,MALE PIPE TO ORFS
48921	6 FLO-S	CONNECTOR,MALE PIPE TO ORFS	48966	12 FLO-S	CONNECTOR,MALE PIPE TO ORFS
48922	6-6 FLO-S	CONNECTOR,MALE PIPE TO ORFS	48967	12 JLO-S	UNION TEE,ORFS
48923	6 P5ON-S	PLUG,STRAIGHT THREAD	48968	12 WLO-WLNL-S	UNION,BULKHEAD,ORFS
48925	6 WELO-S	UNION,90° BULKHEAD,ORFS	48969	12 WJLO-WLNL-S	RUN TEE, BULKHEAD,ORFS
48926	6-4 C5OLO-S	ELBOW,90°,STRAIGHT THREAD TO ORFS	48970	12 WELO-WLNL-S	UNION,90° BULKHEAD W/NUT,ORFS
48927	6-4 F5OLO-S	CONNECTOR,STRAIGHT THREAD TO ORFS			
48928	6-4 V5OLO-S	ELBOW,45°,STRAIGHT THREAD TO ORFS			
48929	6-8 C5OLO-S	ELBOW,90°,STRAIGHT THREAD TO ORFS			
48930	6-8 F5OLO-S	CONNECTOR,STRAIGHT THREAD TO ORFS			
48931	6-10 F5OLO-S	CONNECTOR,STRAIGHT THREAD TO ORFS			
48932	8 C5OLO-S	ELBOW,90°,STRAIGHT THREAD TO ORFS			
48933	8 F5OLO-S	CONNECTOR,STRAIGHT THREAD TO ORFS			
48934	8 FF5OLO-S	CONNECTOR,LONG,STRAIGHT THREAD TO ORFS			
48935	8 R5OLO-S	RUN TEE,STRAIGHT THREAD			
48936	8 S5OLO-S	BRANCH TEE,STRAIGHT THREAD TO ORFS			
48937	8 V5OLO-S	ELBOW,45°,STRAIGHT THREAD TO ORFS			

Fitting Cross References (Continued)

Genie PN	Parker PN	Description	Genie PN	Parker PN	Description
48971	12 G5G5JG5-S	TEE,FEMALE STRAIGHT THREAD	49612	PKT02586	O-RING KIT (ORFS FITTINGS)
48972	12 XHL6-S	ADAPTER, 37° MALE TO SWIVEL ORFS	49613	PKT06276	PLUG AND CAP KIT-SERVICE,ORFS
48973	12-1/2 F5OG-S	ADAPTER,FEMALE PIPE TO STRAIGHT THREAD	49728	10143-12-12	HOSE END, MALE PIPE
48974	12-10 C5OLO-S	ELBOW,90°,STRAIGHT THREAD TO ORFS	49729	16-1 F5OG-S	ADAPTER,FEMALE PIPE TO STRAIGHT THREAD
48975	12-10 F5OLO-S	CONNECTOR,STRAIGHT THREAD TO ORFS	49814	12-8 FLO-S	CONNECTOR,MALE PIPE TO ORFS
48976	12-16 C5OLO-S	ELBOW,90°,STRAIGHT THREAD TO ORFS	49829	DT-500-MOMF-5	VALVE,CHECK
48977	12-16 F5OLO-S	CONNECTOR,STRAIGHT THREAD TO ORFS	49831	881-12	HOSE,3/4 INCH ID
48978	12-16 V5OLO-S	ELBOW,45°,STRAIGHT THREAD TO ORFS	49834	16 JLO-S	UNION TEE,ORFS
48980	12-16 FLO-S	CONNECTOR,MALE PIPE TO ORFS	49838	12-8 TRLO-BL-S	REDUCER,TUBE END TO SWIVEL,ORFS
48983	16 C5OLO-S	ELBOW,90°,STRAIGHT THREAD TO ORFS	49840	8 JLO-S	UNION TEE,ORFS
48984	16 F5OLO-S	CONNECTOR,STRAIGHT THREAD TO ORFS	49844	10-8 TRLO-BL-S	REDUCER,TUBE END TO SWIVEL,ORFS
48985	16 V5OLO-S	ELBOW,45°,STRAIGHT THREAD TO ORFS	49854	8 P5ON-S	PLUG,STRAIGHT THREAD
48986	16 FLO-S	CONNECTOR,MALE PIPE TO ORFS	49855	1JC43-16-12	HOSE END,FEMALE SWIVEL,SEAL LOK
48988	16 CD45-S	ELBOW,45°,MALE TO FEMALE PIPE	49859	4 P5ON-S	PLUG,STRAIGHT THREAD
48989	12 CD45-S	ELBOW,45°,MALE TO FEMALE PIPE	49861	4 FF5OLO-S	CONNECTOR,LONG,STRAIGHT THREAD TO ORFS
48990	8 CD45-S	ELBOW,45°,MALE TO FEMALE PIPE	49867	12-3/4 F5OG-S	ADAPTER,FEMALE PIPE TO STRAIGHT THREAD
48991	16-12 FLO-S	CONNECTOR,MALE PIPE TO ORFS	51152	6 R6X-S	RUN TEE,SWIVEL NUT,ORFS
48992	16-12 V5OLO-S	ELBOW,45°,STRAIGHT THREAD TO ORFS	51153	6-4 TRTX-S	REDUCER,TUBE END TO SWIVEL,ORFS
48993	XV501-12	BALL VALVE	51154	4-4 GTX	CONNECTOR,FEMALE PIPE TO FLARE TUBE
48994	XV501-16	BALL VALVE	51264	881-12	HOSE,3/4 INCH ID
48995	XV510P-12	BALL VALVE	51265	8 JLO-S	UNION TEE,ORFS
48996	XV510P-16	BALL VALVE	51508	6 BTX-S	NUT,FLARE TUBE
48997	PD341	DIAGNOSTIC NIPPLE, STRAIGHT THREAD	51580	12-8 TRLO-BL-S	TUBE END REDUCER,ORFS
48998	PD 361	DIAGNOSTIC NIPPLE, STRAIGHT THREAD	51628	6 R6X-S	RUN TEE,SWIVEL NUT,ORFS
48999	DT-500-MOMS-5	VALVE,CHECK	51735	3/8 HHP	PLUG,PIPE THREAD
49201	10 V5OLO-S	ELBOW,45°,STRAIGHT THREAD TO ORFS	51803	1J943-6-8	HOSE END,90° FEMALE SWIVEL,SEAL LOK
49202	1JC43-12-10	HOSE END,FEMALE SWIVEL,SEAL LOK	53023	125HBL-5-4	FITTING,HOSE BARB TO MALE PIPE
49203	10-8 V5OLO-S	ELBOW,45°,STRAIGHT THREAD TO ORFS	53497	PKT02585	O-RING KIT
49205	6 F5OHAO-S	UNION,STRAIGHT THREAD	53499	1JC71-16-16	HOSE END,FEMALE SWIVEL,SEAL LOK
49207	PD34BTL	DIAGNOSTIC NIPPLE,SEAL-LOK SWIVEL	53500	3-904	O-RING,STRAIGHT THREAD,-4
49209	8M18F870MX-S	CONNECTOR,METRIC,STRAIGHT THREAD TO FLARE TUBE	53501	3-906	O-RING,STRAIGHT THREAD,-6
49212	8 WGTX-WLN-S	CONNECTOR,BULKHEAD,FEMALE PIPE TO FLARE TUBE	53502	3-908	O-RING,STRAIGHT THREAD,-8
49213	30682-8-8	HOSE END,FEMALE SWIVEL,JIC	53503	3-910	O-RING,STRAIGHT THREAD,-10
49216	831-8	HOSE,1/2 INCH ID			
49217	33982-8-8	HOSE END,90° FEMALE SWIVEL,JIC			
49219	PS-B-35	SLEEVE,NYLON,2.19" ID			
49418	4-6 V5OLO-S	ELBOW,45°,STRAIGHT THREAD TO ORFS			
49511	DT370-MOMS-5	VALVE,CHECK			
49512	1 DD-S	ELBOW,90°,FEMALE PIPE			
49513	1 FF-S	NIPPLE,PIPE			
49514	10 HP5ON-S	PLUG,STRAIGHT THREAD			
49515	12-16 CLO-S	ELBOW,90°,MALE PIPE TO ORFS			
49517	6 HP5ON-S	PLUG,STRAIGHT THREAD			
49519	16-12 F5OLO-S	CONNECTOR,STRAIGHT THREAD TO ORFS			
49520	4 VTX-S	ELBOW,45°,MALE PIPE TO FLARE TUBE			
49530	16 C6LO-S	ELBOW,90°,SWIVEL NUT ORFS			

Fitting Cross References (Continued)

Genie PN	Parker PN	Description	Genie PN	Parker PN	Description
53535	3-912	O-RING, STRAIGHT THREAD, -12	61083	24 F5OLO-S	CONNECTOR, STRAIGHT THREAD TO ORFS
53536	4-PNLO-S	PLUG, TUBE END, ORFS	61086	20 R5OLO-S	RUN TEE, STRAIGHT THREAD
53537	6 PNLO-S	PLUG, TUBE END, ORFS	61090	24-20 F5OLO-S	CONNECTOR, STRAIGHT THREAD TO ORFS
53538	8 PNLO-S	PLUG, TUBE END, ORFS	61091	1J943 24-24	HOSE END, 90° FEMALE SWIVEL, SEAL LOK
53539	10 PNLO-S	PLUG, TUBE END, ORFS	61093	1J978-12-12	HOSE END, 90° FEMALE SWIVEL, JIC
53540	12 PNLO-S	PLUG, TUBE END, ORFS	61095	1JS43-20-16	HOSE END, FEMALE SWIVEL, SEAL LOK
53946	129HB-5-4	FITTING, 90° HOSE BARB TO MALE PIPE	61100	811-24	HOSE, 1 1/2 INCH ID
53951	8-1/4F50G-S	ADAPTER, FEMALE PIPE TO STRAIGHT THREAD	61130	1JS43-24-24	HOSE END, FEMALE SWIVEL, SEAL LOK
53980	6 S6LO-S	BRANCH TEE, SWIVEL NUT TO ORFS	61131	1JS78 12-12	HOSE END, FEMALE SWIVEL, SEAL LOK
54132	4 C6LO-S	ELBOW, 90°, SWIVEL NUT ORFS	61132	1J778-12-12	HOSE END, 45° FEMALE SWIVEL, JIC
54135	11343-16-16	HOSE END, MALE SWIVEL, PIPE	61152	139HB-6-4	ELBOW, 45°, BARB TO MALE PIPE
54283	8-10 C5OLO-S	ELBOW, 90°, STRAIGHT THREAD TO ORFS	61251	BV-0750	BALL VALVE
54428	8M18C870MLO-S	ELBOW, 90° METRIC, STRAIGHT THREAD TO ORFS	61259	4 CC5OLO-S	ELBOW, 90° LONG, STRAIGHT THREAD TO ORFS
54803	FS-F-16-10	SLEEVE, FIRE, .96" ID	61260	20-12 TRLO-BL	REDUCER, TUBE END TO SWIVEL, ORFS
54954	10143-2-4	HOSE END, MALE PIPE	61262	12 C6LO-S	ELBOW, 90°, SWIVEL NUT ORFS
55190	3/8 HP-S	PLUG, PIPE THREAD	61263	20 F5OHAO-S	UNION, STRAIGHT THREAD
55448	8 HLO-S	UNION, ORFS	61264	6-10 C5OLO-S	ELBOW, 90°, STRAIGHT THREAD TO ORFS
55839	6 F65OX-S	CONNECTOR, STRAIGHT THREAD TO 37° SWIVEL	61265	6 WNLO-WLNL-S	UNION, BULKHEAD 45°, ORFS
55968	10 C5OX-S	ELBOW, 90°, STRAIGHT THREAD TO FLARE TUBE	61268	4 WNLO-WLNL-S	UNION, BULKHEAD 45°, ORFS
56003	6 CC5OLO-S	ELBOW, 90° LONG, STRAIGHT THREAD TO ORFS	61269	4 WLO-WLNL-S	UNION, BULKHEAD, ORFS
56166	BV-0837	BALL VALVE, 90°	61272	12 AOEL6	ELBOW, 90°, STRAIGHT THREAD TO ORFS SWIVEL
56188	10143-8-6	HOSE END, MALE PIPE	61316	482TC-16	HOSE, 1 INCH ID
56233	2-011	O-RING, ORFS, -4	61321	6 JLO-S	UNION TEE, ORFS
56234	2-012	O-RING, ORFS, -6	61327	782-12	HOSE, 3/4 INCH ID
56235	2-014	O-RING, ORFS, -8	61328	881-24	HOSE, 1 1/2 INCH ID
56236	2-016	O-RING, ORFS, -10	61336	11943-20-24	HOSE END, 90° FLANGE HEAD
56237	2-018	O-RING, ORFS, -12	61345	12 WJLO-WLNL-S	RUN TEE, BULKHEAD, ORFS
56238	2-021	O-RING, ORFS, -16	61346	8 WNLO-WLNL-S 4	UNION, BULKHEAD 45°, ORFS
56352	6 WLNL-S	LOCKNUT, BULKHEAD	61569	33782-8-8	HOSE END, 45° FEMALE SWIVEL, JIC
56353	3J782-12-12	HOSE END, 45° FEMALE SWIVEL, SEAL LOK	61610	12 FF5OLO-S	CONNECTOR, LONG, STRAIGHT THREAD TO ORFS
56354	3J982-12-12	HOSE END, 90° FEMALE SWIVEL, SEAL LOK	61742	1/8 X 1.5 FFF	NIPPLE, PIPE
56604	10-8 F5OLO-S	CONNECTOR, STRAIGHT THREAD TO ORFS	63426	8 PNTX-S	PLUG, FLARE TUBE
56639	3JC82-10-10	HOSE END, FEMALE SWIVEL, SEAL LOK			
56640	3J982-10-10	HOSE END, 90° FEMALE SWIVEL, SEAL LOK			
56655	3JC82-8-10	HOSE END, FEMALE SWIVEL, SEAL LOK			
56676	10-8 C5OLO-S	ELBOW, 90°, STRAIGHT THREAD TO ORFS			
56776	471TC-6	HOSE, 3/8 INCH ID			
56777	471TC-8	HOSE, 1/2 INCH ID			
56789	811-16	HOSE, 1 INCH ID			
57884	3/8 FF	NIPPLE, PIPE			
59335	6 FNL-S	CAP, TUBE END			
59342	4 FNL-S	CAP, TUBE END			
59371	8 HP5ON-S	PLUG, STRAIGHT THREAD			
60653	BV-0751	BALL VALVE			
60806	125HB-3-4	FITTING, HOSE BARB TO MALE PIPE			
61064	5-1/4 F50G-S	ADAPTER, FEMALE PIPE TO STRAIGHT THREAD			
61079	4 WELO-WLNL-S	UNION, 90° BULKHEAD W/NUT, ORFS			
61080	6 WLO-WLNL-S	UNION, BULKHEAD, ORFS			

Fitting Cross References (Continued)

Genie PN	Parker PN	Description
64271	4 WLO-WLNL-S	UNION,BULKHEAD,ORFS
64272	6 WLO-WLNL-S	UNION,BULKHEAD,ORFS
65776	8 F65OL-S	CONNECTOR,STRAIGHT THREAD TO ORFS SWIVEL
65880	6001012	O-RING KIT
66154	6 WTX-WLNS	UNION,BULKHEAD,FLARE TUBE
66155	6 WETX-S	UNION,BULKHEAD 90°,FLARE TUBE
66156	6 WLN-S	BULKHEAD LOCKNUT
66389	6-8 F5OX-S	CONNECTOR,STRAIGHT THREAD TO FLARE TUBE
66392	6 R5OX-S	RUN TEE,STRAIGHT THREAD
66396	811-12	HOSE,3/4 INCH ID
66829	H3174PP	CLAMP,TUBE
67217	4 KLO-S	UNION,CROSS,ORFS
67339	10-6 F5OX-S	CONNECTOR,STRAIGHT THREAD TO FLARE TUBE
67357	13943-8-6	HOSE END,90° FEMALE SWIVEL,JIC
67358	10 HP5ON-S	PLUG,STRAIGHT THREAD
67371	12 S6LO-S	BRANCH TEE,SWIVEL NUT TO ORFS
67498	4 FNL-S	CAP, TUBE END
67906	DC-370-F0F0-5	VALVE,CHECK
69316	8 FLO-S	CONNECTOR,MALE PIPE TO ORFS
69333	H3174PP	CLAMP,HYDRAULIC HOSE
69503	4 F65OX-S	CONNECTOR,STRAIGHT THREAD TO 37° SWIVEL
69775	8 FNL-S	CAP, TUBE END
71038	1/4X1/4F3HG-S	ADAPTER,CONVERSION
71196	12-8 F5OLO-S	CONNECTOR,STRAIGHT THREAD TO ORFS
71383	1/4 CD45-S	ELBOW,45°,MALE TO FEMALE PIPE
72270	12FNL-S	CAP, TUBE END
73436	60C-4	SLEEVE,COMPRESSION
73437	61C-4	NUT,COMPRESSION
73438	33482-4-4B	HOSE END,PUSH LOK,MALE
73767	1CD-S	ELBOW,90°,MALE TO FEMALE PIPE
73768	20-16-F5OG5-S	ADAPTER,FEMALE PIPE TO STRAIGHT THREAD
73769	16-20 F5OLO-S	CONNECTOR,STRAIGHT THREAD TO ORFS
74660	6-8 F42EDMLO-S	CONNECTOR,MALE BSPP TO ORFS
74661	8-8 F42EDMLO-S	CONNECTOR,MALE BSPP TO ORFS
75007	4 FLO-S	CONNECTOR,MALE PIPE TO ORFS
75008	1/8 HP-S	PLUG,PIPE THREAD
75014	1/2 HP-S	PLUG,PIPE THREAD
75042	8 WELO-WLNL-S	UNION,90° BULKHEAD W/NUT,ORFS
75043	3/4 FF-S	NIPPLE,PIPE
75254	24 F5OHAO-S	UNION,STRAIGHT THREAD
75255	12 F5OHAO-S	UNION,STRAIGHT THREAD
75256	XV506P-24	BALL VALVE
75574	4 WLNL-S	BULKHEAD LOCKNUT
75612	8 WJLO-WLNL-S	RUN TEE, BULKHEAD,ORFS
75613	12-8 F5OG5-S	ADAPTER,FEMALE PIPE TO STRAIGHT THREAD
75614	8 CC5OLO-S	ELBOW,90° LONG,STRAIGHT THREAD TO ORFS
75628	1JB43-4-4	HOSE END,BULKHEAD,SEAL LOK

Genie PN	Parker PN	Description
75631	801-6	HOSE,3/8 INCH ID
75654	20 F5OLO-S	CONNECTOR,STRAIGHT THREAD TO ORFS
75655	1J943-20-20	HOSE END,90° FEMALE SWIVEL,SEAL LOK
75656	881-20	HOSE,1-1/4 INCH ID
75971	8 F5OHAO-S	UNION,STRAIGHT THREAD
77307	1JB43-8-8	HOSE END,BULKHEAD,SEAL LOK
77309	8 WLNL-S	BULKHEAD LOCKNUT
77379	8M18C87OMX-S	ELBOW,90° METRIC,STRAIGHT THREAD TO FLARE TUBE
77703	3J982-8-8	HOSE END,90° FEMALE SWIVEL,SEAL LOK
77711	801-10	HOSE,5/8 INCH ID
77758	12 WNLO-WLNL-S	UNION,BULKHEAD 45°,ORFS
78091	6 C6X-S	ELBOW,90°,SWIVEL NUT TO FLARE TUBE
78684	30582-8-8B	HOSE END,PUSH LOK,MALE
78852	549-2	HOSE,1/8 INCH ID
78855	10657-4-2	HOSE END,FEMALE SWIVEL,JIC
79138	PS-B-37	SLEEVE,NYLON,2.38" ID
79476	1JS43-6-8	HOSE END,FEMALE SWIVEL,SEAL LOK
79847	12-3/4 A0EG-S	ELBOW,90°,STRAIGHT THREAD TO FEMALE PIPE
80044	8 CLO-S	ELBOW,90°,MALE PIPE TO ORFS
80502	8 F5OX-S	CONNECTOR,STRAIGHT THREAD TO FLARE TUBE
80503	8 C5OX-S	ELBOW,90°,STRAIGHT THREAD TO FLARE TUBE
81010	AS-B-27	SLEEVE,NYLON,1.63" ID
83052	821-6	HOSE,3/8 INCH ID
83053	821-8	HOSE,1/2 INCH ID
83054	821-12	HOSE,3/4 INCH ID
83055	30682-6-6	HOSE END,FEMALE SWIVEL,JIC
83056	30682-12-12	HOSE END,FEMALE SWIVEL,JIC
83057	33782-6-6	HOSE END,45° FEMALE SWIVEL,JIC
83058	33982-6-6	HOSE END,90° FEMALE SWIVEL,JIC
83060	33982-12-12	HOSE END,90° FEMALE SWIVEL,JIC
83063	13743-4-4	HOSE END,45° FEMALE SWIVEL,JIC

Fitting Cross References (Continued)

Genie PN	Parker PN	Description	Genie PN	Parker PN	Description
83064	13743-8-8	HOSE END,45° FEMALE SWIVEL,JIC	89449	6 WJLO-WLNL-S	RUN TEE, BULKHEAD,ORFS
83065	13743-12-12	HOSE END,45° FEMALE SWIVEL,JIC	89489	4 WJMLO-S	BRANCH TEE,BULKHEAD,ORFS
83066	13943-8-8	HOSE END,90° FEMALE SWIVEL,JIC	89551	1JB43-6-6	HOSE END,BULKHEAD,SEAL LOK
83067	14143-6-6	HOSE END,90° FEMALE SWIVEL,JIC	89552	1JB43-8-8	HOSE END,BULKHEAD,SEAL LOK
83068	14143-8-8	HOSE END,90° FEMALE SWIVEL,JIC	89593	20 C5OLO-S	ELBOW,90°,STRAIGHT THREAD TO ORFS
83069	14143-12-12	HOSE END,90° FEMALE SWIVEL,JIC	94161	8-8 CLO-S	ELBOW,90°,MALE PIPE TO ORFS
83070	772-8	HOSE,1/2 INCH ID	94358	351TC-12	HOSE,3/4 INCH ID
83071	10671-8-8	HOSE END,FEMALE SWIVEL,JIC	94418	20 FLO-S	CONNECTOR,MALE PIPE TO ORFS
83072	10671-12-12	HOSE END,FEMALE SWIVEL,JIC	96358	12 TX-S	SLEEVE,FLARE TUBE
83073	13771-8-8	HOSE END,45° FEMALE SWIVEL,JIC	96359	12 BTX-S	NUT,FLARE TUBE
83074	13771-12-12	HOSE END,45° FEMALE SWIVEL,JIC	96397	8 F5OX-S	CONNECTOR,STRAIGHT THREAD TO FLARE TUBE
83075	13971-8-8	HOSE END,90° FEMALE SWIVEL,JIC	96398	12-8 F5OX-S	CONNECTOR,STRAIGHT THREAD TO FLARE TUBE
83076	13971-12-12	HOSE END,90° FEMALE SWIVEL,JIC	96402	10343-6-6	HOSE END,MALE,JIC
83077	14171-8-8	HOSE END,90° FEMALE SWIVEL,JIC	96407	30382-6-6B	HOSE END,MALE,JIC
83078	14171-12-12	HOSE END,90° FEMALE SWIVEL,JIC			
83080	13943-16-16	HOSE END,90° FEMALE SWIVEL,JIC			
83103	10671-16-12	HOSE END,FEMALE SWIVEL,JIC			
83104	10671-10-12	HOSE END,FEMALE SWIVEL,JIC			
83112	1JC71-8-8	HOSE END,FEMALE SWIVEL,SEAL LOK			
83113	1JS71-16-12	HOSE END,FEMALE SWIVEL,SEAL LOK			
83114	1JS71-10-12	HOSE END,FEMALE SWIVEL,SEAL LOK			
83115	1J971-8-8	HOSE END,90° FEMALE SWIVEL,SEAL LOK			
83116	1J171-8-8	HOSE END,90° FEMALE SWIVEL,SEAL LOK			
83117	1J771-8-8	HOSE END,45° FEMALE SWIVEL,SEAL LOK			
83127	1J543-6-8	HOSE END,90° FEMALE SWIVEL,JIC			
83128	1JC43-6-8	HOSE END,FEMALE SWIVEL,SEAL LOK			
87033	12-6 TRLO-S	REDUCER,TUBE END TO SWIVEL,ORFS			
87034	3J782-8-8	HOSE END,45° FEMALE SWIVEL,SEAL LOK			
87172	12 HP5ON-S	PLUG,STRAIGHT THREAD			
87185	8 WNLO-WLNL-S	UNION,BULKHEAD 45°,ORFS			
87246	4 C6X-S	ELBOW,90°,SWIVEL NUT TO FLARE TUBE			
87679	6 LHP-S	FLANGE SEAL FITTING, MALE			
87681	6PLS N0702	BONDED SEAL			
88100	SR88100	ADAPTER,OIL DRAIN,GM 3.0L			
88311	1JS43-20-20	HOSE END,FEMALE SWIVEL,SEAL LOK			
88353	20 V5OLO-S	ELBOW,45°,STRAIGHT THREAD TO ORFS			
88474	10081-20	Crimp Shell, 1.25"			
88475	1988-20-24	HOSE END,90° FLANGE HEAD			
88476	JS88-24-24	HOSE END,FEMALE SWIVEL,SEAL LOK			
88477	1JC88-20-20	HOSE END,FEMALE SWIVEL,SEAL LOK			
88478	811-20	HOSE,11/4 INCH ID			
88936	20-16 F5OLO-S	CONNECTOR,STRAIGHT THREAD TO ORFS			
88937	20-16 FLO-S	CONNECTOR,MALE PIPE TO ORFS			
88938	1JC88-16-16	HOSE END,FEMALE SWIVEL,SEAL LOK			
88939	1J988-16-16	HOSE END,90° FEMALE SWIVEL,ORFS			
88940	811-16	HOSE,1 INCH ID			
88944	1J988-20-20	HOSE END,90° FEMALE SWIVEL,ORFS			
89403	16 VLO-S	ELBOW,45°,MALE PIPE TO ORFS			

California Proposition 65

Warning

The exhaust from this product contains chemicals known to the State of California to cause cancer, birth defects or other reproductive harm.

Genie North America

Phone 425.881.1800
Toll Free USA and Canada
800.536.1800
Fax 425.883.3475

Genie Australia Pty Ltd.

Phone +61 7 3375 1660
Fax +61 7 3375 1002

Genie China

Phone +86 21 53852570
Fax +86 21 53852569

Genie Malaysia

Phone +65 98 480 775
Fax +65 67 533 544

Genie Japan

Phone +81 3 3453 6082
Fax +81 3 3453 6083

Genie Korea

Phone +82 25 587 267
Fax +82 25 583 910

Genie Brasil

Phone +55 11 41 665 755
Fax +55 11 41 665 754

Genie Holland

Phone +31 183 581 102
Fax +31 183 581 566

Genie Scandinavia

Phone +46 31 575100
Fax +46 31 579020

Genie France

Phone +33 (0)2 37 26 09 99
Fax +33 (0)2 37 26 09 98

Genie Iberica

Phone +34 93 579 5042
Fax +34 93 579 5059

Genie Germany

Phone +49 (0)4202 88520
Fax +49 (0)4202 8852-20

Genie U.K.

Phone +44 (0)1476 584333
Fax +44 (0)1476 584334

Genie Mexico City

Phone +52 55 5666 5242
Fax +52 55 5666 3241

Distributed By:

Parts Manual

Z-51/30J

*from SN Z513014B-1201 to Z513016B-1517
from SN Z513016M-1518 to Z513016M-1999
from SN Z5130M-2000*

Part No.
1251779

Rev A14

