

Zebra® ZE500™ Series

User Guide



© 2014 ZIH Corp. The copyrights in this manual and the software and/or firmware in the print engine described therein are owned by ZIH Corp. and Zebra's licensors. Unauthorized reproduction of this manual or the software and/or firmware in the print engine may result in imprisonment of up to one year and fines of up to \$10,000 (17 U.S.C.506). Copyright violators may be subject to civil liability.

This product may contain ZPL[®], ZPL II[®], and ZebraLink[™] programs; Element Energy Equalizer[®] Circuit; E³[®]; and Monotype Imaging fonts. Software © ZIH Corp. All rights reserved worldwide.

ZebraLink and all product names and numbers are trademarks, and Zebra, the Zebra logo, ZPL, ZPL II, Element Energy Equalizer Circuit, and E³ Circuit are registered trademarks of ZIH Corp. All rights reserved worldwide.

All other brand names, product names, or trademarks belong to their respective holders. For additional trademark information, please see "Trademarks" on the product CD.

Proprietary Statement This manual contains proprietary information of Zebra Technologies Corporation and its subsidiaries ("Zebra Technologies"). It is intended solely for the information and use of parties operating and maintaining the equipment described herein. Such proprietary information may not be used, reproduced, or disclosed to any other parties for any other purpose without the express, written permission of Zebra Technologies.

Product Improvements Continuous improvement of products is a policy of Zebra Technologies. All specifications and designs are subject to change without notice.

Liability Disclaimer Zebra Technologies takes steps to ensure that its published Engineering specifications and manuals are correct; however, errors do occur. Zebra Technologies reserves the right to correct any such errors and disclaims liability resulting therefrom.

Limitation of Liability In no event shall Zebra Technologies or anyone else involved in the creation, production, or delivery of the accompanying product (including hardware and software) be liable for any damages whatsoever (including, without limitation, consequential damages including loss of business profits, business interruption, or loss of business information) arising out of the use of, the results of use of, or inability to use such product, even if Zebra Technologies has been advised of the possibility of such damages. Some jurisdictions do not allow the exclusion or limitation of incidental or consequential damages, so the above limitation or exclusion may not apply to you.

DECLARATION OF CONFORMITY

ZEBRA TECHNOLOGIES CORPORATION

Declares that the following Information Technology Equipment
Zebra ZE500-4 and ZE500-6
complies with the following applicable directives and standards for the
ITE: Heavy Industry environment

Applicable Directives and Supporting Standards:

2004/108/EC EMC Directive, EN55022:2010 Class A,
EN55024:2010EN61000-3-2:2006 + A2:2009, EN61000-3-3:2008,
2006/95/EC LVD Directive, EN60950-1:2006 (2nd Edition) +A11:2009 +A1:2010+A12:2011,
CB Scheme

RLAN Enabled (if equipped)

Applicable Directives and Supporting Standards:

99/5/EC R&TTE Directive, EN 301 489-17 V1.3.2:2008, EN 300 328 V1.8.1:2012

Manufactured for Zebra Technologies Corporation by:

Jabil Circuit (Guangzhou) Ltd No. 1 Branch Company
Lianyun Road 388, Eastern Zone,
Guangzhou Economic & Technological Development District
Guangdong Province, China

The equipment specified conforms to all Directives and Standards listed above effective as of the date below.

Effective Date: 11 July 2012

Compliance Information

FCC Compliance Statement

This device complies with Part 15 of the FCC rules. Operation is subject to the following two conditions:

1. This device may not cause harmful interference, and
2. This device must accept any interference received, including interference that may cause undesired operation.



Note • This equipment has been tested and found to comply with the limits for a Class B digital device, pursuant to part 15 of the FCC Rules. These limits are designed to provide reasonable protection against harmful interference in a residential installation. This equipment generates, uses, and can radiate radio frequency energy and, if not installed and used in accordance with the instructions, may cause harmful interference to radio communications. However, there is no guarantee that interference will not occur in a particular installation. If this equipment does cause harmful interference to radio or television reception, which can be determined by turning the equipment off and on, the user is encouraged to try to correct the interference by one or more of the following measures:

- Reorient or relocate the receiving antenna.
- Increase the separation between the equipment and receiver.
- Connect the equipment into an outlet on a circuit different from that to which the receiver is connected.
- Consult the dealer or an experienced radio/TV technician for help.

FCC Radiation Exposure Statement (for print engines with RFID encoders)

This equipment complies with FCC radiation exposure limits set forth for an uncontrolled environment. This equipment should be installed and operated with minimum distance 20cm between the radiator and your body.

This transmitter must not be co-located or operating in conjunction with any other antenna or transmitter.

Canadian DOC Compliance Statement

This Class B digital apparatus complies with Canadian ICES-003.

Cet appareil numérique de la classe B est conforme à la norme NMB-003 du Canada.

Contents

About This Document	9
Who Should Use This Document	10
How This Document Is Organized	10
1 • Introduction	11
Print Engine Orientation	12
Print Engine Components	13
Control Panel	14
Control Panel Display	15
Navigating in the Display	15
Changing Password-Protected Parameters	18
Default Password Value	18
Disable the Password Protection Feature	18
Operating Parameters on the Control Panel	19
Types of Media	37
Ribbon Overview	39
When to Use Ribbon	39
Coated Side of Ribbon	39
2 • Printer Setup and Operation	41
Handling the Print Engine	42
Unpack and Inspect the Print Engine	42
Remove Additional Shipping Materials	42
To Store the Print Engine	45
To Ship the Print Engine	45

Print Engine Installation	46
Requirements	46
Dimensions and Clearance Needs	47
Install the Print Engine in an Applicator	52
Select a Data Communication Interface	53
Data Cables	56
Connect the Print Engine to a Power Source	57
Power Cord Specifications	58
Load Ribbon and Media	60
3 • Printer Configuration and Adjustment	69
Changing Printer Settings	70
Print Settings	71
Maintenance and Diagnostic Tools	80
Network Settings	87
Language Settings	91
Sensor Settings	93
Port Settings	94
Calibrate the Ribbon and Media Sensors	97
Remove Used Ribbon	101
Adjust the Sensors	102
Transmissive Media Sensor	102
Reflective Media Sensor	103
Ribbon Sensor	103
Toggle Positioning	104
Printhead Pressure Adjustment	106
4 • Routine Maintenance	109
Cleaning Schedule	110
Clean the Exterior	110
Clean the Media Compartment	111
Clean the Printhead and Rollers	111
Replacing Print Engine Components	113
Ordering Replacement Parts	113
Recycling Print Engine Components	113
Lubrication	113
5 • Troubleshooting	115
Printing Issues	116
Ribbon Problems	119
RFID Problems	120
Error Messages	123
Communications Problems	128

- Miscellaneous Issues 129
- Print Engine Diagnostics 131
 - Power-On Self Test 131
 - CANCEL Self Test 132
 - PAUSE Self Test 133
 - FEED Self Test 134
 - FEED + PAUSE Self Test 137
 - CANCEL + PAUSE Self Test 137
 - Communication Diagnostics Test 138
 - Sensor Profile 139
- 6 • Specifications 141**
 - General Specifications 142
 - Printing Specifications 143
 - Ribbon Specifications 143
 - Media Specifications 144
- A • Applicator Interface Board Reconfiguration 145**
 - Tools Required 145
 - Changing Jumper Settings for Isolated Mode 146
- Glossary 157**

About This Document

This section provides you with contact information, document structure and organization, and additional reference documents.

Contents

Who Should Use This Document	10
How This Document Is Organized	10
Contacts	27
Document Conventions	11

Who Should Use This Document

This User Guide is intended for use by any person who needs to perform routine maintenance, upgrade, or troubleshoot problems with the print engine.

How This Document Is Organized

The User Guide is set up as follows:

Section	Description
<i>Introduction on page 11</i>	This section provides a high-level overview of the printer and its components.
<i>Printer Setup and Operation on page 41</i>	This section assists the technician with initial setup and operation of the print engine.
<i>Printer Configuration and Adjustment on page 69</i>	This section assists you with configuration of and adjustments to the print engine.
<i>Routine Maintenance on page 109</i>	This section provides routine cleaning and maintenance procedures.
<i>Troubleshooting on page 115</i>	This section provides information about errors that you might need to troubleshoot. Assorted diagnostic tests are included.
<i>Specifications on page 141</i>	This section lists general printer specifications, printing specifications, ribbon specifications, and media specifications.
<i>Glossary on page 157</i>	The glossary provides a list of common terms.

Introduction

This section provides a high-level overview of the printer and its components.

Contents

Print Engine Orientation	12
Print Engine Components	13
Control Panel	14
Control Panel Display	15
Navigating in the Display	15
Changing Password-Protected Parameters.	18
Default Password Value	18
Disable the Password Protection Feature	18
Operating Parameters on the Control Panel	19
Types of Media	47
Ribbon Overview	39
When to Use Ribbon	39
Coated Side of Ribbon	39

Print Engine Orientation

The ZE500 print engines are available in a right-hand configuration (the print mechanism is on the right) and a left-hand configuration (the print mechanism is on the left).

Figure 1 • Left-Hand (LH) Print Engine

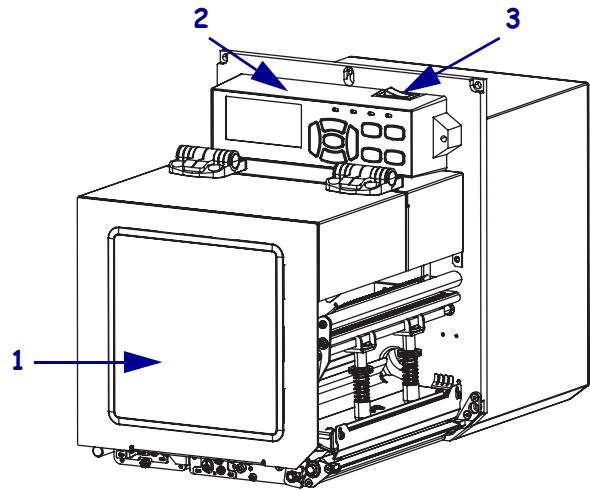
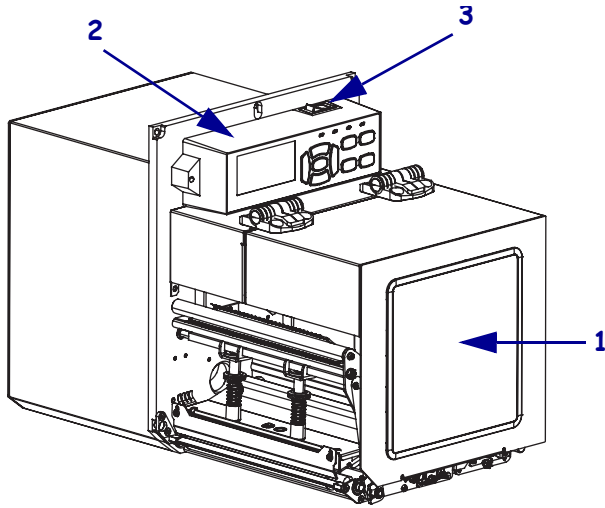


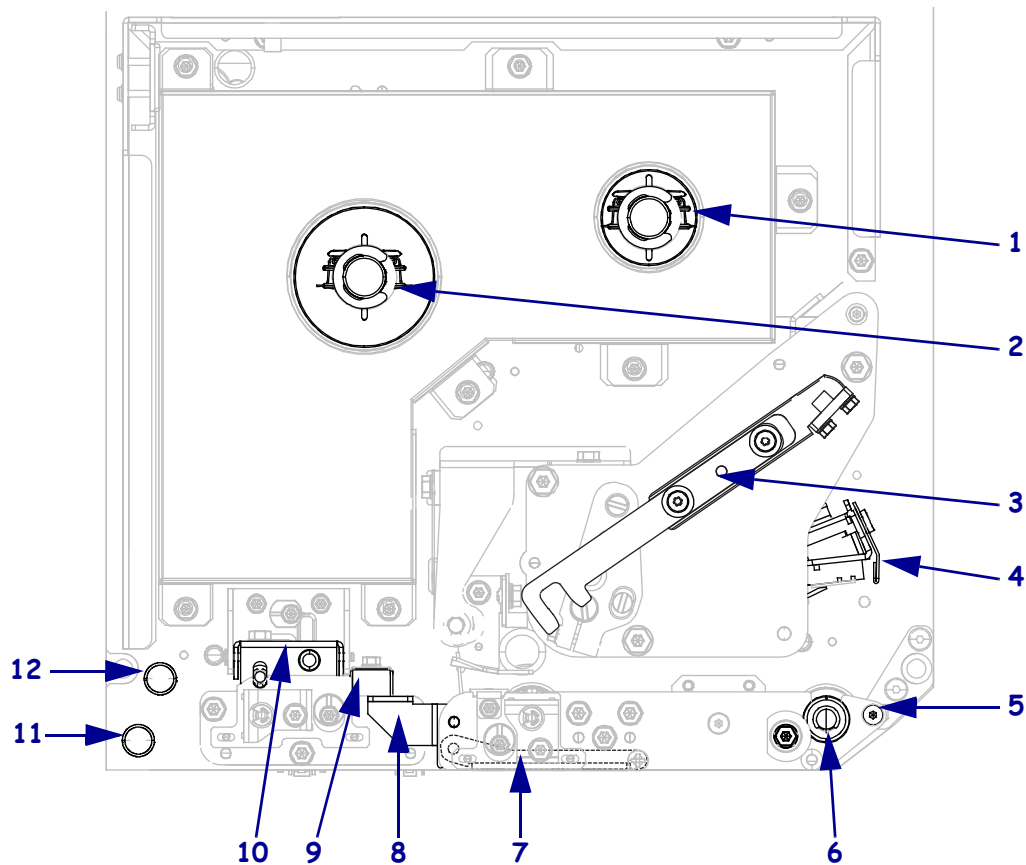
Figure 2 • Right-Hand (RH) Print Engine

1	media door
2	control panel
3	power switch

Print Engine Components

Figure 3 shows the components inside the media compartment of a right-hand print engine. A left-hand unit contains a mirror image of these components. Familiarize yourself with these components before continuing with the print engine setup procedure.

Figure 3 • Print Engine Components (RH model shown)

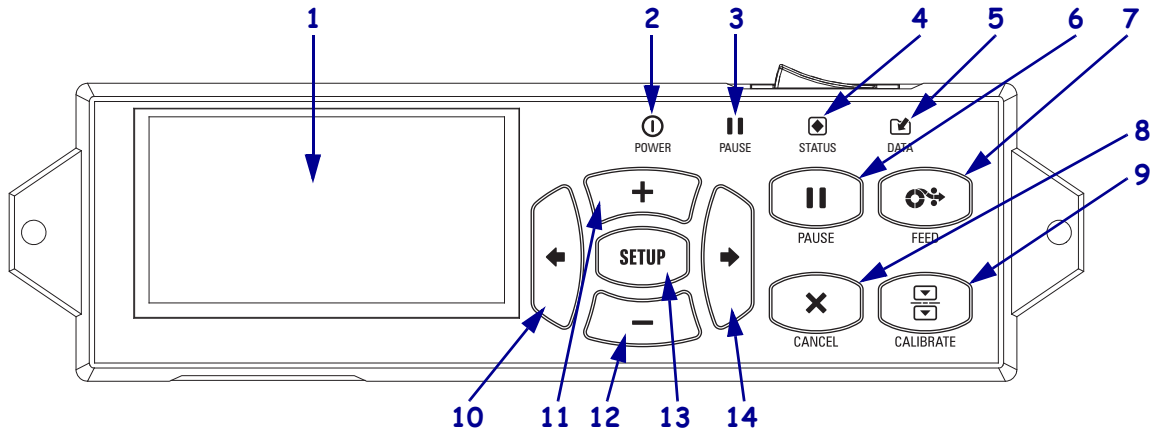


1	ribbon take-up spindle	7	peel roller assembly (hidden when closed)
2	ribbon supply spindle	8	peel roller latch
3	printhead-release latch	9	media guide
4	printhead assembly (shown open)	10	pinch roller assembly
5	peel bar	11	lower guide post
6	platen roller	12	upper guide post

Control Panel

All controls and indicators for the print engine are located on the control panel (Figure 4). The power switch is located on top of the control panel.

Figure 4 • Control Panel



1	The display shows the print engine's operating status and allows the user to navigate the menu system.		
2	POWER light	On when the print engine is on.	
3	PAUSE light	On when the print engine is paused.	
4	STATUS light	Off	Normal operation—no print engine errors.
		On	A print engine error exists. Check the display for more information.
5	DATA light	Off	Normal operation. No data being received or processed.
		On	The print engine is processing data or is printing. No data is being received.
		Blinking	The print engine is receiving data from or sending status information to the host computer.
6	The PAUSE button starts or stops print engine operation when pressed.		
7	The FEED button forces the print engine to feed one blank label each time the button is pressed.		
8	The CANCEL button cancels print jobs when the print engine is paused.		
9	The CALIBRATE button calibrates the print engine for media length and sensor values.		
10	The LEFT ARROW navigates to the previous parameter in the menus.		
11	The PLUS (+) button changes the parameter values. Common uses are to increase a value, to scroll through choices, or to change values while entering the print engine password.		
12	The MINUS (-) button changes the parameter values. Common uses are to decrease a value, to scroll through choices, or to change the cursor position while entering the print engine password.		
13	The SETUP/EXIT button enters and exits configuration mode.		
14	The RIGHT ARROW navigates to the next parameter in the menus.		

Control Panel Display

The control panel includes a display, where you can view the print engine’s status or change its operating parameters. In this section, you will learn how to navigate through the menu system and change values for menu items.

After the print engine completes the power-up sequence, it moves to the Idle Display (Figure 5).

Figure 5 • Idle Display



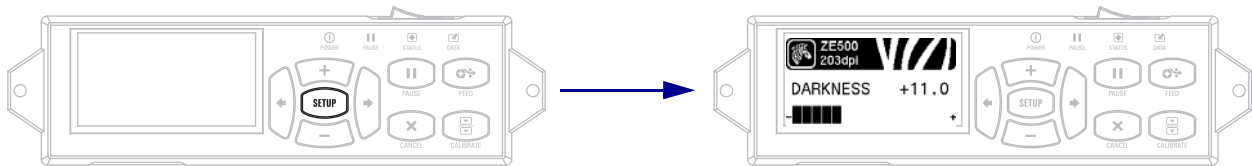
1	The printer’s current status
2	Information that you set through <i>Idle Display</i> on page 86

Navigating in the Display

Table 1 shows the options available for navigating through the parameters in the display.

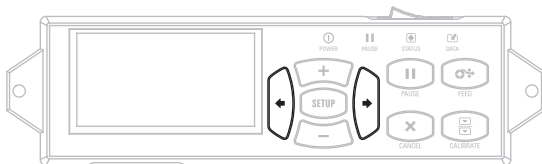
Table 1 • Navigation

Enter Setup Mode



At the Idle Display (Figure 5), press **SETUP** to enter Setup Mode. The printer displays the first parameter.

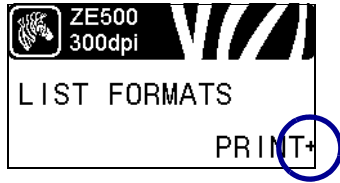
Scroll through the Parameters



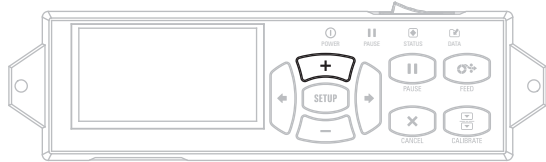
To scroll through the parameters, press the **LEFT ARROW** or the **RIGHT ARROW**.

Table 1 • Navigation (Continued)

Perform an action



+ indicates that an action can be performed.

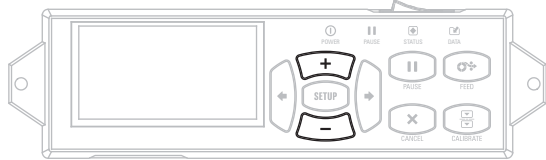


Press **PLUS (+)** to perform the specified action.

Change Parameter Values



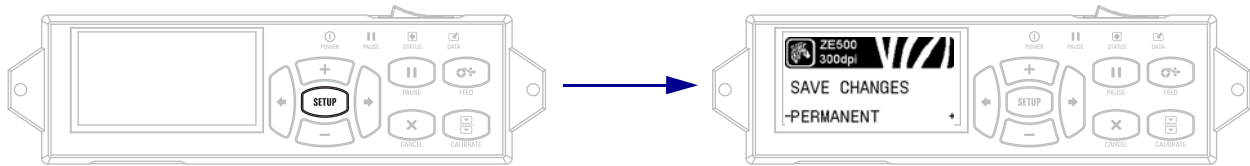
- and + indicate that a value can be changed.



Press **PLUS (+)** or **MINUS (-)** to scroll through the accepted values.

Table 1 • Navigation (Continued)

Exit Setup Mode



1. While in Setup Mode, press **SETUP** to exit the operating parameters. The LCD displays **SAVE CHANGES**.
2. To return to the parameters, plus the **LEFT ARROW**.
OR
Press **PLUS (+)** or **MINUS (-)** to scroll through the exit options.

PERMANENT	Stores values in the print engine even when power is turned off.
TEMPORARY	Saves the changes until power is turned off.
CANCEL	This option cancels all changes made since you entered Setup mode, except for changes made to DARKNESS, TEAR OFF, COMMUNICATION, and LANGUAGE settings, which go into effect as soon as they are made.
LOAD DEFAULTS	Use this option to restore all settings other than the network settings back to the factory defaults. Use care when loading defaults because you will need to reload all settings that you changed manually.
LOAD LAST SAVE	Loads the values from the last permanent save.
DEFAULT NET	Use this option to restore all print server and network settings back to the factory defaults. Use care when loading defaults because you will need to reload all settings that you changed manually.

3. Press the **RIGHT ARROW** to select the displayed choice and exit Setup Mode.
When the configuration and calibration sequence finishes, the print engine returns to the Idle Display.

Changing Password-Protected Parameters

Certain parameters, including the communication parameters, are password-protected by factory default.

Caution • Do not change password-protected parameters unless you have a complete understanding of the parameters' functions. If the parameters are set incorrectly, the print engine may function unpredictably.

The first time that you attempt to change a password-protected parameter, the print engine displays **ENTER PASSWORD**. Before you can change the parameter, you must enter the four-digit numeric password. After you have entered the password correctly, you do not have to enter it again unless you leave Setup mode by pressing **SETUP/EXIT** or by turning off (O) the print engine.

To enter a password for a password-protected parameter, complete these steps:

1. At the password prompt, use **MINUS (-)** to change the selected digit position.
2. When you have selected the digit that you wish to change, use **PLUS (+)** to increase the selected digit value. Repeat these two steps for each digit of the password.
3. After entering the password, press **SELECT**.

The parameter you selected to change is displayed. If the password was entered correctly, you can change the value.

Default Password Value

The default password value is **1234**. The password can be changed using the Zebra Programming Language (ZPL) command **^KP** (Define Password) or using the print engine's web pages (ZebraNet wired or wireless print server required).

Disable the Password Protection Feature

You can disable the password protection feature so that it no longer prompts you for a password by setting the password to **0000** via the **^KP** ZPL command. To re-enable the password-protection feature, send the ZPL command **^KPx**, where **x** can be any number from 1 to 9999.

Operating Parameters on the Control Panel

Items in this menu are shown in the order in which they appear when you press the **RIGHT ARROW**. For more information about these settings, see [Print Settings on page 71](#).

For information about RFID parameters, refer to *RFID Programming Guide 2*. You can download the latest copy from <http://www.zebra.com/manuals>.



Adjust the Print Darkness

Set the darkness to the lowest setting that provides good print quality. If you set the darkness too high, the label image may print unclearly, bar codes may not scan correctly, the ribbon may burn through, or the printhead may wear prematurely.

See [Print Darkness on page 71](#) for more information.



Select the Print Speed

Select the speed for printing a label (given in inches per second). Slower print speeds typically yield better print quality.

See [Print Speed on page 71](#) for more information.



Set the Slew Speed

The slew speed is the speed at which the printer skips over the areas in a label format that are blank across the full width of the image. A faster slew speed may reduce printing time. The print engine automatically senses when to apply this higher speed.

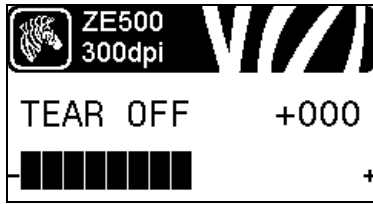
See [Slew Speed on page 71](#) for more information.



Set the Backfeed Speed

Backfeed refers to the backward motion of the media from the tear-off or peel-off position to the print position. This motion occurs so that more of the lead edge of each label can be used for printing. Reducing backfeed speed can mitigate some issues. In general, reducing the backfeed speed may improve print quality at the start of the label. This speed defaults to 2 ips.

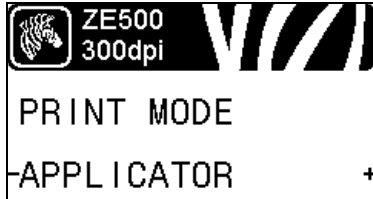
See [Backfeed Speed on page 72](#) for more information.



Adjust the Tear-Off Position

If necessary, adjust the position of the media over the tear-off bar after printing.

See [Tear-Off Position on page 72](#) for more information.



Select the Print Mode

Select a print mode that is compatible with your print engine options.

See [Print Mode on page 73](#) for more information.



Select the Applicator Port Mode

Select the appropriate action for the applicator port, as suggested by the applicator manufacturer.

See [Applicator Port on page 73](#) for more information.



Select the Start Print Signal

This parameter determines how the print engine reacts to the Start Print Signal input on pin 3 of the applicator interface connector at the rear of the print engine.



Important • The Start Print Signal is determined by the applicator manufacturer. The print engine must use the correct setting for it to work properly.

See [Start Print Signal on page 74](#) for more information.



Set the Media Type

Select the type of media that you are using.

See [Media Type on page 74](#) for more information.



Select the Media Sensor

Select the media sensor that is appropriate for the media that you are using.

See [Sensor Type on page 93](#) for more information.

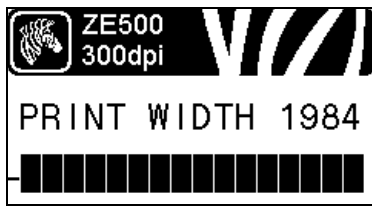


Select the Print Method

Specify if ribbon is being used. Thermal Transfer media requires ribbon for printing while Direct Thermal media does not.

To determine if you need to use ribbon, see [When to Use Ribbon on page 39](#).

See [Print Method on page 74](#) for more information.



Adjust the Print Width

Specify the width of the labels being used.

See [Print Width on page 75](#) for more information.



Set the Maximum Label Length

Set the maximum label length to a value that is at least 1.0 in. (25.4 mm) greater than the actual label length plus the interlabel gap. If you set the value to one that is smaller than the label length, the print engine assumes that continuous media is loaded, and the print engine cannot calibrate.

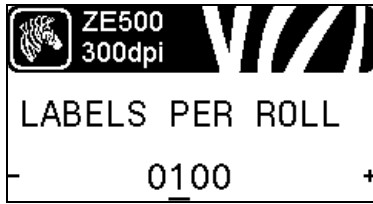
See [Maximum Label Length on page 76](#) for more information.



Set Early Warning for Media and Ribbon

When this feature is enabled, the print engine provides warnings when the media or ribbon is reaching near the end of the roll.

See [Early Warning for Media and Ribbon on page 80](#) for more information.



Set Number of Labels Per Roll for Early Warning

This value should correspond to the number of labels per roll of the media that you are using.

See [Early Warning for Media and Ribbon on page 80](#) for more information.

* This parameter appears only if Early Warning for Media and Ribbon is enabled.



Reset Media Counter for Early Warning

Reset the media counter after you replace the media roll.

- If you replaced the media, press **PLUS (+)** to select YES.
- If you did not replace the media, press **MINUS (-)** to select NO, or press the **LEFT ARROW** or **RIGHT ARROW** to move to another parameter.

* This parameter appears only if Early Warning for Media and Ribbon is enabled.



Set Ribbon Length for Early Warning

This value should correspond to the ribbon length for the ribbon that you are using.

See [Early Warning for Media and Ribbon on page 80](#) for more information.

* This parameter appears only if Early Warning for Media and Ribbon is enabled.

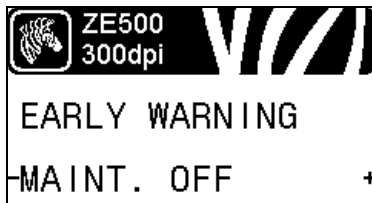


Reset Ribbon Counter for Early Warning

Reset the ribbon counter after you replace the roll of ribbon.

- If you replaced the ribbon, press **PLUS (+)** to select YES.
- If you did not replace the ribbon, press **MINUS (-)** to select NO, or press the **LEFT ARROW** or **RIGHT ARROW** to move to another parameter.

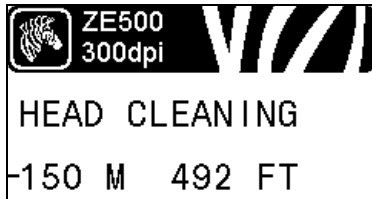
* This parameter appears only if Early Warning for Media and Ribbon is enabled.



Set Early Warning for Maintenance

When this feature is enabled, the print engine provides warnings when the printhead needs to be cleaned.

See [Early Warning for Maintenance on page 80](#) for more information.

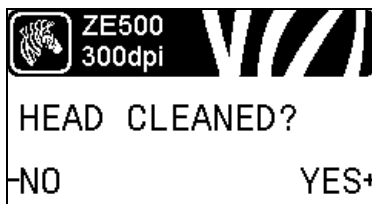


Set Printhead Cleaning Interval*

When Early Warning for Maintenance is enabled, set this value to the length of the media or ribbon roll that you are using.

See [Printhead Cleaning Interval on page 80](#) for more information.

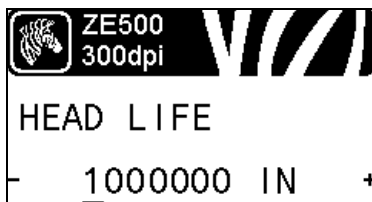
* *This parameter appears only if Early Warning for Maintenance is enabled.*



Reset Printhead Cleaning Counter for Early Warning*

- If you received the message WARNING CLEAN PRINTHEAD, clean the printhead, and then press **PLUS** to select YES to reset the Early Warning for Maintenance printhead cleaning counter.
- If you have not cleaned the printhead, press **MINUS** to select NO.

* *This parameter appears only if Early Warning for Maintenance is enabled.*



Set Printhead Life Expectancy*

When Early Warning for Maintenance is enabled, set this value to the number of inches of media that the printhead is expected to print.

See [Printhead Life Expectancy on page 80](#) for more information.

* *This parameter appears only if Early Warning for Maintenance is enabled.*



Reset New Printhead Counter for Early Warning*

- If you received the message WARNING REPLACE HEAD, replace the printhead, and then press **PLUS (+)** to select YES to reset the Early Warning for Maintenance printhead replacement counter.
- If you have not replaced the printhead, press **MINUS (-)** to select NO.

* *This parameter appears only if Early Warning for Maintenance is enabled.*



View the Non-Resettable Counter

This parameter displays the total length of media that the printer has printed.

See [Non-Resettable Counter on page 81](#) for more information.



View User-Controlled Counter 1

This parameter displays the total length of media that the printer has printed since this counter was last reset.

See [User-Controlled Counters on page 81](#) for more information.



View User-Controlled Counter 2

This parameter displays the total length of media that the printer has printed since this counter was last reset.

See [User-Controlled Counters on page 81](#) for more information.



Print Counter Readings

Prints a label that lists the odometer readings for the following:

- the non-resettable counter
- the two user-controlled counters
- the Early Warning for Maintenance counters, which indicate when the printhead was last cleaned and the printhead life (If the Early Warning for Maintenance feature is disabled, the counters related to it do not print.)

See [Print Counter Readings on page 81](#) for more information.



Print Font List

This option prints a label that lists the available fonts in the print engine, including standard print engine fonts plus any optional fonts. Fonts may be stored in RAM or Flash memory.

See [Print Information on page 82](#) for more information.



Print Bar Code List

This option prints a label that lists the available bar codes in the print engine. Bar codes may be stored in RAM or Flash memory.

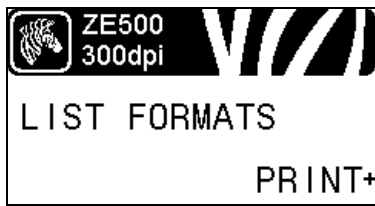
See [Print Information on page 82](#) for more information.



Print Image List

This option prints a label that lists the available images stored in the print engine's RAM, Flash memory, or optional memory card.

See [Print Information on page 82](#) for more information.



Print Format List

This option prints a label that lists the available formats stored in the print engine's RAM, Flash memory, or optional memory card.

See [Print Information on page 82](#) for more information.



Print Configuration Label

This option prints a configuration label (see [Figure 12 on page 132](#)), which lists the current print engine configuration.

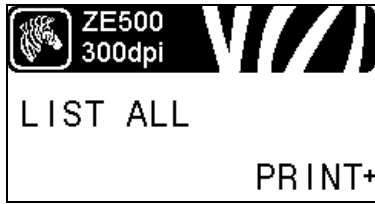
See [Print Information on page 82](#) for more information.



Print Network Configuration Label

This option prints a configuration label (see [Figure 13 on page 132](#)), which lists the settings for any print server that is installed.

See [Print Information on page 82](#) for more information.



Print All Labels

This option prints labels that list the available fonts, bar codes, images, formats, and the current print engine and network configurations.

See [Print Information on page 82](#) for more information.



Initialize Flash Memory

This option erases all previously stored information from Flash memory.

1. If prompted for a password, enter the printer password. For instructions, see [Changing Password-Protected Parameters on page 18](#).

The display shows INITIALIZE FLASH?

2. Press PLUS (+) to select YES.

The display shows ARE YOU SURE?.

3. Do you want to continue?

- Press **MINUS** (-) to select NO to cancel the request and return to the INITIALIZE FLASH prompt.
- Press **PLUS** (+) to select YES and begin initialization. When initialization is complete, the control panel displays INITIALIZING COMPLETED.



Note • Initializing memory can take several minutes.

See [Initialize Flash Memory on page 82](#) for more information.



Print a Sensor Profile

Use this menu item to print a sensor profile.

See [Print a Sensor Profile on page 82](#) for more information.



Calibrate the Media and Ribbon Sensors

Use this menu item to adjust the sensitivity of the media and ribbon sensors.

See [Media and Ribbon Sensor Calibration on page 85](#) for more information. For instructions on how to perform a calibration procedure, see [Calibrate the Ribbon and Media Sensors on page 97](#).



Set Parallel Communications

Select the communications port that matches the one being used by the host computer.

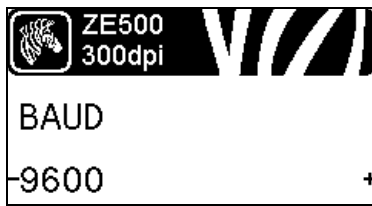
See [Parallel Communications on page 94](#) for more information.



Set Serial Communications

Select the communications port that matches the one being used by the host computer.

See [Parallel Communications on page 94](#) for more information.



Set the Baud Rate

Select the baud value that matches the one being used by the host computer.

See [Baud Rate on page 95](#) for more information.



Set the Data Bits Value

Select the data bits value that matches the one being used by the host computer.

See [Data Bits on page 95](#) for more information.



Set the Parity Value

Select the parity value that matches the one being used by the host computer.

See [Parity on page 95](#) for more information.



Set the Host Handshake Protocol Value

Select the handshake protocol that matches the one being used by the host computer.

See [Host Handshake on page 96](#) for more information.



Set the Zebra Protocol Value

Protocol is a type of error checking system. Depending on the selection, an indicator may be sent from the print engine to the host computer signifying that data has been received. Select the protocol that is requested by the host computer.

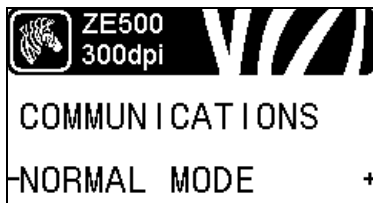
See [Protocol on page 96](#) for more information.



Set the Network ID

This parameter assigns a unique number to the print engine when the print engine is operating in an RS422/485 multi-drop network environment (an external RS422/485 adapter is required). This gives the host computer the means to address a specific print engine. This does not affect TCP/IP or IPX networks. Set a unique network ID number for this print engine.

See [Network ID on page 96](#) for more information.



Enable Communication Diagnostics Mode

Use this diagnostics tool to cause the printer to output the hexadecimal values for all data received by the printer.

See [Communication Diagnostics Mode on page 85](#) for more information.



Set the Control Character Value

Set the control prefix character to match what is used in your label formats.

See [Control Character on page 91](#) for more information.



Set the Format Command Prefix Value

Set the format command prefix character to match what is used in your label formats.

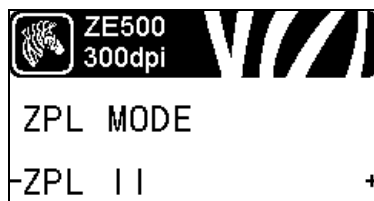
See [Command Character on page 92](#) for more information.



Set the Delimiter Character Value

Set the delimiter character to match what is used in your label formats.

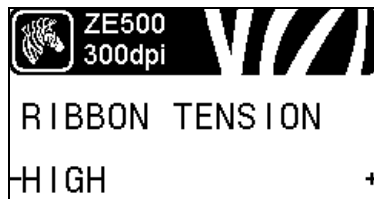
See [Delimiter Character on page 92](#) for more information.



Set the ZPL Mode

Select the ZPL mode that matches what is used in your label formats.

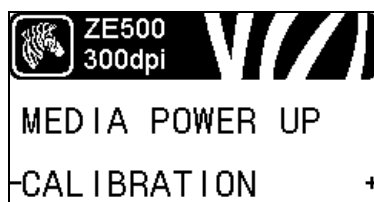
See [ZPL Mode on page 92](#) for more information.



Set the Ribbon Tension

Select the ribbon tension setting that is appropriate for the width or type of media being printed. HIGH can be used for most media. The correct setting is determined by a combination of the ribbon width and the ribbon length (Table 5). If necessary, use a lower value for narrow media or for glossy media.

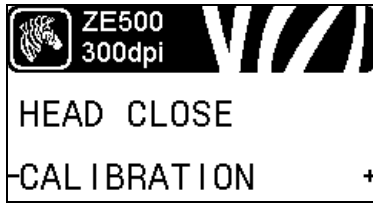
See [Ribbon Tension on page 77](#) for more information.



Set the Power-Up Action

Set the action for the printer to take during the power-up sequence.

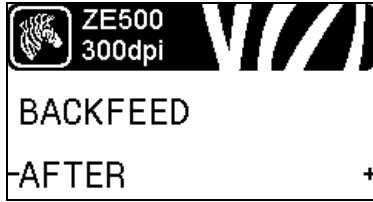
See [Power-Up Action on page 83](#) for more information.



Set the Head-Close Action

Set the action for the printer to take when you close the printhead.

See [Head-Close Action](#) on page 83 for more information.

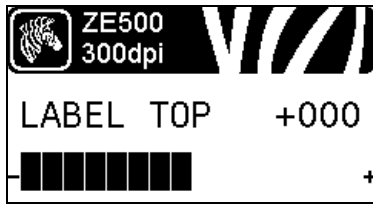


Set the Backfeed Sequence

This parameter sets when label backfeed occurs after a label is removed in some print modes. It has no effect in Rewind mode.

This setting is superseded by ~JS when received as part of a label format.

See [Backfeed Sequence](#) on page 77 for more information.



Adjust the Label Top Position

This parameter adjusts the print position vertically on the label. Positive numbers adjust the label top position farther down the label (away from the printhead) by the specified number of dots. Negative numbers adjust the position up the label (toward the printhead).

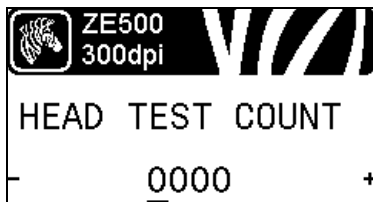
See [Label Top Position](#) on page 78 for more information.



Adjust the Label Left Position

If necessary, shift the print position horizontally on the label. Positive numbers move the left edge of the image toward the center of the label by the number of dots selected, while negative numbers move the left edge of the image toward the left edge of the label.

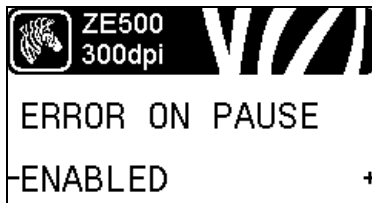
See [Label Left Position](#) on page 78 for more information.



Set the Head Test Count*

The ZE500-6 print engine periodically performs a test of the printhead functionality. This parameter establishes how many labels are printed between these internal tests.

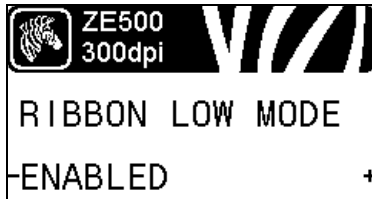
* This menu item appears only on ZE500-6 print engines.



Set Applicator Error Signal When Print Engine Pauses

When this option is enabled and the print engine is paused, the print engine sets the applicator error state.

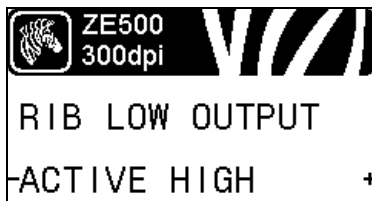
See [Error on Pause on page 78](#) for more information.



Set the Ribbon Low Mode

The Ribbon Low feature determines if the print engine will generate a warning when the amount of ribbon left on the roll gets low.

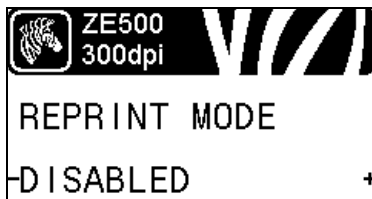
See [Ribbon Low Mode on page 79](#) for more information.



Set the Ribbon Low Output

When the Ribbon Low feature is enabled, this parameter determines if the output signal on Pin 9 is HIGH or LOW.

See [Ribbon Low Output on page 79](#) for more information.



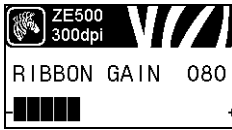
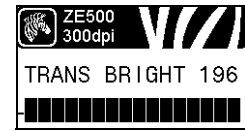
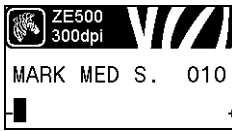
Set the Reprint Mode

When reprint mode is enabled, you can reprint the last label printed either by issuing certain commands or by pressing the **LEFT ARROW** on the control panel.

See [Reprint Mode on page 79](#) for more information.

View Sensor Settings

The following parameters are automatically set during the calibration procedure and should be changed only by a qualified service technician.



Select Format Conversion Scaling Factor

Selects the bitmap scaling factor. The first number is the original dots per inch (dpi) value; the second, the dpi to which you would like to scale.

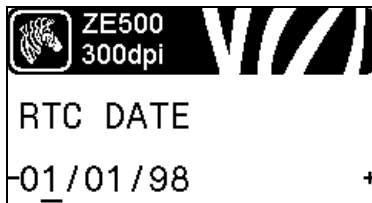
See [Format Conversion on page 85](#) for more information.



Select the Idle Display

Select the information shown on the printer's display when the printer is idle.

See [Idle Display on page 86](#) for more information.



Set the Real-Time Clock (RTC) Date

This parameter allows you to set the date to display in the Idle Display.

See [RTC Date on page 86](#) for more information.



Set the Real-Time Clock (RTC) Time

This parameter allows you to set the date to display in the Idle Display.

See [RTC Time on page 86](#) for more information.



Run the Specified ZBI Program*

- To run the ZBI program selected by the previous menu item, press **PLUS (+)**.
- If you did not replace the ribbon, press **MINUS (-)** to select **CANCEL**, or press the **LEFT ARROW** or **RIGHT ARROW** to move to another parameter.

See [Run a ZBI Program on page 86](#) for more information.

* *This menu item appears only if ZBI is enabled on your printer and no ZBI program is running.*



Select the Primary Network Device

This parameter determines which device should be considered primary in the active device selection.

See [Primary Network on page 87](#) for more information.



View if IP Settings Are Loaded from the Printer or Print Server

This parameter tells whether to use the print engine's or the print server's LAN/WLAN settings at power-up. The default is to use the print engine's settings.

See [Load from External Device on page 87](#) for more information.



View the Active Print Server*

This menu item displays which print server is being used. This tells which device's settings such as IP protocol and IP address are being displayed under those menu items.

* *This menu item, which cannot be modified from the control panel, appears only if a wired or wireless print server is installed in your printer.*

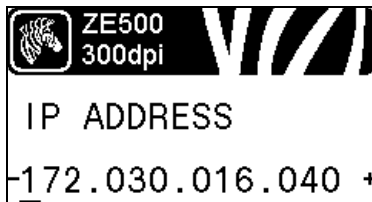


Set the IP Resolution Method*

This parameter tells if the user (permanent) or the server (dynamic) selects the IP address. If a dynamic option is chosen, this parameter tells the method(s) by which the wired or wireless print server receives the IP address from the server.

See [IP Protocol on page 88](#) for more information.

* *This menu item appears only if a wired or wireless print server is installed in your printer.*



Set the Printer's IP Address*

View and, if necessary, change the printer's IP address.

Changes are saved only if IP PROTOCOL is set to PERMANENT. To allow any saved changes to take effect, use [RESET NETWORK on page 35](#) to reset the print server.

See [IP Address on page 88](#) for more information.

* *This menu item appears only if a wired or wireless print server is installed in your printer.*



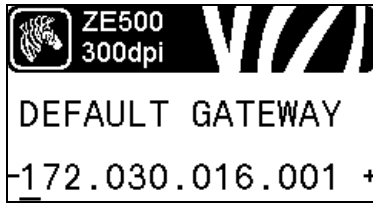
Set the Subnet Mask*

View and, if necessary, change the subnet mask.

Changes are saved only if IP PROTOCOL is set to PERMANENT. To allow any saved changes to take effect, use [RESET NETWORK on page 35](#) to reset the print server.

See [Subnet Mask on page 89](#) for more information.

* *This menu item appears only if a wired or wireless print server is installed in your printer.*



Set the Default Gateway*

View and, if necessary, change the default gateway.

Changes are saved only if IP PROTOCOL is set to PERMANENT. To allow any saved changes to take effect, use [RESET NETWORK on page 35](#) to reset the print server.

See [Default Gateway on page 89](#) for more information.

* *This menu item appears only if a wired or wireless print server is installed in your printer.*



View the MAC Address*

View the Media Access Control (MAC) address of the print server that is installed in the printer (wired or wireless).

See [MAC Address on page 89](#) for more information.

* *This menu item, which cannot be modified from the control panel, appears only if a wired or wireless print server is installed in your printer.*



View the ESSID Value*

The Extended Service Set Identification (ESSID) is an identifier for your wireless network. This setting, which cannot be modified from the control panel, gives the ESSID for the current wireless configuration.

See [ESSID on page 90](#) for more information.

* *This menu item, which cannot be modified from the control panel, appears only if a wireless print server is installed in your printer.*

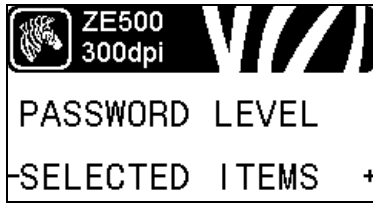


Reset the Network Settings*

This option resets the wired or wireless print server. You must reset the print server to allow any changes to the network settings to take effect.

See [Reset Network on page 90](#) for more information.

* *This menu item appears only if a wired or wireless print server is installed in your printer.*



Specify the Password Level

This option resets the wired or wireless print server. You must reset the print server to allow any changes to the network settings to take effect.

See [Password Level](#) on page 86 for more information.

* This menu item appears only if a wired or wireless print server is installed in your printer.



Select the Display Language

If necessary, change the language that the printer displays.

See [Language](#) on page 91 for more information.



Note • The selections for this parameter are displayed in the actual languages to make it easier for you to find one that you are able to read.



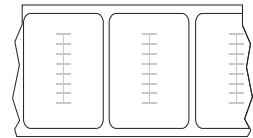
Types of Media



Important • Zebra strongly recommends the use of Zebra-brand supplies for continuous high-quality printing. A wide range of paper, polypropylene, polyester, and vinyl stock has been specifically engineered to enhance the printing capabilities of the print engine and to prevent premature printhead wear. To purchase supplies, go to <http://www.zebra.com/howtobuy>.

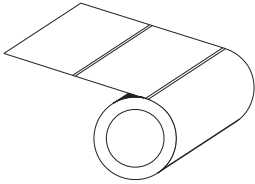
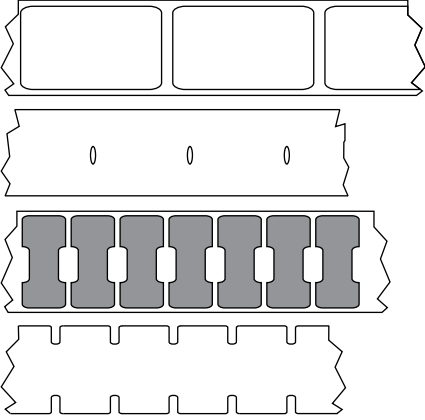
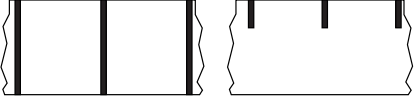
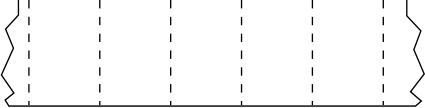
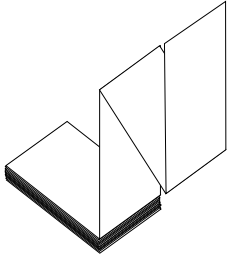
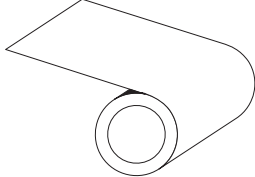
Your print engine can use various types of media:

- *Standard media*—Most standard media uses an adhesive backing that sticks individual labels or a continuous length of labels to a liner. Standard media can come on rolls or in a fanfold stack (Table 2).
- *Tag stock*—Tags are usually made from a heavy paper. Tag stock does not have adhesive or a liner, and it is typically perforated between tags. Tag stock can come on rolls or in a fanfold stack (Table 2).
- *Radio frequency identification (RFID) “smart” media*—RFID media can be used in a printer that is equipped with an RFID reader/encoder. RFID labels are made from the same materials and adhesives as non-RFID labels. Each label has an RFID transponder (sometimes called an “inlay”), made of a chip and an antenna, embedded between the label and the liner. The shape of the transponder varies by manufacturer and is visible through the label. All “smart” labels have memory that can be read, and many have memory that can be encoded.



Important • Transponder placement within a label depends on the transponder type and the printer model. Make sure that you are using the correct “smart” media for your printer. For more information, refer to the *RFID Programming Guide 2*. A copy of the manual is available at <http://www.zebra.com/manuals> or on the user CD that came with your print engine. For transponder placement details, go to <http://www.zebra.com/transponders>.

Table 2 • Roll and Fanfold Media

Media Type	How It Looks	Description
<p>Non-Continuous Roll Media</p>		<p>Roll media is wound on a 3-in. (76-mm) core. Individual labels or tags are separated by one or more of the following methods:</p> <ul style="list-style-type: none"> <p><i>Web media</i> separates labels by gaps, holes, or notches.</p>  <p><i>Black mark media</i> uses pre-printed black marks on the back side of the media to indicate label separations.</p>  <p><i>Perforated media</i> has perforations that allow the labels or tags to be separated from each other easily. The media may also have black marks or other separations between labels or tags.</p> 
<p>Non-Continuous Fanfold Media</p>		<p>Fanfold media is folded in a zigzag pattern. Fanfold media can have the same label separations as non-continuous roll media. The separations would fall on or near the folds.</p>
<p>Continuous Roll Media</p>		<p>Roll media is wound on a 3-in. (76-mm) core. Continuous roll media does not have gaps, holes, notches, or black marks to indicate label separations. This allows the image to be printed anywhere on the label. Sometimes a cutter is used to cut apart individual labels.</p>

Ribbon Overview

Ribbon is a thin film that is coated on one side with wax, resin, or wax resin, which is transferred to the media during the thermal transfer process. The media determines whether you need to use ribbon and how wide the ribbon must be.

When ribbon is used, it must be as wide as or wider than the media being used. If the ribbon is narrower than the media, areas of the printhead are unprotected and subject to premature wear.

When to Use Ribbon

Thermal Transfer media requires ribbon for printing while Direct Thermal media does not. To determine if ribbon must be used with a particular media, perform a media scratch test.

To perform a media scratch test, complete these steps:

1. Scratch the print surface of the media rapidly with your fingernail.
2. Did a black mark appear on the media?

If a black mark...	Then the media is...
Does not appear on the media	Thermal transfer. A ribbon is required.
Appears on the media	Direct thermal. No ribbon is required.

Coated Side of Ribbon

Ribbon can be wound with the coated side on the inside or outside (Figure 6). This print engine can only use ribbon that is coated on the outside. If you are unsure which side of a particular roll of ribbon is coated, perform an adhesive test or a ribbon scratch test to determine which side is coated.

Figure 6 • Ribbon Coated on Outside or Inside





Adhesive Test

If you have labels available, perform the adhesive test to determine which side of a ribbon is coated. This method works well for ribbon that is already installed.

To perform an adhesive test, complete these steps:

1. Peel a label from its liner.
2. Press a corner of the sticky side of the label to the outer surface of the roll of ribbon.
3. Peel the label off of the ribbon.
4. Observe the results. Did flakes or particles of ink from the ribbon adhere to the label?



If ink from the ribbon...	Then...
Adhered to the label	The ribbon is coated on the outside and can be used in this printer. 
Did not adhere to the label	The ribbon is coated on the inside and cannot be used in this print engine. To verify this, repeat the test on the other surface of the roll of ribbon. 

Ribbon Scratch Test

Perform the ribbon scratch test when labels are unavailable.

To perform a ribbon scratch test, complete these steps:

1. Unroll a short length of ribbon.
2. Place the unrolled section of ribbon on a piece of paper with the outer surface of the ribbon in contact with the paper.
3. Scratch the inner surface of the unrolled ribbon with your fingernail.
4. Lift the ribbon from the paper.
5. Observe the results. Did the ribbon leave a mark on the paper?

If the ribbon...	Then...
Left a mark on the paper	The ribbon is coated on the outside and can be used in this printer. 
Did not leave a mark on the paper	The ribbon is coated on the inside and cannot be used in this print engine. To verify this, repeat the test on the other surface of the roll of ribbon. 

Printer Setup and Operation

This section assists the technician with initial setup and operation of the print engine.

Contents

Handling the Print Engine	42
Unpack and Inspect the Print Engine	42
Remove Additional Shipping Materials	42
To Store the Print Engine	45
To Ship the Print Engine	45
Print Engine Installation	46
Requirements	46
Dimensions and Clearance Needs	47
Install the Print Engine in an Applicator	52
Select a Data Communication Interface	53
Data Cables	56
Connect the Print Engine to a Power Source	57
Power Cord Specifications	58
Load Ribbon and Media	60

Handling the Print Engine

This section describes how to handle your print engine.

Unpack and Inspect the Print Engine



Important • Zebra Technologies is not responsible for any damage incurred during the shipment of the equipment and will not repair this damage under warranty.

When you receive the print engine, do the following:

1. Immediately unpack the print engine.
2. Check all exterior surfaces for damage.
3. Raise the media door, and inspect the media compartment for damage to components.
4. If you discover shipping damage during inspection, do the following:
 - Immediately notify the shipping company, and file a damage report.
 - Keep all packaging material for shipping company inspection.
 - Notify your authorized Zebra reseller.

Remove Additional Shipping Materials

1. If your print engine includes the optional applicator port, complete this step. If it does not, continue with [step 2](#).

Caution • The print engine ships with the following caution label over the optional applicator port:

Caution:
Configured for non - isolated 5V internal power.
Reconfigure before applying external voltage.

Applying external power when the print engine is configured for internal power will damage your print engine.

For +5V non-isolated mode (internal power):

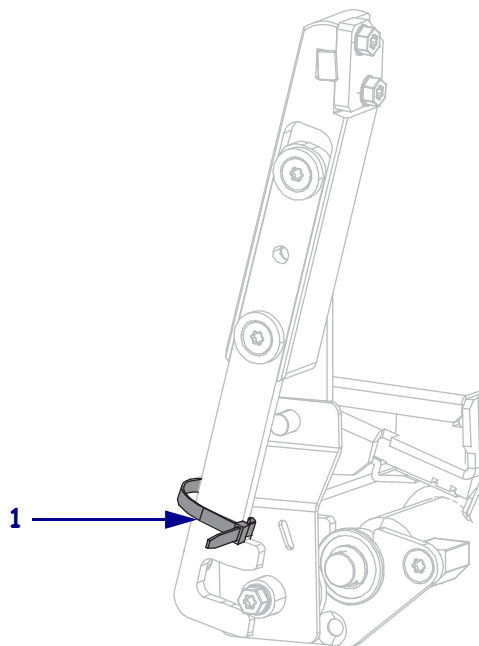
- a. No configuration is necessary. Remove the caution sticker from the applicator port.
- b. Continue with [step 2](#).

For +5V to +28V isolated mode (external power):

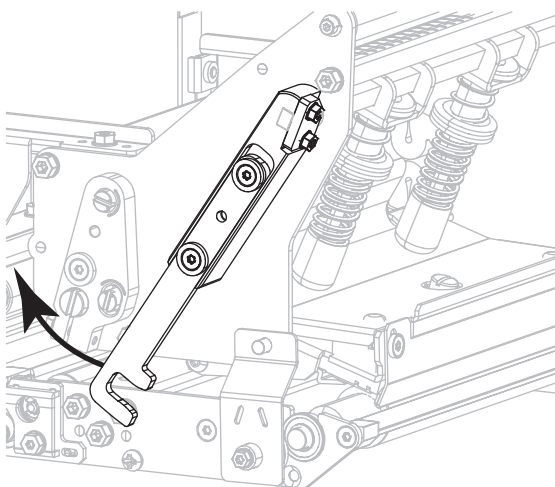
- a. The jumpers on the applicator interface board must be reconfigured. See [Applicator Interface Board Reconfiguration on page 145](#) for instructions.
- b. Remove the caution sticker from the applicator port.
- c. Continue with [step 2](#).

2. Remove the metal spacer that ships next to the printhead-release latch. (Right-hand unit shown.)

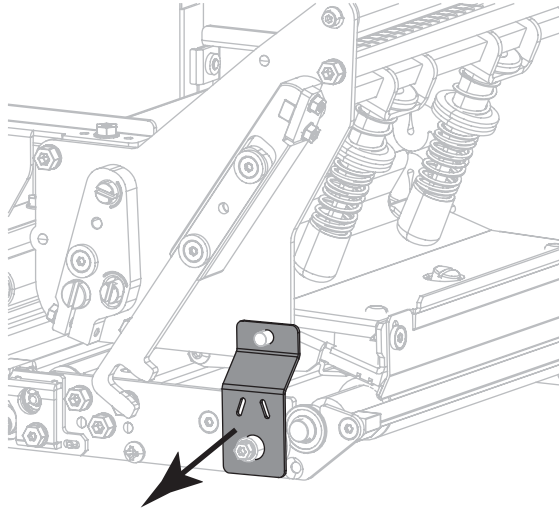
a. Cut the cable tie (1) that secured the printhead-release latch during shipping.



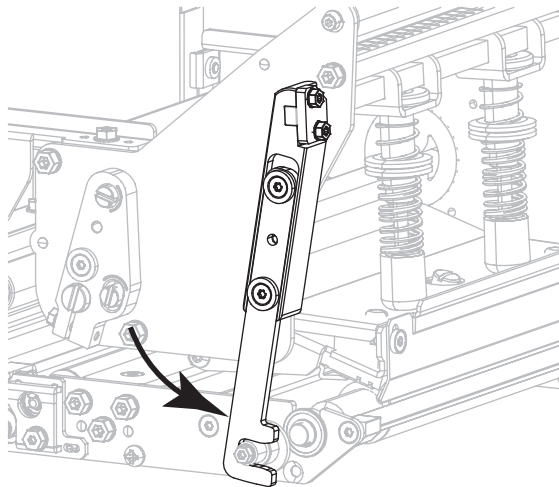
b. Rotate the printhead-release latch to expose the metal spacer.



- c. Remove the metal spacer.



- d. Rotate the printhead-release latch to the closed position.



- 3. Cut and remove other cable ties that were used in the media compartment (if any).

To Store the Print Engine

If you are not placing the print engine into immediate operation, repackage it using the original packing materials. You may store the print engine under the following conditions:

- Temperature: –40°F to 140°F (–40° to 60°C)
- Relative humidity: 5% to 85% non-condensing

To Ship the Print Engine

Save all packing materials in case you need to ship the print engine in the future.

To ship the print engine, do the following:

1. Turn off (O) the print engine, and disconnect all cables.
2. Remove any media, ribbon, or loose objects from the print engine interior.
3. Close the printhead.
4. Carefully pack the print engine into the original container or a suitable alternate container to avoid damage during transit. A shipping container can be purchased from Zebra if the original packaging has been lost or destroyed.

Print Engine Installation

This section provides basic information for mounting the print engine into an applicator. The illustrations in this section show the print engine from different angles and include dimensions and clearance needs.

Requirements

Stability When the print engine is mounted, the complete assembly must be physically stable. When the print engine is loaded with ribbon and media, the equipment must not become physically unstable.

Ventilation and Temperature Provide ventilation for the print engine mounting enclosure to remove heat and ensure uninterrupted, trouble-free operation of the print engine. Ambient air temperature surrounding the print engine must not exceed the following:

- Temperature: 32° to 105°F (0° to 41°C)
- Relative humidity: 20% to 95% non-condensing

Power Requirements Consider the current rating of the print engine during installation. When power is applied to the print engine and the enclosing equipment, an overload condition must not be created.

Grounding Requirements Maintain reliable grounding of the print engine. Pay particular attention to the AC power supply connections so that earth ground is maintained through the AC power input connector.

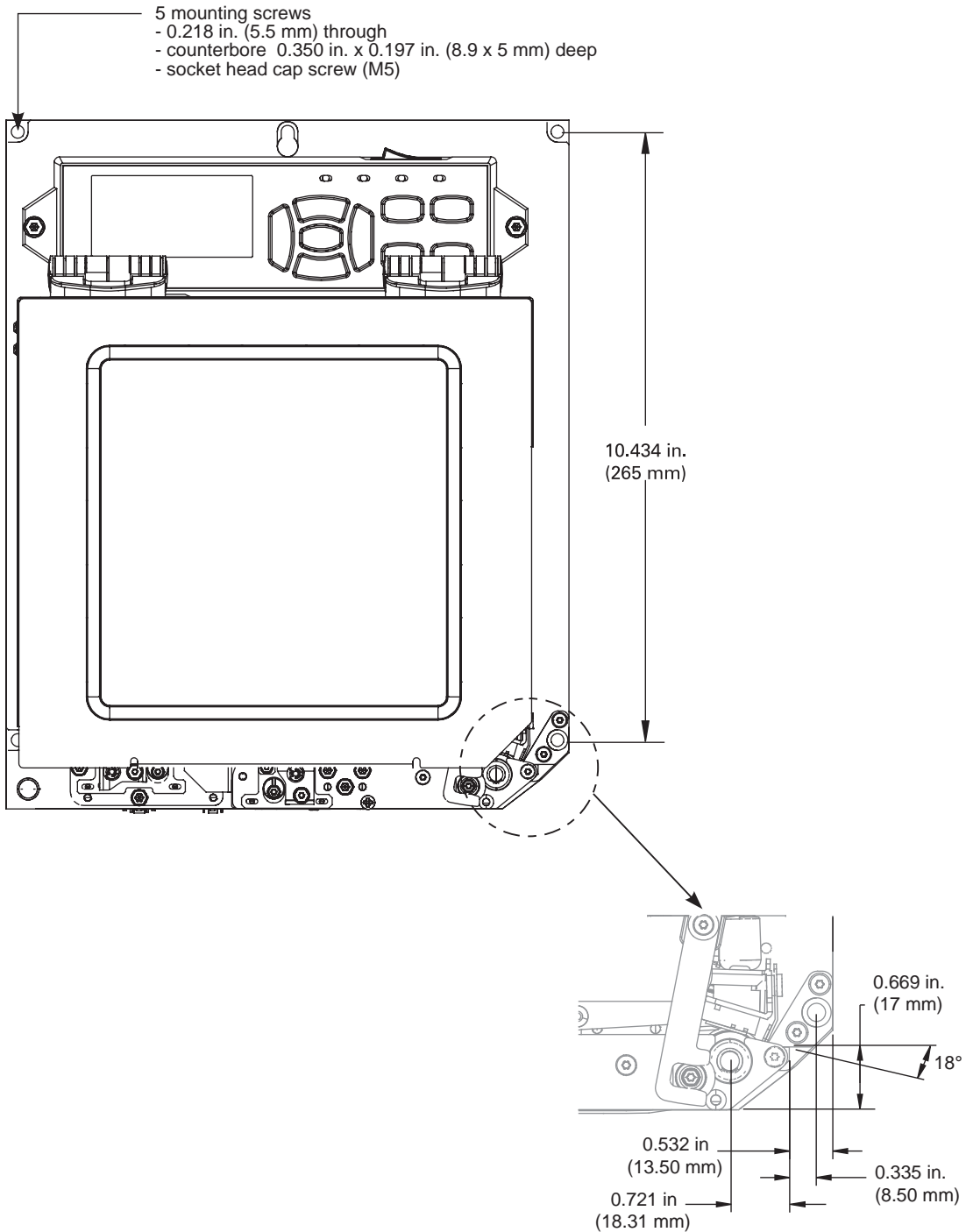
Clearance for Cables and Connectors Allow ample space at the rear of the print engine for electronic connectors and dressing of the following cables: IEC power cord, serial and/or parallel host communication cable, optional host communication cable (Ethernet), and the discrete signal (applicator) interface cable.

Power Cord Requirements The IEC power cord does not have a strain relief on the print engine. If the operating characteristics of the applicator include vibration or strain on the power cord, provide an appropriate clamping mechanism to avoid unintentional disconnection of the power cord from the print engine.

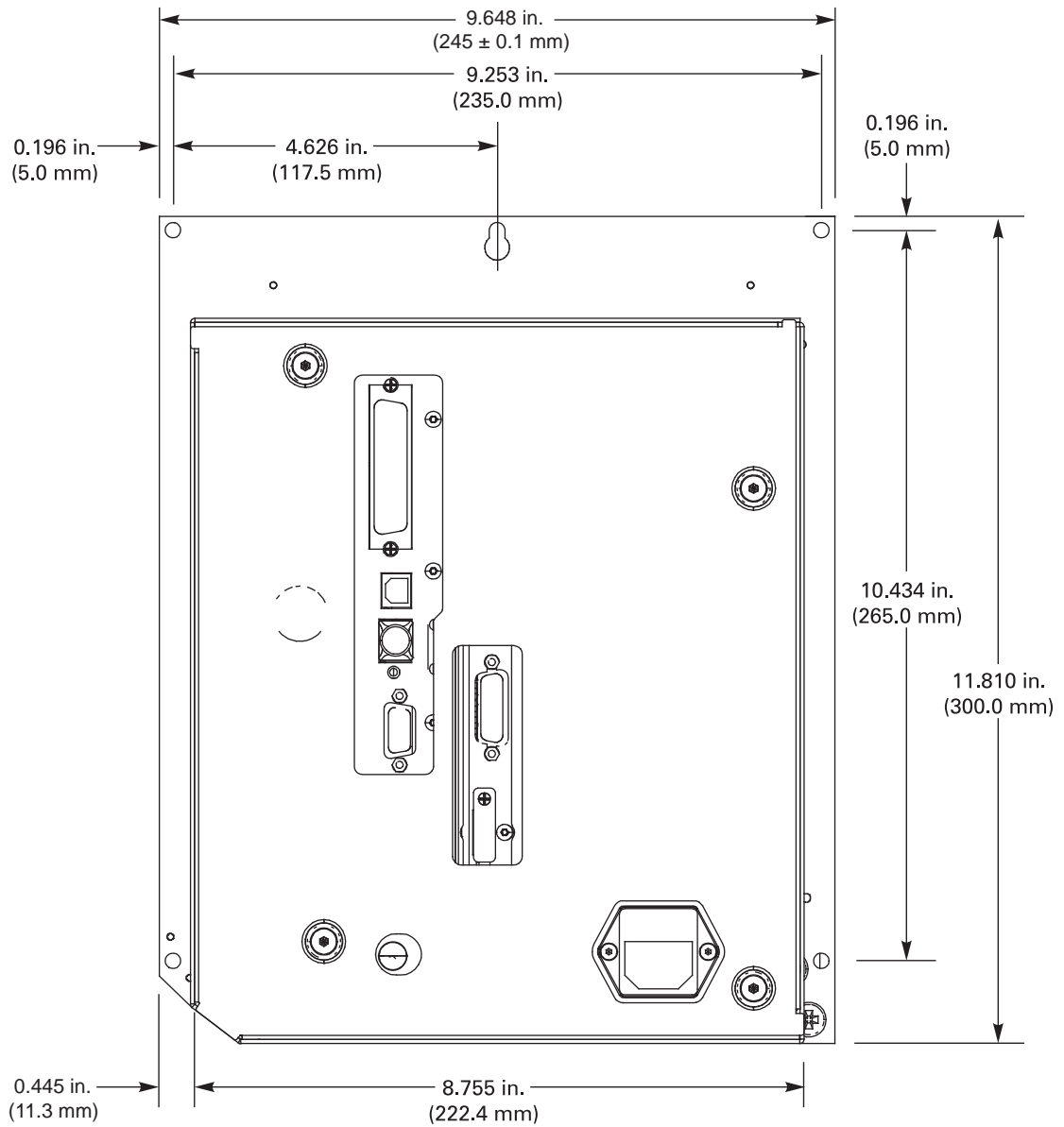
Dimensions and Clearance Needs

This section shows measurements relevant when installing the ZE500 print engine in an applicator.

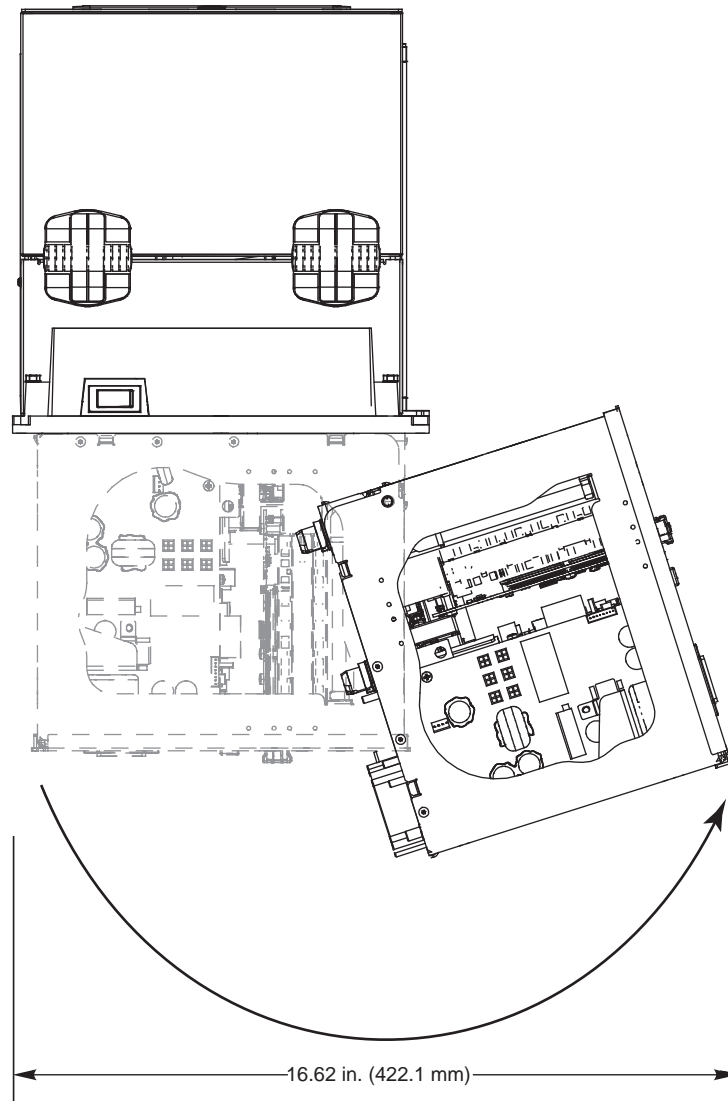
Front View (Right-Hand Print Engine Shown)



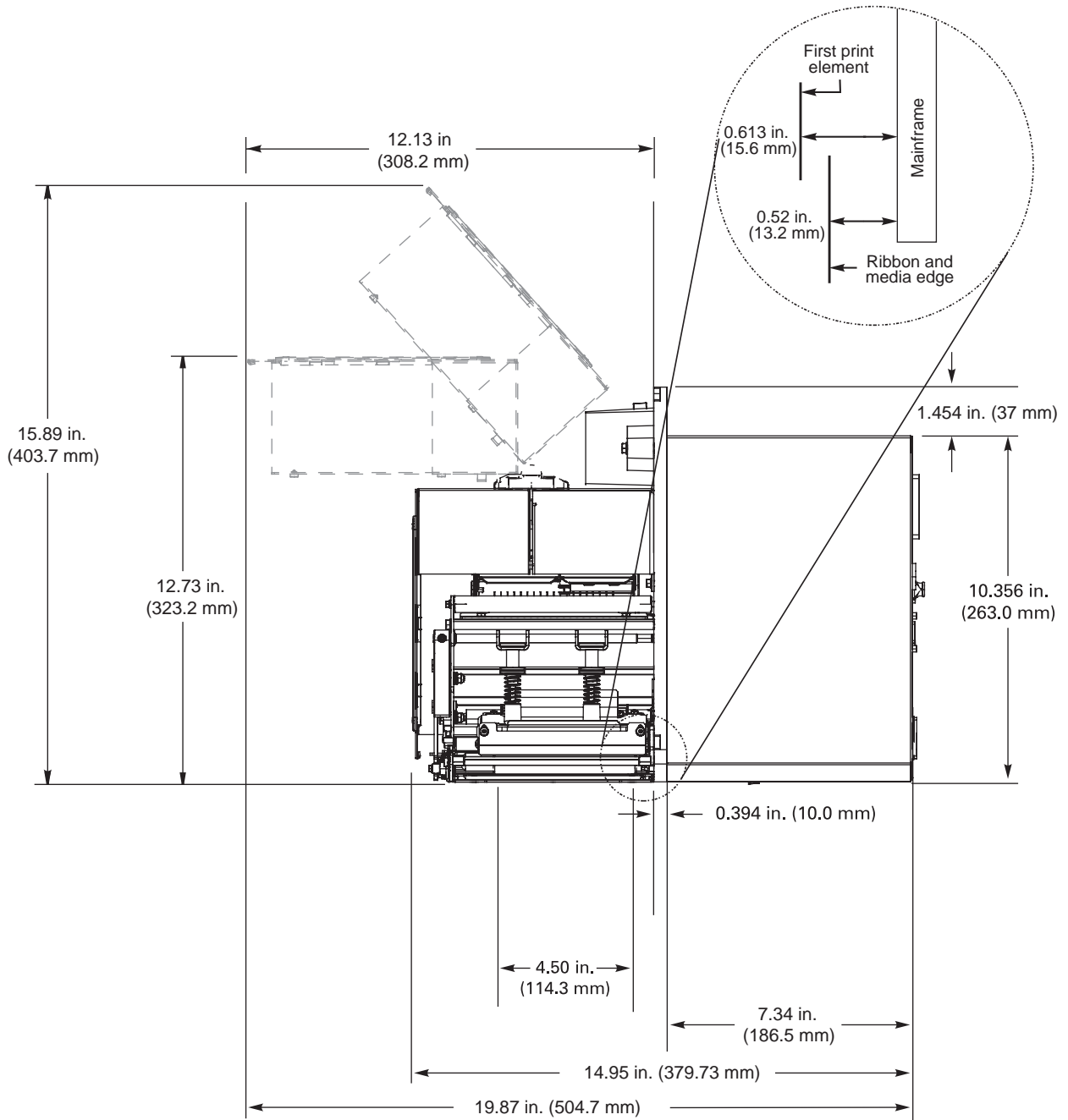
Rear View



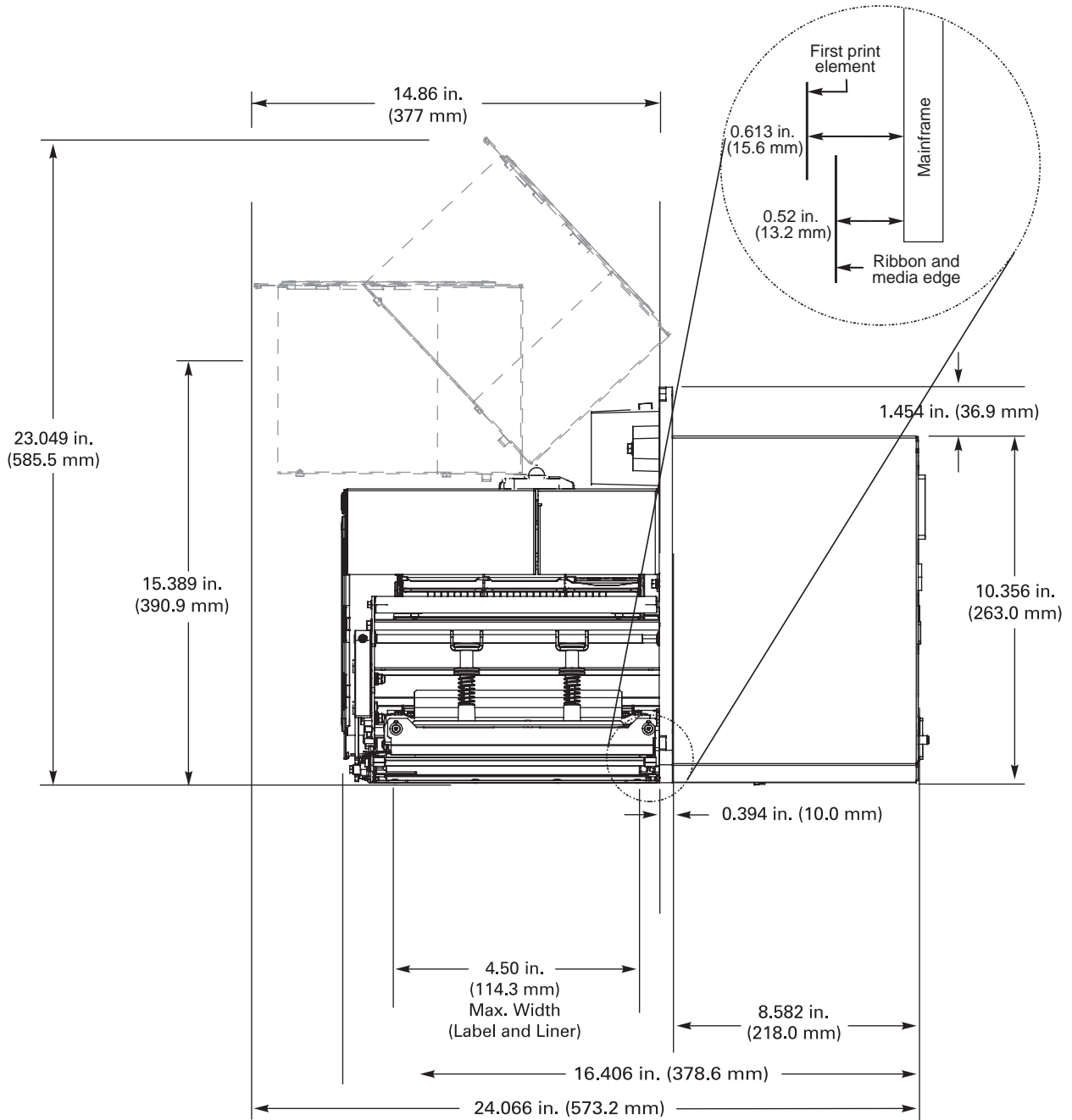
Top View



Side View—ZE500-4 Print Engine



Side View—ZE500-6 Print Engine



Install the Print Engine in an Applicator

This section provides the basic instructions for installing the print engine into an applicator.



Caution • If the print engine is installed improperly, it could fall out of the applicator and cause injury. The center mounting bolt and four mounting screws must be installed and secured. See [Figure 7](#) for the location of the bolt and screws.

To install the print engine into an applicator, complete these steps:

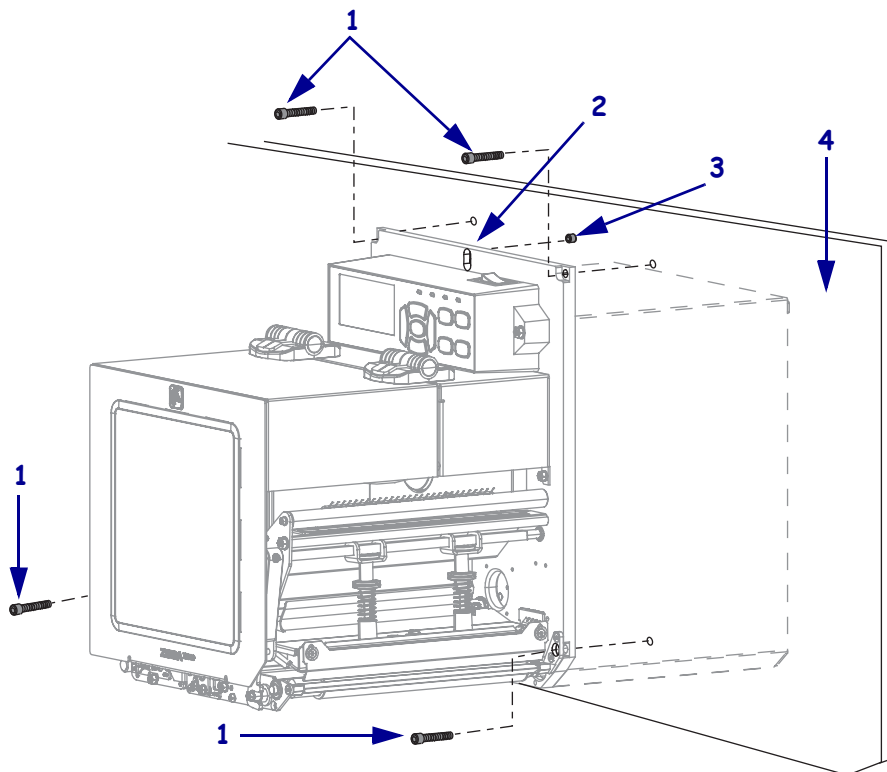
1. See [Figure 7](#). Install the center mounting bolt into the center hole on the applicator.
2. Carefully place the keyhole on the center mounting bolt.



Note • The keyhole and the center mounting bolt are designed to support the print engine and assist in installing and removing the four mounting screws.

3. Install the four corner mounting screws to secure the print engine to the applicator.

Figure 7 • Front View of Print Engine in Applicator

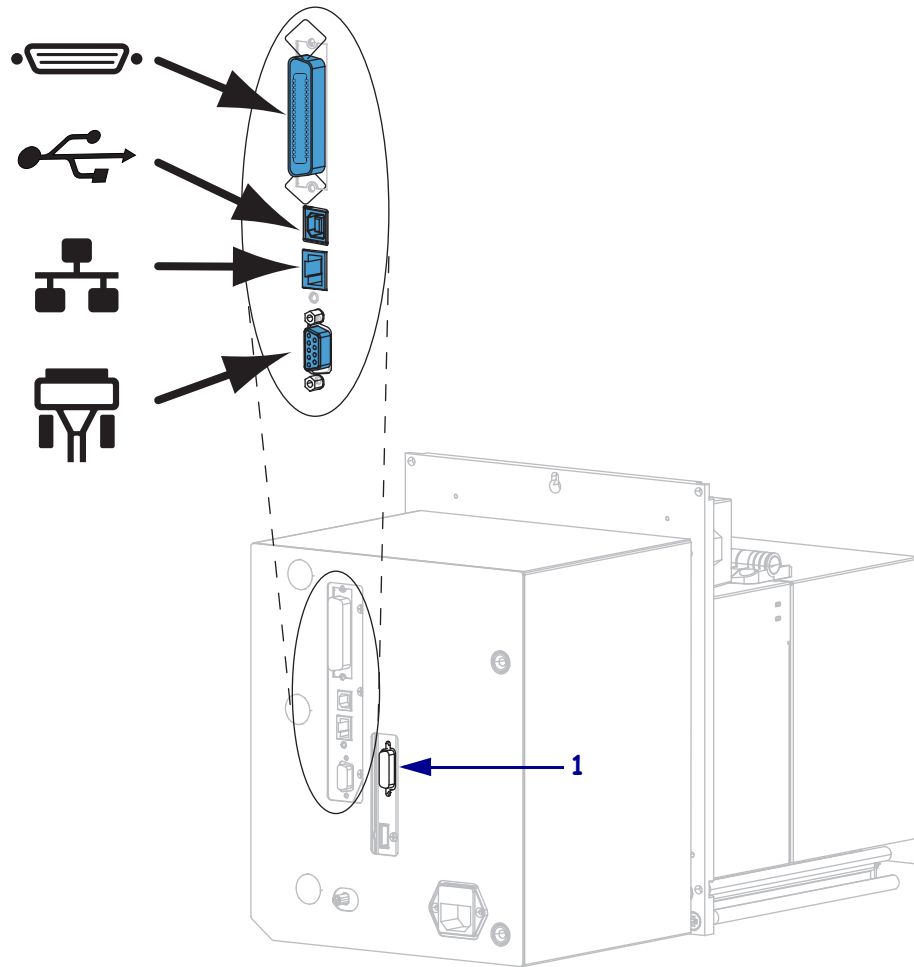






1	Mounting screws (four total)
2	Keyhole
3	Center mounting bolt (shown inside hole on applicator)
4	Applicator

Select a Data Communication Interface

You may connect your print engine to a computer using one or more of the available connections. The standard connections are shown in [Figure 8](#). A ZebraNet wired or wireless print server option or a parallel port may also be present on your print engine.

Figure 8 • Communication Interfaces



	parallel port
	USB port
	wired Ethernet port
	serial port
1	applicator port

[Table 3 on page 54](#) provides basic information about data communication interfaces that you can use to connect your print engine to a computer. You may send label formats to the print engine through any data communication interface that is available. Select an interface that is supported by both your print engine and your computer or your Local Area Network (LAN).

Caution • Ensure that the print engine power is off (O) before connecting data communications cables. Connecting a data communications cable while the power is on (I) may damage the print engine.

Table 3 • Data Communication Interfaces

Interface	Standard or Option	Description
RS-232 Serial	Standard	<p>Limitations and Requirements</p> <ul style="list-style-type: none"> • Maximum cable length of 50 ft (15.24 m). • You may need to change print engine parameters to match the host computer. • You need to use a null-modem adaptor to connect to the print engine if using a standard modem cable. <p>Connections and Configuration The baud rate, number of data and stop bits, the parity, and the XON/XOFF or DTR control must match those of the host computer.</p>
USB	Standard	<p>Limitations and Requirements</p> <ul style="list-style-type: none"> • Maximum cable length of 16.4 ft (5 m). • No print engine parameter changes required to match the host computer. <p>Connections and Configuration No additional configuration is necessary.</p>
8-bit Parallel data interface	Standard	<p>Limitations and Requirements</p> <ul style="list-style-type: none"> • Maximum cable length of 10 ft (3 m). • Recommended cable length of 6 ft (1.83 m). • No print engine parameter changes required to match the host computer. • A wired or wireless print server (if installed) takes up this port on the print engine. <p>Connections and Configuration No additional configuration is necessary.</p>

Table 3 • Data Communication Interfaces (Continued)


Interface	Standard or Option	Description
Applicator	Option	<p>Limitations and Requirements The applicator interface is used to control the print engine from an external device (usually a label applicator).</p> <p>Connections and Configuration The print engine ships with the following caution label over the optional applicator port:</p> <div data-bbox="857 537 1239 667" style="border: 1px solid black; padding: 5px; margin: 10px 0;"> <p>Caution: Configured for non - isolated 5V internal power. Reconfigure before applying external voltage.</p> </div> <ul style="list-style-type: none"> • For +5V non-isolated mode (internal power), no configuration is necessary. • For +5V to +28V isolated mode (external power), the jumpers on the applicator interface board must be reconfigured. See Applicator Interface Board Reconfiguration on page 145. <p>Caution • Do not apply external power until after the applicator interface board is reconfigured for isolated mode. Applying external power when the print engine is configured for internal power will damage your print engine.</p>
Wired Ethernet print server	Option	<p>Limitations and Requirements</p> <ul style="list-style-type: none"> • Can print to the print engine from any computer on your LAN. • Can communicate with the printer through the print engine's web pages. • The printer must be configured to use your LAN. • A parallel connection or a wireless print server (if installed) takes up this port on the print engine. <p>Caution • Be careful not to plug a USB cable into a wired Ethernet print server connector on the print engine because doing so will damage the Ethernet connector.</p> <p>Connections and Configuration Refer to the <i>ZebraNet Wired and Wireless Print Servers User Guide</i> for configuration instructions. A copy of this manual is available at http://www.zebra.com/manuals or on the user CD that came with your print engine.</p> <p> Note • To use this connection, you may need to remove a factory-installed plug that is designed to keep someone from accidentally plugging a USB connector into this port.</p>

Table 3 • Data Communication Interfaces (Continued)

Interface	Standard or Option	Description
Wireless print server	Option	<p>Limitations and Requirements</p> <ul style="list-style-type: none"> • Can print to the print engine from any computer on your Wireless Local Area Network (WLAN). • Can communicate with the printer through the print engine’s web pages. • The print engine must be configured to use your WLAN. • A parallel connection or a wired print server (if installed) takes up this port on the print engine. <hr/> <p>Configuration Refer to the <i>ZebraNet Wired and Wireless Print Servers User Guide</i> for configuration instructions. A copy of this manual is available at http://www.zebra.com/manuals or on the user CD that came with your print engine.</p>

Data Cables

You must supply all data cables for your application.

Ethernet cables do not require shielding, but all other data cables must be fully shielded and fitted with metal or metallized connector shells. Unshielded data cables may increase radiated emissions above the regulated limits.

To minimize electrical noise pickup in the cable:

- Keep data cables as short as possible.
- Do not bundle the data cables tightly with the power cords.
- Do not tie the data cables to power wire conduits.

Connect the Print Engine to a Power Source

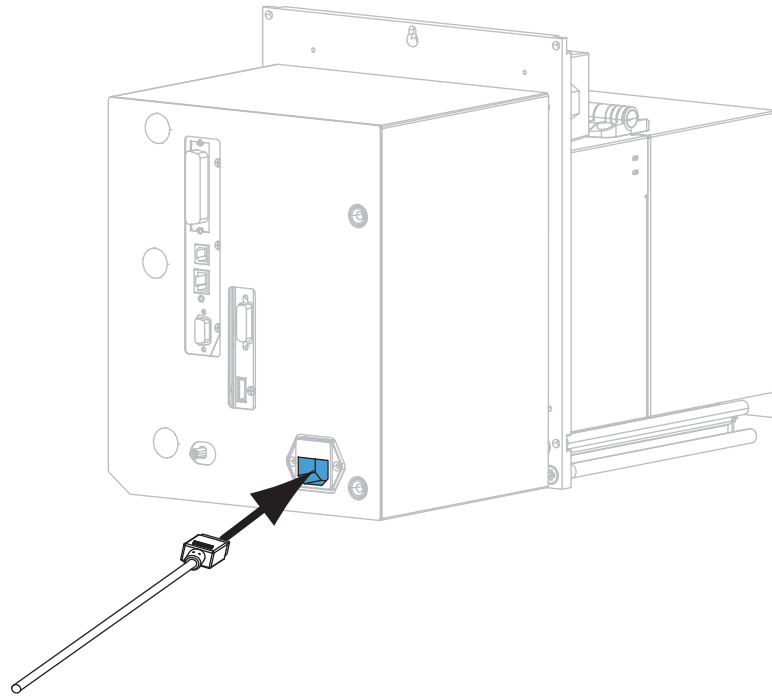
The AC power cord must have a three-prong female connector on one end that plugs into the mating AC power connector at the rear of the print engine. If a power cable was not included with your print engine, refer to [Power Cord Specifications](#) on page 58.



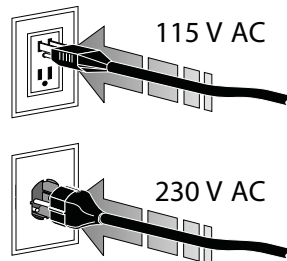
Caution • For personnel and equipment safety, always use an approved three-conductor power cord specific to the region or country intended for installation. This cord must use an IEC 320 female connector and the appropriate region-specific three-conductor grounded plug configuration.

To connect the print engine to a power source, complete these steps:

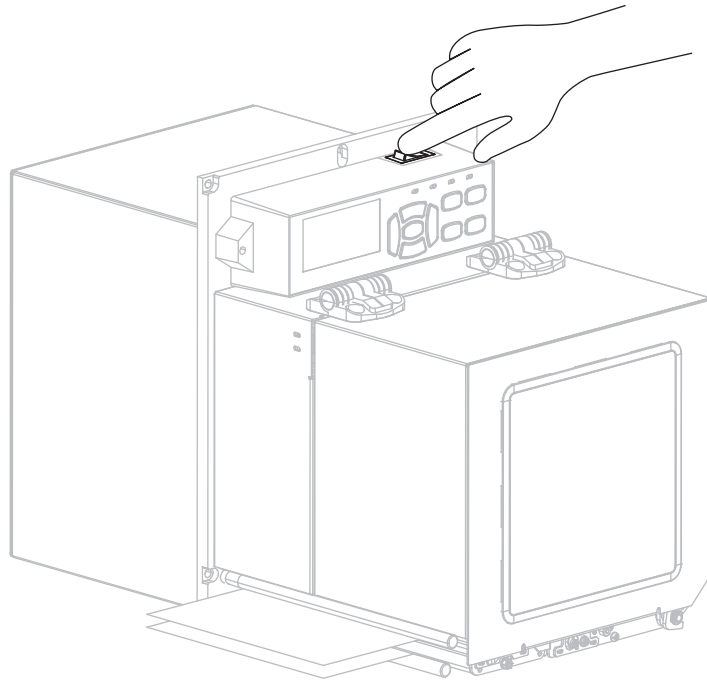
1. Plug the female end of the A/C power cord into the A/C power connector on the back of the print engine.



2. Plug the male end of the A/C power cord into an appropriate power outlet.



3. Turn on **(I)** the print engine.



The print engine boots up and performs a self-test.

Power Cord Specifications

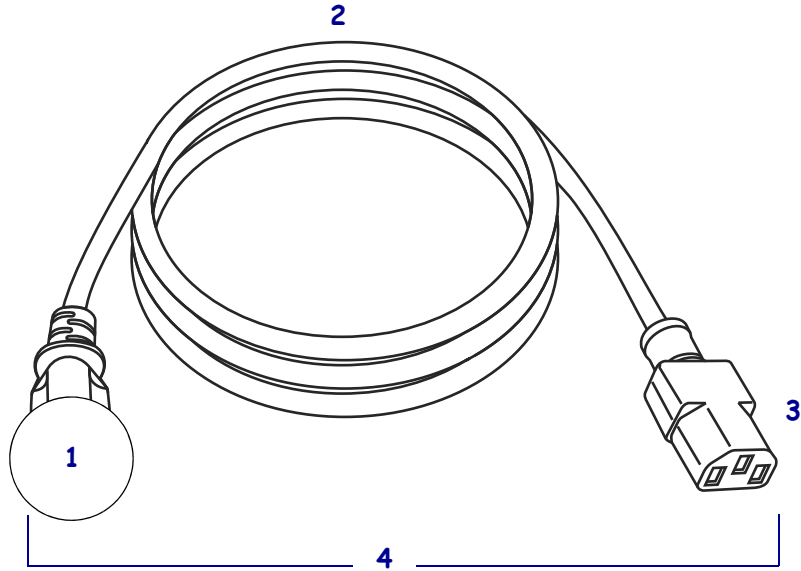


Caution • For personnel and equipment safety, always use an approved three-conductor power cord specific to the region or country intended for installation. This cord must use an IEC 320 female connector and the appropriate region-specific, three-conductor grounded plug configuration.

Depending on how your print engine was ordered, a power cord may or may not be included. If one is not included or if the one included is not suitable for your requirements, see [Figure 9](#) and refer to the following guidelines:

- The overall cord length must be less than 9.8 ft. (3 m).
- The cord must be rated for a minimum of 10 A, 250 V.
- The chassis ground (earth) **must** be connected to ensure safety and reduce electromagnetic interference.

Figure 9 • Power Cord Specifications



1	AC power plug for your country—This should bear the certification mark of at least one of the known international safety organizations (Figure 10).
2	3-conductor HAR cable or other cable approved for your country.
3	IEC 320 connector—This should bear the certification mark of at least one of the known international safety organizations (Figure 10).
4	Length ≤ 9.8 ft. (3 m). Rating 10 Amp minimum, 250 VAC.

Figure 10 • International Safety Organization Certification Symbols



Load Ribbon and Media

Use the instructions in this section to load ribbon (if used) and media in a ZE500™ print engine. Ribbon is used with thermal transfer labels. For direct thermal labels, do not load ribbon in the print engine. To determine if ribbon must be used with a particular media, see [When to Use Ribbon on page 39](#).

Caution • While performing any tasks near an open printhead, remove all rings, watches, hanging necklaces, identification badges, or other metallic objects that could touch the printhead. You are not required to turn off the printer power when working near an open printhead, but Zebra recommends it as a precaution. If you turn off the power, you will lose all temporary settings, such as label formats, and you must reload them before you resume printing.



Important • Use ribbon that is wider than the media to protect the printhead from wear. Ribbon must be coated on the outside. See [Coated Side of Ribbon on page 39](#) for more information.

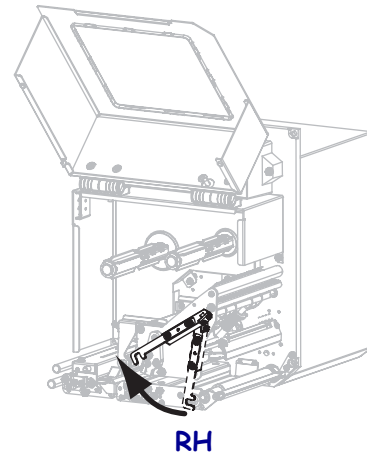
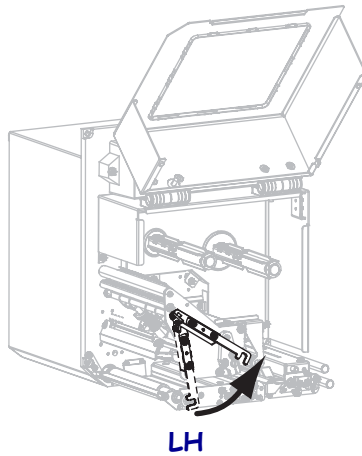
To load ribbon and media, complete these steps:

Loading Ribbon

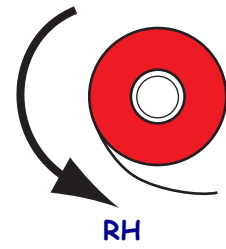
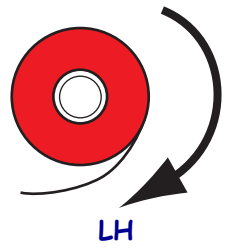


1. **Caution** • The printhead may be hot and could cause severe burns. Allow the printhead to cool.

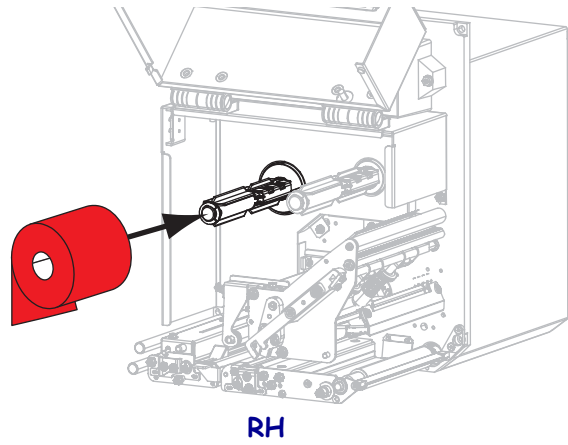
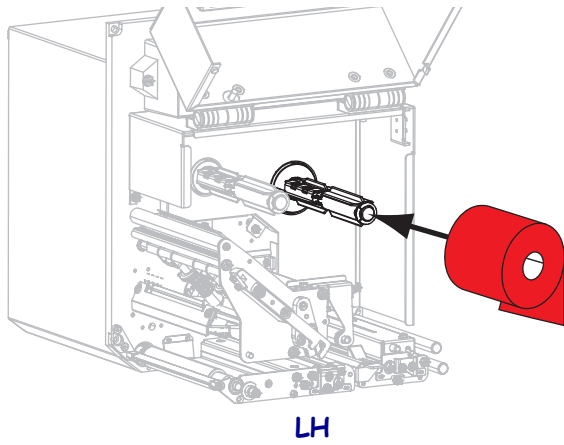
Rotate the printhead-release latch to the open position.



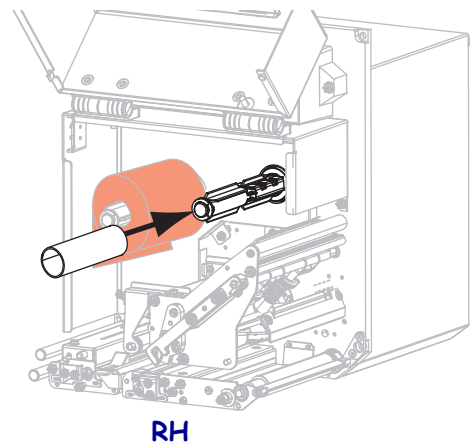
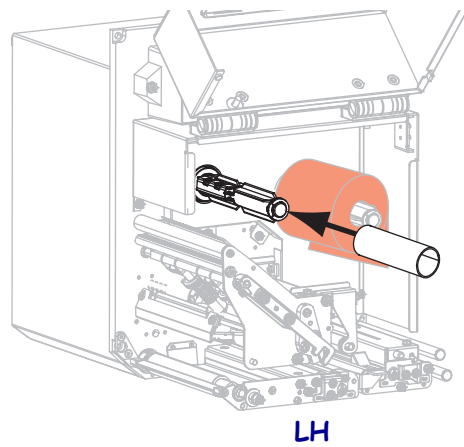
2. Position the ribbon roll with the loose end unrolling in the direction shown.



3. Place the roll of ribbon on the ribbon supply spindle. Push the roll back as far as it will go.



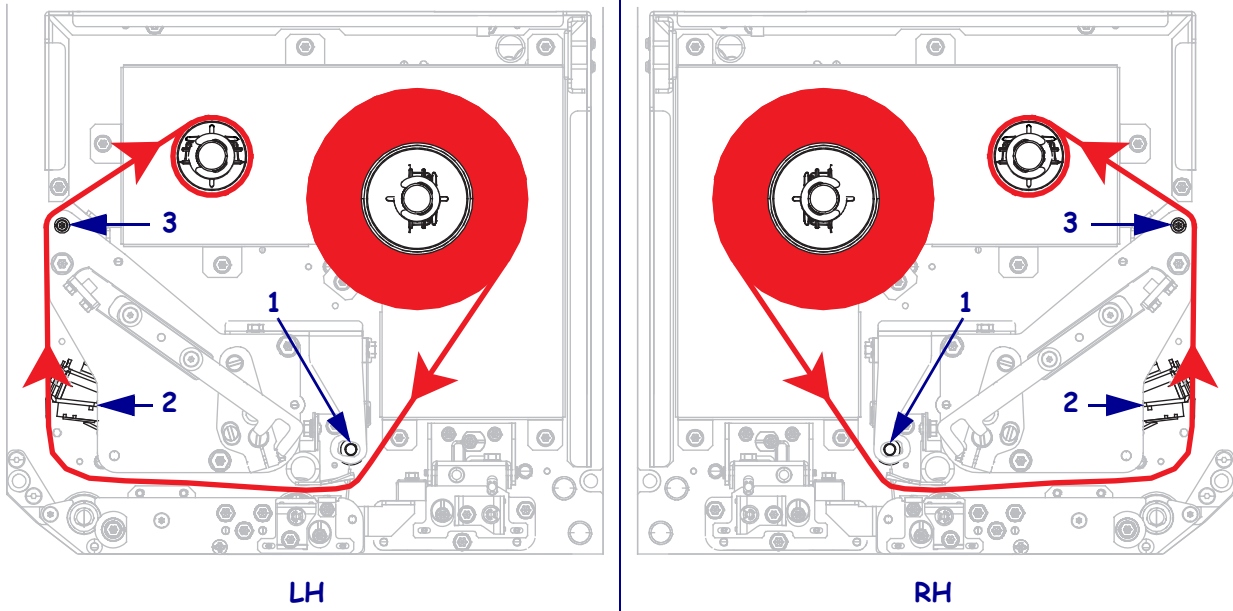
4. Place an empty ribbon core on the ribbon take-up spindle. Push the core back as far as it will go.



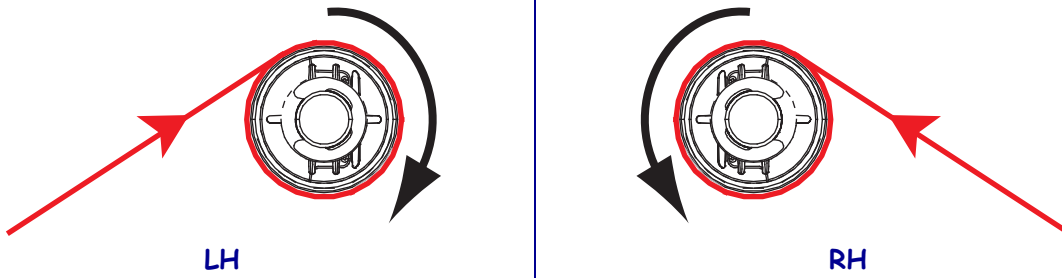


5. **Caution** • The printhead may be hot and could cause severe burns. Allow the printhead to cool.

Thread the ribbon under the lower ribbon guide roller (1), under the printhead assembly (2), and then over the upper ribbon guide roller (3).



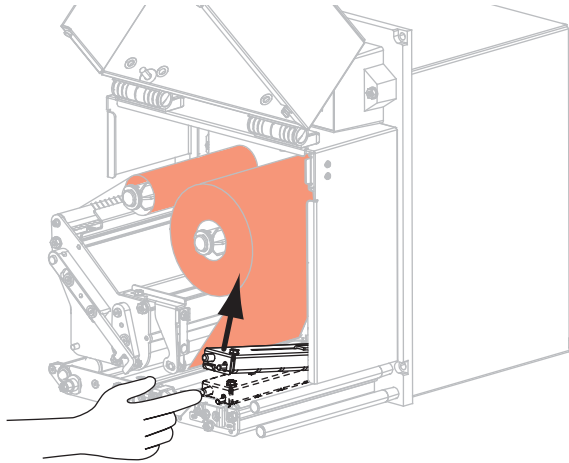
6. Wind the ribbon around the core on the ribbon take-up spindle.



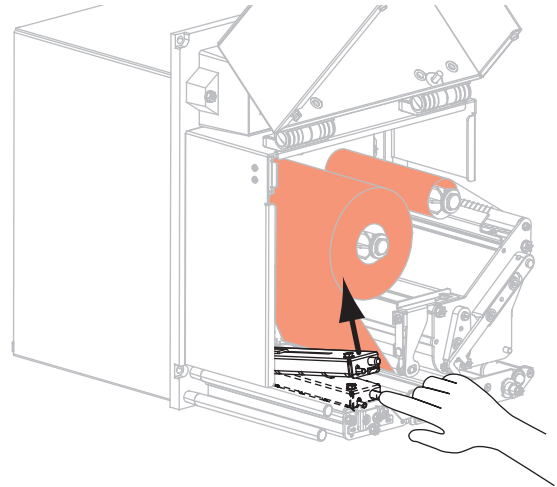
Loading Media

7. Load media on the media supply reel of the applicator (refer to the applicator's documentation for more information).

8. Press the release button on the pinch roller assembly. Allow the assembly to pivot upward.

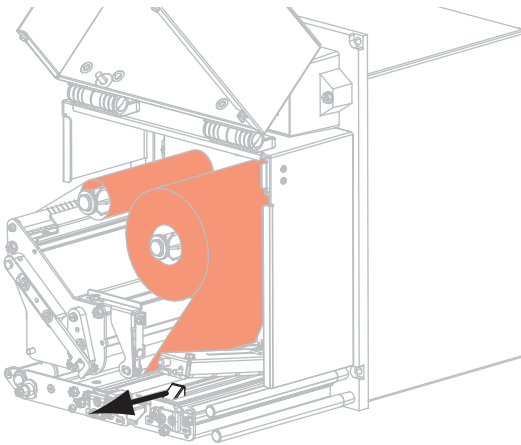


LH

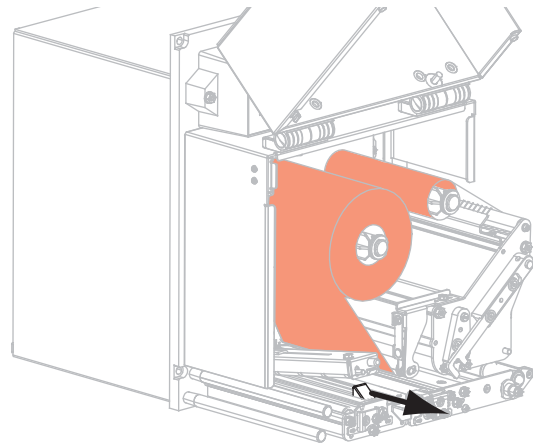


RH

9. Slide the media guide all the way out.

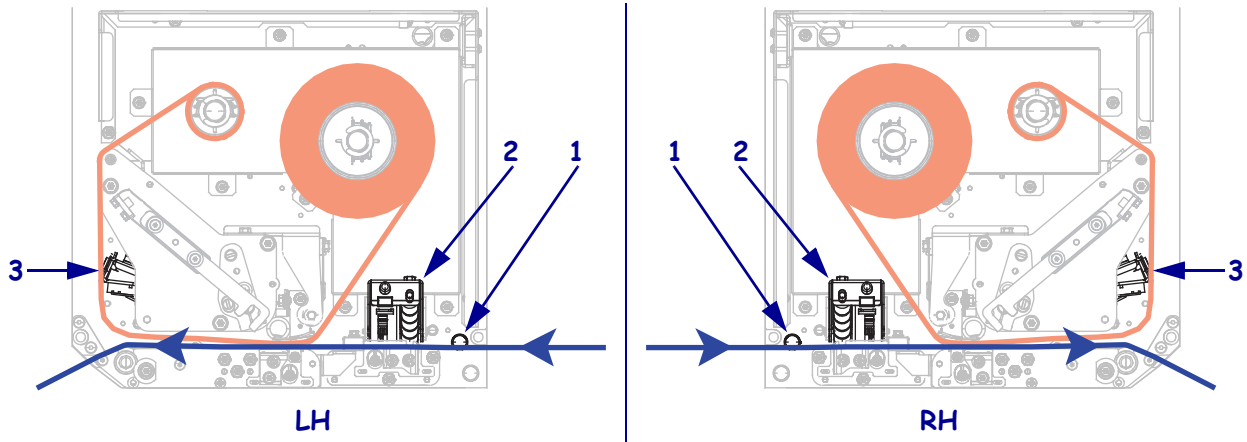


LH

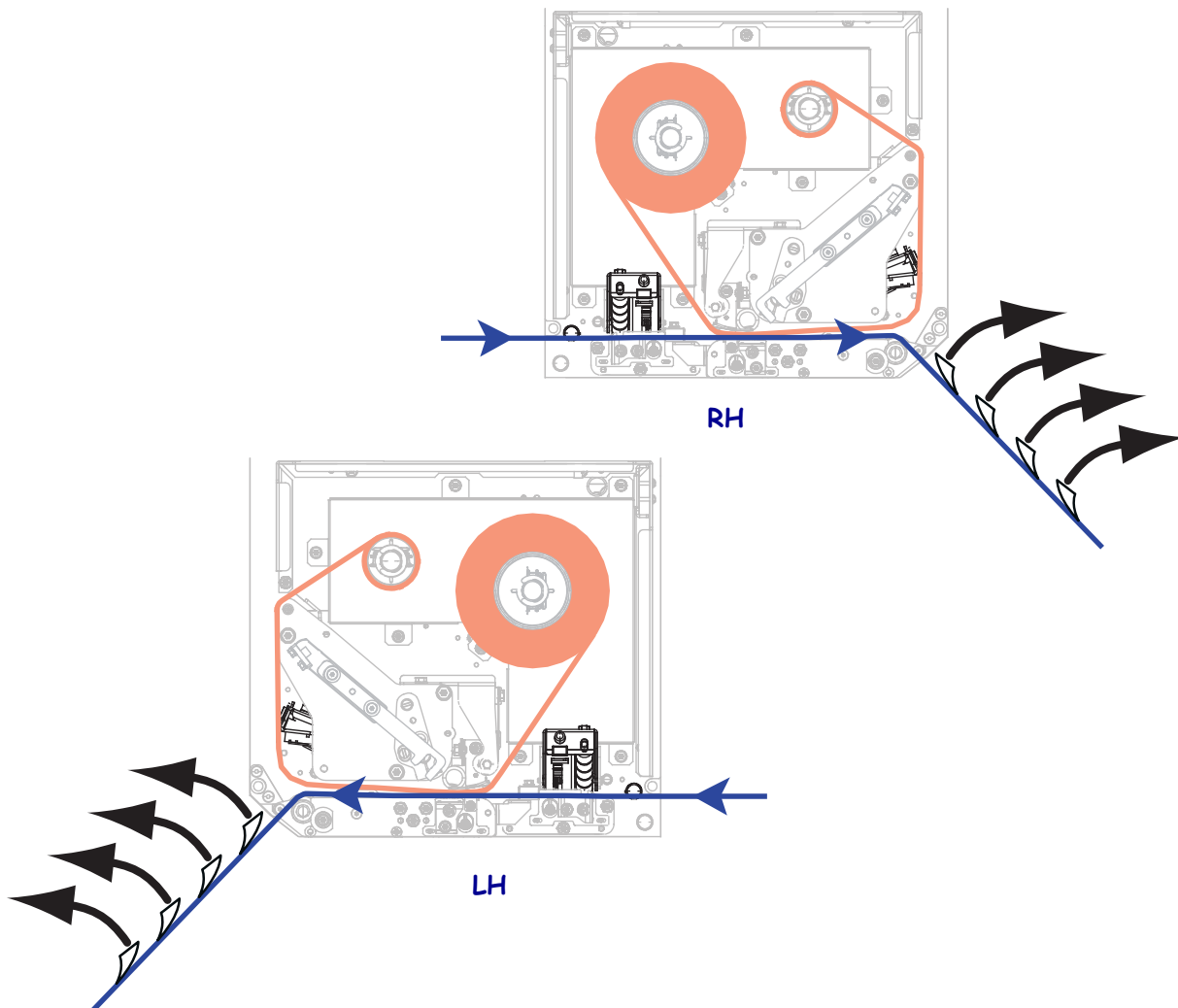


RH

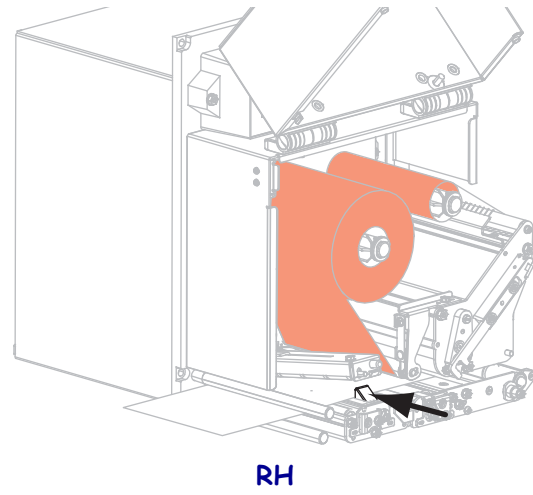
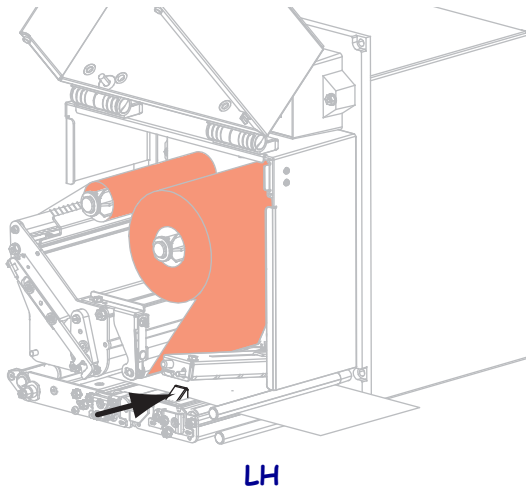
10. Thread the media under the upper guide post (1), below the pinch roller assembly (2), and under the printhead assembly (3).



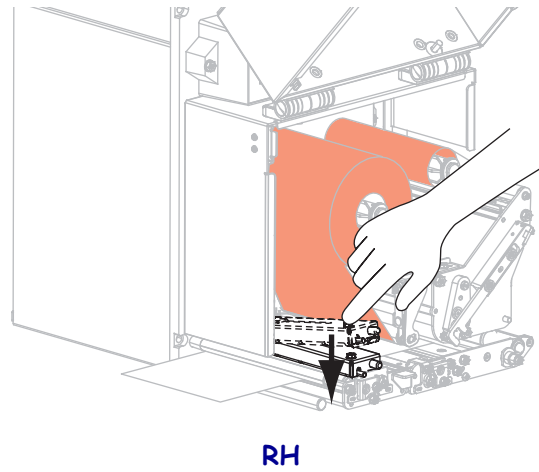
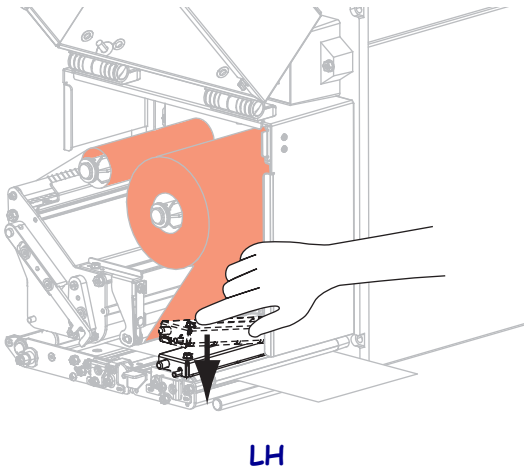
11. Extend approximately 30 in. (75 cm) of media past the peel bar. Remove and discard the labels from the liner on this exposed media.



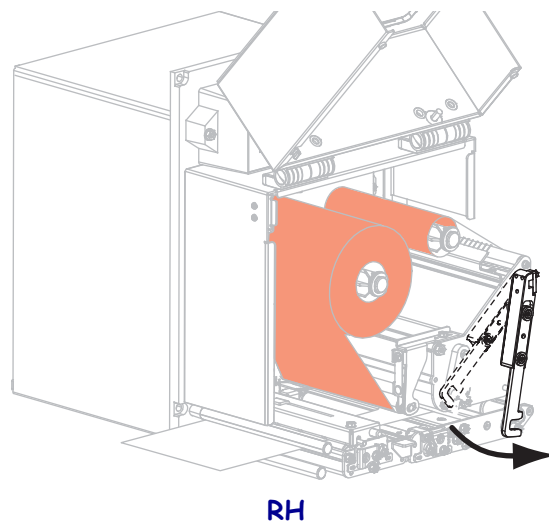
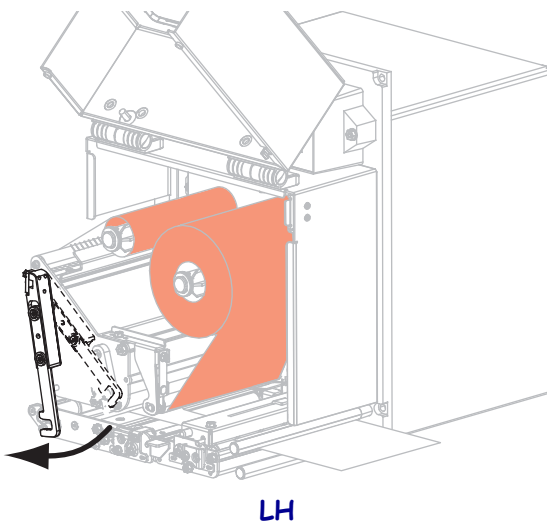
12. Slide in the media guide until it just touches the edge of the media.



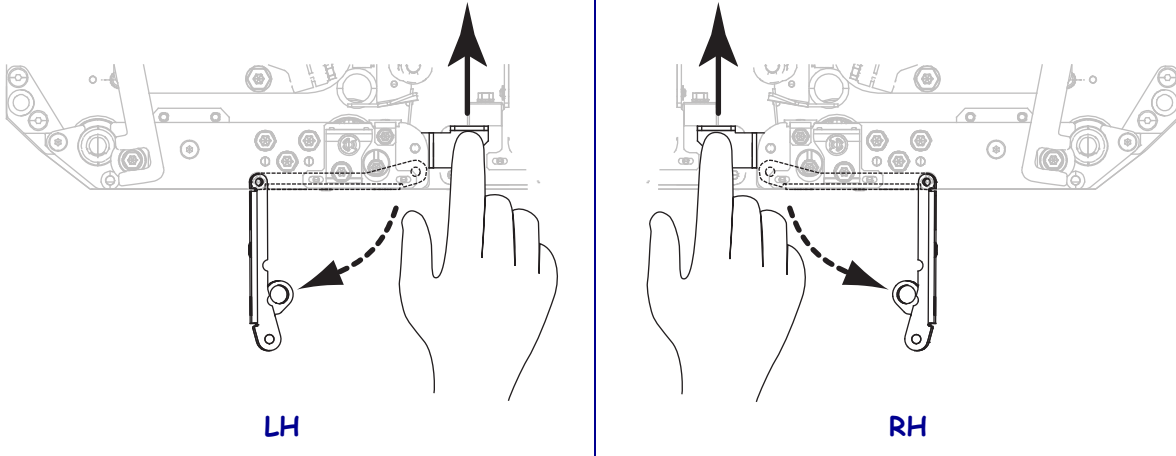
13. Press down on the pinch roller assembly until it locks closed.



14. Rotate the printhead-release latch to the closed position.



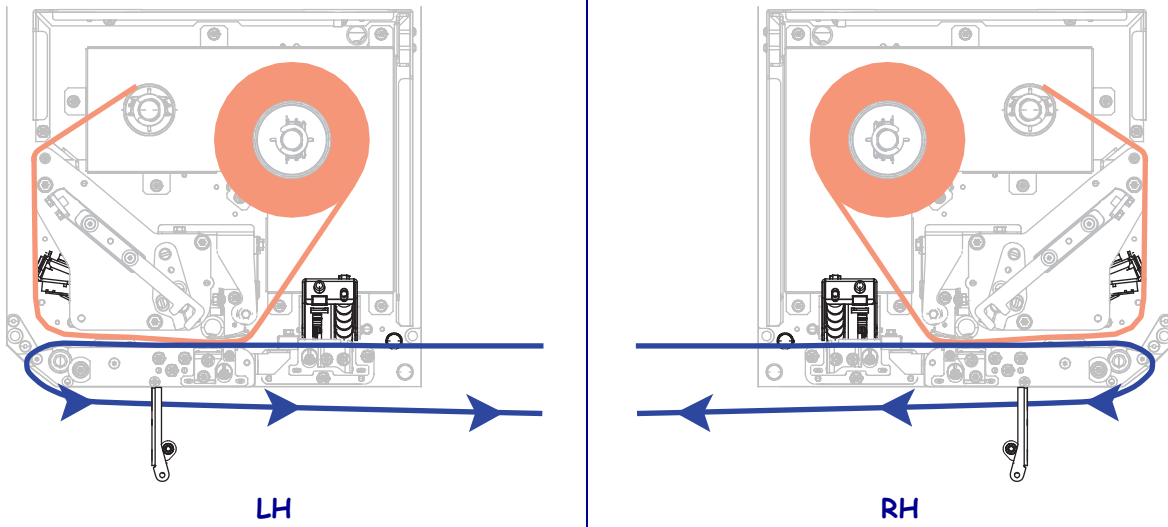
15. Raise the peel roller latch so that the peel roller assembly pivots downward.



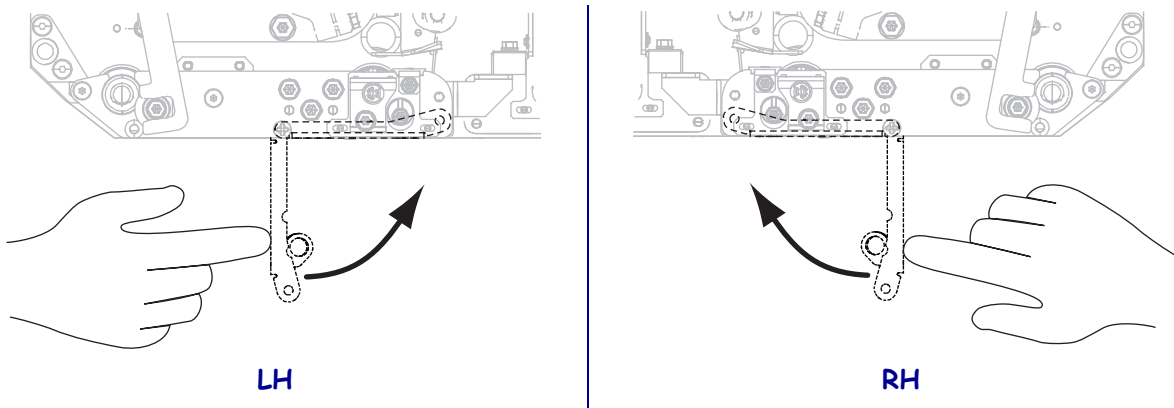
16. Thread the liner around the peel bar, under the platen roller, and through the peel roller assembly.



Important • If the applicator has an air tube, route the liner between the air tube and the peel bar. Do not thread the liner over the air tube.

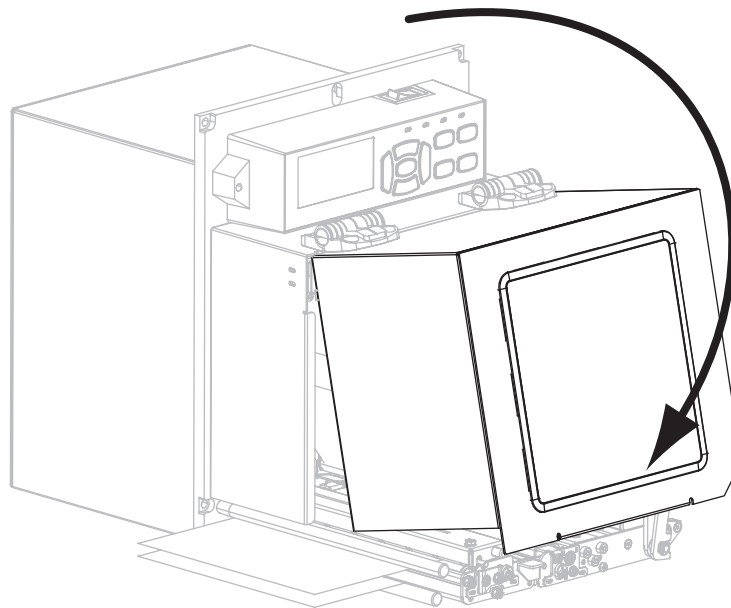


17. Rotate the peel roller assembly up until it locks into the closed position.



18. Thread the liner around the take-up spindle of the applicator (refer to the applicator's documentation for more information).

19. Close the media door.



20. If desired, perform the *CANCEL Self Test* on page 149 to verify that your printer is able to print.



Notes • _____

Printer Configuration and Adjustment

This section assists you with configuration of and adjustments to the print engine.

Contents

Changing Printer Settings	70
Print Settings	71
Maintenance and Diagnostic Tools	80
Network Settings	87
Language Settings	91
Sensor Settings	93
Port Settings	94
Calibrate the Ribbon and Media Sensors	97
Remove Used Ribbon	101
Adjust the Sensors	102
Transmissive Media Sensor	102
Reflective Media Sensor	103
Ribbon Sensor	103
Toggle Positioning	104
Printhead Pressure Adjustment	106

Changing Printer Settings

This section presents the printer settings that you can change and identifies the tools for changing them. These tools include the following:

- ZPL and Set/Get/Do (SGD) commands (See the *Zebra® Programming Guide* for more information.)
- The printer's **control panel display** (See *Control Panel Display on page 15* for more information.)
- The printer's **web pages** when the printer has an active wired or wireless print server connection (See the *ZebraNet Wired and Wireless Print Servers User Guide* for more information.)

This section contains the following subsections:

- *Print Settings on page 71*
- *Maintenance and Diagnostic Tools on page 80*
- *Network Settings on page 87*
- *Language Settings on page 91*
- *Port Settings on page 94*

For information about RFID parameters, see the *RFID Programming Guide 2*.



Note • You can download the latest copy of the referenced manuals from <http://www.zebra.com/manuals>.

Print Settings

Table 4 • Print Settings

Print Darkness	Set the darkness to the lowest setting that provides good print quality. If you set the darkness too high, the label image may print unclearly, bar codes may not scan correctly, the ribbon may burn through, or the printhead may wear prematurely. If desired, use the FEED Self Test on page 134 to determine the best darkness setting.
	<i>Accepted values:</i> 0.0 – 30.0
	<i>Related ZPL command(s):</i> ^MD, ~SD
	<i>SGD command used:</i> print.tone
	<i>Control panel menu item:</i> DARKNESS on page 19
	<i>Printer web page:</i> View and Modify Printer Settings > General Setup > Darkness
Print Speed	Select the speed for printing a label (given in inches per second). Slower print speeds typically yield better print quality.
	<i>Accepted values:</i> <ul style="list-style-type: none"> • ZE500-4 203 dpi: 2–12 ips • ZE500-4 300 dpi: 2–12 ips • ZE500-6 203 dpi: 2–12 ips • ZE500-6 300 dpi: 2–10 ips
	<i>Related ZPL command(s):</i> ^PR
	<i>SGD command used:</i> media.speed
	<i>Control panel menu item:</i> PRINT SPEED on page 19
	<i>Printer web page:</i> View and Modify Printer Settings > General Setup > Print Speed
Slew Speed	The slew speed is the speed at which the printer skips over the areas in a label format that are blank across the full width of the image. A faster slew speed may reduce printing time. The print engine automatically senses when to apply this higher speed.
	<i>Accepted values:</i> <ul style="list-style-type: none"> • ZE500-4 203 dpi: 2–12 ips • ZE500-4 300 dpi: 2–12 ips • ZE500-6 203 dpi: 2–12 ips • ZE500-6 300 dpi: 2–10 ips
	<i>Related ZPL command(s):</i> ^PR
	<i>SGD command used:</i> none
	<i>Control panel menu item:</i> SLEW SPEED on page 19
	<i>Printer web page:</i> none

Table 4 • Print Settings (Continued)

<p>Backfeed Speed</p>	<p>Backfeed refers to the backward motion of the media from the tear-off or peel-off position to the print position. This motion occurs so that more of the lead edge of each label can be used for printing. Reducing backfeed speed can mitigate some issues. In general, reducing the backfeed speed may improve print quality at the start of the label. This speed defaults to 2 ips.</p> <p><i>Accepted values:</i></p> <ul style="list-style-type: none"> • ZE500-4 203 dpi: 2–12 ips • ZE500-4 300 dpi: 2–12 ips • ZE500-6 203 dpi: 2–12 ips • ZE500-6 300 dpi: 2–10 ips <p><i>Related ZPL command(s):</i> ^PR</p> <p><i>SGD command used:</i> none</p> <p><i>Control panel menu item:</i> BACKFEED SPEED on page 19</p> <p><i>Printer web page:</i> none</p>				
<p>Tear-Off Position</p>	<p>If necessary, adjust the position of the media over the tear-off bar after printing.</p> <ul style="list-style-type: none"> • Higher numbers move the media out (the tear line moves closer to the leading edge of the next label). • Lower numbers move the media in (the tear line moves closer to the edge of the label just printed). <div data-bbox="690 976 1128 1297" style="text-align: center;"> </div> <table border="1" data-bbox="544 1327 1269 1402" style="margin-left: auto; margin-right: auto;"> <tr> <td style="text-align: center;">1</td> <td>Media direction</td> </tr> <tr> <td style="text-align: center;">2</td> <td>Factory-set tear line location at position 000</td> </tr> </table> <p><i>Accepted values:</i> -120 to 120</p> <p><i>Related ZPL command(s):</i> ~TA</p> <p><i>SGD command used:</i> none</p> <p><i>Control panel menu item:</i> TEAR OFF on page 20</p> <p><i>Printer web page:</i> View and Modify Printer Settings > General Setup > Tear Off</p>	1	Media direction	2	Factory-set tear line location at position 000
1	Media direction				
2	Factory-set tear line location at position 000				

Table 4 • Print Settings (Continued)

Print Mode	Select a print mode that is compatible with your print engine options.
	<p><i>Accepted values:</i></p> <ul style="list-style-type: none"> • APPLICATOR—The print engine prints a label when it receives a signal from the applicator. • TEAR OFF—The print engine prints label formats as it receives them. The print engine operator can tear off the printed labels any time after they print. • STREAM—The print engine prints a batch of labels with backfeed occurring only at the start and end of the batch instead of between individual labels. This setting increases label throughput in batch printing. • REWIND—The print engine prints without pausing between labels. The media is wound onto a core after printing. • RFID—The print engine does not backfeed between labels. When the last label prints, the print engine waits 1 second for another label format before feeding the last printed label to the tear-off position. Use this mode when printing multiple RFID labels in Tear-Off mode to improve throughput time.
	<i>Related ZPL command(s):</i> ^MM
	<i>SGD command used:</i> media.printmode
	<i>Control panel menu item:</i> PRINT MODE on page 20
<i>Printer web page:</i> View and Modify Printer Settings > General Setup > Print Mode	
Applicator Port	Select the appropriate action for the applicator port, as suggested by the applicator manufacturer.
	<p><i>Accepted values:</i></p> <ul style="list-style-type: none"> • OFF: The applicator port is off. • MODE 1: Asserts the ~END_PRINT signal low while the print engine is moving the label forward. • MODE 2: Asserts the ~END_PRINT signal high while the print engine is moving the label forward. • MODE 3: Asserts the ~END_PRINT signal low for 20 milliseconds when a label has been completed and positioned. Not asserted during continuous printing modes. • MODE 4: Asserts the ~END_PRINT signal high for 20 milliseconds when a label has been completed and positioned. Not asserted during continuous printing modes.
	<i>Related ZPL command(s):</i> ^JJ
	<i>SGD command used:</i> device.applicator.end_print
	<i>Control panel menu item:</i> APPLICATOR PORT on page 20
<i>Printer web page:</i> View and Modify Printer Settings > Advanced Setup > Applicator	

Table 4 • Print Settings (Continued)


Start Print Signal	<p>This parameter determines how the print engine reacts to the Start Print Signal input on pin 3 of the applicator interface connector at the rear of the print engine.</p> <p> Important • The Start Print Signal is determined by the applicator manufacturer. The print engine must use the correct setting for it to work properly.</p> <p><i>Accepted values:</i></p> <ul style="list-style-type: none"> • PULSE MODE—Labels print when the signal transitions from HIGH to LOW or LOW to HIGH, as specified by the SGD command <code>device.applicator.start_print</code>. • LEVEL MODE—Labels print as long as the signal is asserted LOW. <p><i>Related ZPL command(s):</i> ^JJ</p> <p><i>SGD command used:</i> none</p> <p><i>Control panel menu item:</i> START PRINT SIG on page 20</p> <p><i>Printer web page:</i> View and Modify Printer Settings > Advanced Setup > Start Print Sig</p>
Media Type	<p>Select the type of media that you are using.</p> <ul style="list-style-type: none"> • If you select CONTINUOUS, you must include a label length in your label format (^LL if you are using ZPL). • If you select NON-CONTINUOUS for various non-continuous media, the print engine feeds media to calculate the label length. <p>See Types of Media on page 47 for more information.</p> <p><i>Accepted values:</i></p> <ul style="list-style-type: none"> • CONTINUOUS • NON-CONTINUOUS <p><i>Related ZPL command(s):</i> ^MN</p> <p><i>SGD command used:</i> none</p> <p><i>Control panel menu item:</i> MEDIA TYPE on page 20</p> <p><i>Printer web page:</i> View and Modify Printer Settings > Media Setup > Media Type</p>
Print Method	<p>Specify if ribbon is being used. Thermal Transfer media requires ribbon for printing while Direct Thermal media does not.</p> <p>To determine if you need to use ribbon, see When to Use Ribbon on page 39.</p> <p><i>Accepted values:</i></p> <ul style="list-style-type: none"> • THERMAL TRANS • DIRECT THERMAL <p><i>Related ZPL command(s):</i> ^MT</p> <p><i>SGD command used:</i> none</p> <p><i>Control panel menu item:</i> PRINT METHOD on page 21</p> <p><i>Printer web page:</i> View and Modify Printer Settings > Media Setup > Print Method</p>

Table 4 • Print Settings (Continued)


Print Width	Specify the width of the labels being used.
	 <p>Note • Setting the width too narrow can result in portions of a label format not being printed on the media. Setting the width too wide wastes formatting memory and can cause the printer to print off of the label and onto the platen roller. This setting can affect the horizontal position of the label format if the image was inverted using the ^POI ZPL II command.</p>
	<p><i>Accepted values:</i> minimum: 2 dots maximum: • ZE500-4 203 dpi: 832 dots • ZE500-4 300 dpi: 1228 dots • ZE500-6 203 dpi: 1344 dots • ZE500-6 300 dpi: 1984 dots</p>
	<p><i>Related ZPL command(s):</i> ^PW</p>
	<p><i>SGD command used:</i> none</p>
	<p><i>Control panel menu item:</i> PRINT WIDTH on page 21</p>
	<p><i>Printer web page:</i> View and Modify Printer Settings > Media Setup > Print Width</p>

Table 4 • Print Settings (Continued)

Maximum Label Length	<p>Set the maximum label length to a value that is at least 1.0 in. (25.4 mm) greater than the actual label length plus the interlabel gap. If you set the value to one that is smaller than the label length, the print engine assumes that continuous media is loaded, and the print engine cannot calibrate.</p> <p>For example, if the label length is 6.0 inches (152 mm) including the interlabel gap, set the parameter for at least 7.0 inches (178 mm).</p>
<p>The diagram illustrates two labels stacked vertically. Each label contains the following ZPL code: AaBbCcDdEeFfGgHhIiJjKkLl MmNnOoPpQqRrSsTtUuVv WwXxYyZz1234567890!@# \$%&*'+-=?":;.,<>{ } AaBbCcDdEeFfGgHhIiJjKkLl MmNnOoPpQqRrSsTtUuVv WwXxYyZz1234567890!@# \$%&*'+-=?":;.,<>{ } </p> <p>Dimension 1 is the height of a single label. Dimension 2 is the vertical gap between the two labels. Dimension 3 is the total height from the top of the first label to the bottom of the second label, including the gap.</p>	
1	Label length (including interlabel gap)
2	Interlabel gap
3	Set the maximum label length to approximately this value
<p><i>Accepted values:</i> 0 to the maximum label length supported by the printer</p>	
<p><i>Related ZPL command(s):</i> ^ML</p>	
<p><i>SGD command used:</i> none</p>	
<p><i>Control panel menu item:</i> MAXIMUM LENGTH on page 21</p>	
<p><i>Printer web page:</i> View and Modify Printer Settings > Media Setup > Maximum Length</p>	

Table 4 • Print Settings (Continued)

<p>Ribbon Tension</p>	<p>Select the ribbon tension setting that is appropriate for the width or type of media being printed. HIGH can be used for most media. The correct setting is determined by a combination of the ribbon width and the ribbon length (Table 5). If necessary, use a lower value for narrow media or for glossy media.</p> <p style="text-align: center;">Table 5 • Ribbon Tension Settings</p> <table border="1" style="width: 100%; border-collapse: collapse;"> <thead> <tr> <th rowspan="2" style="text-align: center;">Ribbon Width</th> <th colspan="3" style="text-align: center;">Ribbon Length</th> </tr> <tr> <th style="text-align: center;">300 Meters</th> <th style="text-align: center;">450 Meters</th> <th style="text-align: center;">600 Meters</th> </tr> </thead> <tbody> <tr> <td style="text-align: center;">3 to 5 in. (76 to 127 mm)</td> <td style="text-align: center;">LOW</td> <td style="text-align: center;">LOW</td> <td style="text-align: center;">LOW</td> </tr> <tr> <td style="text-align: center;">4 to 6 in. (102 to 152 mm)</td> <td style="text-align: center;">LOW</td> <td style="text-align: center;">LOW or MEDIUM</td> <td style="text-align: center;">LOW or MEDIUM</td> </tr> <tr> <td style="text-align: center;">5 to 7 in. (127 to 178 mm)</td> <td style="text-align: center;">LOW or MEDIUM</td> <td style="text-align: center;">MEDIUM</td> <td style="text-align: center;">MEDIUM or HIGH</td> </tr> </tbody> </table> <p><i>Accepted values:</i></p> <ul style="list-style-type: none"> • HIGH • MEDIUM • LOW <p><i>Related ZPL command(s):</i> ^JW</p> <p><i>SGD command used:</i> none</p> <p><i>Control panel menu item:</i> RIBBON TENSION on page 29</p> <p><i>Printer web page:</i> none</p>	Ribbon Width	Ribbon Length			300 Meters	450 Meters	600 Meters	3 to 5 in. (76 to 127 mm)	LOW	LOW	LOW	4 to 6 in. (102 to 152 mm)	LOW	LOW or MEDIUM	LOW or MEDIUM	5 to 7 in. (127 to 178 mm)	LOW or MEDIUM	MEDIUM	MEDIUM or HIGH
Ribbon Width	Ribbon Length																			
	300 Meters	450 Meters	600 Meters																	
3 to 5 in. (76 to 127 mm)	LOW	LOW	LOW																	
4 to 6 in. (102 to 152 mm)	LOW	LOW or MEDIUM	LOW or MEDIUM																	
5 to 7 in. (127 to 178 mm)	LOW or MEDIUM	MEDIUM	MEDIUM or HIGH																	
<p>Backfeed Sequence</p>	<p>This parameter sets when label backfeed occurs after a label is removed in some print modes. It has no effect in Rewind mode. This setting is superseded by ~JS when received as part of a label format.</p> <p><i>Accepted values:</i></p> <ul style="list-style-type: none"> • AFTER (backfeed occurs immediately after the last label is completed) • OFF (no backfeed) • BEFORE (backfeed occurs before the forward motion of the first label) • DEFAULT <p><i>Related ZPL command(s):</i> ~JS</p> <p><i>SGD command used:</i> none</p> <p><i>Control panel menu item:</i> BACKFEED on page 30</p> <p><i>Printer web page:</i> View and Modify Printer Settings > Advanced Setup > Backfeed</p>																			

Table 4 • Print Settings (Continued)

Label Top Position	This parameter adjusts the print position vertically on the label. Positive numbers adjust the label top position farther down the label (away from the printhead) by the specified number of dots. Negative numbers adjust the position up the label (toward the printhead).
	<i>Accepted values:</i> –120 to 120
	<i>Related ZPL command(s):</i> ^LT
	<i>SGD command used:</i> none
	<i>Control panel menu item:</i> LABEL TOP on page 30
	<i>Printer web page:</i> View and Modify Printer Settings > General Setup > Label Top
Label Left Position	If necessary, shift the print position horizontally on the label. Positive numbers move the left edge of the image toward the center of the label by the number of dots selected, while negative numbers move the left edge of the image toward the left edge of the label.
	<i>Accepted values:</i> –9999 to 9999
	<i>Related ZPL command(s):</i> ^LS
	<i>SGD command used:</i> none
	<i>Control panel menu item:</i> LEFT POSITION on page 30
	<i>Printer web page:</i> View and Modify Printer Settings > Advanced Setup > Left Position
Head Test Count	The ZE500-6 print engine periodically performs a test of the printhead functionality. This parameter establishes how many labels are printed between these internal tests.
	<i>Accepted values:</i> 0000 (disables the test) to 9999
	<i>Related ZPL command(s):</i> ^JT
	<i>SGD command used:</i> none
	<i>Control panel menu item:</i> HEAD TEST COUNT on page 30
	<i>Printer web page:</i> View and Modify Printer Settings > Advanced Setup > Head Test Count
Error on Pause	When this option is enabled and the print engine is paused, the print engine sets the applicator error state.
	<i>Accepted values:</i> <ul style="list-style-type: none"> • ENABLED • DISABLED
	<i>Related ZPL command(s):</i> ^JJ
	<i>SGD command used:</i> none
	<i>Control panel menu item:</i> ERROR ON PAUSE on page 31
	<i>Printer web page:</i> View and Modify Printer Settings > Advanced Setup > Error on Pause

Table 4 • Print Settings (Continued)

Ribbon Low Mode	The Ribbon Low feature determines if the print engine will generate a warning when the amount of ribbon left on the roll gets low. When the Ribbon Low feature is off, the output signal (Pin 9) does not function, the LOW RIBBON warning is not displayed, and the print engine continues to print until it runs out of ribbon. When the Ribbon Low feature is enabled, output signal (Pin 9) on the applicator port is functional. When the amount of ribbon on the supply spindle gets low, the output signal asserts to provide a RIBBON LOW warning. Set the output signal to assert HIGH or LOW.
	<i>Accepted values:</i> <ul style="list-style-type: none"> • ENABLED • DISABLED
	<i>Related ZPL command(s):</i> ^JJ
	<i>SGD command used:</i> none
	<i>Control panel menu item:</i> RIBBON LOW MODE on page 31
	<i>Printer web page:</i> none
Ribbon Low Output	When the Ribbon Low feature is enabled, this parameter determines if the output signal on Pin 9 is HIGH or LOW.
	<i>Accepted values:</i> <ul style="list-style-type: none"> • ACTIVE HIGH • ACTIVE LOW
	<i>Related ZPL command(s):</i> none
	<i>SGD command used:</i> device.applicator.ribbon_low
	<i>Control panel menu item:</i> RIBBON LOW OUTPUT on page 31
	<i>Printer web page:</i> none
Reprint Mode	When reprint mode is enabled, you can reprint the last label printed by pressing and holding PAUSE + CANCEL on the printer's control panel.
	<i>Accepted values:</i> <ul style="list-style-type: none"> • ON • OFF
	<i>Related ZPL command(s):</i> ^JZ
	<i>SGD command used:</i> none
	<i>Control panel menu item:</i> REPRINT MODE on page 32
	<i>Printer web page:</i> N/A

Maintenance and Diagnostic Tools

Table 6 • Maintenance and Diagnostic Tools

Early Warning for Media and Ribbon	When this feature is enabled, the print engine provides warnings when the media or ribbon is reaching near the end of the roll.
	<i>Accepted values:</i> MEDIA DISABLED, MEDIA ENABLED
	<i>Related ZPL command(s):</i> ^JH
	<i>SGD command used:</i> none
	<i>Control panel menu item:</i> EARLY WARNING MEDIA on page 21
<i>Printer web page:</i> View and Modify Printer Settings > General Setup > Early Warning (Media)	
Early Warning for Maintenance	When this feature is enabled, the print engine provides warnings when the printhead needs to be cleaned.
	<i>Accepted values:</i> MAINT. OFF, MAINT. ON
	<i>Related ZPL command(s):</i> ^JH
	<i>SGD command used:</i> none
	<i>Control panel menu item:</i> EARLY WARNING MAINTENANCE on page 23
<i>Printer web page:</i> View and Modify Printer Settings > General Setup > Early Warning (Maintenance)	
Printhead Cleaning Interval	When Early Warning for Maintenance is enabled, set this value to the length of the media or ribbon roll that you are using. When the printhead reaches the set length, WARNING CLEAN PRINTHEAD appears on the control panel display. If the alert function is enabled, the print engine generates an alert.
	<i>Accepted values:</i> 0 M/0 FT to 450M/1476 FT in 50 M increments
	<i>Related ZPL command(s):</i> ^JH
	<i>SGD command used:</i> none
	<i>Control panel menu item:</i> HEAD CLEANING on page 23
<i>Printer web page:</i> View and Modify Printer Settings > General Setup > Head Cleaning	
Printhead Life Expectancy	When Early Warning for Maintenance is enabled, set this value to the number of inches of media that the printhead is expected to print. When the printhead reaches the set length, WARNING REPLACE HEAD appears on the control panel display. If the alert function is enabled, the print engine generates an alert.
	<i>Accepted values:</i> 0 M/0 FT to 450M/1476 FT in 50 M increments
	<i>Related ZPL command(s):</i> ^JH
	<i>SGD command used:</i> none
	<i>Control panel menu item:</i> HEAD LIFE on page 23
<i>Printer web page:</i> View and Modify Printer Settings > General Setup > Head Life	

Table 6 • Maintenance and Diagnostic Tools (Continued)

Non-Resetable Counter	The non-resetable counter gives the total length of media that the printer has printed. You can use firmware commands to change the unit of measure for this counter.
	<i>Related ZPL command(s):</i> ^MA (for changing unit of measure)
	<i>SGD command used:</i> none
	<i>Control panel menu item:</i> NONRESET CNTR on page 24
	<i>Printer web page:</i> none
User-Controlled Counters	Two user-controlled counters give the total length of media that the printer has printed since the last time the counter was reset. You can use firmware commands to change the unit of measure and reset the counters.
	<i>Related ZPL command(s):</i> ^MA (for changing unit of measure) ~RO (for resetting counters)
	<i>SGD command used:</i> odometer.media_marker_count1 odometer.media_marker_count2
	<i>Control panel menu item:</i> RESET CNTR1 on page 24 RESET CNTR2 on page 24
	<i>Printer web page:</i> none
Print Counter Readings	Prints a label that lists the odometer readings for the following: <ul style="list-style-type: none"> • the non-resetable counter • the two user-controlled counters • the Early Warning for Maintenance counters, which indicate when the printhead was last cleaned and the printhead life (If the Early Warning for Maintenance feature is disabled, the counters related to it do not print.)
	<i>Related ZPL command(s):</i> ~HQ
	<i>SGD command used:</i> none
	<i>Control panel menu item:</i> PRINT METERS on page 24
	<i>Printer web page:</i> none

Table 6 • Maintenance and Diagnostic Tools (Continued)

<p>Print Information</p>	<p>Print the specified information on one or more labels.</p> <ul style="list-style-type: none"> • FONTS—Prints the available fonts in the print engine, including standard print engine fonts plus any optional fonts. Fonts may be stored in RAM or Flash memory. • BAR CODES—Prints the available bar codes in the print engine. Bar codes may be stored in RAM or Flash memory. • IMAGES—Prints the available images stored in the print engine’s RAM, Flash memory, or optional memory card. • FORMATS—Prints the available formats stored in the printer’s RAM, Flash memory, or optional memory card. • SETUP—Prints the printer configuration label. • NETWORK—Prints the settings for any print server that is installed. • ALL—Prints the previous six labels. <hr/> <p><i>Related ZPL command(s):</i> Printer configuration: ~WC Network: ~WL Others: ^WD</p> <hr/> <p><i>SGD command used:</i> none</p> <hr/> <p><i>Control panel menu item:</i> LIST FONTS on page 24 LIST BAR CODES on page 25 LIST IMAGES on page 25 LIST FORMATS on page 25 LIST SETUP on page 25 LIST NETWORK on page 25 LIST ALL on page 26</p> <hr/> <p><i>Printer web page:</i> View and Modify Printer Settings > Print Listings on Label</p>
<p>Print a Sensor Profile</p>	<p>Shows the sensor settings compared to actual sensor readings. To interpret the results of the sensor profile, see Sensor Profile on page 139.</p> <hr/> <p><i>Related ZPL command(s):</i> ~JG</p> <hr/> <p><i>SGD command used:</i> none</p> <hr/> <p><i>Control panel menu item:</i> SENSOR PROFILE on page 26</p> <hr/> <p><i>Printer web page:</i> View and Modify Printer Settings > Print Listings on Label</p>
<p>Initialize Flash Memory</p>	<p>This option erases all previously stored information from Flash memory. Caution • This option completely erases the Flash memory.</p> <hr/> <p><i>Related ZPL command(s):</i> ^JB</p> <hr/> <p><i>SGD command used:</i> none</p> <hr/> <p><i>Control panel menu item:</i> INIT FLASH MEM. on page 26</p> <hr/> <p><i>Printer web page:</i> View and Modify Printer Settings > Advanced Setup > Format Memory</p>

Table 6 • Maintenance and Diagnostic Tools (Continued)

Power-Up Action	<p>Set the Power-Up Action</p> <p>Set the action for the printer to take during the power-up sequence.</p> <ul style="list-style-type: none"> • CALIBRATE adjusts sensor levels and thresholds, determines the label length, and feeds the media to the next web. • FEED—feeds the labels to the first registration point. • LENGTH determines the label length using current sensor values, and feeds the media to the next web. • NO MOTION tells the printer not to move the media. You must manually ensure that the web is positioned correctly, or press feed to position the next web. • SHORT CAL sets the media and web thresholds without adjusting sensor gain, determines the label length, and feeds the media to the next web. <hr/> <p><i>Accepted values:</i></p> <ul style="list-style-type: none"> • CALIBRATE • FEED • LENGTH • NO MOTION • SHORT CAL <hr/> <p><i>Related ZPL command(s):</i> ^MF</p> <hr/> <p><i>SGD command used:</i> none</p> <hr/> <p><i>Control panel menu item:</i> MEDIA POWER UP on page 29</p> <hr/> <p><i>Printer web page:</i> View and Modify Printer Settings > Calibration</p>
Head-Close Action	<p>Set the Head-Close Action</p> <p>Set the action for the printer to take when you close the printhead.</p> <ul style="list-style-type: none"> • CALIBRATE adjusts sensor levels and thresholds, determines the label length, and feeds the media to the next web. • FEED—feeds the labels to the first registration point. • LENGTH determines the label length using current sensor values, and feeds the media to the next web. • NO MOTION tells the printer not to move the media. You must manually ensure that the web is positioned correctly, or press feed to position the next web. • SHORT CAL sets the media and web thresholds without adjusting sensor gain, determines the label length, and feeds the media to the next web. <hr/> <p><i>Accepted values:</i></p> <ul style="list-style-type: none"> • CALIBRATE • FEED • LENGTH • NO MOTION • SHORT CAL <hr/> <p><i>Related ZPL command(s):</i> ^MF</p> <hr/> <p><i>SGD command used:</i> none</p> <hr/> <p><i>Control panel menu item:</i> HEAD CLOSE on page 30</p> <hr/> <p><i>Printer web page:</i> View and Modify Printer Settings > Calibration</p>

Table 6 • Maintenance and Diagnostic Tools (Continued)

Load Defaults	Load Printer or Print Server Defaults
	<ul style="list-style-type: none"> • FACTORY—Restores all printer settings other than the network settings back to the factory defaults. Use care when loading defaults because you will need to reload all settings that you changed manually. • NETWORK—Reinitializes the printer’s wired or wireless print server. With a wireless print server, the printer will also reassociate with your wireless network. • LAST SAVED—Loads settings from the last permanent save.
	<p><i>Accepted values:</i></p> <ul style="list-style-type: none"> • FACTORY • NETWORK • LAST SAVED
	<p><i>Related ZPL command(s):</i> Factory: ^JUF Network: ^JUN Last saved: ^JUR</p>
	<p><i>SGD command used:</i> none</p>
	<p><i>Control panel menu item:</i> Available as options when exiting Setup Mode. See Exit Setup Mode on page 17.</p>
	<p><i>Control panel key(s):</i></p> <p>Factory: Hold FEED + PAUSE during printer power-up to reset the printer parameters to factory values.</p> <p>Network: Hold CANCEL + PAUSE during printer power-up to reset the network parameters to factory values.</p> <p>Last saved: N/A</p>
	<p><i>Printer web page:</i> Factory: View and Modify Printer Settings > Restore Default Configuration Network: Print Server Settings > Reset Print Server Last saved: View and Modify Printer Settings > Restore Saved Configuration</p>

Table 6 • Maintenance and Diagnostic Tools (Continued)


Media and Ribbon Sensor Calibration	Calibrate the printer to adjust the sensitivity of the media and ribbon sensors. For complete instructions on how to perform a calibration procedure, see Calibrate the Ribbon and Media Sensors on page 97 .
	<i>Accepted values:</i> N/A
	<i>Related ZPL command(s):</i> ~JC
	<i>SGD command used:</i> none
	<i>Control panel menu item:</i> MEDIA AND RIBBON CALIBRATE on page 26
	<i>Control panel key(s):</i> Hold PAUSE + FEED + CANCEL for 2 seconds to initiate calibration.
	<i>Printer web page:</i> The calibration procedure cannot be initiated through the web pages. See the following web page for settings that are set during sensor calibration: View and Modify Printer Settings > Calibration  Important • Do not change these settings unless you are told to do so by Zebra Technical Support or by an authorized service technician.
Communication Diagnostics Mode	Use this diagnostics tool to cause the printer to output the hexadecimal values for all data received by the printer. For more information, see Communication Diagnostics Test on page 138 .
	<i>Accepted values:</i> <ul style="list-style-type: none"> • DISABLED • ENABLED
	<i>Related ZPL command(s):</i> ~JD to enable, ~JE to disable
	<i>SGD command used:</i> none
	<i>Control panel menu item:</i> COMMUNICATIONS on page 28
	<i>Printer web page:</i> N/A
Format Conversion	Selects the bitmap scaling factor. The first number is the original dots per inch (dpi) value; the second, the dpi to which you would like to scale.
	<i>Accepted values:</i> <ul style="list-style-type: none"> • NONE • 150 → 300 • 150 → 600 • 200 → 600 • 300 → 600
	<i>Related ZPL command(s):</i> none
	<i>SGD command used:</i> none
	<i>Control panel menu item:</i> FORMAT CONVERT on page 32
	<i>Printer web page:</i> none

Table 6 • Maintenance and Diagnostic Tools (Continued)

Idle Display	Select the information shown on the printer's display when the printer is idle.
	<i>Accepted values:</i> <ul style="list-style-type: none"> • FIRMWARE (FW) VERSION • MM/DD/YY 24 HR • M/DD/YY 12 HR • DD/MM/YY 24 HR • DD/MM/YY 12 HR
	<i>Related ZPL command(s):</i> none
	<i>SGD command used:</i> none
	<i>Control panel menu item:</i> IDLE DISPLAY on page 32
	<i>Printer web page:</i> N/A
RTC Date	This parameter allows you to set the date to display in the Idle Display.
	<i>Related ZPL command(s):</i> ^ST
	<i>SGD command used:</i> none
	<i>Control panel menu item:</i> RTC DATE on page 33
	<i>Printer web page:</i> none
RTC Time	This parameter allows you to set the time to display in the Idle Display.
	<i>Related ZPL command(s):</i> ^ST
	<i>SGD command used:</i> none
	<i>Control panel menu item:</i> RTC TIME on page 33
	<i>Printer web page:</i> none
Password Level	This parameter allows you to select whether certain factory-selected menu items or all menu items are password protected.
	<i>Accepted values:</i> <ul style="list-style-type: none"> • SELECTED ITEMS • ALL ITEMS
	<i>Related ZPL command(s):</i> none
	<i>SGD command used:</i> none
	<i>Control panel menu item:</i> PASSWORD LEVEL on page 36
	<i>Printer web page:</i> none
Run a ZBI Program	If you have ZBI 2.0 installed, you may choose to run a ZBI program that you have downloaded to your printer.
	<i>Accepted values:</i> N/A
	<i>Related ZPL command(s):</i> ^JI, ~JI
	<i>SGD command used:</i> zbi.control.run
	<i>Control panel menu item:</i> Run the Specified ZBI Program* on page 33
	<i>Printer web page:</i> Directory Listing

Network Settings

Table 7 • Network Settings

Primary Network	Select the Primary Network Device This parameter determines which device should be considered primary in the active device selection.
	<i>Accepted values:</i> <ul style="list-style-type: none"> • WIRED • WIRELESS
	<i>Related ZPL command(s):</i> ^NC
	<i>SGD command used:</i> ip.primary_network
	<i>Control panel menu item:</i> PRIMARY NETWORK on page 33
	<i>Printer web page:</i> none
Load from External Device	View if IP Settings Are Loaded from the Printer or Print Server This parameter tells whether to use the print engine's or the print server's LAN/WLAN settings at power-up. The default is to use the print engine's settings.
	<i>Accepted values:</i> <ul style="list-style-type: none"> • YES • NO
	<i>Related ZPL command(s):</i> ^NP
	<i>SGD command used:</i> none
	<i>Control panel menu item:</i> LOAD FROM EXT? on page 33
	<i>Printer web page:</i> none
Active Print Server	View the Active Print Server This menu item displays which print server is being used. This tells which device's settings such as IP protocol and IP address are being displayed under those menu items.
	<i>Accepted values:</i> <ul style="list-style-type: none"> • WIRELESS indicates that the wireless print server is active. • INTERNAL WIRED indicates that the internal wired print server is active. • EXTERNAL WIRED indicates that an external wired print server is active. • NONE indicates that one of the network options is installed but is not active. When NONE is shown for this menu item, the device-specific items such as IP protocol and IP address will not display.
	<i>Related ZPL command(s):</i> none
	<i>SGD command used:</i> none
	<i>Control panel menu item:</i> ACTIVE PRINTSRVR on page 34
	<i>Printer web page:</i> none

Table 7 • Network Settings (Continued)

IP Protocol	<p>Set the IP Resolution Method</p> <p>This parameter tells if the user (permanent) or the server (dynamic) selects the IP address. If a dynamic option is chosen, this parameter tells the method(s) by which the wired or wireless print server receives the IP address from the server.</p> <hr/> <p><i>Accepted values:</i></p> <ul style="list-style-type: none"> • ALL • GLEANING ONLY • RARP • BOOTP • DHCP • DHCP & BOOTP • PERMANENT <hr/> <p><i>Related ZPL command(s):</i> ^ND</p> <hr/> <p><i>SGD command used:</i> Wired: internal_wired.ip.protocol external_wired.ip.protocol Wireless: wlan.ip.protocol</p> <hr/> <p><i>Control panel menu item:</i> IP PROTOCOL on page 34</p> <hr/> <p><i>Printer web page:</i> View and Modify Printer Settings > Network Communications Setup > TCP/IP Settings > IP Protocol</p>
IP Address	<p>View or Set the Printer's IP Address</p> <p>View and, if necessary, change the printer's IP address.</p> <p>Changes to this setting are saved only if IP PROTOCOL is set to PERMANENT. To allow any saved changes to take effect, reset the print server (see Reset Network on page 90).</p> <hr/> <p><i>Accepted values:</i> 000 to 255 for each field</p> <hr/> <p><i>Related ZPL command(s):</i> ^ND</p> <hr/> <p><i>SGD command used:</i> Wired: internal_wired.ip.addr external_wired.ip.addr Wireless: ip.addr, wlan.ip.addr</p> <hr/> <p><i>Control panel menu item:</i> IP ADDRESS on page 34</p> <hr/> <p><i>Printer web page:</i> View and Modify Printer Settings > Network Communications Setup > TCP/IP Settings > IP Address</p>

Table 7 • Network Settings (Continued)

Subnet Mask	View or Set the Subnet Mask View and, if necessary, change the subnet mask. This menu item appears only if a wired or wireless print server is installed on your printer. To save changes to this setting, set IP PROTOCOL to PERMANENT, and then reset the print server (see Reset Network on page 90).
	<i>Accepted values:</i> 000 to 255 for each field
	<i>Related ZPL command(s):</i> ^ND
	<i>SGD command used:</i> Wired: internal_wired.ip.netmask external_wired.ip.netmask Wireless: wlan.ip.netmask
	<i>Control panel menu item:</i> SUBNET MASK on page 34
	<i>Printer web page:</i> View and Modify Printer Settings > Network Communications Setup > TCP/IP Settings > Subnet Mask
Default Gateway	View or Set the Default Gateway View and, if necessary, change the default gateway. This menu item appears only if a wired or wireless print server is installed on your printer. To save changes to this setting, set IP PROTOCOL to PERMANENT, and then reset the print server (see Reset Network on page 90).
	<i>Accepted values:</i> 000 to 255 for each field
	<i>Related ZPL command(s):</i> ^ND
	<i>SGD command used:</i> Wired: internal_wired.ip.gateway external_wired.ip.gateway Wireless: wlan.ip.gateway
	<i>Control panel menu item:</i> DEFAULT GATEWAY on page 35
	<i>Printer web page:</i> View and Modify Printer Settings > Network Communications Setup > TCP/IP Settings > Default Gateway
MAC Address	View the MAC Address View the Media Access Control (MAC) address of the print server that is installed in the printer (wired or wireless).
	<i>Accepted values:</i> N/A
	<i>Related ZPL command(s):</i> none
	<i>SGD command used:</i> Wired: internal_wired.mac_addr external_wired.mac_addr Wireless: wlan.mac_addr
	<i>Control panel menu item:</i> MAC ADDRESS on page 35
	<i>Printer web page:</i> none

Table 7 • Network Settings (Continued)

ESSID	View the ESSID Value
	The Extended Service Set Identification (ESSID) is an identifier for your wireless network. This setting, which cannot be modified from the control panel, gives the ESSID for the current wireless configuration.
	<i>Accepted values:</i> 32-character alphanumeric string (default 125)
	<i>Related ZPL command(s):</i> none
	<i>SGD command used:</i> wlan.essid
	<i>Control panel menu item:</i> ESSID on page 35
Reset Network	<i>Printer web page:</i> none
	This option resets the wired or wireless print server. You must reset the print server to allow any changes to the network settings to take effect.
	<i>Accepted values:</i> N/A
	<i>Related ZPL command(s):</i> ~WR
	<i>SGD command used:</i> device.reset
	<i>Control panel menu item:</i> RESET NETWORK on page 35
<i>Printer web page:</i> Print Server Settings > Factory Print Server Settings	

Language Settings

Table 8 • Language Settings



<p>Language</p>	<p>If necessary, change the language that the printer displays. This change affects the words shown on the following:</p> <ul style="list-style-type: none"> • status and error messages • the printer parameters • the printer configuration label, the network configuration label, and other labels that you can select to print through the user menus (This does not apply to Japanese, Korean, Simplified Chinese, or Traditional Chinese. Labels for those languages print in English.) <p> Note • The selections for this parameter are displayed in the actual languages to make it easier for you to find one that you are able to read.</p> <hr/> <p><i>Accepted values:</i> ENGLISH, SPANISH, FRENCH, GERMAN, ITALIAN, NORWEGIAN, PORTUGUESE, SWEDISH, DANISH, SPANISH 2, DUTCH, FINNISH, JAPANESE, KOREAN, SIMPLIFIED CHINESE, TRADITIONAL CHINESE, RUSSIAN, POLISH, CZECH, ROMANIAN</p> <hr/> <p><i>Related ZPL command(s):</i> ^KL</p> <hr/> <p><i>SGD command used:</i> none</p> <hr/> <p><i>Control panel menu item:</i> LANGUAGE on page 36</p> <hr/> <p><i>Printer web page:</i> View and Modify Printer Settings > General Setup > Language</p>
<p>Control Character</p>	<p>Set the Control Prefix Character Value The print engine looks for this two-digit hex character to indicate the start of a ZPL/ZPL II control instruction. Set the control prefix character to match what is used in your label formats.</p> <hr/> <p><i>Accepted values:</i> 00 to FF</p> <hr/> <p><i>Related ZPL command(s):</i> ^CT or ~CT</p> <hr/> <p><i>SGD command used:</i> none</p> <hr/> <p><i>Control panel menu item:</i> CONTROL PREFIX on page 28</p> <hr/> <p><i>Printer web page:</i> View and Modify Printer Settings > ZPL Control</p>

Table 8 • Language Settings (Continued)

<p>Command Character</p>	<p>Set the Format Command Prefix Value</p> <p>The format command prefix is a two-digit hex value used as a parameter place marker in ZPL/ZPL II format instructions. The print engine looks for this hex character to indicate the start of a ZPL/ZPL II format instruction.</p> <p>Set the format command prefix character to match what is used in your label formats.</p> <p> Important • You cannot use the same hex value for the format command prefix, control character, and delimiter characters. The print engine must see different characters to work properly. If you are setting the value through the control panel, the printer will skip any value that is already in use.</p> <hr/> <p><i>Accepted values:</i> 00 to FF</p> <hr/> <p><i>Related ZPL command(s):</i> ^CC or ~CC</p> <hr/> <p><i>SGD command used:</i> none</p> <hr/> <p><i>Control panel menu item:</i> FORMAT PREFIX on page 29</p> <hr/> <p><i>Printer web page:</i> View and Modify Printer Settings > ZPL Control</p>
<p>Delimiter Character</p>	<p>Set the Delimiter Character Value</p> <p>The delimiter character is a two-digit hex value used as a parameter place marker in ZPL/ZPL II format instructions.</p> <p>Set the delimiter character to match what is used in your label formats.</p> <hr/> <p><i>Accepted values:</i> 00 to FF</p> <hr/> <p><i>Related ZPL command(s):</i> ^CD or ~CD</p> <hr/> <p><i>SGD command used:</i> none</p> <hr/> <p><i>Control panel menu item:</i> DELIMITER CHAR on page 29</p> <hr/> <p><i>Printer web page:</i> View and Modify Printer Settings > ZPL Control</p>
<p>ZPL Mode</p>	<p>Set the ZPL Mode</p> <p>Select the ZPL mode that matches what is used in your label formats.</p> <p>This print engine accepts label formats written in either ZPL or ZPL II, eliminating the need to rewrite any ZPL formats that already exist. The print engine remains in the selected mode until it is changed in one of the ways listed here.</p> <hr/> <p><i>Accepted values:</i></p> <ul style="list-style-type: none"> • ZPL II • ZPL <hr/> <p><i>Related ZPL command(s):</i> ^SZ</p> <hr/> <p><i>SGD command used:</i> none</p> <hr/> <p><i>Control panel menu item:</i> ZPL MODE on page 29</p> <hr/> <p><i>Printer web page:</i> View and Modify Printer Settings > ZPL Control</p>

Sensor Settings

Table 9 • Sensor Settings

Sensor Type	Select the Media Sensor Select the media sensor that is appropriate for the media that you are using.
	<i>Accepted values:</i> <ul style="list-style-type: none"> • WEB • MARK
	<i>Related ZPL command(s):</i> ^JS
	<i>SGD command used:</i> none
	<i>Control panel menu item:</i> SENSOR TYPE on page 21
	<i>Printer web page:</i> View and Modify Printer Settings > Media Setup

Port Settings

Table 10 • Port Settings



Parallel Communications	Set Parallel Communications Select the communications port that matches the one being used by the host computer.
	<i>Accepted values:</i> <ul style="list-style-type: none"> • BIDIRECTIONAL • UNIDIRECTIONAL
	<i>Related ZPL command(s):</i> none
	<i>SGD command used:</i> none
	<i>Control panel menu item:</i> PARRALEL COMM. on page 27
	<i>Printer web page:</i> View and Modify Printer Settings > Serial Communications Setup
Serial Communications	Set Serial Communications Select the communications port that matches the one being used by the host computer.
	<i>Accepted values:</i> <ul style="list-style-type: none"> • RS232 • RS422/485 • RS485 MULTIDROP <div style="display: flex; align-items: flex-start;">  <p>Note • Select RS232 if you are using an external adapter to enable RS422/485 operation.</p> </div>
	<i>Related ZPL command(s):</i> none
	<i>SGD command used:</i> none
	<i>Control panel menu item:</i> SERIAL COMM. on page 27
	<i>Printer web page:</i> View and Modify Printer Settings > Serial Communications Setup > Serial Comm.

Table 10 • Port Settings (Continued)

Baud Rate	Set the Baud Rate Select the baud value that matches the one being used by the host computer.
	<i>Accepted values:</i> <ul style="list-style-type: none"> • 115200 • 57600 • 38400 • 28800 • 19200 • 14400 • 9600 • 4800 • 2400 • 1200 • 600 • 300
	<i>Related ZPL command(s):</i> ^SC
	<i>SGD command used:</i> comm.baud
	<i>Control panel menu item:</i> BAUD on page 27
	<i>Printer web page:</i> View and Modify Printer Settings > Serial Communications Setup > Baud
Data Bits	Set the Data Bits Value Select the data bits value that matches the one being used by the host computer.
	<i>Accepted values:</i> <ul style="list-style-type: none"> • 7 • 8
	<i>Related ZPL command(s):</i> ^SC
	<i>SGD command used:</i> comm.data_bits
	<i>Control panel menu item:</i> DATA BITS on page 27
	<i>Printer web page:</i> View and Modify Printer Settings > Serial Communications Setup > Data Bits
Parity	Set the Parity Value Select the parity value that matches the one being used by the host computer.
	<i>Accepted values:</i> <ul style="list-style-type: none"> • NONE • EVEN • ODD
	<i>Related ZPL command(s):</i> ^SC
	<i>SGD command used:</i> comm.parity
	<i>Control panel menu item:</i> PARITY on page 27
	<i>Printer web page:</i> View and Modify Printer Settings > Serial Communications Setup > Parity

Table 10 • Port Settings (Continued)

Host Handshake	<p>Set the Host Handshake Protocol Value</p> <p>Select the handshake protocol that matches the one being used by the host computer.</p> <hr/> <p><i>Accepted values:</i></p> <ul style="list-style-type: none"> • XON/XOFF • RTS/CTS • DSR/DTR <hr/> <p><i>Related ZPL command(s):</i> ^SC</p> <hr/> <p><i>SGD command used:</i> none</p> <hr/> <p><i>Control panel menu item:</i> HOST HANDSHAKE on page 28</p> <hr/> <p><i>Printer web page:</i> View and Modify Printer Settings > Serial Communications Setup > Host Handshake</p>
Protocol	<p>Protocol is a type of error checking system. Depending on the selection, an indicator may be sent from the print engine to the host computer signifying that data has been received. Select the protocol that is requested by the host computer.</p> <hr/> <p><i>Accepted values:</i></p> <ul style="list-style-type: none"> • NONE • ZEBRA • ACK_NAK <div style="display: flex; align-items: flex-start;">  <p>Note • ZEBRA is the same as ACK_NAK, except that ZEBRA response messages are sequenced. If ZEBRA is selected, the print engine must use DSR/DTR for host handshake protocol.</p> </div> <hr/> <p><i>Related ZPL command(s):</i> ^SC</p> <hr/> <p><i>SGD command used:</i> none</p> <hr/> <p><i>Control panel menu item:</i> PROTOCOL on page 28</p> <hr/> <p><i>Printer web page:</i> View and Modify Printer Settings > Serial Communications Setup > Protocol</p>
Network ID	<p>This parameter assigns a unique number to the print engine when the print engine is operating in an RS422/485 multi-drop network environment (an external RS422/485 adapter is required). This gives the host computer the means to address a specific print engine. This does not affect TCP/IP or IPX networks. Set a unique network ID number for this print engine.</p> <hr/> <p><i>Accepted values:</i> 000 to 999</p> <hr/> <p><i>Related ZPL command(s):</i> ^NI</p> <hr/> <p><i>SGD command used:</i> none</p> <hr/> <p><i>Control panel menu item:</i> NETWORK ID on page 28</p> <hr/> <p><i>Printer web page:</i> View and Modify Printer Settings > Serial Communications Setup > Network ID</p>

Calibrate the Ribbon and Media Sensors

Use the procedure in this section to calibrate the printer, which adjusts the sensitivity of the media and ribbon sensors.

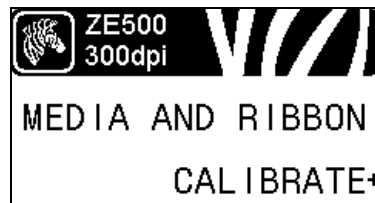
- For issues that may be resolved by sensor calibration, see [Printing Issues on page 116](#).
- For a summary of the options for initiating calibration, see [Media and Ribbon Sensor Calibration on page 85](#).



Important • Follow the calibration procedure exactly as presented. All of the steps must be performed even if only one of the sensors requires adjustment. You may press and hold CANCEL at any step in this procedure to cancel the process.

To perform sensor calibration, complete these steps:

1. With the printer in the Ready state, initiate media and ribbon calibration through the print engine's display:
 - a. Navigate to the following parameter. See [Control Panel Display on page 15](#) for information about using the control panel.



- b. Press **RIGHT SELECT** to select START.

The printer does the following:

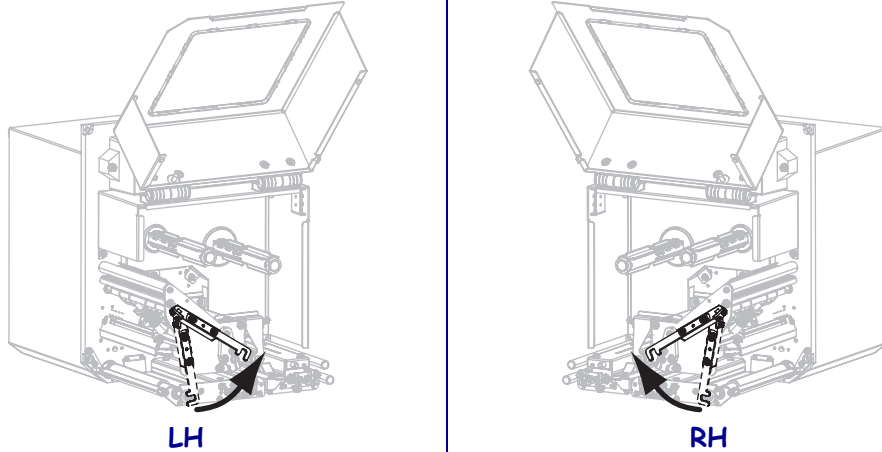
- The **STATUS light** and **SUPPLIES light** flash yellow once.
- The **PAUSE light** blinks yellow.
- The control panel displays:

LOAD BACKING

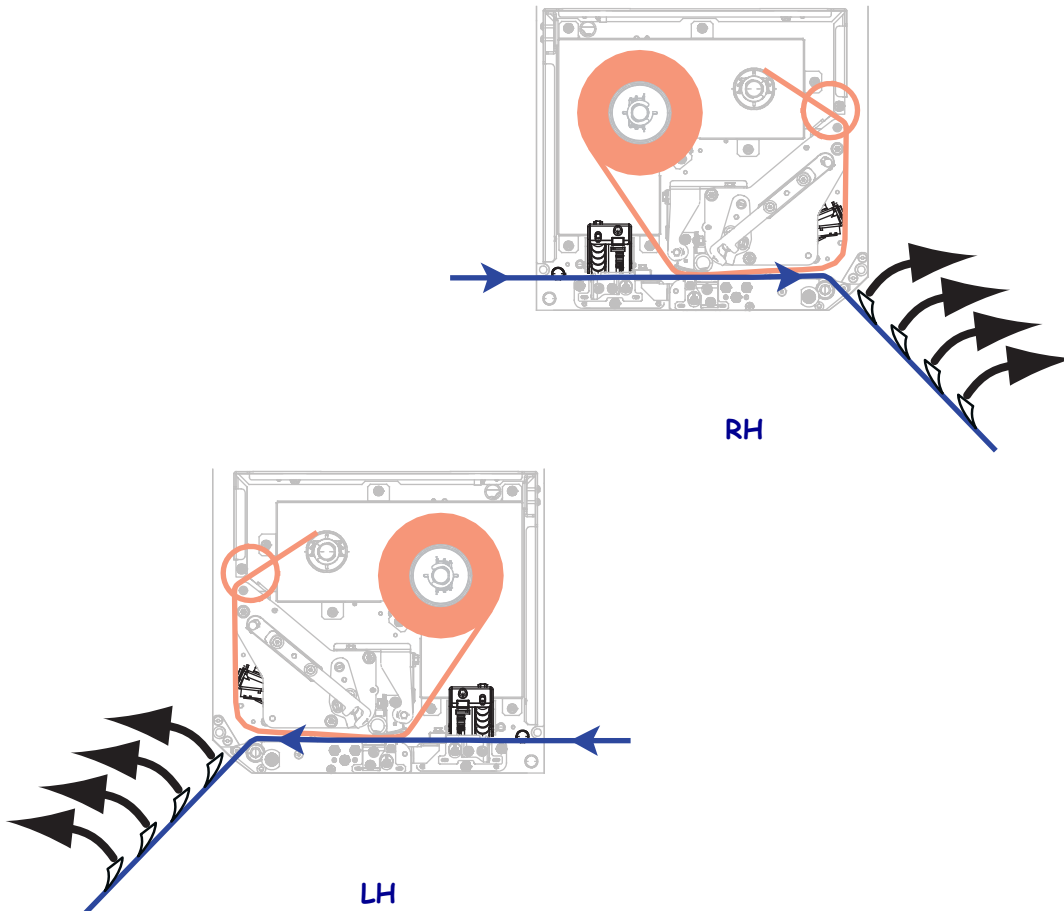


2. **Caution** • The printhead may be hot and could cause severe burns. Allow the printhead to cool.

Rotate the printhead-release latch to the open position.



3. Extend approximately 8 in. (203 mm) of media past the peel bar. Remove and discard the labels from the liner on this exposed media.



4. Pull the media back into the print engine so that only the liner is between the media sensors.

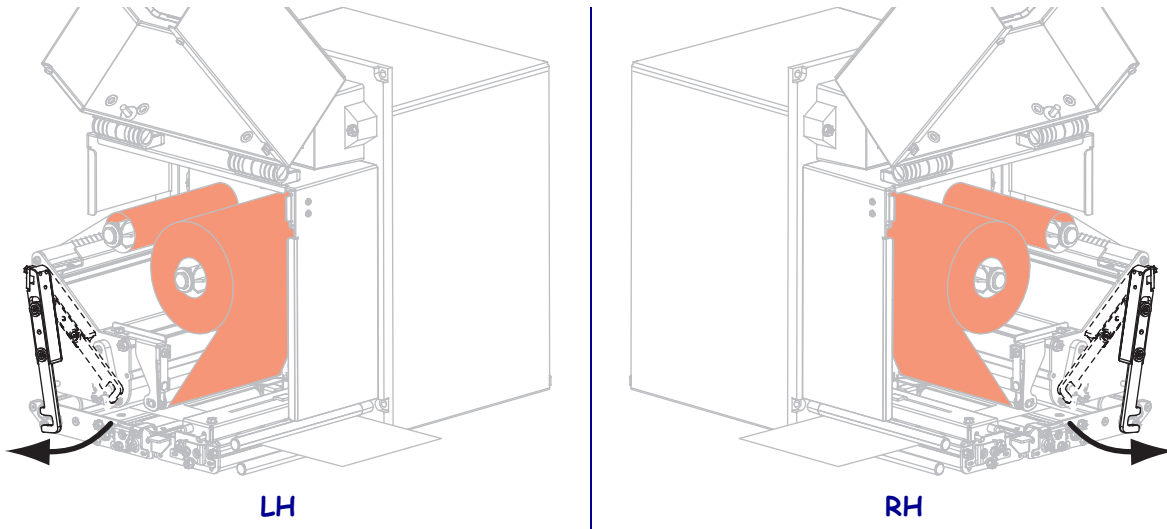
5. Press **PLUS (+)** to continue.

The control panel displays:

REMOVE RIBBON

6. Remove the ribbon (if used).

7. Rotate the printhead-release latch to the closed position, and close the media door.



8. Press **PAUSE** to begin the media calibration process.

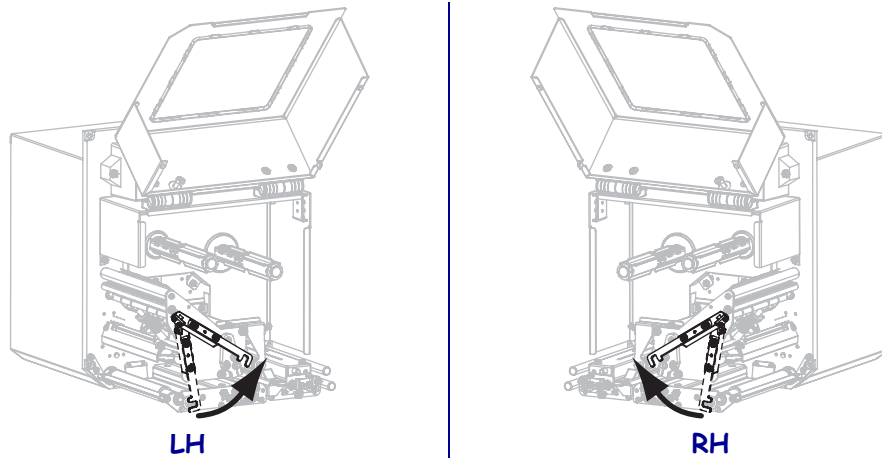
The control panel displays:

**CALIBRATING
PLEASE WAIT**

When the process is complete, the control panel displays:

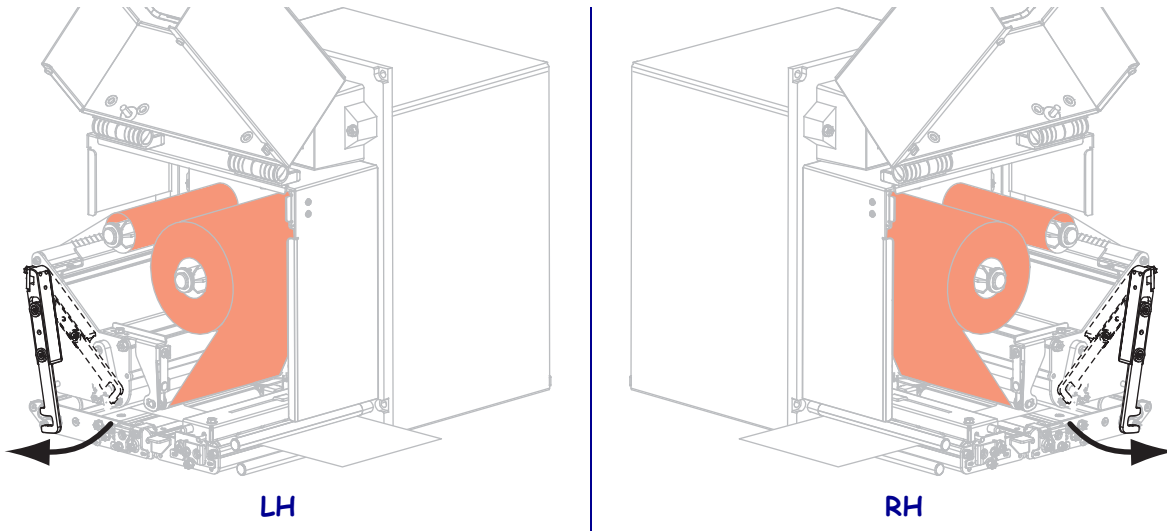
RELOAD ALL

9. Rotate the printhead-release latch to the open position.

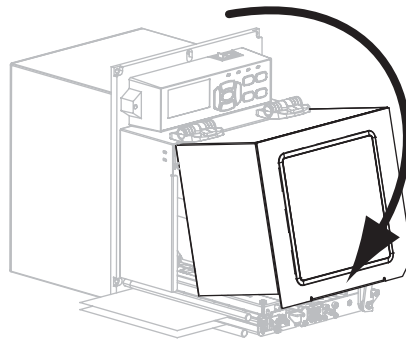


10. Reload the media and ribbon (if used).

11. Rotate the printhead-release latch to the closed position.



12. Close the media door.



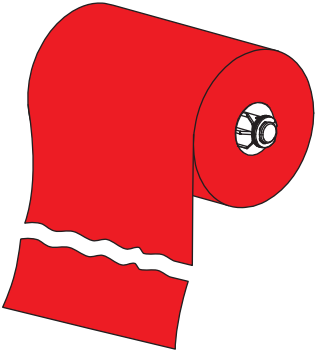
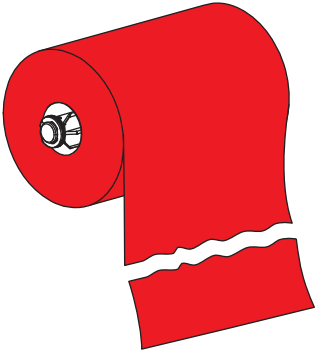
13. Press **PAUSE** to enable printing.

Remove Used Ribbon

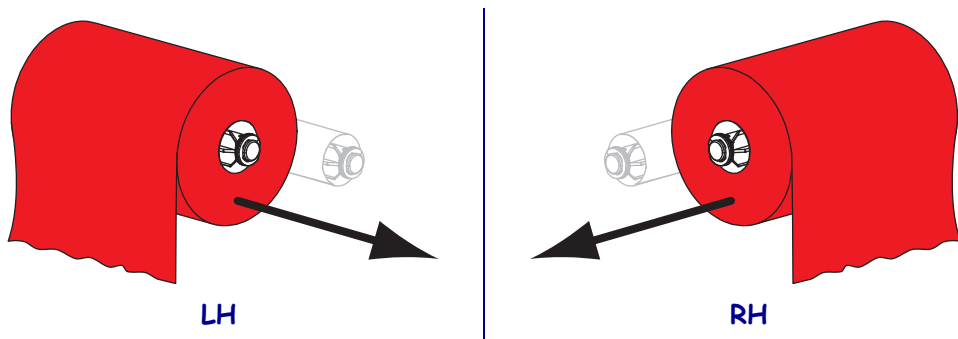
Remove used ribbon from the ribbon take-up spindle each time you change the roll of ribbon.

To remove used ribbon, complete these steps:

- Has the ribbon run out?

If the ribbon...	Then
Ran out	Continue with step 2 .
Did not run out	<ol style="list-style-type: none"> Cut or break the ribbon before the ribbon take-up spindle. <div style="display: flex; justify-content: space-around; align-items: center;"> <div style="text-align: center;">  <p>LH</p> </div> <div style="text-align: center;">  <p>RH</p> </div> </div> <ol style="list-style-type: none"> Continue with step 2.

- Slide the core with the used ribbon off of the ribbon take-up spindle.



- Discard the used ribbon. You may reuse the empty core from the ribbon supply spindle by moving it to the ribbon take-up spindle.

Adjust the Sensors

This section describes how to adjust the sensors.

Transmissive Media Sensor

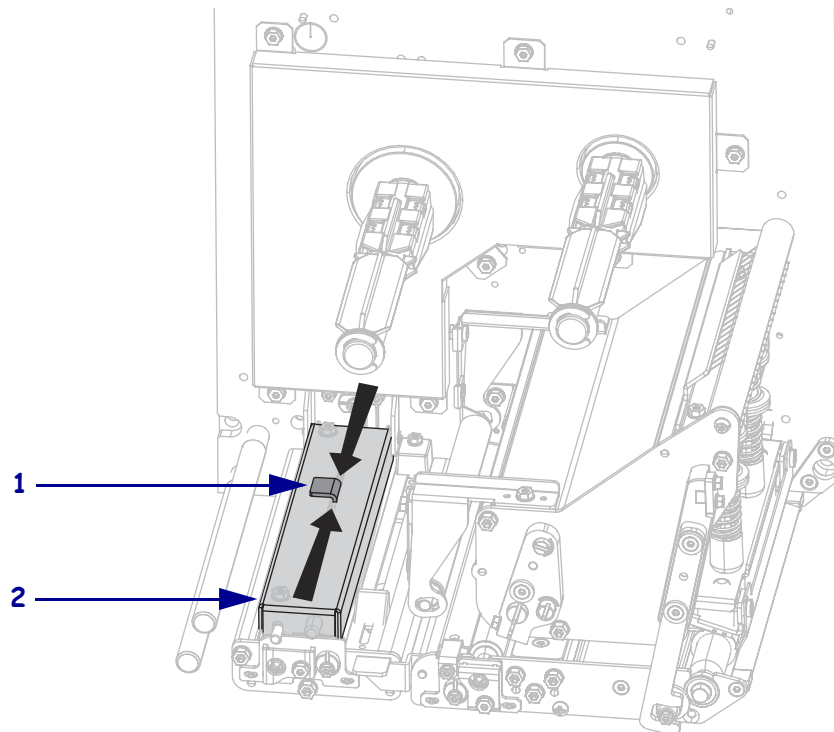
The transmissive media sensor finds “start of label” indicators, such as notches or holes in the media or interlabel gaps. This sensor consists of a light source (positioned below the media) and a light sensor (positioned above the media).

To position the sensor, complete these steps:

1. Refer to [Figure 11](#). Slide the sensor position indicator on the pinch roller assembly to move the media sensor.
2. How does the current media indicate the start of labels?

If the media...	Then...
Has notches or holes between labels	Align the sensor with the notch or hole in the media.
Uses interlabel gaps	Position the sensor approximately at the center of the media width.

Figure 11 • Media Sensor Adjustment (Right-Hand Unit Shown)



1	Sensor position indicator
2	Pinch roller assembly

Reflective Media Sensor

Some types of media have black marks printed on the underside of the media liner, which act as “start of label” indicators. The reflective media sensor senses these black marks. The position of this sensor is not adjustable. If you use this type of media, refer to [Media Specifications on page 144](#) for information about black mark requirements.

Ribbon Sensor

The ribbon sensor is mounted in a fixed position, and no adjustment is required.

Toggle Positioning

Proper toggle positioning is important for proper print quality.



Caution • Observe proper electrostatic safety precautions when handling any static-sensitive components such as circuit boards and printheads.

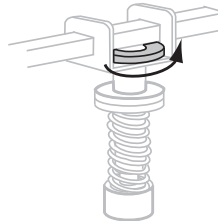
To adjust the toggles, complete these steps:

1. Print some labels at 2 in. (51 mm) per second by running the PAUSE Self Test (see [PAUSE Self Test on page 133](#)).
2. While printing labels, use the control panel to lower the darkness setting until the labels are printing gray instead of black (see [Print Darkness on page 71](#)).

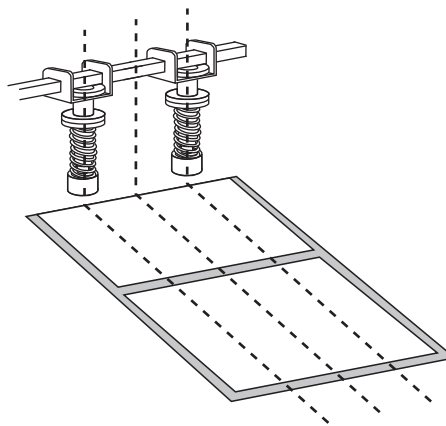


3. **Caution** • The printhead may be hot and could cause severe burns. Allow the printhead to cool.
-

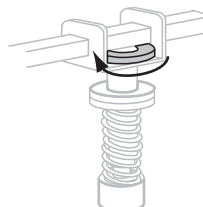
Loosen the locking nut at the top of each toggle assembly.



4. Position the toggles approximately 1/4 of the way in from each edge of the media.



5. Tighten the locking nuts.



6. Print additional labels at 2 in. (51 mm) per second by again running the PAUSE Self Test. (Press and hold PAUSE while turning on (I) the printer.)
7. Do both sides of the label print at the same level of gray?

If...	Then...
Yes	The toggles are positioned correctly. Increase the darkness setting to the optimum level for the media being used.
No	<ol style="list-style-type: none"> a. Readjust the position of the toggle or toggles toward the side that printed lighter. b. Print additional labels at 2 in. (51 mm) per second by again running the PAUSE Self Test. (Press and hold PAUSE while turning on (I) the printer.) c. Repeat this step until both sides of the label print at the same level of gray. d. Increase the darkness setting to the optimum level for the media being used.

Printhead Pressure Adjustment

Before adjusting the printhead pressure, check that the toggles are positioned correctly. See [Toggle Positioning on page 104](#).

Printhead life and drive system life (belts and bearings) can be maximized by using the lowest pressure that produces the desired print quality without allowing the ribbon or media to slip. You may need to adjust the printhead pressure in the following instances:

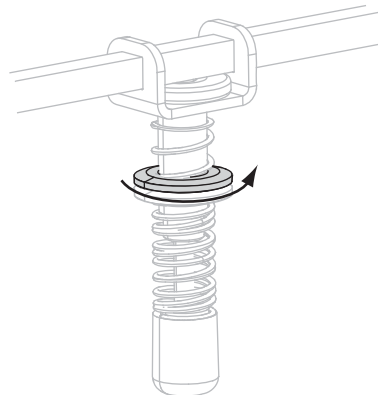
- if there is noticeable bleed or swelling in the printed image (too much pressure)
- if there are voids (too little pressure)
- if the darkness setting (burn duration) is set properly, but printing is too light (too little pressure)
- if the ribbon slips (too little pressure)



Caution • Observe proper electrostatic safety precautions when handling any static-sensitive components such as circuit boards and printheads.

To adjust printhead pressure, complete these steps:

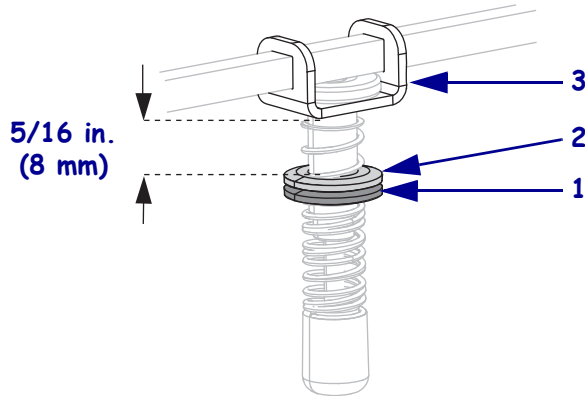
1. As needed throughout this procedure, refer to the [PAUSE Self Test on page 133](#) to print test labels.
2. Refer to [Print Darkness on page 71](#) to set the darkness value (burn duration) appropriately for your media and ribbon.
3. Loosen the locking nut on the toggle assembly.



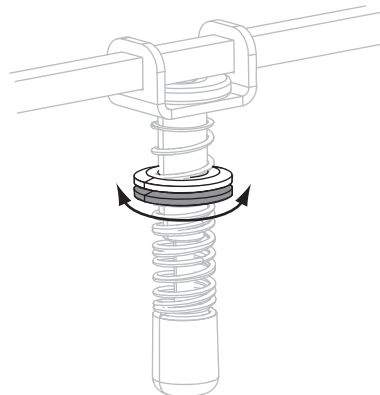


4. **Caution** • The printhead may be hot and could cause severe burns. Allow the printhead to cool.

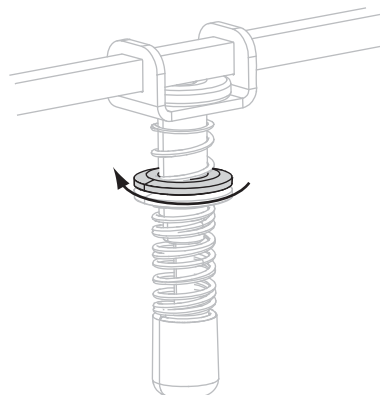
As a starting point for adjustment, set the position of the adjusting nut (1) and the locking nut (2) so that when the locking nut is tightened, it is approximately 5/16 in. (8 mm) from the yoke (3).



5. Move the adjusting nut until the print quality is acceptable. Use the lowest pressure that provides the desired print quality.
- To increase printhead pressure, move the adjusting nut downward.
 - To decrease printhead pressure, move the adjusting nut upward.



6. To lock the toggle pressure, tighten the locking nut against the adjusting nut.





Notes • _____

Routine Maintenance

This section provides routine cleaning and maintenance procedures.

Contents

Cleaning Schedule	110
Clean the Exterior	110
Clean the Media Compartment	111
Clean the Printhead and Rollers	111
Replacing Print Engine Components	113
Ordering Replacement Parts	113
Recycling Print Engine Components	113
Lubrication	113

Cleaning Schedule

Cleaning your print engine regularly maintains print quality and may extend the life of the print engine. The recommended cleaning schedule is shown in [Table 11](#). See the following pages for specific procedures.

Caution • Use only the cleaning agents indicated. Zebra is not responsible for damage caused by any other fluids being used on this print engine.

Table 11 • Recommended Print Engine Cleaning Schedule

Area	Method	Interval
Printhead	Solvent*	Perform these procedures at the following times: <ul style="list-style-type: none"> • When CLEAN HEAD NOW appears. • Direct Thermal Print Mode: After every roll of labels or 500 ft (150 m) of fanfold labels. • Thermal Transfer Print Mode: After every roll (1500 ft or 450 m) of ribbon.
Platen roller	Solvent*	
Pinch roller	Solvent*	
Peel roller	Solvent*	
Transmissive media sensor	Air blow	
Reflective media sensor	Air blow	
Media path	Solvent*	
Ribbon sensor	Air blow	
Door-open sensors	Air blow	Monthly and as needed
Tear-off/peel-off bar	Solvent*	

* Use Preventative Maintenance kit (part number 47362) or a solution of 90% isopropyl alcohol and 10% deionized water.

Clean the Exterior

Clean the outside surfaces of the print engine with a lint-free cloth. Use a mild detergent solution or desktop cleaner sparingly, as needed.

Caution • Do not use harsh or abrasive cleaning agents or solvents.

Clean the Media Compartment

Remove any accumulated dirt and lint from the interior of the print engine using a soft bristle brush and/or vacuum cleaner. This area should be inspected every time a new ribbon is loaded.

Clean the Printhead and Rollers

Clean the printhead, platen roller, pinch roller, and peel roller according to the schedule in [Table 11 on page 110](#). Clean the printhead more often if you see inconsistent print quality, such as voids or light print. Clean the rollers if you see media movement problems.

To clean the printhead and rollers, complete these steps:



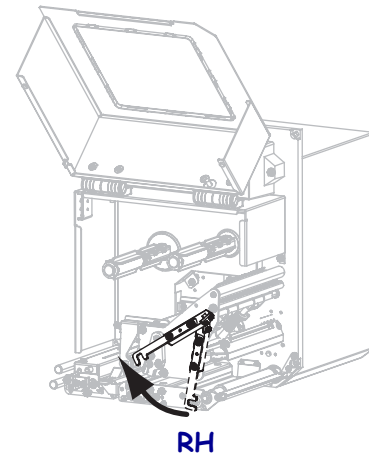
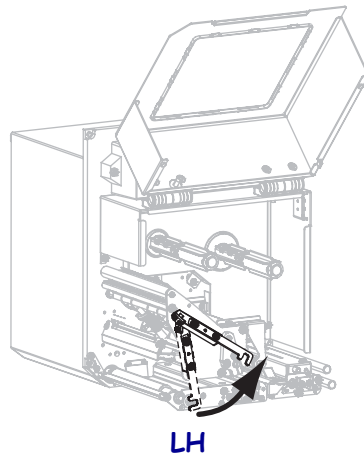
Caution • Observe proper electrostatic safety precautions when handling any static-sensitive components such as circuit boards and printheads.

1. Turn Off (O) the print engine.



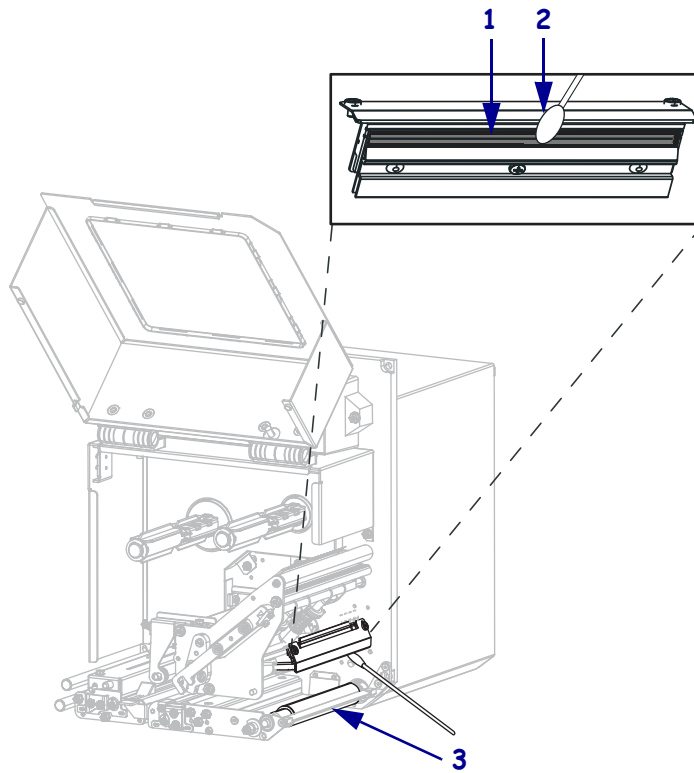
2. **Caution** • The printhead may be hot and could cause severe burns. Allow the printhead to cool.

Rotate the printhead-release latch to the open position.



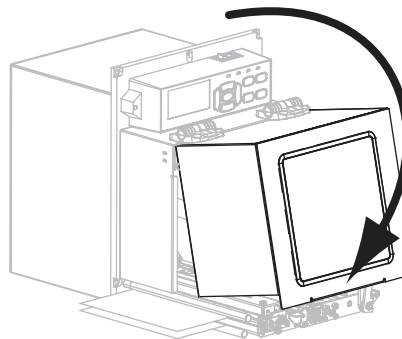
3. Remove the media and ribbon from the print engine.

- Using Preventative Maintenance kit (part number 47362) or a solution of 90% isopropyl alcohol and 10% deionized water on a cotton swab, wipe the print elements from end to end. Allow the solvent to evaporate.



1	Printhead elements (gray strip)
2	Cotton swab
3	Platen Roller

- Use a lint-free cloth moistened with alcohol to clean the platen roller, pinch roller, and peel roller. Rotate the rollers while cleaning.
- Reload the ribbon and media (if used).
- Close the media door.



Note • If print quality does not improve after you perform this procedure, clean the printhead with *Save-a-Printhead* cleaning film. Call your authorized Zebra distributor for more information.

Replacing Print Engine Components

Some print engine components, such as the printhead and platen roller, may wear out over time and can be replaced easily. Regular cleaning may extend the life of some of these components. See *Cleaning Schedule* on page 110 for the recommended cleaning intervals.

Ordering Replacement Parts

For optimal printing quality and proper printer performance across our product line, Zebra strongly recommends the use of genuine Zebra™ supplies as part of the total solution. Specifically, the ZE500 print engines are designed to work only with genuine Zebra™ printheads, thus maximizing safety and print quality.

Contact your authorized Zebra reseller for part ordering information, or see *Contacts* on page 27 for contact addresses and telephone numbers.

Recycling Print Engine Components



The majority of this print engine's components are recyclable. The print engine's main logic board may include a battery that you should dispose of properly.

Do not dispose of any print engine components in unsorted municipal waste. Please dispose of the battery according to your local regulations, and recycle the other print engine components according to your local standards. For more information, see <http://www.zebra.com/environment>.

Lubrication

No lubrication is needed for this print engine.

Caution • Some commercially available lubricants will damage the finish and the mechanical parts if used on this print engine.



Notes • _____

Troubleshooting

This section provides information about errors that you might need to troubleshoot. Assorted diagnostic tests are included.

Contents

Printing Issues	116
Ribbon Problems	119
Error Messages	123
Communications Problems	128
Miscellaneous Issues	129
Print Engine Diagnostics	131
Power-On Self Test	131
CANCEL Self Test	132
PAUSE Self Test	133
FEED Self Test.	134
FEED + PAUSE Self Test.	137
CANCEL + PAUSE Self Test	137
Communication Diagnostics Test.	138
Sensor Profile	139

Printing Issues

Table 12 identifies possible issues with printing or print quality, the possible causes, and the recommended solutions.

Table 12 • Printing Issues

Issue	Possible Cause	Recommended Solution
General print quality issues	The print engine is set at an incorrect print speed.	For optimal print quality, set the print speed to the lowest possible setting for your application via control panel, the driver, or the software. You may want to perform the <i>FEED Self Test</i> on page 134 to determine the optimal settings for your print engine. See <i>Print Speed</i> on page 71 for how to change the print speed.
	You are using an incorrect combination of labels and ribbon for your application.	<ol style="list-style-type: none"> 1. Switch to a different type of media or ribbon to try to find a compatible combination. 2. If necessary, consult your authorized Zebra reseller or distributor for information and advice.
	The print engine is set at an incorrect darkness level.	For optimal print quality, set the darkness to the lowest possible setting for your application. You may want to perform the <i>FEED Self Test</i> on page 134 to determine the ideal darkness setting. See <i>Print Darkness</i> on page 71 for how to change the darkness setting.
	The printhead is dirty.	Clean the printhead. See <i>Clean the Printhead and Rollers</i> on page 111.
	Incorrect or uneven printhead pressure.	<ol style="list-style-type: none"> 1. Position the printhead toggles correctly. See <i>Toggle Positioning</i> on page 104. 2. Set the printhead pressure to the minimum needed for good print quality. See <i>Printhead Pressure Adjustment</i> on page 106.
Loss of printing registration on labels. Excessive vertical drift in top-of-form registration.	The platen roller, pinch roller, or peel roller is dirty.	Clean the printhead and rollers. See <i>Clean the Printhead and Rollers</i> on page 111.
	Media guides are positioned improperly.	Ensure that the media guides are properly positioned. See <i>Load Ribbon and Media</i> on page 60.
	The media type is set incorrectly.	Set the print engine for the correct media type (gap/notch, continuous, or mark). See <i>Media Type</i> on page 74.
	The media is loaded incorrectly.	Load media correctly. See <i>Load Ribbon and Media</i> on page 60.

Table 12 • Printing Issues (Continued)

Issue	Possible Cause	Recommended Solution
Long tracks of missing print on several labels	Print element damaged.	Call a service technician.
	Wrinkled ribbon.	See wrinkled ribbon causes and solutions in Ribbon Problems on page 119 .
Fine, angular gray lines on blank labels	Wrinkled ribbon.	See wrinkled ribbon causes and solutions in Ribbon Problems on page 119 .
Printing too light or too dark over the entire label	The media or ribbon is not designed for high-speed operation.	Replace supplies with those recommended for high-speed operation.
	You are using an incorrect combination of media and ribbon for your application.	<ol style="list-style-type: none"> 1. Switch to a different type of media or ribbon to try to find a compatible combination. 2. If necessary, consult your authorized Zebra reseller or distributor for information and advice.
	You are using ribbon with direct thermal media.	Direct thermal media does not require ribbon. To determine if you are using direct thermal media, perform the label scratch test in When to Use Ribbon on page 39 .
	Incorrect or uneven printhead pressure.	<ol style="list-style-type: none"> 1. Position the printhead toggles correctly. See Toggle Positioning on page 104. 2. Set the printhead pressure to the minimum needed for good print quality. See Printhead Pressure Adjustment on page 106.
Smudge marks on labels	The media or ribbon is not designed for high-speed operation.	Replace supplies with those recommended for high-speed operation.
Misregistration/skips labels	The print engine is not calibrated.	Calibrate the print engine. See Calibrate the Ribbon and Media Sensors on page 97 .
	Improper label format.	Check your label format and correct it as necessary.
Misregistration and misprint of one to three labels	The platen roller, pinch roller, or peel roller is dirty.	Clean the printhead and rollers. See Clean the Printhead and Rollers on page 111 .
	Media does not meet specifications.	Use media that meets specifications. See Media Specifications on page 144 .
Vertical drift in top-of-form position	The print engine is out of calibration.	Calibrate the print engine. See Calibrate the Ribbon and Media Sensors on page 97 .
	The platen roller, pinch roller, or peel roller is dirty.	Clean the printhead and rollers. See Clean the Printhead and Rollers on page 111 .

Table 12 • Printing Issues (Continued)

Issue	Possible Cause	Recommended Solution
Vertical image or label drift	The print engine is using non-continuous labels but is configured in continuous mode.	Set the print engine for the correct media type (gap/notch, continuous, or mark—see Media Type on page 74) and calibrate the printer, if necessary (see Calibrate the Ribbon and Media Sensors on page 97).
	The media sensor is calibrated improperly.	Calibrate the print engine. See Calibrate the Ribbon and Media Sensors on page 97 .
	The platen roller, pinch roller, or peel roller is dirty.	Clean the printhead and rollers. See Clean the Printhead and Rollers on page 111 .
	Incorrect or uneven printhead pressure.	<ol style="list-style-type: none"> 1. Position the printhead toggles correctly. See Toggle Positioning on page 104. 2. Set the printhead pressure to the minimum needed for good print quality. See Printhead Pressure Adjustment on page 106.
	The media or ribbon is loaded incorrectly.	Ensure that the media and ribbon are loaded correctly. See Load Ribbon and Media on page 60 .
	Incompatible media.	You must use media that meets the printer specifications. Ensure that the interlabel gaps or notches are 2 to 4 mm and consistently placed (see Media Specifications on page 144).
The bar code printed on a label does not scan.	The bar code is not within specifications because the print is too light or too dark.	Perform the FEED Self Test on page 134 . Adjust the darkness or print speed settings as necessary.
	There is not enough blank space around the bar code.	Leave at least 1/8 in. (3.2 mm) between the bar code and other printed areas on the label and between the bar code and the edge of the label.
Auto Calibrate failed.	The media or ribbon is loaded incorrectly.	Ensure that the media and ribbon are loaded correctly. See Load Ribbon and Media on page 60 .
	The sensors could not detect the media or ribbon.	Calibrate the print engine. See Calibrate the Ribbon and Media Sensors on page 97 .
	The sensors are dirty or positioned improperly.	Ensure that the sensors are clean and properly positioned.
	The media type is set incorrectly.	Set the print engine for the correct media type (gap/notch, continuous, or mark). See Media Type on page 74 .

Ribbon Problems

Table 13 identifies problems that may occur with ribbon, the possible causes, and the recommended solutions.

Table 13 • Ribbon Problems

Problem	Possible Cause	Recommended Solution
Broken or melted ribbon	Darkness setting too high.	<ol style="list-style-type: none"> 1. Reduce the darkness setting. See <i>Print Darkness on page 71</i> for how to change the darkness setting. 2. Clean the printhead thoroughly. See <i>Clean the Printhead and Rollers on page 111</i>.
	The ribbon is coated on the wrong side and cannot be used in this print engine.	Replace the ribbon with one coated on the correct side. For more information, see <i>Coated Side of Ribbon on page 39</i> .
Ribbon slips or does not advance correctly	Ribbon tension is set incorrectly.	Change the ribbon tension setting. See <i>Ribbon Tension on page 77</i> .
Wrinkled ribbon	Ribbon was loaded incorrectly.	Load the ribbon correctly. See <i>Load Ribbon and Media on page 60</i> .
	Incorrect burn temperature.	For optimal print quality, set the darkness to the lowest possible setting for your application. You may want to perform the <i>FEED Self Test on page 134</i> to determine the ideal darkness setting. See <i>Print Darkness on page 71</i> for how to change the darkness setting.
	Incorrect or uneven printhead pressure.	Set the printhead pressure to the minimum needed for good print quality. See <i>Printhead Pressure Adjustment on page 106</i> .
	Media not feeding properly; “walking” from side to side.	Make sure that media is snug by adjusting the media guide, or call a service technician.
	The printhead or platen roller may be installed incorrectly.	Call a service technician.
The printer does not detect when the ribbon runs out.	The printer may have been calibrated without ribbon. Later, ribbon was inserted without the user recalibrating the printer or loading printer defaults.	Calibrate the printer, this time using ribbon, or load printer defaults. See <i>Calibrate the Ribbon and Media Sensors on page 97</i> or <i>Load Defaults on page 84</i> .
In thermal transfer mode, the printer did not detect the ribbon even though it is loaded correctly.		
The printer indicates that ribbon is out, even though ribbon is loaded correctly.	The print engine was not calibrated for the label and ribbon being used.	Calibrate the print engine. See <i>Calibrate the Ribbon and Media Sensors on page 97</i> .

RFID Problems

Table 14 identifies problems that may occur with RFID print engines, the possible causes, and the recommended solutions. For more information about RFID, refer to the *RFID Programming Guide 2*. A copy of the manual is available at <http://www.zebra.com/manuals> or on the user CD that came with your print engine.

Table 14 • RFID Problems

Problem	Possible Cause	Recommended Solution
The RFID-enabled print engine voids every label.	The print engine is not calibrated for the media being used.	Manually calibrate the print engine (see <i>Media and Ribbon Sensor Calibration on page 85</i>).
	You are using an RFID label with a tag type that is not supported by your print engine.	The ZE500R printer supports only Gen 2 RFID labels. For more information, refer to the <i>RFID Programming Guide 2</i> , or contact an authorized Zebra RFID reseller.
	The print engine is unable to communicate with the RFID reader.	<ol style="list-style-type: none"> 1. Turn off (O) the print engine. 2. Wait 10 seconds. 3. Turn on (I) the print engine. 4. If the problem persists, you may have a bad RFID reader or a loose connection between the RFID reader and the print engine. Contact Technical Support or an authorized Zebra RFID service technician for assistance.
	Radio frequency (RF) interference from another RF source.	Do one or more of the following as necessary: <ul style="list-style-type: none"> • Move the print engine away from fixed RFID readers or other RF sources. • Make sure that the media door is closed at all times during RFID programming.
	The settings are incorrect in your label designer software.	The software settings override the print engine settings. Make sure that the software and print engine settings match.
	You are using an incorrect programming position, particularly if the tags being used are within print engine specifications.	Do one or more of the following as necessary: <ul style="list-style-type: none"> • Check the RFID programming position, or the program position setting in your label designer software. If the position is incorrect, change the setting. • Restore the RFID programming position back to the default value. For more information, refer to the <i>RFID Programming Guide 2</i> . For transponder placement details, go to http://www.zebra.com/transponders .
	You are sending RFID ZPL or SGD commands that are incorrect.	Check your label formats. For more information, refer to the <i>RFID Programming Guide 2</i> .

Table 14 • RFID Problems (Continued)

Problem	Possible Cause	Recommended Solution
Low yields. Too many RFID tags per roll are voided.	The RFID labels are not within specifications for the print engine, which means that the transponder is not in an area that can be programmed consistently.	Make sure that the labels meet transponder placement specifications for your printer. See http://www.zebra.com/transponders for transponder placement information. For more information, refer to the <i>RFID Programming Guide 2</i> , or contact an authorized Zebra RFID reseller.
	Incorrect read and write power levels for the RFID tag type.	Change the RFID read and write power levels. For instructions, refer to the <i>RFID Programming Guide 2</i> .
	Radio frequency (RF) interference from another RF source.	Do one or more of the following as necessary: <ul style="list-style-type: none"> • Move the print engine away from fixed RFID readers. • Make sure that the media door is closed at all times during RFID programming.
	The print engine is using outdated print engine firmware and reader firmware versions.	Go to http://www.zebra.com/firmware for updated firmware.
The print engine stops at the RFID inlay.	The print engine calibrated the label length only to the RFID inlay instead of to the interlabel gap.	<ol style="list-style-type: none"> 1. Select FEED for the MEDIA POWER UP and HEAD CLOSE parameters (see <i>Power-Up Action on page 83</i> or <i>Head-Close Action on page 83</i>). 2. Manually calibrate the print engine (see <i>Media and Ribbon Sensor Calibration on page 85</i>).
The DATA light flashes indefinitely after you attempt to download print engine or reader firmware.	The download was not successful. For best results, cycle power on the print engine before downloading any firmware.	<ol style="list-style-type: none"> 1. Turn off (O) the print engine. 2. Wait 10 seconds. 3. Turn on (I) the print engine. 4. Attempt to download the firmware again. 5. If the problem persists, contact Technical Support.

Table 14 • RFID Problems (Continued)

Problem	Possible Cause	Recommended Solution
<p>RFID parameters do not appear in Setup mode, and RFID information does not appear on the print engine configuration label.</p> <p>The printer does not void RFID labels that are not programmed correctly.</p>	<p>The print engine was powered off (O) and then back on (I) too quickly for the RFID reader to initialize properly.</p>	<p>Wait at least 10 seconds after turning the print engine power off before turning it back on.</p> <ol style="list-style-type: none"> 1. Turn off (O) the print engine. 2. Wait 10 seconds. 3. Turn on (I) the print engine. 4. Check for the RFID parameters in Setup mode or for RFID information on a new configuration label.
	<p>An incorrect version of print engine or reader firmware was loaded on the printer.</p>	<ol style="list-style-type: none"> 1. Verify that the correct firmware version is loaded on your printer. For more information, refer to the <i>RFID Programming Guide 2</i>. 2. Download the correct printer or reader firmware if necessary. 3. If the problem persists, contact Technical Support.
	<p>The print engine is unable to communicate with the RFID subsystem.</p>	<ol style="list-style-type: none"> 1. Turn off (O) the print engine. 2. Wait 10 seconds. 3. Turn on (I) the print engine. 4. If the problem persists, you may have a bad RFID reader or a loose connection between the RFID reader and the print engine. Contact Technical Support or an authorized service technician for assistance.

Error Messages

The control panel displays messages when there is an error. See [Table 15](#) for LCD errors, the possible causes, and the recommended solutions.

Table 15 • Error Messages




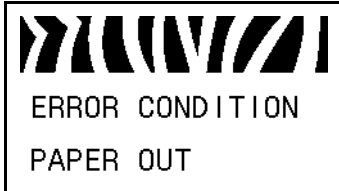
Display/ Print Engine Condition	Possible Cause	Recommended Solution
 <p>ERROR CONDITION INVALID HEAD</p> <p>The ERROR light flashes.</p>	<p>The printhead was replaced with one that is not a genuine Zebra™ printhead.</p>	<p>Install a genuine Zebra™ printhead.</p>
 <p>WARNING CLEAN PRINTHEAD</p>	<p>The Early Warning for Maintenance feature is enabled, and the printhead has reached the end of the specified interval for cleaning. See Early Warning for Maintenance on page 80 for more information.</p>	<ol style="list-style-type: none"> 1. Clean the printhead. 2. On the control panel, go to the HEAD CLEANED? menu item. 3. Press PLUS to select YES to reset the Early Warning for Maintenance printhead cleaning counter.
 <p>ERROR CONDITION HEAD OPEN</p> <p>The print engine stops; the ERROR light flashes.</p>	<p>The printhead is not fully closed.</p>	<p>Close printhead completely.</p>
	<p>The head open sensor is not working properly.</p>	<p>Call a service technician.</p>
 <p>ERROR CONDITION PAPER OUT</p> <p>The print engine stops; the MEDIA light is on; the ERROR light flashes.</p>	<p>The media is not loaded or is loaded incorrectly.</p>	<p>Load media correctly. See Load Ribbon and Media on page 60.</p>
	<p>Misaligned media sensor.</p>	<p>Check position of the media sensor.</p>
	<p>The print engine is set for noncontinuous media, but continuous media is loaded.</p>	<p>Install proper media type, or reset print engine for current media type and perform calibration.</p>

Table 15 • Error Messages (Continued)

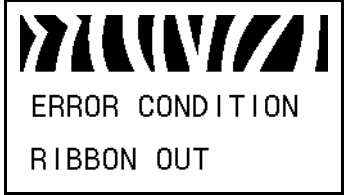
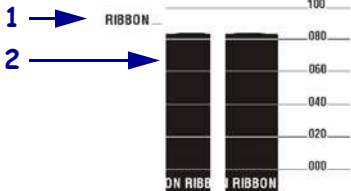
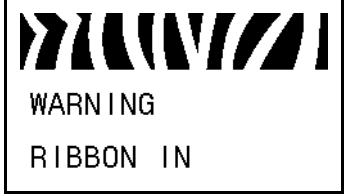
Display/ Print Engine Condition	Possible Cause	Recommended Solution
 <p>The print engine stops; the RIBBON light is on; the ERROR light flashes.</p>	<p>In thermal transfer mode, ribbon is not loaded or incorrectly loaded.</p> <p>In thermal transfer mode, the ribbon sensor is not detecting ribbon.</p> <p>In thermal transfer mode, media is blocking the ribbon sensor.</p> <p>In thermal transfer mode, the print engine did not detect the ribbon even though it is loaded correctly.</p> <p>If you are using direct thermal media, the print engine is waiting for ribbon to be loaded because it is incorrectly set for Thermal Transfer mode.</p>	<p>Load ribbon correctly. See Load Ribbon and Media on page 60.</p> <ol style="list-style-type: none"> 1. Load ribbon correctly. See Load Ribbon and Media on page 60. 2. Calibrate the print engine. See Calibrate the Ribbon and Media Sensors on page 97. <ol style="list-style-type: none"> 1. Load media correctly. See Load Ribbon and Media on page 60. 2. Calibrate the print engine. See Calibrate the Ribbon and Media Sensors on page 97. <ol style="list-style-type: none"> 1. Print a sensor profile. See Print a Sensor Profile on page 82. The ribbon out threshold (1) is likely too high, above the black area that indicates where the ribbon is detected (2).  <ol style="list-style-type: none"> 2. Calibrate the print engine (see Calibrate the Ribbon and Media Sensors on page 97) or load print engine defaults (see options under Exit Setup Mode on page 17).
 <p>The RIBBON light is on; the ERROR light flashes.</p>	<p>Ribbon is loaded, but the print engine is set for direct thermal mode.</p>	<p>Ribbon is not required with direct thermal media. If you are using direct thermal media, remove the ribbon. This error message will not affect printing.</p> <p>If you are using thermal transfer media, which requires ribbon, set the print engine for Thermal Transfer mode. See Print Method on page 74.</p>

Table 15 • Error Messages (Continued)






Display/ Print Engine Condition	Possible Cause	Recommended Solution
 THERMISTOR FAULT The ERROR light flashes.	The printhead has a faulty thermistor.	Call a service technician.
 WARNING HEAD COLD The print engine prints while the ERROR light flashes.	 Caution • An improperly connected printhead data or power cable can cause this error message. The printhead may be hot enough to cause severe burns. Allow the printhead to cool.	
	The printhead temperature is approaching its lower operating limit.	Continue printing while the printhead reaches the correct operating temperature. If the error remains, the environment may be too cold for proper printing. Relocate the print engine to a warmer area.
	The printhead data cable is not properly connected.	Caution • Turn off (O) the print engine before performing this procedure. Failure to do so can damage the printhead. <ol style="list-style-type: none"> 1. Turn off (O) the print engine. 2. Disconnect and reconnect the data cable to the printhead. 3. Ensure that the cable connector is fully inserted into the printhead connector. 4. Turn on (I) the print engine.
	The printhead has a faulty thermistor.	Call a service technician.
 WARNING HEAD TOO HOT The print engine stops; the ERROR light flashes.	 Caution • The printhead may be hot enough to cause severe burns. Allow the printhead to cool.	
	The printhead is over temperature.	Allow the print engine to cool. Printing automatically resumes when the printhead elements cool to an acceptable operating temperature.

Table 15 • Error Messages (Continued)






Display/ Print Engine Condition	Possible Cause	Recommended Solution
 WARNING HEAD COLD	 Caution • An improperly connected printhead data or power cable can cause these error messages. The printhead may be hot enough to cause severe burns. Allow the printhead to cool.	
 THERMISTOR FAULT	The printhead data cable is not properly connected.	Caution • Turn off (O) the print engine before performing this procedure. Failure to do so can damage the printhead. <ol style="list-style-type: none"> 1. Turn off (O) the print engine. 2. Disconnect and reconnect the data cable to the printhead. 3. Ensure that the cable connector is fully inserted into the printhead connector. 4. Turn on (I) the print engine.
 ERROR CONDITION HEAD ELEMENT BAD	The printhead has a faulty thermistor.	Call a service technician.
<p>The print engine stops; the ERROR light is on; the print engine cycles through these three messages.</p>	The print engine is defragmenting memory.	Caution • Do NOT turn off the print engine power during defragmenting. Doing so can damage the print engine. <p>Allow the print engine to finish defragmenting. If you get this error message frequently, check your label formats. Formats that write to and erase memory frequently may cause the printer to defragment often. Using properly coded label formats usually minimizes the need for defragmenting.</p> <p>If this error message does not go away, contact Technical Support. The print engine requires service.</p>
 DEFRAGMENTING DO NOT POWER OFF	<p>The print engine stops.</p>	

Table 15 • Error Messages (Continued)

Display/ Print Engine Condition	Possible Cause	Recommended Solution
 OUT OF MEMORY CREATING BITMAP	<p>There is not enough memory to perform the function specified on the second line of the error message.</p>	<p>Free up some of the print engine's memory by adjusting the label format or print engine parameters. One way to free up memory is to adjust the print width to the actual width of the label instead of leaving the print width set to the default. See Print Width on page 75.</p>
 OUT OF MEMORY BUILDING FORMAT		<p>Ensure that the device, such as a FLASH memory card, is installed and not write protected or full.</p>
 OUT OF MEMORY STORING GRAPHIC		<p>Ensure that the data is not directed to a device that is not installed or is unavailable.</p>
 OUT OF MEMORY STORING FORMAT		<p>Call a service technician.</p>
 OUT OF MEMORY STORING BITMAP		
 OUT OF MEMORY STORING FONT		

Communications Problems

Table 16 identifies problems with communications, the possible causes, and the recommended solutions.

Table 16 • Communications Problems

Problem	Possible Cause	Recommended Solution
A label format was sent to the print engine but was not recognized. The DATA light does not flash.	The communication parameters are incorrect.	Check the print engine driver or software communications settings (if applicable).
		If you are using serial communication, check the serial port settings. See Port Settings on page 94 .
		If you are using serial communication, make sure that you are using a null modem cable or a null modem adapter.
		Check the printer's handshake protocol setting. The setting used must match the one being used by the host computer. See Set the Host Handshake Protocol Value on page 96 .
		If a driver is used, check the driver communication settings for your connection.
A label format was sent to the print engine. Several labels print, then the print engine skips, misplaces, misses, or distorts the image on the label.	The serial communication settings are incorrect.	Ensure that the flow control settings match.
		Check the communication cable length. See Table 3 on page 54 for requirements.
		Check the print engine driver or software communications settings (if applicable).
A label format was sent to the print engine but was not recognized. The DATA light flashes but no printing occurs.	The prefix and delimiter characters set in the print engine do not match the ones in the label format.	Verify the prefix and delimiter characters. See Set the Control Prefix Character Value on page 91 and Set the Delimiter Character Value on page 92 .
	Incorrect data is being sent to the print engine.	Check the communication settings on the computer. Ensure that they match the print engine settings.
		If the problem continues, check the label format.

Miscellaneous Issues

Table 17 identifies miscellaneous issues with the print engine, the possible causes, and the recommended solutions.

Table 17 • Miscellaneous Print Engine Problems

Problem	Possible Cause	Recommended Solution
The control panel display shows a language that I cannot read	The language parameter was changed through the control panel or a firmware command.	<ol style="list-style-type: none"> 1. On the control panel display, press SETUP. 2. Press LEFT ARROW once to move to the LANGUAGE parameter. 3. Use PLUS (+) or MINUS (-) to scroll through the language selections. The selections for this parameter are displayed in the actual languages to make it easier for you to find one that you are able to read. 4. Select the language that you want to display.
The display is missing characters or parts of characters	The display may need replacing.	Call a service technician.
Changes in parameter settings did not take effect	Some parameters are set incorrectly.	<ol style="list-style-type: none"> 1. Check the parameters and change or reset if necessary. 2. Turn the print engine off (O) and then on (I).
	A firmware command (such as <code>device.command_override</code>) turned off the ability to change the parameter.	Refer to the <i>Programming Guide for ZPL, ZBI, Set-Get-Do, Mirror, and WML</i> or call a service technician.
	A firmware command changed the parameter back to the previous setting.	
	If the problem persists, there may be a problem with the main logic board.	Call a service technician.
Non-continuous labels are being treated as continuous labels.	The print engine was not calibrated for the media being used.	Calibrate the printer. See Calibrate the Ribbon and Media Sensors on page 97 .
	The print engine is configured for continuous media.	Set the print engine for the correct media type (gap/notch, continuous, or mark). See Media Type on page 74 .

Table 17 • Miscellaneous Print Engine Problems (Continued)

Problem	Possible Cause	Recommended Solution
All indicator lights are on, nothing is on the display (if the printer has a display), and the print engine locks up.	Internal electronic or firmware failure.	Call a service technician.
The print engine locks up while running the Power-On Self Test.	Main logic board failure.	Call a service technician.

Print Engine Diagnostics

Self tests and other diagnostics provide specific information about the condition of the print engine. The self tests produce sample printouts and provide specific information that helps determine the operating conditions for the print engine.



Important • Use full-width media when performing self tests. If your media is not wide enough, the test labels may print on the platen roller. To prevent this from happening, check the print width, and ensure that the width is correct for the media that you are using.

Each self test is enabled by pressing a specific control panel key or combination of keys while turning on (I) the print engine power. Keep the key(s) pressed until the first indicator light turns off. The selected self test automatically starts at the end of the Power-On Self Test.



Note •

- When performing these self tests, do not send data to the print engine from the host.
- If your media is shorter than the label to be printed, the test label continues on the next label.
- When canceling a self test prior to its actual completion, always reset the print engine by turning it off (O) and then on (I).

Power-On Self Test

A Power-On Self Test (POST) is performed each time the print engine is turned on (I). During this test, the control panel lights (LEDs) turn on and off to ensure proper operation. At the end of this self test, only the STATUS LED remains lit. When the Power-On Self Test is complete, the media is advanced to the proper position.

To initiate the Power-On Self Test, complete these steps:

1. Turn on (I) the print engine.

The POWER LED illuminates. The other control panel LEDs and the LCD monitor the progress and indicate the results of the individual tests. All messages during the POST display in English; however, if the test fails, the resulting messages cycle through the international languages as well.

CANCEL Self Test

The CANCEL self test prints a printer configuration label and a network configuration label. For other ways to print these labels, see [Print Information on page 82](#).

To perform the CANCEL Self Test, complete these steps:

1. Turn off (O) the print engine.
2. Press and hold CANCEL while turning on (I) the print engine. Hold CANCEL until the first control panel light turns off.

The printer prints a printer configuration label (Figure 12) and then a network configuration label (Figure 13).

Figure 12 • Sample Printer Configuration Label

PRINTER CONFIGURATION	
Zebra Technologies ZTC ZE500-4 LA-300dpi ZPL ZBR4313234	
+0.0.....	DARKNESS
12 IPS.....	PRINT SPEED
12 IPS.....	SLEW SPEED
12 IPS.....	BACKFEED SPEED
+000.....	TEAR OFF
TEAR OFF.....	PRINT MODE
OFF.....	APPLICATOR PORT
PULSE MODE.....	START PRINT SIG
NON-CONTINUOUS.....	MEDIA TYPE
WEB.....	SENSOR TYPE
DIRECT-THERMAL.....	PRINT METHOD
1228.....	PRINT WIDTH
1869.....	LABEL LENGTH
59.01N 988PM.....	MAXIMUM LENGTH
MEDIA DISABLED.....	EARLY WARNING
MAINT. OFF.....	EARLY WARNING
NOT CONNECTED.....	USB COMM.
READY.....	EXTERNAL SV
BIDIRECTIONAL.....	PARALLEL COMM.
RS232.....	SERIAL COMM.
9600.....	BAUD
8 BITS.....	DATA BITS
NONE.....	PARITY
NON/XOFF.....	HOST HANDSHAKE
NONE.....	PROTOCOL
000.....	NETWORK ID
NORMAL MODE.....	COMMUNICATIONS
<<> 7EH.....	CONTROL PREFIX
<> 5EH.....	FORMAT PREFIX
<> 2CH.....	DELIMITER CHAR
ZPL II.....	ZPL MODE
INACTIVE.....	COMMAND OVERRIDE
HIGH.....	RIBBON TENSION
CALIBRATION.....	MEDIA POWER UP
NO MOTION.....	HEAD CLOSE
AFTER.....	BACKFEED
-055.....	LABEL TOP
+0000.....	LEFT POSITION
1430.....	HEAD RESISTOR
ENABLED.....	ERROR ON PAUSE
ENABLED.....	RIBBON LOW MODE
ACTIVE HIGH.....	RIB LOW OUTPUT
DISABLED.....	REPRINT MODE
038.....	WEB S.
084.....	MEDIA S.
073.....	RIBBON S.
050.....	MARK S.
000.....	MARK MED S.
020.....	TRANS GAIN
000.....	TRANS BASE
196.....	TRANS BRIGHT
220.....	RIBBON GAIN
006.....	MARK GAIN
DPCSIFXM.....	MODES ENABLED
1248 12/7MM FULL.....	MODES DISABLED
V53.17.14C.....	RESOLUTION
1.3.....	FIRMWARE
1.3.....	XML SCHEMA
V45.....	HARDWARE ID
CUSTOMIZED.....	CONFIGURATION
10840k.....	RAM
58392k.....	ONBOARD FLASH
NONE.....	FORMAT CONVERT
*** APPLICATOR.....	P31 INTERFACE
019 PAK170 RTS.....	P32 INTERFACE
00B POWER SUPPLY.....	P33 INTERFACE
FW VERSION.....	IDLE DISPLAY
05/12/12.....	RTC DATE
03:27.....	RTC TIME
ENABLED.....	ZBI
2.1.....	ZBI VERSION
READY.....	ZBI STATUS
122.482 IN.....	NONRESET CNTR
122.482 IN.....	RESET CNTR1
122.482 IN.....	RESET CNTR2
311.132 CN.....	NONRESET CNTR
311.132 CN.....	RESET CNTR1
311.132 CN.....	RESET CNTR2
SELECTED ITEMS.....	PASSWORD LEVEL
FIRMWARE IN THIS PRINTER IS COPYRIGHTED	

Figure 13 • Sample Network Configuration Label

Network Configuration	
Zebra Technologies ZTC ZE500-6 LA-300dpi ZPL ZBR4313239	
Wired.....	PRIMARY NETWORK
NO.....	LOAD FROM EXT?
Internal Wired.....	ACTIVE PRINTSRVR
External Wired	
ALL.....	IP PROTOCOL
000.000.000.000.....	IP ADDRESS
255.255.255.000.....	SUBNET MASK
000.000.000.000.....	DEFAULT GATEWAY
000.000.000.000.....	WINS SERVER IP
YES.....	TIMEOUT CHECKING
300.....	TIMEOUT VALUE
000.....	ARP INTERVAL
9100.....	BASE RAW PORT
Internal Wired*	
ALL.....	IP PROTOCOL
010.003.005.206.....	IP ADDRESS
255.255.255.000.....	SUBNET MASK
010.003.005.001.....	DEFAULT GATEWAY
010.003.001.098.....	WINS SERVER IP
YES.....	TIMEOUT CHECKING
300.....	TIMEOUT VALUE
000.....	ARP INTERVAL
9100.....	BASE RAW PORT
00074d41d097.....	MAC ADDRESS
Wireless	
ALL.....	IP PROTOCOL
000.000.000.000.....	IP ADDRESS
255.255.255.000.....	SUBNET MASK
000.000.000.000.....	DEFAULT GATEWAY
000.000.000.000.....	WINS SERVER IP
YES.....	TIMEOUT CHECKING
300.....	TIMEOUT VALUE
000.....	ARP INTERVAL
9100.....	BASE RAW PORT
NO.....	CARD INSERTED
0000H.....	CARD MFG ID
0000H.....	CARD PRODUCT ID
000000000000.....	MAC ADDRESS
YES.....	DRIVER INSTALLED
INFRASTRUCTURE.....	OPERATING MODE
125.....	ESSID
100.....	TX POWER
7 Mb/s.....	CURRENT TX RATE
DIVERSITY.....	RECEIVE ANTENNA
DIVERSITY.....	XMIT ANTENNA
OPEN.....	WEP TYPE
NONE.....	WLAN SECURITY
1.....	WEP INDEX
020.....	POOR SIGNAL
LONG.....	PREAMBLE
NO.....	ASSOCIATED
ON.....	PULSE ENABLED
15.....	PULSE RATE
OFF.....	INTL MODE
07FFH.....	CHANNEL MASK
FIRMWARE IN THIS PRINTER IS COPYRIGHTED	

PAUSE Self Test

This self test can be used to provide the test labels required when making adjustments to the print engine's mechanical assemblies or to determine if any printhead elements are not working. [Figure 14](#) shows a sample printout.

To perform a PAUSE self test, complete these steps:

1. Turn off (O) the print engine.
2. Press and hold **PAUSE** while turning on (I) the print engine. Hold **PAUSE** until the first control panel light turns off.
 - The initial self test prints 15 labels at the print engine's slowest speed, and then automatically pauses the print engine. Each time **PAUSE** is pressed, an additional 15 labels print. [Figure 14](#) shows a sample of the labels.

Figure 14 • PAUSE Test Label



- While the print engine is paused, pressing **CANCEL** alters the self test. Each time **PAUSE** is pressed, 15 labels print at 6 in. (152 mm) per second.
 - While the print engine is paused, pressing **CANCEL** again alters the self test a second time. Each time **PAUSE** is pressed, 50 labels print at the print engine's slowest speed.
 - While the print engine is paused, pressing **CANCEL** again alters the self test a third time. Each time **PAUSE** is pressed, 50 labels print at 6 in. (152 mm) per second.
 - While the print engine is paused, pressing **CANCEL** again alters the self test a fourth time. Each time **PAUSE** is pressed, 15 labels print at the print engine's maximum speed.
3. To exit this self test at any time, press and hold **CANCEL**.

Figure 16 • Bar Code Darkness Comparison

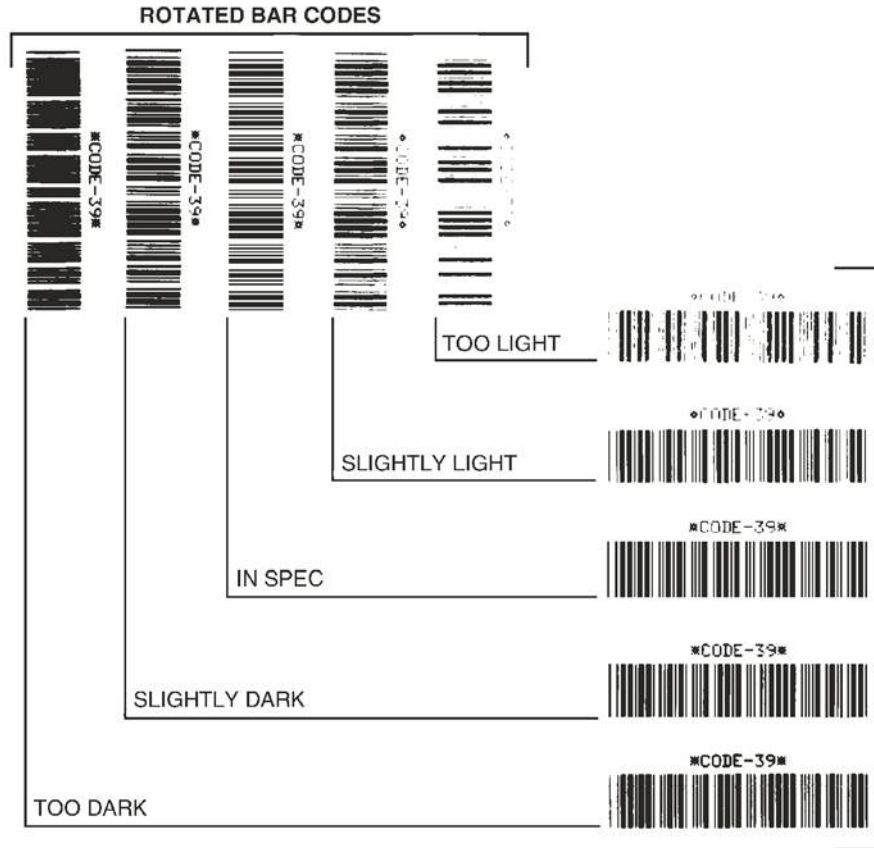


Table 18 • Judging Bar Code Quality

Print Quality	Description
Too dark	<p>Labels that are too dark are fairly obvious. They may be readable but not “in-spec.”</p> <ul style="list-style-type: none"> • The normal bar code bars increase in size. • The openings in small alphanumeric characters may fill in with ink. • Rotated bar code bars and spaces run together.
Slightly dark	<p>Slightly dark labels are not as obvious.</p> <ul style="list-style-type: none"> • The normal bar code will be “in-spec.” • Small character alpha numerics will be bold and could be slightly filled in. • The rotated bar code spaces are small when compared to the “in-spec” code, possibly making the code unreadable.

Table 18 • Judging Bar Code Quality (Continued)

Print Quality	Description
“In-spec”	<p>The “in-spec” bar code can only be confirmed by a verifier, but it should exhibit some visible characteristics.</p> <ul style="list-style-type: none"> • The normal bar code will have complete, even bars and clear, distinct spaces. • The rotated bar code will have complete, even bars and clear, distinct spaces. Although it may not look as good as a slightly dark bar code, the bar code will be “in-spec.” • In both normal and rotated styles, small alphanumeric characters look complete.
Slightly light	<p>Slightly light labels are, in some cases, preferred to slightly dark ones for “in-spec” bar codes.</p> <ul style="list-style-type: none"> • Both normal and rotated bar codes will be in spec, but small alphanumeric characters may not be complete.
Too light	<p>Labels that are too light are obvious.</p> <ul style="list-style-type: none"> • Both normal and rotated bar codes have incomplete bars and spaces. • Small alphanumeric characters are unreadable.

5. Note the relative darkness value and the print speed printed on the best test label.
6. Add or subtract the relative darkness value from the darkness value specified on the configuration label. The resulting numeric value is the best darkness value for that specific label/ribbon combination and print speed.
7. If necessary, change the darkness value to the darkness value on the best test label.
8. If necessary, change the print speed to the same speed as on the best test label.

FEED + PAUSE Self Test

Performing this self test temporarily resets the print engine configuration to the factory default values. These values are active only until power is turned off unless you save them permanently in memory. If the factory default values are permanently saved, a sensor calibration procedure must be performed. (See *Calibrate the Ribbon and Media Sensors* on page 97.)

To perform a FEED and PAUSE self test, complete these steps:

1. Turn off (O) the print engine.
2. Press and hold **FEED + PAUSE** while turning on (I) the print engine.
3. Hold **FEED + PAUSE** until the first control panel light turns off.

The print engine configuration is reset to the factory default values. No labels print at the end of this test.

CANCEL + PAUSE Self Test

Performing this self test temporarily resets the network configuration to the factory default values. These values are active only until power is turned off unless you save them permanently in memory.

To perform a CANCEL and PAUSE self test, complete these steps:

1. Turn off (O) the print engine.
2. Press and hold **CANCEL + PAUSE** while turning on (I) the print engine.
3. Hold **CANCEL + PAUSE** until the first control panel light turns off.

The printer's network configuration is reset to the factory default values. No labels print at the end of this test.

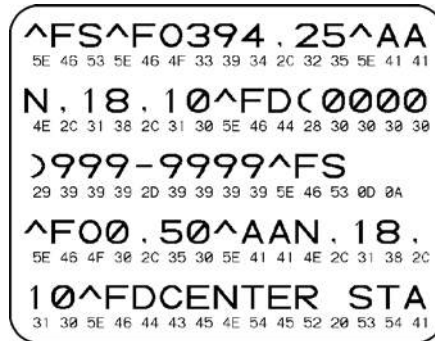
Communication Diagnostics Test

The communication diagnostics test is a troubleshooting tool for checking the interconnection between the print engine and the host computer. When the printer is in diagnostics mode, it prints all data received from the host computer as straight ASCII characters with the hex values below the ASCII text. The print engine prints all characters received, including control codes such as CR (carriage return). [Figure 17](#) shows a typical test label from this test.



Note • The test label prints upside-down.

Figure 17 • Communication Diagnostics Test Label



To use communication diagnostics mode, complete these steps:

1. Set the print width equal to or less than the label width being used for the test. See [Print Width on page 75](#) for more information.
2. Set the DIAGNOSTICS MODE option to ENABLED. For methods, see [Communication Diagnostics Mode on page 85](#).

The printer enters diagnostics mode and prints any data received from the host computer on a test label

3. Check the test label for error codes. For any errors, check that your communication parameters are correct.

Errors show on the test label as follows:

- FE indicates a framing error.
- OE indicates an overrun error.
- PE indicates a parity error.
- NE indicates noise.

4. Turn the print engine off (O) and then back on (I) to exit this self test and return to normal operation.

Sensor Profile

Use the sensor profile image (which will extend across several actual labels or tags) to troubleshoot the following situations:

- The printer experiences difficulty in determining gaps (web) between labels.
- The printer incorrectly identifies preprinted areas on a label as gaps (web).
- The printer cannot detect ribbon.

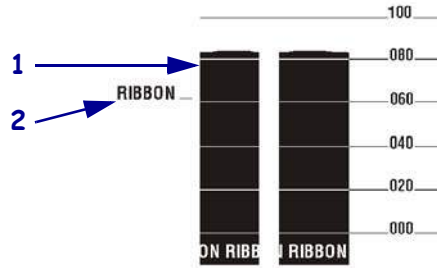
With the printer in the Ready state, print a sensor profile in one of these ways:

Using the buttons on the control panel	<ol style="list-style-type: none"> Turn off (O) the print engine. Press and hold FEED + CANCEL while turning on (I) the print engine. Hold FEED + CANCEL until the first control panel light turns off.
Using ZPL	<ol style="list-style-type: none"> Send the ~JG command to the printer. See the <i>Zebra Programming Guide</i> for more information about this command.
Using the control panel menu items	<ol style="list-style-type: none"> On the control panel display, navigate to the following item. See Control Panel Display on page 15 for information about using the control panel and accessing the menus. <div data-bbox="889 1024 1258 1226" data-label="Image"> </div> Press PLUS (+) to select PRINT.

Compare your results to the examples shown in this section. If the sensitivity of the sensors must be adjusted, calibrate the printer (see [Calibrate the Ribbon and Media Sensors on page 97](#)).

Ribbon Sensor Profile (Figure 18) The bars (1) on the sensor profile indicate the ribbon sensor readings. The ribbon sensor threshold setting is indicated by the word RIBBON (2). If the ribbon readings are below the threshold value, the print engine does not acknowledge that ribbon is loaded.

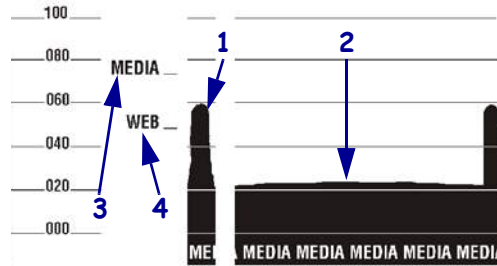
Figure 18 • Sensor Profile (Ribbon Section)



Media Sensor Profile (Figure 19) The media sensor readings are shown as bars and flat areas on the sensor profile (Figure 19). The bars (1) indicate gaps between labels (the web), and the low areas (2) indicate where labels are located. If you compare the sensor profile printout to a blank length of your media, the bars should be the same distance apart as the gaps on the media. If the distances are not the same, the print engine may be having difficulty determining where the gaps are located.

The media sensor threshold settings are shown by the words MEDIA (3) for the media threshold and WEB (4) for the web threshold. Use the numbers to the left of the sensor readings to compare the numeric readings to the sensor settings.

Figure 19 • Sensor Profile (Media Section)



Specifications

This section lists general printer specifications, printing specifications, ribbon specifications, and media specifications.

Contents

General Specifications	142
Printing Specifications	143
Ribbon Specifications.....	143
Media Specifications	144

General Specifications

Model		ZE500-4	ZE500-6
Height		11.8 in. (300 mm)	11.8 in. (300 mm)
Width		9.6 in. (245 mm)	9.6 in. (245 mm)
Depth		14.95 in. (380 mm)	17.23 in (438 mm)
Weight		34 lb (15.4 kg)	38 lb (17.3 kg)
Electrical		Universal power supply with power-factor correction 100–240 VAC, 47-63 Hz	
Temperature	Operating	Thermal Transfer: 40° to 104°F (5° to 40°C) Direct Thermal: 32° to 104°F (0° to 40°C)	
	Storage	–40° to 160°F (–40° to 71°C)	
Relative Humidity	Operating	20% to 85%, non-condensing	
	Storage	5% to 95%, non-condensing	
Communication Interfaces		<ul style="list-style-type: none"> • High-speed bidirectional parallel interface, IEEE 1284:Compatibility mode, EPC, Nibble mode. • High-speed serial interfaces: <ul style="list-style-type: none"> • RS-232C with DB9F connector • Configurable baud rate (300-115,200), parity, data bits, and stop bits • Software (XON/XOFF) or hardware (DTR/DSR) communication handshake protocols • USB 2.0 • ZebraNet 10/100 Print Server • ZebraNet b/g Print Server • Applicator interface with DB15F connector +5V I/O and +24V to +28V I/O versions available 	

Printing Specifications

Print resolution		203 dpi (dots per inch) (8 dots/mm)
		300 dpi (12 dots/mm)
Dot size (nominal) (width x length)	203 dpi	0.0049 in. x 0.0052 in. (0.125 mm x 0.132 mm)
	300 dpi	0.0033 in. x 0.0043 in. (0.084 mm x 0.110 mm)
Maximum print width	ZE500-4	4.1 in. (104 mm)
	ZE500-6	6.6 in. (168 mm)
Programmable constant print speeds	ZE500-4	2.0 in. (51 mm) through 12 in. (305 mm) per second in 1-inch (25 mm) increments
	ZE500-6, 203 dpi	2.0 in. (51 mm) through 12 in. (305 mm) per second in 1-inch (25 mm) increments
	ZE500-6, 300 dpi	2.0 in. (51 mm) through 10 in. (203 mm) per second in 1-inch (25 mm) increments

Ribbon Specifications

Ribbon wound coated side out		
Ribbon width*	ZE500-4	1.0 to 4.2 in. (25 to 107 mm)
	ZE500-6	3.0 to 7.1 in. (76 to 180 mm)
Maximum ribbon length		1970 feet (600 m)
Maximum ribbon roll size	outside diameter	4.0 in. (102 mm)
	inside diameter	1.0 in. (25 mm)

* Zebra recommends using ribbon that is at least as wide as the media to protect the printhead from wear.

Media Specifications

Model		ZE500-4	ZE500-6
Minimum label length	Applicator mode, backfeed on	0.50 in.* (12.7 mm*)	3.0 in. (76.2 mm)
	Applicator mode, backfeed off	0.25 in.* (6.4 mm*)	1.0 in. (25.4 mm)
	Stream mode	0.50 in.* (12.7 mm*)	3.0 in. (76.2 mm)
	Rewind mode	0.25 in.* (6.4 mm*) “loose loop”	1.0 in. (25.4 mm) “loose loop”
	Tear-off mode, backfeed on	0.50 in.* (12.7 mm*)	3.0 in. (76.2 mm)
	Tear-off mode, backfeed off	0.25 in.* (6.4 mm*)	1.0 in. (25.4 mm)
	RFID mode	**	N/A
Media width (label and liner)	Minimum	0.625 in.* (16 mm*)	3.0 in. (76 mm)
	Maximum	4.5 in.* (114 mm*)	7.1 in. (180 mm)
	RFID labels	**	N/A
Media thickness (includes liner, if any)	Minimum	0.0053 in (0.135 mm)	0.003 in (0.076 mm)
	Maximum	0.010 in. (0.254 mm)	0.012 in. (0.305 mm)
Inter-label gap	Minimum	0.079 in.* (2 mm*)	0.079 in. (2 mm)
	Preferred	0.118 in.* (3 mm*)	0.118 in. (3 mm)
	Maximum	0.157 in.* (4 mm*)	0.157 in. (4 mm)
	RFID labels	**	N/A
Ticket/tag notch size (width x length)		0.25 x 0.12 in. (6 x 3 mm)	
Hole diameter		0.125 in. (3 mm)	
Black mark length (parallel to inside media edge)		0.12 to 0.43 in. (3 to 11 mm)	
Black mark width (perpendicular to inside media edge)		> 0.43 in. (> 11 mm)	
Black mark location		within 0.040 in. (1 mm) of inside media edge	
Density, in Optical Density Units (ODU) (black mark media)		> 1.0 ODU	
Maximum media density (black mark media)		0.5 ODU	

* Does not apply to RFID labels.

** This parameter varies for each transponder type.

Applicator Interface Board Reconfiguration

The print engine ships with the following caution label over the optional applicator port:

Caution:

Configured for non - isolated 5V internal power.
Reconfigure before applying external voltage.

- For +5V non-isolated mode (internal power), no configuration is necessary.
- For +5V to +28V isolated mode (external power), the jumpers on the applicator interface board must be reconfigured. Follow the instructions in this section.



Caution • Do not remove the caution label or apply external power until after the applicator interface board is reconfigured for isolated mode. Applying external power when the print engine is configured for internal power will damage your print engine.



Note • The graphics and steps in this procedure are for the right-hand (RH) print engine. Steps for a left-hand (LH) print engine may be slightly different.

Tools Required



Tools • You may need these tools to complete this procedure:

- | | |
|--|---|
| <input type="checkbox"/> Phillips Screwdriver Set | <input type="checkbox"/> Needle-nose pliers |
| <input type="checkbox"/> Metric Hex Key (Allen Wrench) Set | <input type="checkbox"/> Torx Key Set |
| <input type="checkbox"/> Antistatic Wriststrap and Mat | <input type="checkbox"/> Flashlight |

Changing Jumper Settings for Isolated Mode



Caution • This installation must be performed by a qualified service technician.

To change from non-isolated mode (internal power) to isolated mode (external power), complete these steps:

Remove Power and Data Cables



1. **Caution** • Observe proper electrostatic safety precautions when handling static-sensitive components such as circuit boards and printheads.

Connect yourself to an antistatic device.




2. **Caution** • Turn off (O) the print engine and disconnect it from the power source before performing the following procedure.

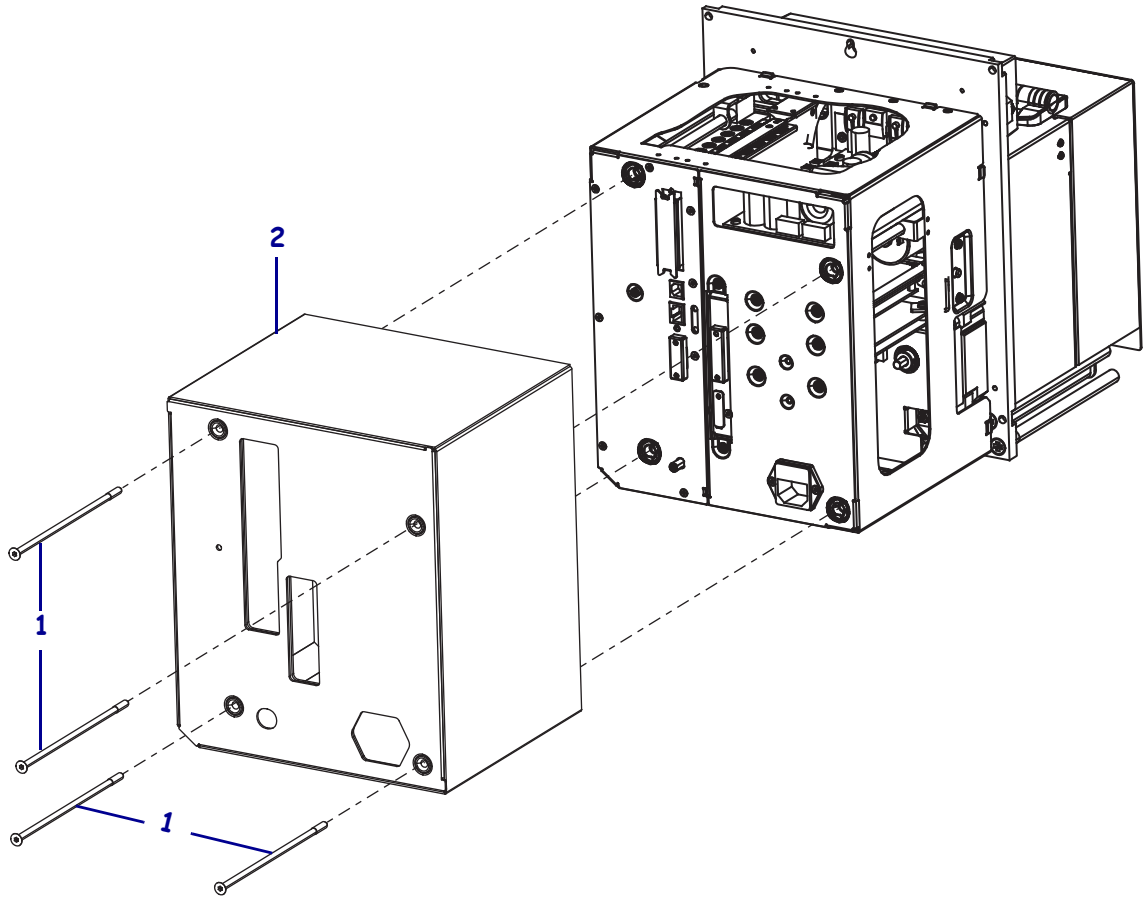
Turn off (O) the printer and disconnect the AC power cord and all data cables.

Access the Electronics Compartment and Remove the Applicator Interface Board

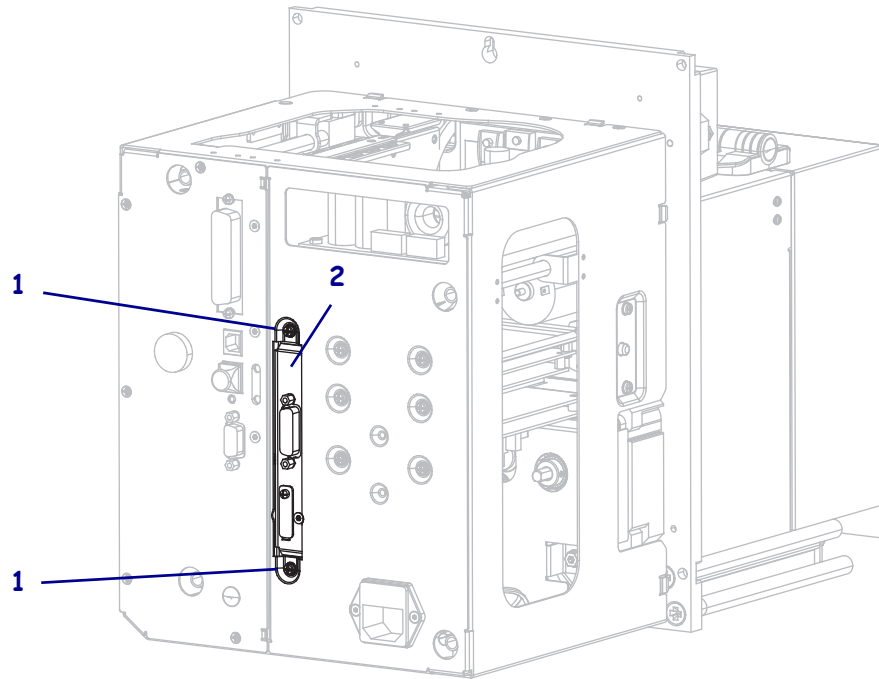
3. Does your applicator (or stand) permit open access to the rear of the print engine?

If you have...	Then...
Open access	<p>You may swing the print engine open and work on it without removing the unit from the applicator.</p> <p>If you wish to remove the unit from the stand at any time, follow the instructions listed for the <i>Obstructed access</i> type applicator shown in this table.</p> <p>a. Go to step 4.</p>
Obstructed access	<p>You must remove the print engine from the applicator before you work on it.</p> <p>a. Remove the four corner mounting screws securing the print engine to the applicator.</p> <p>b. Loosen the center mounting bolt, but do not remove it.</p> <p> Note • The keyhole and the center mounting bolt are designed to support the print engine and assist in installing and removing the four mounting screws.</p> <p>c. Lift the print engine off the center mounting bolt and place on a workbench.</p>

4. Remove the four long mounting screws (1) that secure the electronics cover, and then slide the electronics cover (2) off of the print engine.



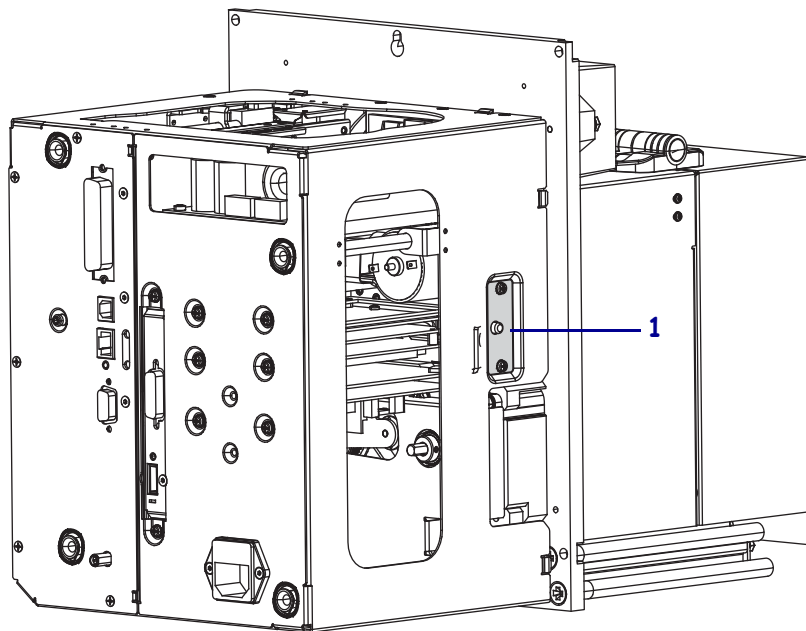
5. On the back of the applicator interface board, remove the two mounting screws (1) that secure the applicator interface board (2) to the back plane of the print engine.



6. Locate the latch (1) on the side of the print engine.

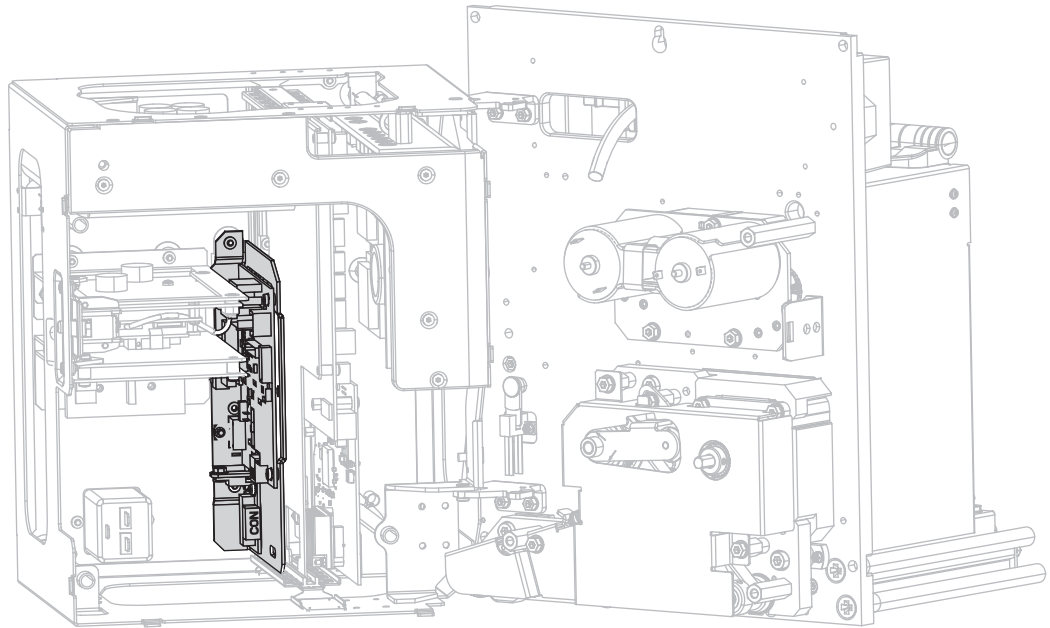


Note • For right-hand models, the latch is on the right side when you are facing the back of the print engine. For left-hand models, the latch is on the left side.

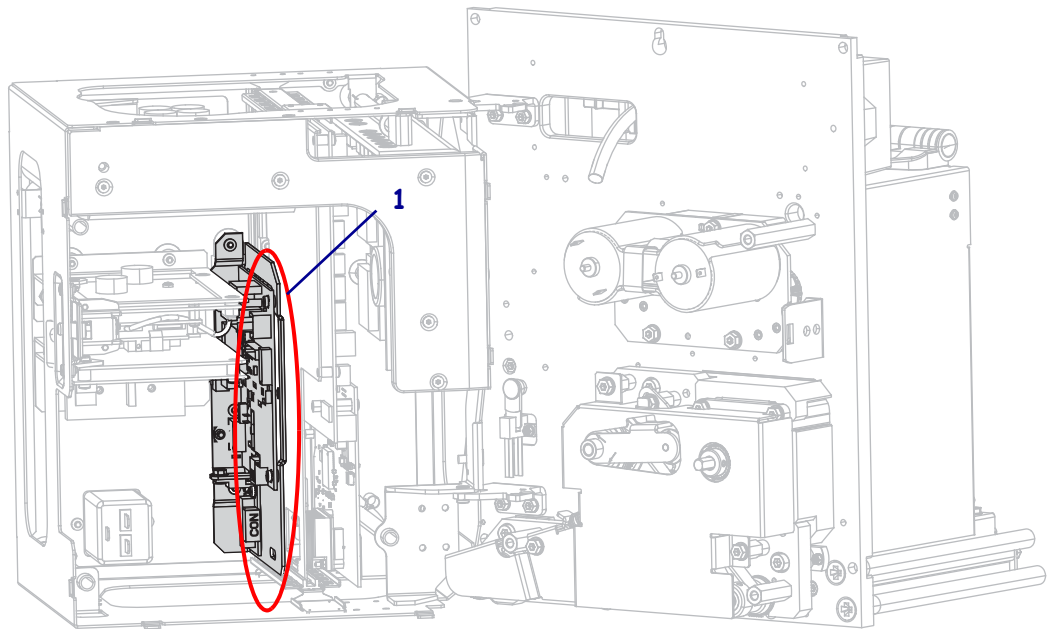


7. Press the latch, and then swing the electronics enclosure open.

8. Inside the print engine, locate the applicator interface board.



9. Disconnect the connectors (1) along the accessible edge of the applicator interface board. Note how the connectors are attached to assist with reattachment later in this procedure.

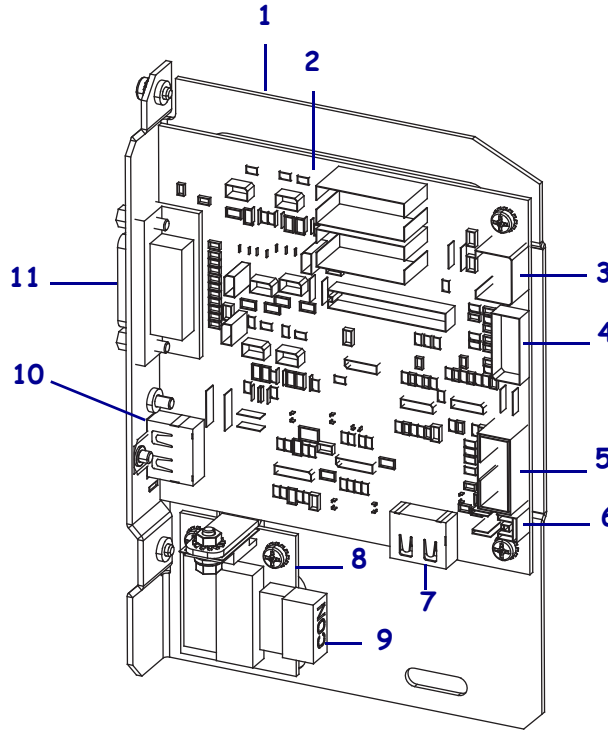


10. Gently pull the applicator interface board partially away from the back plane of the print engine.



Note • Avoid disconnecting or pinching any cables inside the electronics enclosure.

11. Disconnect the remaining connectors on the applicator interface board and the attached voltage regulator board.



1	Applicator interface board mounting plate	7	J7: Internal HDMI connector for control panel
2	Applicator interface board	8	Voltage regulator board
3	J3: Applicator interface power cable	9	J1 (on voltage reg. board): Power cable
4	J1: Locking SP comm cable	10	J2: External HDMI connector for deported control panel
5	J8: Control panel SPI extension (ribbon) cable	11	J6: Applicator interface cable
6	J9: Door-open sensor cable		

12. Remove the applicator interface board from the print engine.

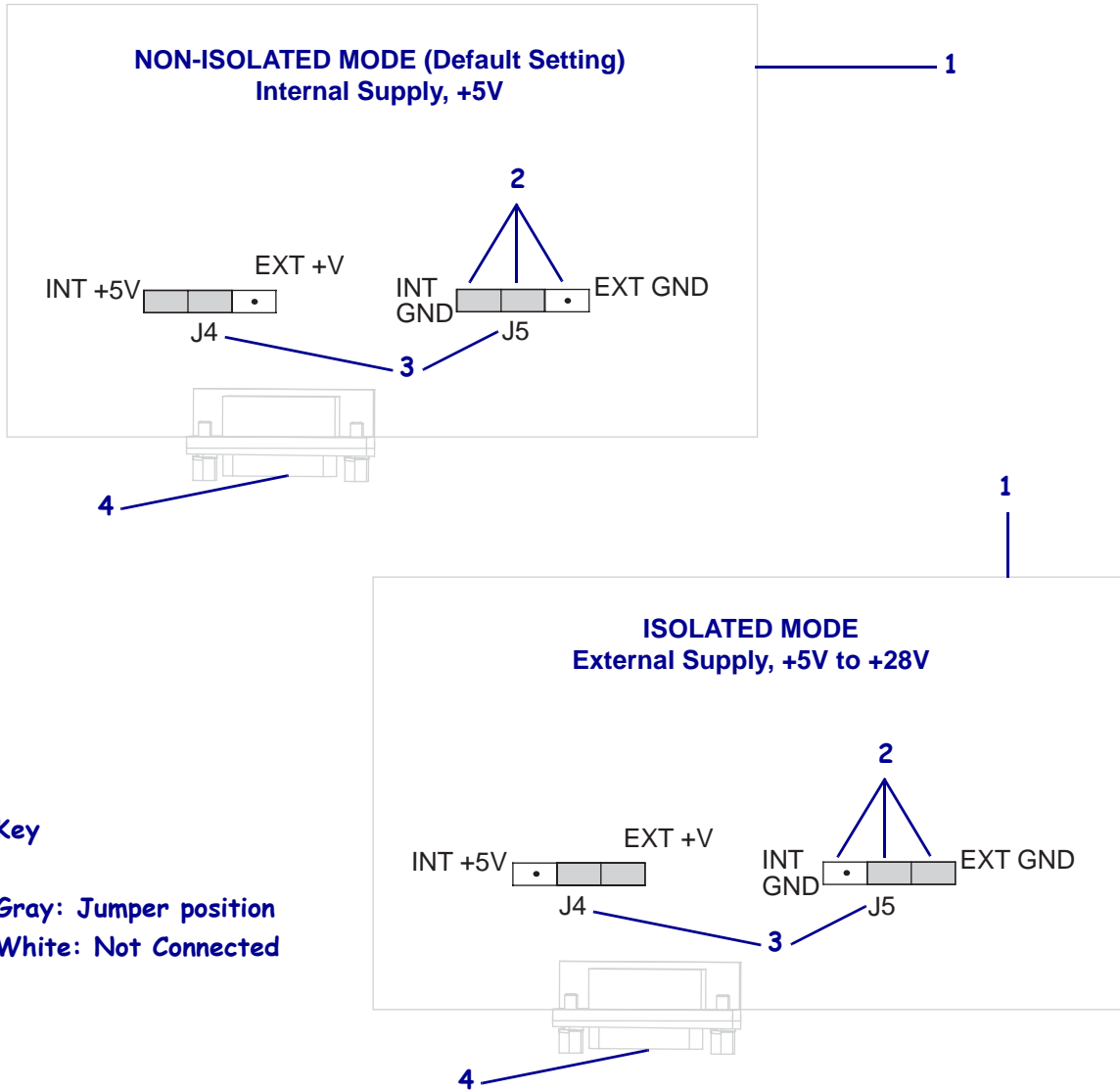
Adjust Jumper Placement for +5V to +28V Isolated Mode

13. Locate the areas marked J4 and J5.



14. **Caution** • Do not apply external power until after the board is reconfigured for Isolated Mode.

Move the jumpers on both J4 and J5 to cover the pins as shown from the default of Non-Isolated Mode to Isolated Mode. You may use needle-nose pliers, if necessary.



Key

Gray: Jumper position
 White: Not Connected

1	Simulated applicator interface board
2	Pins
3	Labels on the applicator interface board
4	Applicator port

Reinsert and Reconnect the Applicator Interface Board

15. Gently insert the applicator interface board into the print engine, and slide it toward the back plane.



Note • Avoid disconnecting or pinching any cables inside the electronics enclosure.

16. Reconnect the cables that were disconnected in [step 9](#) and [step 11](#). See [Figure 20](#) on [page 153](#) for most of the connector locations.

- a. Reconnect the control panel.
Which type of control panel are you using?

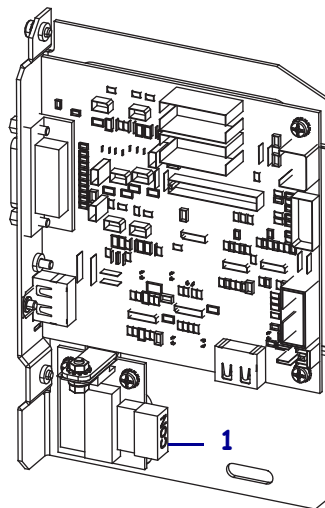
If your control panel is...	Then...
Standard (attached to the top of the print engine)	<ol style="list-style-type: none"> 1. Connect the HDMI cable to J7 on the applicator interface board. 2. Continue with step b.
Deported (attached away from the print engine)	<ol style="list-style-type: none"> 1. Reconnect the HDMI cable to J2 on the applicator interface board. This connector is accessible from the back plane. 2. Continue with step b.

- b. Connect the locking SP comm cable to J1 on the applicator interface board.



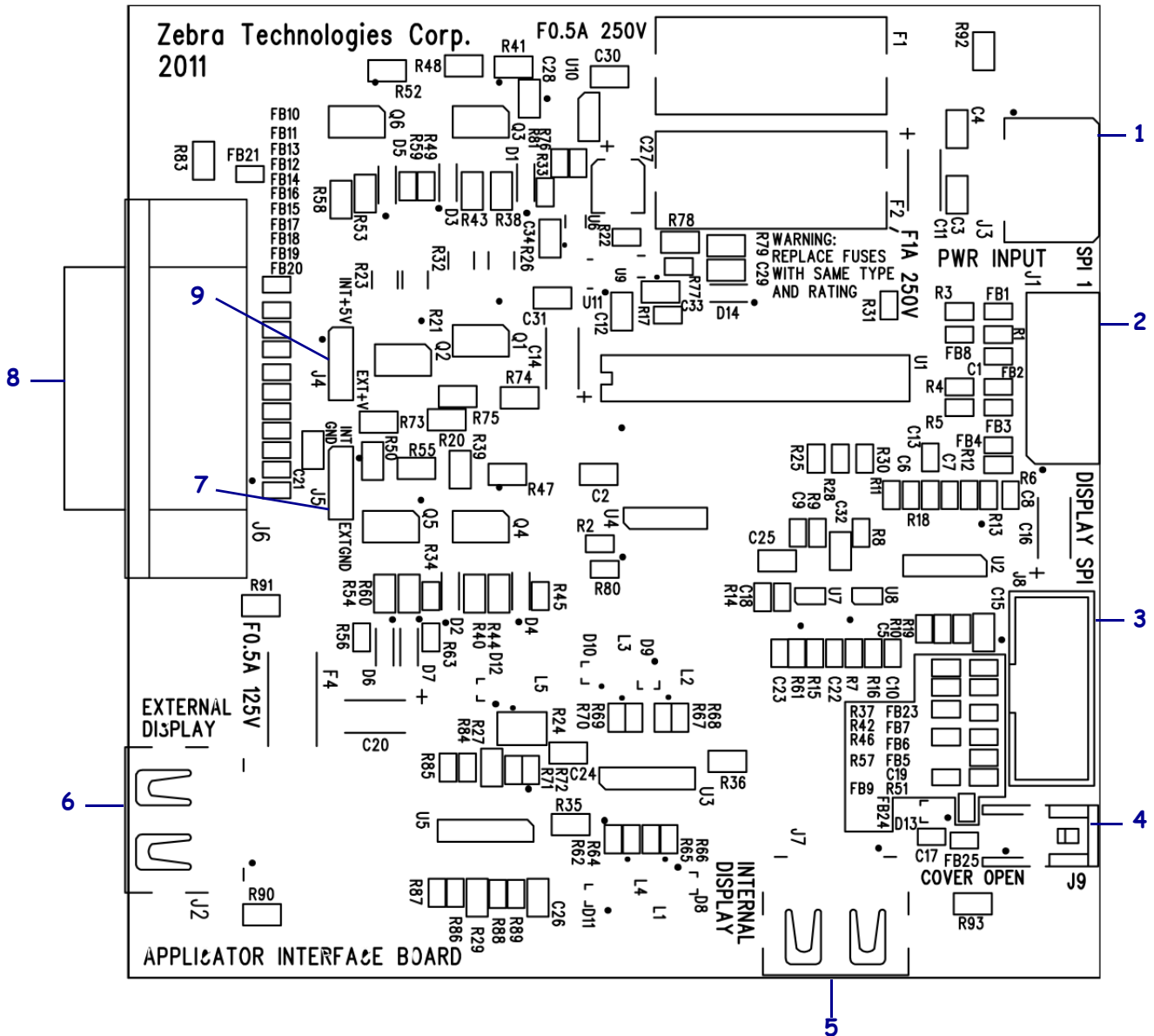
Important • This applicator interface board requires the use of an SP comm cable with a ferrite. The locking connector is the one closest to the ferrite.

- c. Connect the six-pin connector for the power cable to J3 on the applicator interface board.
- d. Connect the four-pin connector (arranged in a line) for the power cable to J1 (1) on the voltage regulator board.



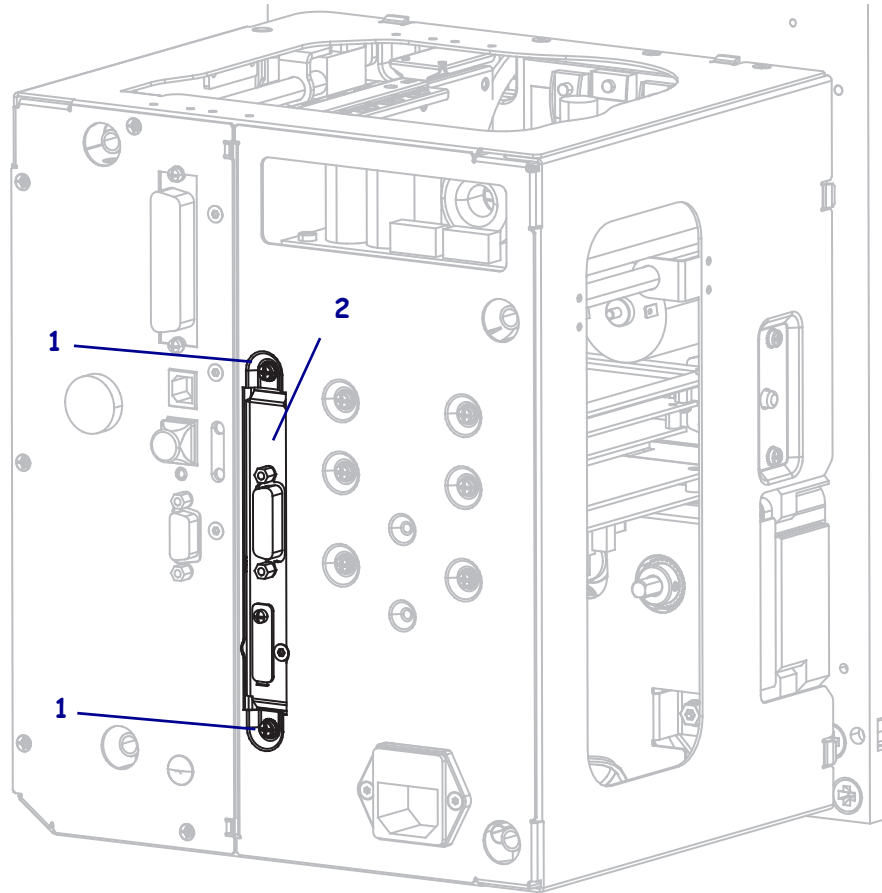
- e. Connect the door-open sensor to J9 on the applicator interface board.

Figure 20 • Applicator Interface Board Connections



1	J3: Applicator interface power cable
2	J1: Locking SP comm cable
3	J8: Control panel SPI extension (ribbon) cable
4	J9: Door-open sensor cable
5	J7: Internal HDMI connector for control panel
6	J2: External HDMI connector for deported control panel
7	J5: Jumper
8	J6: Applicator interface cable
9	J4: Jumper

17. Align the mounting holes in the applicator interface board with the holes in the back plane of the print engine.
18. Reinstall the two mounting screws (1) to secure the applicator interface board (2) to the back plane of the print engine.



Close the Electronics Enclosure

19. Ensure that all wires are routed properly and are not causing any obstructions, and then carefully swing the electronics enclosure closed.
20. Slide the electronics cover onto the print engine.
21. Reinstall the four electronics cover mounting screws.

Reinstall the Print Engine in the Applicator (If Applicable)

22. To reinstall the print engine into the applicator, carefully place the keyhole on the center mounting bolt.



Note • The keyhole and the center mounting bolt are designed to support the print engine and assist in installing and removing the four mounting screws.

23. Replace the four corner mounting screws securing the print engine to the applicator.
24. Tighten the center mounting bolt.

Resume Printer Operation

25. Reconnect the AC power cord and interface cables.
26. Turn on (I) the print engine.

The installation is complete.



Notes • _____

Glossary

alphanumeric Indicating letters, numerals, and characters such as punctuation marks.

backfeed When the print engine pulls the media and ribbon (if used) backward into the print engine so that the beginning of the label to be printed is properly positioned behind the printhead. Backfeed occurs when operating the print engine in Tear-Off and Applicator modes.

bar code A code by which alphanumeric characters can be represented by a series of adjacent stripes of different widths. Many different code schemes exist, such as the universal product code (UPC) or Code 39.

black mark A registration mark found on the underside of the print media that acts as a start-of-label indication for the print engine. (See *non-continuous media*.)

calibration (of a print engine) A process in which the print engine determines some basic information needed to print accurately with a particular media and ribbon combination. To do this, the print engine feeds some media and ribbon (if used) through the print engine and senses whether to use the direct thermal or thermal transfer print method, and (if using non-continuous media) the length of individual labels or tags.

configuration The print engine configuration is a group of operating parameters specific to the print engine application. Some parameters are user selectable, while others are dependent on the installed options and mode of operation. Parameters may be switch selectable, control panel programmable, or downloaded as ZPL II commands. A configuration label listing all the current print engine parameters may be printed for reference.

continuous media Label or tag-stock media that has no notch, gap, or web (media liner only) to separate the labels or tags. The media is one long piece of material.

core diameter The inside diameter of the cardboard core at the center of a roll of media or ribbon.

diagnostics Information about which print engine functions are not working that is used for troubleshooting print engine problems.

die-cut media A type of label stock that has individual labels stuck to a media liner. The labels may be either lined up against each other or separated by a small distance. Typically the material surrounding the labels has been removed. (See *non-continuous media*.)

direct thermal A printing method in which the printhead presses directly against the media. Heating the printhead elements causes a discoloration of the heat-sensitive coating on the media. By selectively heating the printhead elements as the media moves past, an image is printed onto the media. No ribbon is used with this printing method. Contrast this with *thermal transfer*.

direct thermal media Media that is coated with a substance that reacts to the application of direct heat from the printhead to produce an image.

dynamic RAM The memory devices used to store the label formats in electronic form while they are being printed. The amount of DRAM memory available in the print engine determines the maximum size and number of label formats that can be printed. This is volatile memory that loses the stored information when power is turned off.

fanfold media Media that comes folded in a rectangular stack. Contrast this with *roll media*.

firmware This is the term used to specify the print engine's operating program. This program is downloaded to the print engine from a host computer and stored in FLASH memory. Each time the print engine power is turned on, this operating program starts. This program controls when to feed the media forward or backward and when to print a dot on the label stock.

FLASH memory FLASH memory is non-volatile and maintains the stored information intact when power is off. This memory area is used to store the print engine's operating program. In addition, this memory can be used to store optional print engine fonts, graphic formats, and complete label formats.

Font A complete set of alphanumeric characters in one style of type. Examples include CG Times™, CG Triumvirate Bold Condensed™.

ips (inches-per-second) The speed at which the label or tag is printed. Many Zebra print engines can print from 1 ips to 12 ips.

label An adhesive-backed piece of paper, plastic, or other material on which information is printed.

label backing (liner) The material on which labels are affixed during manufacture and which is discarded or recycled by the end-users.

light emitting diode (LED) Indicators of specific print engine status conditions. Each LED is either off, on, or blinking depending on the feature being monitored.

liquid crystal display (LCD) The LCD is a back-lit display that provides the user with either operating status during normal operation or option menus when configuring the print engine to a specific application.

media Material onto which data is printed by the print engine. Types of media include: tag stock, die-cut labels, continuous labels (with and without media liner), non-continuous media, fanfold media, and roll media.

media sensor This sensor is located behind the printhead to detect the presence of media and, for non-continuous media, the position of the web, hole, or notch used to indicate the start of each label.

media supply hanger The stationary arm that supports the media roll.

non-continuous media Media that contains an indication of where one label/printed format ends and the next one begins. Examples are die-cut labels, notched tag-stock, and stock with black mark registration marks.

non-volatile memory Electronic memory that retains data even when the power to the print engine is turned off.

notched media A type of tag stock containing a cutout area that can be sensed as a start-of-label indicator by the print engine. This is typically a heavier, cardboard-like material that is either cut or torn away from the next tag. (See *non-continuous media*.)

peel-off A mode of operation in which the print engine peels a printed label away from the backing and allows the user to remove it before another label is printed. Printing pauses until the label is removed.

print speed The speed at which printing occurs. For thermal transfer print engines, this speed is expressed in terms of ips (inches per second).

printhead wear The degradation of the surface of the printhead and/or the print elements over time. Heat and abrasion can cause printhead wear. Therefore, to maximize the life of the printhead, use the lowest print darkness setting (sometimes called burn temperature or head temperature) and the lowest printhead pressure necessary to produce good print quality. In the thermal transfer printing method, use ribbon that is as wide or wider than the media to protect the printhead from the rough media surface.

registration Alignment of printing with respect to the top (vertical) or sides (horizontal) of a label or tag.

ribbon A band of material consisting of a base film coated with wax or resin “ink.” The inked side of the material is pressed by the printhead against the media. The ribbon transfers ink onto the media when heated by the small elements within the printhead. Zebra ribbons have a coating on the back that protects the printhead from wear.

ribbon wrinkle A wrinkling of the ribbon caused by improper alignment or improper printhead pressure. This wrinkle can cause voids in the print and/or the used ribbon to rewind unevenly. This condition should be corrected by performing adjustment procedures.

roll media Media that comes supplied rolled onto a core (usually cardboard). Contrast this with *fanfold media*.

supplies A general term for media and ribbon.

symbology The term generally used when referring to a bar code.

tag A type of media having no adhesive backing but featuring a hole or notch by which the tag can be hung on something. Tags are usually made of cardboard or other durable material.

tear-off A mode of operation in which the user tears the label or tag stock away from the remaining media by hand.

thermal transfer A printing method in which the printhead presses an ink or resin coated ribbon against the media. Heating the printhead elements causes the ink or resin to transfer onto the media. By selectively heating the printhead elements as the media and ribbon move past, an image is printed onto the media. Contrast this with *direct thermal*.

void A space on which printing should have occurred, but did not due to an error condition such as wrinkled ribbon or faulty print elements. A void can cause a printed bar code symbol to be read incorrectly or not at all.

Index

A

- active print server
 - how to interpret, 87
 - user menu item, 34
- adhesive test for ribbon coating, 40
- adjustments
 - label left position, 78
 - label top position, 78
 - maximum label length, 76
 - media sensors, 102
 - print darkness, 71
 - print width, 75
 - printhead pressure, 106
 - tear-off position, 72
 - toggle positioning, 104
- applicator
 - characteristics of applicator connection, 55
 - error on pause, 78
 - reconfiguration of applicator interface board to +5V to +28V isolated mode, 145
 - select applicator mode, 73
 - specify end print action, 73
 - start print signal
 - how to change, 74
 - user menu item, 20
 - user menu item, 20

B

- backfeed sequence
 - how to change, 77
 - user menu item, 30
- backfeed speed
 - how to select, 72
 - selection, 80
 - user menu item, 19
- bar codes
 - bar code does not scan, 118
 - bar codes label, 82
 - darkness comparison during FEED self test, 134
 - user menu item, 25
- battery disposal, 113
- baud rate
 - user menu item, 27
 - ways to set, 95
- bitmap scaling factor, 85
- black mark media
 - described, 38
 - selecting media type, 74
 - setting media type through user menu, 20
- broken ribbon, 119
- buttons on control panel, 14

C

- CALIBRATE button, 14
- calibration
 - Auto Calibrate failed, 118
 - how to set as head-close action, 83
 - how to set as power-up action, 83
 - media/ribbon cal
 - procedure, 97
 - user menu item, 26
 - SHORT CAL
 - how to set for head-close action, 83
 - how to set for power-up action, 83
 - ways to initiate, 85
- CANCEL button
 - CANCEL self test, 132
 - location, 14
- cleaning
 - exterior of print engine, 110
 - media compartment, 111
 - printhead and platen roller, 111
 - recommended schedule, 110
- command character
 - user menu item, 29
 - ways to set, 92
- communication diagnostics mode
 - how to initiate, 85
 - user menu item, 28
- communication interfaces, 53
- communications diagnostics mode
 - overview, 138
- communications problems, 128
- components of print engine, 13
- configuration label
 - network
 - ways to print, 82
 - printer
 - ways to print, 82
 - printing using CANCEL self test, 132
- connect printer to computer or network, 53
- connect printer to power source, 57
- continuous media
 - described, 38
 - selecting media type, 74
 - setting media type through user menu, 20
- control character
 - user menu item, 28
 - ways to set, 91
- control panel
 - button function, 14
 - display, 15
 - error messages, 123
 - navigation, 15

- counters
 - non-resettable
 - description, 81
 - user menu item, 24
 - print odometer readings, 81
 - how to print, 81
 - user menu item, 24
 - user-controlled
 - counter 1 menu item, 24
 - counter 2 menu item, 24
 - how to change, 81
- Cutter mode
 - how to select, 73
 - select print mode through user menu, 20

D

- darkness
 - how to make adjustments, 71
 - print quality too light or too dark, 117
 - user menu item, 19
- data bits
 - user menu item, 27
 - ways to set, 95
- data cables, 56
- data source
 - connections, 53
- date setting, 33
- declaration of conformity, 3
- default gateway
 - user menu item, 35
 - ways to view or set, 89
- default password, 18
- default reset, 84
- defragmenting message, 126
- delimiter character
 - user menu item, 29
 - ways to set, 92
- diagnostic mode
 - how to initiate, 85
 - user menu item, 28
- diagnostics, 131
- Direct Thermal mode
 - how to specify, 74
 - media scratch test, 39
- disable password protection, 18
- display
 - location, 14
 - missing characters, 129
- display language
 - how to change from unfamiliar language, 129
 - user menu item, 36
 - ways to change, 91

disposal of printer parts, 113

door-open sensor
when to clean, 110

E

early warning

maintenance

how to enable or disable, 80
printhead life menu item, 23
reset new printhead counter, 23
reset printhead cleaning counter, 23
set printhead cleaning interval, 23
user menu item, 23

media and ribbon

how to enable or disable, 80
labels per roll, 22
reset media counter, 22
reset ribbon counter, 22
ribbon length, 22
user menu item, 21

error messages, 123

error on pause

how to change, 78
user menu item, 31

ESSID

user menu item, 35
ways to view, 90

Ethernet

characteristics of a wired connection, 55
characteristics of wireless connection, 56
port location, 53

exterior cleaning, 110

F

factory defaults

reload parameters, 17
restore network settings, 17

fanfold media

described, 38

FCC radiation exposure limits, 4

feed a label

how to set as head-close action, 83
how to set as power-up action, 83

FEED button

FEED and PAUSE self test, 137
FEED self test, 134
location, 14

flash memory initialization

how to start, 82
user menu item, 26

fonts

fonts label, 82
user menu item, 24

format convert

how to use, 85
user menu item, 32

format prefix

user menu item, 29
ways to set format command prefix, 92

formats

formats label, 82
user menu item, 25

G

gap/notch

illustrations, 38
selecting media type, 74
sensor selection through user menu, 21
setting media type through user menu, 20
ways to select media sensor type, 93

gateway

user menu item, 35
ways to view or set, 89

H

head test count

how to enable or disable, 78
user menu item, 30

head-close action

how to change, 83
user menu item, 30

host handshake

user menu item, 28
ways to set, 96

I

idle display

described, 15
how to change what displays, 86
user menu item, 32

images

images label, 82
user menu item, 25

images distorted on labels, 128

indicator lights

combined with error message on ZT230, 123

initialize flash memory

how to start, 82
user menu item, 26

initiate manual calibration, 85

inspect for shipping damage, 42

- installation
 - procedure, 52
 - requirements, 46
 - IP address
 - user menu item, 34
 - ways to view or set, 88
 - IP protocol
 - how to change, 88
 - user menu item, 34
 - IP resolution
 - IP protocol
 - how to change, 88
 - user menu item, 34
- L**
- label left position
 - how to adjust, 78
 - user menu item, 30
 - label length
 - how to adjust maximum value, 76
 - user menu item, 21
 - label shift, 78
 - label top position
 - how to adjust, 78
 - user menu item, 30
 - label width, 75
 - labels did not print, 128
 - labels not printing, 128
 - labels per roll for early warning, 22
 - language
 - how to change from unfamiliar language, 129
 - user menu item, 36
 - ways to change display language, 91
 - last saved settings, 84
 - LCD error messages, 123
 - left-hand print engine orientation, 12
 - LENGTH
 - how to set as head-close action, 83
 - how to set as power-up action, 83
 - liability, 2
 - Liner Take-Up mode
 - how to select, 73
 - select print mode through user menu, 20
 - list bar codes, 25
 - list fonts, 24
 - list formats, 25
 - list images, 25
 - list network, 25
 - list setup, 25
 - load defaults
 - how to load printer or print server defaults, 84
 - load factory defaults, 17
 - load IP settings from external device
 - how to use, 87
 - user menu item, 33
 - load network defaults, 84
 - lubrication, 113
- M**
- MAC address
 - user menu item, 35
 - ways to view, 89
 - manual calibration
 - media/ribbon cal user menu item, 26
 - procedure, 97
 - ways to initiate, 85
 - maximum label length
 - how to change, 76
 - user menu item, 21
 - media
 - black mark, 38
 - continuous roll media, 38
 - fanfold, 38
 - non-continuous roll media, 38
 - perforated, 38
 - RFID “smart” labels, 37
 - tag stock, 37
 - types of media, 37
 - web, 38
 - media compartment cleaning, 111
 - media path cleaning, 110
 - media power up
 - how to change, 83
 - user menu item, 29
 - media scratch test, 39
 - media sensor
 - adjustments, 102
 - sensor type user menu item, 21
 - ways to select, 93
 - media sensor calibration
 - procedure, 97
 - user menu item, 26
 - ways to initiate, 85
 - media type
 - how to select, 74
 - user menu item, 20
 - melted ribbon, 119
 - misregistration of labels, 117
 - missing print on labels, 117

N

- navigation, 15
- network configuration label
 - user menu item, 25
 - ways to print, 82
- network ID
 - how to change, 96
 - user menu item, 28
- network settings
 - load defaults
 - ways to initiate, 84
 - when exiting Setup mode, 17
 - reset network
 - user menu item, 35
 - ways to reset, 90
- NO MOTION
 - how to set as head-close action, 83
 - how to set as power-up action, 83
- non-continuous media
 - described, 38
 - problem with labels, 129
 - selecting media type, 74

O

- odometers
 - non-resettable counter
 - description, 81
 - user menu item, 24
 - print readings
 - how to print, 81
 - user menu item, 24
 - print user-controlled counters, 81
 - user-controlled counters
 - counter 1 menu item, 24
 - counter 2 menu item, 24
 - how to change, 81
- ordering replacement parts, 113

P

- parallel communications
 - user menu item, 27
 - ways to set, 94
- parallel port
 - characteristics of parallel connection, 54
 - location, 53
- parity
 - user menu item, 27
 - ways to set, 95

- password
 - default, 18
 - disable, 18
 - select password protection level
 - how to set, 86
 - user menu item, 36
- PAUSE button
 - FEED and PAUSE self test, 137
 - location, 14
 - PAUSE self test, 133
- peel roller
 - cleaning, 111
 - when to clean, 110
- peel-off bar cleaning, 110
- Peel-Off mode
 - how to select, 73
 - select print mode through user menu, 20
- perforated media, 38
- pinch roller
 - cleaning, 111
 - when to clean, 110
- platen roller
 - cleaning, 111
 - when to clean, 110
- power
 - connect to power source, 57
 - power cord specifications, 58
- Power-On Self Test (POST), 131
- power-up action
 - how to change, 83
 - user menu item, 29
- primary network
 - how to select, 87
 - user menu item, 33
- print configuration label
 - CANCEL self test, 132
- print darkness setting, 71
- print engine components, 13
- print engine setup
 - dimensions and clearance needs, 47
 - installation, 46
- print information
 - how to print various printer information, 82
 - LIST ALL user menu item, 26
- print method
 - how to specify, 74
 - user menu item, 21
- print mode
 - how to select, 73
 - user menu item, 20

- print quality
 - bar code does not scan, 118
 - running FEED self test, 134
 - troubleshooting, 116
 - print server
 - active print server
 - how to interpret, 87
 - user menu item, 34
 - characteristics of wired connection, 55
 - characteristics of wireless connection, 56
 - default gateway
 - user menu item, 35
 - ways to view or set, 89
 - ESSID
 - user menu item, 35
 - ways to view, 90
 - IP address
 - user menu item, 34
 - ways to view or set, 88
 - IP protocol
 - how to change, 88
 - user menu item, 34
 - MAC address
 - user menu item, 35
 - ways to view, 89
 - network configuration label
 - sample label, 132
 - ways to print, 82
 - primary network
 - user menu item, 33
 - reset network settings
 - user menu item, 35
 - ways to reset, 90
 - subnet mask
 - user menu item, 34
 - ways to view or set, 89
 - print speed
 - how to select, 71
 - user menu item, 19
 - print width
 - how to adjust, 75
 - user menu item, 21
 - printer configuration label
 - user menu item, 25
 - ways to print, 82
 - printer diagnostics, 131
 - printer locks up, 130
 - printer settings
 - applicator port end print action, 73
 - backfeed speed, 72
 - darkness, 71
 - date, 33
 - label left position, 78
 - label top position, 78
 - maximum label length, 76
 - media type, 74
 - print method, 74
 - print mode, 73
 - print speed, 71
 - print width, 75
 - reprint mode, 79
 - settings not taking effect, 129
 - slew speed, 71
 - tear-off position, 72
 - time, 33
 - printhead
 - cleaning, 111
 - cleaning interval
 - how to specify, 80
 - user menu item, 23
 - life expectancy
 - how to specify, 80
 - user menu item, 23
 - pressure adjustment, 106
 - when to clean, 110
 - protocol
 - how to change, 96
 - user menu item, 28
- ## R
- radiation exposure limits, 4
 - Real-Time Clock (RTC)
 - date, 86
 - date setting on control panel, 33
 - time, 86
 - time setting on control panel, 33
 - recycling printer parts, 113
 - reflective media sensor, 103
 - reflective sensor
 - selecting through user menu, 21
 - ways to select, 93
 - registration loss during printing, 116
 - relative humidity
 - operating and storage, 142
 - storing the print engine, 45
 - reload last saved settings, 84
 - remove shipping materials, 42
 - replacement parts, 113
 - report shipping damage, 42

- reprint mode
 - how to set and use, 79
 - user menu item, 31
- requirements for installation, 46
- reset network settings
 - user menu item, 35
 - ways to reset, 90
- reset printer to default values, 84
- restore
 - factory default settings, 17
 - network settings, 17
 - printer or printer default values, 84
- RFID**
 - how to select RFID mode, 73
 - “smart” labels, 37
 - troubleshooting, 120
- ribbon**
 - adhesive test, 40
 - broken or melted ribbon, 119
 - determining coated side, 39
 - removal, 101
 - ribbon not detected correctly, 119
 - ribbon slips or does not advance, 119
 - scratch test, 40
 - setting print method to Thermal Transfer mode, 74
 - when to use, 39
 - wrinkled ribbon, 119
- ribbon length for early warning, 22
- ribbon low mode
 - how to enable or disable, 79
 - user menu item, 31
- ribbon low output
 - how to enable or disable, 79
 - user menu item, 31
- ribbon sensor
 - adjusting, 103
 - when to clean, 110
- ribbon sensor calibration
 - procedure, 97
 - user menu item, 26
 - ways to initiate, 85
- ribbon tension
 - how to set, 77
 - user menu item, 29
- right-hand print engine orientation, 12
- roll media, 37
- run a ZBI program
 - START PROGRAM user menu item, 33
 - ways to run, 86

S

- schedule for cleaning, 110
- scratch test
 - media type, 39
 - ribbon coated side, 40
- self tests, 131
 - CANCEL, 132
 - communications diagnostics, 138
 - FEED, 134
 - FEED and PAUSE, 137
 - PAUSE, 133
 - Power-On Self Test (POST), 131
- sensor profile
 - how to print, 82
 - user menu item, 26
- sensor type
 - user menu item, 21
 - ways to select, 93
- sensors
 - adjustment, 102
 - interpreting sensor profile, 139
- serial communications
 - user menu item, 27
 - ways to set, 94
- serial port
 - characteristics of serial connection, 54
 - location, 53
- setup, 41
 - remove shipping materials, 42
 - unpack the print engine, 42
- shipping
 - report damage, 42
 - reshipping the printer, 45
- SHORT CAL**
 - how to set as power-up action, 83
 - how to set for head-close action, 83
- slew speed
 - how to select, 71
 - user menu item, 19
- “smart” labels, 37
- smudge marks on labels, 117
- specifications
 - power cord, 58
 - print engine specifications, 141
- start print signal
 - how to change, 74
 - user menu item, 20
- storing the print engine, 45
- subnet mask
 - user menu item, 34
 - ways to view or set, 89

T

tag stock, 37

Tear-Off mode

- how to select, 73
- select print mode through user menu, 20
- tear-off bar cleaning, 110

tear-off position

- how to adjust, 72
- user menu item, 20

temperature

- operating and storage, 142
- storing the print engine, 45

Thermal Transfer mode

- how to specify, 74
- media scratch test, 39

time setting, 33

toggle positioning, 104

transmissive (media) sensor

- adjusting, 102
- when to clean, 110

transmissive sensor

- selecting through user menu, 21
- ways to select, 93

troubleshooting

- communications problems, 128
- diagnostic tests, 131
- error messages, 123
- print quality problems, 116
- RFID problems, 120
- ribbon problems, 119

types of media

- black mark media, 38
- continuous roll media, 38
- fanfold media, 38
- how to specify, 74
- non-continuous roll media, 38
- perforated media, 38
- RFID “smart” labels, 37
- setting on control panel, 20
- tag stock, 37
- web media, 38

U

unpack the print engine, 42

USB port

- characteristics of USB connection, 54
- location, 53

V

vertical drift in top-of-form position, 117

W

web media

- described, 38

wired print server

- characteristics, 55

wireless print server

- characteristics, 56

wrinkled ribbon causes, 119

Z

Zebra Basic Interpreter (ZBI)

- run a ZBI program

 - ways to run, 86

- START PROGRAM user menu item, 33

Zebra protocol, 96

ZPL mode

- user menu item, 29
- ways to select, 92



Zebra Technologies Corporation

Zebra Technologies Corporation
475 Half Day Road, Suite 500
Lincolnshire, IL 60069 USA
T: +1 847 634 6700
Toll-free +1 866 230 9494
F: +1 847 913 8766

Zebra Technologies Europe Limited

Dukes Meadow
Millboard Road
Bourne End
Buckinghamshire, SL8 5XF, UK
T: +44 (0)1628 556000
F: +44 (0)1628 556001

Zebra Technologies Asia Pacific, LLC

120 Robinson Road
#06-01 Parakou Building
Singapore 068913
T: +65 6858 0722
F: +65 6885 0838

<http://www.zebra.com>



www.logiscenter.com
902 050 030



www.logiscenter.it
02 479 216 97



www.logiscenter.de
info@logiscenter.de



www.logiscenter.pt
308 800 842

About LOGISCENTER

Grupo Logiscenter is the leading provider in Europe of automatic identification and data capture equipments. Our products include barcode printing and reading devices, mobile computing devices, wireless access points, identification cards, and consumables.

Reasons to work with us

Our customers come first. Our objective is not only selling our products but also holding a long-lasting relationship with our customers, based on the benefits and advantages we create for you and your company.

The best brands. We offer products from the best manufacturers worldwide.

Expert technical support team. Our support staff are experts in the products we sell. But not just the products, they can tell you the best solution for your particular problem or need.

Largest stock. We have a permanent stock of more than 12,000 products.

Same-day shipping. For all orders placed and confirmed before 16:00 on working days.

Best prices. With Logiscenter, you can be sure that you are paying a fair price for your products we will not overcharge you.

Easy returns. Damaged or defective products can be returned easily, for an exchange or reimbursement.

Our Brands



MOTOROLA



Intermec®

Honeywell®

DATALOGIC™



datamax·o'neil

Metrologic

LXE

EPSON®

elo

star^{sk}

unitech

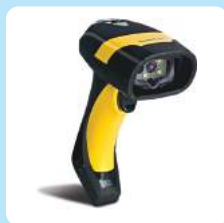
PRINTRONIX

symbol®

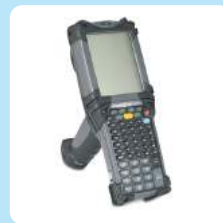
Solutions for: Industry • Consumer • Mobility Transportation and Logistics • Retail • Health



Label printers



Barcode readers



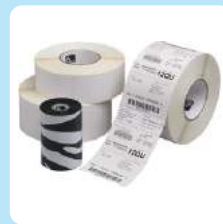
Data terminals & PDA



PVC card printers



RFID



Consumables
(labels, ribbons, PVC cards)



All Brands
Technical Service