

# zencontrol

# Room controller

# Room controller

- The room controller provides a new way to install lighting
- Zero commission base builds (standard features)
- Installed in the field



# Room controller, RCM

The zencontrol room controller provides power distribution and automatic grouping via its 10 channel output. With support for up to three input power circuits the room controller can supply up to 3 x 16 A.

## Includes

- DALI 2.0 power supply
- DALI 2.0 application controller
- Ethernet 10 / 100
- 10 room control outputs
- 10 DALI relays (240V 10A max. AC1)
- 10 SELV switch inputs
- 2 volt-free SELV relays
- RS232 interface



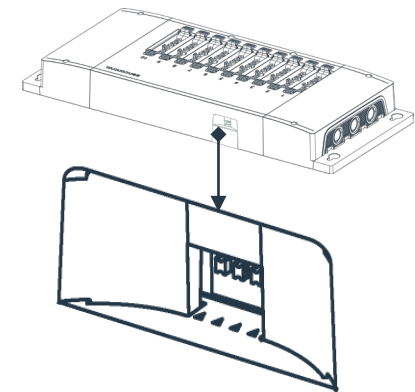
# New builds with zencontrol

## Out of the box

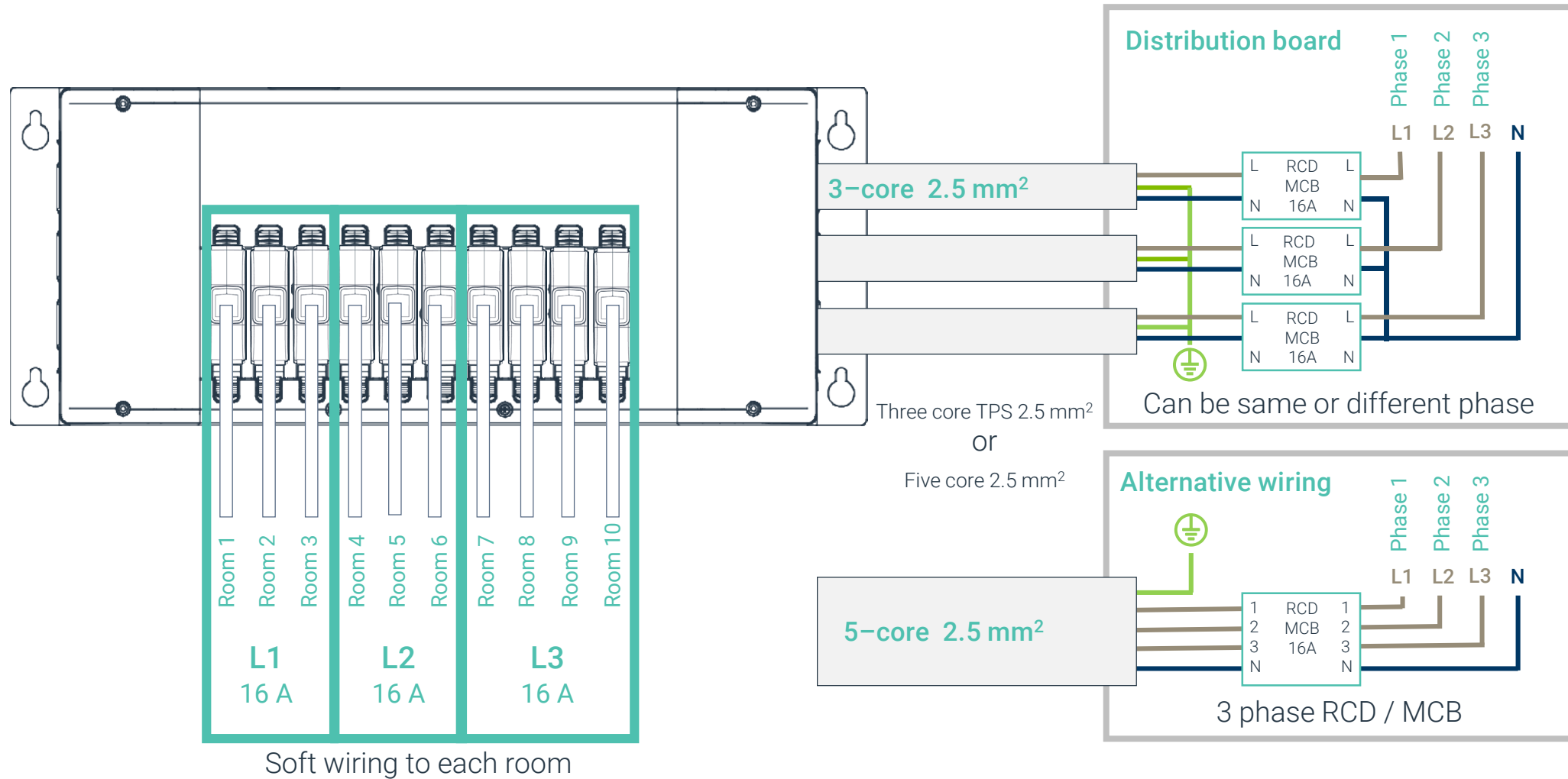
- 30 minute time out on sensors
- Room areas automatically grouped by output
- Devices addressed & setup
- Sensors work in presence mode
- Switches and sensors work together in a room automatically
- Switch has on/off and dimming control

## Before installation, dip switch settings can be adjusted to change between

- Absence and presence
- 4 time settings
- Standard single profile, or smart building profile



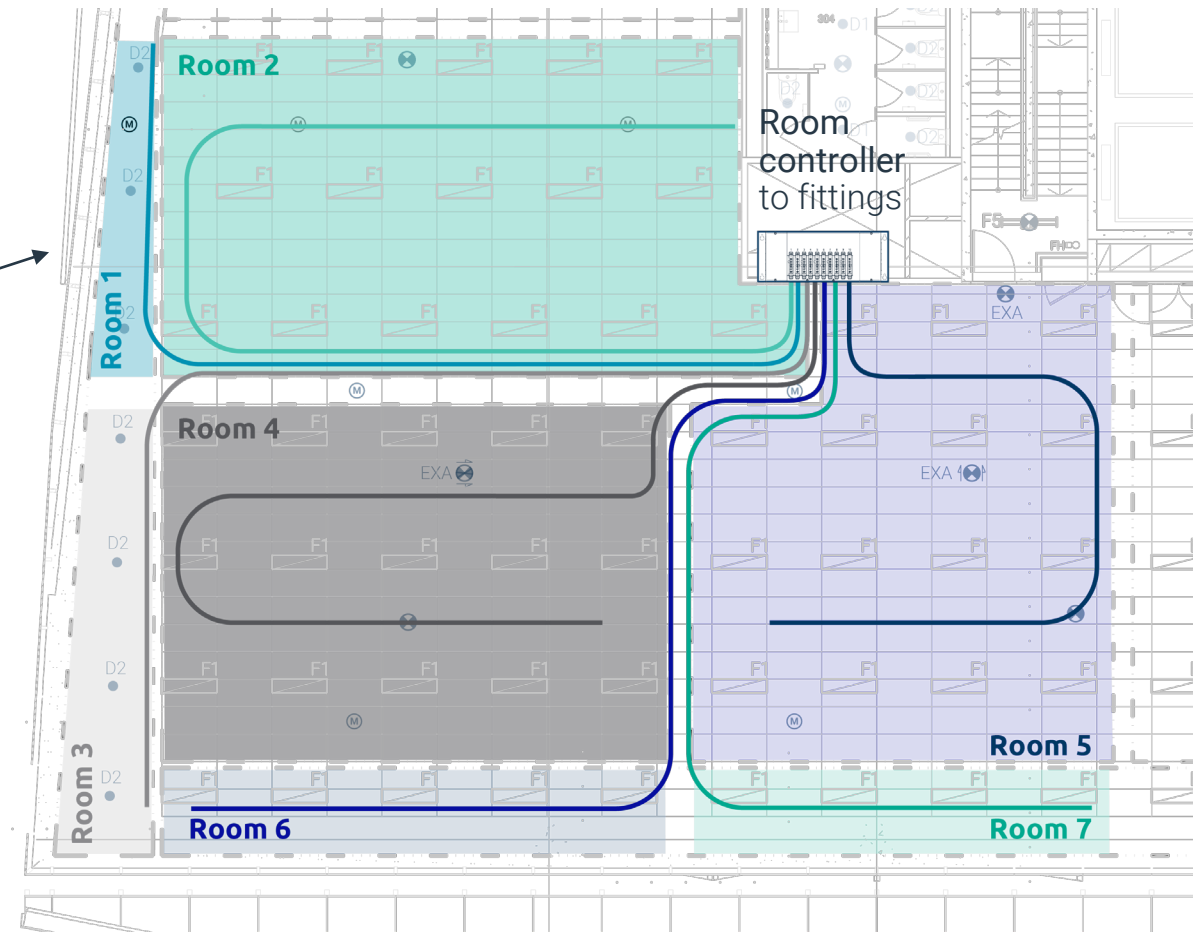
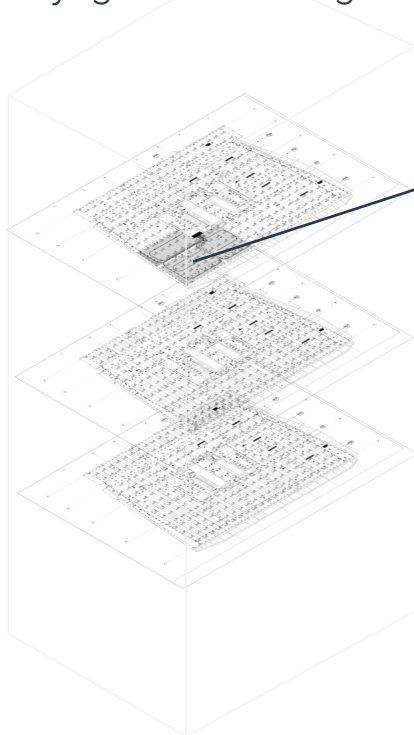
# Room controller wiring



# Room wiring

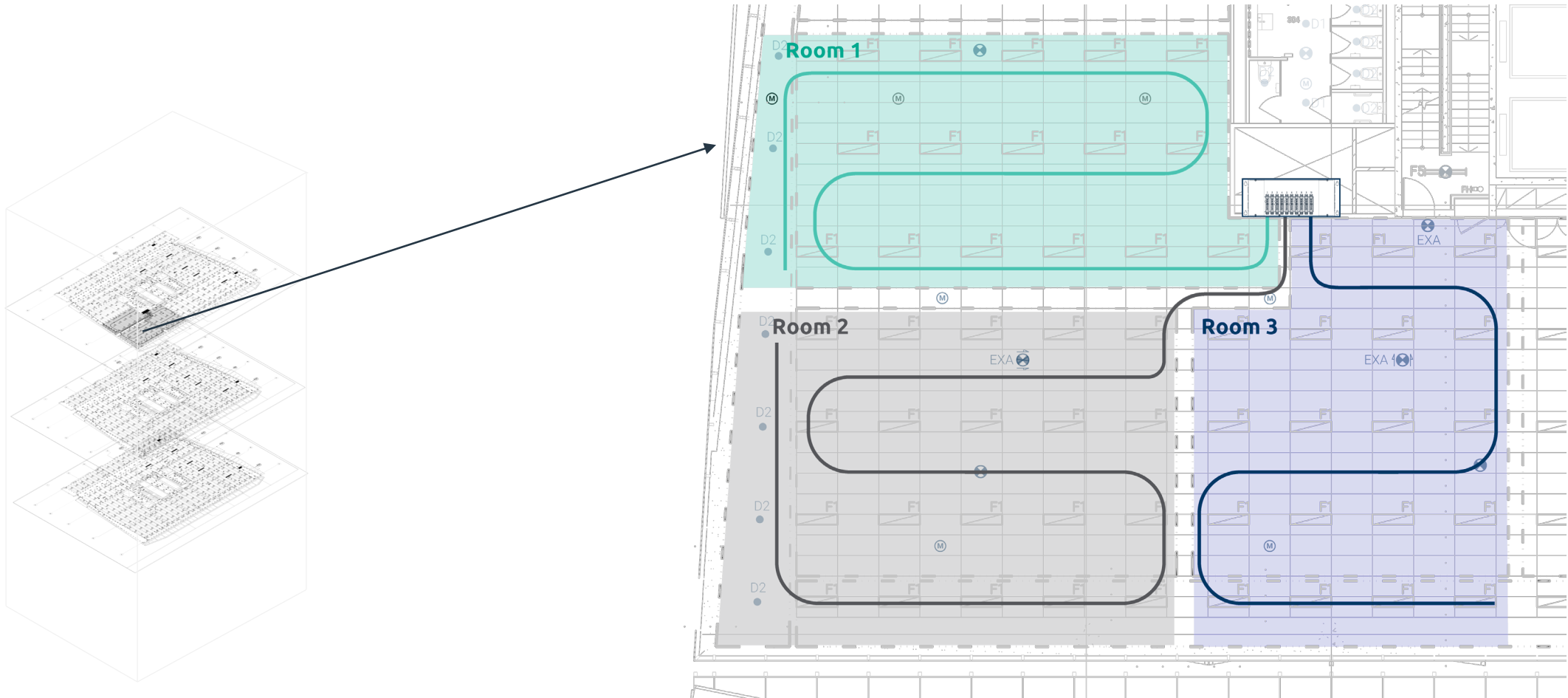
Each room is wired independently to the Room controller

Wiring for automatic grouping for daylight harvesting



# Room wiring

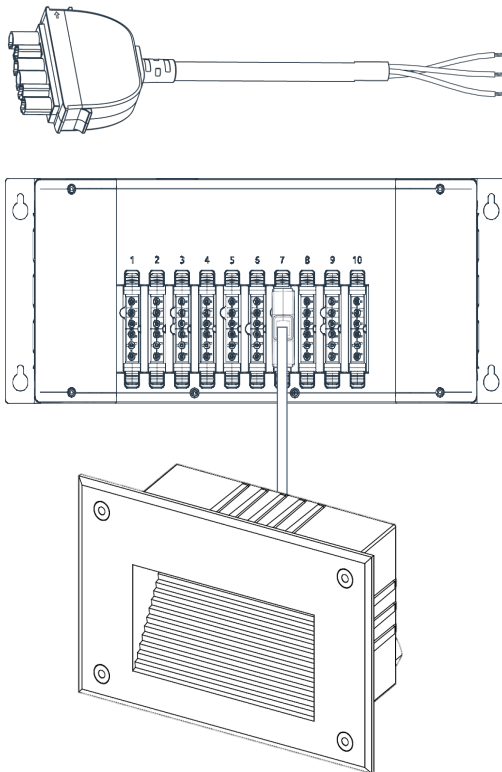
Alternative wiring





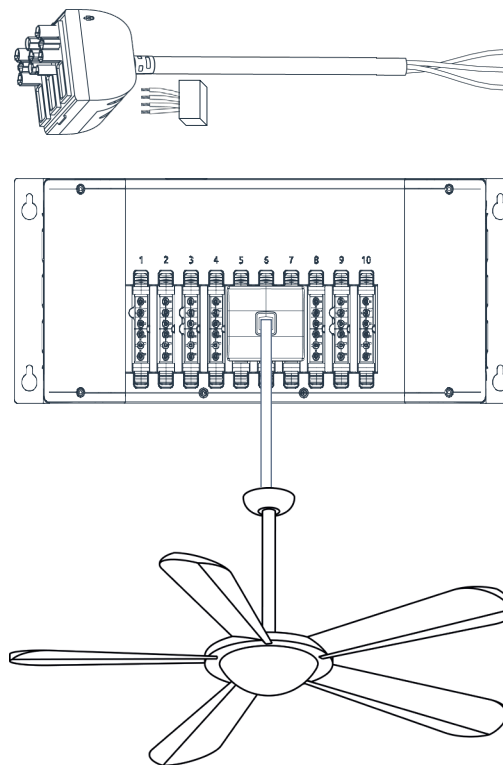
# Optional accessory wiring

## Non-DALI loads



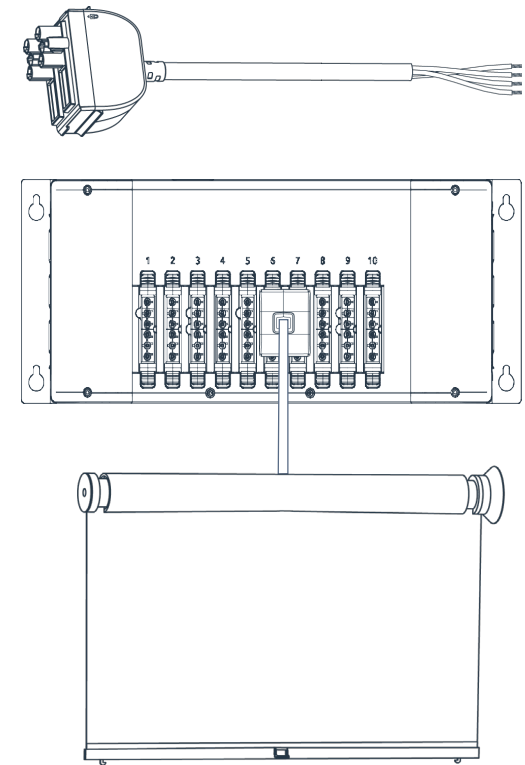
## Fan control

AC fan control motors up to 240 V 1A. 3 speed



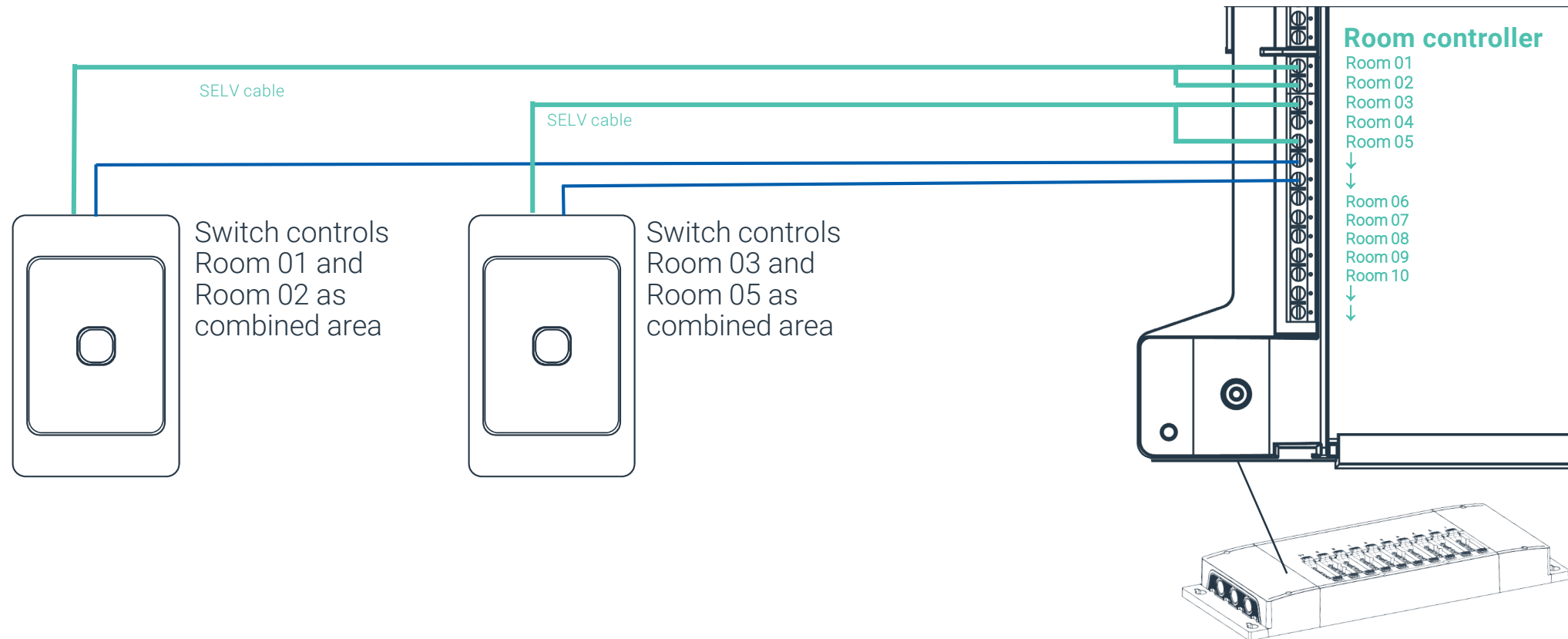
## Blind / motor control

AC blind control motors up to 240 V 1A  
(Available on *zc-blind* only)



# Optional switch wiring

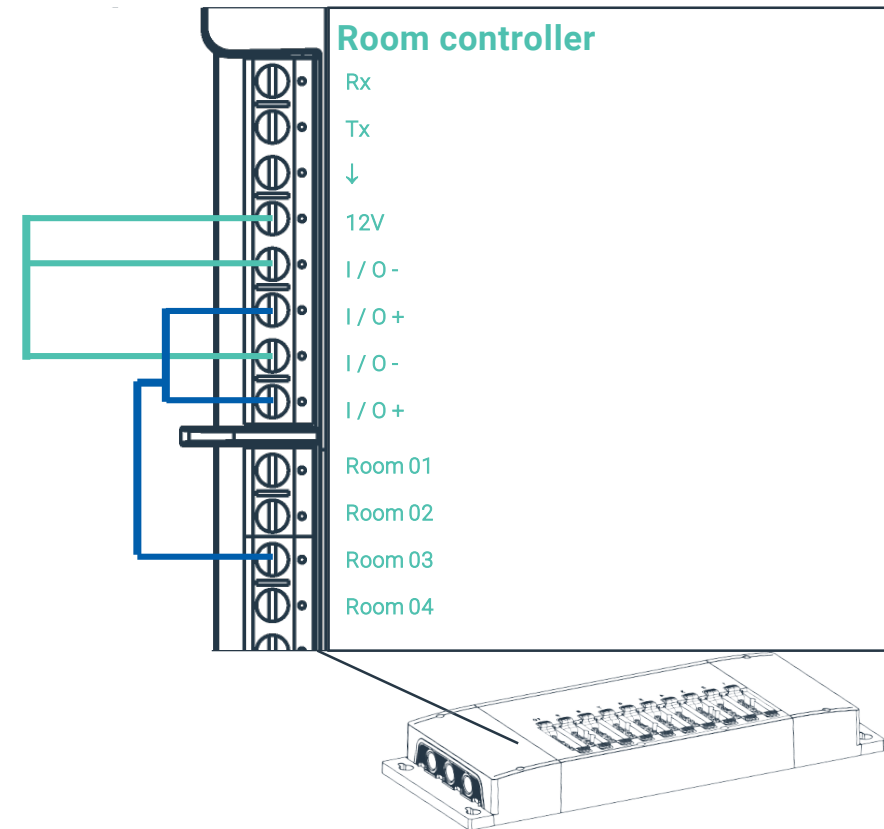
Group rooms together to operate as combined area



## Optional simple corridor hold

By default the two SELV relays are setup in Room 01 and Room 02 respectively. These will act as DALI relays in the room, when the room is on the output will also turn on.

If the output is wired to the corridor room, then when Room 01 or Room 02 are occupied the corridor (Room 03) will also be held on.

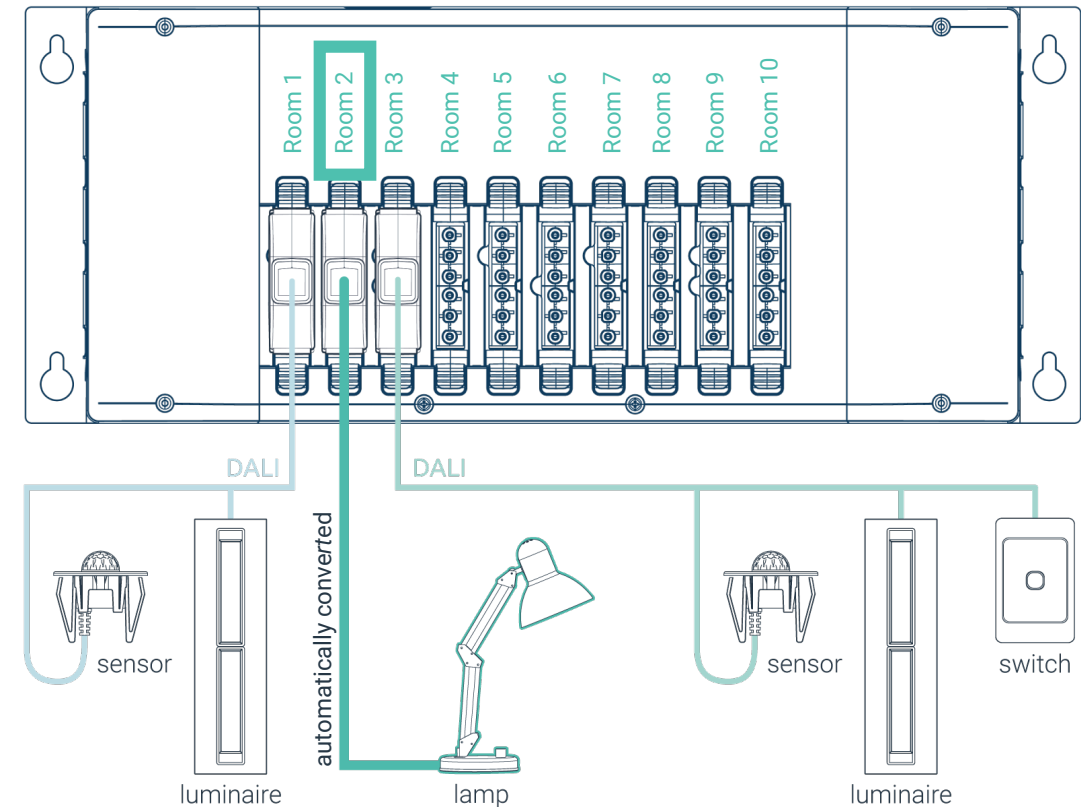


# Automatic DALI relays

The RCM will automatically turn rooms with no DALI devices into DALI relays (240V 10A max)

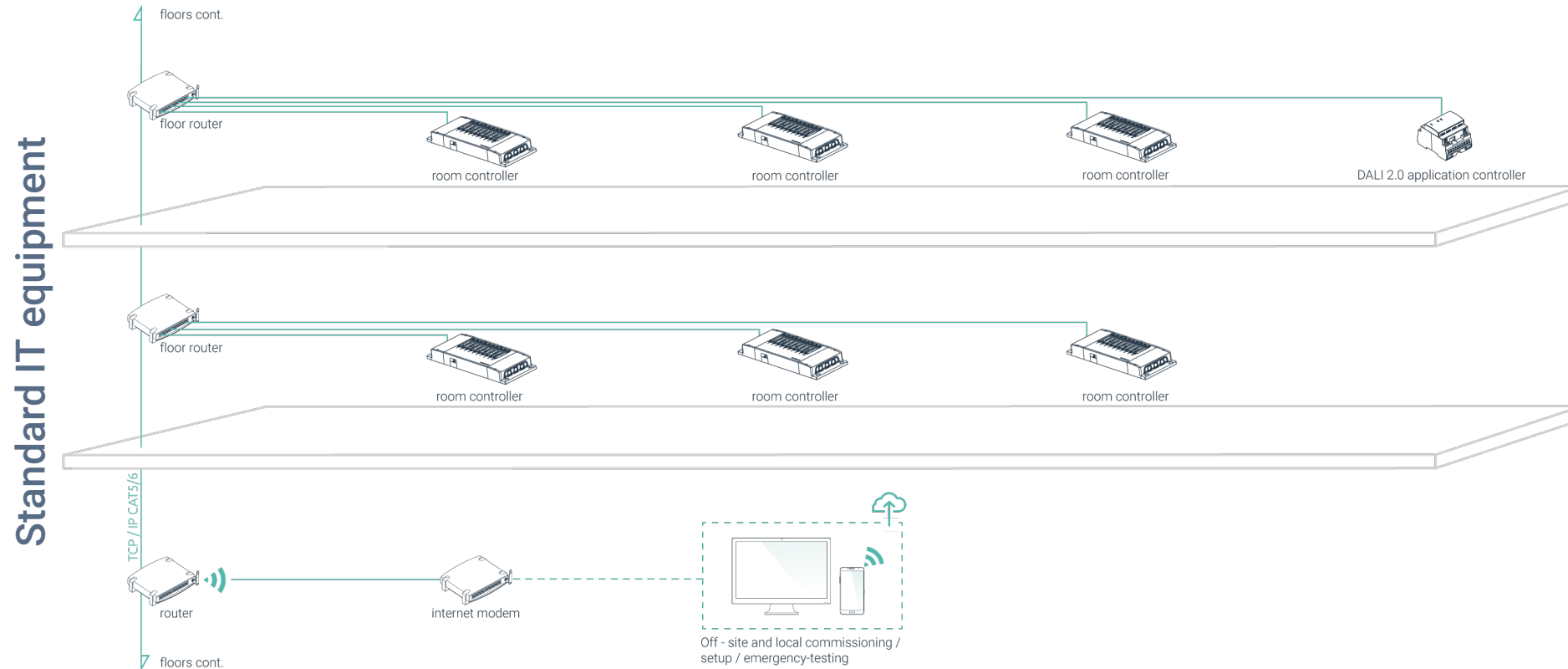
DALI relays will be assigned into the previous room which will allow automatic control with DALI switches and sensors

Allows for the addition and setup of non-DALI lighting easily



# Building backbone

Fast 10/100 TCP/IP interfaces need to be connected to all RCMs and DALI 2.0 application controllers



# DALI fault protection

## Problem

- Typically, a DALI fault, that shorts a line will cause a control failure on the entire DALI line
- A DALI short will leave the entire line in a failure state until the installer fixes the issues
- Some conditions which can cause this failure
  - Poor wiring
  - Broken device
  - Bad firmware or product
- A DALI short is sometimes hard to find
  - Where is the fault (up to 300 metres of cable)?
  - What device is causing it (up to 128 devices to isolate)?



# Solution

- Our RCM has smarts built in which can identify a DALI short
- The RCM can isolate the room with the fault
  - Allows all other rooms to continue to function
  - Reduces the fault finding time (the area is broken down into rooms)
- The RCM periodically checks that the fault has been rectified and re-enables the room when the fault is fixed



# Through life maintenance

## Problem

- Faults or failures of light fittings occur from time to time
- Most systems require a technician to fix or replace the light fittings  
In some cases they require both a technician and an electrician
- Most systems will not control the repaired lighting until the technician has recommissioned the device
- With most systems re-commissioning is expensive





# Solution

- Buildings using RCM's are easier to maintain
- When a light fitting is replaced, the system will automatically
  - Address the replaced fitting
  - Assign the fitting to the room
  - Setup the new fitting to work with sensors and switches in the room
- For most installations the users and tenants will see the device as working correctly as soon as it is replaced
- No commissioning is required to get to this state
- Multiple devices can be replaced at once



# Work-station control

## Problem

- Giving users individual control is difficult, costly and time consuming
- Users want to control lighting and blinds to their own requirements
- A switch is not always present



# Solution

## Room control + USB interface

- Installing a zencontrol USB interface into a room can give users control of lighting devices and blinds in that room
- Simple wiring on DALI line.
- Does not require IT commissioning or setup (excluding installing the software)
- Works out of the box



# Features

- A user can create custom switches and scenes on their computer
- Rearranging or moving computers does not require extra commissioning
- Move to another room and control the new room

