



**MZ
MODEL**



ZERO-TURN MOWER OWNER'S, SERVICE & PARTS MANUAL

For additional information, please see us at
www.badboymowers.com

Bad Boy, Inc.
102 Industrial Drive
Batesville, Arkansas 72501
(870) 698-0090

TABLE OF CONTENTS

Basic Information.....	Section 1 (pages 3, 4)
Bad Boy Safety Guidelines	Section 2 (pages 5, 6)
Operation	Section 3 (pages 6, 7)
Maintenance	Section 4 (page 7)
Storage and Transportation	Section 5 (page 8)
Troubleshooting and FAQ.....	Section 6 (pages 8–9)
Controls	Section 7 (pages 9)
Moving Inoperable Mower	Section 8 (page 10)
Blade Maintenance and Cutting Tips.....	Section 9 (page 10–11)
Greasing Bearings.....	Section 10 (pages 11)
How to choose the right blade	Page 12
Mowing Tips	Page 20

SERVICE SECTION BEGINS ON PAGE 13
PARTS SECTION BEGINS ON PAGE 21



This manual applies to the following equipment:

Bad Boy MZ Series

- MZ 42" 21 hp Briggs
- MZ 48" 27 hp Briggs
- MZ 42" 22 hp Kawasaki
- MZ 48" 26 hp Kawasaki

COMMONLY USED ITEMS AND PART NUMBERS

42" MZ Blade	Hi-Lift Fusion 038-4221-00	Gator Blade 038-4222-00	
48" MZ Blade	Hi-Lift Fusion 038-4826-00	Gator Blade 038-4821-00	Wave Blade 038-4825-00
42" MZ Deck Belt	041-0120-00		
48" MZ Deck Belt	041-6027-00		
MZ Pump Belt	041-6400-00		
Oil Filter	Briggs 21 hp 063-2004-00	Briggs 27 hp 063-2004-00	Kawasaki Engine 063-2096-00
Air Filter	Briggs 21 hp 063-4026-00	Briggs 27 hp 063-4000-00	Kawasaki Engine 063-2097-00
Motor Oil	10w30 (2 quarts)		
Hydro Oil	20w50 (not serviceable)		

SECTION 1: BASIC INFORMATION

Congratulations on the purchase of your new Bad Boy Mower! The purpose of this manual is to assist operators in maintaining and operating their machine. The information and instructions in this manual can help you attain years of performance from your new Bad Boy. Also, check out our website to learn more about the Bad Boy family.

- 1.1 All Bad Boy engines use 10W30 engine oil. Conventional or Synthetic may be used.
- 1.2 All Bad Boy hydraulic systems use 20W50 engine oil. Conventional or Synthetic may be used.
- 1.3 All Bad Boy Mowers use hi-temp multi-purpose grease. NLGI No. 2 for the grease fittings.
- 1.4 MZ models have 12 psi in both front and rear tires.
- 1.5 Most Briggs, Kohler, Kawasaki, and Vanguard engines hold two (2) quarts of motor oil.

Warranty Registration

The Warranty Registration form must be completed and signed to validate your warranty. As the new equipment owner, you are expected to see that the form is completed and forwarded to Bad Boy, Inc., at time of delivery. Warranty is non transferable.

Model/Serial Number

Your MZ model serial numbers are found on the SIN plate underneath seat. The serial numbers are necessary on the warranty registration form. Also, these numbers can assist you in the ordering of new parts when replacements become necessary.

Parts/Service

Only Bad Boy replacement parts are to be used on your mower. Replacement parts are available through your local Bad Boy Mower Dealer. Remember to always provide the following information when ordering parts:

1. Correct part number
2. Correct serial number

All warranty repair and service must be handled through your authorized Bad Boy Mowers dealer. To locate the nearest dealer, go to our website and click on Locate a Dealer.



SECTION 2: MOWER SAFETY GUIDELINES

Never allow untrained people to operate this machine. It is the owner's responsibility to get training and see to it that anyone who has permission to use your machine receives the proper training.

Do not mow around people. The factory discharge chute is designed to deflect debris downward, but it could be possible for debris to be thrown in a way that can cause damage to people or property.

Seek additional training when possible to learn more about safety techniques and practices.

SAFETY PRECAUTIONS

- 2.2 Always remain seated while operating machine.
- 2.3 Always maintain a safe distance from people and pets while mowing.
- 2.4 Always disengage blades, place steering controls in neutral, engage parking brake, and remove ignition key when leaving operators seat.
- 2.5 Always operate machine in daylight or with adequate working lights.
- 2.6 Be alert of surroundings. Watch for rocks, stumps, and mounds or depressions while mowing.
- 2.7 Always wear eye protection while mowing and servicing.
- 2.8 Always wear ear protection, such as earplugs, while mowing.
- 2.9 If you strike something with the mower turn the blades and mower off, engage the parking brake, and inspect the machine for damage before resuming.
- 2.10 Be aware of low hanging limbs or objects that could potentially be hazardous while mowing.
- 2.11 Never operate a poorly maintained machine.
- 2.12 Never carry passengers.
- 2.13 Always buckle seat belt, if provided one.
- 2.14 Never attempt high speed maneuvering, especially around people or property.
- 2.15 Never put hands or feet under the machine while ignition is on.
- 2.16 Never refuel machine when engine is running.
- 2.17 Never leave key in ignition, especially around children.
- 2.18 Never run engine in enclosed area.
- 2.19 Do not touch hot parts of machine.
- 2.20 Do not remove deck wheels.
- 2.21 Conditions that can affect traction resulting in the loss of control of machine: Wet terrain, Hills or extreme angles, Depressions in the ground, Mounds of dirt, Extremely dry grass, Soil type (gravel, sand, clay), Tire pressure
- 2.22 Be aware of what is located at the bottom of slopes. For example, Rocks, Water, Cliffs, Roads and Highways

2.23 Safety warning decals are located on the mower and should always be observed and followed.

- 2.24 Never operate the mower with the discharge chute open.
- 2.25 Prevent Fires—Remove grass and debris from engine compartment and muffler area, before and after operating machine, especially after mowing or mulching in dry conditions.
- 2.26 Do not store machine near open flame or source of ignition, such as a water heater or furnace.
- 2.27 Do not attempt to mount a tire without the proper equipment and experience to perform the job.
- 2.28 Always maintain the correct tire pressure. Do not inflate the tires above the recommended pressure. Never weld or heat a wheel and tire assembly. The heat can cause an increase in air pressure resulting in a tire explosion. Welding can structurally weaken or deform the wheel.
- 2.29 Never operate machine in a closed area where dangerous carbon monoxide fumes can collect.
- 2.30 Let engine cool before storing!!!
- 2.31 Park machine on level ground. Never allow untrained personnel to service machine. Understand service procedure before doing work.

SECTION 3: MOWER OPERATION

Never operate the machine with faulty equipment. Always be alert of sudden changes in landscape, as the mower will react differently on slopes or embankments than it will on flat surfaces. Never operate the mower with the discharge chute open. Do not cross terrain, other than grass, with blades turning. This could cause damage to property or bystanders.

- 3.1 Place parking brake in up position
- 3.2 Drive arms must be in the “open” position. While sitting on the machine, each arm is positioned away from the operator, to the right and left. Drive arms will lock into place and must be in this position to start machine.
- 3.3 Put PTO switch in the OFF position.
- 3.4 If your machine has been equipped with a ROPS (Roll Over Protection System) then you must fasten seatbelt.
- 3.5 If machine has not been started recently, engage the choke.
- 3.6 Make sure nothing is under or around machine.
- 3.7 Place key in ignition and turn.
- 3.8 Once machine is started, disengage the choke.
- 3.9 Increase RPM by sliding the throttle to fast position, toward the rabbit.
- 3.10 Owners must become familiar with the controls before operating a zero-turn radius vehicle.



- 3.11 Start slowly and build your skill level. Have ample practice before using the machine at full capabilities.
- 3.12 Be comfortable with machine before engaging blades. Know what each component controls before using machine.
- 3.13 Your mower will perform differently on an incline /decline. Be cautious, slow down, and do not make any sudden jerking movements with control arms. The machine could lose traction on a decline or tip backwards on an incline.
- 3.14 Once you become comfortable with your Bad Boy Mower you will notice your overall mowing time will decrease.

Avoid operating your mower on side hills of over 5 degrees, inclines of over 10 degrees, and declines of over 15 degrees.

SECTION 4: MOWER MAINTENANCE

***Check each and provide maintenance when needed.*

DAILY

- 4.1 Check Engine Oil
- 4.2 Check Engine Air Filter
- 4.3 Tire Pressure
- 4.4 Inspect Blades

Within FIRST five hours of usage, change engine oil and filter

EVERY 30 HOURS OF USAGE

- 4.5 Grease Machine

EVERY 50 HOURS OF USAGE

- 4.6 Change Engine Oil and Filters

Check filters once a year if under 50 hours

Check air and fuel filters more often in dry, dusty conditions

SECTION 5: MOWER STORAGE & TRANSPORTATION

- 5.1 Keep machine from collecting debris by storing in a covered area while not in use.
- 5.2 Fuel can harm your machine if left for more than 30 days without changing, especially if the fuel contains ethanol. Never use fuel with more than 10% ethanol by volume. E-15 is not permitted.
- 5.3 Disconnect the negative battery cable when machine will be stored for more than 30 days.
- 5.4 Always secure machine properly when transporting machine.
- 5.5 Do not load machine on trailer with blades engaged.
- 5.6 Do not use ramps to load the machine.
- 5.7 Make sure Parking Brake is in “up” position.
- 5.8 In wet conditions tires may spin while loading / unloading. If necessary, wait for dry conditions before loading / unloading.
- 5.9 Make sure mode of transportation is suitable to bear the weight of mower.
- 5.10 Deck height should be set at maximum before attempting to load.
- 5.11 Secure mower with at least two straps capable of securing weight of mower.

SECTION 6: TROUBLESHOOTING

- 6.1 **Q: *How should I prepare my Bad Boy Mower for the off season?***
- 6.1 **A:** When preparing for any down period of 90 days or more, the most important thing is proper fuel preparation. Use a fuel stabilizer in your final tank of fuel or run dry. Choke and repeatedly crank engine until it will not start. This will decrease the potential for varnish or gum deposits forming in your system.

- 6.2 **Q: *How do I prevent an uneven cutting pattern and increase the quality of cut?***
- 6.2 **A:** Check tire pressure, check blade sharpness (replace blades or sharpen at least once per year or when needed), make sure blades are tightened properly, check spring and belt tension, check the underside of the deck to ensure the mower deck is free of grass build-up and debris, make sure your machine is at full throttle, and vary your mowing pattern each time you cut your grass.

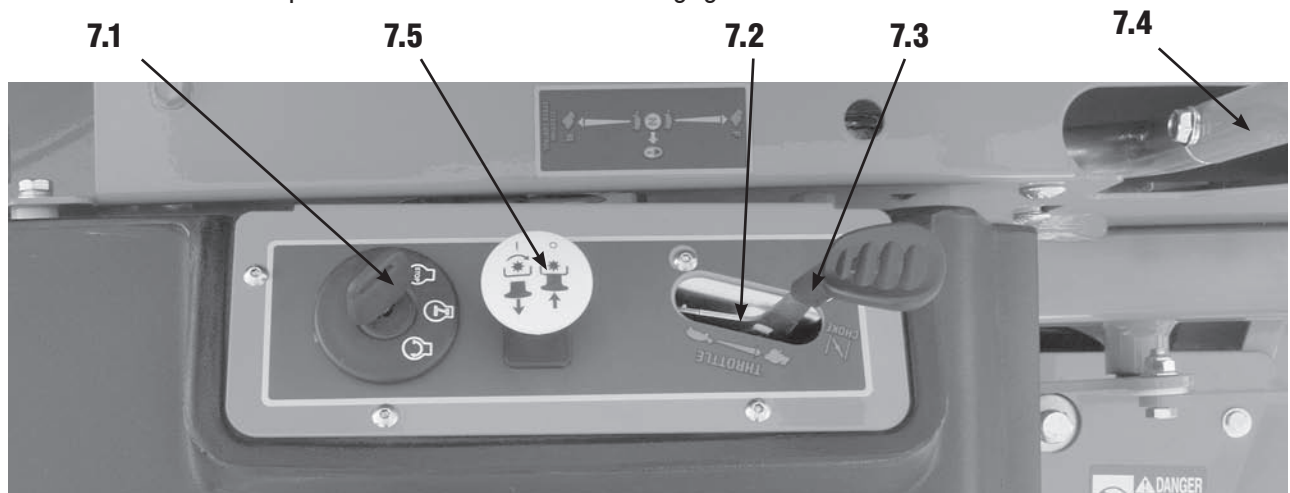
- 6.3 **Q: *What should I do if my mower won't start?***
- 6.3 **A:** Check battery charge and connection (grounds), check your fuel (make sure fuel is less than 30 days old and contains no water), make sure your spark plug is in good condition and spark plug wire is attached, and make sure air filter is clean (a dirty filter makes it more difficult for the engine to draw air). Check for broken wires or bad connections.



- 6.4 **Q: What should I do if the blades won't engage?**
- 6.4 **A:** Make sure the safety switch is plugged in on the bottom of seat. Check the underside of the PTO engager to ensure the plug is secure at switch.
- 6.5 **Q: What type of fuel is recommended for my mower?**
- 6.5 **A:** We recommend that you use a name brand fuel to ensure quality. Use fuel with an octane rating near 87. Higher octane fuels offer no benefit. Only fuels with an ethanol content of 10% or less may be used. E-15 is not permitted.
- 6.6 **Q: Do you offer touch-up paint for your mowers?**
- 6.6 **A:** Touch-up paint is available. Contact your local dealer for more information.

SECTION 7: CONTROLS

- 7.1 **Ignition Switch**—Bad Boy Mowers have a three position ignition switch: off, run, and start. With key inserted, rotate it clockwise to START position and release key when engine starts, and switch will automatically return to the RUN position.
- 7.2 **Throttle Control**—A cable is connected to the engine throttle for controlling engine speed. Move lever forward to increase engine rpm, move lever backward to decrease engine rpm.
- 7.3 **Choke Control**—Some MZ Models use the Choke-O-Matic system. In this case, the choke and throttle controls are operated by the same lever. With the lever pushed full forward, this will apply the choke. Pulling the lever back slightly will disengage the choke and will give the engine wide open throttle. DO NOT OPERATE WITH THE CHOKE APPLIED.
- 7.4 **Control Levers**—These levers control the mower's speed, direction, and neutral lock. These levers are used to steer, accelerate, decelerate and change direction. (Drive Arms)
- 7.5 **Blade Engage Switch**—This switch engages the blades. Pull the switch up to engage the blades and push the switch down to disengage the blades.



SECTION 8: MOVING INOPERABLE MOWER

- 8.1 If it is necessary to move mower when the engine is inoperable, the hydraulic drive pumps are equipped with bypass valves. Refer to service manual section for bypass valve location.
- 8.2 Do not tow machine. Use a winch to load on a trailer for transporting.
- 8.3 **ATTENTION:** RETURN BYPASS VALVES TO OPERATING POSITION BEFORE RUNNING MOWER FOLLOWING REPAIRS.
- 8.4 Your Bad Boy Mower Weighs: ***MZ SERIES:*** ***585—602 lbs***
**** Weights fluctuate with the addition of accessories.*
- 8.5 As you can see by the weights of the machines, you shouldn't ever try to push or pull a Bad Boy Mower by hand. This could cause serious bodily injury.
- 8.6 Hopefully, you'll never need to use this section of the manual. However, if you do, use extreme caution when moving machine!

SECTION 9: MOWER BLADE MAINTENANCE

- 9.1 Check mower blades after each use. This is essential for maintaining well-groomed turf. Keep the blades sharp. If a dull blade is used for cutting, the grass will tear rather than cut. This could damage the grass leaving a brown frayed top on the grass within a few hours. A dull blade will also require more power from the engine.
- 9.2 NEVER attempt to straighten a bent blade by heating. NEVER attempt to weld a cracked blade. The blades can break and cause serious injury or death.
- 9.3 NEVER work with blades while engine is running or deck clutch is engaged.
- 9.4 ALWAYS place deck clutch in DISENGAGE position while performing maintenance.
- 9.5 Use blocks when you MUST work under mower.
- 9.6 ALWAYS wear thick gloves when handling blades.
- 9.7 ALWAYS check for blade damage if mower strikes rock, branch, or other objects that could potentially damage the blade. **(REMEMBER: NEVER CHECK BLADE WHILE ENGINE IS ON! NEVER CHECK BLADES WHILE BLADES ARE ENGAGED!)**



SECTION 10: GREASING THE BEARINGS

- 10.1 Park the machine on a level surface and disengage the blade control switch.
- 10.2 Move the motion control levers outward to the neutral position, engage parking brake, stop the engine, remove the key, and wait for all moving parts to stop before leaving the operating position.
- 10.3 Grease Type: NLGI grade #2 multi-purpose gun grease. Grease the front cater pivots.
- 10.4 Clean the grease fittings with a cloth. Scrape any paint off the front of the fitting(s).
- 10.5 Connect a grease gun to each fitting. Pump grease in fittings until greases begins to seep out of the bearings. Wipe up excess grease.
- 10.6 Refer to service manual section for grease fitting locations.

HOW TO CHOOSE THE RIGHT BLADE

Essentially there are only TWO basic styles of mowing blades used or approved for use on our current products:

- 1) The standard style of mowing blade is essentially designed for cutting grass and effectively discharging the clippings out from the deck to fall onto the lawn or to be captured in a grass collection system. Standard blades are also referred to as “2-in-1” (discharging & bagging) or “high-lift” blades (because they are designed to create a higher-lifting airflow).
- 2) Mulching blades generally have a more curved style surface and frequently include extra cutting surfaces along the blade edges. These blades may also come in a “+” design (which is actually two individual blades arranged in a perpendicular fashion to enhance mulching). The “+” blades are usually found on older style mowers; newer ones utilize blades with more advanced mulching technology. Mulching blades may also be referred to as “3-in-1” (mulching, discharging & bagging) or “all-purpose” blades.

Bear in mind that the re-circulating airflow design of 3/1 blades makes them less efficient at discharging grass clippings than a standard 2/1 blade. As with most all-purpose tools, there is some give and take as opposed to using a tool designed for a more specific purpose.

If you’re experiencing less-than-desired cutting or discharging performance with a 3/1 blade, you may want to check into using a 2/1 blade. Conversely, if you’re using a 2/1 blade and want to mulch clippings, you should see about the availability of mulching blades or a mulching kit.*

The type of blade installed on a new mower is a decision the retailer makes for each model of mower, based on the expected needs of most customers. If you’re unsure of which blade is on a particular model, inspect the blade. Blades have part numbers stamped into them. Then compare these part numbers with the unit’s Operator’s Manual or Parts List.

It is true there are many other styles of blades available. But since we don’t manufacture or recommend using these other aftermarket styles, we will leave them out of this discussion. Should you want more information on special application or aftermarket blades, you should contact the companies that make these products. NOTE: Customers using non-OEM blades do so at their own risk. The use of unapproved (non-OEM) blades may void any or all of the mower and engine factory warranties.

* **MULCHING KITS** – These generally consist of mulching blades and a mulching plug (which closes off the discharge opening to keep the clippings contained under the deck for re-cutting) plus any necessary hardware for installation. Please check with your parts distributor regarding the contents of a particular mulching kit.



SERVICE SECTION

SECTION 1: HYDROSTATIC SYSTEM

The hydrostatic system on MZ models is a sealed lifetime transaxle system, so no maintenance is required.

Under the rear of the mower, you will find the two levers shown in the images. These bypass levers serve as a neutral for moving the mower without the engine running. Pull the levers out and lock them into place to activate the bypass.



When adjusting the tracking on the mower, the length of the pushrods can be changed by screwing the swivel joint in or out on the ends of the rods. Shortening the overall length of the rod slows the pump down. Lengthening the rod will increase the speed of the pump.

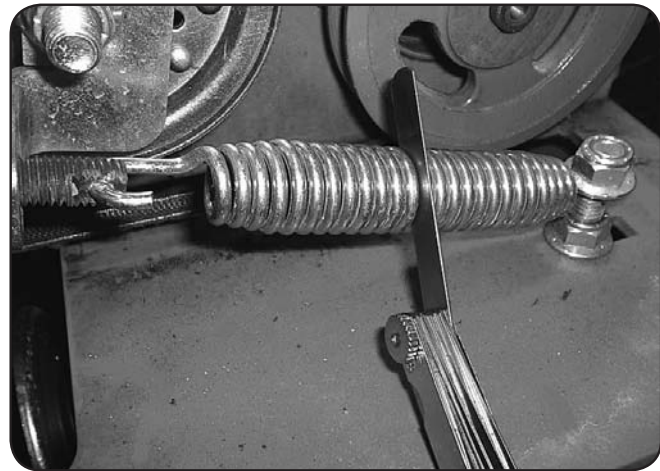


SECTION 2: DRIVE BELT

Shown to the right is the MZ pump belt tensioner. Tightening the two 3/4" jam nuts on the right side will increase the belt tension.



Factory setting is about .030" (about the thickness of a credit card) between coils as shown.





SECTION 3: ENGINE

Some models have a drain hose installed on the engine, for easier oil changes. All gas engines used by Bad Boy use 10w30 and have an oil capacity of 2 quarts. Bad Boy recommends that the oil and filter be changed every 50 hours of usage.



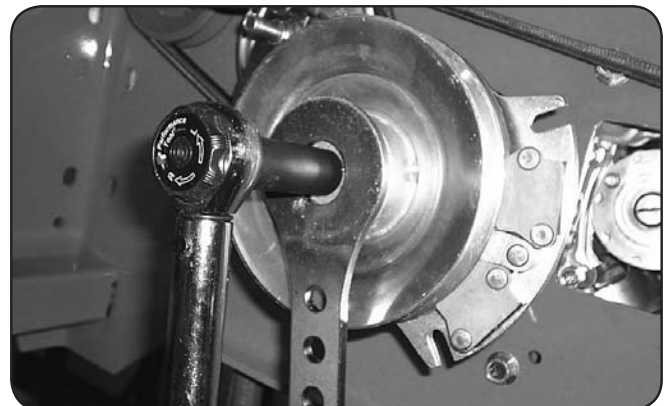
The fuel filter is located in the fuel line about 12" from the carburetor on the side of the engine. Note the direction of flow on the side of the filter. Replace once a year.



Remove and inspect air cleaner weekly. (More often in dusty conditions). Do not blow filter out with air pressure, this will cause the filter to be filled with tiny holes that will allow dirt to enter. Instead, tap filter on side to remove any debris. Replace at least once a year, more often in dusty conditions

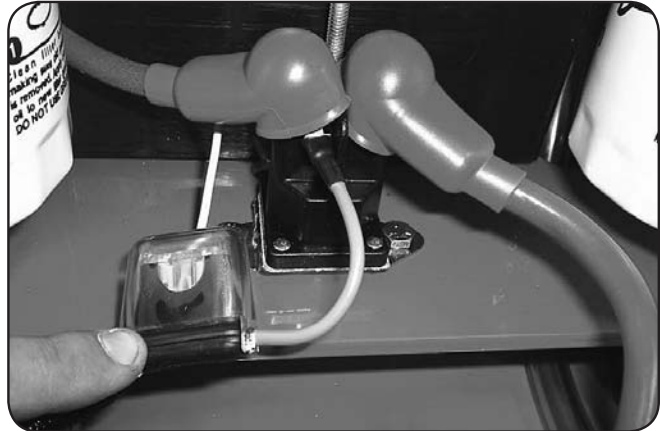


Torque the clutch bolt to 50 ft. Lbs. on all models.
Re-torque at every oil change.
(All Models)



SECTION 4: ELECTRICAL SYSTEM

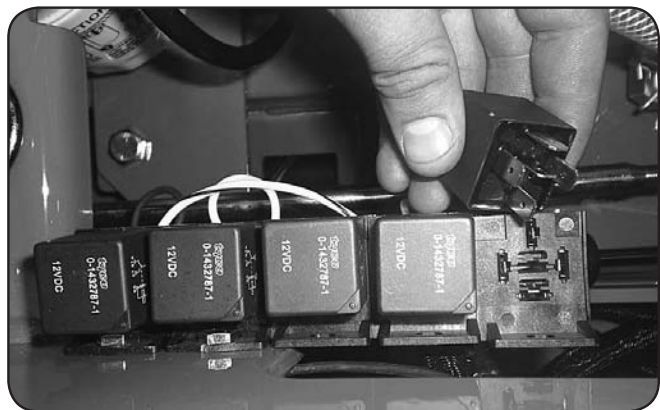
The 25 amp main fuse is located just behind the battery connected to the starter solenoid.

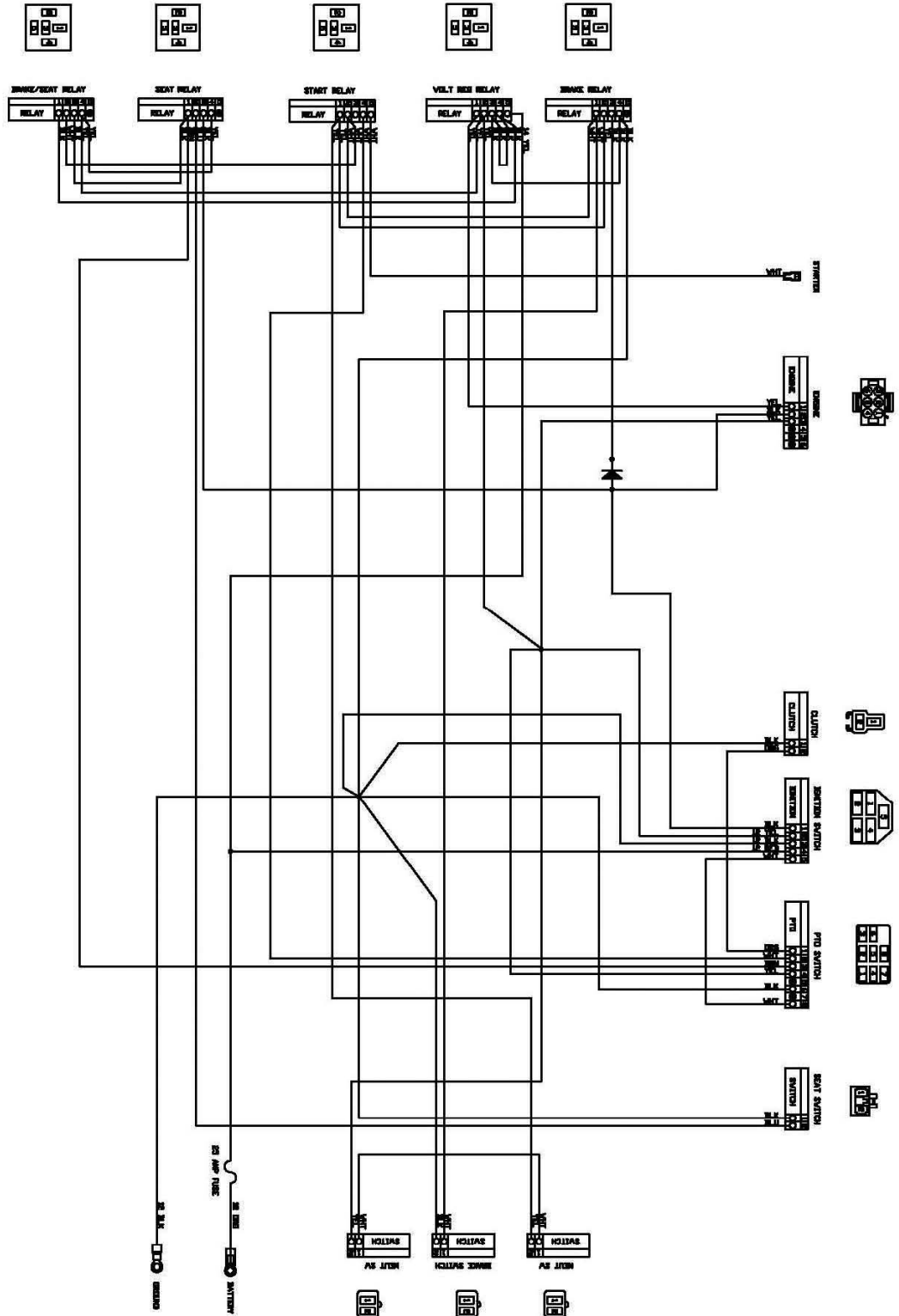


On most models, the red wire coming out of the engine is the charging wire from the alternator. Check for 13.6 - 14.2 volts dc at this wire with engine at full throttle.



Check the condition and connection of the relays located under the control panel. Ensure that they are clean and connected. Make sure that wire terminal ends have not been pushed out of the relay block.





ALL WIRING SHALL BE DONE IN ACCORDANCE WITH THE FOLLOWING:

ELECTREX, INC.
 MONTICELLO, MS

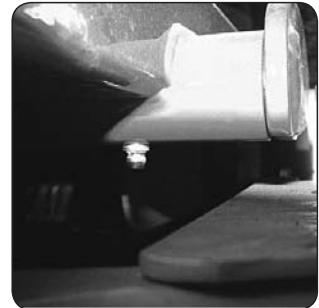
CUSTOMER: _____ DATE: _____
 ORDER P/N: _____ REVISED: _____
 DRAWING TITLE: _____
 ORDER P/N: _____
 P. L. G. L. REVISION: A
 DRAWN BY: _____ DATE: 5/24/79

SECTION 5: FRAME

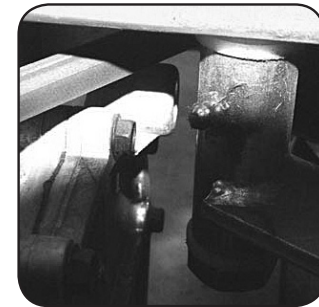
Torque rear wheel lugs to 65-75 ft.lbs. Retorque at every oil change. (All models)



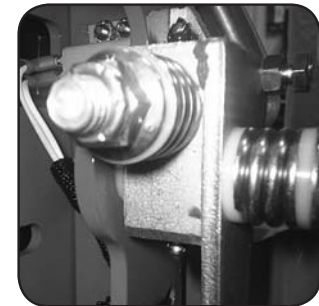
There is one grease fitting on each of the actuator bar pillow blocks (Total of 4). Grease twice a season.



The pump belt tensioner is located under the engine and has a grease fitting at its pivot point. Grease at every engine oil change.



The deck belt tensioner is located at the rear of the deck and has a grease fitting on its pivot point. Grease at every engine oil change.



The control arm blocks have grease fittings located on the top and bottom of each block. Grease one time a year.

Grease fittings on MZ model total – 10

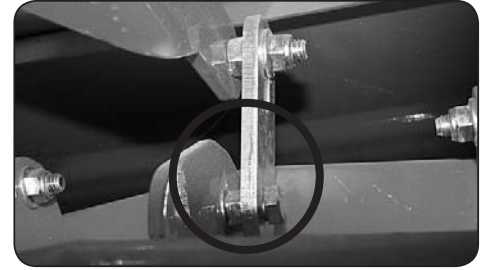
SECTION 6: CUTTING DECK

To remove the deck belt, lift up on the belt while rotating the pulley to roll the belt up and off of the pulley. (be sure not to get your fingers between belt and pulley). To check the level of the deck, start on a flat surface and set the air pressure in all four tires. Raise the deck up, and measure all four corners of the deck to see if it is level from left to right and front to back. All decks should be level from left to right and have a 1/8" pitch down in the front.





If deck adjustments are necessary, the deck hanger bolts have adjustable slots. These adjusters affect the overall height of the deck and the level from left to right.



The deck spring tension is critical. If the tension is too much, it will cause the spring to break. If too loose, the belt can jump off or slip on the pulleys and cause a cut quality issue. With the deck up, the spring coil gap should be about .025" - .030" (about the thickness of a credit card). Spring tension adjustments can be made by sliding the bolt shown above forward or backward in the slot of the deck.

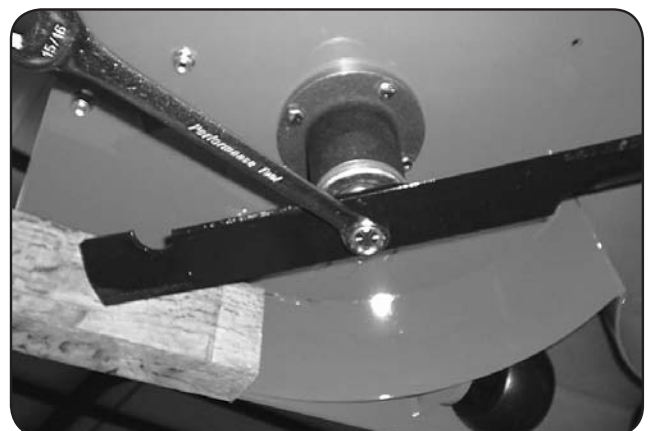


The condition of the blades can drastically affect the cut quality of the mower deck. Replace as necessary. These blades were used considerably too long. Resharpener is recommended by professionals only to determine when the blade needs to be replaced and because of the need for rebalancing.



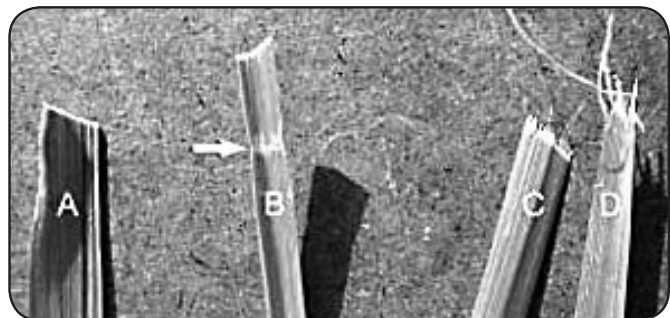
To change blades, it may be easier to use a piece of wood to keep the blade from turning so that the bolt can be loosened. Retorque the blade bolts to 90-110 .lbs.

The blade spindles contain a sealed ball bearing in the top and bottom of the spindle. The bearings are replaceable for a more cost effective repair.



MOWING TIPS:

- Mow header strips at the ends of the lawn and around flower beds first. Make them wide enough that you can turn the mower around in the already mown section. Then mow back and forth between these header strips overlapping each lap by about 1/8 the width of the mower's deck.
- Don't cut your grass too short, particular for cool season grasses. Higher heights usually provide for a deeper root system, looks better, and is less likely to have weeds invading, particularly crabgrass.
- Don't remove any more than one third of the grass leaf at any one cutting. If circumstances arise that a lawn gets too tall and you just have to lop off a bunch to get caught up, bite the bullet and break it down into several mowings to get caught up with 3 or so days between cuttings.
- **NEVER SCALP YOUR LAWN.** Scalping severely damages the root system to such a degree that it may die.
- Avoid mowing when the grass is wet or when it's dark
- Avoid throwing grass clippings into the street and driveway where they can be washed into the sewer system. After mowing, clean up driveway and walkways.
- When mowing remove only a third with each cutting (except for the first mowing of the season when it's ok to remove more). You can safely leave clippings that will quickly decompose and add nutrients back into the soil. Contrary to popular opinion, grass clippings do not add to thatch buildup. Grass blades are made up of about 75% water.
- Mow your lawn in a different direction with each mowing, especially with lawns of shorter grass types. Altering the direction ensures a more even cut since grass blades will grow more erect and less likely to develop into a set pattern.
- Keep your mower's blade sharp, which means having it sharpened several times during the mowing season. Keep several blades around so you'll always have a sharp one on hand. Sharp blades cut the grass cleanly and help mulch clippings into small pieces which break down quickly.
- Don't forget to change your mower's oil at least once during the mowing season. For brand new mowers, change the oil after about 5 hours of operation during the initial break-in period.
- At the end of the mowing season use a fuel stabilizer in the remaining gasoline
- In the spring, don't use that old gas unless you properly used a fuel stabilizer, it can cause a number of problems. Better to use fresh gasoline to begin the new mowing season.
- **Leaf blade A** demonstrates what a leaf blade should look like after mowing with a sharp blade.
- **Leaf blade B** demonstrates a leaf blade that was injured by a dull mower blade.
- **Leaf blade C** was cut by the mower but indicates that the mower blade is not sharp enough. The shredded white tissue protruding from the leaf blades C and D is the vascular tissue of the plant.
- **Leaf blade D** has been mown for quite some time with a dull mower blade.



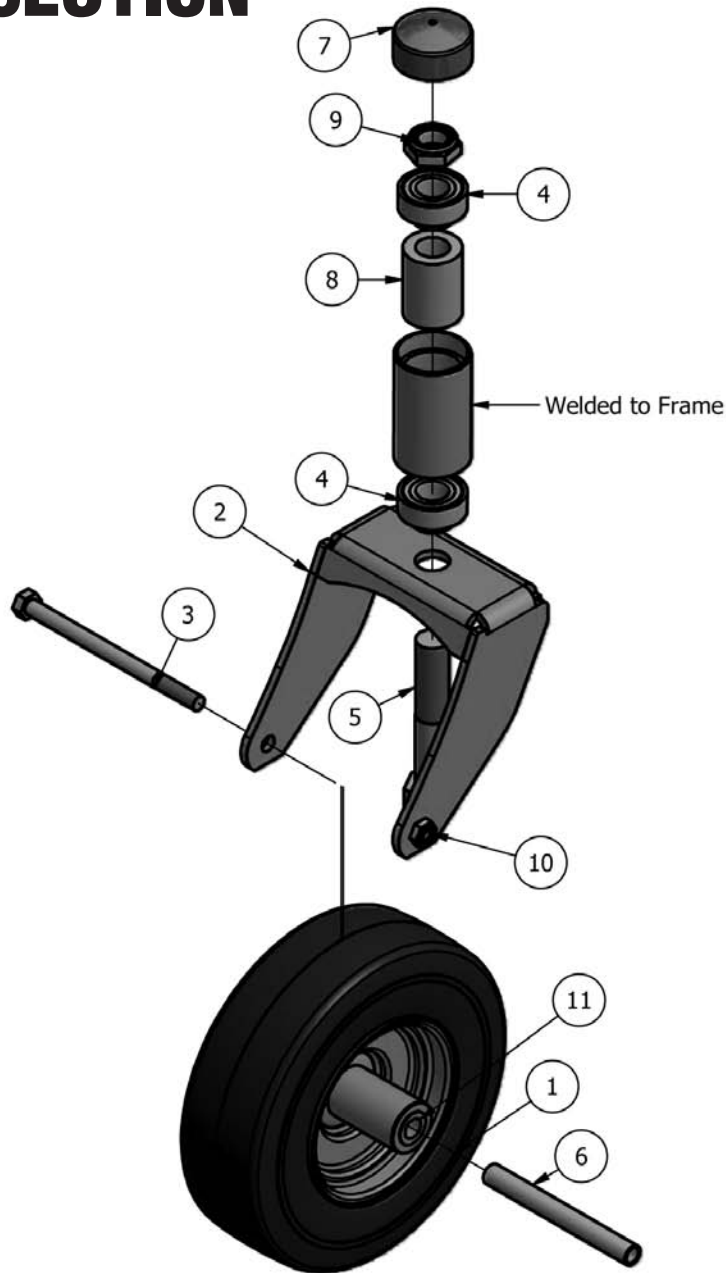
To bag or mulch?

Grass clippings do not contribute to thatch buildup or increase the chances of disease. If you mow your lawn at the right height, without removing any more than 1/3 of it's total height, clippings will quickly breakdown without a trace. These clippings contribute additional nitrogen and other nutrients to the soil and supply it with additional organic materials. Clippings from a 1000 sq. ft. lawn can add as much as 1 - 2 pounds of nitrogen back into the soil.

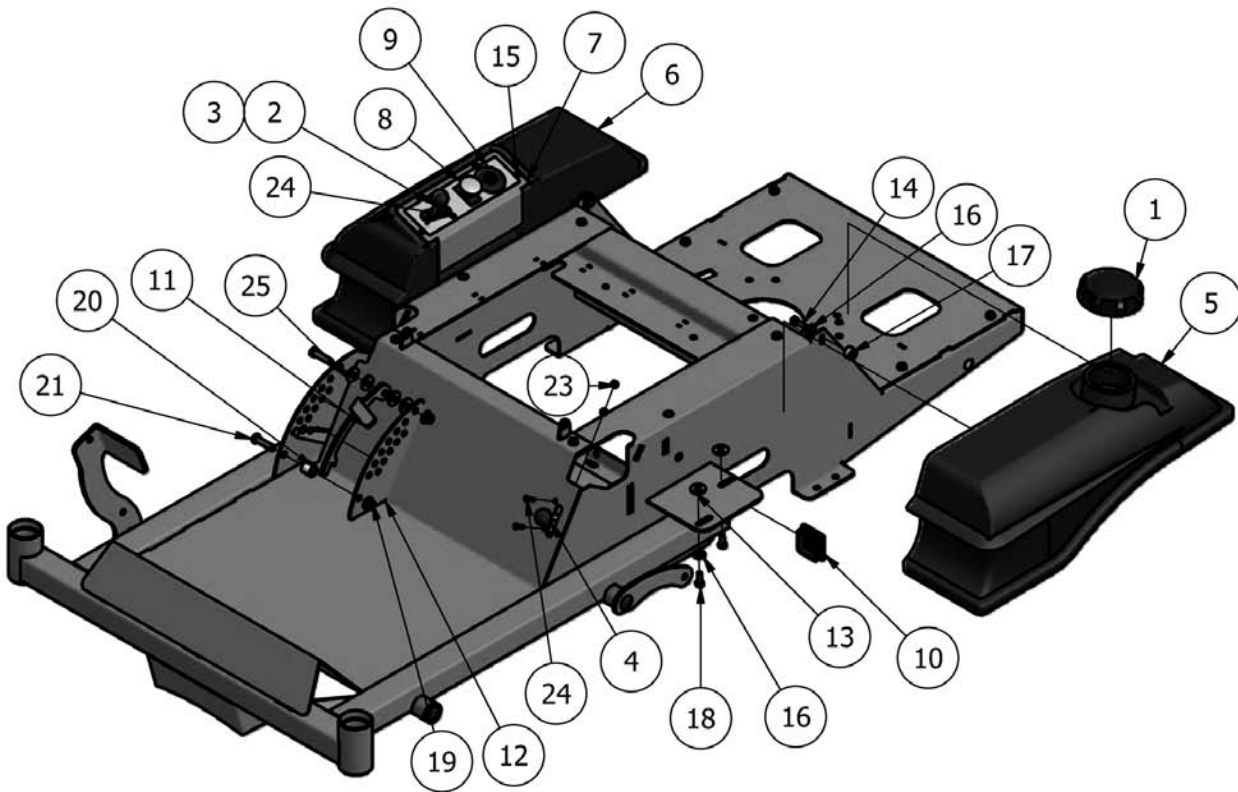
If you have a compost pile, then you may want to bag your clippings occasionally to add much needed green-matter to the compost pile. Make sure it is mixed thoroughly with brown matter to avoid a strong ammonia odor. **DO NOT COMPOST CLIPPINGS** after applying any weed control or weed-feed type product. Before adding clippings to the compost pile wait at least 3 mowings after these products have been applied.



PARTS SECTION

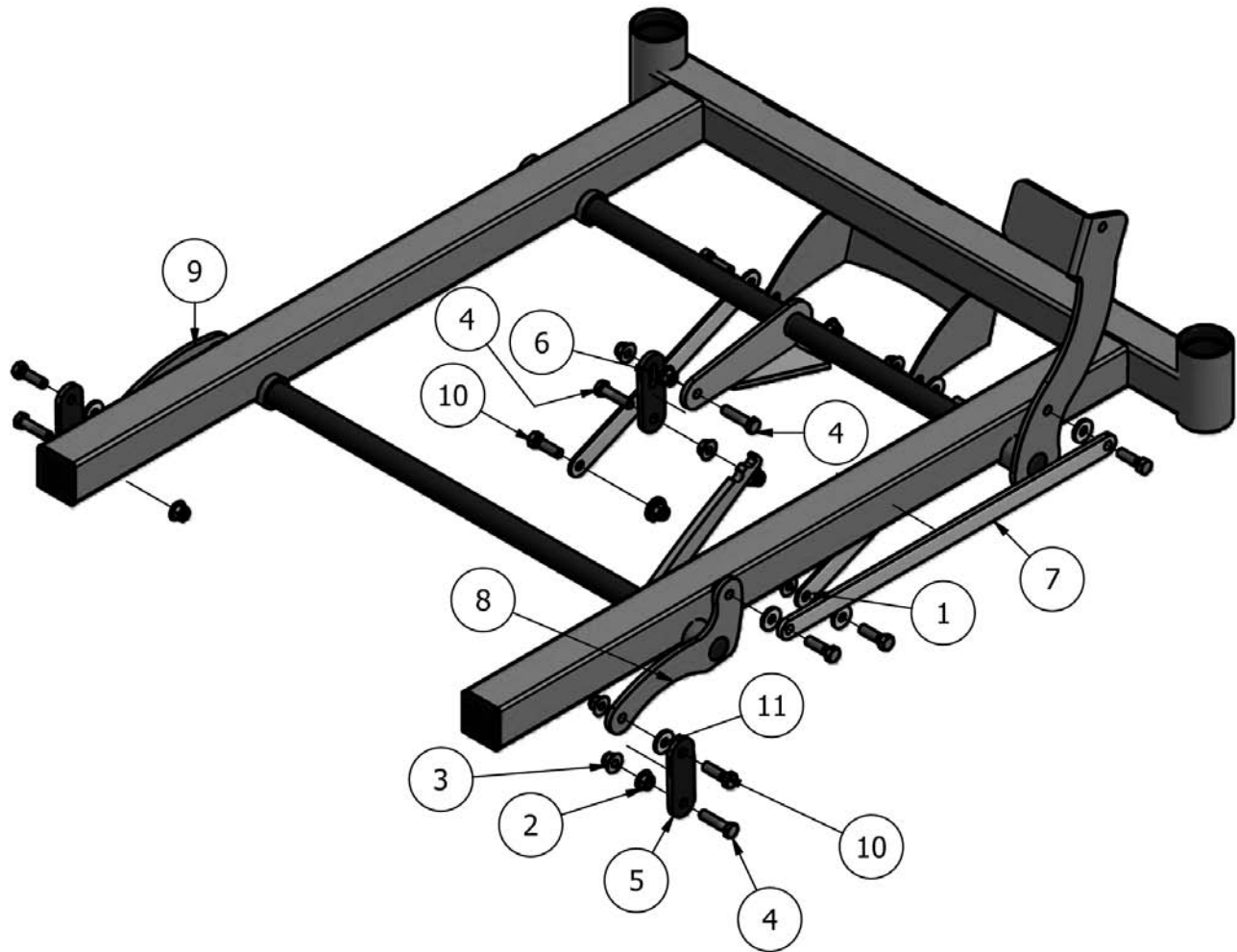


Parts List			
ITEM	QTY	PART NUMBER	DESCRIPTION
1	1	022-8049-00	11 x 6.00 - 5 Front tire (Smooth) & Wheel Assembly
2	1	023-1000-00	Front Fork
3	1	018-0004-00	1/2 x 7 Hex Bolt Grade 5
4	2	010-2000-00	Bearing Caster
5	1	018-0005-00	1-14 x 5 Hex Bolt Grade 8 Zinc Yellow
6	1	025-0008-00	Front Wheel Spanner
7	1	014-2050-00	Rubber Bearing Cap
8	1	025-0005-00	MZ Caster Bearing Spacer
9	1	013-9004-00	1-14 Nylock Jam Nut
10	1	013-6052-00	1/2-20 Nylon Insert Jam Locknut Zinc Orange Zinc
11	2	022-7009-00	Wheel Bearing MZ

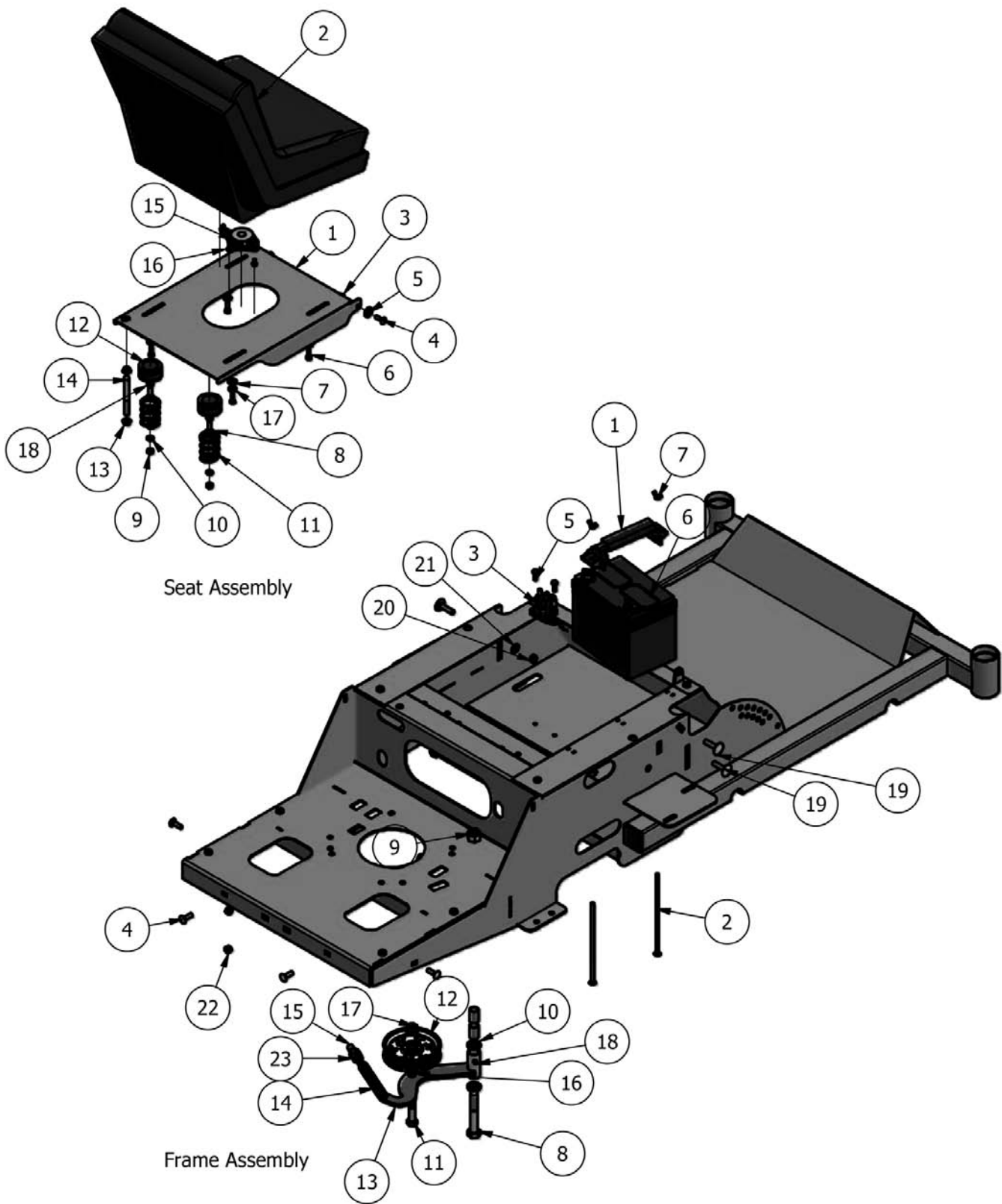


Parts List

ITEM	QTY	PART NUMBER	DESCRIPTION
1	1	066-8076-00	Fuel Cap
2	1	055-3000-00	Throttle Lever W/Choke For Kawasaki
3	1	055-3021-00	Throttle Lever W/Choke for Briggs
4	1	064-8057-00	Brake Lever
5	1	067-2000-00	3 Gallon Fuel Tank
6	1	067-2001-00	Fender Console
7	1	079-0050-00	MZ Control Panel
8	1	056-8058-00	PTO Engager
9	1	077-8076-00	Ignition Switch
9A	1	042-9000-00	Ignition Key
10	2	014-9000-00	2x2 Square Plug
11	1	031-1050-00	Deck Level Lock
12	1	026-2020-00	MZ Height Indicator Plate
13	8	019-6042-00	.360ID Plastic Washer
14	2	018-2007-00	5/16-18 x 1 Grade 5 Hex bolt Zinc
15	4	018-2010-00	10-32 x 3/8 Button Socket C/S 18-8 SS
16	6	019-8051-00	5/16 Lock Washer Zinc
17	2	025-2025-00	MZ Tank Spacer
18	4	018-8063-00	5/16-18 x 3/4 Grade 5 Hex bolt Zinc
19	2	013-5202-00	3/8 Nylock Flange Nut
20	1	025-5203-00	3/4OD x 1/2ID x 3/4 Spacer
21	2	018-6012-00	3/8-16 x 1-1/2 GR5 Hex Bolt
23	4	013-5019-00	10-24 Nylon Insert Locknut Zinc Orange Nylon
24	4	018-5200-00	10-24 x 5/8 Button Socket C/S 18-8 SS
25	12	019-2073-00	.39 Plastic Washer



Parts List			
ITEM	QTY	PART NUMBER	DESCRIPTION
1	2	031-1010-00	MZ Front Arms
2	4	013-5201-00	3/8-16 Hex flange Nut Zinc w/Serrations
3	12	013-5202-00	3/8 Nylock Flange Nut
4	4	018-6012-00	3/8-16 x 1-1/2 GR5 Hex Bolt
5	2	025-0010-00	Deck Spacer (Rear)
6	1	025-0020-00	Deck Spacer (Front)
7	1	028-0050-00	Deck Linkage Rod
8	1	031-1020-00	MZ Deck Pivot Lever Right Side
9	1	031-1030-00	MZ Deck Pivot Support Left Side
10	8	018-5040-00	3/8-16 x 1-1/4 GR 5 Hex Bolt Zinc
11	8	019-2073-00	.360 ID Plastic Washer



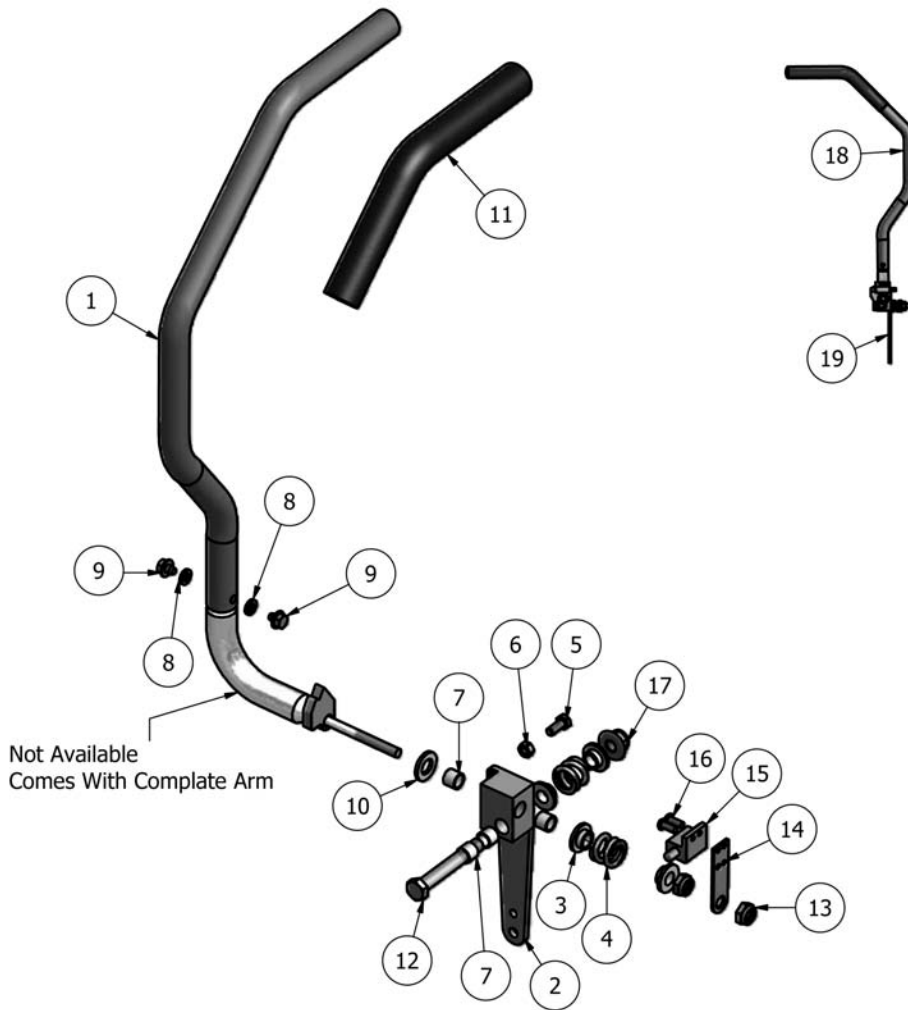


Frame Assembly Parts List

Parts List			
ITEM	QTY	PART NUMBER	DESCRIPTION
1	1	043-8929-00	Battery Hold Down
2	2	018-8050-00	1/4-20 x 8 Carriage Bolt Zinc
3	1	108-5349-00	Solenoid
4	4	018-8065-00	5/16-18 x1" Carriage bolt
5	4	018-8052-00	1/4-20 x 3/4 Grade 5 Hex bolts Zinc
6	1	068-2000-00	Battery (MZ)
7	2	013-8051-00	1/4-20 Wing Nut Zinc
8	1	018-5311-00	5/8-11 X 4 GR 5 Hex Bolts Zinc
9	1	013-7021-00	5/8-11 Nylon Insert Locknut Zinc Orange Nylon
10	2	019-6017-00	.630 ID X 1.122 OD X .142 THK Flat Washer Nylon
11	1	018-6036-00	1/2 x 2-1/2 Hex Bolt
12	1	033-6001-00	4-3/4 Idler Pulley
13	1	039-7000-00	MZ Idler Arm Bracket
14	1	034-9050-00	Deck Idler Spring MZ
15	1	018-2004-00	Spring Tensioner All Thread Stud
16	2	025-5203-00	3/4OD x 1/2ID x 3/4 Spacer
17	1	013-8050-00	1/2-13 Nylon Insert Flange Nut Zinc Orange Nylon
18	1	024-6034-00	1/4" Drive in Grease Fitting
19	4	018-4706-00	3/8 x 1-1/2 Carriage Bolt
20	4	013-6014-00	3/8-16 Hex Nuts Zinc
21	4	019-5029-00	3/8 USS Flat Washer Zinc
22	4	013-8047-00	5/16-18 Nylon Insert Locknut Zinc Orange Nylon
23	2	613-7018-00	1/2-13 Hex Nuts Zinc

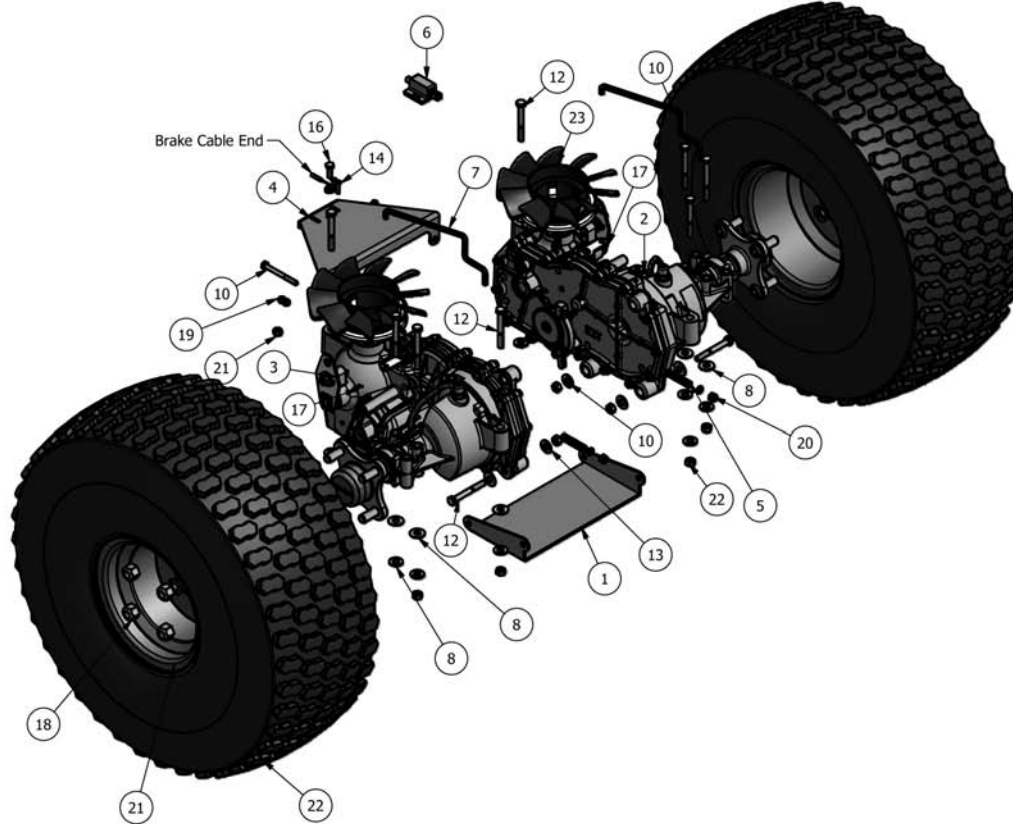
Seat Assembly Parts List

Parts List			
ITEM	QTY	PART NUMBER	DESCRIPTION
1	1	026-2010-00	MZ Seat Plate
2	1	071-8095-00	Gray Bucket Seat with no Arms/Sides
3	2	013-8049-00	5/16-18 Nylon Insert Flange Nut Zinc Orange Nylon
4	2	018-8065-00	5/16-18 x 1 Carriage Bolts Zinc
5	2	019-6042-00	.360ID Plastic Washer
6	4	018-2007-00	5/16-18 x 1 Grade 5 Hex bolt Zinc
7	4	019-8044-00	5/16 USS Flat Washer Zinc
8	2	019-5029-00	3/8 USS Flat Washer Zinc
9	2	013-6014-00	3/8-16 Hex Nuts Zinc
10	2	019-5037-00	3/8 Lockwasher Zinc
11	2	034-8045-00	Seat Spring
12	2	014-8047-00	Seat Bumper
13	2	013-5300-00	1/2-13 Hex flange Nut Zinc w/Serrations
14	1	044-4000-00	Seat Post
15	1	071-8061-00	Seat Saftey Switch
16	2	030-7041-00	1/4-20 x 1/2 Hex Washer Head Bolt Slot Type
17	4	019-8051-00	5/16 Lock Washer Zinc
18	2	018-5040-00	3/8-16 x 1-1/4 GR 5 Hex Bolt Zinc



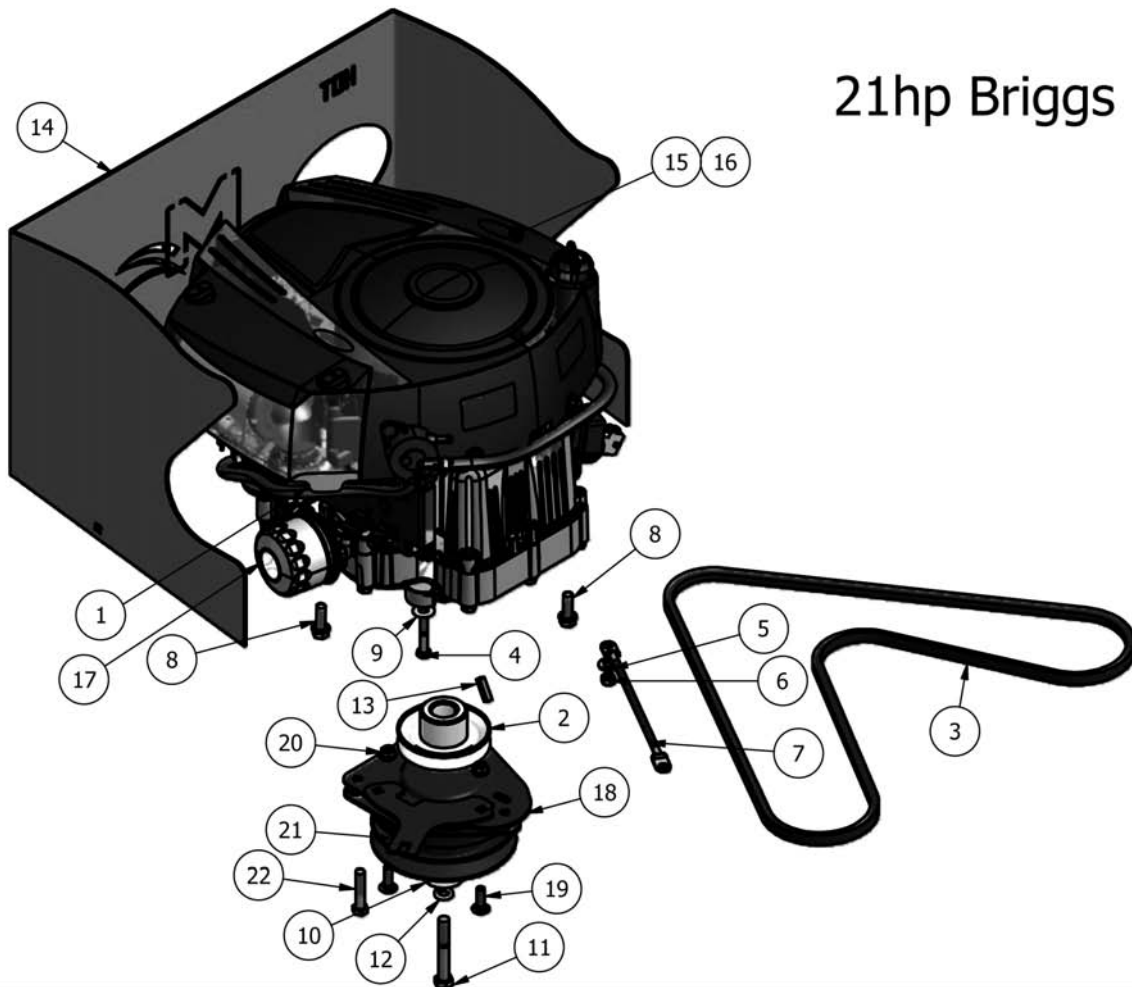
Parts List

ITEM	QTY	PART NUMBER	DESCRIPTION
1	1	031-8821-00	Direction Steering Arm (Left)
2	1	027-9000-00	Drive Arm Lever Housing (Left)
3	4	019-8027-00	.515 ID Nylon Shoulder Washer
4	2	034-8025-00	Drive Lever Spring
5	1	018-8063-00	5/16" x 3/4" Hex Bolt
6	1	013-8043-00	5/16" Nut
7	5	032-8024-00	.507 ID Nylon Bushing
8	2	019-8051-00	5/16" Lock Washer
9	2	018-2007-00	5/16" x 1/2" Flange Bolt
10	1	019-6017-00	.635 ID Plastic Washer
11	1	069-4007-00	Rubber Grip
12	1	018-2018-00	1/2 x 3 1/2 Flange Bolt Grade 8
13	2	013-6052-00	1/2" Nylock Jam Nut
14	1	039-0021-00	Switch Bracket
15	1	077-8073-00	Safety Switch
16	2	018-1070-00	1/4 x 3/8 Buttonhead Bolt
17	1	013-8050-00	1/2-13 Nylon Flange Nut-Orange
18	1	031-8822-00	direction Steering Arm (Right)
19	1	027-9001-00	Drive Arm Lever Housing (Right)



Parts List			
ITEM	QTY	PART NUMBER	DESCRIPTION
1	1	201-2020-00	Trans Axle Support Lower
2	1	050-4000-00	EZT - Right
3	1	050-4050-00	EZT (Left)
4	1	039-1124-00	Brake Lock Bracket
5	2	034-3050-00	Brake Spring
6	1	077-8073-00	Safety Switch
7	2	028-0060-00	MZ Brake release Lever
8	12	019-8051-00	5/16 Lock Washer Zinc
9	4	018-0003-00	5/16-18 X 2-3/4 Hex Bolt - Grade 5
10	8	018-5344-00	5/16 x 2 1/2 Bolt
11	12	019-8044-00	5/16 USS Flat Washer Zinc
12	2	618-1075-00	1/4-20 x 2-1/2 Grade 5 Hex bolts Zinc
13	2	019-4008-00	1/4 LockWasher Zinc
14	2	018-8057-00	10-24 x 3/4 Button Socket C/S 18-8 SS
15	2	013-5019-00	10-24 Nylon Insert Locknut Zinc Orange Nylon
16	1	018-8052-00	1/4-20 x 3/4 Grade 5 Hex bolts Zinc
17	2	025-2025-00	Cotter Pin
18	8	013-3000-00	Acorn Lug Nut
19	3	013-8073-00	1/4-20 Nylon Insert Locknut Zinc Orange Nylon
20	12	013-8043-00	5/16-18 Hex Nuts Zinc
21	2	022-8050-00	18 x 9.5-8 Tire and Wheel Assembly 48" Deck Only
22	2	022-2050-00	18 x 8.5-8 Tire and Wheel Assembly 42" Deck Only
23	2	050-4502-00	Fan for MZ Transaxle
24	2	022-8026-00	Rear Rim for 48"
25	2	022-8028-00	Rear rim for 42"
26	2	022-8025-00	18x9.50-8 48" Rear Tire Only
27	2	022-8027-00	18x8.50-8 42" Rear Tire Only

21hp Briggs

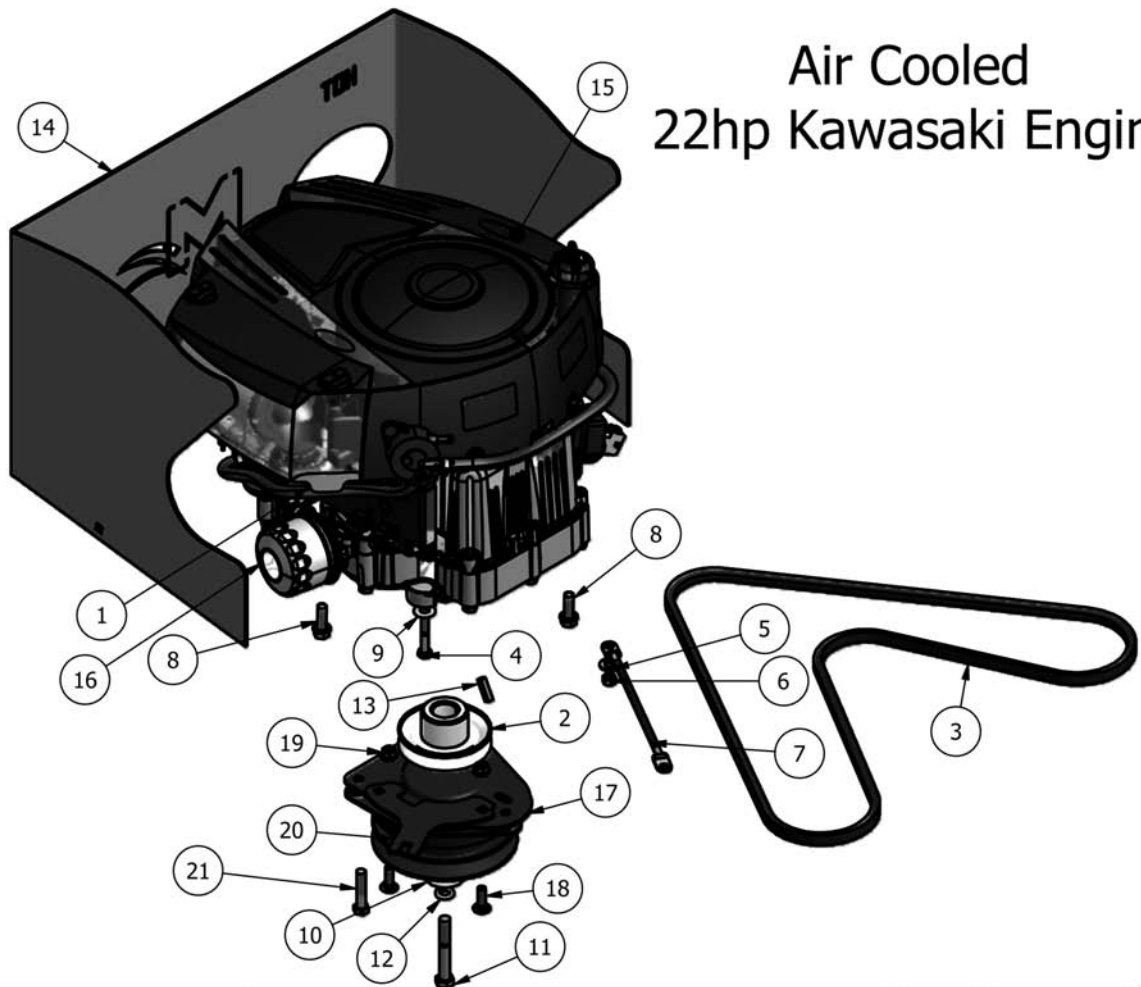


Parts List

ITEM	QTY	PART NUMBER	DESCRIPTION
1	1	015-0021-00	21Hp Briggs Intek
2	1	033-2010-00	3-3/4" Motor Pulley
3	1	041-6400-00	Pump Belt
4	1	018-1010-00	3/8 x 3 1/2 Grade 5 Hex Bolt
5	1	019-8051-00	5/16 Lock Washer Zinc
6	1	013-8043-00	5/16-18 Hex Nuts Zinc
7	1	064-0030-00	Ground Cable
8	3	018-5051-00	3/8 x 1-1/8 Hex Washer Head Engine Bolt
9	1	019-8044-00	5/16 USS Flat Washer Zinc
10	1	019-6019-00	Spring Blade Cupped Washer
11	1	018-0006-00	MZ Crank Shaft Bolt
12	1	019-8053-00	7/16 Lock Washer Zinc
13	1	042-6030-00	1/4" x 1" Key
14	1	026-0100-00	Engine Rear Plate
15	1	063-4026-00	Air Filter 21Hp MZ
16	1	063-4027-00	Air Filter Precleaner for 21hp
17	1	063-4025-00	Oil Filter 21Hp MZ
18	1	070-3000-00	clutch
19	2	018-8065-00	5/16" x 1" Carriage Bolt
20	2	013-9002-00	5/16" Flange Nut
21	1	057-5920-00	clutch Holder
22	1	018-1010-00	3/8-16 x 3 1/2 Hex Bolt (Clutch Stop)

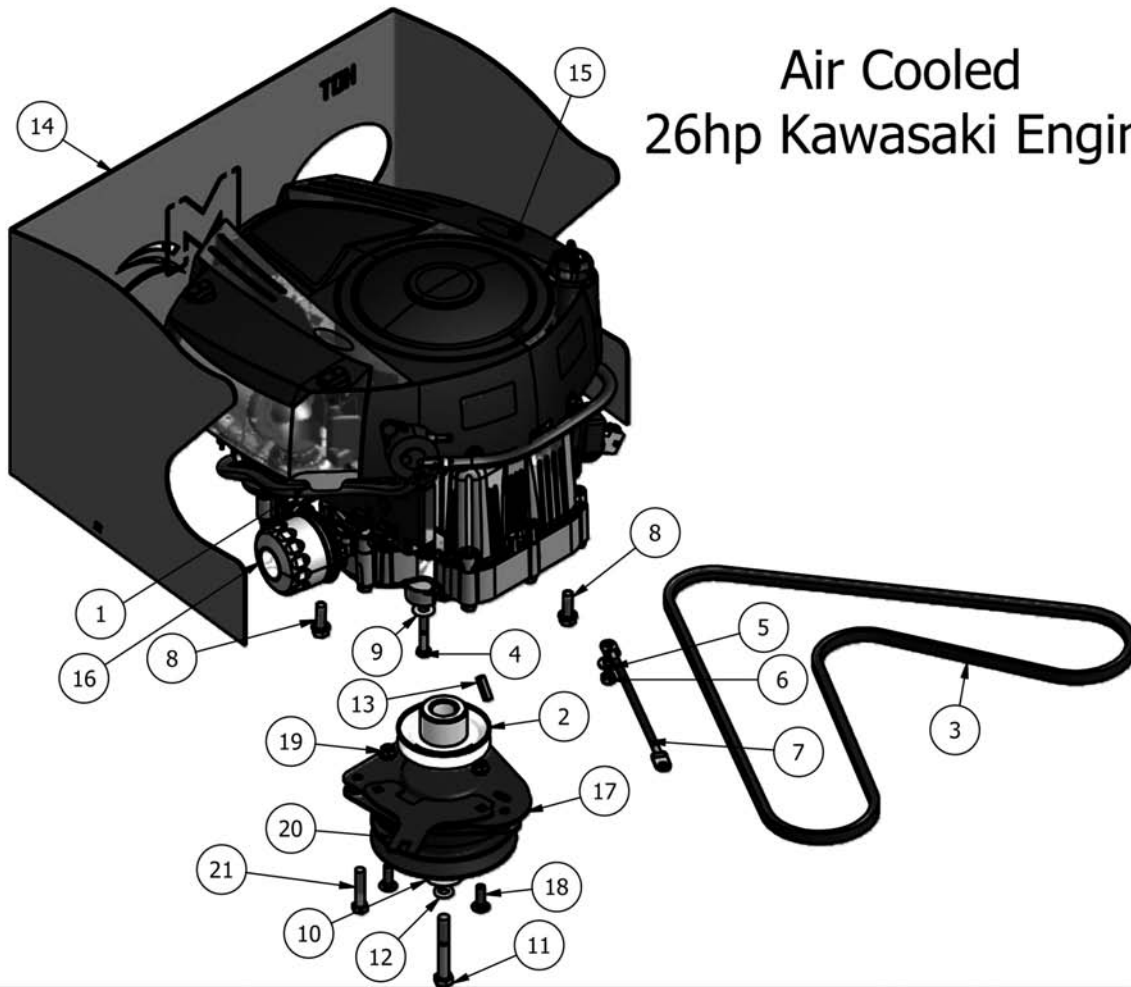


Air Cooled 22hp Kawasaki Engine



Parts List			
ITEM	QTY	PART NUMBER	DESCRIPTION
1	1	015-0022-00	22 hp Kawasaki
2	1	033-2010-00	3-3/4" Motor Pulley
3	1	041-6400-00	Pump Belt
4	1	018-1010-00	3/8 x 3 1/2 Grade 5 Hex Bolt Clutch Stop
5	1	019-8051-00	5/16 Lock Washer Zinc
6	1	013-8043-00	5/16-18 Hex Nuts Zinc
7	1	064-0030-00	Ground Cable
8	3	018-5051-00	3/8 x 1-1/8 Hex Washer Head Engine Bolt
9	1	019-8044-00	5/16 USS Flat Washer Zinc
10	1	019-6019-00	Spring Blade Cupped Washer
11	1	018-0006-00	MZ Crank Shaft Bolt
12	1	019-8053-00	7/16 Lock Washer Zinc
13	1	042-6030-00	1/4" x 1" Key
14	1	026-0110-00	Engine Rear Plate
15	1	063-2097-00	Air Filter 22Hp MZ
16	1	063-2096-00	Oil Filter 22Hp MZ
17	1	070-3000-00	clutch
18	2	018-8065-00	5/16" x 1" Carriage Bolt
19	2	013-9002-00	5/16" Flange Nut
20	1	057-5920-00	clutch Holder
21	1	018-1010-00	3/8-16 x 3 1/2 Hex Bolt

Air Cooled 26hp Kawasaki Engine

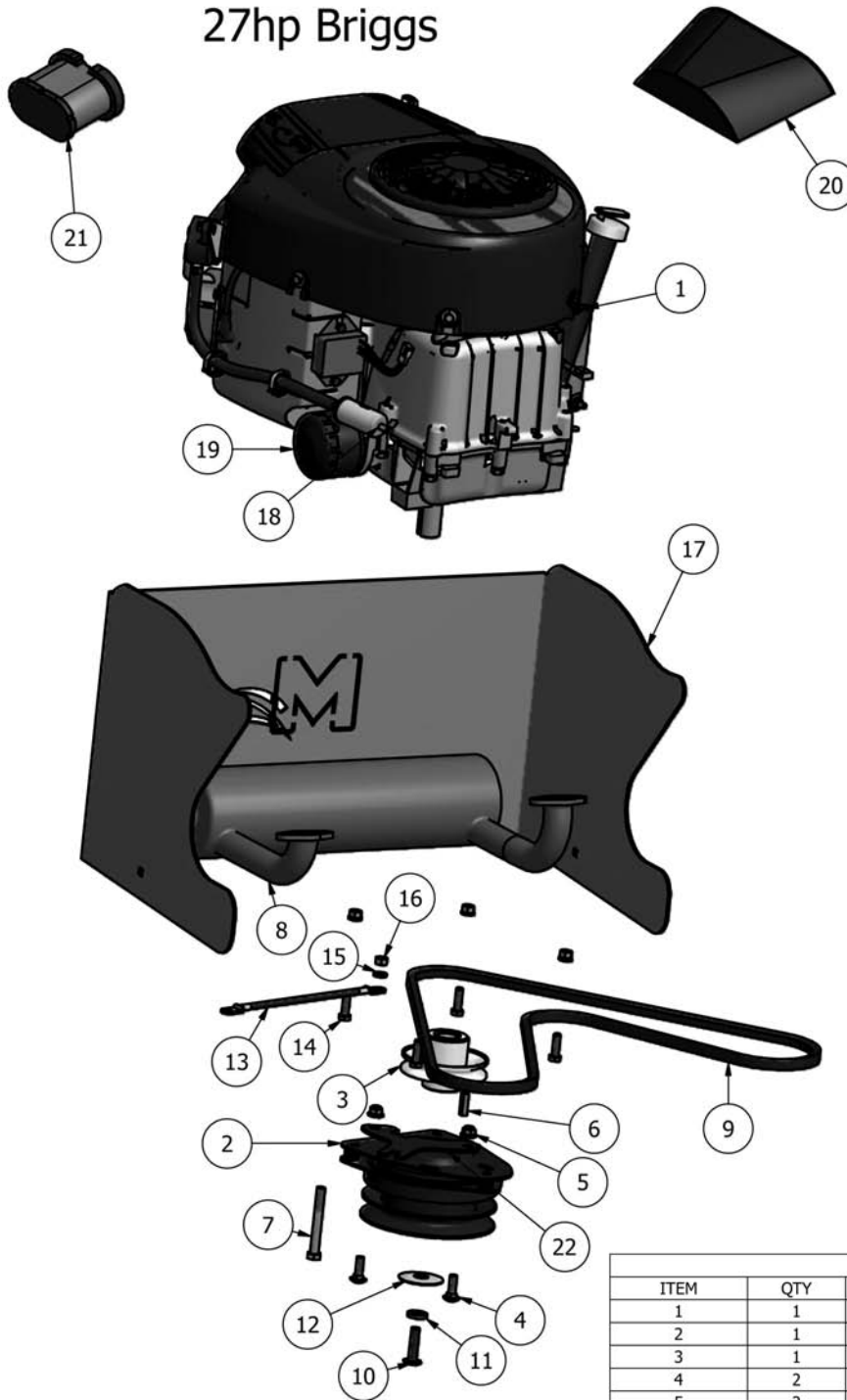


Parts List

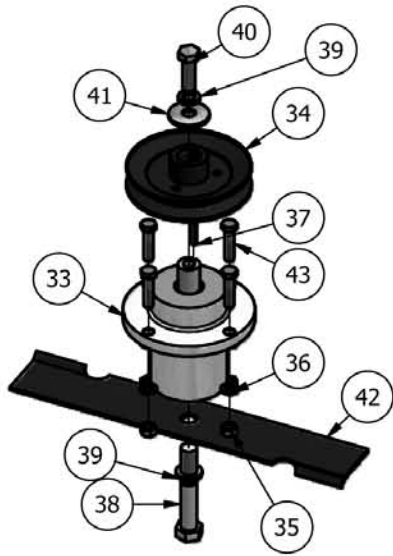
ITEM	QTY	PART NUMBER	DESCRIPTION
1	1	015-0040-00	26 hp Kawasaki
2	1	033-2010-00	3-3/4" Motor Pulley
3	1	041-6400-00	Pump Belt
4	1	018-1010-00	3/8 x 3 1/2 Grade 5 Hex Bolt
5	1	019-8051-00	5/16 Lock Washer Zinc
6	1	013-8043-00	5/16-18 Hex Nuts Zinc
7	1	064-0030-00	Ground Cable
8	3	018-5051-00	3/8 x 1-1/8 Hex Washer Head Engine Bolt
9	1	019-8044-00	5/16 USS Flat Washer Zinc
10	1	019-6019-00	Spring Blade Cupped Washer
11	1	018-0006-00	MZ Crank Shaft Bolt
12	1	019-8053-00	7/16 Lock Washer Zinc
13	1	042-6030-00	1/4" x 1" Key
14	1	026-0110-00	Engine Rear Plate
15	1	063-2097-00	Air Filter 26Hp MZ
16	1	063-2096-00	Oil Filter 26Hp MZ
17	1	070-3000-00	clutch
18	2	018-8065-00	5/16" x 1" Carriage Bolt
19	2	013-9002-00	5/16" Flange Nut
20	1	057-5920-00	clutch Holder
21	1	018-1010-00	3/8-16 x 3 1/2 Hex Bolt (Clutch Stop)



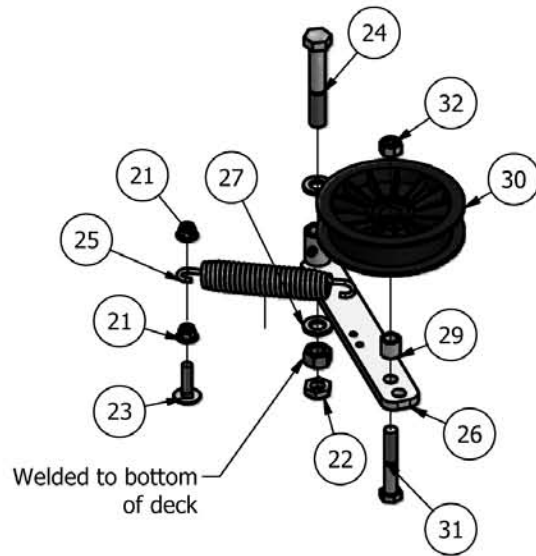
27hp Briggs



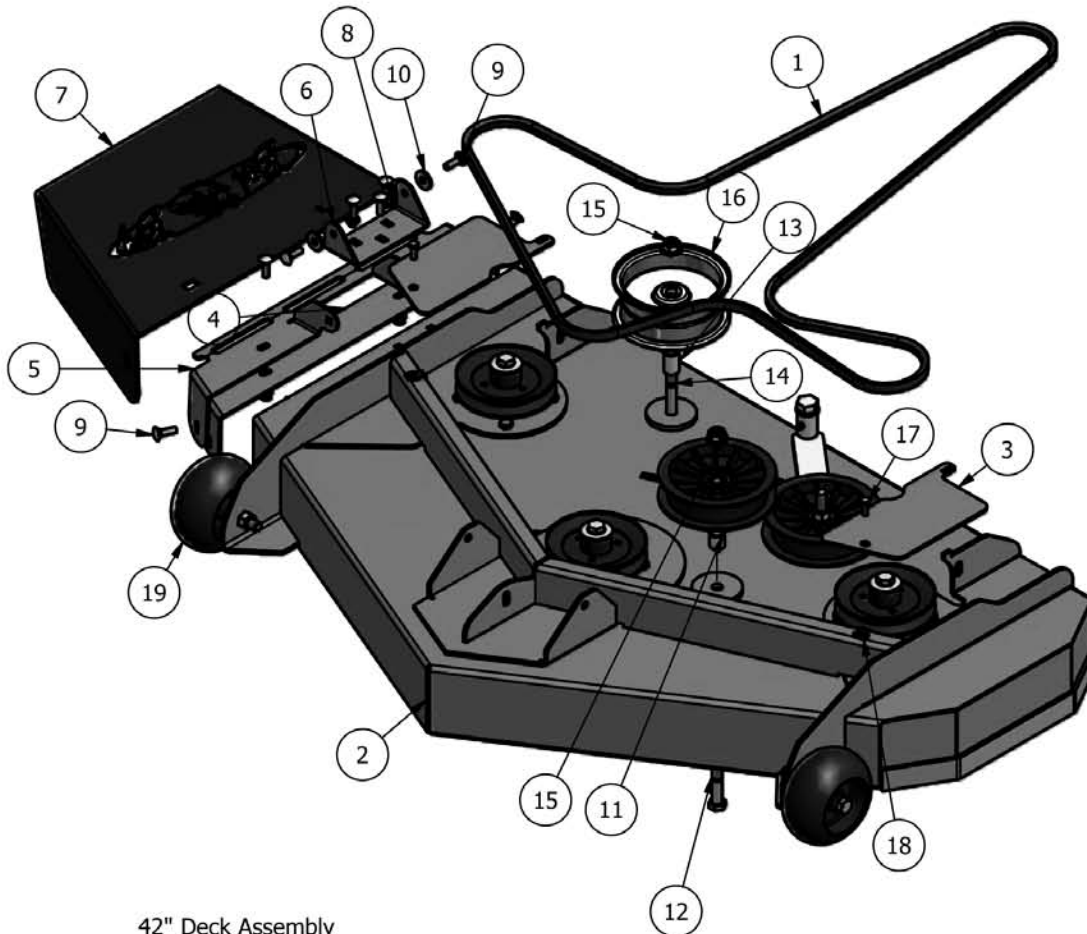
Parts List			
ITEM	QTY	PART NUMBER	DESCRIPTION
1	1	015-3050-00	27hp Briggs Pro Series
2	1	070-3000-00	Clutch
3	1	033-2010-00	3-3/4" Motor Pulley
4	2	018-8065-00	5/16" x 1" Carriage Bolt
5	2	013-8049-00	5/16" Flange Nut
6	1	042-6030-00	1/4" x 1" Key
7	1	018-1010-00	3/8-16 x 3 1/2 Hex Bolt (Clutch Stop)
8	1	015-0002-00	27HP Exhaust
9	1	041-6400-00	Pump Belt
10	1	018-0006-00	MZ Crank Shaft Bolt
11	1	019-8053-00	7/16" Lock Washer
12	1	019-6019-00	Cup Washer
13	1	064-0030-00	Ground Cable
14	4	018-5051-00	3/8 x 1-1/8 Hex Bolt
15	4	019-8051-00	5/16" Lock Washer
16	4	013-8043-00	5/16" Nut
17	1	026-0110-00	Engine Rear Plate
18	1	063-6000-00	Fuel Filter
19	1	063-2004-00	Oil Filter
20	1	015-2702-00	Air Filter Cover
21	1	063-4000-00	Air Filter& Pre-Cleaner 27hp Briggs
22	1	057-5920-00	clutch Holder



Spindle Assembly



Idler Assembly



42" Deck Assembly



42" Deck Parts List

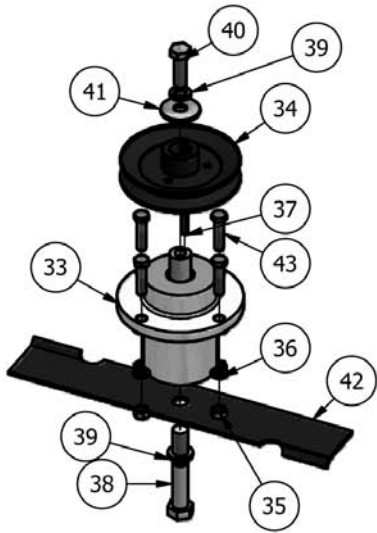
Parts List			
ITEM	QTY	PART NUMBER	DESCRIPTION
1	1	041-0120-00	Deck Belt
2	1	060-2200-00	Mz 42 Deck
3	2	014-4200-00	MZ42 Pulley Cover
4	1	039-4890-00	MZ Discharge Chute Bracket (Bottom)
5	1	039-4891-00	MZ Discharge Chute Bracket (Top)
6	1	206-6020-00	MZ Discharge Chute Hanger
7	1	210-6015-00	Discharge Chute MZ Rubber Only
8	9	013-8049-00	5/16-18 Nylon Insert Flange Nut Zinc Orange Nylon
9	9	018-8066-00	5/16 x 7/8 Carriage Bolt
10	2	019-6042-00	.360ID Plastic Washer
11	2	025-5203-00	Spacer
12	2	018-6054-00	1/2-13 x 3 1/2 GR 5 Hex Bolt
13	1	025-5337-00	1-1/8 Spacer
15	2	013-8050-00	1/2-13 Nylon Insert Flange Nut Zinc Orange Nylon
16	1	033-5001-00	5 3/4" Deck Idler Pulley
17	2	018-8052-00	1/4-20 x 3/4 Grade 5 Hex Bolt
18	2	013-0054-00	1/4-20 Cage Nut
19	2	022-5234-00	Anti-Scalp Rollers
20	2	022-5234-98	Anti-Scalp Rollers Assmly
21	1	210-6015-98	Discharge Chute MZ Assembly

Idler Assembly

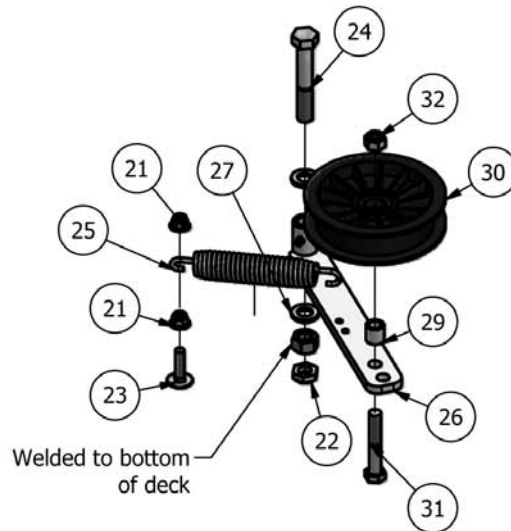
Parts List			
ITEM	QTY	PART NUMBER	DESCRIPTION
21	2	013-5202-00	3/8 Nylock Flange Nut
22	1	013-5301-00	5/8-11 Nylon Insert Jam Locknut Zinc
23	1	018-4706-00	3/8 x 1-1/2 Carriage Bolt
24	1	018-5311-00	5/8-11 X 4 GR 5 Hex Bolts Zinc
25	1	034-2009-00	Deck Idler Spring MZ
26	1	039-6945-00	Deck Idler Bracket MZ
27	2	019-6017-00	.630 ID X 1.122 OD X .142 THK Flat Washer Nylon
28	1	024-6034-00	1/4 Drive-In Grease Fitting
29	1	025-5203-00	3/4 OD x 1/2 ID x 3\4 Length
30	1	033-2000-00	Plastic Idler Pully - MZ
31	1	018-6036-00	1/2 x 2-1/2 Hex Bolt
32	1	013-8050-00	1/2-13 Nylon Flange Nut

Spindle Assembly

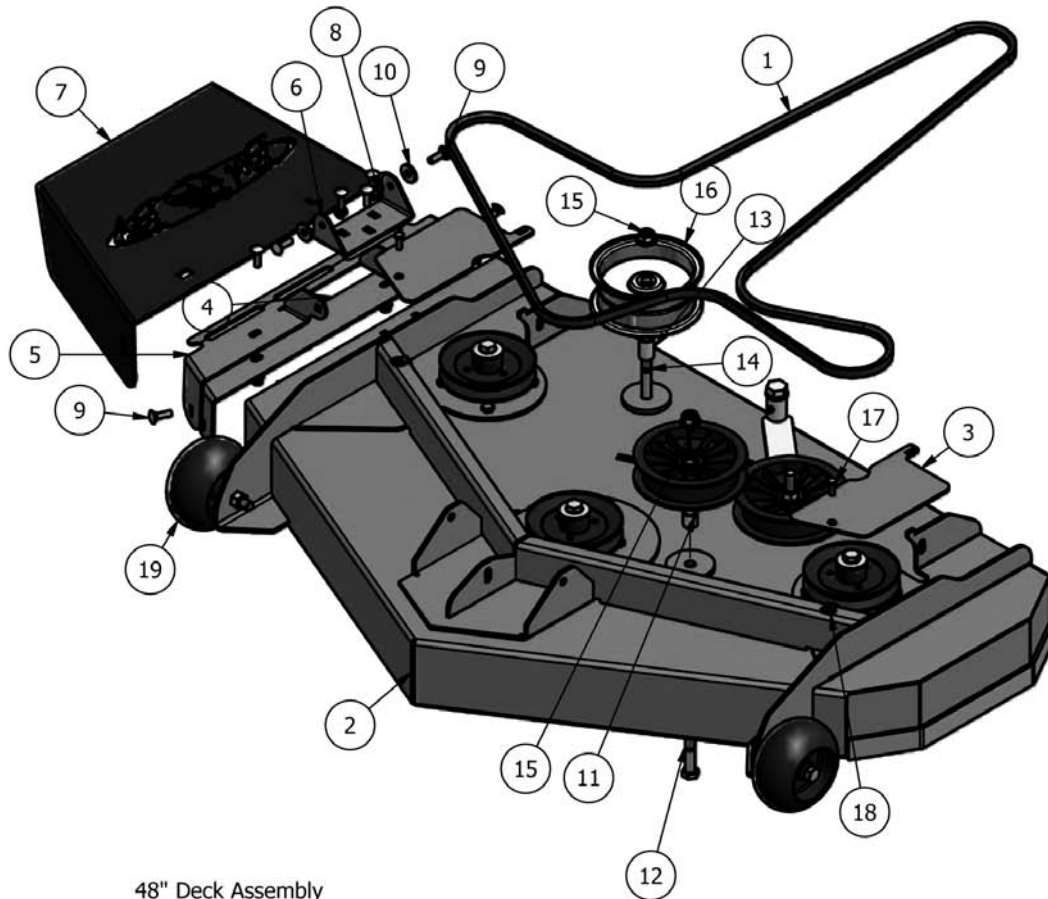
Parts List			
ITEM	QTY	PART NUMBER	DESCRIPTION
33	1	037-2000-00	Spindle MZ Model
34	1	033-4820-00	MZ Deck Pulley
35	4	013-6014-00	3/8-16 Hex Nuts Zinc
36	4	019-5037-00	3/8 Lockwasher Zinc
37	1	042-0010-00	3/16 x 1 Square Key
38	1	018-6020-00	5/8-11 X 4 GR 5 Hex Bolts Zinc
39	2	019-4807-00	5/8 Lock Washer
40	1	019-6019-00	1/2-20 x 1-1/2 Grade 5 Hex Bolt Zinc
41	1	019-6020-00	5/8 Belleville Washer
42	1	038-4221-00	MZ 42 fusion Blade
43	4	018-6012-00	3/8-16 x 1-1/2 GR5 Hex Bolt
44	3	037-6024-00	MZ Spindle Bearing



Spindle Assembly



Idler Assembly



48" Deck Assembly



42" Deck Parts List

Parts List			
ITEM	QTY	PART NUMBER	DESCRIPTION
1	1	041-6027-00	Deck Belt
2	1	060-2100-00	Mz 48 Deck
3	2	014-4850-00	MZ48 Pulley Cover
4	1	039-4890-00	MZ Discharge Chute Bracket (Bottom)
5	1	039-4891-00	MZ Discharge Chute Bracket (Top)
6	1	206-6020-00	MZ Discharge Chute Hanger
7	1	210-6015-00	Discharge Chute MZ
8	9	013-8049-00	5/16-18 Nylon Insert Flange Nut Zinc Orange Nylon
9	9	018-8066-00	5/16 x 7/8 Carriage Bolt
10	2	019-6042-00	.360ID Plastic Washer
11	2	025-5203-00	Spacer
12	2	018-6054-00	1/2-13 x 3 1/2 GR 5 Hex Bolt
13	1	025-5337-00	1-1/8 Spacer
15	2	013-8050-00	1/2-13 Nylon Insert Flange Nut Zinc Orange Nylon
16	1	033-5001-00	5 3/4" Deck Idler Pulley
17	2	018-8052-00	1/4-20 x 3/4 Grade 5 Hex Bolt
18	2	013-0054-00	1/4-20 Cage Nut
19	2	022-5234-00	Anti-Scalp Rollers
20	2	022-5234-98	Anti-Scalp Rollers Assmby
21	1	210-6015-98	Discharge Chute Assembly

Idler Assembly

Parts List			
ITEM	QTY	PART NUMBER	DESCRIPTION
21	2	013-5202-00	3/8 Nylock Flange Nut
22	1	013-5301-00	5/8-11 Nylon Insert Jam Locknut Zinc
23	1	018-4706-00	3/8 x 1-1/2 Carriage Bolt
24	1	018-5311-00	5/8-11 X 4 GR 5 Hex Bolts Zinc
25	1	034-2009-00	Deck Idler Spring MZ
26	1	039-6945-00	Deck Idler Bracket MZ
27	2	019-6017-00	.630 ID X 1.122 OD X .142 THK Flat Washer Nylon
28	1	024-6034-00	1/4 Drive-In Grease Fitting
29	1	025-5203-00	3/4 OD x 1/2 ID x 3/4 Length
30	1	033-2000-00	Plastic Idler Pully - MZ
31	1	018-6036-00	1/2 x 2-1/2 Hex Bolt
32	1	013-8050-00	1/2-13 Nylon Flange Nut

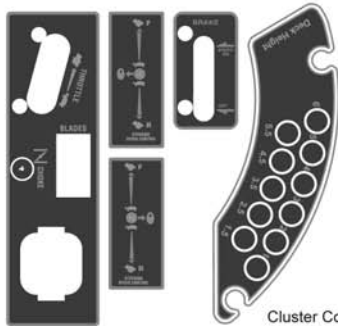
Spindle Assembly

Parts List			
ITEM	QTY	PART NUMBER	DESCRIPTION
33	1	037-2000-00	Spindle MZ Model
34	1	033-4820-00	MZ Deck Pulley
35	4	013-6014-00	3/8-16 Hex Nuts Zinc
36	4	019-5037-00	3/8 Lockwasher Zinc
37	1	042-0010-00	3/16 x 1 Square Key
38	1	018-6020-00	5/8-11 X 4 GR 5 Hex Bolts Zinc
39	2	019-4807-00	5/8 Lock Washer
40	1	019-6019-00	1/2-20 x 1-1/2 Grade 5 Hex Bolt Zinc
41	1	019-6020-00	5/8 Belleville Washer
42	3	038-4826-00	MZ 48 fusion Blade
43	4	018-6012-00	3/8-16 x 1-1/2 GR5 Hex Bolt
44	3	037-6024-00	MZ Spindle Bearing

Bad Boy, Inc.
MZ Mower Decal List



091-1035-00
MZ Bad Boy Front Domed Decal



091-1000-00
MZ Control Decal Cluster

Cluster Contains:
Ignition/Master Control Decal
Left Steer Speed Decal
Right Steer Speed Decal
Brake Decal
Deck Height Decal



091-1030-00
MZ Logo Domed Front Decal



091-1025-00
MZ Logo Rear Decal



091-3310-00
MZ Pro Series 42" Decal



091-3044-00
MZ Pro Series 48" Decal



091-1015-00
MZ 21hp Z Pro Decal



091-3048-00
MZ 26hp Z Pro Decal



091-3309-00
MZ Belt Route Decal



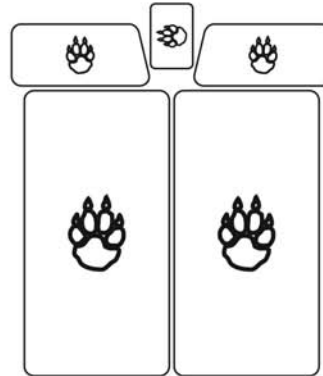
091-3300-00
MZ Operator Warning Decal



091-1010-00
MZ Danger Blade Decal



091-1020-00
MZ Caution Hydraulic Decal



091-1040-00
MZ Floor Panel Cluster

Parts List			
ITEM	QTY	PART NUMBER	DESCRIPTION
1	1	091-1000-00	MZ Control Decal Cluster
2	1	091-1035-00	MZ Bad Boy Front Domed Decal
3	1	091-1030-00	MZ Logo Domed Front Decal
4	1	091-1025-00	MZ Logo Rear Decal
5	1	091-3310-00	MZ Pro Series 42" Decal
6	1	091-3044-00	MZ Pro Series 48" Decal
7	1	091-1015-00	MZ 21hp Z Pro Decal
8	1	091-3048-00	MZ 26hp Z Pro Decal
9	1	091-3309-00	MZ Belt Route Decal
10	1	091-3300-00	MZ Operator Warning Decal
11	1	091-1010-00	MZ Danger Blade Decal
12	1	091-1020-00	MZ Caution Hydraulic Decal
13	1	091-1040-00	MZ Floor Panel Cluster
14	2	091-2200-00	MZ 22hp Z Pro Decal
15	2	091-3020-00	MZ 27hp Z Pro Decal



Bad Boy, Inc.

102 Industrial Drive

Batesville, AR 72501

1.866.622.3269

www.badboymowers.com

Technical Support:

Brad Covington brad.covington@badboymowers.com

Bill Hurst bill@badboymowers.com

Taylor Prince taylor.prince@badboymowers.com

James Russell james.russell@badboymowers.com

Warranty:

Dustin Tissiere dustin@badboymowers.com

Bill Hurst bill@badboymowers.com

Parts:

Brad Foree brad@badboymowers.com

Robert Patterson robert.patterson@badboymowers.com

For additional information, please see us at
www.badboymowers.com

Bad Boy, Inc.
102 Industrial Drive
Batesville, Arkansas 72501
(870) 698-0090